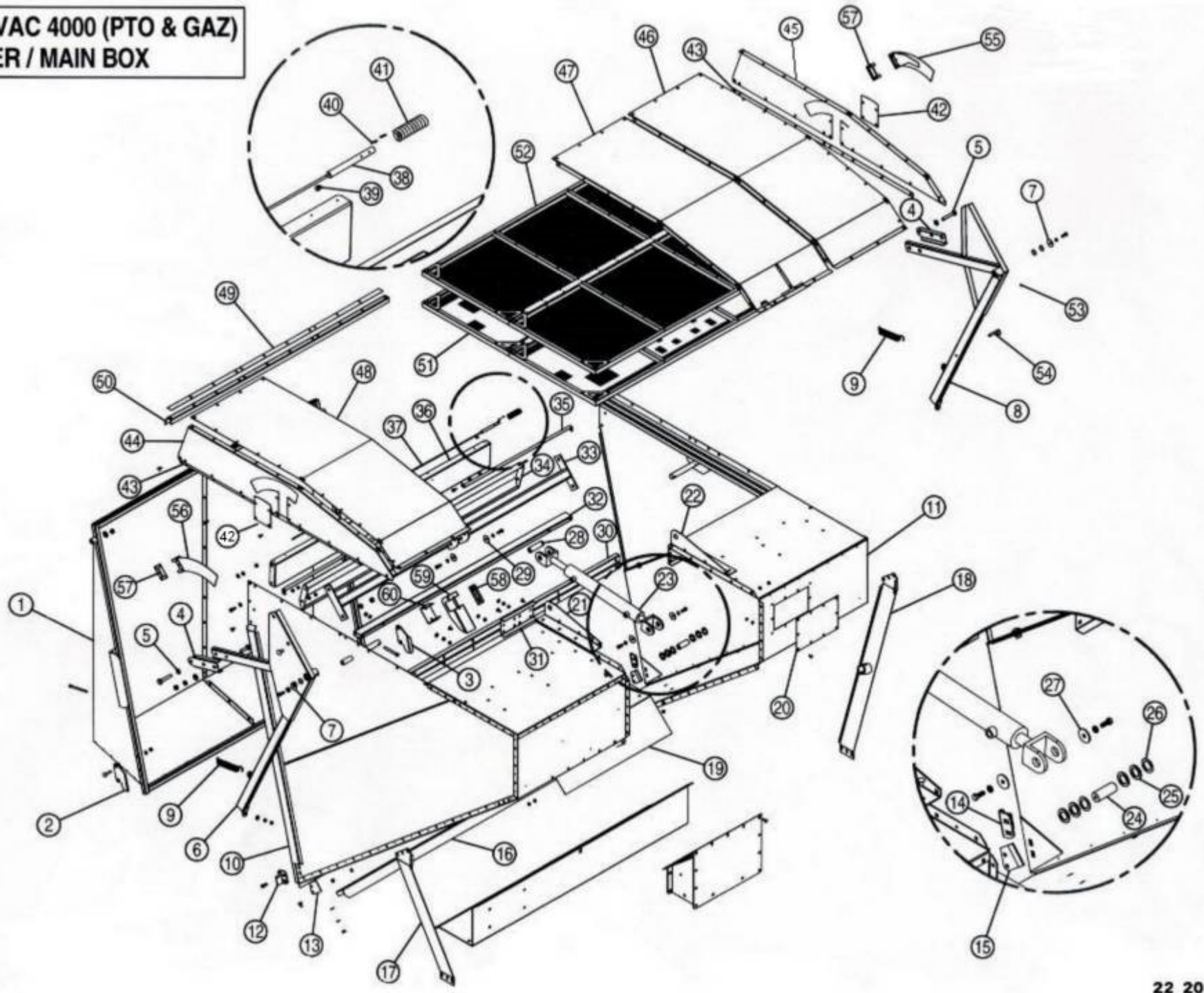


TUFF VAC 4000 (PTO & GAZ)
BOITIER / MAIN BOX



T.V.4000 BOX - 1

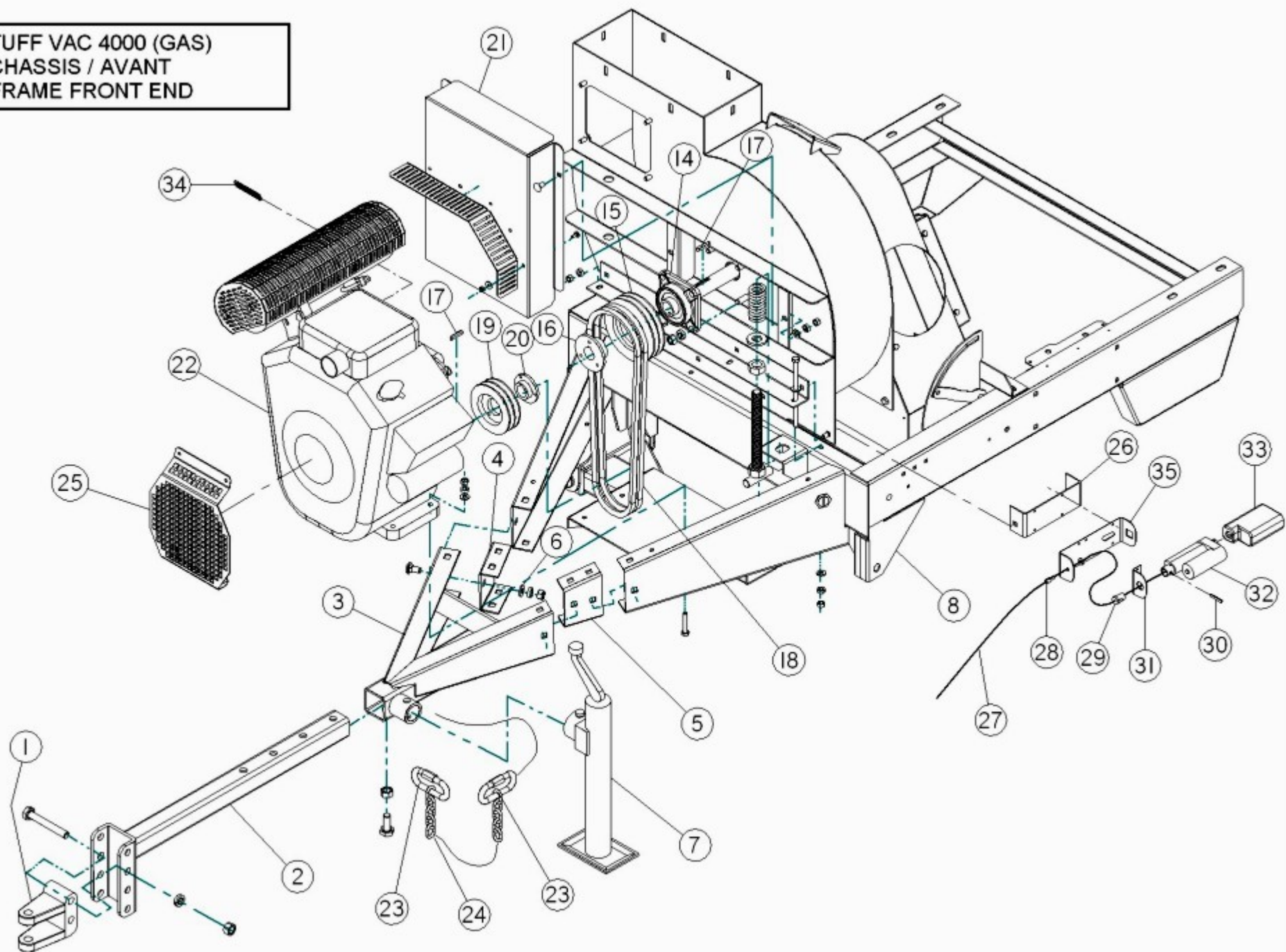
REF.	PART NO.	DESCRIPTION	QTE
1	22-55-0000	BACK DOOR "STICKER INCLUDED"	1
2	22-04-0007	RIGHT DOOR LOCK	1
3	22-04-0005	LEFT DOOR LOCK	1
4	22-01-1170	DOOR SUPPORT	2
5	01-01-0925	FLAT WASHER 1 1/64" Dia. X Ø 33/64" X 10GA	2
6	22-55-0145	RIGHT DOOR ARM TRIANGLE ASSY.	1
N/I	NC13-15-0051	O-RING 1 1/8 Dia. X Ø 7/8" X 1/8"	2
N/I	NC01-69-0785	GREASE FITTING 1/4"-28 (STRAIGHT)	2
7	01-33-0010	FLAT WASHER 1 1/2" Dia. X Ø 25/64" X 11GA	2
8	22-55-0140	LEFT DOOR ARM TRIANGLE ASSY.	1
N/I	NC13-15-0051	O-RING 1 1/8 Dia. X Ø 7/8" X 1/8"	2
N/I	NC01-69-0785	GREASE FITTING 1/4"-28 (STRAIGHT)	2
9	NC13-85-0026	SPRING 1" Dia. X 6" LG	2
10	22-55-0063	RIGHT BOX SIDE (PTO & GAZ) "STICKER INCLUDED"	1
11	22-55-0062	LEFT BOX SIDE (PTO) "STICKER INCLUDED"	1
N/I	22-55-0064	LEFT BOX SIDE (GAZ) "STICKER INCLUDED"	1
12	22-04-0040	RIGTH DOOR LATCH	1
13	22-01-3080	RIGHT DOOR LACTH DEFLECTOR	1
14	22-04-6820	LEFT DOOR LATCH	1
15	22-01-3085	LEFT DOOR LACTH DEFLECTOR	1
16	22-01-2495	CHANEL CROSS MEMBER	1
17	22-50-0115	RIGHT BOX SUPPORT	1
18	22-50-0110	LEFT BOX SUPPORT	1
19	22-01-7595	CHUTE DEFLECTOR	1
20	22-42-0000	CLEAR ACCES DOOR (MOD:4000)	1
21	22-01-1080	RIGHT HYDRAULIC CYLINDER SUPPORT	1
22	22-01-1075	LEFT HYDRAULIC CYLINDER SUPPORT	1
23	NC13-45-0101	HYDRAULIC CYLINDER	1
24	22-13-1420	CYLINDER PIN 1" Dia. X 2 9/16" LG	3
25	04-33-0225	FLAT WASHER 1 1/2" Dia. X Ø 1" X 5/64"	4
26	04-33-0220	FLAT WASHER 1 1/2" Dia. X Ø 1" X 5/64"	2
27	01-33-0010	FLAT WASHER 1 1/2" Dia. X Ø 25/64" X 11GA	2
28	22-13-1415	CYLINDER PIN 1" Dia. X 3 1/16" LG	1
29	01-33-0010	FLAT WASHER 1 1/2" Dia. X Ø 25/64" X 11GA	2
30	22-01-2420	GRILL SUPPORT	2
31	22-01-2450	UNION PLATE	1
32	22-08-3000	TUBE CROSS MEMBER	1
33	22-50-0120	CYLINDER ATTACHMENT	1
34	22-50-0100	CHANNEL CROSS MENBER BOX	1
35	22-01-3110	FILTER RETAINER	2
36	22-55-0003	FILTER DOOR "STICKER INCLUDED"	1
37	22-41-0050	FILTER DOOR CABLE	1
38	22-13-0600	FILTER DOOR LOCK	2
39	NC02-44-0088	ALLENS SET SCREW 1/4"-20 X 1/4" LG	2
40	NC01-69-0377	SPRING PIN 1/8" X 3/4" LG	4
41	NC13-85-0025	SPRING .660" Dia. X 2 3/4" LG	2
42	22-01-3045	DEFLECTOR DOOR	2
43	22-01-2530	DEFLECTOR SIDE SHIM	2
44	22-01-3035	RIGHT DEFLECTOR SIDE	1
45	22-01-3030	LEFT DEFLECTOR SIDE	1
46	22-01-3040	LEFT DEFLECTOR TOP	1
47	22-01-3020	CENTRAL DEFLECTOR TOP	1
48	22-01-3025	RIGHT DEFLECTOR TOP	1
49	22-01-3090	DEFLECTOR SHIM	1
50	22-01-2525	DEFLECTOR CHANNEL	1
51	22-55-0025	SCREEN 1/4" ASSY..	1

T.V.4000 BOX - 1

REF.	PART NO.	DESCRIPTION	QTE
52	22-55-0030	SCREEN 1/2" ASSY.	1
53	NC01-69-0785	GREASE FITTING 1/4"-28 (STRAIGHT)	2
54	NC01-69-1201	SAFETY PIN	1
55	22-55-0305	SEAL CONTENER (LEFT)	1
56	22-55-0310	SEAL CONTENER (RIGHT)	1
57	22-55-0315	SEAL CONTENER CLAMP	2
58	22-01-7660	SCREEN CHANNEL HOLDER (SMALL)	1
59	22-01-7665	SCREEN HOLDER	1
60	22-01-7670	SCREEN CHANNEL HOLDER (LARGE)	1

N/I	22-55-0265	OPT.WASHABLE HARD SURFACE FILTER KIT "STICKER INCLUDED"	2

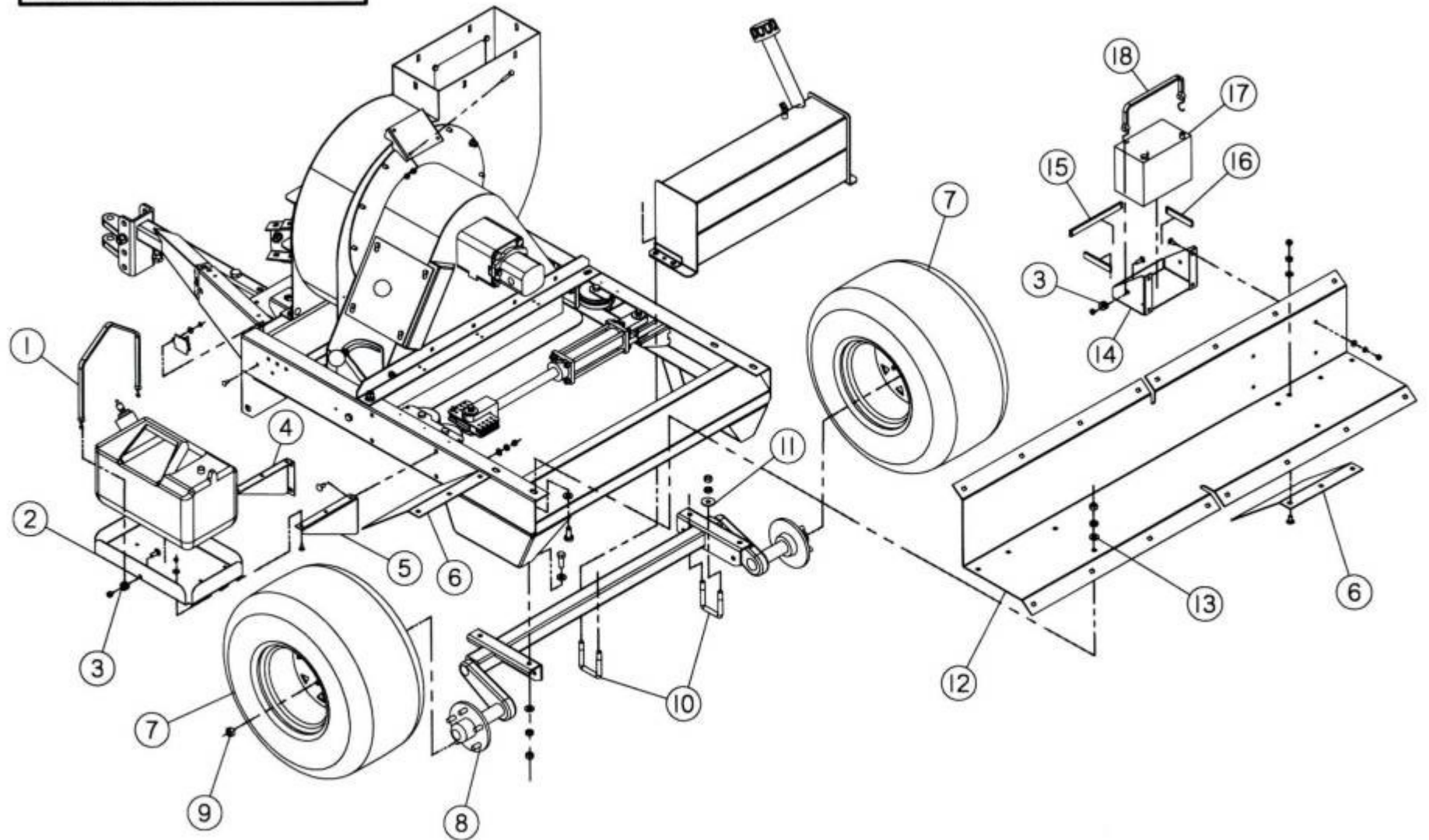
TUFF VAC 4000 (GAS)
CHASSIS / AVANT
FRAME FRONT END



FRAME FRONT END

REF.	PART NO.	DESCRIPTION	QTE
1	NC13-80-0241	HITCH (1" Ø)	1
2	22-50-0075	TELESCOPING HITCH	1
3	22-50-0080	EXTENSION HITCH	1
4	22-01-0960	RIGHT HITCH JOINT BRACKET	1
5	22-01-0955	LEFT HITCH JOINT BRACKET	1
6	01-01-0925	FLAT WASHER 1 1/64" Dia. X Ø 33/64" X 10GA	12
7	22-55-0320	JACK	1
8	22-55-0260	FRAME "STICKER INCLUDED"	1
N/I	22-55-0580	GAS FRAME "STICKER INCLUDED"	1
14	12-38-0001	FLANGE BEARING 4 Ø UCF 207-20 X Ø 1 1/4" (GREASE FITTING 1/4"-28)	1
15	NC14-62-0089	CAST IRON SHAVE PULLEY 2B5.6 SDS	2
16	NC14-62-0011	TAPERED QD BUSHING SDS 1 1/4" KW 1/4"	1
17	01-41-0910	SQUARE KEY 1/4" X 1/4" X 1 1/2" LG	2
18	NC14-25-2558	V BELT 2RB-44 (5/8" X 47")	1
19	NC14-62-0085	CAST IRON SHAVE PULLEY 2B42 SH	1
20	NC14-62-0015	TAPERED QD BUSHING SD 1 1/8" (MOTOR)	1
21	22-55-0515	GAZ BELT GUARD "STICKER INCLUDED"	1
N/I	22-01-3000	BELT GUARD ONLY	1
N/I	22-01-3055	MANIFOLD GUARD ONLY	1
22	NC14-40-0027	MOTOR KAWASAKI 23 HP	1
23	NC01-75-0007	RAPID LINKS 1/2"	2
24	16-41-0040	SAFETY CHAIN 10MM GRADE 70 X 58" LONG	1
25	22-55-0590	MOTOR FAN GUARD COMPL.	1
26	22-01-1550	ACTUATOR BRACKET	1
27	26-55-3098	GAS CABLE ASSY.	1
28	NC01-84-0100	GAS CABLE ADJUSTABLE SCREW	1
29	26-21-0087	RETAINING CABLE BUSHING FOR ACTUATOR	1
30	NC01-69-0377	SPRING PIN 1/8" X 3/4" LG	1
31	26-01-2691	AFTER -03/11 #30033- ACTUATOR GUIDE (12 VOLTS)	1
N/I	26-01-2690	BEFORE -03/11 #30033- ACTUATOR GUIDE (12 VOLTS)	1
32	26-55-3093	ACTUATOR (12 VOLTS) ASSY.	1
33	NC14-35-0233	ACTUATOR PROTECTING UNDER COVER	1
34	26-44-0005	SPRING GALV. 380" Dia. X 2" LONG	1
35	26-01-2686	AFTER -03/11 #30033- ACTUATOR SUPPORT (12 VOLTS)	1
N/I	26-01-2685	BEFORE -03/11 #30033- ACTUATOR SUPPORT (12 VOLTS)	1

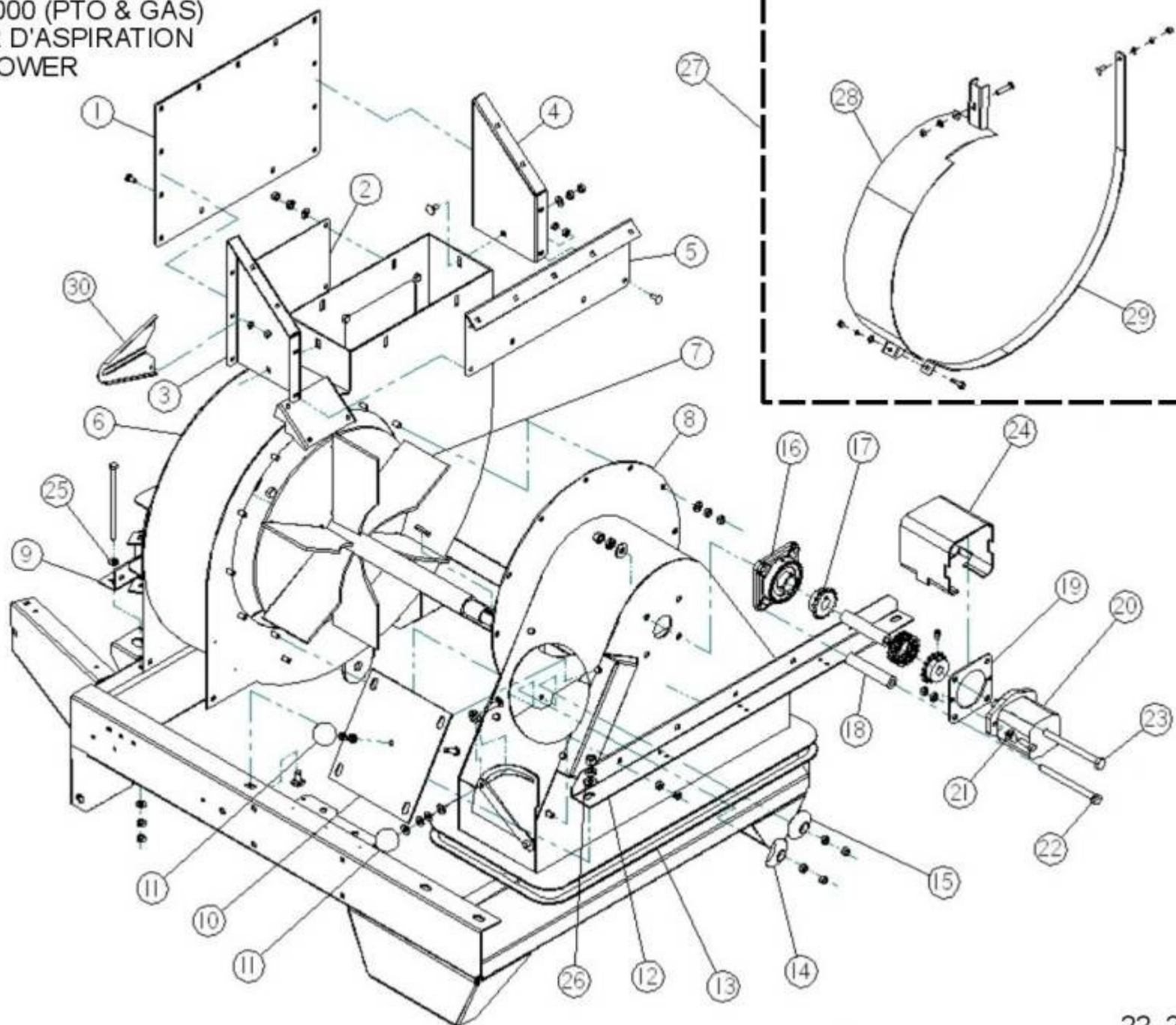
TUFF VAC 4000 (PTO & GAS)
CHASSIS / ARRIERE
FRAME BACK END



FRAME BACK END

REF.	PART NO.	DESCRIPTION	QTE
1	NC13-15-0052	RUBBER STRAP 15" LG	1
2	22-01-3070	BEFORE -05/07 #28236- FUEL TANK SUPPORT	1
N/I	22-01-3073	AFTER -05/07 #28236- FUEL TANK SUPPORT	1
3	22-21-0010	RUBBER STRAP BUSHING	4
4	22-01-2510	LEFT GAS TANK SUPPORT	1
5	22-01-2512	RIGHT GAS TANK SUPPORT	1
6	22-01-2415	WHEEL FENDER	2
7	NC14-70-0077	23" Dia. WHEEL ASSY.	2
N/I	NC14-70-0071	TIRE ONLY 23 X 10.50-12	2
N/I	NC14-70-0073	RIM 12" Dia.	2
N/I	NC14-70-0003	VALVE TBL TR-13	2
8	NC14-70-0074	AXLE	1
N/I	22-46-0600	WHEEL HUB COMPL.	2
N/I	NC14-70-0272	HUB ONLY	2
N/I	NC14-70-0267	GREASE SEAL	2
N/I	NC14-70-0268	TAPERED ROLLER BEARING L44649 X Ø 1 1/16"	4
N/I	NC14-70-0269	INNER BEARING CUP L44610	4
N/I	NC14-70-0271	COTTER PIN	2
N/I	NC14-70-0092	GREASE CAP	2
9	NC14-70-0270	SPINDLE NUT 1 1/16"	10
10	22-13-0605	U BOLT 1/2" Dia.	2
11	01-01-1660	FLAT WASHER 1 1/2 Dia. X Ø 33/64 X 11GA	4
12	22-01-1000	BOX SUPPORT	1
13	01-01-0925	FLAT WASHER 1 1/64" Dia. X Ø 33/64" X 10GA	8
14	22-01-2430	BATTERY SUPPORT	1
15	22-42-0205	FOAM STICKER 7" LG	2
16	22-42-0210	FOAM STICKER 4" LG	2
17	NC13-12-0001	BATTERY (12 VOLTS)	1
18	NC13-15-0008	RUBBER STRAP 12" LG	1

TUFF VAC 4000 (PTO & GAS)
SOUFFLEUR D'ASPIRATION
VACUUM BLOWER



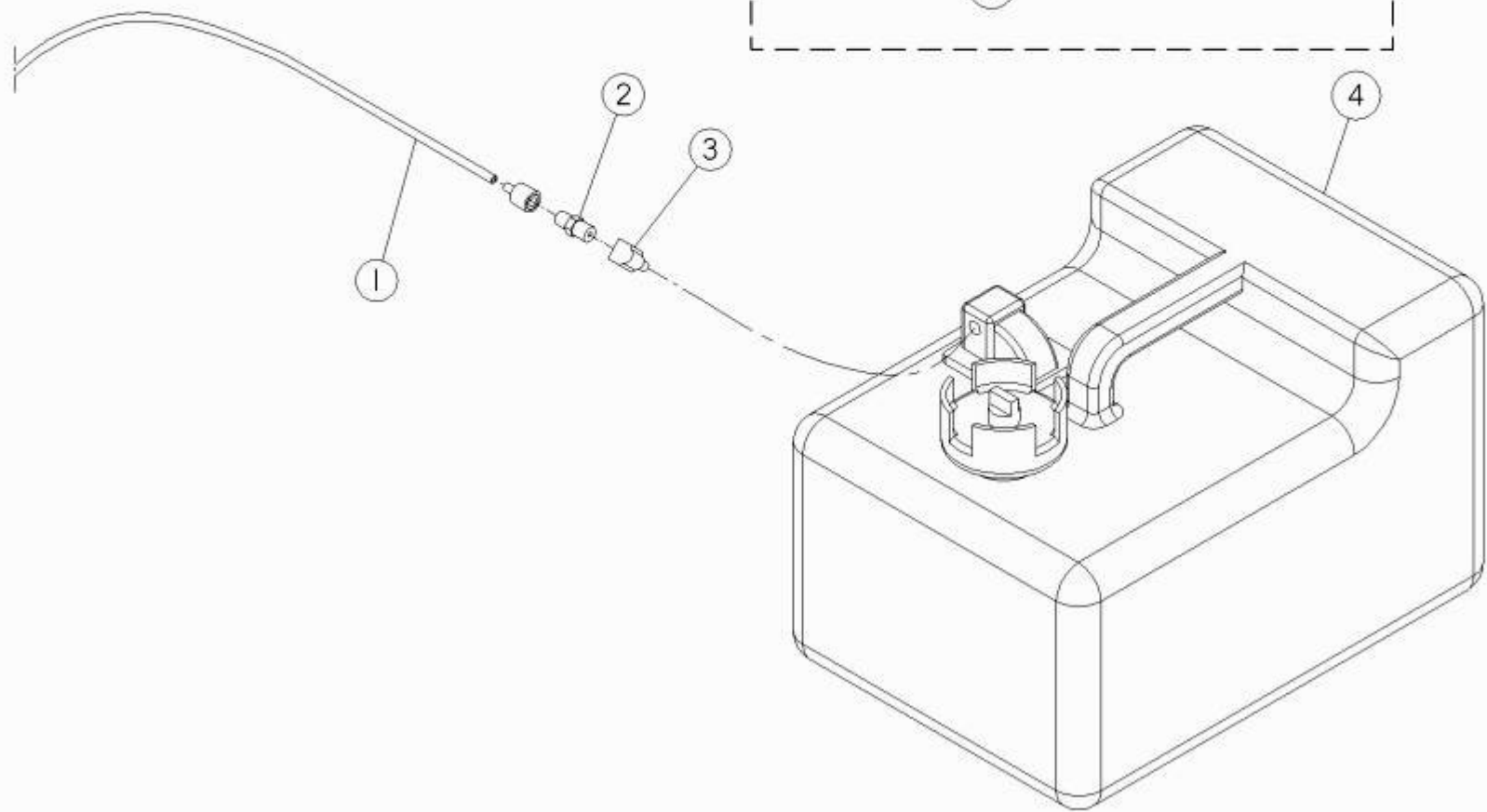
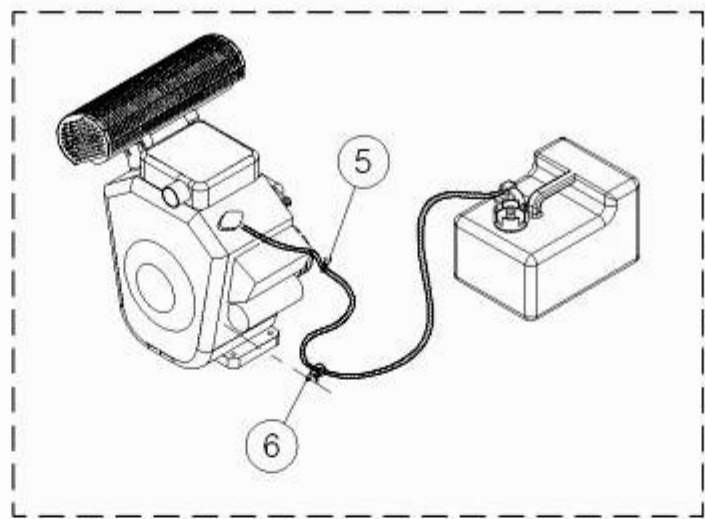
VACUUM BLOWER

REF.	PART NO.	DESCRIPTION	QTE
1	22-01-7590	FRONT SIDE DUCT	1
2	22-55-0250	ACCESS DOOR "STICKER INCLUDED"	1
3	22-01-7575	LEFT SIDE DUCT	1
4	22-01-7570	RIGHT SIDE DUCT	1
5	22-01-7585	BACK SIDE DUCT	1
6	22-55-0525	CASING BLOWER COMPL."STICKER INCLUDED" MOD.4000 GAZ	1
N/I	22-55-0230	CASING BLOWER "STICKER INCLUDED" MOD.4000 PTO	1
7	22-50-0095	IMPELLER	1
8	22-55-0235	SUCTION FUNNEL BOX "STICKER INCLUDED"	1
9	22-01-1110	FRONT SUPPORT	1
10	22-55-0085	ACCESS DOOR "STICKER INCLUDED"	1
11	NC01-64-0232	PLASTIC KNOB 1 7/8" Dia.	3
12	22-01-0940	BACK SUPPORT	1
13	22-46-3750	PLASTIC LINER	2
14	22-21-0015	TAPER WASHER (SPECIAL)	2
15	22-21-0000	TAPER WASHER (STANDARD)	7
16	16-38-0000	FLANGE BEARING SPECIAL 4 Ø UCF 207-20 X Ø 1 1/4"	1
17	16-55-0187	CHAIN COUPLING 4016 ASSY. Ø 1" X Ø 3/4"	1
N/I	NC14-55-0154	COUPLING 4016 X Ø 1" KW 1/4" 2SS 5/16"-18	1
N/I	NC14-55-0169	COUPLING 4016 X Ø 3/4" KW 3/16" 2SS 5/16"-18	1
N/I	NC14-20-0030	DOUBLE CHAIN #4016	1
N/I	NC02-44-0103	ALLENS SET SCREW 5/16"-18 X 3/8" LG	4
18	16-09-0800	BUSHING 1" X 1/2" X 4 3/4" LG	4
19	16-04-6855	HYDRAULIC PUMP SUPPORT	1
20	NC14-45-0024	HYDRAULIC PUMP	1
21	NC13-45-0028	ELBOW 90° 7/8-14 MÂLE SAE O RING X 1/2 FEM.TOUR.NPT	3
22	16-30-9965	BOLT 1/2"-13 X 6 1/2" LG (GRADE 2) SPECIAL	2
23	NC01-17-0269	HEX.BOLT 1/2"-13 X 6 1/2" LG (GRADE 2)	2
24	22-55-0225	CHAIN COUPLING GUARD "STICKER INCLUDED"	1
25	21-01-0950	FLAT WASHER 1.005" Dia. X Ø 25/64"	8
26	01-01-0925	FLAT WASHER 1 1/64" Dia. X Ø 33/64" X 10GA	2
27	22-55-0323	WEAR LINER COMPL. " STICKER INCLUDED"	1
28	22-55-0325	WEAR LINER ONLY " STICKER INCLUDED"	1
29	22-55-0330	STEEL STRIP ONLY " HARDWARE INCLUDED"	1
30	22-01-3160	HYDRAULIC CONTROL CABLE SUPPORT	1

GAZ TANK (2002)

REF.	PART NO.	DESCRIPTION	QTE
1	22-55-0505	GAS LINE 1/4" Ø X 104" LG ASSY."MOTOR"	1
N/I	22-46-0925	FEMALE GAS LINE NIPPLE	1
2	NC01-80-0003	GAS LINE NIPPLE MALE	1
3	NC13-80-0062	GAS CAP	1
4	22-42-0110	GAS LINE CAP ADAPTOR	1
5	NC13-15-0050	O-RING	1
6	NC01-80-0006	HOSE BARB TO MALE PIPE CONNECTOR	2
7	22-46-0530	GAS LINE 15" LG "TANK"	1
8	NC13-80-0179	GAS TANK	1
9	NC13-80-0188	AIR BREADER CAP	1
10	NC13-65-0047	90° BRASS EXTRUDED STREET ELBOW 1/4 FEM. NPT X 1/4 MÅLE NPT	1
11	NC01-65-0201	SPRING-GRIP HOSE CLAMPS 1/2" O.D.	2

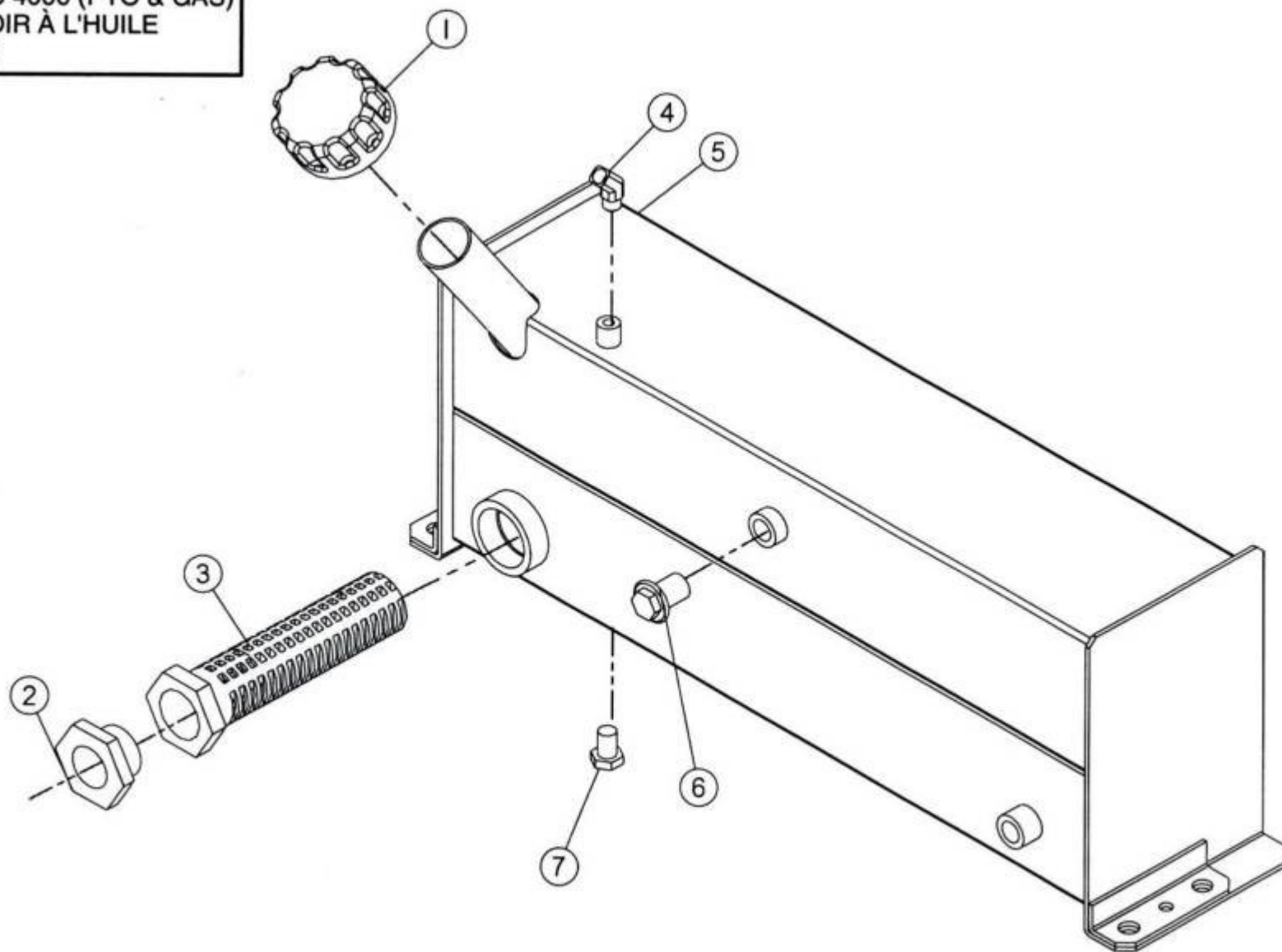
TUFF VAC 4000 (GAS)
RÉSERVOIR À ESSENCE
GAZ TANK



GAZ TANK (2007)

REF.	PART NO.	DESCRIPTION	QTE
1	22-55-0506	GAS LINE 1/4" Ø X 96" LG ASSY."MOTOR"	1
N/I	22-46-0925	FEMALE GAS LINE NIPPLE	1
2	NC01-80-0003	GAS LINE NIPPLE MALE	1
3	NC13-65-0047	90° BRASS EXTRUDED STREET ELBOW 1/4 FEM. NPT X 1/4 MÂLE NPT	1
4	NC13-80-0179	GAS TANK	1
5	NC01-65-0201	SPRING-GRIP HOSE CLAMPS 1/2" O.D.	1
6	NC13-25-0110	GAS HOSE PROTECTOR CLAMPS	1
N/I	NC13-80-0223	GAS CAP	1

TUFF VAC 4000 (PTO & GAS)
RÉSERVOIR À L'HUILE
OIL TANK



HYDRAULIC OIL TANK

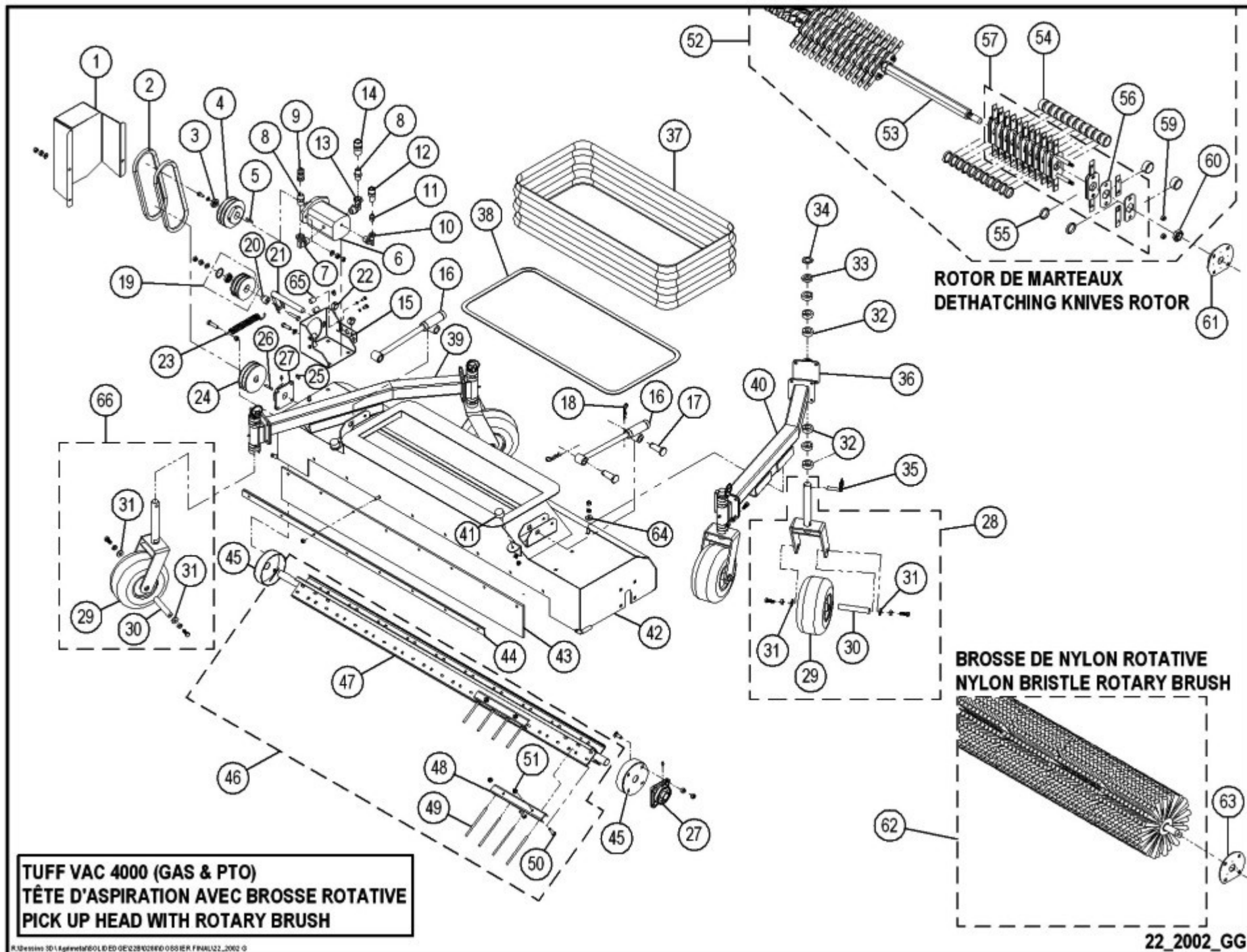
REF.	PART NO.	DESCRIPTION	QTE
1	NC13-45-0016	FILLING CAP	1
2	NC13-45-0066	HEXAGONAL REDUCER 3/4 NPT FEM..X 1 NPT MALE	1
3	NC13-45-0050	STRAINER TANK	1
4	NC13-45-0109	FEMALE 1/4 NPT X MALE 1/4 NPT 45°	3
5	22-55-0055	OIL TANK ASSY. "STICKER INCLUDED"	1
6	NC01-76-0001	SIGHT GLASS 3/4 NPT	1
7	NC13-45-0015	HEXAGONAL CAP 1/2 NPTF MALE	1

PICK-UP HEAD WITH ROTARY BRUSH (2002)

REF.	PART NO.	DESCRIPTION	QTE
1	22-55-0075	BELT GUARD ""STICKER INCLUDED"	1
2	NC14-25-0254	V-BELT A-27 (1/2" X 29")	2
3	22-21-0020	PULLEY RETAINING CAP	1
4	NC14-62-0162	PULLEY 2MA40 X Ø 3/4" KW 3/16" 2SS 5/16"-18	1
5	25-41-0900	SQUARE KEY 3/16" X 3/16" X 1 1/16" LG	1
6	NC14-45-0022	HYDRAULIC MOTOR	1
7	NC13-45-0028	ELBOW 90° 7/8-14 MÅLE SAE O RING X 1/2 FEM.TOUR.NPT	3
8	NC13-45-0029	MALE PIPE COUPLING 1/2" NPT	2
9	NC13-45-0014	QUICK DISCON.COUPLER 1/2"-14 NPTF	2
10	NC13-45-0108	90° 9/16-18 MALE SAE O RING X 1/4 FEM.TOUR.NPT	5
11	NC13-45-0114	MALE PIPE COUPLING 1/4" NPT	1
12	NC13-45-0111	QUICK CONNECT COUPLING FEMALE NPTF 1/4-18	1
13	NC13-45-0113	ELBOW 90° 1 1/16 -12 MÅLE SAE O RING X 1/2 FEM.TOUR.NPT	1
14	NC13-45-0047	QUICK CONNECT COUPLING FEMALE NPTF 1/2-14	2
15	22-50-0010	HYDRAULIC MOTOR SUPPORT	1
16	22-50-0015	TRACTION ARM	2
17	22-13-1600	TRACTION ARM PIN	4
18	NC01-63-0026	HITCH PIN CLIPS 5/32" X 3" LG	4
19	22-55-0040	IDLER PULLEY ASSY.	1
N/I	22-21-0005	IDLER PULLEY ONLY	1
N/I	NC14-75-0068	BEARING #99502H	1
N/I	NC01-64-0142	RETAINING RINGS INTERNAL FOR Ø 1 3/8"	1
20	22-21-0025	IDLER PULLEY BUSHING	1
21	22-50-0030	BELT TIGHTENER PIVOT	1
22	NC01-65-0020	COLLAR Ø 3/4" DIA.INT.1SS 5/16"-18	2
23	NC13-85-0008	SPRING 7/8" Dia. X 5" LG	1
24	03-39-0155	PULLEY 2MA40 X Ø 1" KW 1/4" 2SS 5/16"-18	1
25	NC02-44-0103	ALLENS SET SCREW 5/16"-18 X 3/8" LG	2
26	01-41-0910	SQUARE KEY 1/4" X 1/4" X 1 1/2" LG	2
27	22-55-0120	BEARING UCF 205-16 X Ø 1" (GREASE FITTING 1/4"-28)	2
28	22-55-0011	SWIVEL CASTER "STICKER INCLUDED"	4
29	NC14-70-0076	WHEEL 9" Dia. ASSY.	4
N/I	NC14-70-0070	TIRE ONLY 9 X 3.50-4	4
N/I	NC14-70-0072	RIM 4" Dia.	4
N/I	NC14-70-0043	SHOULDER BEARING C-12-22-F	8
N/I	NC14-70-0003	VALVE TBL TR-13	4
30	22-13-1005	SWIVEL WHEEL AXLE 3/4" Dia. X 4 1/2" LG	4
31	21-01-0950	FLAT WASHER 1.005" Dia. X Ø 25/64"	8
32	NC17-43-0014	CASTER GAUGE SLEEVE 1/2" THICK	24
33	NC17-43-0015	CASTER GAUGE SLEEVE 1/4" THICK	4
34	04-33-0225	FLAT WASHER 1 1/2" Dia. X Ø 1" X 5/64"	4
35	NC01-69-1100	LINCHPIN 3/8" Dia.	4
36	22-55-0020	SWIVEL WHEEL SUPPORT ASSY.	4
N/I	22-50-0035	SWIVEL WHEEL SUPPORT ONLY	4
N/I	NC01-69-0785	GREASE FITTING 1/4"-28 (STRAIGHT)	4
N/I	NC13-15-0049	O-RING 1 1/4" Dia. X Ø 1" X 1/8 "	8
37	NC17-11-0006	EXPANDING BOOT	1
38	22-46-3750	PLASTIC LINER	2
39	22-55-0022	RIGHT WHEEL TUB SUPPORT "STICKER INCLUDED"	1
40	22-55-0023	LEFT WHEEL TUB SUPPORT "STICKER INCLUDED"	1
41	NC13-15-0034	RUBBER ABSORBER	2
42	22-55-0043	PICK-UP HEAD "STICKER INCLUDED"	1
43	22-42-0030	RUBBER PAD 48" LG	1
44	22-01-3050	RUBBER PAD REINFORCEMENT	1
45	22-50-0045	BEARING PROTECTOR (RUBBER FINGER ROTOR)	2
46	22-55-0015	ROTARY BRUSH ASSY. (RUBBER FINGER)	1

PICK-UP HEAD WITH ROTARY BRUSH (2002)

REF.	PART NO.	DESCRIPTION	QTE
47	22-50-0050	RUBBER FINGER ROTOR ONLY	1
48	22-01-7540	RUBBER FINGER HOLDER	20
49	NC13-15-0347	RUBBER FINGER	80
50	NC01-04-0060	CARR.BOLT 5/16"-18 X 1 1/2" LG (GRADE 2)	40
51	NC01-96-0010	NYLON INSERT LOCKNUTS 5/16"-18	40
52	22-55-0018	ROTARY BRUSH ASSY. (HAMMER)	1
53	22-25-2400	ROTOR SHAFT (HAMMER)	1
54	22-10-4600	BEFORE 30/05/07 #00000- HAMMER SUPPORT SHIM 1 .203 LG	39
55	22-01-2560	BEFORE 30/05/07 #00000- HAMMER SUPPORT SHIM .0747 LG	80
56	22-10-4605	BEFORE 30/05/07 #00000- HAMMER SUPPORT SHIM .375 LG	2
57	22-01-7685	BEFORE 30/05/07 #00000- HAMMER SUPPORT	80
58	22-01-7655	BEFORE 30/05/07 #00000- HAMMER	80
59	22-13-0640	BEFORE 30/05/07 #00000- HAMMER PIVOT 12 1/2" LG	10
60	NC01-69-0381	BEFORE 30/05/07 #00000- SPRING PIN 1/8" X 1" LG	20
61	NC01-98-0020	NYLON INSERT LOCKNUTS 1 1/8"-12	2
62	22-50-1020	BEARING PROTECTOR (HAMMER ROTOR)	2
63	22-55-0049	NYLON BRISTLE ROTARY BRUSH COMPL.	1
64	22-01-7675	BEARING PROTECTOR (NYLON BRUSH)	2
65	21-01-0950	FLAT WASHER 1.005" Dia. X Ø 25/64"	6
66	22-21-0030	HYDRAULIC MOTOR STOPPER	4



**TUFF VAC 4000 (GAS & PTO)
TÊTE D'ASPIRATION AVEC BROSE ROTATIVE
PICK UP HEAD WITH ROTARY BRUSH**

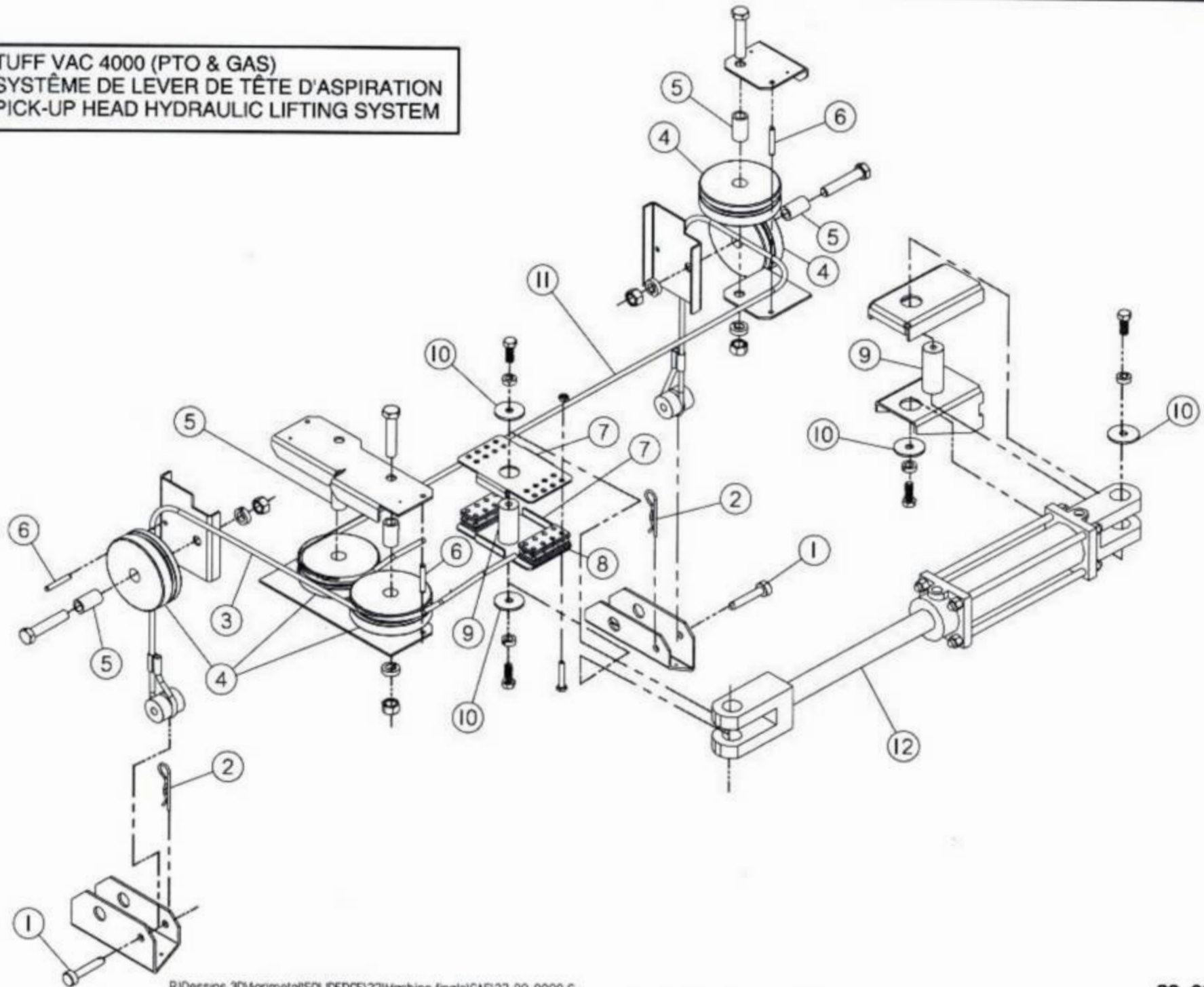
PICK-UP HEAD WITH ROTARY BRUSH (2007)

REF.	PART NO.	DESCRIPTION	QTE
1	22-55-0075	BELT GUARD ""STICKER INCLUDED"	1
2	NC14-25-0254	V-BELT A-27 (1/2" X 29")	2
3	22-21-0020	PULLEY RETAINING CAP	1
4	NC14-62-0162	PULLEY 2MA40 X Ø 3/4" KW 3/16" 2SS 5/16"-18	1
5	25-41-0900	SQUARE KEY 3/16" X 3/16" X 1 1/16" LG	1
6	NC14-45-0022	HYDRAULIC MOTOR	1
7	NC13-45-0028	ELBOW 90° 7/8-14 MÅLE SAE O RING X 1/2 FEM.TOUR.NPT	3
8	NC13-45-0029	MALE PIPE COUPLING 1/2" NPT	2
9	NC13-45-0014	QUICK DISCON.COUPLER 1/2"-14 NPTF	2
10	NC13-45-0108	90° 9/16-18 MALE SAE O RING X 1/4 FEM.TOUR.NPT	5
11	NC13-45-0114	MALE PIPE COUPLING 1/4" NPT	1
12	NC13-45-0111	QUICK CONNECT COUPLING FEMALE NPTF 1/4-18	1
13	NC13-45-0113	ELBOW 90° 1 1/16 -12 MÅLE SAE O RING X 1/2 FEM.TOUR.NPT	1
14	NC13-45-0047	QUICK CONNECT COUPLING FEMALE NPTF 1/2-14	2
15	22-50-0010	HYDRAULIC MOTOR SUPPORT	1
16	22-50-0015	TRACTION ARM	2
17	22-13-1600	TRACTION ARM PIN	4
18	NC01-63-0026	HITCH PIN CLIPS 5/32" X 3" LG	4
19	22-55-0040	IDLER PULLEY ASSY.	1
N/I	22-21-0005	IDLER PULLEY ONLY	1
N/I	NC14-75-0068	BEARING #99502H	1
N/I	NC01-64-0142	RETAINING RINGS INTERNAL FOR Ø 1 3/8"	1
20	22-21-0025	IDLER PULLEY BUSHING	1
21	22-50-0030	BELT TIGHTENER PIVOT	1
22	NC01-65-0020	COLLAR Ø 3/4" DIA.INT.1SS 5/16"-18	2
23	NC13-85-0008	SPRING 7/8" Dia. X 5" LG	1
24	03-39-0155	PULLEY 2MA40 X Ø 1" KW 1/4" 2SS 5/16"-18	1
25	NC02-44-0103	ALLENS SET SCREW 5/16"-18 X 3/8" LG	2
26	01-41-0910	SQUARE KEY 1/4" X 1/4" X 1 1/2" LG	2
27	22-55-0120	BEARING UCF 205-16 X Ø 1" (GREASE FITTING 1/4"-28)	2
28	22-55-0010	LEFT SWIVEL WHEEL ASSY."STICKER INCLUDED"	2
N/I	22-55-0011	SWIVEL CASTER "STICKER INCLUDED"	4
29	NC14-70-0076	WHEEL 9" Dia. ASSY.	4
N/I	NC14-70-0043	SHOULDER BEARING C-12-22-F	8
30	22-13-1005	SWIVEL WHEEL AXLE 3/4" Dia. X 4 1/2" LG	4
31	21-01-0950	FLAT WASHER 1.005" Dia. X Ø 25/64"	8
32	NC17-43-0014	CASTER GAUGE SLEEVE 1/2" THICK	24
33	NC17-43-0015	CASTER GAUGE SLEEVE 1/4" THICK	4
34	04-33-0225	FLAT WASHER 1 1/2" Dia. X Ø 1" X 5/64"	4
35	NC01-69-1100	LINCHPIN 3/8" Dia.	4
36	22-55-0020	SWIVEL WHEEL SUPPORT ASSY.	4
N/I	22-50-0035	SWIVEL WHEEL SUPPORT ONLY	4
N/I	NC01-69-0785	GREASE FITTING 1/4"-28 (STRAIGHT)	4
N/I	NC13-15-0049	O-RING 1 1/4" Dia. X Ø 1" X 1/8 "	8
37	NC17-11-0006	EXPANDING BOOT	1
38	22-46-3750	PLASTIC LINER	1
39	22-55-0022	RIGHT WHEEL TUB SUPPORT "STICKER INCLUDED"	1
40	22-55-0023	LEFT WHEEL TUB SUPPORT "STICKER INCLUDED"	1
41	NC13-15-0034	RUBBER ABSORBER	2
42	22-55-0043	PICK-UP HEAD "STICKER INCLUDED"	1
43	22-42-0030	RUBBER PAD 48" LG	1
44	22-01-3050	RUBBER PAD REINFORCEMENT	1
45	22-50-0045	BEARING PROTECTOR (RUBBER FINGER ROTOR)	2

PICK-UP HEAD WITH ROTARY BRUSH (2007)

REF.	PART NO.	DESCRIPTION	QTE
46	22-55-0015	ROTARY BRUSH ASSY. (RUBBER FINGER)	1
47	22-50-0050	RUBBER FINGER ROTOR ONLY	1
48	22-01-7540	RUBBER FINGER HOLDER	20
49	NC13-15-0347	RUBBER FINGER	80
50	NC01-04-0060	CARR.BOLT 5/16"-18 X 1 1/2" LG (GRADE 2)	40
51	NC01-96-0010	NYLON INSERT LOCKNUTS 5/16"-18	40
52	22-55-0018	ROTARY BRUSH ASSY. (HAMMER)	1
53	22-25-2400	ROTOR SHAFT (HAMMER)	1
54	22-09-1010	AFTER 30/05/07 #00000- HAMMER SUPPORT SHIM .901 LG	40
55	22-09-1005	AFTER 30/05/07 #00000- HAMMER SUPPORT SHIM 2" DIA. X 1 5/8" X 0.350" LG	39
56	22-01-7690	AFTER 30/05/07 #00000- HAMMER SUPPORT	78
57	22-55-0270	AFTER 30/05/07 #00000- HAMMER AND PIVOT KIT COMPL.	1
59	NC01-96-0014	AFTER 30/05/07 #00000- NYLON INSERT LOCKNUTS 1/2"-13	12
60	NC01-98-0020	AFTER 30/05/07 #00000- NYLON INSERT LOCKNUTS 1 1/8"-12	2
61	22-50-1020	AFTER 30/05/07 #00000- BEARING PROTECTOR (HAMMER ROTOR)	2
62	22-55-0049	NYLON BRISTLE ROTARY BRUSH COMPL.	1
63	22-01-7675	BEARING PROTECTOR (NYLON BRUSH)	2
64	21-01-0950	FLAT WASHER 1.005" Dia. X Ø 25/64"	6
65	22-21-0030	HYDRAULIC MOTOR STOPPER	4
66	22-55-0012	RIGHT SWIVEL WHEEL ASSY."STICKER INCLUDED"	2

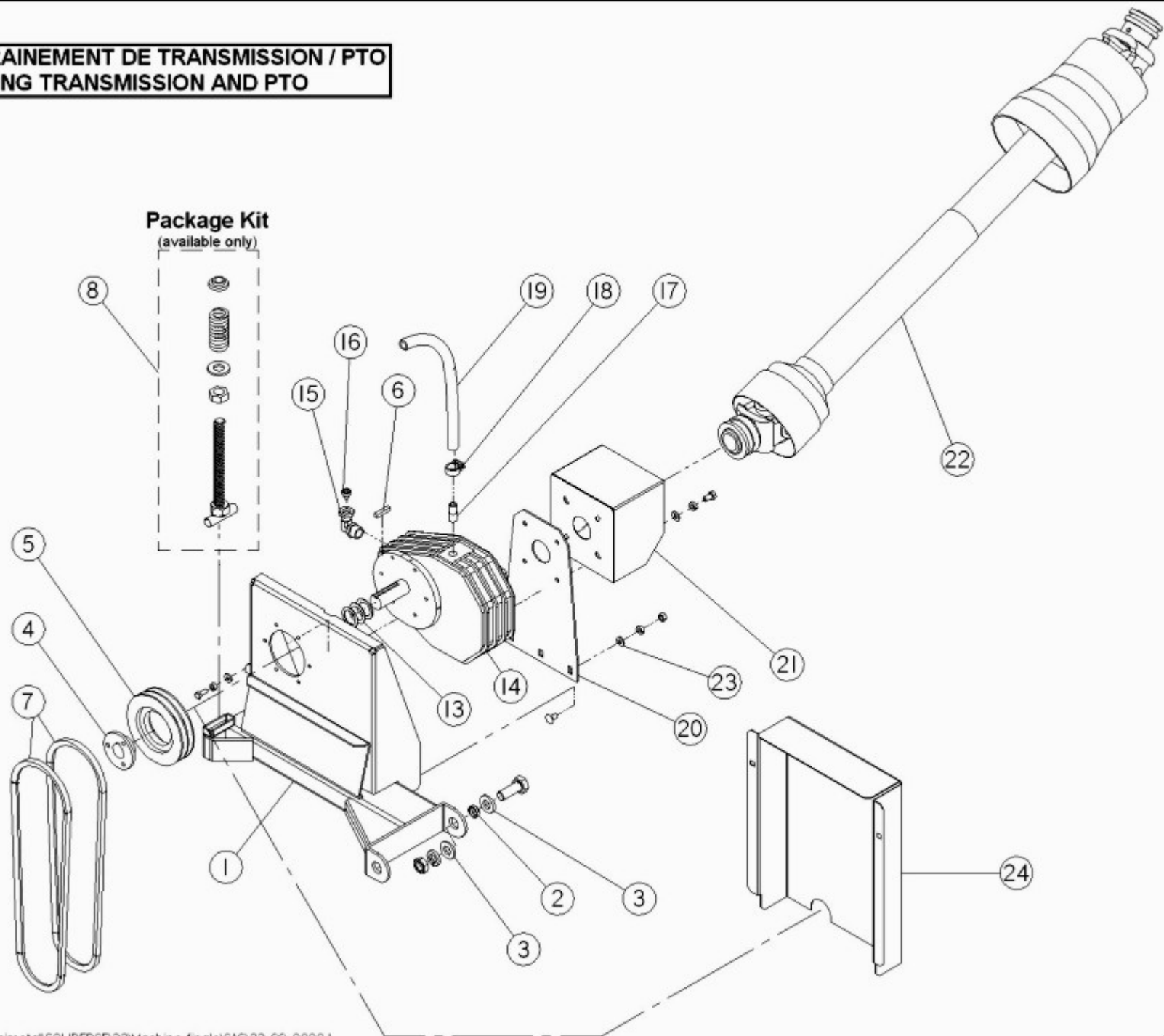
TUFF VAC 4000 (PTO & GAS)
SYSTÈME DE LEVER DE TÊTE D'ASPIRATION
PICK-UP HEAD HYDRAULIC LIFTING SYSTEM



PICK-UP HEAD HYDRAULIC LIFTING SYSTEM

REF.	PART NO.	DESCRIPTION	QTE
1	22-13-1015	CABLE LOCK PIN	2
2	NC01-63-0014	HITCH PIN CLIPS 3/32" X 1 3/4" LG	2
3	22-55-0100	LIFFTING CABLE FOR PICK-UP HEAD ASSY. 45" LG	1
4	12-42-0100	U.H.M.W. IDLER PULLEY 4" Dia. X 1 1/4" THICK	5
5	12-09-0100	BUSHING 3/4" Dia. X Ø 1/2" X 1 5/16" LG	5
6	NC01-69-0463	SPRING PIN 1/4" X 1 3/4" LG	5
7	22-01-7630	CABLE CLAMP	2
8	22-22-5600	GAUGE PLATE	12
9	22-13-1420	CYLINDER PIN 1" Dia. X 2 9/16" LG	3
10	01-33-0010	FLAT WASHER 1 1/2" Dia. X Ø 25/64" X 11GA	4
11	22-55-0105	LIFFTING CABLE FOR PICK-UP HEAD COMPL. 73 1/2" LG	1
12	NC13-45-0100	HYDRAULIC CYLINDER	1

**ENTRAINEMENT DE TRANSMISSION / PTO
DRIVING TRANSMISSION AND PTO**



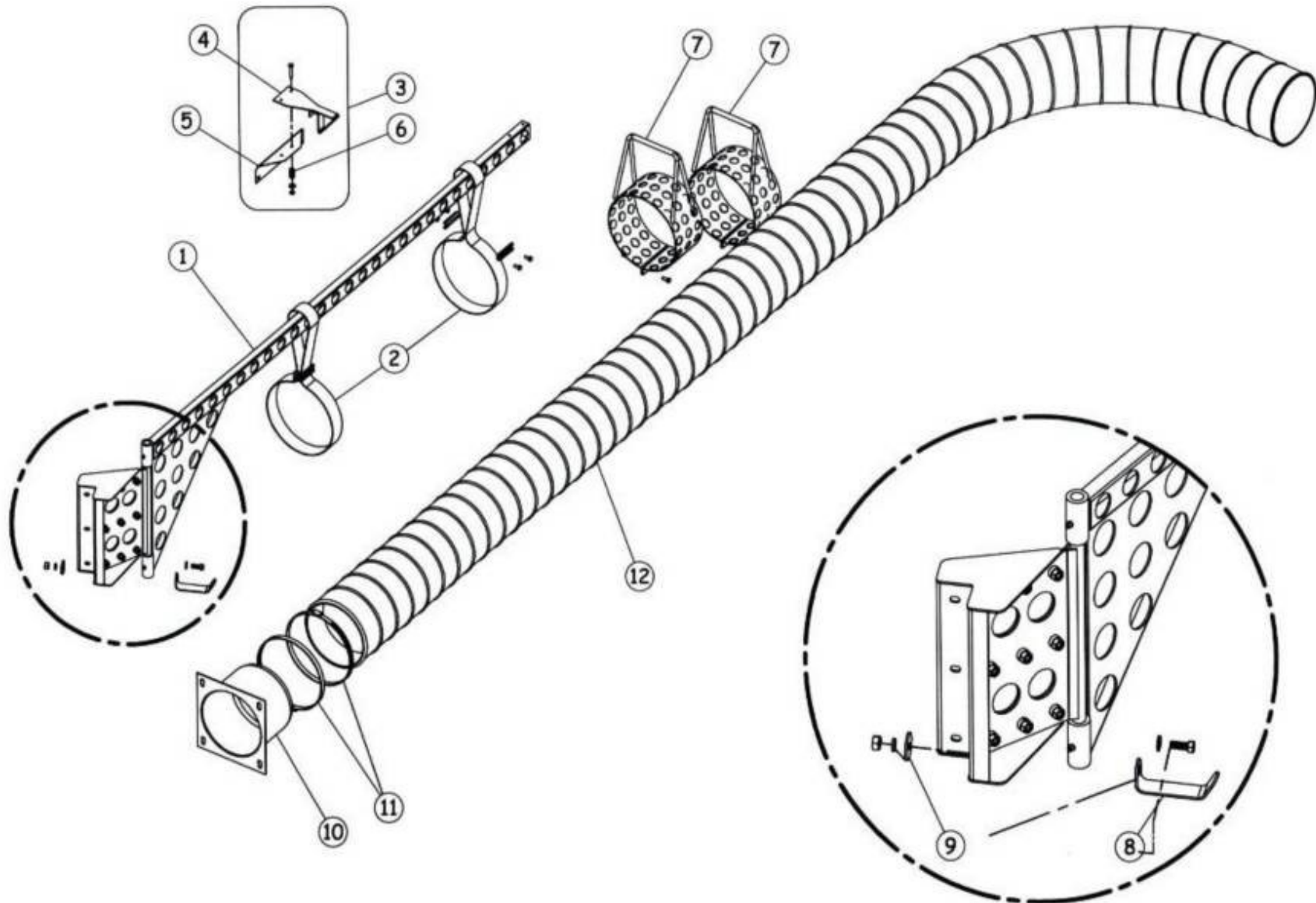
DRIVING TRANSMISSION AND P.T.O.

REF.	PART NO.	DESCRIPTION	QTE
1	22-50-0084	TRANSMISSION BASE MOUNT	1
2	22-09-1200	BUSHING 1" Dia. X .280 LG	2
3	22-04-6805	FLAT WASHER 1 33/64" Dia. X Ø 49/64"	4
4	16-39-0435	TAPERED QD BUSHING SDS X Ø 1 1/4" KW 5/16"	1
5	NC14-62-0089	CAST IRON SHAVE PULLEY 2B5.6 SDS	2
6	16-41-0905	SQUARE KEY 5/16" X 5/16" X 1 7/8" LG	1
7	NC14-25-2558	V BELT 2RB-44 (5/8" X 47")	1
8	22-55-0065	BELT TENSION KIT ASSY..	1
13	22-22-2610	FLAT WASHER 1 49/64" Dia. X Ø 1.252"	3
14	01-34-0101	TRANSMISSION A624A RATIO 1:5.15	1
15	NC13-65-0003	BRASS ELBOW 90° 3/8 FEM. NPT X 3/8 MALE NPT	1
16	NC02-44-0204	ALLEN SET SCREW 3/8"-18 NPT	1
17	NC13-65-0010	GALV.NIPPLE 3/8 NPT X 1 1/2" LG	1
18	NC01-65-0055	COLLAR (HS8)	1
19	16-46-0525	OVER FLOW TRANSMISSION HOSE 39" LG	1
20	22-55-0083	TRANSMISSION SUPPORT "STICKER INCLUDED"	1
21	01-55-0535	PTO SHAFT GUARD "STICKER INCLUDED"	1
22	28-34-0030	PTO SHAFT T60 X 45.98" LG	1
23	21-01-0950	FLAT WASHER 1.005" Dia. X Ø 25/64"	3
24	22-55-0245	PTO BELT GUARD COMPL."STICKER INCLUDED"	1

ENGINE DRIVE BASE

REF.	PART NO.	DESCRIPTION	QTE
1	22-55-0065	BELT TENSION KIT ASSY..	1
6	22-50-1010	KAWASAKI MOTOR BASE	1
7	22-09-1200	BUSHING 1" Dia. X .280 LG	2
8	22-04-6805	FLAT WASHER 1 33/64" Dia. X Ø 49/64"	4
9	NC14-62-0085	CAST IRON SHAVE PULLEY 2B42 SH	1
10	NC14-62-0015	TAPERED QD BUSHING SD 1 1/8" (MOTOR)	1
11	01-41-0910	SQUARE KEY 1/4" X 1/4" X 1 1/2" LG	2
12	NC13-37-0481	EXHAUST MANIFOLD	1
13	22-01-1545	MUFFLER SUPPORT (LEFT)	1
14	NC17-60-0019	CHOKE ROD	1
15	22-01-0097	MUFFLER BRACKET	1
17	22-50-1005	MUFFLER	1
18	22-50-1000	MUFFLER GUARD	1
19	22-13-0110	MANIFOLD STUD SPEACER	2
20	NC13-37-0478	EXHAUST MANIFOLD GASKET	2
21	NC13-37-0492	SPECIAL LOCK WASHER	4
22	NC13-37-0491	METRIC NUT 8 mm	4
23	NC13-37-0510	SPARK ARRESTOR FOR 23 HP KAWASAKI	1
24	NC01-37-0004	HEX.BOLT 1/4"-28 X 3/4" LG (GRADE 8)	4
25	NC01-45-0186	METRIC BOLT 8MM X 25MM (GRADE 5)	2

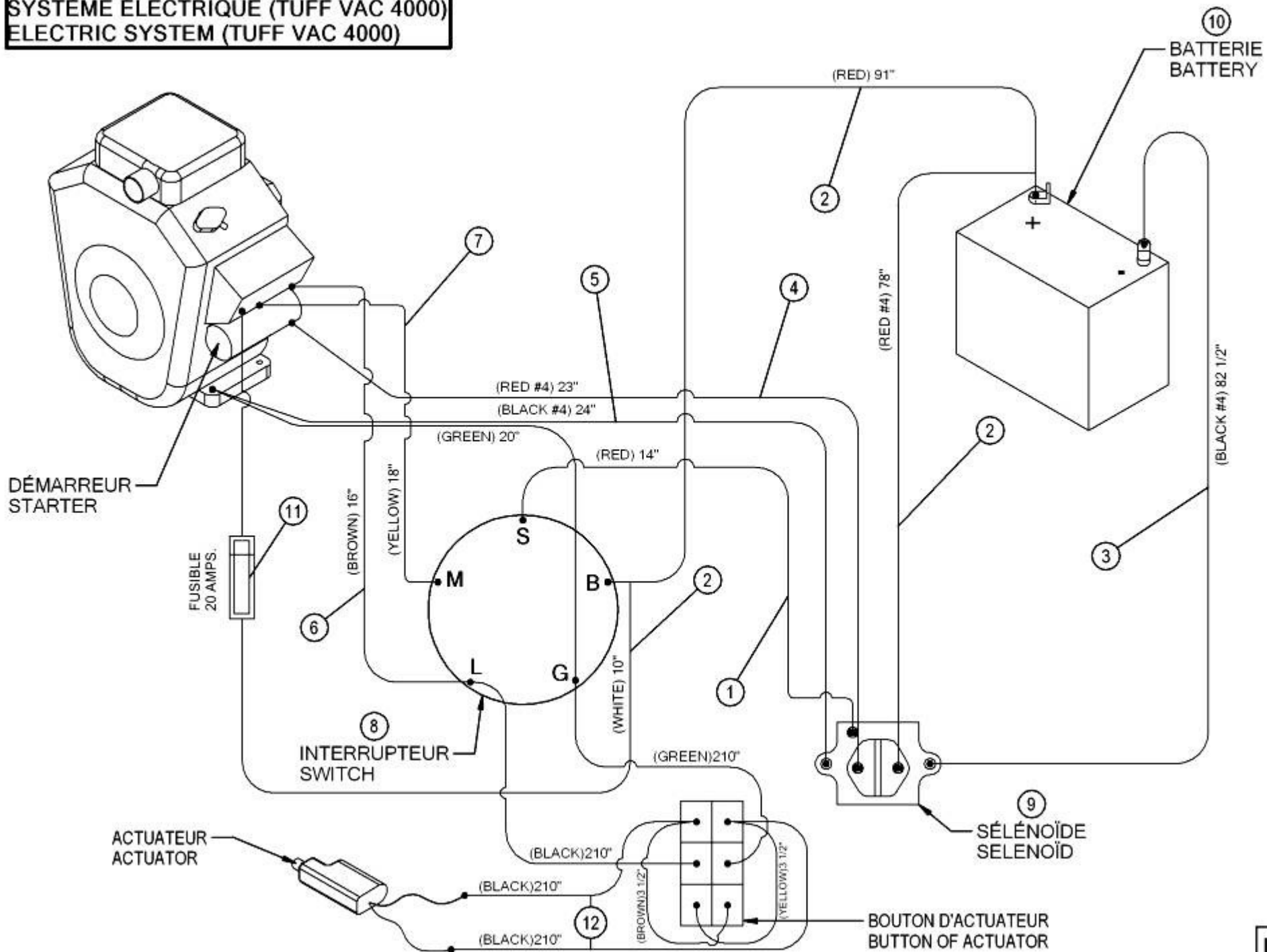
TUFF VAC 4000 (PTO & GAS)
SYSTÈME DE TUYAU D'ASPIRATION
HAND PICK-UP HOSE



HAND PICK-UP HOSE

REF.	PART NO.	DESCRIPTION	QTE
1	16-50-0120	FLEXIBLE HOSE SUPPORT	1
2	22-55-0280	HOSE STRAP ASSY.	2
N/I	22-41-4000	YELLOW STRAP ONLY	2
N/I	16-55-0221	STRAP SECURING ASSY.	2
3	22-55-0070	HOSE SUPPORT LOCK ASSY.	1
4	22-50-0070	HOSE SUPPORT LOCK (ONLY)	1
5	22-01-3120	HOSE SUPPORT LOCK ONLY	1
6	NC13-85-0027	SPRING .500"Dia. X 1 3/4" LG	2
7	16-55-0181	HOSE HANDLE ASSY.	2
8	22-01-1540	FLEXIBLE HOSE HANDLE HOOK	1
9	01-33-0010	FLAT WASHER 1 1/2" Dia. X Ø 25/64" X 11GA	6
10	22-50-0160	HOSE ADAPTOR 8" Dia.	1
11	NC01-65-0077	COLLAR (HS128)	2
12	16-46-0455	FLEXIBLE HOSE 8" Dia. X 192" LG	1

SYSTÈME ÉLECTRIQUE (TUFF VAC 4000)
ELECTRIC SYSTEM (TUFF VAC 4000)



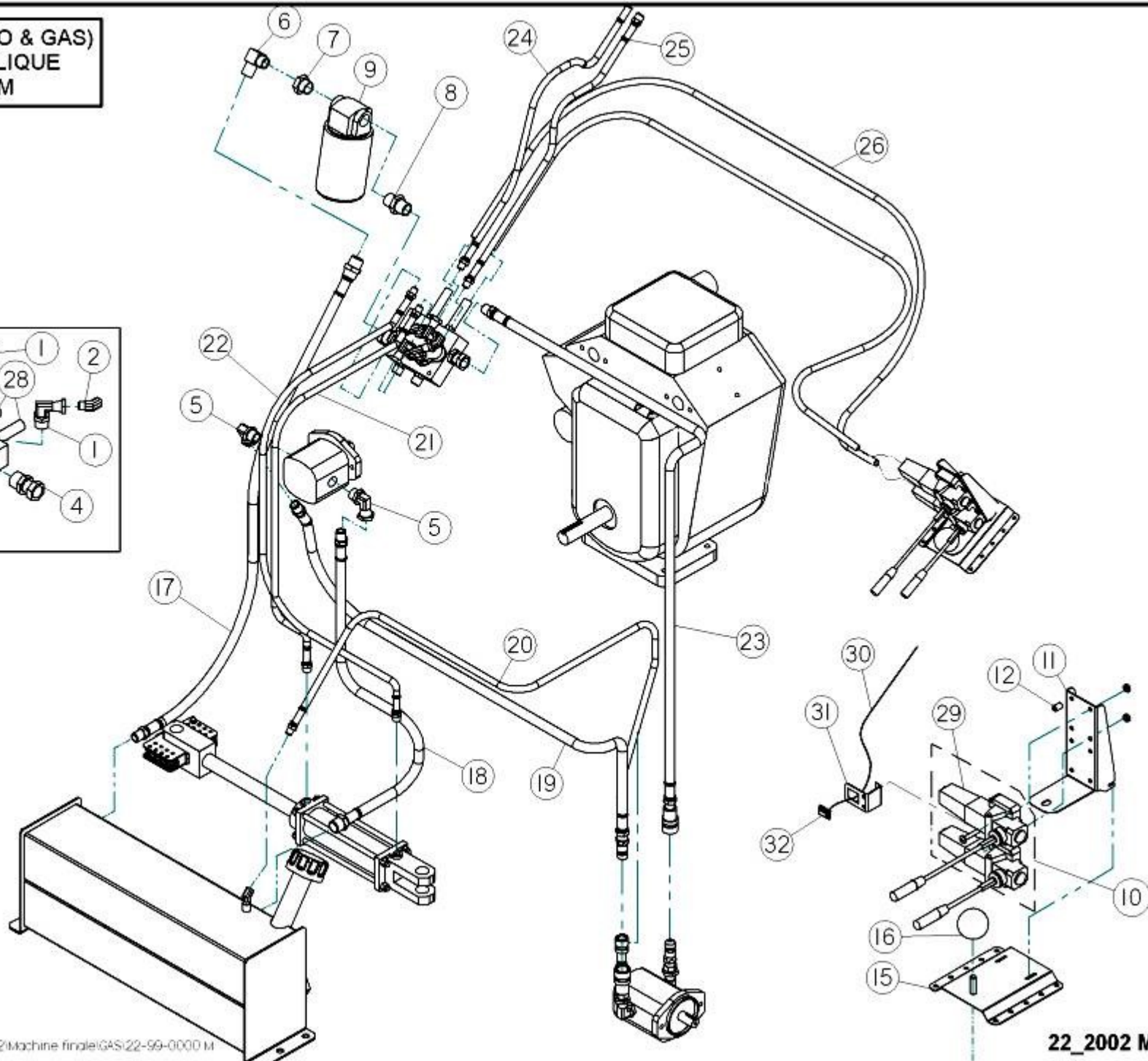
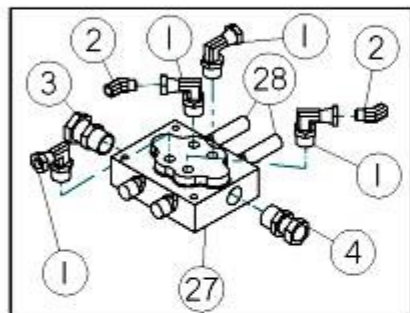
ELECTRICAL SYSTEM

REF.	PART NO.	DESCRIPTION	QTE
1	22-55-0540	RED WIRE 14" LG ASSY.	1
2	22-55-0535	RED WIRE #4 X 78" LG & RED 91" LG & WHITE 10" LG ASSY.	1
3	22-55-0565	BLACK WIRE #4 X 82 1/2" LG ASSY.	1
4	22-55-0560	RED WIRE #4 X 23" LG ASSY.	1
5	22-55-0555	BLACK WIRE #4 X 24" LG & GREEN 20" LG ASSY.	1
6	22-55-0545	BROWN WIRE 16" LG ASSY.	1
7	22-55-0550	YELLOW WIRE 18" LG ASSY.	1
8	NC13-37-0494	ELECTRICAL SWITCH 23 H.P.	1
9	NC13-37-0495	SELENOID	1
10	NC13-12-0001	BATTERY (12 VOLTS)	1
11	NC13-37-0508	20 FUSE CASE AMPS ASSY.	1
N/I	NC13-37-0570	20 AMPS FUSE	1
N/I	NC13-37-0513	AMPS 20 FUSE	1
12	22-55-0350	GREY WIRE 18GA X 210" LG ASSY.	1

ELECTRIC SYSTEM

REF.	PART NO.	DESCRIPTION	QTE
1	NC13-25-0355	ELECTRIC BOX	1
2	NC13-25-0358	COMPLETELY WIRING KIT	1
3	NC13-25-0282	REMOTE CONTROL	1
4	NC13-12-0001	BATTERY (12 VOLTS)	1
5	22-55-0565	BLACK WIRE #4 X 82 1/2" LG ASSY.	1
6	22-55-0536	RED WIRE #4 X 78" LG ASSY.	1
7	22-55-0555	BLACK WIRE #4 X 24" LG & GREEN 20" LG ASSY.	1
8	22-55-0561	RED WIRE #4 X 27" LG ASSY.	1
9	NC13-37-0495	SELENOID	1
10	NC13-37-0494	ELECTRICAL SWITCH 23 H.P.	1
13	NC13-45-0182	ELECTRIC VALVE CONTROL	1

TUFF VAC 4000 (PTO & GAS)
SYSTÈME HYDRAULIQUE
HYDRAULIC SYSTEM



HYDRAULIC SYSTEM

REF.	PART NO.	DESCRIPTION	QTE
1	NC13-45-0108	90° 9/16-18 MALE SAE O RING X 1/4 FEM.TOUR.NPT	5
2	NC13-45-0109	FEMALE 1/4 NPT X MALE 1/4 NPT 45°	3
3	NC13-45-0110	UNION 3/4-16 MÂLE SAE ORING X 3/4 FEM.TOUR.NPT	1
4	NC13-45-0106	UNION 3/4-16 MÂLE SAE ORING X 1/2 FEM.TOUR.NPT	1
5	NC13-45-0028	ELBOW 90° 7/8-14 MÂLE SAE O RING X 1/2 FEM.TOUR.NPT	3
6	NC13-45-0025	90° FEMALE 1/2 NPT X MALE 1/2 NPT	1
7	NC13-45-0032	NPTF 3/4" MALE TO NPTF 1/2" FEMALE BUSHING	1
8	NC13-45-0030	MALE PIPE COUPLING 3/4" NPT	1
9	NC13-45-0096	FILTER ASSY.	1
N/I	NC13-45-0048	OIL FILTER	1
10	NC13-45-0131	HYDRAULIC VALVE CONTROL	2
11	22-01-3100	HYDRAULIC CONTROL SUPPORT	1
12	22-42-0010	PLASTIC BUSHING	8
13	22-01-3105	GAS THROTTLE SUPPORT	1
14	NC13-37-0376	GAS CÂBLE AND CONTROL LEVER	1
15	22-50-0150	HYDRAULIC CONTROL SUPPORT BASE	1
16	NC01-64-0232	PLASTIC KNOB 1 7/8" Dia.	3
17	22-55-0150	HYDR. HOSE 1/2-H ASS. 1/2-14 MALE RIG.X 1/2-14 MALE SWI.X 40" LG	1
18	22-55-0160	HYDR. HOSE 1/2-H ASS. 1/2-14 MALE RIG.X 3/4-14 MALE RIG.X 24" LG	1
19	22-55-0190	HYDR.HOSE 1/2-H PRÉ-ASS.QUICK DISCON.COUPLER 1/2 NPT (PICK-UP HEAD) ASSY.	1
N/I	22-55-0154	HYDR. HOSE 1/2-H ASS. 1/2-14 MALE RIG.X 1/2-14 MALE RIG.X 43 1/2" LG	2
N/I	NC13-45-0014	QUICK DISCON.COUPLER 1/2"-14 NPTF	2
20	22-55-0165	HYDR.HOSE 1/4-H ASS.1/4-18 MALE RIG.X 1/4-18 MALE RIG.X 44 1/2" LG ASSY.	1
N/I	22-55-0164	HYDR.HOSE 1/4-H ASS. 1/4-18 MALE RIG.X 1/4-18 MALE RIG.X 44 1/2" LG	1
N/I	NC13-45-0112	QUICK CONNECT COUPLING FEMALE X MALE NPTF 1/4-18	1
21	22-55-0175	HYDR.HOSE 1/4-H ASS.1/4-18 MALE RIG.X 3/8-18 MALE SWI.X 35" LG	1
22	22-55-0170	HYDR.HOSE 1/4-H ASS.1/4-18 MALE RIG.X 3/8-18 MALE SWI.X 45" LG	1
23	22-55-0155	HYDR.HOSE 1/2-H ASS. 1/2-14 MALE RIG.X 1/2-14 MALE RIG. X 43 1/2" LG ASSY.	1
N/I	22-55-0154	HYDR. HOSE 1/2-H ASS. 1/2-14 MALE RIG.X 1/2-14 MALE RIG.X 43 1/2" LG	2
N/I	NC13-45-0047	QUICK CONNECT COUPLING FEMALE NPTF 1/2-14	2
24	22-55-0180	HYDR.HOSE 1/4-H ASS.1/4-18 MALE RIG.X 3/8-18 MALE SWI.X 75" LG	1
25	22-55-0185	HYDR.HOSE 1/4-H ASS.1/4-18 MALE RIG.X 3/8-18 MALE SWI.X 85" LG	1
26	NC13-45-0116	HYDRAULIC CONTROL CABLE (ONLY)	2
27	NC13-45-0130	HYDRAULIC VALVE (DOUBLE)	1
28	NC13-45-0127	HYDRAULIC CONNECTOR KIT FOR CABLE TQ50	2
29	NC13-45-0126	HYDRAULIC CONNECTOR GP50	2
30	22-55-0350	GREY WIRE 18GA X 210" LG ASSY.	1
31	22-01-2565	INTERRUPTOR SUPPORT	1
32	NC13-37-0376	BEFORE -07/01 #00000- GAS CÂBLE AND CONTROL LEVER	1
N/I	NC14-35-0234	AFTER -07/01 #00000- ACTUATOR INTERRUPTOR BUTTON	1

STICKER TUFF VAC 4000 GAZ & P.T.O.

REF.	PART NO.	DESCRIPTION	QTE
N/I	22-58-0500	STICKER KIT (MOD.TUFF VAC 4000 GAZ)	1
N/I	NC13-33-0095	STICKER OFF ON START (2 3/4" X 1 3/8")	1
N/I	NC13-33-0094	STICKER SIDE TUFF VAC 4000	2
N/I	NC13-33-0099	STICKER WARNING INSTALL LOCK PIN THROUGH FRAME ...	2
N/I	NC13-33-0096	STICKER WARNING PINCH POINT HAZARD	2
N/I	NC13-33-0105	STICKER CAUTION / READ OPERATOR'S MANUAL BEFORE STARTING...	1
N/I	NC13-33-0102	STICKER REFLECTOR (TRIANGLE)	1
N/I	16-60-0050	STICKER REFLECTOR (2" X 9 " LG: RED)	2
N/I	NC13-33-0112	STICKER DANGER BLOWER BLADE HAZARD...	3
N/I	NC13-33-0100	STICKER IMPORTANT CLOSE AND LATCH SCREEN ACCESS DOOR PRIOR...	1
N/I	NC13-33-0107	STICKER TOP MIDDLE	2
N/I	NC13-33-0098	STICKER WARNING ROTATING BLADE HAZARD...	2
N/I	NC13-33-0119	STICKER HEAD HOSE	1
N/I	NC13-33-0121	STICKER IMPORTANT THIS IS A REPLACEABLE WEAR LINER. REPLA...	1
N/I	16-60-0025	STICKER FRAME LEVEL	2
N/I	03-60-0005	STICKER GREASE GUN	10
N/I	16-60-0020	STICKER DANGER THROWN OBJECT HAZARD...	2
N/I	01-60-0000	STICKER AGRIMÉTAL INC "LARGE"	2
N/I	01-60-0060	STICKER DANGER FIRE HAZARD .STOP ENGINE FIVE MINUTES BEFORE...	1
N/I	01-60-0015	STICKER OIL LEVEL	1
N/I	01-60-0115	STICKER WARNING ROTATING PART HAZARD...	2
N/I	15-60-0010	STICKER WARNING HIGH-PRESSURE FLUID HAZARD...	2
N/I	01-60-0070	STICKER WARNING MISSING SHIELD HAZARD...	2
N/I	01-60-0110	STICKER WARNING ROTATING PART HAZARD...	1
N/I	NC13-33-0227	STICKER FUSE 15 AMP. MAXIMUM	1
N/I	NC13-33-0154	STICKER IMPORTANT.(SPRING) 6 3/4" / 171 MM	1

N/I	22-58-0005	STICKER KIT (MOD.TUFF VAC 4000 P.T.O.)	1
N/I	NC13-33-0105	STICKER CAUTION / READ OPERATOR'S MANUAL BEFORE STARTING...	1
N/I	NC13-33-0094	STICKER SIDE TUFF VAC 4000	2
N/I	NC13-33-0099	STICKER WARNING INSTALL LOCK PIN THROUGH FRAME ...	2
N/I	NC13-33-0096	STICKER WARNING PINCH POINT HAZARD	2
N/I	NC13-33-0102	STICKER REFLECTOR (TRIANGLE)	1
N/I	16-60-0050	STICKER REFLECTOR (2" X 9 " LG: RED)	2
N/I	NC13-33-0113	STICKER WARNING MISSING SHIELD HAZARD...	1
N/I	NC13-33-0112	STICKER DANGER BLOWER BLADE HAZARD...	3
N/I	NC13-33-0100	STICKER IMPORTANT CLOSE AND LATCH SCREEN ACCESS DOOR PRIOR...	1
N/I	NC13-33-0107	STICKER TOP MIDDLE	2
N/I	NC13-33-0098	STICKER WARNING ROTATING BLADE HAZARD...	2
N/I	NC13-33-0119	STICKER HEAD HOSE	1
N/I	NC13-33-0121	STICKER IMPORTANT THIS IS A REPLACEABLE WEAR LINER. REPLA...	1
N/I	16-60-0025	STICKER FRAME LEVEL	2
N/I	01-60-0000	STICKER AGRIMÉTAL INC "LARGE"	2
N/I	03-60-0005	STICKER GREASE GUN	10
N/I	16-60-0020	STICKER DANGER THROWN OBJECT HAZARD...	2
N/I	01-60-0015	STICKER OIL LEVEL	3
N/I	01-60-0125	STICKER WARNING KEEP ALL GUARDS AND SHIELDS IN PLACE...	1
N/I	01-60-0115	STICKER WARNING ROTATING PART HAZARD...	2
N/I	01-60-0040	STICKER MAXIMUM 540 RPM	1
N/I	01-60-0150	STICKER ATTENTION ADJUST TRACTOR DRAWBAR AND/OR PTO SHAFT LENGTH...	1
N/I	16-60-0035	STICKER CAUTION THIS MACHINE IS EQUIPED WITH A CONSTANT...	1
N/I	15-60-0010	STICKER WARNING HIGH-PRESSURE FLUID HAZARD...	2
N/I	01-60-0070	STICKER WARNING MISSING SHIELD HAZARD...	2
N/I	01-60-0110	STICKER WARNING ROTATING PART HAZARD...	1
N/I	NC13-33-0154	STICKER IMPORTANT.(SPRING) 6 3/4" / 171 MM	1
N/I	NC13-33-0179	STICKER IMPORTANT GREASE DRIVE LINE TELESCOPIC SHAFT	1