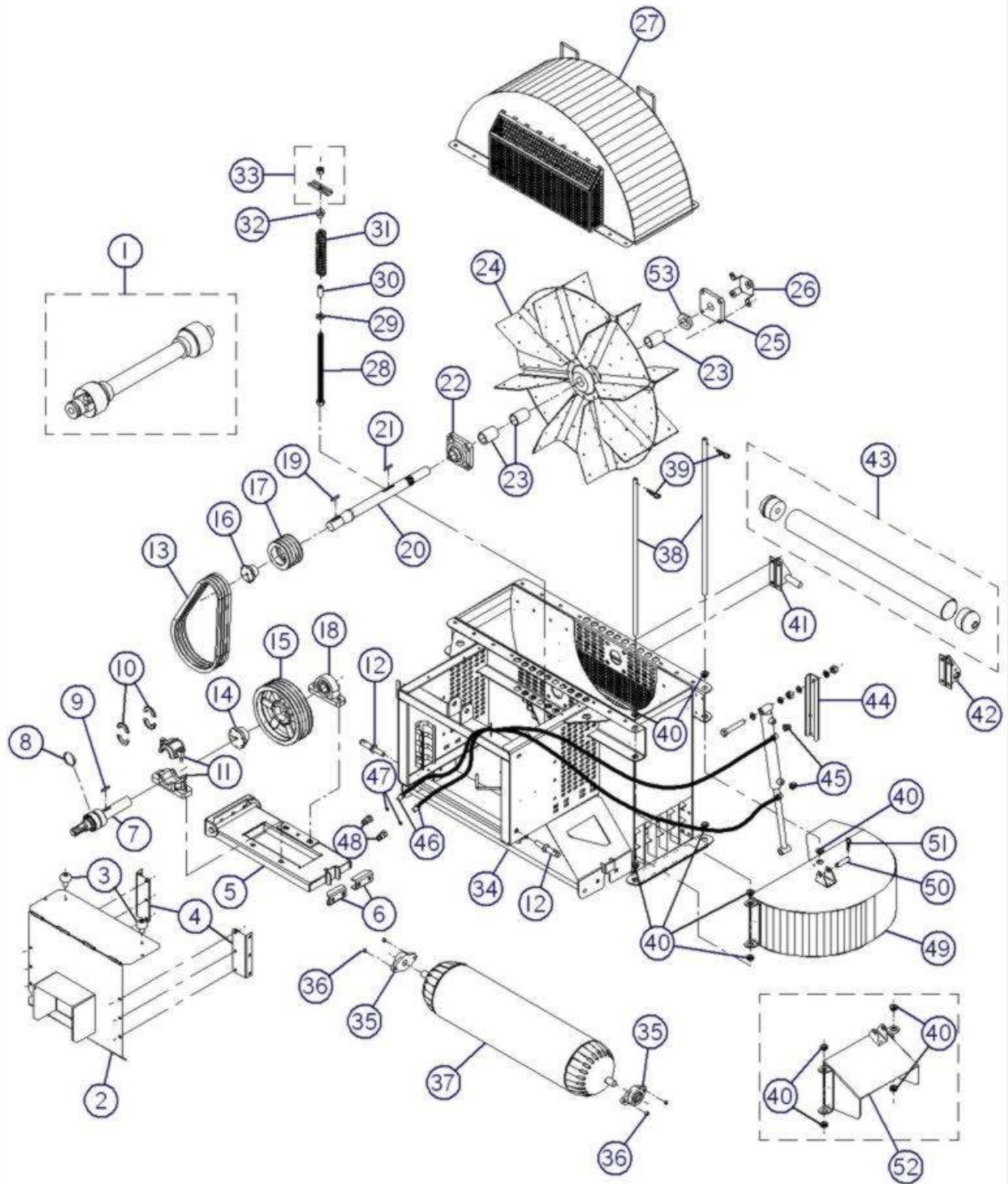


**B.W. 3500**  
**B.W. 4500**



## B.W. 3500 AND 4500 3 POINTS HITCH LEAF AND DEBRIS BLOWERS

REF.	PART NO.	DESCRIPTION	QTE
1	32-34-0030	PTO SHAFT (T60)	1
2	32-55-1040	PTO GUARD "STICKER INCLUDED"	1
3	NC17-46-0018	PLASTIC KNOB	2
4	32-50-1040	BELT GUARD SUPPORT	2
5	32-57-1047	BEARING BASE "STICKER INCLUDED"	1
6	32-04-0080	BEARING BASE STOPPER	2
7	32-55-1063	6 SPLINES SHAFT UNITS ASSY.	1
8	NC14-75-0122	SPACER (1 3/4)	2
9	12-41-0915	SQUARE KEY 3/8" X 3/8" X 1 3/4" LG	1
10	NC14-75-0123	SEAL (1 3/4)	1
11	NC14-75-0124	INNER SHAFT CAST CASING	1
12	NC01-78-0002	HITCH PIN	2
13	NC14-25-1087	V BELT BX-48 (5/8" X 51") "MOD: BW 3500"	4
N/I	NC14-25-1090	V BELT BX-51 (5/8" X 54") "MOD: BW 4500"	5
14	NC14-62-0022	TAPERED QD BUSHING SK 1 3/4" KW 3/8" "MOD: BW 3500"	1
N/I	NC14-62-0013	TAPERED QD BUSHING SF 1 3/4" "MOD: BW 4500"	1
15	NC14-62-0188	CAST IRON SHAVE PULLEY 4B11.0 SK "MOD: BW 3500"	1
N/I	NC14-62-0196	CAST IRON SHAVE PULLEY 5B124 SF "MOD: BW 4500"	1
16	NC14-62-0008	TAPERED QD BUSHING SD 1 3/4" KW 3/8" "MOD: BW 3500 & BW 4500"	1
17	NC14-62-0106	CAST IRON SHAVE PULLEY 4B5.0 SD "MOD: BW 3500"	1
N/I	NC14-62-0195	CAST IRON SHAVE PULLEY 5B50 SD "MOD: BW 4500"	1
18	NC14-75-0115	PILLOW BEARING UCP209-28 X Ø 1 3/4"	1
19	06-41-0905	SQUARE KEY 3/8" X 3/8" X 2" LG	1
20	32-13-2800	IMPELLER SHAFT	1
21	NC01-65-0103	SQUARE KEY 3/8 X 3/8 X 2 1/2" LG	1
22	NC14-75-0026	FLANGE BEARING Ø 1 3/4" UCF 209-28	1
23	32-09-1900	IMPELLER SHAFT BUSHING	3
24	32-55-1050	IMPELLER	1
25	NC14-75-0025	FLANGE BEARING	1
26	32-01-3140	BEARING GUARD	1
27	32-57-1005	COVER "STICKER INCLUDED" (MOD: 3500)	1
N/I	32-57-2005	COVER "STICKER INCLUDED" (MOD: 4500)	1
28	32-50-1020	BELT TENSION	1
29	22-04-6805	FLAT WASHER 1 33/64" Dia. X Ø 49/64"	1
30	32-42-0100	SPRING GUIDE	1
31	12-44-0015	RED SPRING 1 1/2" Dia. X 1" Ø X 8 1/2" LG	1
32	32-42-0125	SPRING CAP	1
33	32-57-1080	WING NUT ASSY.	1
34	32-57-1000	CASING "STICKER INCLUDED" (BW 3500)	1
N/I	32-57-2000	CASING "STICKER INCLUDED" (BW 4500)	1
35	32-38-0015	FLANGE BEARING UCFL 206-18 X Ø 1 1/8"	2
36	NC13-80-0061	BUSHING 5/8" X 1/2" X 3/8"	4
37	32-46-0005	TURF ROLLER	1
38	32-11-2500	DEFLECTOR GUIDE 3/4" Dia. X 33" LG	2
39	NC01-63-0026	HITCH PIN CLIPS 5/32" X 3" LG	2
40	NC17-46-0023	SLIDE BUSHING	12
41	32-43-0205	RIGHT TURF ROLLER SUPPORT	1
42	32-43-0200	LEFT TURF ROLLER SUPPORT	1
43	32-55-1070	TURF ROLLER ASSY.	1
N/I	32-11-3510	TURF ROLLER ONLY 4" Dia. X 38 1/4" LG	1
N/I	32-42-0105	NYLON CAP 4" Dia. X 3" LG	2
44	32-01-7550	HYDRAULIC CYLINDER SUPPORT	1
45	NC13-45-0142	90° FEMALE 1/4 NPT X MALE 1/4 NPT	2
46	32-55-1055	HOSE HYDR. 1/4-H ASS. 1/4-18 MALE RIG.X 1/4-18 MALE RIG.X 84" LG	2
47	32-21-0010	HYDRAULIC RESTRICTOR	2
48	NC13-45-0014	QUICK DISCON.COUPLER 1/2"-14 NPTF	2

**B.W. 3500 AND 4500 3 POINTS HITCH LEAF AND DEBRIS BLOWERS**

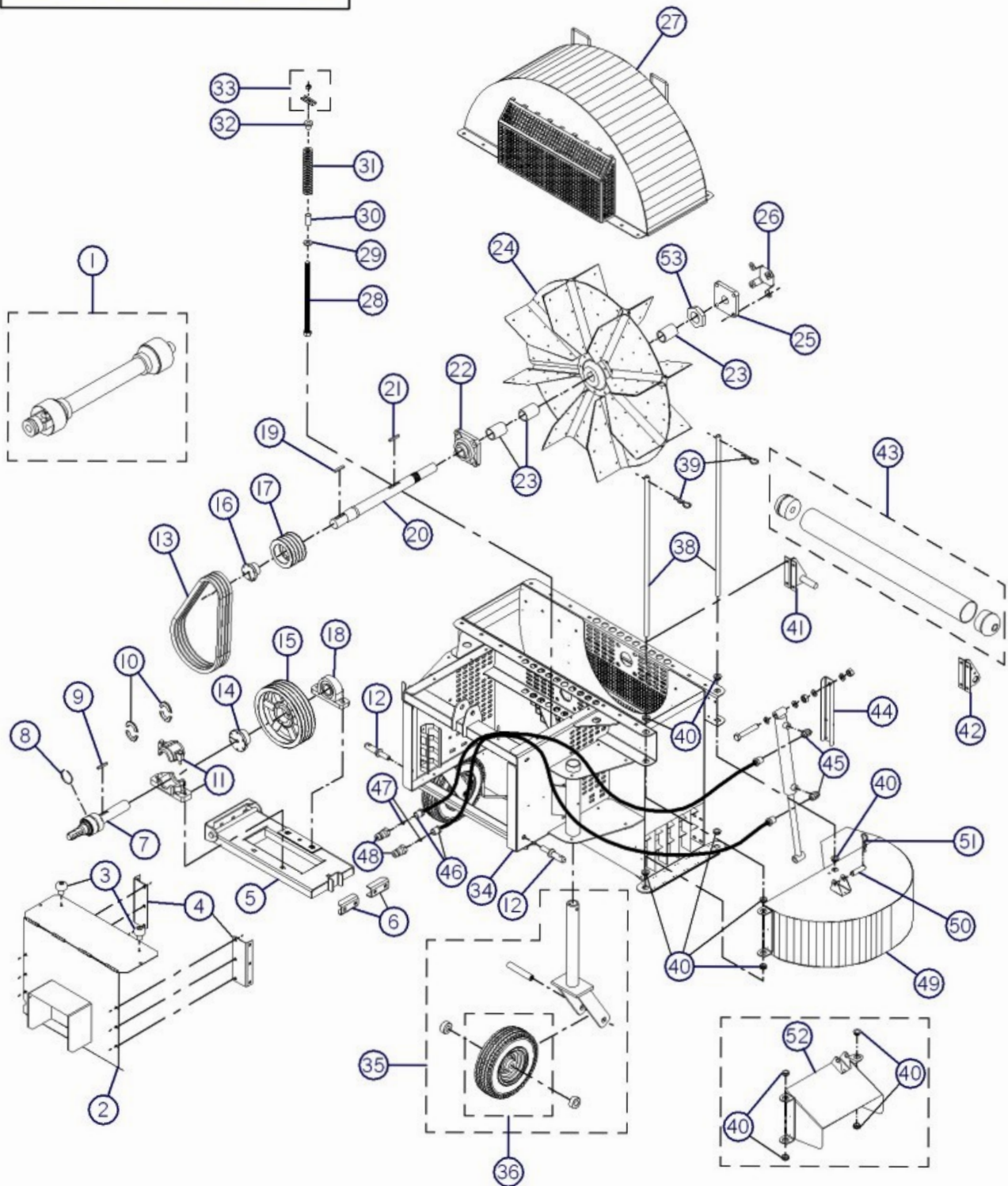
REF.	PART NO.	DESCRIPTION	QTE
49	32-57-1015	DEFLECTOR LARGE "STICKER INCLUDED"	1
50	32-21-0015	DEFLECTOR LOCK	1
51	NC01-63-0015	HITCH PIN CLIPS 1/8" X 2 5/8" LG	2
52	32-57-1017	DEFLECTOR SMALL "STICKER INCLUDED"	1
53	NC02-14-0626	HEX. LOCKNUTS 1 5/8"-12	1

**STICKER B.W. 3500 AND 4500 3 POINTS HITCH LEAF AND DEBRIS BLOWERS**

REF.	PART NO.	DESCRIPTION	QTE
N/I	32-58-1000	STICKER "KIT" (BW 3500 3 POINTS)	1
N/I	32-58-2000	STICKER "KIT" (BW 4500 3 POINTS)	1
N/I	01-60-0125	STICKER WARNING KEEP ALL GUARDS AND SHIELDS IN PLACE...	1
N/I	01-60-0115	STICKER WARNING ROTATING PART HAZARD...	1
N/I	06-60-0000	STICKER AGRIMÉTAL INC "MEDIUM"	2
N/I	03-60-0005	STICKER GREASE GUN	6
N/I	01-60-0040	STICKER MAXIMUM 540 RPM	1
N/I	NC13-33-0110	STICKER DANGER THROWN OBJECT HAZARD...	3
N/I	NC13-33-0156	STICKER CAUTION / READ OPERATOR'S MANUAL BEFORE STARTING...	1
N/I	NC13-33-0112	STICKER DANGER BLOWER BLADE HAZARD...	2
N/I	NC13-33-0113	STICKER WARNING MISSING SHIELD HAZARD...	1
N/I	NC14-85-0276	STICKER (DANGER-PLASTIC GUARD) 190.000.215	1
N/I	NC13-33-0154	STICKER IMPORTANT.(SPRING) 6 3/4" / 171 MM	1
N/I	NC13-33-0162	STICKER 89 DB "BW 3500 3 POINTS"	1
N/I	NC13-33-0166	STICKER 91 DB "BW 4500 3 POINTS"	
N/I	NC13-33-0163	STICKER LOW DECIBEL SERIES	1
N/I	NC13-33-0160	STICKER 3500	2
N/I	NC13-33-0161	STICKER 4500	2
N/I	NC13-33-0179	STICKER IMPORTANT GREASE DRIVE LINE TELESCOPIC SHAFT	1

# B.W. 3500-W

# B.W. 4500-W



**B.W. 3500 & 4500 3 POINTS HITCH LEAF AND DEBRIS BLOWERS (WHEEL)**

REF.	PART NO.	DESCRIPTION	QTE
1	32-34-0030	PTO SHAFT (T60)	1
2	32-55-1040	PTO GUARD "STICKER INCLUDED"	1
3	NC17-46-0018	PLASTIC KNOB	2
4	32-50-1040	BELT GUARD SUPPORT	2
5	32-57-1047	BEARING BASE "STICKER INCLUDED"	1
6	32-04-0080	BEARING BASE STOPPER	2
7	32-55-1063	6 SPLINES SHAFT UNITS ASSY.	1
8	NC14-75-0122	SPACER (1 3/4)	2
9	12-41-0915	SQUARE KEY 3/8" X 3/8" X 1 3/4" LG	1
10	NC14-75-0123	SEAL (1 3/4)	1
11	NC14-75-0124	INNER SHAFT CAST CASING	1
12	NC01-78-0002	HITCH PIN	2
13	NC14-25-1087	V BELT BX-48 (5/8" X 51")	4
N/I	NC14-25-1090	V BELT BX-51 (5/8" X 54")	5
14	NC14-62-0022	TAPERED QD BUSHING SK 1 3/4" KW 3/8"	1
N/I	NC14-62-0013	TAPERED QD BUSHING SF 1 3/4"	1
15	NC14-62-0188	CAST IRON SHAVE PULLEY 4B11.0 SK	1
N/I	NC14-62-0196	CAST IRON SHAVE PULLEY 5B124 SF	1
16	NC14-62-0008	TAPERED QD BUSHING SD 1 3/4" KW 3/8"	1
17	NC14-62-0106	CAST IRON SHAVE PULLEY 4B5.0 SD	1
N/I	NC14-62-0195	CAST IRON SHAVE PULLEY 5B50 SD	1
18	NC14-75-0115	PILLOW BEARING UCP209-28 X Ø 1 3/4"	1
19	06-41-0905	SQUARE KEY 3/8" X 3/8" X 2" LG	1
20	32-13-2800	IMPELLER SHAFT	1
21	NC01-65-0103	SQUARE KEY 3/8 X 3/8 X 2 1/2" LG	1
22	NC14-75-0026	FLANGE BEARING Ø 1 3/4" UCF 209-28	1
23	32-09-1900	IMPELLER SHAFT BUSHING	3
24	32-55-1050	IMPELLER	1
25	NC14-75-0025	FLANGE BEARING	1
26	32-01-3140	BEARING GUARD	1
27	32-57-1005	COVER "STICKER INCLUDED" (MOD: 3500)	1
N/I	32-57-2005	COVER "STICKER INCLUDED" (MOD: 4500)	1
28	32-50-1020	BELT TENSION	1
29	22-04-6805	FLAT WASHER 1 33/64" Dia. X Ø 49/64"	1
30	32-42-0100	SPRING GUIDE	1
31	12-44-0015	RED SPRING 1 1/2" Dia. X 1" Ø X 8 1/2" LG	1
32	32-42-0125	SPRING CAP	1
33	32-57-1080	WING NUT ASSY.	1
34	32-57-1500	CASING "STICKER INCLUDED" (BW 3500-W)	1
N/I	32-57-2500	CASING "STICKER INCLUDED" (BW 4500-W)	1
35	32-55-1500	SWIVEL WHEEL CASTER ASSY.	2
N/I	32-57-1510	SWIVEL CASTER "STICKER INCLUDED"	2
N/I	NC14-70-0024	WHEEL 12 Dia. ASSY.	2
N/I	12-13-1405	WHEEL AXLE 1" Dia. X 5 5/8" LG	2
N/I	04-42-0135	AXLE BUSHING 2" Dia. X 7/8" LG	4
36	NC14-70-0024	WHEEL 12 Dia. ASSY.	2
N/I	NC14-70-0047	TIRE	2
N/I	NC14-70-0037	RIM	2
N/I	NC14-70-0028	TUBE	2
N/I	NC14-70-0027	ROLLER BEARING	2
N/I	04-13-3400	SHOULDER BUSHING 2 3/8" Dia. X Ø 1 1/64" X 1/2" LG	4
N/I	NC01-69-0785	GREASE FITTING 1/4"-28 (STRAIGHT)	2
38	32-11-2500	DEFLECTOR GUIDE 3/4" Dia. X 33" LG	2
39	NC01-63-0026	HITCH PIN CLIPS 5/32" X 3" LG	2
40	NC17-46-0023	SLIDE BUSHING	12
41	32-43-0205	RIGHT TURF ROLLER SUPPORT	1

**B.W. 3500 & 4500 3 POINTS HITCH LEAF AND DEBRIS BLOWERS (WHEEL)**

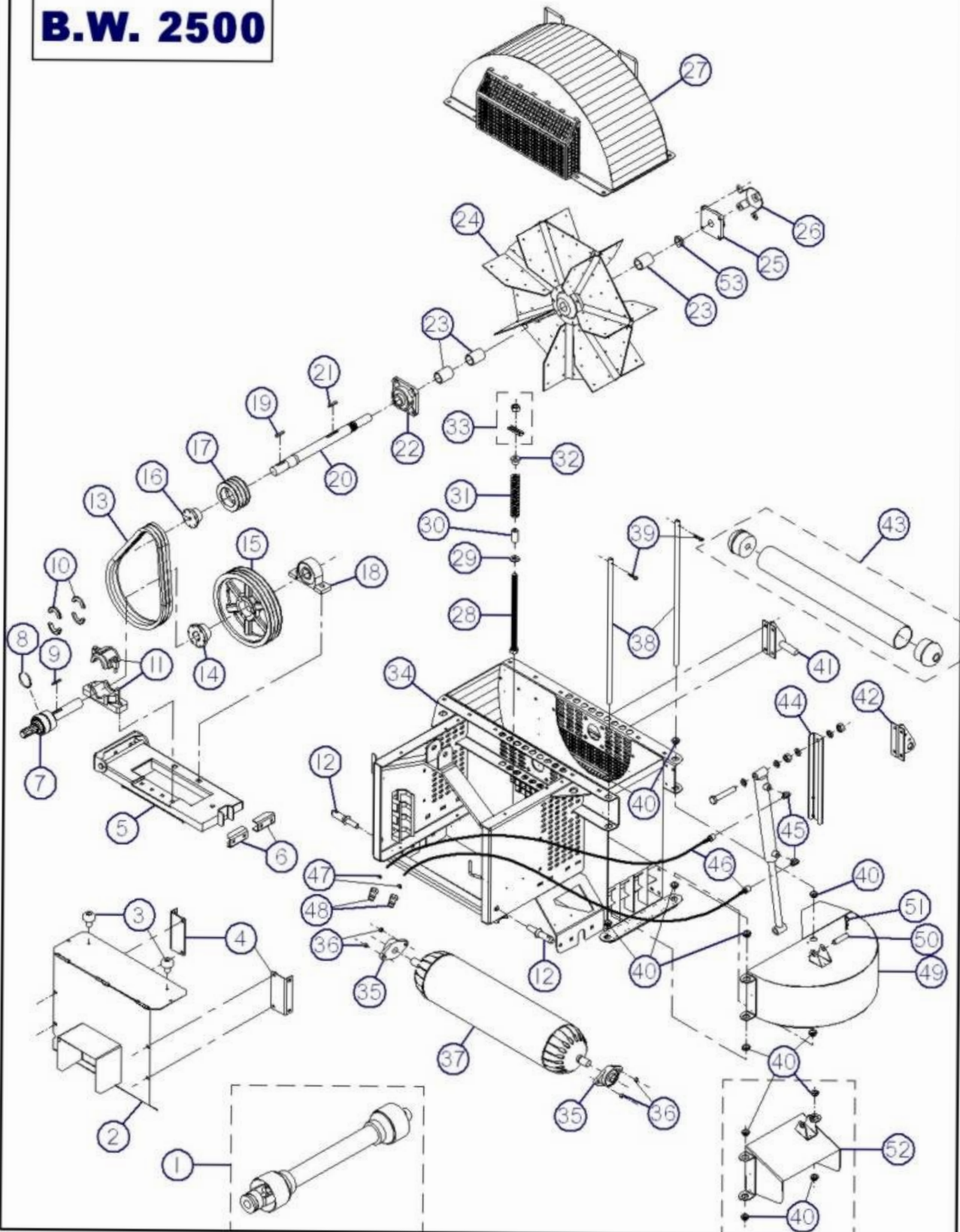
REF.	PART NO.	DESCRIPTION	QTE
42	32-43-0200	LEFT TURF ROLLER SUPPORT	1
43	32-55-1070	TURF ROLLER ASSY.	1
N/I	32-11-3510	TURF ROLLER ONLY 4" Dia. X 38 1/4" LG	1
N/I	32-42-0105	NYLON CAP 4" Dia. X 3" LG	2
44	32-01-7550	HYDRAULIC CYLINDER SUPPORT	1
45	NC13-45-0142	90° FEMALE 1/4 NPT X MALE 1/4 NPT	2
46	32-55-1055	HOSE HYDR. 1/4-H ASS. 1/4-18 MALE RIG.X 1/4-18 MALE RIG.X 84" LG	2
47	32-21-0010	HYDRAULIC RESTRICTOR	2
48	NC13-45-0014	QUICK DISCON.COUPLER 1/2"-14 NPTF	2
49	32-57-1015	DEFLECTOR LARGE "STICKER INCLUDED"	1
50	32-21-0015	DEFLECTOR LOCK	1
51	NC01-63-0015	HITCH PIN CLIPS 1/8" X 2 5/8" LG	2
52	32-57-1017	DEFLECTOR SMALL "STICKER INCLUDED"	1
53	NC02-14-0626	HEX. LOCKNUTS 1 5/8"-12	1

**STICKER B.W. 3500 & 4500 3 POINTS HITCH LEAF AND DEBRIS BLOWERS (WHEEL)**

REF.	PART NO.	DESCRIPTION	QTE
N/I	32-58-1000	STICKER "KIT" (BW 3500 3 POINTS)	1
N/I	32-58-2000	STICKER "KIT" (BW 4500 3 POINTS)	1
N/I	01-60-0125	STICKER WARNING KEEP ALL GUARDS AND SHIELDS IN PLACE...	1
N/I	01-60-0115	STICKER WARNING ROTATING PART HAZARD...	1
N/I	06-60-0000	STICKER AGRIMÉTAL INC "MEDIUM"	2
N/I	03-60-0005	STICKER GREASE GUN	8
N/I	01-60-0040	STICKER MAXIMUM 540 RPM	1
N/I	NC13-33-0110	STICKER DANGER THROWN OBJECT HAZARD...	3
N/I	NC13-33-0156	STICKER CAUTION / READ OPERATOR'S MANUAL BEFORE STARTING...	1
N/I	NC13-33-0112	STICKER DANGER BLOWER BLADE HAZARD...	2
N/I	NC13-33-0113	STICKER WARNING MISSING SHIELD HAZARD...	1
N/I	NC14-85-0276	STICKER (DANGER-PLASTIC GUARD) 190.000.215	1
N/I	NC13-33-0154	STICKER IMPORTANT.(SPRING) 6 3/4" / 171 MM	1
N/I	NC13-33-0162	STICKER 89 DB	1
N/I	NC13-33-0166	STICKER 91 DB	1
N/I	NC13-33-0163	STICKER LOW DECIBEL SERIES	1
N/I	NC13-33-0160	STICKER 3500	2
N/I	NC13-33-0161	STICKER 4500	2
N/I	NC13-33-0179	STICKER IMPORTANT GREASE DRIVE LINE TELESCOPIC SHAFT	1



# B.W. 2500



## B.W. 2500 3 POINTS HITCH LEAF AND DEBRIS BLOWERS

REF.	PART NO.	DESCRIPTION	QTE
1	32-34-0040	PTO SHAFT (T40)	1
2	32-55-3040	PTO GUARD "STICKER INCLUDED"	1
3	NC17-46-0018	PLASTIC KNOB	2
4	32-50-3040	BELT GUARD SUPPORT	2
5	32-57-3020	BEARING BASE "STICKER INCLUDED"	1
6	32-01-1125	BEARING BASE STOPPER	2
7	32-55-3063	6 SPLINES SHAFT UNITS ASSY.	1
8	NC14-75-0129	SPACER (1 1/2)	1
9	NC01-65-0100	SQUARE KEY 3/8" X 3/8" X 1 3/4" LONG	1
10	NC14-75-0130	SEAL (1 1/2)	1
11	NC14-75-0131	INNER SHAFT CAST CASING	1
12	NC01-78-0002	HITCH PIN	2
13	NC14-25-1088	V BELT BX-49 (5/8" X 52")	3
14	NC14-62-0021	TAPERED QD BUSHING SK 1 1/2" KW 3/8"	1
15	NC14-62-0138	CAST IRON SHAVE PULLEY 3B12.4 SK	1
16	NC14-62-0007	TAPERED QD BUSHING SD 1 1/2"	1
17	NC14-62-0198	CAST IRON SHAVE PULLEY 3B46 SD	1
18	NC14-75-0035	PILLOW BEARING UCP 208-24 X Ø 1 1/2"	1
19	32-41-0900	SQUARE KEY 3/8" X 3/8" X 2 1/4" LG	1
20	NC17-94-0008	IMPELLER SHAFT	1
21	09-41-0900	SQUARE KEY 3/8" X 3/8" X 1 1/2" LG	1
22	NC14-75-0025	FLANGE BEARING	1
23	32-09-2000	IMPELLER SHAFT BUSHING	3
24	32-55-3050	IMPELLER	1
25	NC14-75-0024	FLANGE BEARING	1
26	12-01-3051	BEARING PROTECTOR (BW 240)	1
27	32-57-3005	COVER "STICKER INCLUDED"	1
28	32-50-3030	BELT TENSION	1
29	NC02-22-0013	FLAT WASHER 1 1/2" X Ø 5/8"	1
30	32-42-0135	SPRING GUIDE	1
31	12-44-0015	RED SPRING 1 1/2" Dia. X 1" Ø X 8 1/2" LG	1
32	32-42-0130	SPRING CAP	1
33	32-57-3080	WING NUT ASSY.	1
34	32-57-3010	CASING "STICKER INCLUDED"	1
35	32-38-0015	FLANGE BEARING UCFL 206-18 X Ø 1 1/8"	2
36	NC13-80-0061	BUSHING 5/8" X 1/2" X 3/8"	4
37	32-46-0000	TURF ROLLER	1
38	32-11-2505	DEFLECTOR GUIDE	2
39	NC01-63-0026	HITCH PIN CLIPS 5/32" X 3" LG	2
40	NC17-46-0023	SLIDE BUSHING	12
41	32-43-0205	RIGHT TURF ROLLER SUPPORT	1
42	32-43-0200	LEFT TURF ROLLER SUPPORT	1
43	32-55-3070	TURF ROLLER ASSY.	1
N/I	32-11-3520	TURF ROLLER ONLY 4" Dia. X 30 3/8" LG	1
N/I	32-42-0105	NYLON CAP 4" Dia. X 3" LG	2
44	32-01-7565	CYLINDER SUPPORT	1
45	NC13-45-0142	90° FEMALE 1/4 NPT X MALE 1/4 NPT	2
46	32-55-1055	HOSE HYDR. 1/4-H ASS. 1/4-18 MALE RIG.X 1/4-18 MALE RIG.X 84" LG	2
47	32-21-0010	HYDRAULIC RESTRICTOR	2
48	NC13-45-0014	QUICK DISCON.COUPLER 1/2"-14 NPTF	2
49	32-57-4260	DEFLECTOR LARGE "STICKER INCLUDED"	1
50	32-21-0015	DEFLECTOR LOCK	1
51	NC01-63-0015	HITCH PIN CLIPS 1/8" X 2 5/8" LG	2
52	32-57-3017	DEFLECTOR SMALL "STICKER INCLUDED"	1
53	NC01-98-0022	NYLON INSERT LOCKNUTS 1 3/8"-12	1

**STICKER B.W. 2500 3 POINTS HITCH LEAF AND DEBRIS BLOWERS**

REF.	PART NO.	DESCRIPTION	QTE
N/I	32-58-3000	STICKER "KIT" (BW 2500 3 POINTS)	1
N/I	01-60-0115	STICKER WARNING ROTATING PART HAZARD...	1
N/I	01-60-0125	STICKER WARNING KEEP ALL GUARDS AND SHIELDS IN PLACE...	1
N/I	03-60-0005	STICKER GREASE GUN	6
N/I	01-60-0040	STICKER MAXIMUM 540 RPM	1
N/I	06-60-0000	STICKER AGRIMÉTAL INC "MEDIUM"	2
N/I	NC13-33-0110	STICKER DANGER THROWN OBJECT HAZARD...	3
N/I	NC13-33-0156	STICKER CAUTION / READ OPERATOR'S MANUAL BEFORE STARTING...	1
N/I	NC13-33-0112	STICKER DANGER BLOWER BLADE HAZARD...	2
N/I	NC13-33-0113	STICKER WARNING MISSING SHIELD HAZARD...	1
N/I	NC13-33-0167	STICKER 90 DB	1
N/I	NC13-33-0120	STICKER IMPORTANT.(SPRING) 7" / 177 MM	1
N/I	NC13-33-0163	STICKER LOW DECIBEL SERIES	1
N/I	NC13-33-0158	STICKER 2500	2
N/I	NC13-33-0179	STICKER IMPORTANT GREASE DRIVE LINE TELESCOPIC SHAFT	1