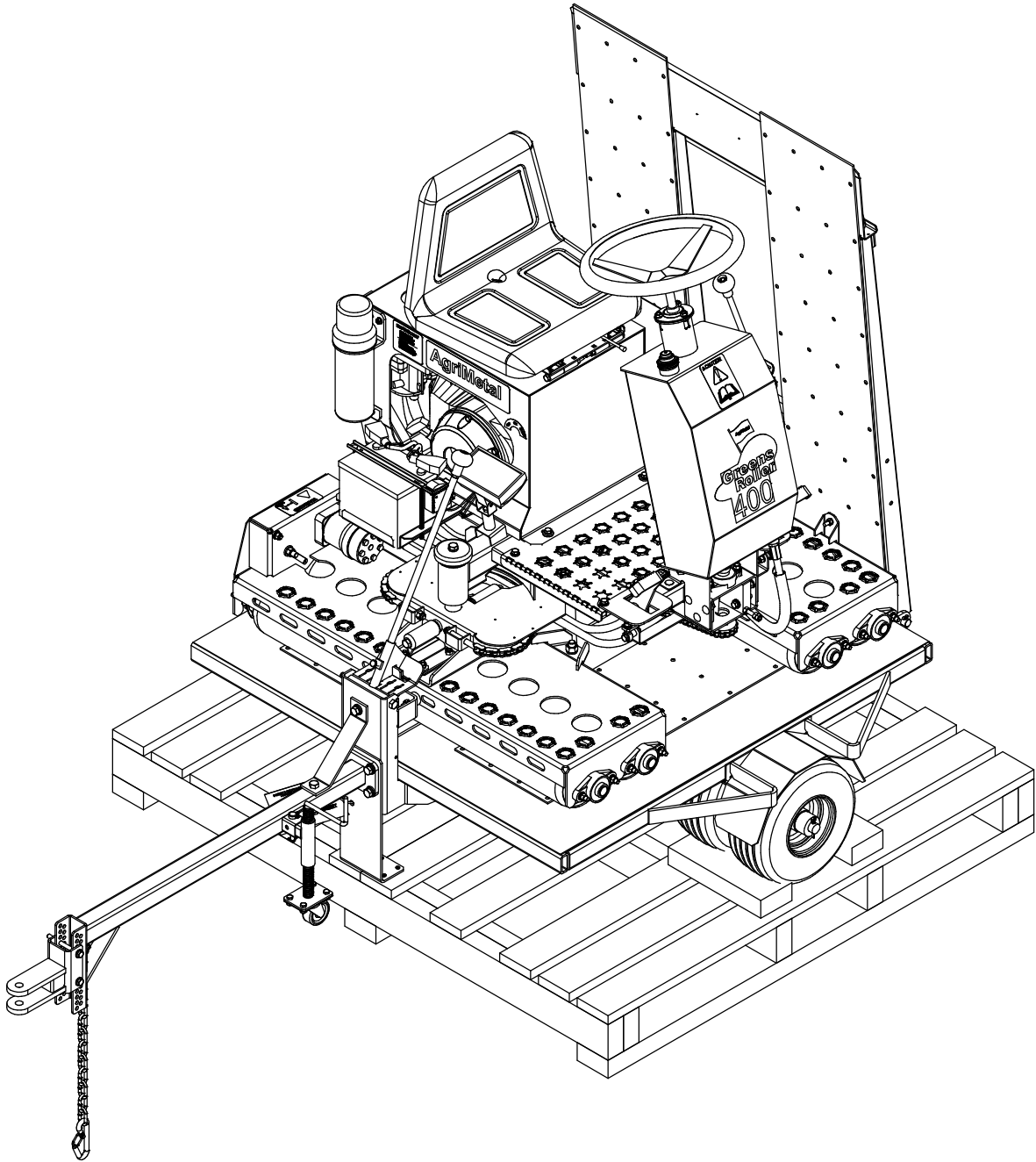


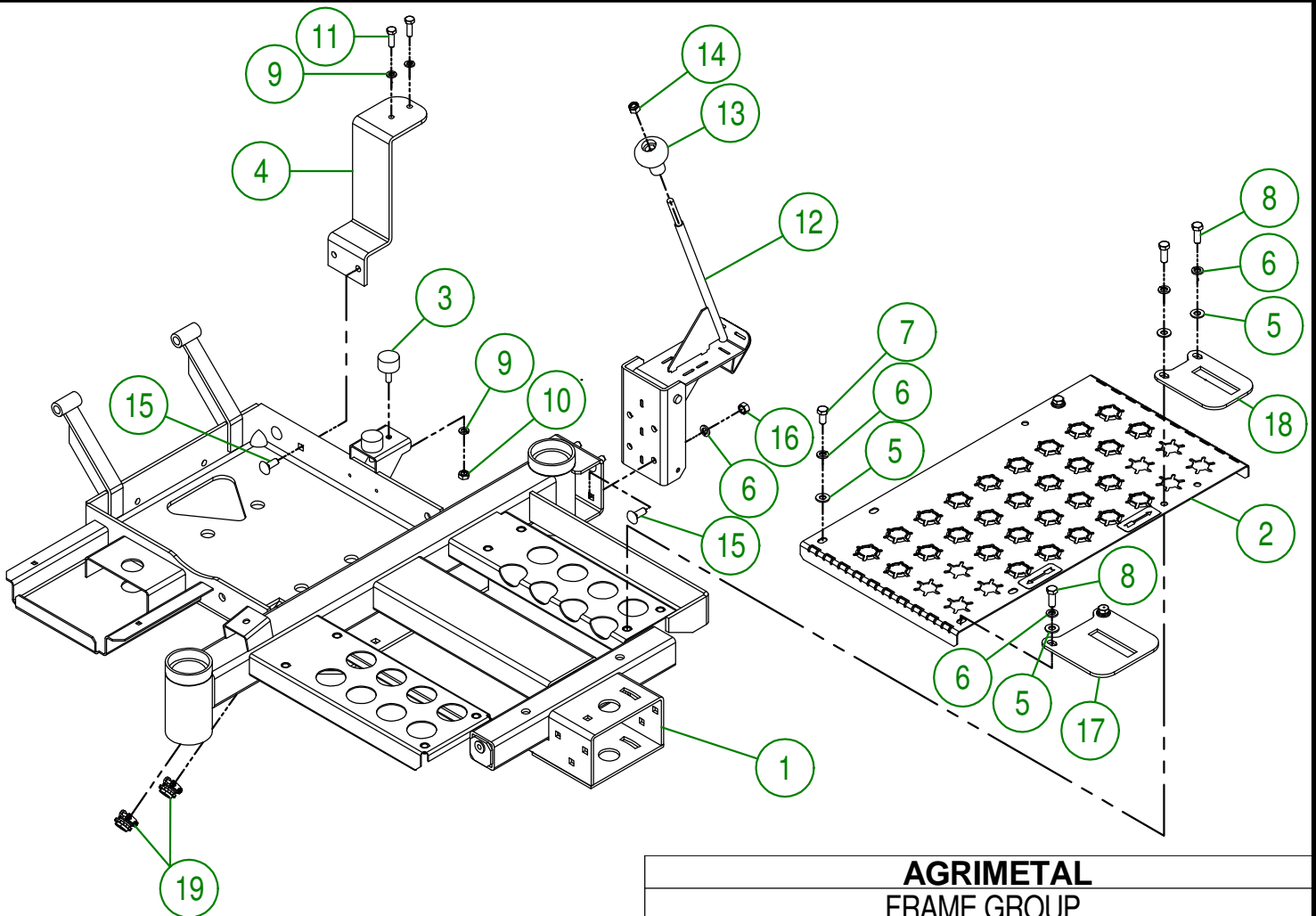
AgriMetal

PARTS LIST



GR-400-B (4 WHEELS)

#	PART #	Qty	TITLE
1	39-50-0501	1	FRAME
2	39-57-0125	1	FOOTBOARD "STICKER INCLUDED"
3	NC13-15-0034	2	RUBBER ABSORBER
4	39-50-0020	1	OIL FILTER HOLDER
5	01-01-2485	6	FLAT WASHER
6	NC02-32-0012	13	LOCK WASHER ZINC 3/8"
7	NC01-17-0112	2	HEX. BOLT GR2 ZINC 3/8-16 X 3/4"
8	NC01-17-0114	4	HEX. BOLT GR2 ZINC 3/8-16 X 1"
9	NC02-32-0011	4	LOCK WASHER ZINC 5/16"
10	NC02-07-0017	2	HEX. NUT 5/16-18
11	NC01-17-0060	2	HEX. BOLT GR2 ZINC 5/16-18 X 1"
12	39-50-0565	1	RAMP LOCK
13	NC17-46-0018	1	HANDLE KNOB
14	NC01-96-0011	1	NYLON NUT 3/8-16
15	NC01-04-0109	6	CARR. BOLT GR2 ZINC 3/8-16 X 1"
16	NC02-07-0018	6	HEX. NUT ZINC 3/8-16
17	39-04-0185	1	STOPPER PLATE FOR PEDAL (RIGHT)
18	39-04-0187	1	STOPPER PLATE FOR PEDAL (LEFT)
19	NC13-25-0378	2	WHITE METAL CONNECTOR



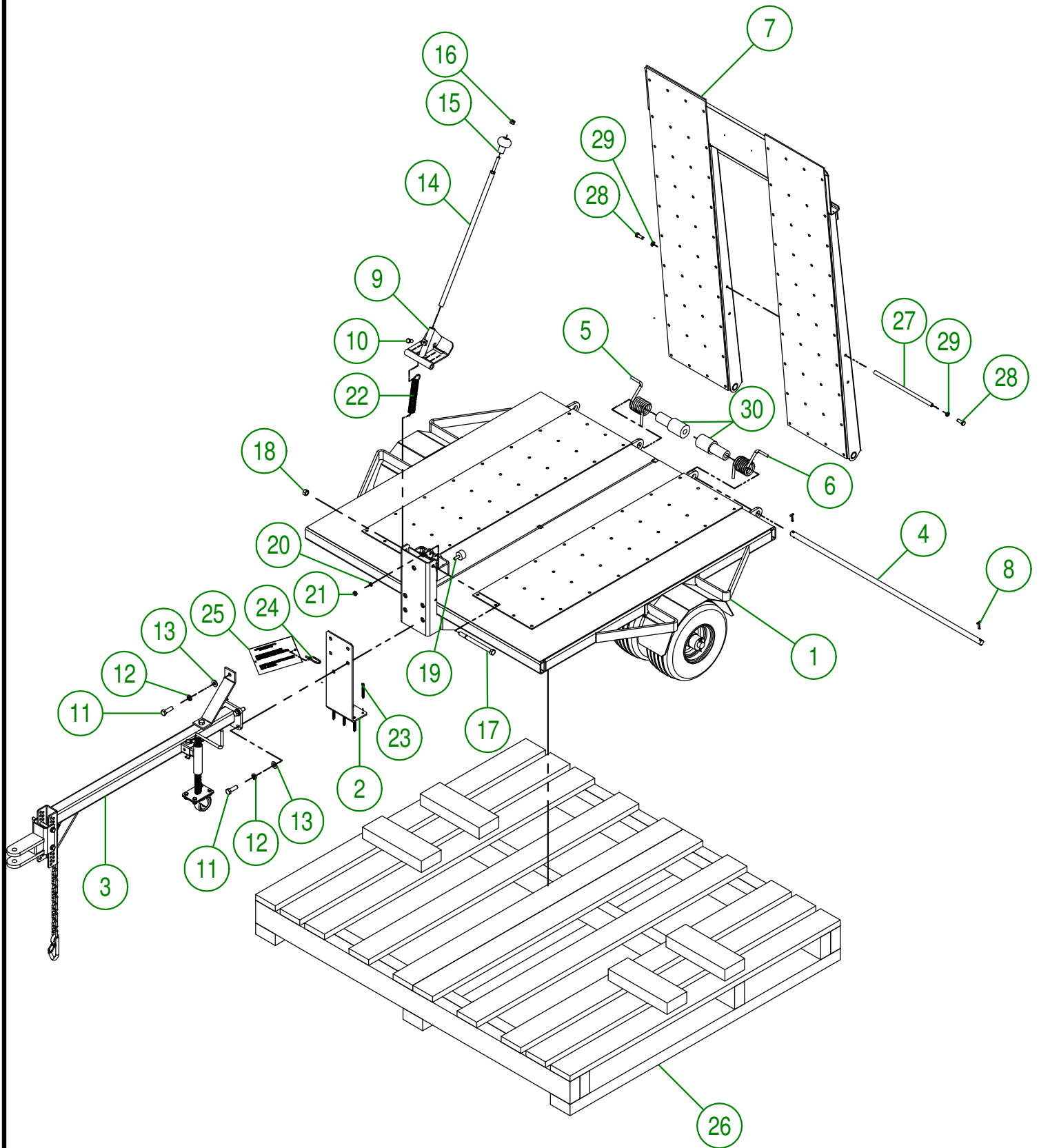
AGRIMETAL
FRAME GROUP

CREATION : 30/04/18
REVISION : 07/05/18

ASSEMBLY : **39-57-0501**

AUTHOR : J.KABWE

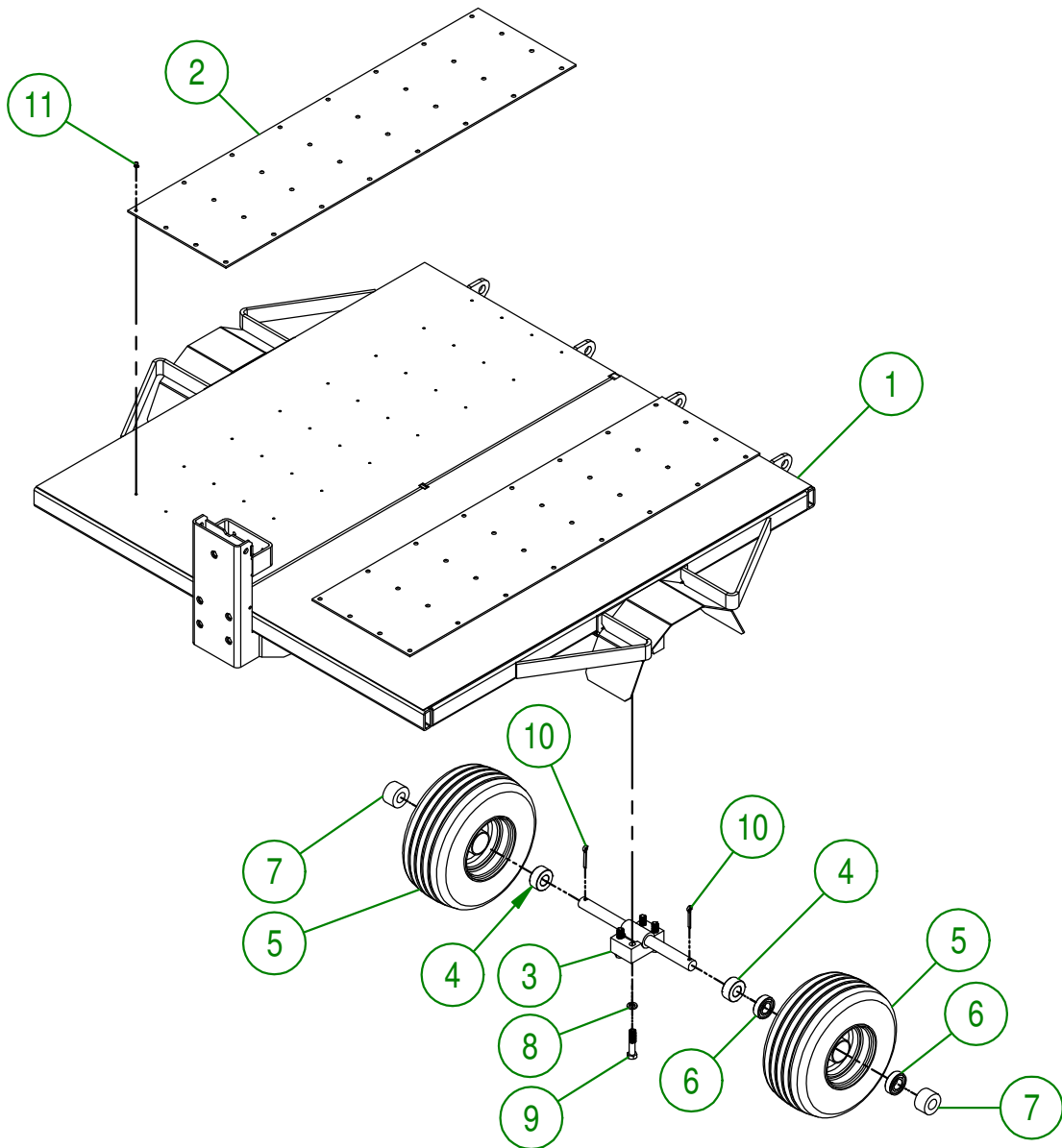
Page 1 de 27



AGRIMETAL	
TRAILER (4 WHEELS) & PALLET OF TRANSPORT	
CREATION : 30/04/18	ASSEMBLY : 39-55-0502
REVISION : 28/02/19	AUTHOR : J.KABWE Page 2 de 27

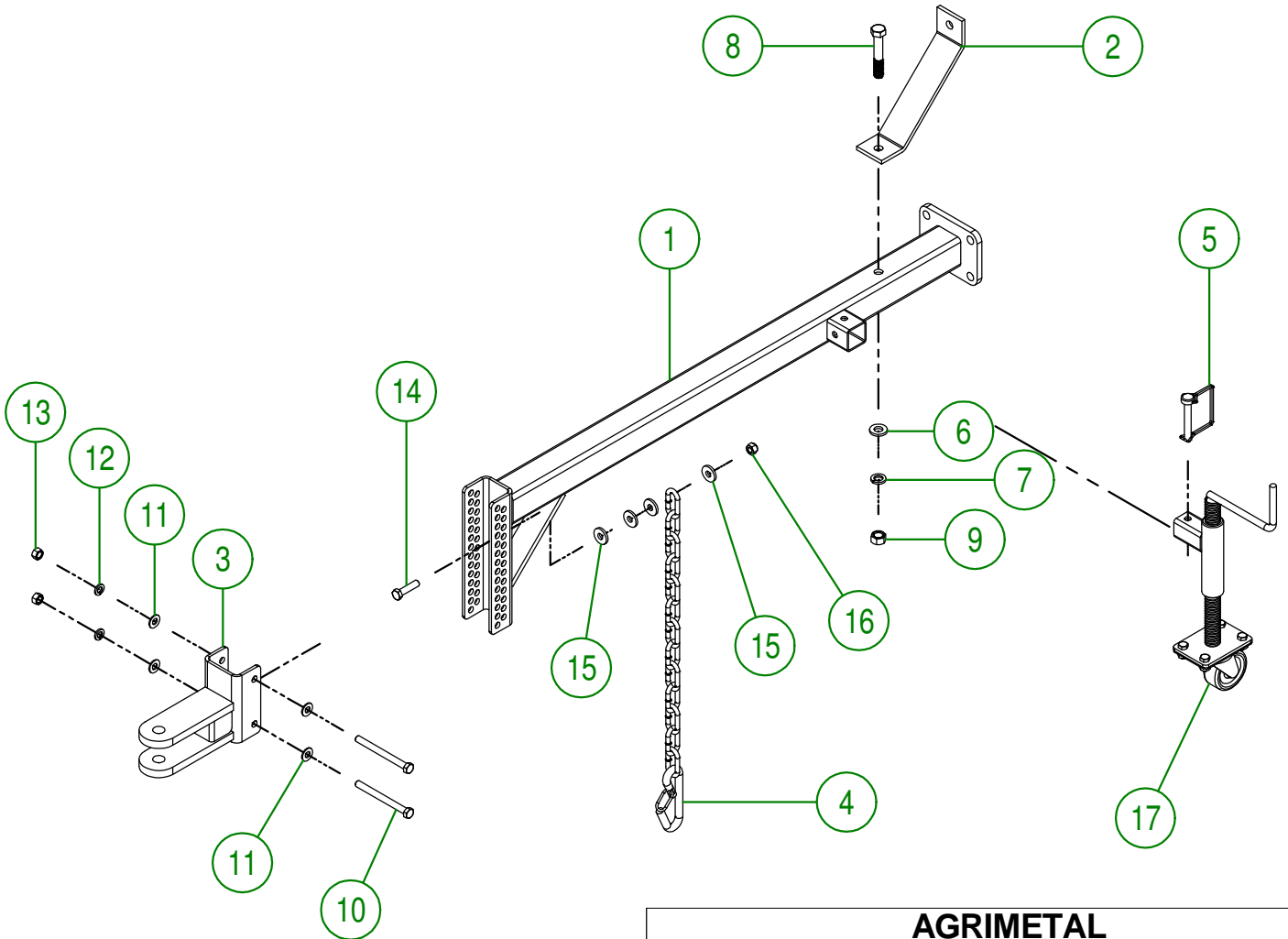
#	PART #	Qty	TITLE
1	39-55-0501	1	TRAILER (4 WHEELS) (WITHOUT RAMP, DRAWBAR & SINK)
2	39-04-0105	1	TRAILER SUPPORT (TRANSPORT)
3	39-55-0310	1	DRAWBAR
4	39-13-0640	1	PIVOT RAMP
5	NC13-85-0053	1	TRAILER RAMP SPRING
6	NC13-85-0054	1	TRAILER RAMP SPRING
7	39-55-0810	1	RAMP
8	NC01-69-0159	2	COTTER PIN ZINC 3/16 X 1 1/2"
9	39-50-0335	1	HOOK LOCK
10	NC01-17-0112	1	HEX. BOLT GR2 ZINC 3/8-16 X 3/4"
11	NC01-17-0249	5	HEX. BOLT GR2 ZINC 1/2-13 X 1 1/2"
12	NC02-32-0014	5	LOCK WASHER ZINC 1/2"
13	01-01-0925	5	WASHER
14	39-50-0330	1	MACHINE LOCK LEVER
15	NC17-46-0018	1	HANDLE KNOB
16	NC01-96-0011	1	NYLON NUT 3/8-16
17	NC01-37-0269	1	HEX. BOLT GR8 ZINC 1/2-20 X 6 1/2" LG
18	NC01-94-0013	1	NYLON NUT ZINC 1/2-20"
19	NC13-15-0034	3	RUBBER ABSORBER
20	NC02-32-0011	3	LOCK WASHER ZINC 5/16"
21	NC02-07-0017	3	HEX. NUT 5/16-18
22	NC13-85-0008	4	GALVANISED SPRING
23	NC02-34-0063	6	FLAT HEAD SCREW FOR WOOD NO.12 X 2 1/2"
24	NC13-25-0019	1	NYLON CABLE TIE
25	NC13-50-0136	1	*WARNING PLEASE UNLOAD* POSTER
26	NC13-30-0273	1	GREEN ROLLER 400 PALLET
27	39-13-0630	1	RAMP SHAFT
28	NC01-17-0114	2	HEX. BOLT GR2 ZINC 3/8-16 X 1"
29	NC02-32-0012	2	LOCK WASHER ZINC 3/8"
30	39-42-0125	2	SPRING BUSHING

#	PART #	Qty	TITLE
1	39-50-0800	1	TRAILER
2	39-42-0045	2	TRAILER RUBBER
3	39-50-0321	2	TRAILER AXLE
4	04-42-0135	4	WHEELS BUSHING
5	NC14-70-0276	4	WHEELS
6	NC14-75-0070	8	6205-2RS BEARING
7	39-42-0115	4	WHEEL AXLE RING
8	NC02-32-0014	8	LOCK WASHER ZINC 1/2"
9	NC01-33-0253	8	HEX. BOLT GR8 ZINC 1/2-13 X 2 1/2"
10	NC01-69-0180	4	COTTER PIN 1/4 X 1 3/4"
11	NC01-78-0300	64	RIVETS AC. AV. SUPR. TI. AC. .187 X .515 CAP. RIVET .270



AGRIMETAL	
TRAILER (4 WHEELS) (WITHOUT RAMP, DRAWBAR & SINK)	
CREATION : 30/04/18	ASSEMBLY : 39-55-0501
REVISION : 28/02/19	AUTHOR : J.KABWE Page 4 de 27

#	PART #	Qty	TITLE
1	39-50-0325	1	DRAWBAR
2	39-04-0250	1	DRAWBAR HOLDER
3	33-50-0055	1	WELD ASSEMBLY HAND
4	NC13-80-0228	1	DRAWBAR SAFETY CHAIN
5	NC01-69-1306	1	LOCKING PIN 3/8" X 2 1/2" LG
6	01-01-0925	1	WASHER
7	NC02-32-0014	1	LOCK WASHER ZINC 1/2"
8	NC01-17-0255	1	HEX. BOLT GR2 ZINC 1/2-13 X 3"
9	NC02-07-0020	1	HEX. NUT ZINC 1/2-13
10	NC01-25-0126	2	HEX. BOLT GR5 ZINC 3/8-16 X 4"
11	01-01-2485	4	FLAT WASHER
12	NC02-32-0012	2	LOCK WASHER ZINC 3/8"
13	NC02-07-0018	2	HEX. NUT ZINC 3/8-16
14	NC01-17-0116	1	HEX. BOLT GR2 ZINC 3/8-16 X 1 1/2"
15	21-01-0950	4	FLAT WASHER IOGA 1.005" DIA X 25/64"
16	NC01-96-0011	1	NYLON NUT 3/8-16
17	33-55-0595	1	ASSEMBLY LEG



AGRIMETAL
DRAWBAR

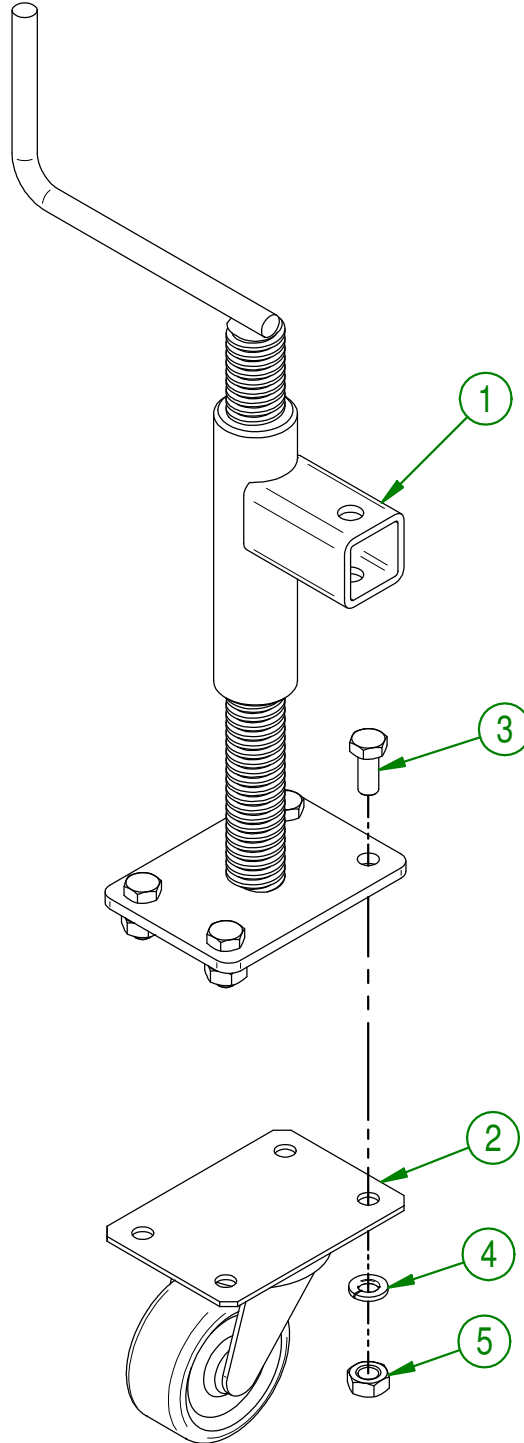
CREATION : 08/06/17
REVISION : 04/05/18

ASSEMBLY : **39-55-0310**

AUTHOR : J.HOULE

Page 5 de 27

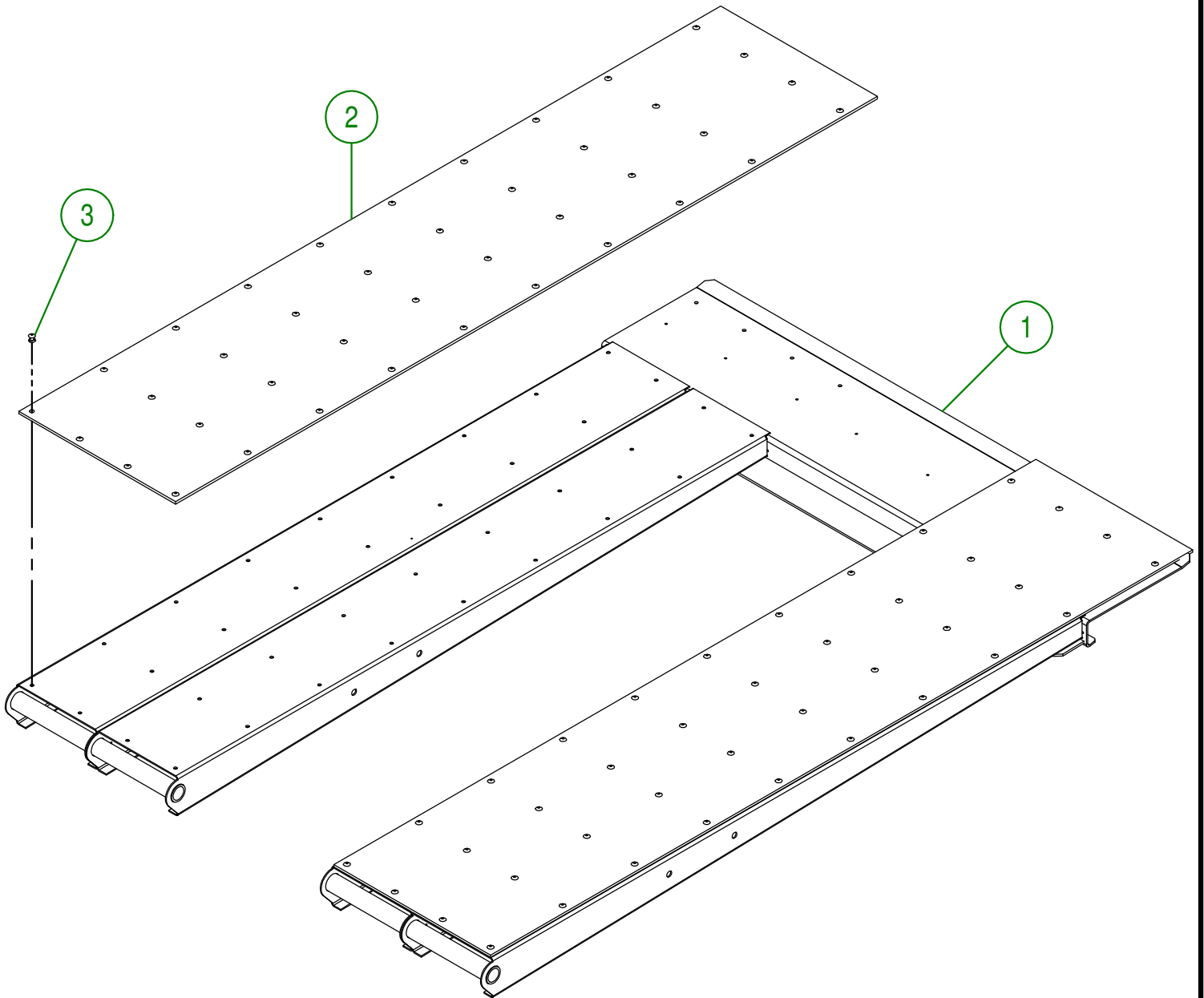
#	PART #	Qty	TITLE
1	33-50-0576	1	WELD ASSEMBLY LEG
2	NC14-70-0323	1	CASTER 1" X 2 1/4"
3	NC01-17-0058	4	HEX. BOLT GR2 ZINC 5/16-18 X 3/4"
4	NC02-32-0011	4	LOCK WASHER ZINC 5/16"
5	NC02-07-0017	4	HEX. NUT 5/16-18



AGRIMETAL	
ASSEMBLY LEG	
CREATION : 13/11/17	ASSEMBLY : 33-55-0595
REVISION : 24/01/18	AUTHOR : J.KABWE Page 6 de 27

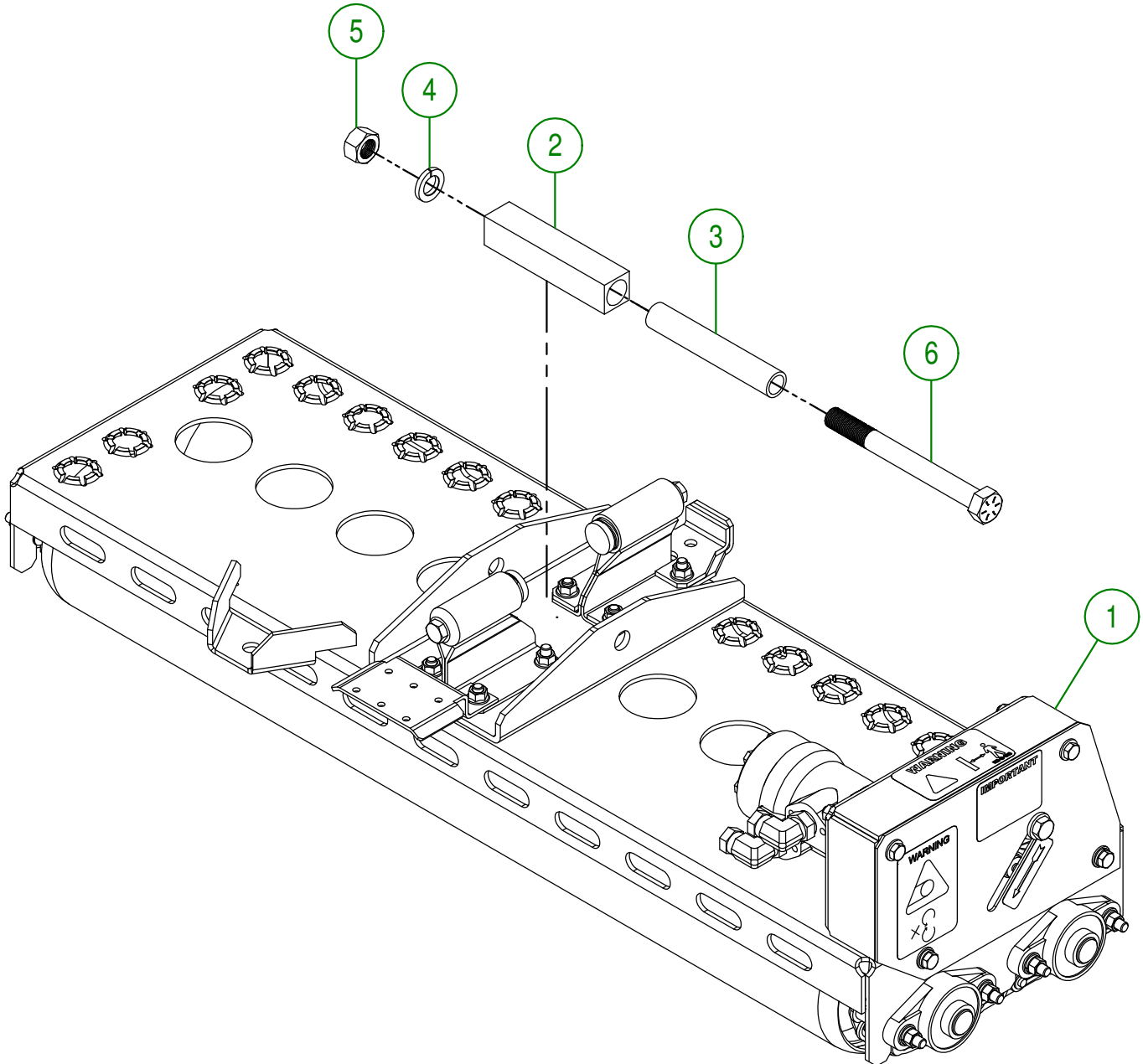
39-55-0810

#	PART #	Qty	TITLE
1	39-50-0810	1	TRAILER RAMP
2	39-42-0030	2	RAMP RUBBER
3	NC01-78-0300	80	RIVETS AC. AV. SUPR. TI. AC. .187 X .515 CAP. RIVET .270



AGRIMETAL	
RAMP	
CREATION : 30/04/18	ASSEMBLY : 39-55-0810
REVISION : 30/04/18	AUTHOR : J.KABWE Page 7 de 27

#	PART #	Qty	TITLE
1	39-55-0505	1	ROLLER & HOUSING ASSY. (RIGHT)
2	39-42-0703	1	PIVOTING BLOCK
3	39-09-1207	1	BUSHING
4	NC02-32-0017	1	LOCK WASHER ZINC 3/4"
5	NC02-11-0023	1	NUT 3/4-16
6	NC01-37-0484	1	HEX BOLT. GR8 NF ZINC 3/4-16 X 7 1/2"



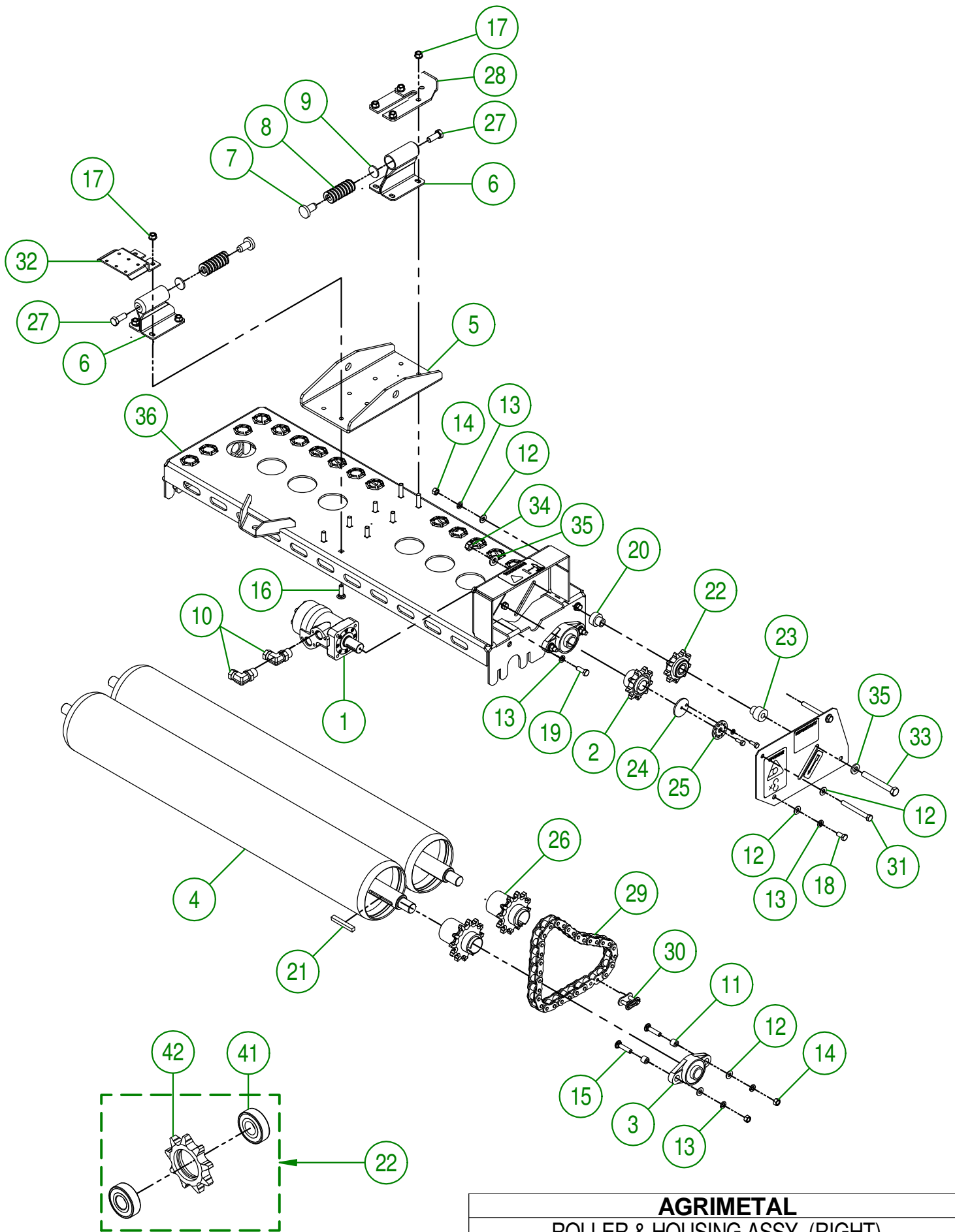
AGRIMETAL
RIGHT ROLLER GROUP

CREATION : 25/04/18
 REVISION : 25/04/18

ASSEMBLY : **39-57-0600**

AUTHOR : J.KABWE

Page 8 de 27



AGRIMETAL	
ROLLER & HOUSING ASSY. (RIGHT)	
CREATION : 25/04/18	ASSEMBLY : 39-55-0505
REVISION : 25/04/18	AUTHOR : J.KABWE Page 9 de 27

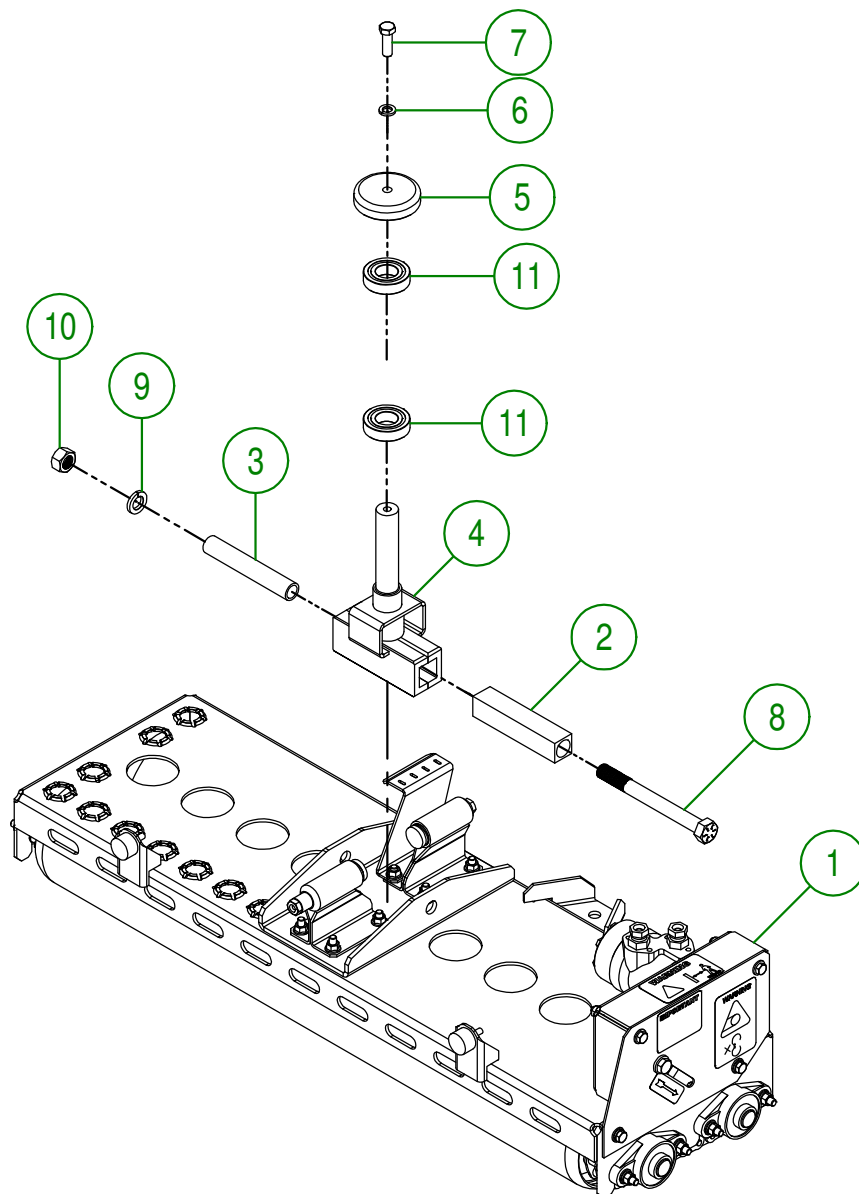
39-55-0505

#	PART #	Qty	TITLE
1	NC14-45-0041	1	100cc HYDRAULIC MOTOR
2	39-50-0056	1	HYDRAULIC MOTOR SPROCKET
3	NC14-75-0019	4	FLANGE PILLOW BLOCK BEARING
4	39-50-0596	2	ROLLER
5	39-04-0227	1	ROLLER SUPPORT
6	39-50-0045	2	SPRING GUIDE
7	39-42-0100	2	SPRING TIP
8	NC13-86-0159	2	RED SPRING I 1/4"OD X 5/8"ID X 2" LG
9	39-01-1000	2	SPRING GUIDE WASHER
10	NC13-45-0072	2	ELBOW 90 7/8-14 MALE SAE10 O-RING X 3/8 FEM. TOUR. NPT
11	01-09-0000	8	BEARING RACE (UCFL205-16)
12	01-01-2485	14	FLAT WASHER
13	NC02-32-0012	16	LOCK WASHER ZINC 3/8"
14	NC02-07-0018	10	HEX. NUT ZINC 3/8-16
15	NC01-04-0111	10	CARR. BOLT GR2 ZINC 3/8-16 X 1 1/2"
16	NC01-04-0110	6	CARR. BOLT GR2 ZINC 3/8-16 X 1 1/4"
17	NC02-14-0019	8	FLANGE NUT HEX. NC 3/8-16 GR. B
18	NC01-17-0112	2	HEX. BOLT GR2 ZINC 3/8-16 X 3/4"
19	NC01-17-0114	4	HEX. BOLT GR2 ZINC 3/8-16 X 1"
20	39-21-0050	1	CHAIN TENSIONER SHAFT (SHORT)
21	48-41-0905	2	SQUARE KEY 3/8" X 2 3/4" LG
22	39-55-0135	1	CHAIN TENSIONER SPROCKET
23	39-21-0053	1	CHAIN TENSIONER SHAFT (LONG)
24	39-01-1096	1	SPROCKET WASHER
25	39-01-1101	1	SPROCKET WASHER LOCK
26	39-50-0051	2	ROLLER SPROCKET
27	NC01-17-0248	2	HEX. BOLT GR2 ZINC 1/2-13 X 1 1/4"
28	39-50-0310	1	TRAILER HOOK (TRAILER)
29	39-37-1025	1	#80 CHAIN
30	NC14-20-0072	1	80 SL CHAIN (MESH)
31	NC01-17-0124	2	HEX. BOLT GR2 ZINC 3/8-16 X 3 1/2"
32	39-01-1051	1	HYDRAULIC HOSE SUPPORT
33	NC01-17-0259	1	HEX. BOLT GR2 ZINC 1/2-13 X 4"
34	NC01-96-0014	1	NYLON-INSERT LOCKNUT ZINC 1/2-13
35	01-01-0925	2	WASHER
36	39-57-0180	1	ROLLER HOUSING STICKERS INCLUDED (RIGHT) GROUP.
37	39-57-0185	1	ROLLER GUARD (RIGHT)
38	NC02-32-0010	1	LOCK WASHER ZINC 1/4"
39	NC01-37-0004	1	HEX. BOLT GR2 ZINC 1/4-28 X 3/4"
40	NC01-25-0004	1	HEX. BOLT GR5 ZINC 1/4-20 X 3/4"

39-55-0135

#	PART #	Qty	TITLE
41	NC14-75-0134	2	6204 X 3/4"ID BEARING
42	39-36-0605	1	CHAIN TENSIONER SPROCKET

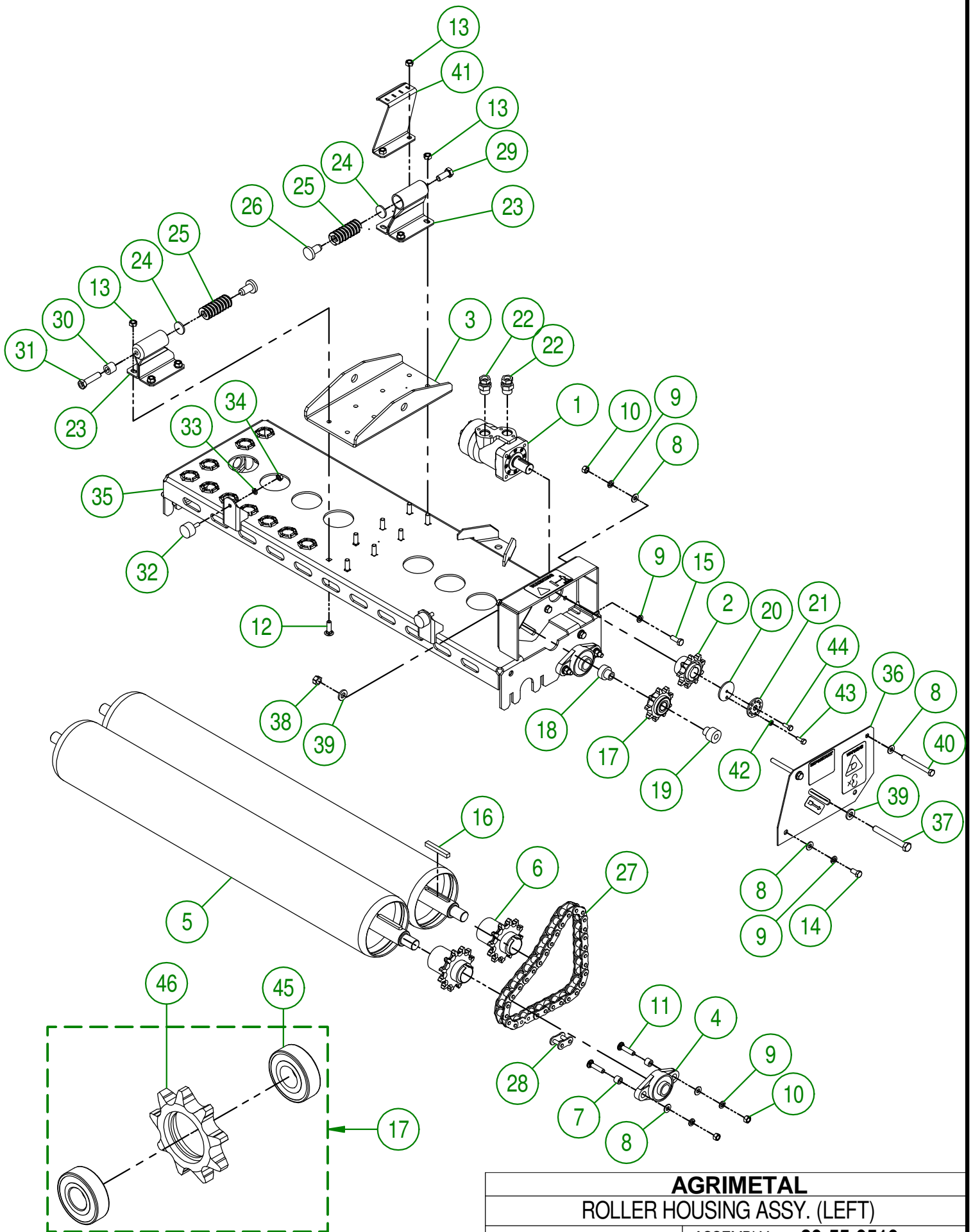
#	PART #	Qty	TITLE
1	39-55-0510	1	ROLLER HOUSING ASSY. (LEFT)
2	39-42-0703	1	PIVOTING BLOCK
3	39-09-1207	1	BUSHING
4	39-50-0573	1	LEFT PIVOT TRAILER
5	39-21-0000	1	STEERING PLATE SHAFT COVER
6	NC02-32-0014	1	LOCK WASHER ZINC 1/2"
7	NC01-17-0249	1	HEX. BOLT GR2 ZINC 1/2-13 X 1 1/2"
8	NC01-37-0484	1	HEX BOLT. GR8 NF ZINC 3/4-16 X 7 1/2"
9	NC02-32-0017	1	LOCK WASHER ZINC 3/4"
10	NC02-11-0023	1	NUT 3/4-16
11	NC14-75-0091	2	6206 BEARING



AGRIMETAL
LEFT ROLLER GROUP

CREATION : 25/04/18
REVISION : 25/04/18

ASSEMBLY : **39-57-0605**
AUTHOR : J.KABWE Page 11 de 27



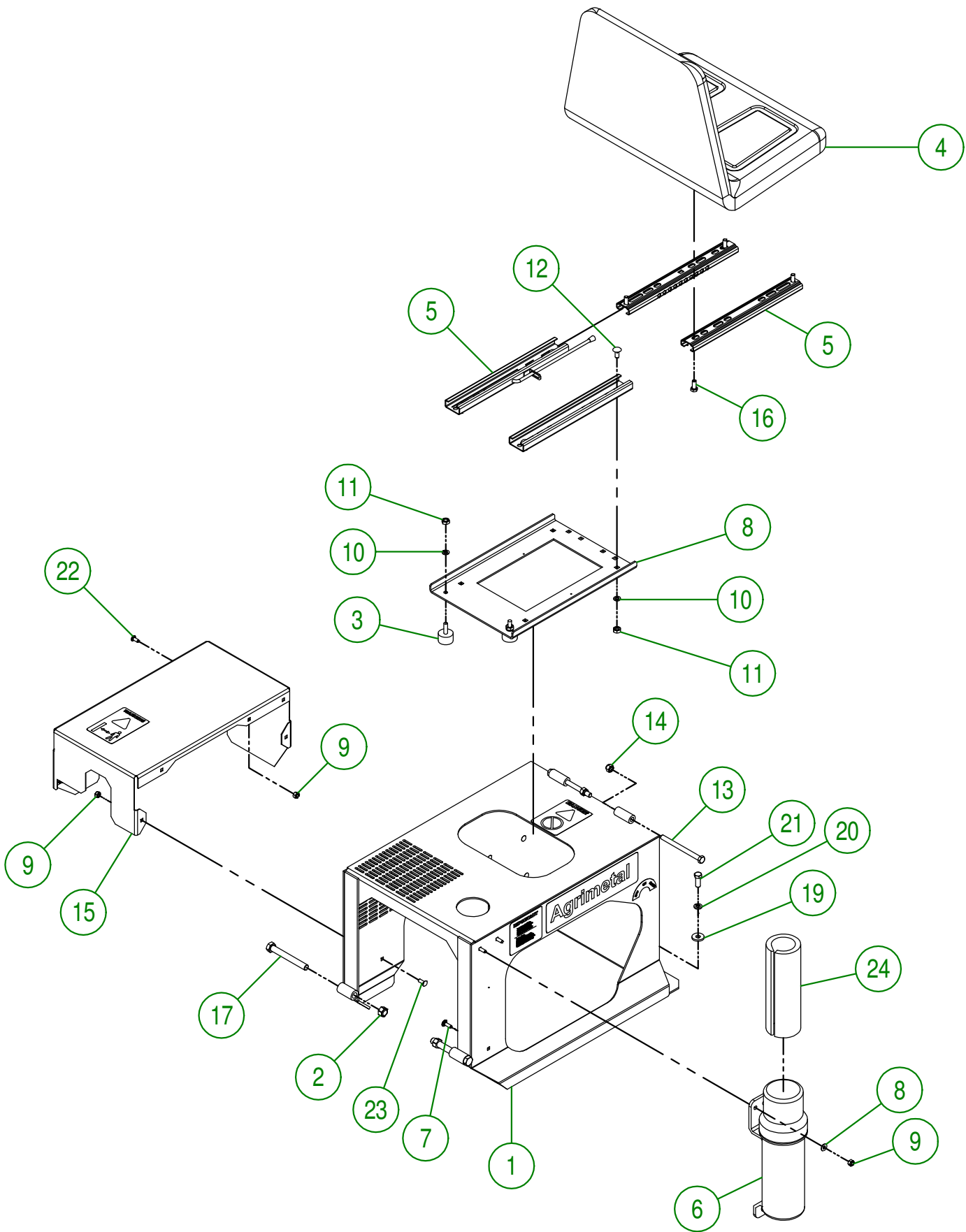
AGRIMETAL	
ROLLER HOUSING ASSY. (LEFT)	
CREATION : 26/04/18	ASSEMBLY : 39-55-0510
REVISION : 03/05/18	AUTHOR : J.KABWE Page 12 de 27

39-55-0510

#	PART #	Qty	TITLE
1	NC14-45-0041	1	100cc HYDRAULIC MOTOR
2	39-50-0056	1	HYDRAULIC MOTOR SPROCKET
3	39-04-0227	1	ROLLER SUPPORT
4	NC14-75-0019	4	FLANGE PILLOW BLOCK BEARING
5	39-50-0596	2	ROLLER
6	39-50-0051	2	ROLLER SPROCKET
7	01-09-0000	8	BEARING RACE (UCFL205-16)
8	01-01-2485	14	FLAT WASHER
9	NC02-32-0012	16	LOCK WASHER ZINC 3/8"
10	NC02-07-0018	10	HEX. NUT ZINC 3/8-16
11	NC01-04-0111	8	CARR. BOLT GR2 ZINC 3/8-16 X 1 1/2"
12	NC01-04-0110	8	CARR. BOLT GR2 ZINC 3/8-16 X 1 1/4"
13	NC02-14-0019	8	FLANGE NUT HEX. NC 3/8-16 GR. B
14	NC01-17-0112	2	HEX. BOLT GR2 ZINC 3/8-16 X 3/4"
15	NC01-17-0114	4	HEX. BOLT GR2 ZINC 3/8-16 X 1"
16	48-41-0905	2	SQUARE KEY 3/8" X 2 3/4" LG
17	39-55-0135	1	CHAIN TENSIONER SPROCKET
18	39-21-0050	1	CHAIN TENSIONER SHAFT (SHORT)
19	39-21-0053	1	CHAIN TENSIONER SHAFT (LONG)
20	39-01-1096	1	SPROCKET WASHER
21	39-01-1101	1	SPROCKET WASHER LOCK
22	NC13-45-0073	2	STRAIGHT 7/8-14 MALE SAE10 O-RING X 3/8 FEM. TOUR. NPT
23	39-50-0045	2	SPRING GUIDE
24	39-01-1000	2	SPRING GUIDE WASHER
25	NC13-86-0159	2	RED SPRING 1 1/4"OD X 5/8"ID X 2" LG
26	39-42-0100	2	SPRING TIP
27	39-37-1025	1	#80 CHAIN
28	NC14-20-0072	1	80 SL CHAIN (MESH)
29	NC01-17-0248	1	HEX. BOLT GR2 ZINC 1/2-13 X 1 1/4"
30	39-21-0030	1	RAMP STOP SPACER
31	39-30-9955	1	RAMP STOP SPACER
32	NC13-15-0034	2	RUBBER ABSORBER
33	NC02-32-0011	2	LOCK WASHER ZINC 5/16"
34	NC02-07-0017	2	HEX. NUT 5/16-18
35	39-57-0170	1	ROLLER HOUSING (LEFT)
36	39-57-0175	1	ROLLER GUARD (LEFT)
37	NC01-17-0259	1	HEX. BOLT GR2 ZINC 1/2-13 X 4"
38	NC01-96-0014	1	NYLON-INSERT LOCKNUT ZINC 1/2-13
39	01-01-0925	2	WASHER
40	NC01-17-0124	2	HEX. BOLT GR2 ZINC 3/8-16 X 3 1/2"
41	39-01-1160	1	HYDRAULIC HOSE SUPPORT
42	NC02-32-0010	1	LOCK WASHER ZINC 1/4"
43	NC01-37-0004	1	HEX. BOLT GR2 ZINC 1/4-28 X 3/4"
44	NC01-25-0004	1	HEX. BOLT GR5 ZINC 1/4-20 X 3/4"

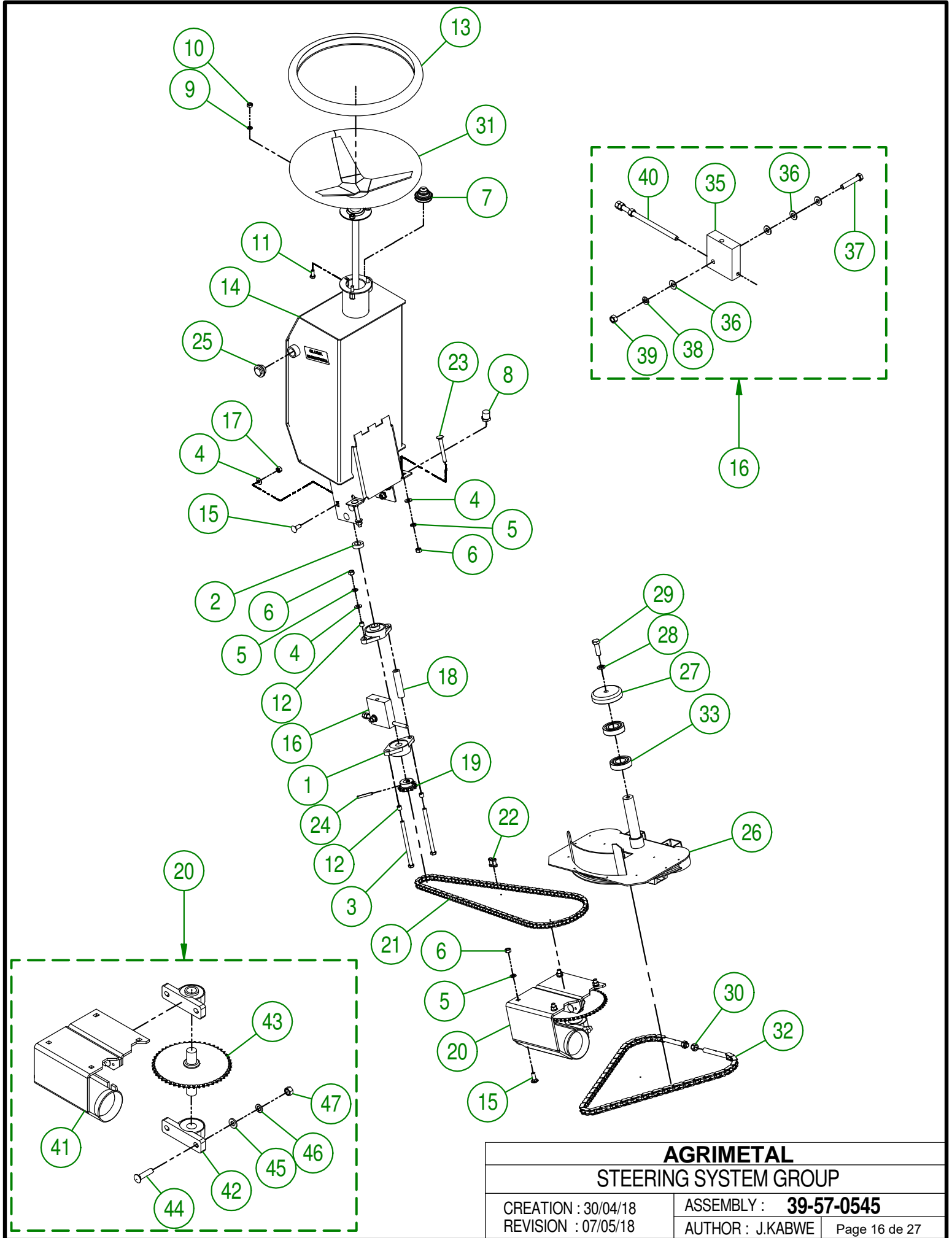
39-55-0135

#	PART #	Qty	TITLE
45	NC14-75-0134	2	6204 X 3/4"ID BEARING
46	39-36-0605	1	CHAIN TENSIONER SPROCKET



AGRIMETAL	
ENGINE COVER GROUP	
CREATION : 25/04/18	ASSEMBLY : 39-57-0540
REVISION : 07/05/18	AUTHOR : J.KABWE Page 14 de 27

#	PART #	Qty	TITLE
1	39-57-0010	1	ENGINE COVER
2	39-50-0115	1	SEAT FOLDER HOLDER
3	NC13-15-0034	2	RUBBER ABSORBER
4	NC13-80-0200	1	SEAT
5	NC13-80-0201	1	SET OF SEAT RAIL
6	NC13-30-0237	1	PLASTIC TUBE FOR OPERATOR'S MANUAL
7	NC01-04-0003	3	CARR. BOLT GR2 ZINC 1/4-20 X 3/4"
8	NC02-25-0007	3	WASHER ZINC 0.281 = 9/32
9	NC01-96-0009	12	NYLON-INSERT LOCKNUT ZINC 1/4-20
10	NC02-32-0011	6	LOCK WASHER ZINC 5/16"
11	NC02-07-0017	6	HEX. NUT 5/16-18
12	NC01-04-0056	4	CARR. BOLT 5/16-18 X3/4"
13	NC01-17-0128	2	HEX. BOLT GR2 ZINC 3/8-16 X 4 1/2"
14	NC01-96-0011	2	NYLON NUT 3/8-16
15	39-01-3083	1	HYDROSTATIC POMP GUARD
16	NC01-17-0058	4	HEX. BOLT GR2 ZINC 5/16-18 X 3/4"
17	NC01-17-0259	2	HEX. BOLT GR2 ZINC 1/2-13 X 4"
18	NC01-96-0014	2	NYLON-INSERT LOCKNUT ZINC 1/2-13
19	21-01-0950	2	FLAT WASHER IOGA 1.005" DIA X 25/64"
20	NC02-32-0012	2	LOCK WASHER ZINC 3/8"
21	NC01-17-0114	2	HEX. BOLT GR2 ZINC 3/8-16 X 1"
22	NC01-04-0001	4	CARR. BOLT GR2 ZINC 1/4-20 X1/2"
23	NC01-04-0002	5	CARR. BOLT GR2 ZINC 1/4-20 X 5/8"
24	39-98-0630	1	OPERATOR'S MANUAL



AGRIMETAL
STEERING SYSTEM GROUP

CREATION : 30/04/18
 REVISION : 07/05/18

ASSEMBLY : **39-57-0545**
 AUTHOR : J.KABWE Page 16 de 27

39-57-0545

#	PART #	Qty	TITLE
1	NC14-75-0018	2	MOUNTED BALLS BEARING UCFL204-12
2	39-21-0025	1	STEERING SEAL RING
3	NC01-17-0132	2	HEX. BOLT GR2 NC 3/8-16 X 5 1/2" TL
4	01-01-2485	10	FLAT WASHER
5	NC02-32-0012	8	LOCK WASHER ZINC 3/8"
6	NC02-07-0018	8	HEX. NUT ZINC 3/8-16
7	NC13-37-0121	1	TANK CAP
8	NC13-45-0015	1	HEX. CAP 1/2 NPTF MALE
9	NC02-32-0011	3	LOCK WASHER ZINC 5/16"
10	NC02-07-0017	3	HEX. NUT 5/16-18
11	NC01-17-0058	3	HEX. BOLT GR2 ZINC 5/16-18 X 3/4"
12	39-21-0005	4	STEERING BEARING RING
13	NC13-80-0254	1	STEERING WHEEL COVER
14	39-57-0140	1	OIL TANK
15	NC01-04-0109	9	CARR. BOLT GR2 ZINC 3/8-16 X 1"
16	39-55-0125	1	CHAIN TENSIONER BLOCK
17	NC01-93-0011	6	STOP NUT 3/8-16
18	39-21-0010	1	STEERING BEARING SPACER
19	39-36-0215	1	STEERING SHAFT SPINDLE
20	39-55-0150	1	STEERING SPROCKET HOLDER
21	39-37-1040	1	CHAIN #40 X 53 1/2" + 1/2 (MESH)
22	NC14-20-0065	1	40 SL CHAIN (MESH)
23	NC01-04-0117	2	CARR. BOLT GR2 NC ZINC 3/8-16 X 3"
24	NC01-69-0463	1	SPRING PIN 1/4" X 1 3/4"
25	NC01-76-0001	1	SIGHT GLASS 3/4 NPT
26	39-50-0570	1	STEERING PLATE
27	39-21-0000	1	STEERING PLATE SHAFT COVER
28	NC02-32-0014	1	LOCK WASHER ZINC 1/2"
29	NC01-17-0249	1	HEX. BOLT GR2 ZINC 1/2-13 X 1 1/2"
30	NC01-96-0014	2	NYLON-INSERT LOCKNUT ZINC 1/2-13
31	39-55-0130	1	STEERING WHEEL
32	39-55-0640	1	CHAIN #50SL
33	NC14-75-0091	2	6206 BEARING
34	NC01-04-0107	1	CARR. BOLT GR2 ZINC 3/8-16 X 3/4"

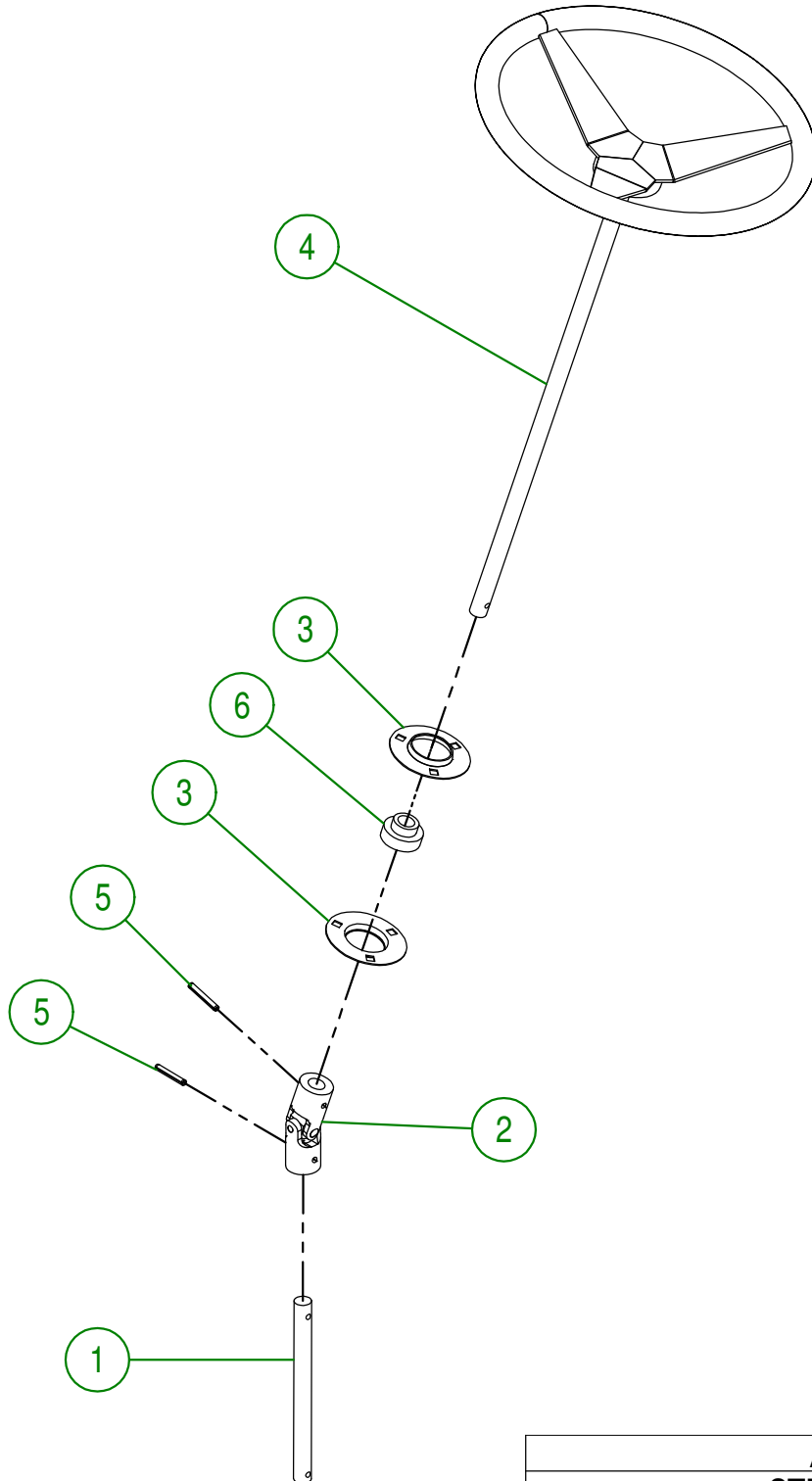
39-55-0125

#	PART #	Qty	TITLE
35	39-21-0205	1	CHAIN TENSIONER BLOCK
36	01-01-2485	4	FLAT WASHER
37	NC01-17-0118	1	HEX. BOLT GR2 ZINC 3/8-16 X 2"
38	NC02-32-0012	1	LOCK WASHER ZINC 3/8"
39	NC02-07-0018	1	HEX. NUT ZINC 3/8-16
40	39-55-0110	1	CHAIN TENSIONER BLOCK ROD

39-55-0150

#	PART #	Qty	TITLE
41	39-50-0025	1	STEERING SPROCKET HOLDER
42	NC14-75-0033	2	MOUNTED BALL BEARINGS UCP205-16
43	39-50-0560	1	SPROCKET AND STEERING SHAFT
44	NC01-04-0237	4	CARR. BOLT GR2 ZINC 1/2-13 X 2"
45	01-01-0925	4	WASHER
46	NC02-32-0014	4	LOCK WASHER ZINC 1/2"
47	NC02-07-0020	4	HEX. NUT ZINC 1/2-13

#	PART #	Qty	TITLE
1	39-13-1000	1	DRIVING GEAR SHAFT
2	39-41-5750	1	DRIVE GEAR SHAFT SEAL
3	NC14-75-0008	2	STEEL BEARING ONLY 3 HOLES F4 3 9/16" OD
4	39-50-0080	1	STEERING WHEEL
5	NC01-69-0463	2	SPRING PIN 1/4" X 1 3/4"
6	NC14-75-0014	1	STEEL BEARING SB 204-12 X 3/4" ID

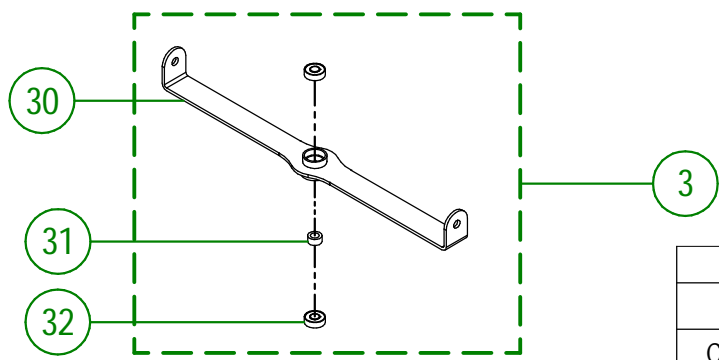
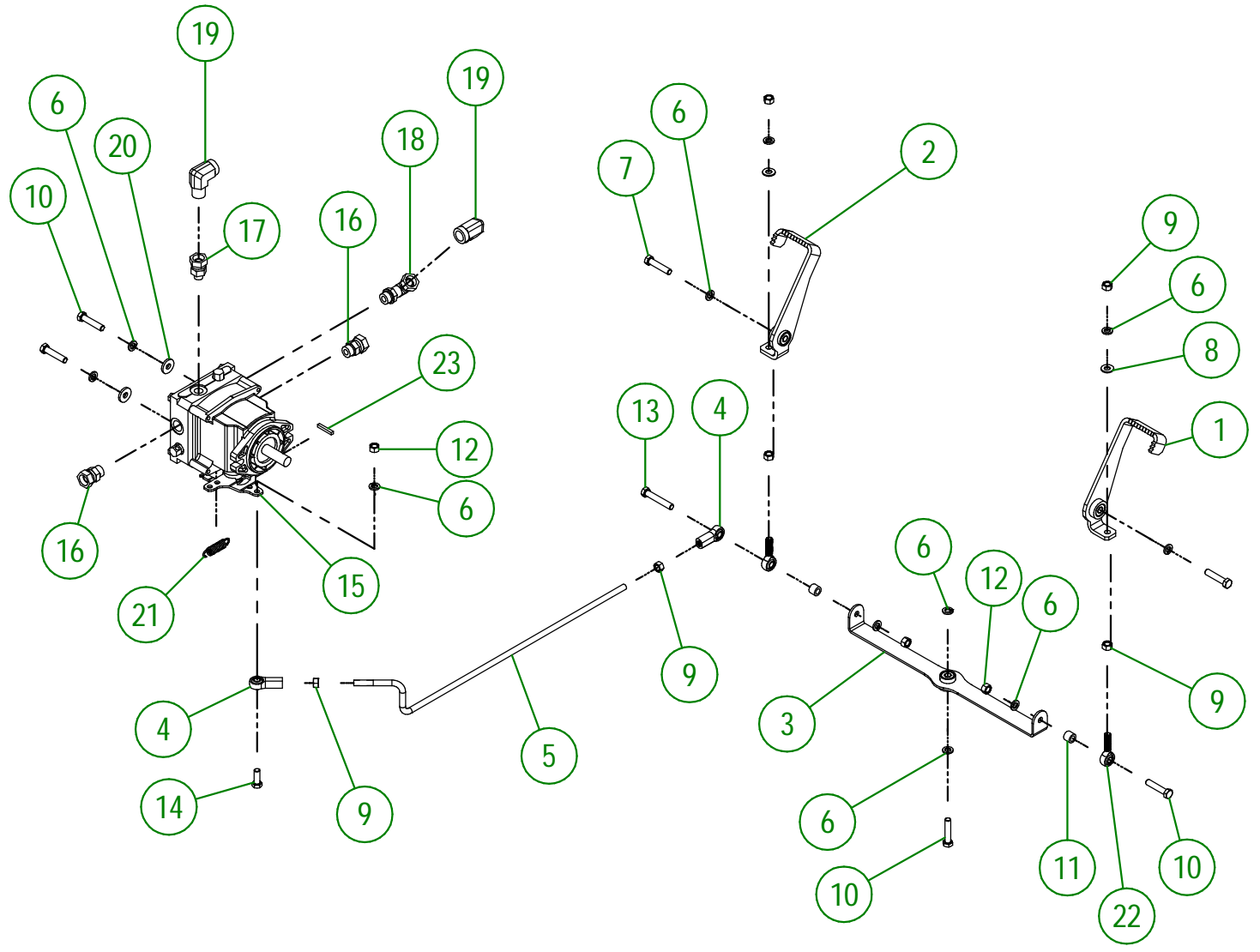
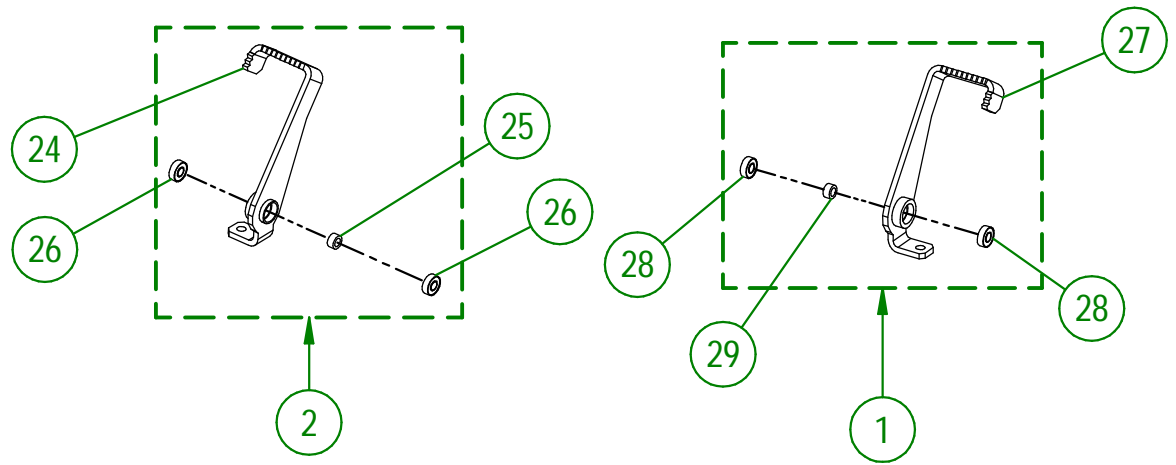


AGRIMETAL
STEERING WHEEL

CREATION : 08/06/17
REVISION : 30/04/18

ASSEMBLY : **39-55-0130**

AUTHOR : J. HOULE | Page 18 de 27



AGRIMETAL	
HYDROSTATIC SYSTEM GROUP	
CREATION : 25/04/18	ASSEMBLY : 39-57-0096
REVISION : 02/11/22	AUTHOR : J.KABWE

39-57-0096

#	PART #	QTY	TITLE
1	39-55-0025	1	RIGHT PEDAL
2	39-55-0020	1	LEFT PEDAL
3	39-55-0045	1	CARRYING ARM
4	NC01-67-0104	2	INTERNALLY THREADED BALL JOINT ROD ENDS 3/8-24
5	39-13-0400	1	HYDROSTATIC CONTROL ROD
6	NC02-32-0012	11	LOCK WASHER ZINC 3/8"
7	NC01-33-0117	2	CARR. BOLT GR8 ZINC 3/8-16 X 1 3/4"
8	01-01-2485	2	FLAT WASHER 14 GA X 13/16"OD X 25/64" ID
9	NC02-10-0018	6	NUT 3/8-24
10	NC01-17-0117	4	HEX. BOLT GR2 ZINC 3/8-16 X 1 3/4"
11	39-09-0050	2	PEDAL SYSTEM BUSHING
12	NC02-07-0018	3	HEX. NUT ZINC 3/8-16
13	NC01-17-0119	1	HEX. BOLT GR2 ZINC 3/8-16 X 2 1/4"
14	NC01-17-0114	1	HEX. BOLT GR2 ZINC 3/8-16 X 1"
15	NC14-45-0039	1	HYDROSTATIC MOTOR
16	NC13-45-0106	2	STRAIGHT REDUCER 3/4-16 MALE SAE8 O RING X 1/2 FEMALE
17	NC13-45-0220	1	STRAIGHT 9/16 MALE ORING X 1/2 FEMALE NPT
18	NC13-45-0203	1	ELBOW 90° 3/4 MALE ORING X 1/2 FEMALE NPT
19	NC13-45-0025	2	ELBOW 90° 1/2 FEMALE NPT X 1/2 MALE NPT
20	21-01-0950	2	FLAT WASHER 10GA 1.005" DIA X 25/64"
21	NC13-85-0049	1	SPRING
22	NC01-67-0304	2	BALL JOINTS ROD ENDS 3/8-24
23	01-41-0905	1	SQUARE KEY 3/16" X 1 1/4"TL

39-55-0020

#	PART #	QTY	TITLE
24	39-50-0110	1	LEFT PEDAL
25	01-09-0005	1	BUSHING
26	NC14-75-0153	2	BALL BEARING R6 2RS 3/8" X 7/8" X 0.281"

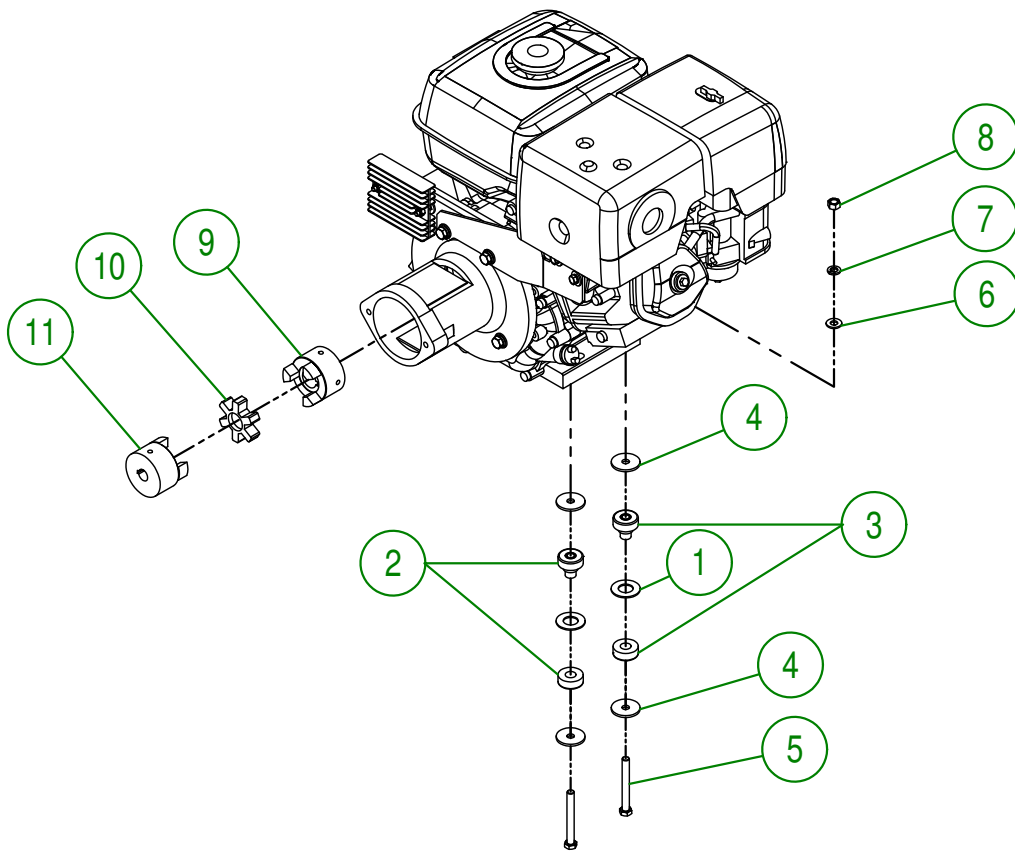
39-55-0025

#	PART #	QTY	TITLE
27	39-50-0105	1	RIGHT PEDAL
28	NC14-75-0153	2	BALL BEARING R6 2RS 3/8" X 7/8" X 0.281"
29	01-09-0005	1	BUSHING

39-55-0045

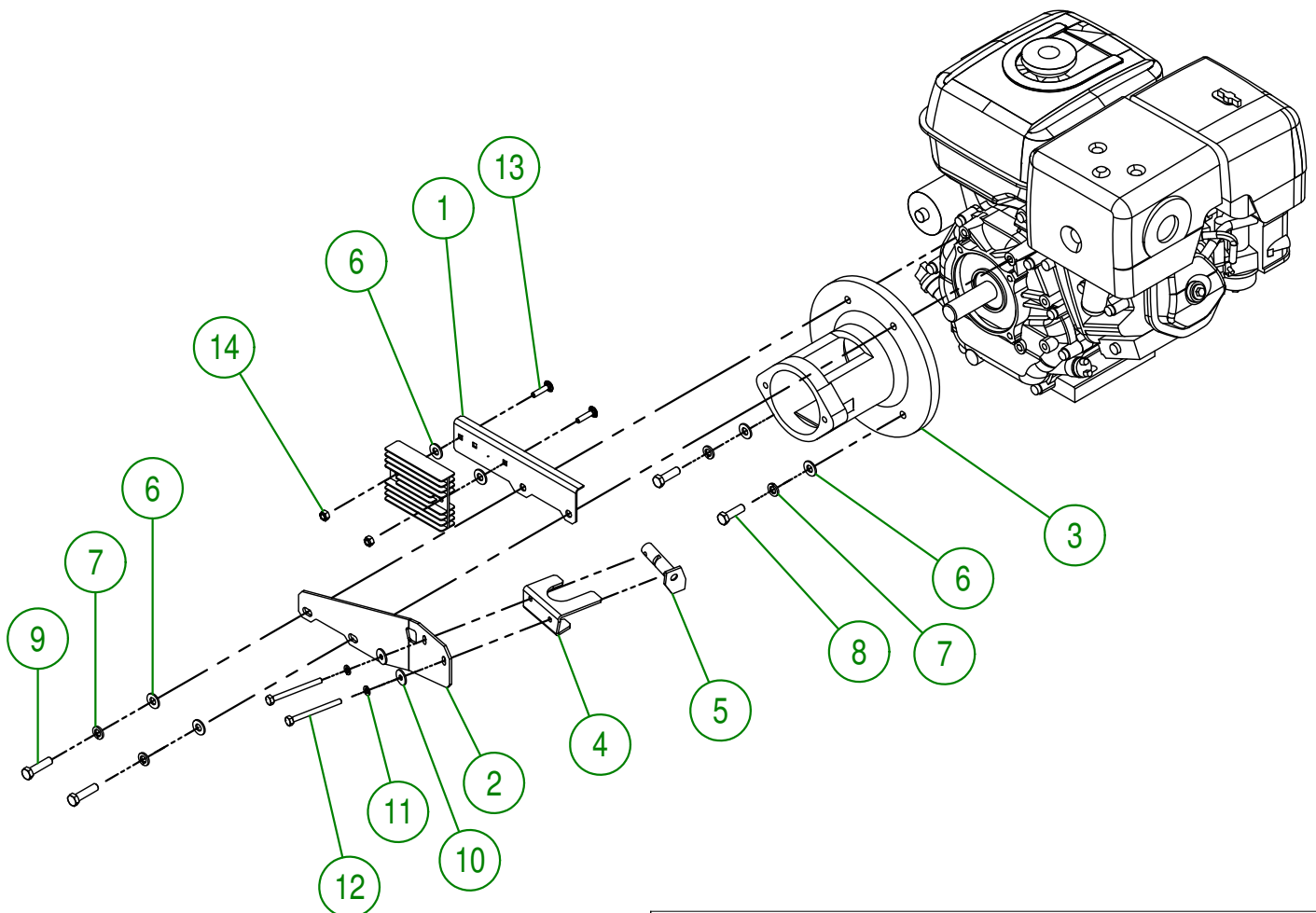
#	PART #	QTY	TITLE
30	39-50-0040	1	CARRYING ARM
31	01-09-0005	1	BUSHING
32	NC14-75-0153	2	BALL BEARING R6 2RS 3/8" X 7/8" X 0.281"

#	PART #	Qty	TITLE
1	26-03-4800	4	WASHER
2	NC13-15-0068	2	GREEN RUBBER BASE MOUNT
3	NC13-15-0059	2	YELLOW RUBBER BASE MOUNT
4	01-33-0010	8	WASHER
5	NC01-17-0123	4	HEX. BOLT GR2 ZINC 3/8-16
6	01-01-2485	4	FLAT WASHER 14 GA X 13/16"OD X 25/64" ID
7	NC02-32-0012	4	LOCK WASHER ZINC 3/8"
8	NC02-07-0018	4	HEX. NUT ZINC 3/8-16
9	NC14-05-0029	1	COUPLING (LOVEJOY) CXL100 X 1" ID
10	NC14-05-0030	1	COUPLING (LOVEJOY) RUBBER NI00
11	39-46-3500	1	HYDROSTATIC COUPLING HUB



AGRIMETAL	
MOTOR GROUP	
CREATION : 09/06/17	ASSEMBLY : 39-57-0115
REVISION : 30/08/19	AUTHOR : Page 21 de 27

#	PART #	Qty	TITLE
1	39-01-2405	1	VOLTAGE REGULATOR HOLDER
2	39-01-1090	1	MUFFLER SUPPORT
3	39-50-0120	1	FUEL ENGINE ADAPTER FOR HYDROSTATIC PUMP
4	39-01-1080	1	MUFFLER SUPPORT
5	39-50-0085	1	MUFFLER SUPPORT
6	01-01-2485	6	FLAT WASHER 14 GA X 13/16"OD X 25/64" ID
7	NC02-32-0012	4	LOCK WASHER ZINC 3/8"
8	NC01-17-0115	2	HEX. BOLT GR2 ZINC 3/8-16 X 1 1/4"
9	NC01-17-0116	2	HEX. BOLT GR2 ZINC 3/8-16 X 1 1/2"
10	36-01-2430	2	WASHER
11	NC02-32-0010	2	LOCK WASHER ZINC 1/4"
12	NC01-37-0014	2	HEX. BOLT GR8 ZINC 1/4-28 X 3"
13	NC01-04-0005	2	CARR. BOLT GR2 ZINC 1/4-20 X 1"
14	NC01-96-0009	2	NYLON-INSERT LOCKNUT ZINC 1/4-20

**AGRIMETAL****HONDA MOTOR WITH STARTER**

CREATION : 08/06/17
 REVISION : 30/08/19

ASSEMBLY : **39-55-0030**

AUTHOR : Dessin2

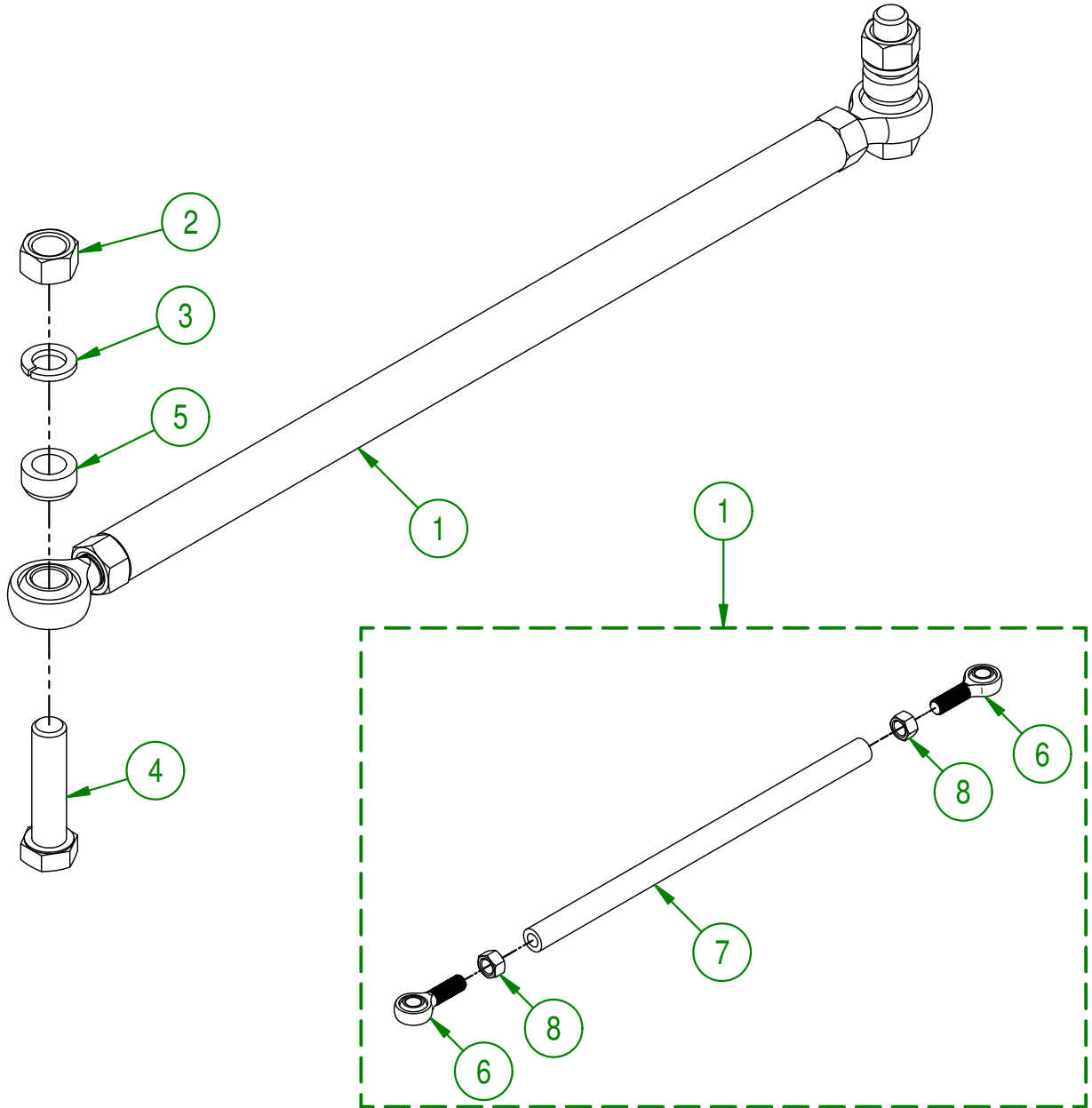
Page 22 de 27

39-57-0190

#	PART #	Qty	TITLE
1	39-55-0700	1	ROLLER ARM
2	NC02-07-0022	2	HEX. NUT ZINC 5/8-11
3	NC02-32-0016	2	LOCK WASHER ZINC 5/8"
4	NC01-17-0398	2	HEX. BOLT GR2 NC ZINC 5/8-11 X 2 1/2"
5	39-21-0055	2	RING

39-55-0700

#	PART #	Qty	TITLE
6	NC01-67-0308	2	MAL ROD END THREAD 5/8-18
7	39-21-0060	1	ARM
8	NC02-10-0022	2	HEX. NUT ZINC 5/8-18



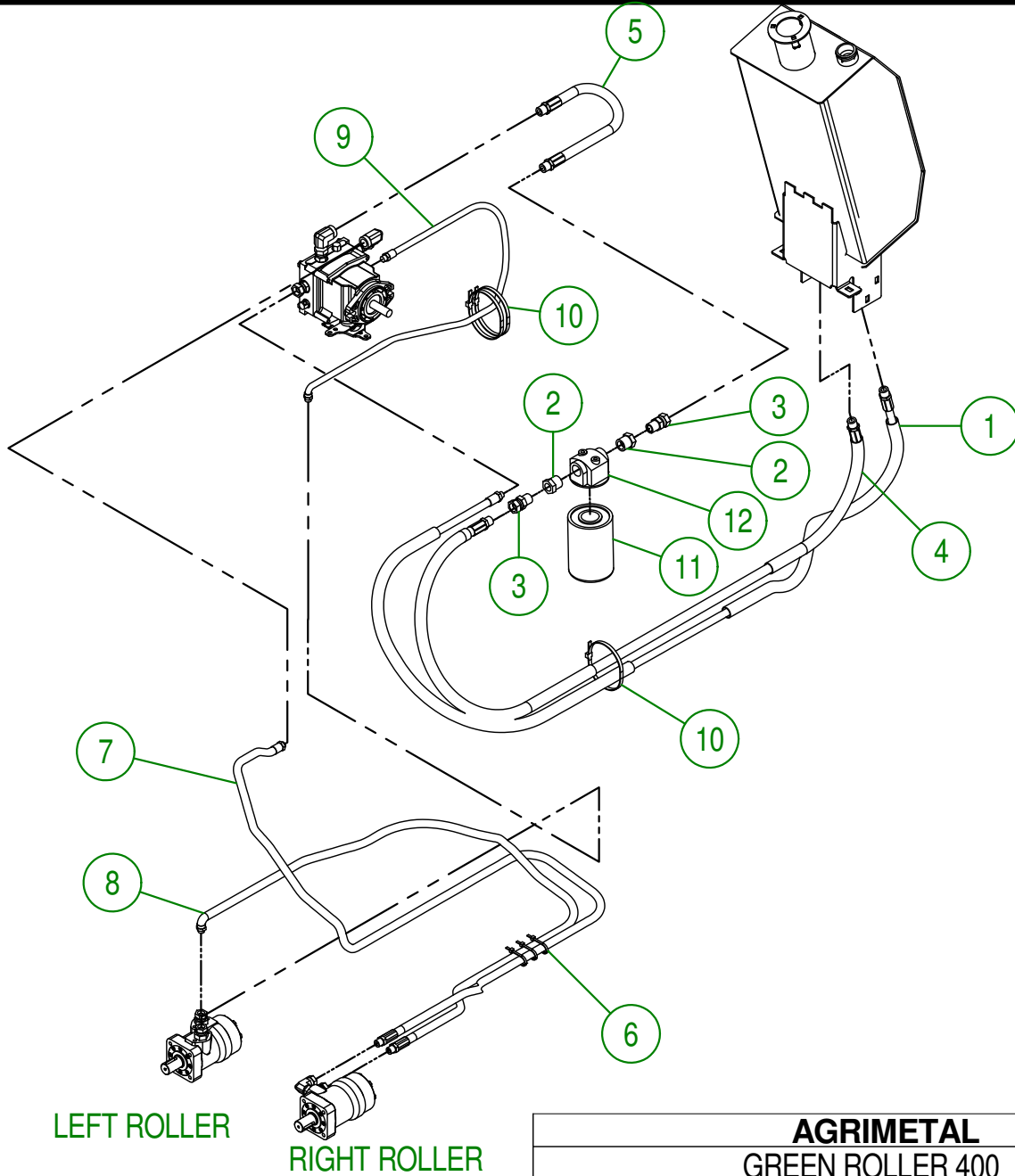
AGRIMETAL
ROLLER ARM GROUP

CREATION : 25/04/18
 REVISION : 06/12/18

ASSEMBLY : **39-57-0190**

AUTHOR : J.KABWE | Page 23 de 27

#	PART #	Qty	TITLE
1	39-57-0075	1	HYDRAULIC HOSE 75"
2	NC13-45-0032	2	STRAIGHT HOSE FITTING 1/2 FEM. NPT X 3/4 MALE NPT
3	NC13-45-0091	2	STRAIGHT HOSE FITTING 1/2 MALE NPTF X 1/2 FEM. SWIVEL
4	39-57-0070	1	HYDRAULIC HOSE 64"
5	NC17-02-0313	1	HYDRAULIC HOSE 19"
6	NC13-25-0019	3	NYLON CABLE TIE
7	NC17-02-0374	1	HYD. HOSE 1/2 X 63" CUT 1/2NPT MAL. X 1/2NPT MAL
8	NC17-02-0372	1	HYD. HOSE 1/2 X 59" CUT 1/2NPT MAL X 1/2NPT MAL
9	NC17-02-0376	1	HYD. HOSE 1/2 X 36" CUT 1/2NPT MAL X 1/2NPT MAL
10	NC13-25-0229	3	BLACK NYLON CABLE TIE
11	NC13-45-0048	1	OIL FILTER
12	NC13-45-0049	1	HEAD FILTER



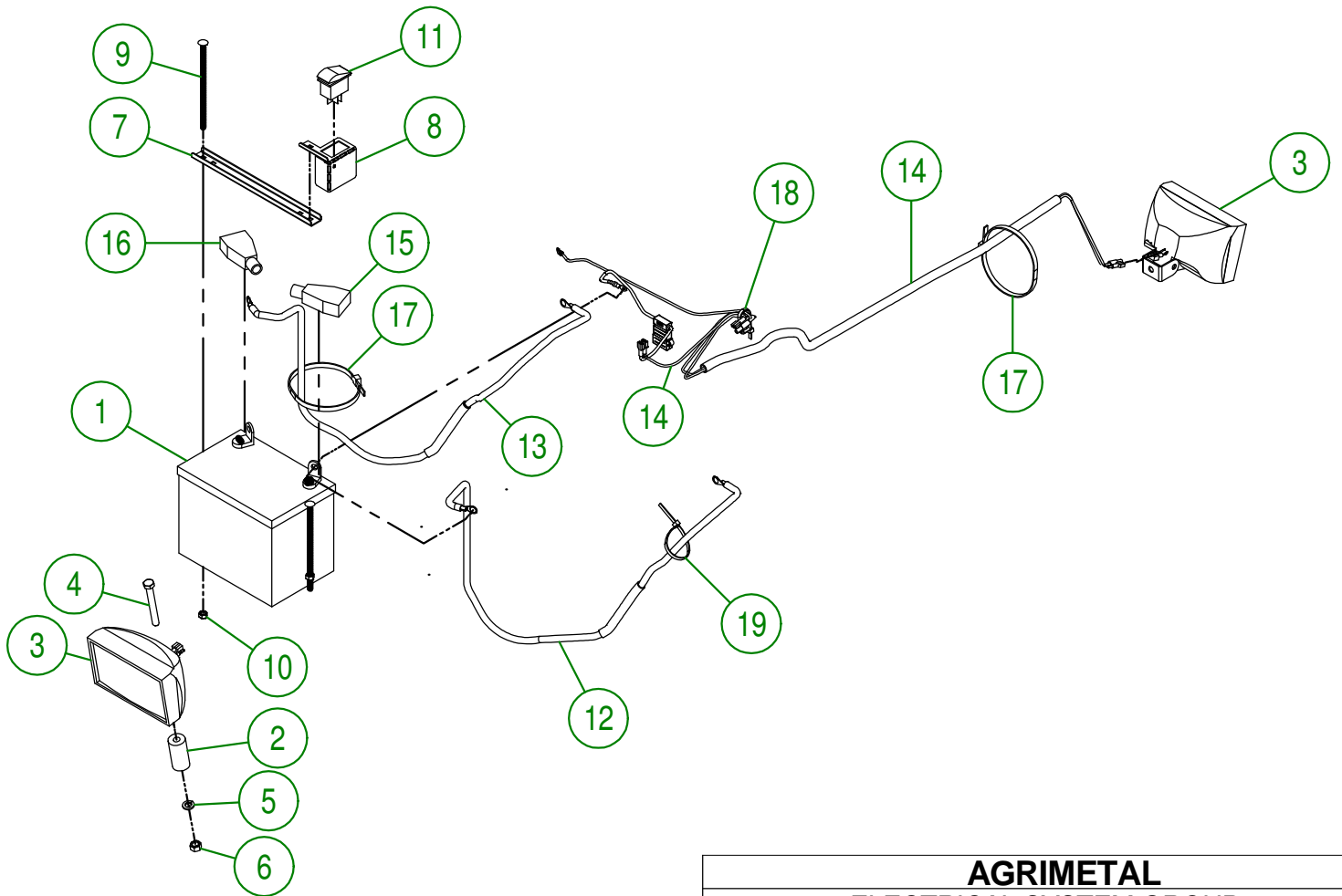
AGRIMETAL
GREEN ROLLER 400

CREATION : 29/11/18
REVISION : 18/01/19

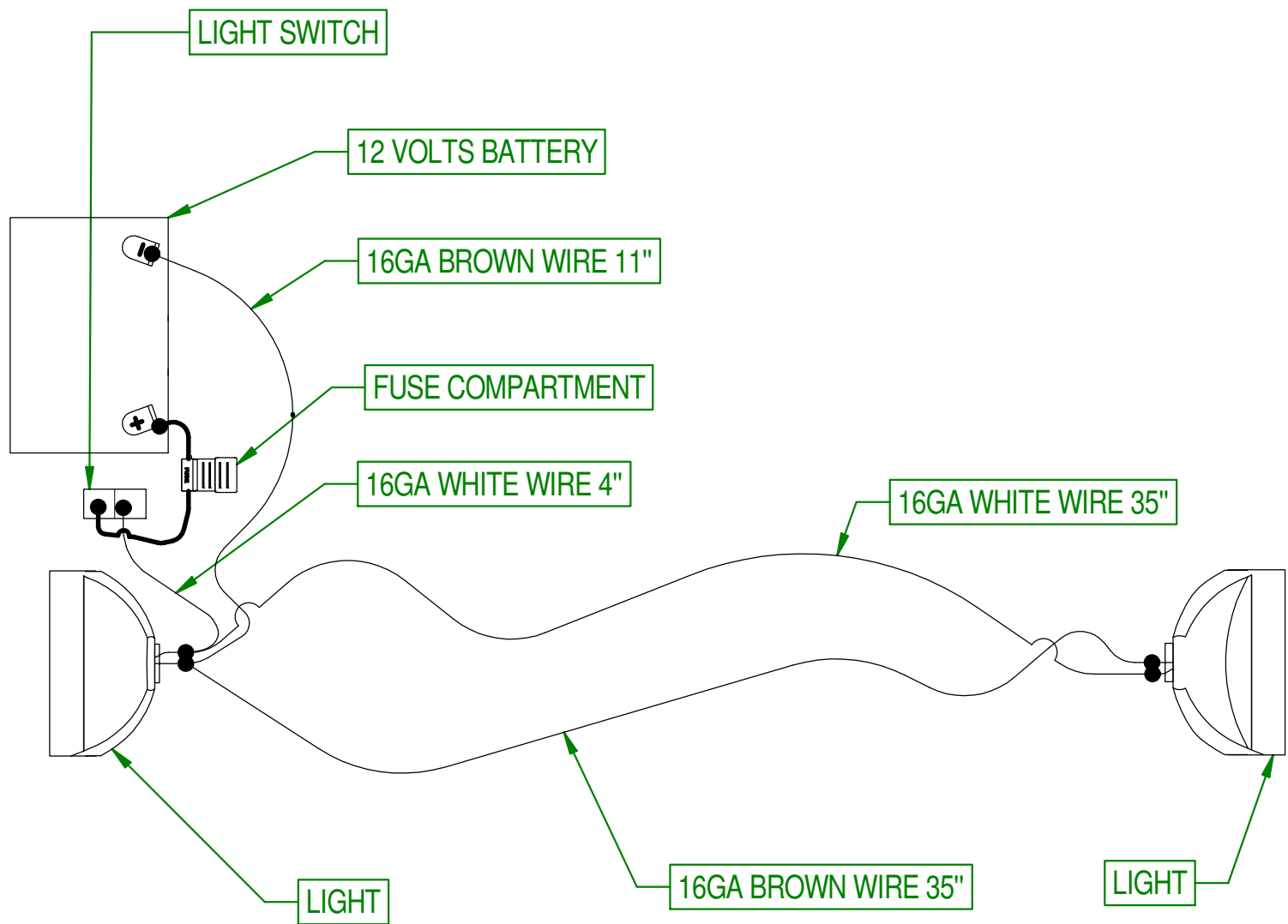
ASSEMBLY : **39-57-0590**

AUTHOR : J.KABWE Page 24 de 27

#	PART #	Qty	TITLE
1	NC13-12-0001	1	12 VOLTS BATTERY
2	39-21-0065	1	RIGHT LIGHT HOLDER
3	39-55-0120	2	55W RECTANGULAR CLEAR LIGHT
4	NC01-17-0122	1	HEX. BOLT GR2 ZINC 3/8-16 X 3"
5	NC02-32-0012	1	LOCK WASHER ZINC 3/8"
6	NC02-07-0018	1	HEX. NUT ZINC 3/8-16
7	33-01-3015	1	BATTERY STRAPE
8	39-01-3050	1	LIGHT SWITCH HOLDER
9	NC01-04-0027	2	CARR. BOLT 1/4-20 X 6" LG
10	NC01-96-0009	2	NYLON-INSERT LOCKNUT ZINC 1/4-20
11	NC13-25-0368	1	LIGHT SWITCH
12	39-55-0815	1	BATTERY CABLE 36" (POSITIVE) (GR 400)
13	39-55-0820	1	BATTERY CABLE 36" (NAGATIVE) (GR 400)
14	39-57-0625	1	COMPLETE ELECTRIC WIRE SET
15	NC13-80-0267	1	RED PROTECTOR FOR BATTERY POST
16	NC13-80-0268	1	BLACK PROTECTOR FOR BATTERY POST
17	NC13-25-0229	2	BLACK NYLON CABLE TIE
18	NC13-25-0019	1	NYLON CABLE TIE
19	NC13-25-0245	1	BLACK TIE RAP

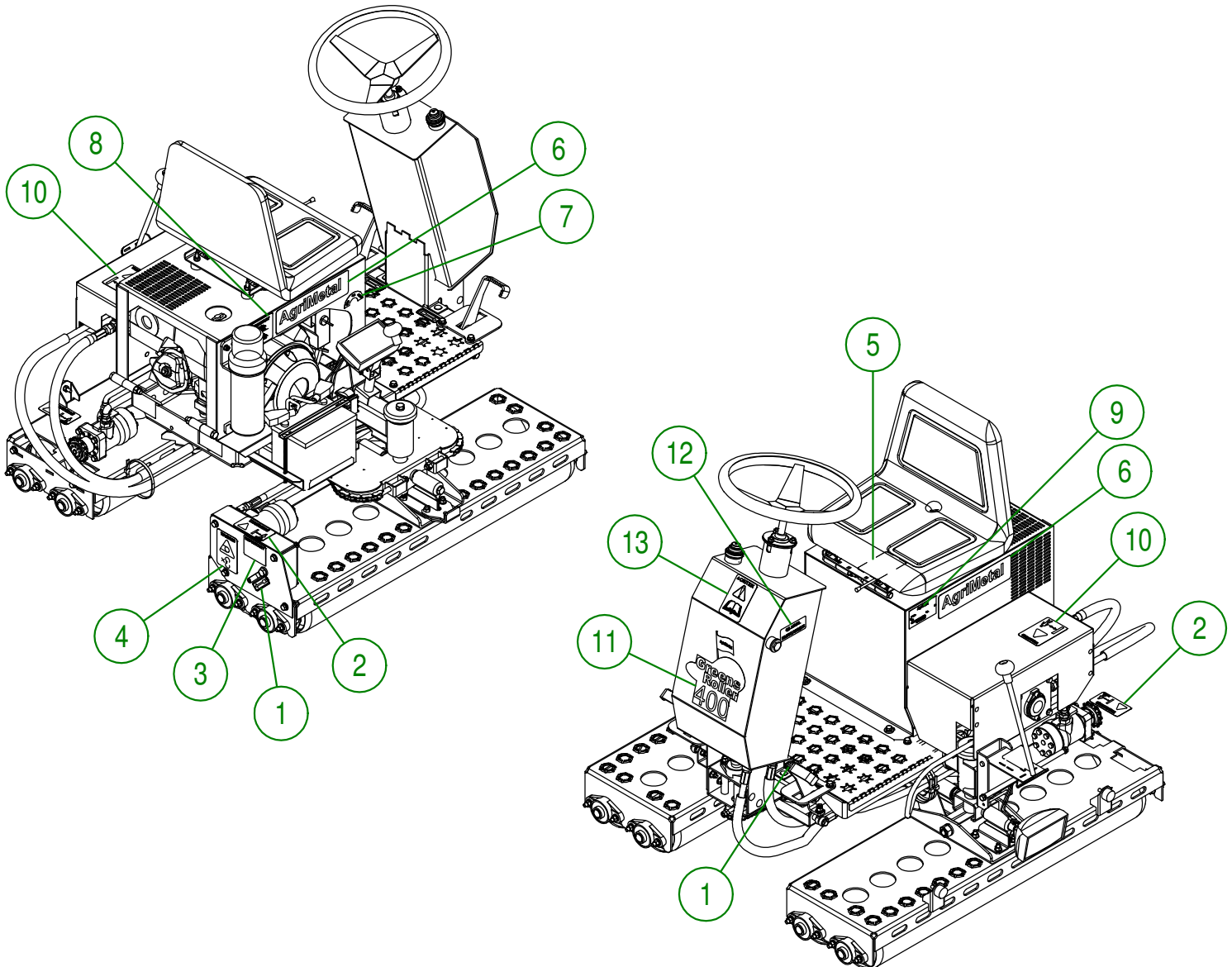


AGRIMETAL	
ELECTRICAL SYSTEM GROUP.	
CREATION : 30/04/18	ASSEMBLY : 39-57-0620
REVISION : 02/05/18	AUTHOR : J.KABWE Page 25 de 27



AGRIMETAL	
COMPLETE ELECTRIC WIRE SET	
CREATION : 01/05/18	ASSEMBLY : 39-57-0625
REVISION : 02/05/18	AUTHOR : J.KABWE Page 26 de 27

#	PART #	Qty	TITLE
1	NCI3-33-0124	3	STICKER STEERING ARROW
2	NCI3-33-0288	2	STICKER WARNING HIGH-PRESSURE LIQUID
3	NCI3-33-0295	1	STICKER IMPORTANT MUST LIFT ROLLERS...
4	NCI3-33-0283	1	STICKER DANGER (PERSON AND CHAIN DRIVE)
5	NCI3-33-0185	1	STICKER PICTOGRAM (FIRE + CIGARETTE)
6	NCI3-33-0035	2	STICKER AGRIMETAL
7	NCI3-33-0095	1	STICKER OFF ON START
8	NCI3-33-0151	1	STICKER (IMPORTANT TO PREVENT ENGINE FAILURE...)
9	NCI3-50-0086	1	SERIAL NUMBER PLATE
10	NCI3-33-0257	1	STICKER HIGH PRESSURE LIQUID PICTOGRAM
11	NCI3-33-0267	1	STICKER AGRIMETAL GREENS ROLLER 660
12	NCI3-33-0003	1	STICKER OIL LEVEL
13	NCI3-33-0183	1	STICKER CAUTION OPERATION MANUAL



AGRIMETAL
GREEN ROLLER 400

CREATION : 01/05/18
REVISION : 28/02/19

ASSEMBLY : **39-99-0501**
AUTHOR : J.KABWE Page 27 de 27