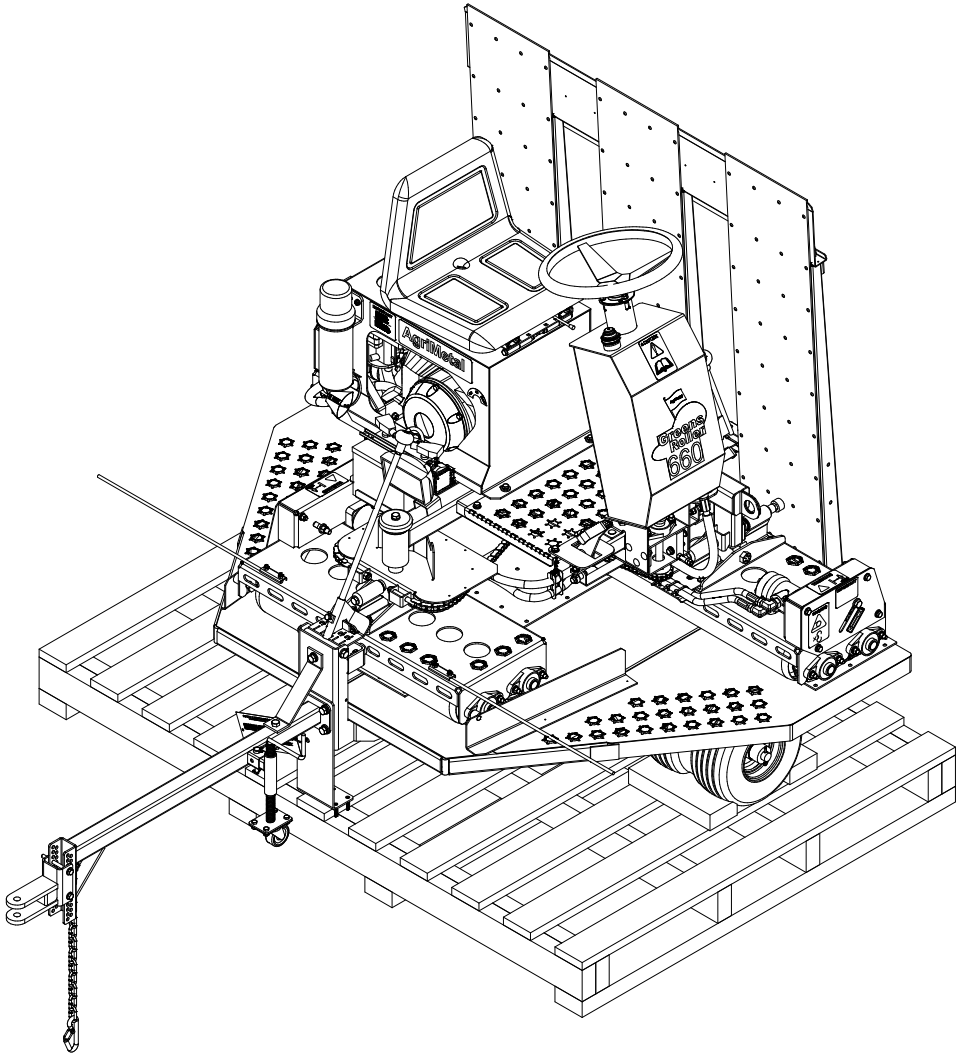


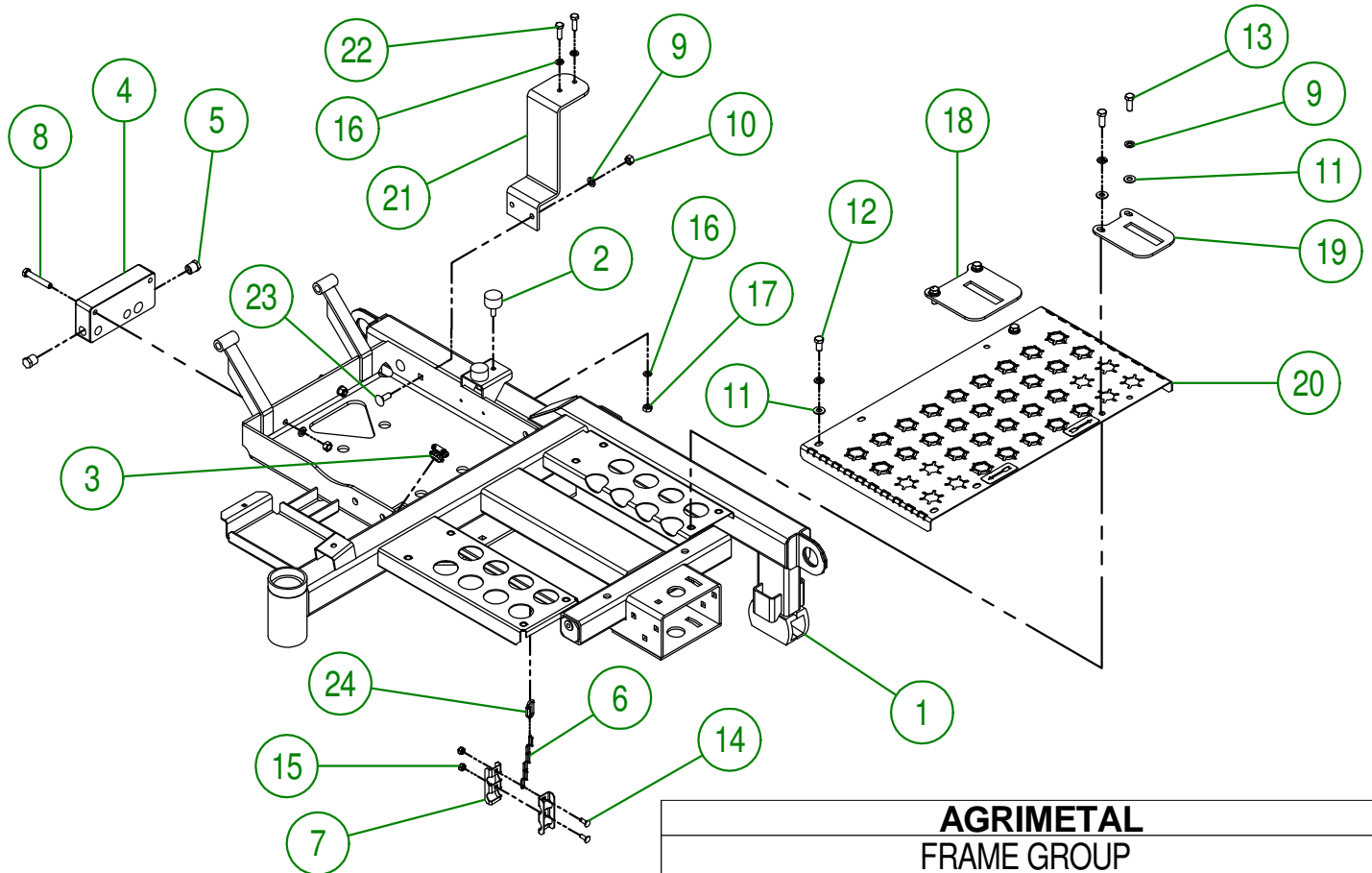
# AgriMetal

## PARTS LIST



**GR 660-B (4 WHEELS)**

#	PART #	Qty	TITLE
1	39-50-0000	1	FRAME
2	NC13-15-0034	2	RUBBER ABSORBER
3	NC13-25-0378	2	WHITE METAL CONNECTOR
4	39-21-0200	1	HYDRAULIC DISPENSING BLOCK
5	NC13-45-0221	2	HEXAGONAL PLUG
6	NC13-80-0078	1	#3 BLOCKED LINK CHAIN
7	39-01-3060	2	HYDRAULIC HOSE SUPPORT
8	NC01-17-0119	2	HEX. BOLT GR2 ZINC 3/8-16 X 2 1/4"
9	NC02-32-0012	11	LOCK WASHER ZINC 3/8"
10	NC02-07-0018	4	HEX. NUT ZINC 3/8-16
11	01-01-2485	6	FLAT WASHER
12	NC01-17-0112	2	HEX. BOLT GR2 ZINC 3/8-16 X 3/4"
13	NC01-17-0114	4	HEX. BOLT GR2 ZINC 3/8-16 X 1"
14	NC01-04-0002	2	CARR. BOLT GR2 ZINC 1/4-20 X 5/8"
15	NC01-96-0009	2	NYLON-INSERT LOCKNUT ZINC 1/4-20
16	NC02-32-0011	4	LOCK WASHER ZINC 5/16"
17	NC02-07-0017	2	HEX. NUT 5/16-18
18	39-04-0185	1	STOPPER PLATE FOR PEDAL (RIGHT)
19	39-04-0187	1	STOPPER PLATE FOR PEDAL (LEFT)
20	39-57-0125	1	FOOTBOARD "STICKER INCLUDED"
21	39-50-0020	1	OIL FILTER HOLDER
22	NC01-17-0060	2	HEX. BOLT GR2 ZINC 5/16-18 X 1"
23	NC01-04-0109	2	CARR. BOLT GR2 ZINC 3/8-16 X 1"
24	NC01-75-0011	1	QUICK LINK 1/8 DIA.



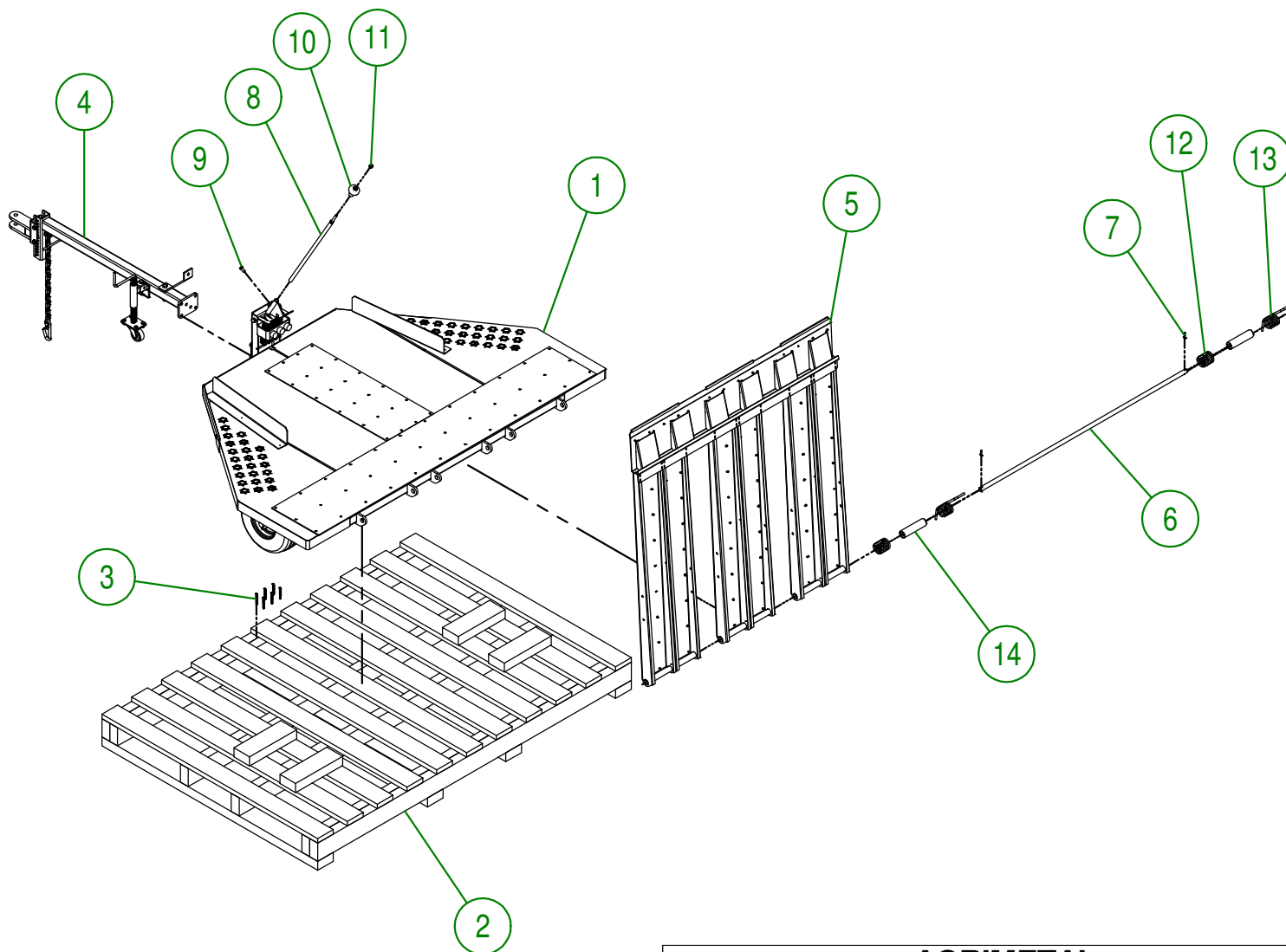
**AGRIMETAL**  
**FRAME GROUP**

CREATION : 08/06/17  
REVISION : 02/05/18

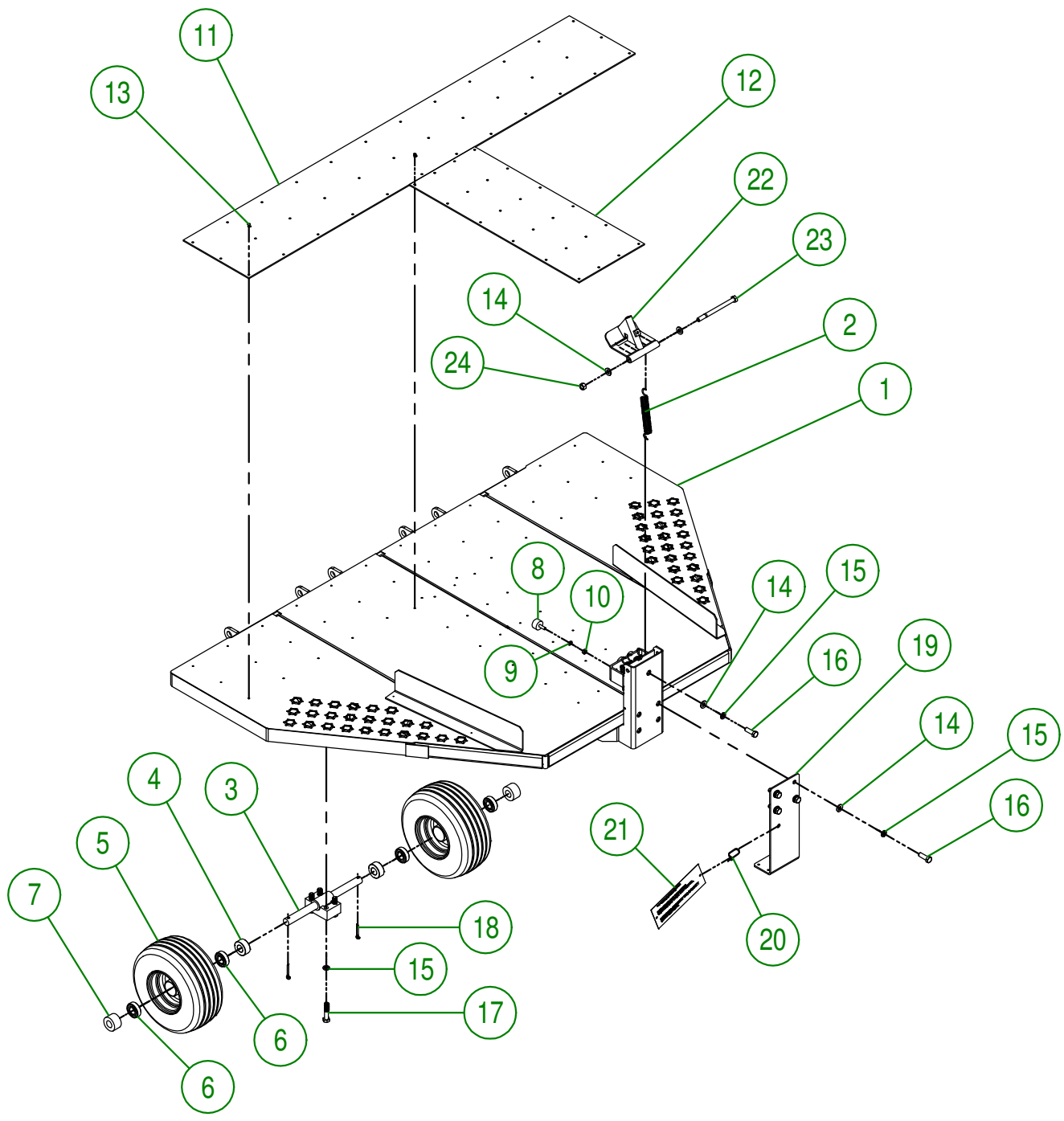
ASSEMBLY : **39-57-0000**

AUTHOR : J.HOULE

#	PART #	Qty	TITLE
1	39-55-0301	1	TRAILER (4 WHEELS)
2	NC13-30-0267	1	PALLET OF TRANSPORT
3	NC02-34-0063	6	FLAT HEAD SCREW FOR WOOD NO.12 X 2 1/2"
4	39-55-0310	1	DRAWBAR
5	39-55-0305	1	RAMP
6	39-13-1010	1	PIVOT RAMP
7	NC01-69-0159	2	COTTER PIN ZINC 3/16 X 1 1/2"
8	39-50-0330	1	MACHINE LOCK LEVER
9	NC01-17-0112	1	HEX. BOLT GR2 ZINC 3/8-16 X 3/4"
10	NC17-46-0018	1	HANDLE KNOB
11	NC01-96-0011	1	NYLON NUT 3/8-16
12	NC13-85-0054	2	TRAILER RAMP SPRING
13	NC13-85-0053	2	TRAILER RAMP SPRING
14	39-42-0120	2	SPRING BUSHING



<b>AGRIMETAL</b>	
TRAILER (4 WHEELS) & PALLET OF TRANSPORT	
CREATION : 08/06/17	ASSEMBLY : <b>39-55-0302</b>
REVISION : 28/02/19	AUTHOR : J. HOULE   Page 2 de 29

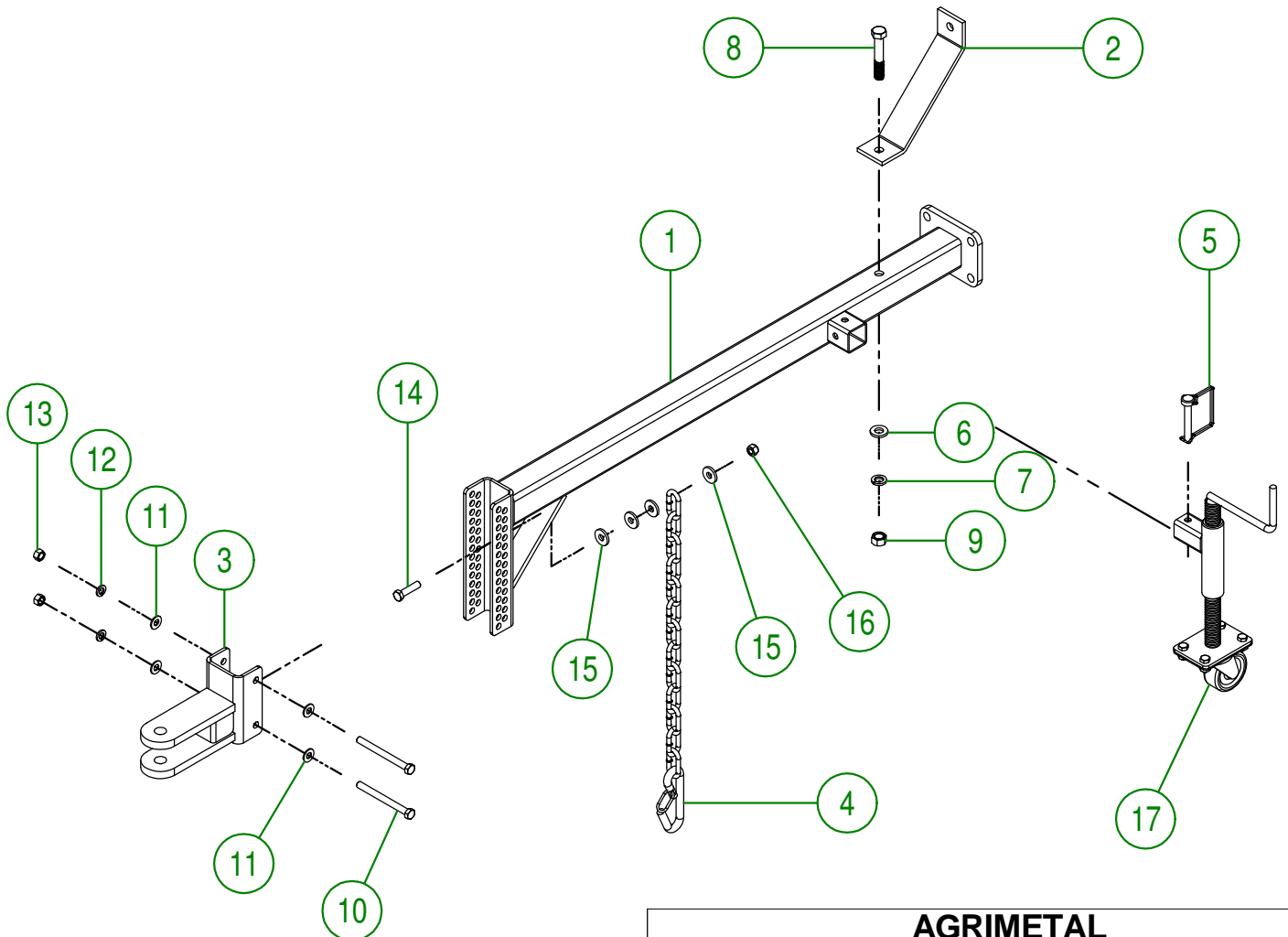


<b>AGRIMETAL</b>	
<b>TRAILER (4 WHEELS)</b>	
CREATION : 08/06/17	ASSEMBLY : <b>39-55-0301</b>
REVISION : 28/02/19	AUTHOR : J. HOULE   Page 3 de 29

## 39-55-0301

#	PART #	Qty	TITLE
1	39-50-0300	1	TRAILER (4 WHEELS)
2	NC13-85-0008	4	GALVANISED SPRING
3	39-50-0321	2	TRAILER AXLE
4	04-42-0135	4	WHEELS BUSHING
5	NC14-70-0276	4	WHEELS
6	NC14-75-0070	8	6205-2RS BEARING
7	39-42-0115	4	WHEEL AXLE RING
8	NC13-15-0034	3	RUBBER ABSORBER
9	NC02-32-0011	3	LOCK WASHER ZINC 5/16"
10	NC02-07-0017	3	HEX. NUT 5/16-18
11	39-42-0035	1	TRAILER RUBBER (BEHIND)
12	39-42-0040	1	TRAILER RUBBER (CENTER)
13	NC01-78-0300	60	RIVETS AC. AV. SUPR. TI. AC. .187 X .515 CAP. RIVET .270
14	01-01-0925	7	WASHER
15	NC02-32-0014	13	LOCK WASHER ZINC 1/2"
16	NC01-17-0249	5	HEX. BOLT GR2 ZINC 1/2-13 X 1 1/2"
17	NC01-33-0253	8	HEX. BOLT GR8 ZINC 1/2-13 X 2 1/2"
18	NC01-69-0180	4	COTTER PIN 1/4 X 1 3/4"
19	39-04-0105	1	TRAILER SUPPORT (TRANSPORT)
20	NC13-25-0019	1	NYLON CABLE TIE
21	NC13-50-0136	1	*WARNING PLEASE UNLOAD* POSTER
22	39-50-0335	1	HOOK LOCK
23	NC01-37-0269	1	HEX. BOLT GR8 ZINC 1/2-20 X 6 1/2" LG
24	NC01-94-0013	1	NYLON NUT ZINC 1/2-20"

#	PART #	Qty	TITLE
1	39-50-0325	1	DRAWBAR
2	39-04-0250	1	DRAWBAR HOLDER
3	33-50-0055	1	WELD ASSEMBLY HAND
4	NC13-80-0228	1	DRAWBAR SAFETY CHAIN
5	NC01-69-1306	1	LOCKING PIN 3/8" X 2 1/2" LG
6	01-01-0925	1	WASHER
7	NC02-32-0014	1	LOCK WASHER ZINC 1/2"
8	NC01-17-0255	1	HEX. BOLT GR2 ZINC 1/2-13 X 3"
9	NC02-07-0020	1	HEX. NUT ZINC 1/2-13
10	NC01-25-0126	2	HEX. BOLT GR5 ZINC 3/8-16 X 4"
11	01-01-2485	4	FLAT WASHER
12	NC02-32-0012	2	LOCK WASHER ZINC 3/8"
13	NC02-07-0018	2	HEX. NUT ZINC 3/8-16
14	NC01-17-0116	1	HEX. BOLT GR2 ZINC 3/8-16 X 1 1/2"
15	21-01-0950	4	FLAT WASHER IOGA 1.005" DIA X 25/64"
16	NC01-96-0011	1	NYLON NUT 3/8-16
17	33-55-0595	1	ASSEMBLY LEG



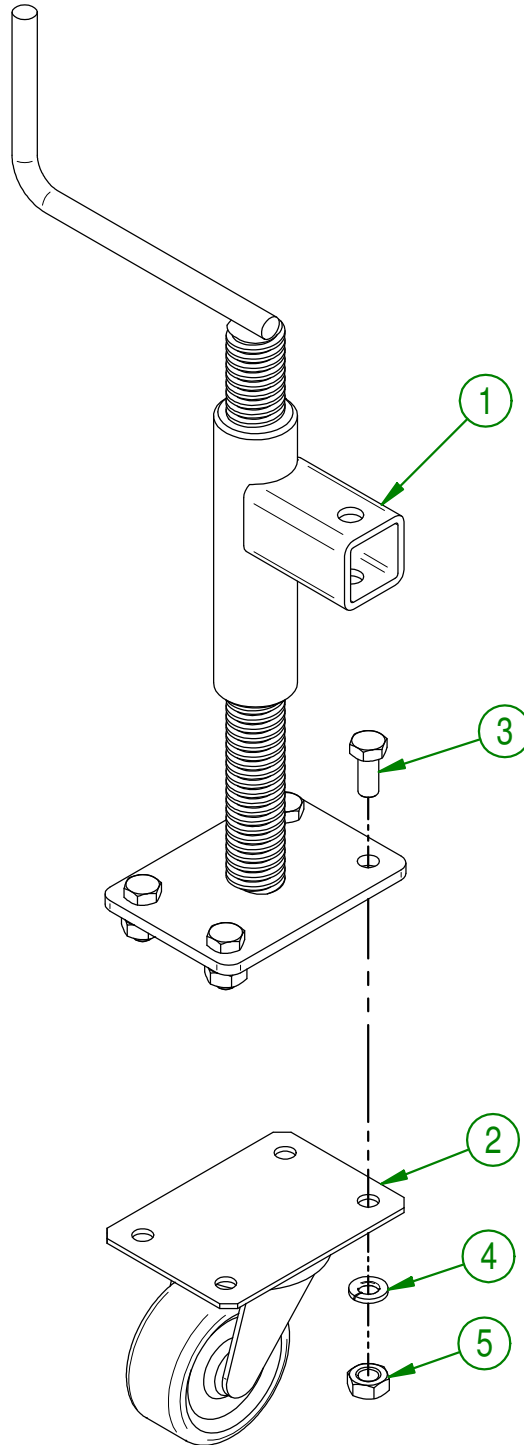
**AGRIMETAL**  
**DRAWBAR**

CREATION : 08/06/17  
REVISION : 24/01/18

ASSEMBLY : **39-55-0310**

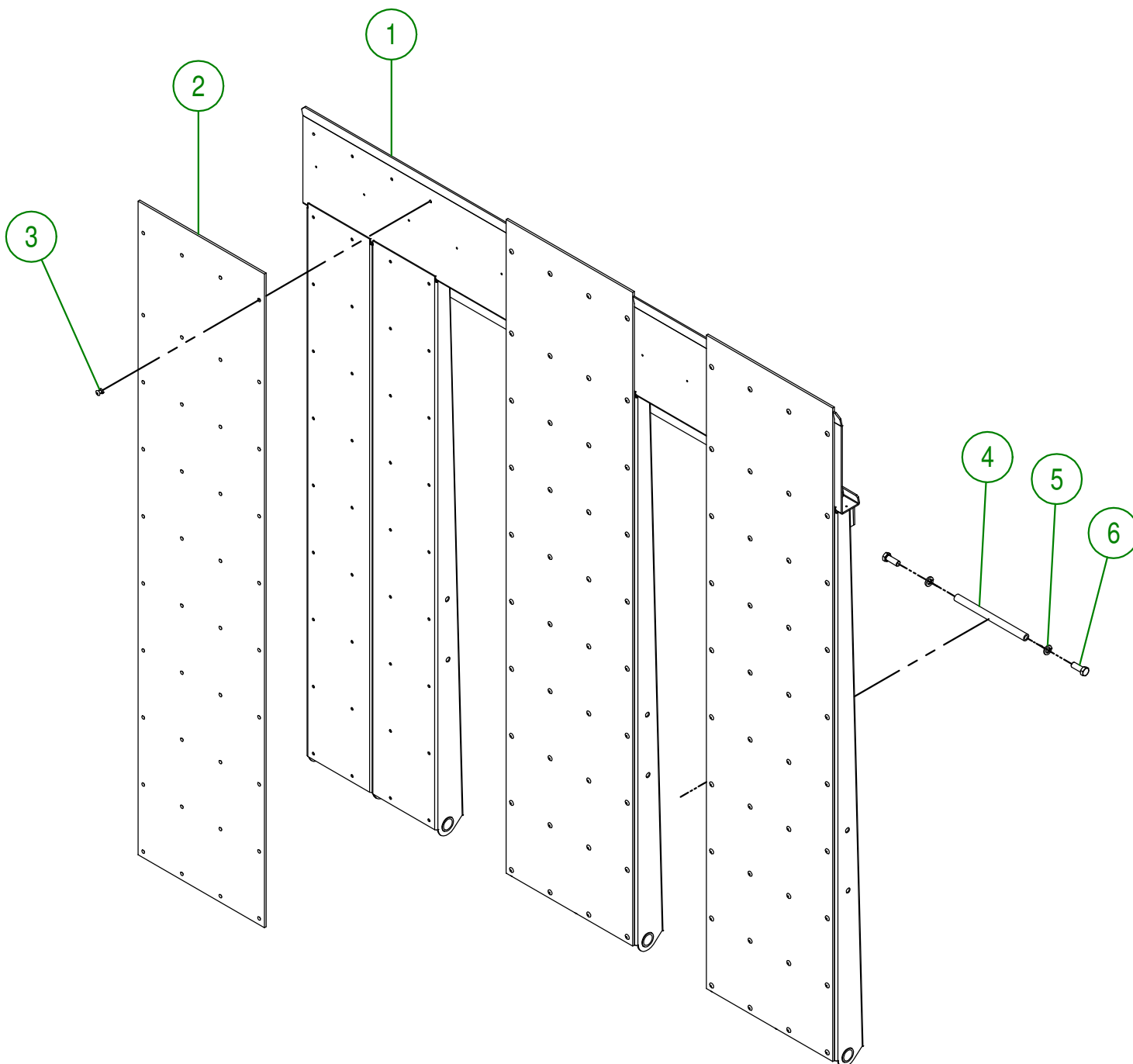
AUTHOR : J.HOULE

#	PART #	Qty	TITLE
1	33-50-0576	1	WELD ASSEMBLY LEG
2	NC14-70-0323	1	CASTER 1" X 2 1/4"
3	NC01-17-0058	4	HEX. BOLT GR2 ZINC 5/16-18 X 3/4"
4	NC02-32-0011	4	LOCK WASHER ZINC 5/16"
5	NC02-07-0017	4	HEX. NUT 5/16-18



<b>AGRIMETAL</b>	
<b>ASSEMBLY LEG</b>	
CREATION : 13/11/17	ASSEMBLY : <b>33-55-0595</b>
REVISION : 24/01/18	AUTHOR : J.KABWE   Page 6 de 29

#	PART #	Qty	TITLE
1	39-50-0306	1	RAMP
2	39-42-0030	3	RAMP RUBBER
3	NC01-78-0300	120	RIVETS AC. AV. SUPR. TI. AC. .187 X .515 CAP. RIVET .270
4	39-13-0650	1	RAMP LOCK
5	NC02-32-0012	2	LOCK WASHER ZINC 3/8"
6	NC01-17-0114	2	HEX. BOLT GR2 ZINC 3/8-16 X 1"



**AGRIMETAL**  
**RAMP**

CREATION : 08/06/17  
REVISION : 02/05/18

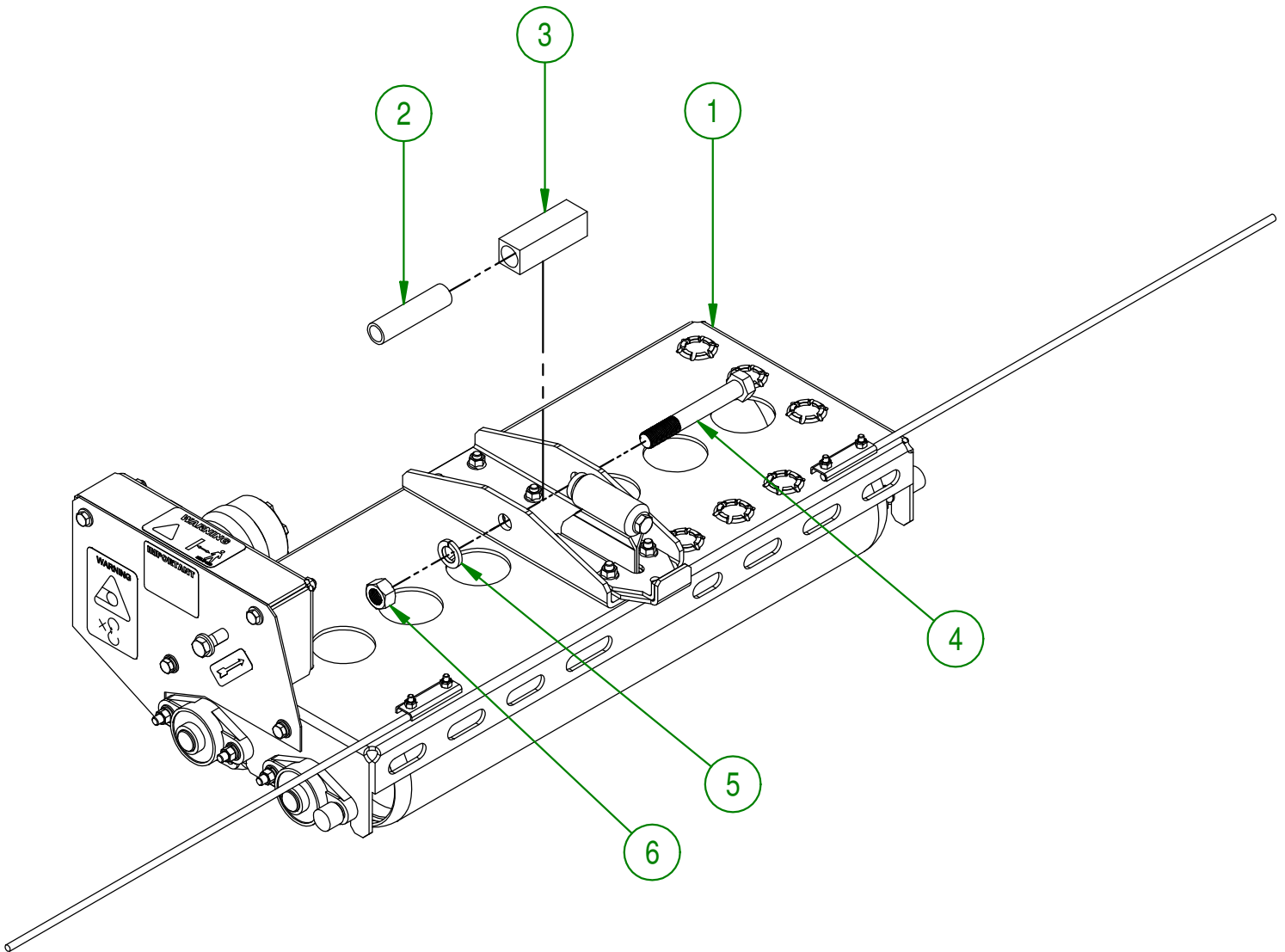
ASSEMBLY : **39-55-0305**

AUTHOR : J.HOULE

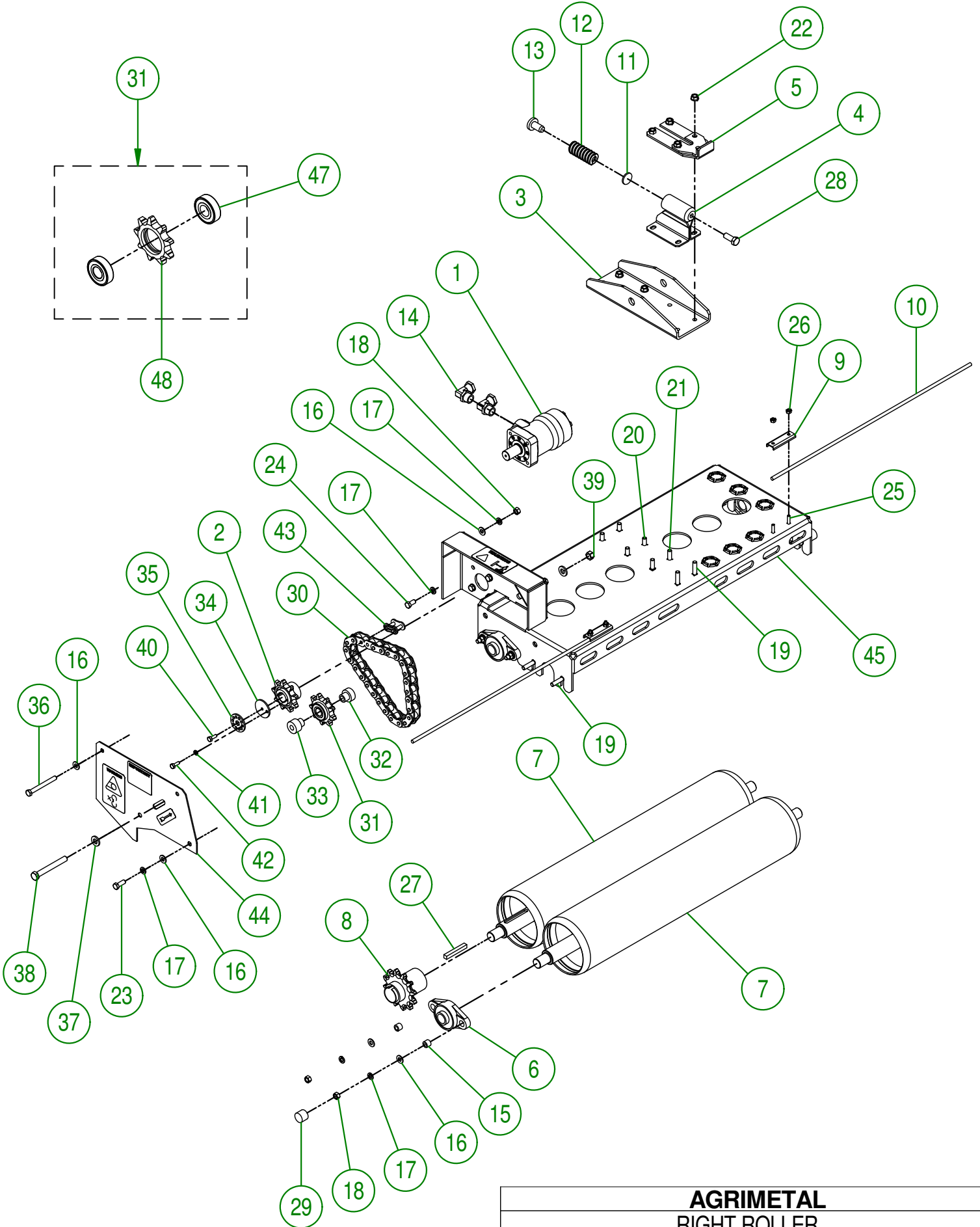
Page 7 de 29



#	PART #	Qty	TITLE
1	39-55-0006	1	RIGHT ROLLER
2	39-09-1205	1	BUSHING
3	39-42-0700	1	PIVOTING BLOCK
4	NC01-37-0480	1	HEX. BOLT GR8 ZINC 3/4-16 X 5 1/2"
5	NC02-32-0017	1	LOCK WASHER ZINC 3/4"
6	NC02-11-0023	1	NUT 3/4-16



<b>AGRIMETAL</b>	
<b>RIGHT ROLLER GROUP</b>	
CREATION : 09/06/17	ASSEMBLY : <b>39-57-0100</b>
REVISION : 04/05/18	AUTHOR : J. HOULE   Page 8 de 29



<b>AGRIMETAL</b>		
<b>RIGHT ROLLER</b>		
CREATION : 26/01/17	ASSEMBLY : <b>39-55-0006</b>	
REVISION : 02/05/18	AUTHOR : Dessin1	Page 9 de 29

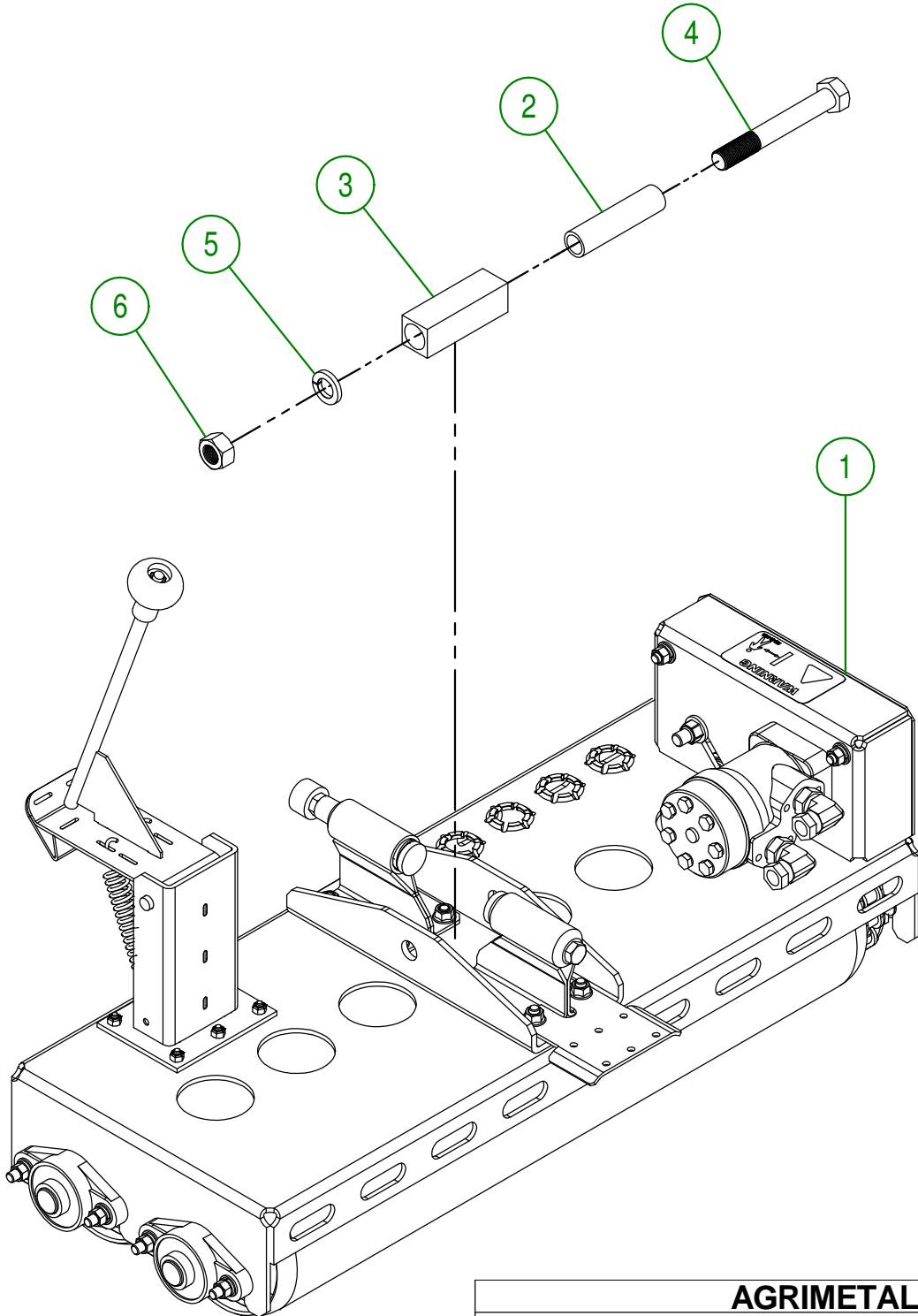
## 39-55-0006

#	PART #	Qty	TITLE
1	NC14-45-0041	1	100cc HYDRAULIC MOTOR
2	39-50-0056	1	HYDRAULIC MOTOR SPROCKET
3	39-04-0225	1	ROLLER SUPPORT
4	39-50-0045	1	SPRING GUIDE
5	39-50-0310	1	TRAILER HOOK (TRAILER)
6	NC14-75-0019	4	FLANGE PILLOW BLOCK BEARING
7	39-50-0096	2	ROLLER (1 KW)
8	39-50-0051	1	ROLLER SPROCKET
9	39-01-2440	2	GUIDE ROD CLAMP
10	39-42-0600	2	GUIDE ROD
11	39-01-1000	1	SPRING GUIDE WASHER
12	NC13-86-0159	1	RED SPRING 1 1/4"OD X 5/8"ID X 2" LG
13	39-42-0100	1	SPRING TIP
14	NC13-45-0028	2	ELBOW 90° 7/8-14 MALE SAE O RING X 1/2 FEM NPT
15	01-09-0000	8	BEARING RACE (UCFL205-16)
16	01-01-2485	14	FLAT WASHER
17	NC02-32-0012	16	LOCK WASHER ZINC 3/8"
18	NC02-07-0018	10	HEX. NUT ZINC 3/8-16
19	NC01-04-0111	10	CARR. BOLT GR2 ZINC 3/8-16 X 1 1/2"
20	NC01-04-0109	4	CARR. BOLT GR2 ZINC 3/8-16 X 1"
21	NC01-04-0110	2	CARR. BOLT GR2 ZINC 3/8-16 X 1 1/4"
22	NC02-14-0019	8	FLANGE NUT HEX. NC 3/8-16 GR. B
23	NC01-17-0114	2	HEX. BOLT GR2 ZINC 3/8-16 X 1"
24	NC01-17-0112	4	HEX. BOLT GR2 ZINC 3/8-16 X 3/4"
25	NC01-04-0005	4	CARR. BOLT GR2 ZINC 1/4-20 X 1"
26	NC01-96-0009	4	NYLON-INSERT LOCKNUT ZINC 1/4-20
27	48-41-0905	1	SQUARE KEY 3/8" X 2 3/4" LG
28	NC01-17-0248	1	HEX. BOLT GR2 ZINC 1/2-13 X 1 1/4"
29	39-42-0110	2	ROLLER NUT CAP
30	39-37-1020	1	#80 CHAIN
31	39-55-0135	1	CHAIN TENSIONER SPROCKET
32	39-21-0050	1	CHAIN TENSIONER SHAFT (SHORT)
33	39-21-0053	1	CHAIN TENSIONER SHAFT (LONG)
34	39-01-1096	1	SPROCKET WASHER
35	39-01-1101	1	SPROCKET WASHER LOCK
36	NC01-17-0124	2	HEX. BOLT GR2 ZINC 3/8-16 X 3 1/2"
37	01-01-0925	2	WASHER
38	NC01-17-0259	1	HEX. BOLT GR2 ZINC 1/2-13 X 4"
39	NC01-96-0014	1	NYLON-INSERT LOCKNUT ZINC 1/2-13
40	NC01-25-0004	1	HEX. BOLT GR5 ZINC 1/4-20 X 3/4"
41	NC02-32-0010	1	LOCK WASHER ZINC 1/4"
42	NC01-37-0004	1	HEX. BOLT GR2 ZINC 1/4-28 X 3/4"
43	NC14-20-0072	1	80 SL CHAIN (MESH)
44	39-57-0050	1	RIGHT ROLLER GUARD
45	39-57-0156	1	ROLLER HOUSING (RIGHT)

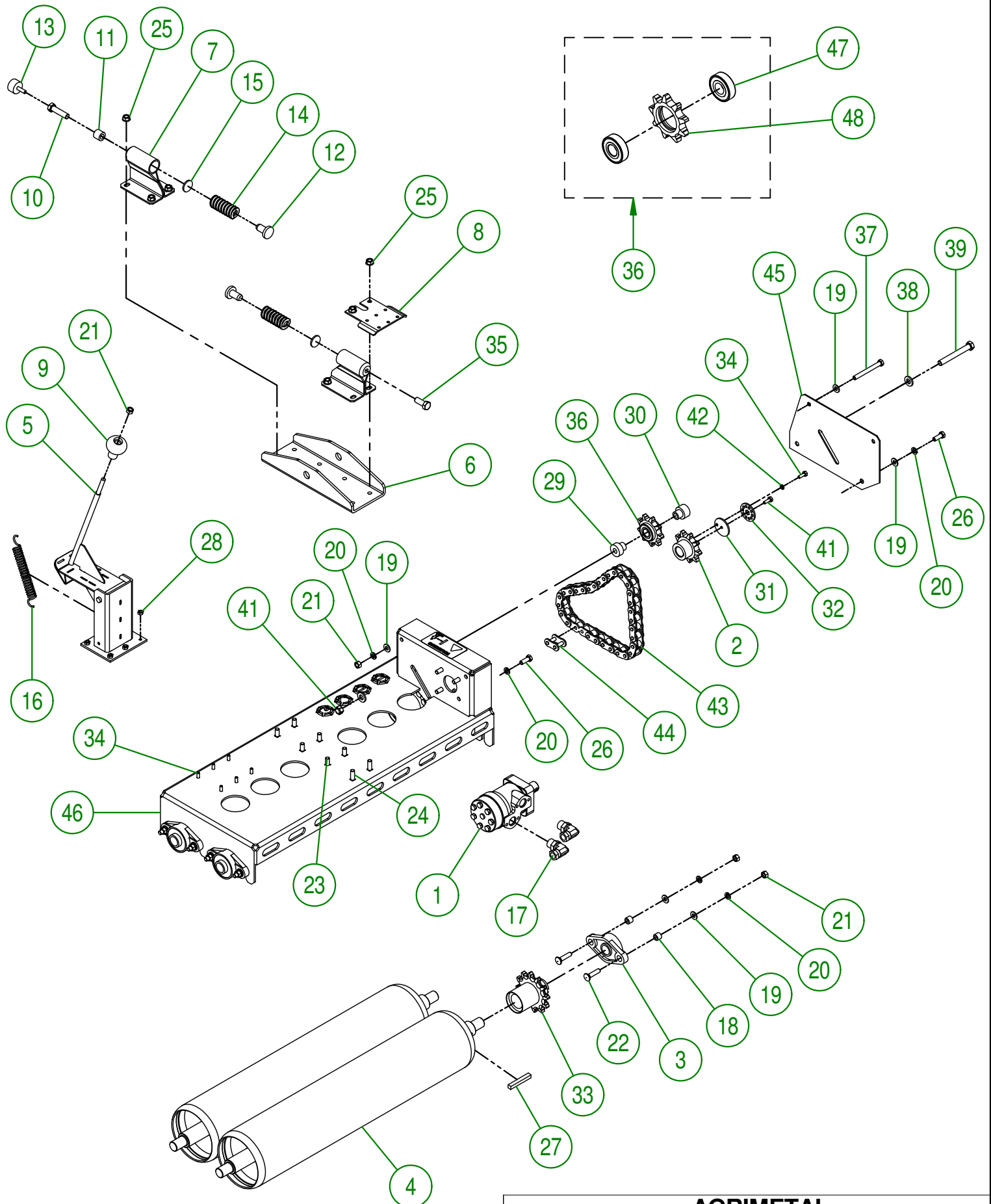
## 39-55-0135

#	PART #	QTY	TITLE
47	NC14-75-0134	2	6204 X 3/4"ID BEARING
48	39-36-0605	1	CHAIN TENSIONER SPROCKET

#	PART #	Qty	TITLE
1	39-55-0011	1	FRONT-LEFT ROLLER
2	39-09-1205	1	BUSHING
3	39-42-0700	1	PIVOTING BLOCK
4	NC01-37-0480	1	HEX. BOLT GR8 ZINC 3/4-16 X 5 1/2"
5	NC02-32-0017	1	LOCK WASHER ZINC 3/4"
6	NC02-11-0023	1	NUT 3/4-16



<b>AGRIMETAL</b>	
<b>FRONT-LEFT ROLLER</b>	
CREATION : 09/06/17	ASSEMBLY : <b>39-57-0105</b>
REVISION : 04/05/18	AUTHOR : Dessin1    Page 11 de 29



**AGRIMETAL**  
**FRONT-LEFT ROLLER**

CREATION : 26/01/17  
 REVISION : 02/05/18

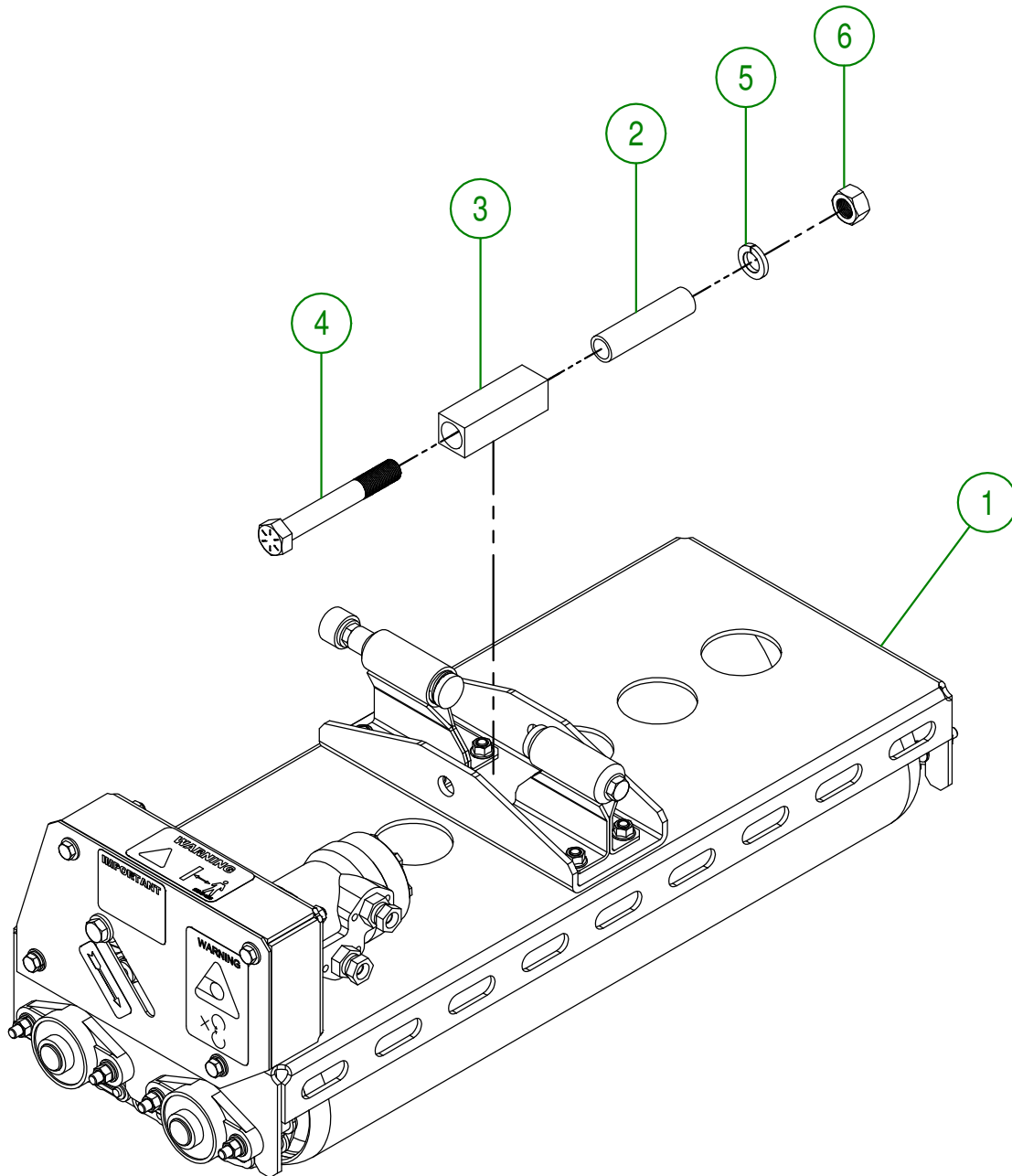
ASSEMBLY : **39-55-0011**

AUTHOR : Dessin1 Page 12 de 29

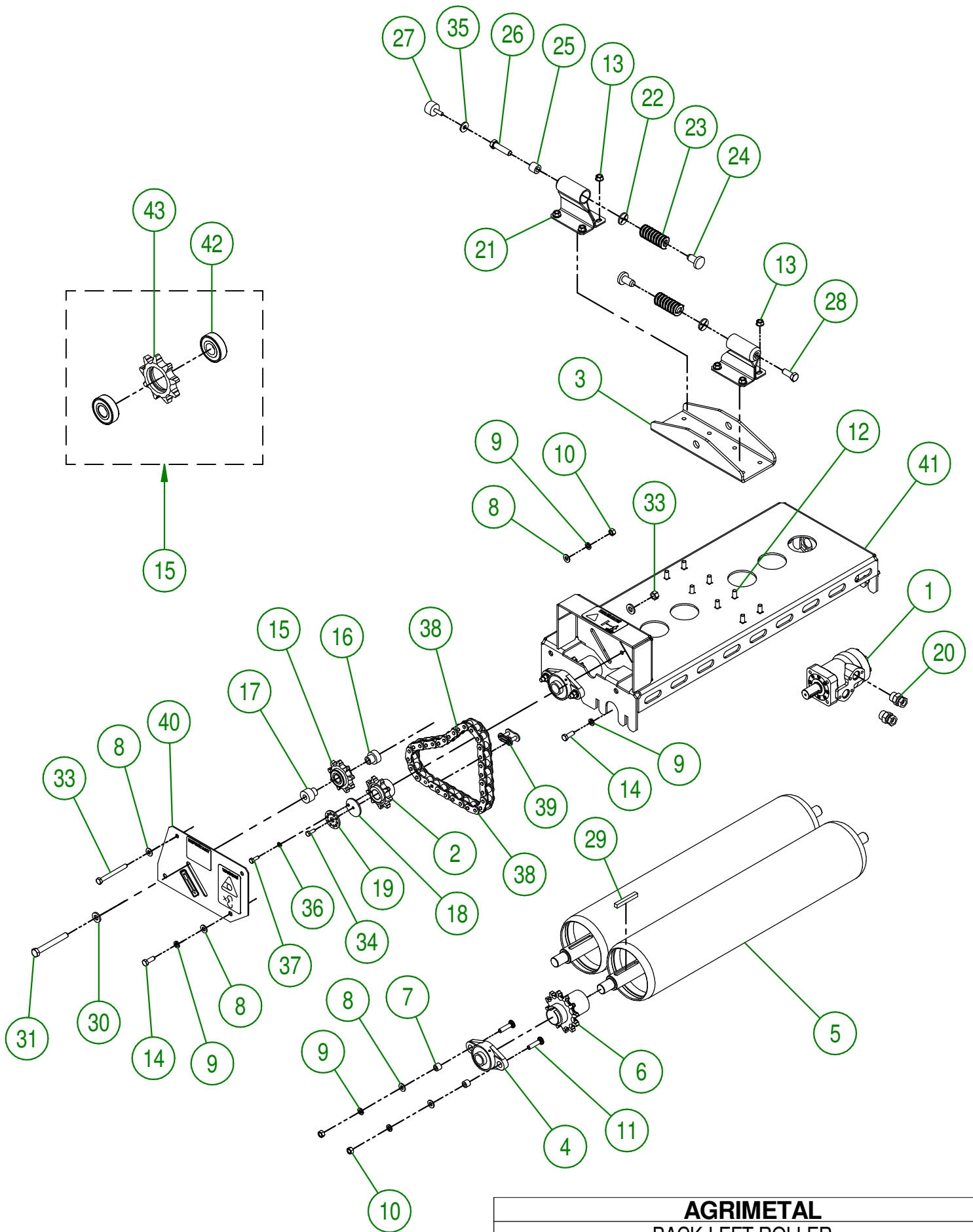
## 39-55-0011

#	PART #	QTY	TITLE
1	NC14-45-0040	1	50cc HYDRAULIC MOTOR
2	39-50-0056	1	HYDRAULIC MOTOR SPROCKET
3	NC14-75-0019	4	FLANGE PILLOW BLOCK BEARING UCFL205-16 Ø 1"
4	39-50-0096	2	ROLLER (1 KW)
5	39-50-0065	1	RAMP LOCK
6	39-04-0225	1	ROLLER SUPPORT
7	39-50-0045	2	SPRING GUIDE
8	39-01-1050	1	HYDRAULIC HOSE SUPPORT
9	NC17-46-0018	1	HANDLE KNOB
10	39-30-9955	1	RAMP STOP SPACER
11	39-21-0030	1	RAMP STOP SPACER
12	39-42-0100	2	SPRING TIP
13	NC13-15-0034	1	RUBBER ABSORBER
14	NC13-86-0159	2	RED SPRING 1 1/4"OD X 5/8"ID X 2" LG
15	39-01-1000	2	SPRING GUIDE WASHER
16	NC13-85-0008	2	GALVANISED SPRING
17	NC13-45-0072	2	ELBOW 90 7/8-14 MALE SAE10 O-RING X 3/8 FEM. TOUR. NPT
18	01-09-0000	8	BEARING RACE (UCFL205-16)
19	01-01-2485	14	FLAT WASHER 14 GA X 13/16"OD X 25/64" ID
20	NC02-32-0012	16	LOCK WASHER ZINC 3/8"
21	NC02-07-0018	11	HEX. NUT ZINC 3/8-16
22	NC01-04-0111	8	CARR. BOLT GR2 ZINC 3/8-16 X 1 1/2"
23	NC01-04-0109	6	CARR. BOLT GR2 ZINC 3/8-16 X 1"
24	NC01-04-0110	2	CARR. BOLT GR2 ZINC 3/8-16 X 1 1/4"
25	NC02-14-0019	8	FLANGE NUT HEX. NC 3/8-16 GR. B
26	NC01-17-0114	6	HEX. BOLT GR2 ZINC 3/8-16 X 1"
27	48-41-0905	2	SQUARE KEY 3/8" X 2 3/4" LG
28	NC01-97-0004	6	NYLON-INSERT LOCKNUT ZINC 1/4-28
29	39-21-0050	1	CHAIN TENSIONER SHAFT (SHORT)
30	39-21-0053	1	CHAIN TENSIONER SHAFT
31	39-01-1096	1	SPROCKET WASHER
32	39-01-1101	1	SPROCKET WASHER LOCK
33	39-50-0051	2	ROLLER SPROCKET
34	NC01-37-0004	7	HEX. BOLT GR2 ZINC 1/4-28 X 3/4"
35	NC01-17-0248	1	HEX. BOLT GR2 ZINC 1/2-13 X 1 1/4"
36	39-55-0135	1	CHAIN TENSIONER SPROCKET
37	NC01-17-0124	2	HEX. BOLT GR2 ZINC 3/8-16 X 3 1/2"
38	01-01-0925	2	WASHER
39	NC01-17-0259	1	HEX. BOLT GR2 ZINC 1/2-13 X 4"
40	NC01-96-0014	1	NYLON-INSERT LOCKNUT ZINC 1/2-13
41	NC01-25-0004	1	HEX. BOLT GR5 ZINC 1/4-20 X 3/4"
42	NC02-32-0010	1	LOCK WASHER ZINC 1/4"
43	39-37-1025	1	#80 CHAIN
44	NC14-20-0072	1	80 SL CHAIN (MESH)
45	39-57-0055	1	ROLLER GUARD (FRONT-LEFT)
46	39-57-0161	1	ROLLER HOUSING (FRONT-LEFT)
39-55-0135			
47	NC14-75-0134	2	6204 X 3/4"ID BEARING
48	39-36-0605	1	CHAIN TENSIONER SPROCKET

#	PART #	Qty	TITLE
1	39-55-0016	1	BACK-LEFT ROLLER
2	39-09-1205	1	BUSHING
3	39-42-0700	1	PIVOTING BLOCK
4	NC01-37-0480	1	HEX. BOLT GR8 ZINC 3/4-16 X 5 1/2"
5	NC02-32-0017	1	LOCK WASHER ZINC 3/4"
6	NC02-11-0023	1	NUT 3/4-16



<b>AGRIMETAL</b>	
<b>BACK-LEFT ROLLER</b>	
CREATION : 09/06/17	ASSEMBLY : <b>39-57-0110</b>
REVISION : 02/05/18	AUTHOR : Dessin1 Page 14 de 29



**AGRIMETAL**  
**BACK-LEFT ROLLER**

CREATION : 22/03/17  
 REVISION : 18/03/21

ASSEMBLY : **39-55-0016**  
 AUTHOR : J. HOULE

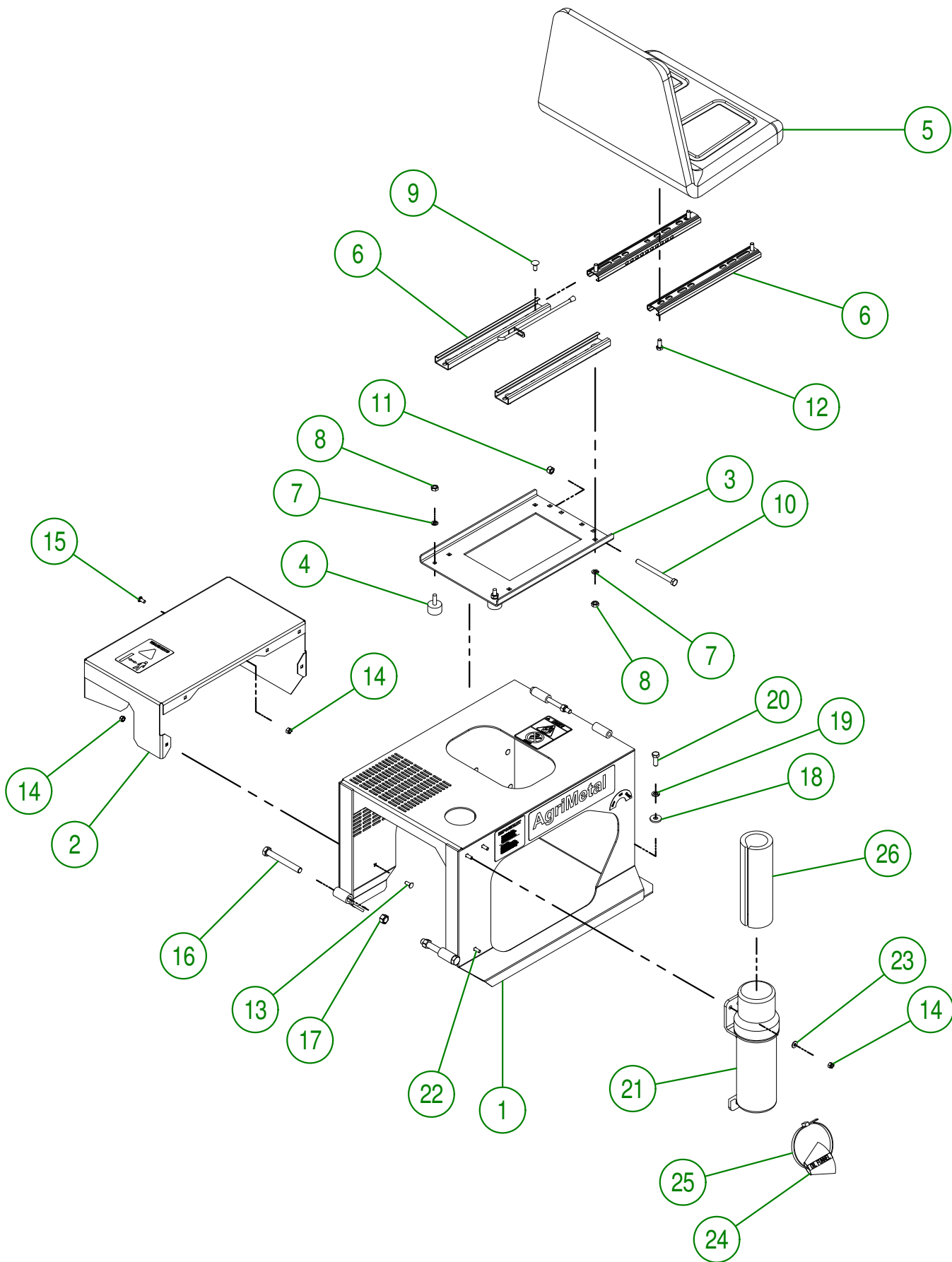


## 39-55-0016

#	PART #	Qty	TITLE
1	NC14-45-0040	1	50cc HYDRAULIC MOTOR
2	39-50-0056	1	HYDRAULIC MOTOR SPROCKET
3	39-04-0225	1	ROLLER SUPPORT
4	NC14-75-0019	4	FLANGE PILLOW BLOCK BEARING UCFL205-16 Ø 1"
5	39-50-0096	2	ROLLER (1 KW)
6	39-50-0051	2	ROLLER SPROCKET
7	01-09-0000	8	BEARING RACE (UCFL205-16)
8	01-01-2485	14	FLAT WASHER 14 GA X 13/16"OD X 25/64" ID
9	NC02-32-0012	16	LOCK WASHER ZINC 3/8"
10	NC02-07-0018	10	HEX. NUT ZINC 3/8-16
11	NC01-04-0111	8	CARR. BOLT GR2 ZINC 3/8-16 X 1 1/2"
12	NC01-04-0109	8	CARR. BOLT GR2 ZINC 3/8-16 X 1"
13	NC02-14-0019	8	FLANGE NUT HEX. NC 3/8-16 GR. B
14	NC01-17-0114	6	HEX. BOLT GR2 ZINC 3/8-16 X 1"
15	39-55-0135	1	CHAIN TENSIONER SPROCKET
16	39-21-0050	1	CHAIN TENSIONER SHAFT (SHORT)
17	39-21-0053	1	CHAIN TENSIONER SHAFT
18	39-01-1096	1	SPROCKET WASHER
19	39-01-1101	1	SPROCKET WASHER LOCK
20	NC13-45-0073	2	STRAIGHT 7/8-14 MALE SAE10 O-RING X 3/8 FEM. TOUR. NPT
21	39-50-0045	2	SPRING GUIDE
22	39-01-1000	2	SPRING GUIDE WASHER
23	NC13-86-0159	2	RED SPRING 1 1/4"OD X 5/8"ID X 2" LG
24	39-42-0100	2	SPRING TIP
25	39-21-0030	1	RAMP STOP SPACER
26	39-30-9955	1	RAMP STOP SPACER
27	NC13-15-0034	1	RUBBER ABSORBER
28	NC01-17-0248	1	HEX. BOLT GR2 ZINC 1/2-13 X 1 1/4"
29	48-41-0905	2	SQUARE KEY 3/8" X 2 3/4" LG
30	01-01-0925	2	WASHER
31	NC01-17-0259	1	HEX. BOLT GR2 ZINC 1/2-13 X 4"
32	NC01-96-0014	1	NYLON-INSERT LOCKNUT ZINC 1/2-13
33	NC01-17-0124	2	HEX. BOLT GR2 ZINC 3/8-16 X 3 1/2"
34	NC01-25-0004	1	HEX. BOLT GR5 ZINC 1/4-20 X 3/4"
35	21-01-0950	1	FLAT WASHER 10GA 1.005" DIA X 25/64"
36	NC02-32-0010	1	LOCK WASHER ZINC 1/4"
37	NC01-37-0004	1	HEX. BOLT GR2 ZINC 1/4-28 X 3/4"
38	39-37-1025	1	#80 CHAIN
39	NC14-20-0072	1	80 SL CHAIN (MESH)
40	39-57-0060	1	ROLLER GUARD (BACK-LEFT)
41	39-57-0166	1	ROLLER HOUSING (BACK-LEFT)

## 39-55-0135

#	PART #	Qty	TITLE
42	NC14-75-0134	2	6204 X 3/4"ID BEARING
43	39-36-0605	1	CHAIN TENSIONER SPROCKET



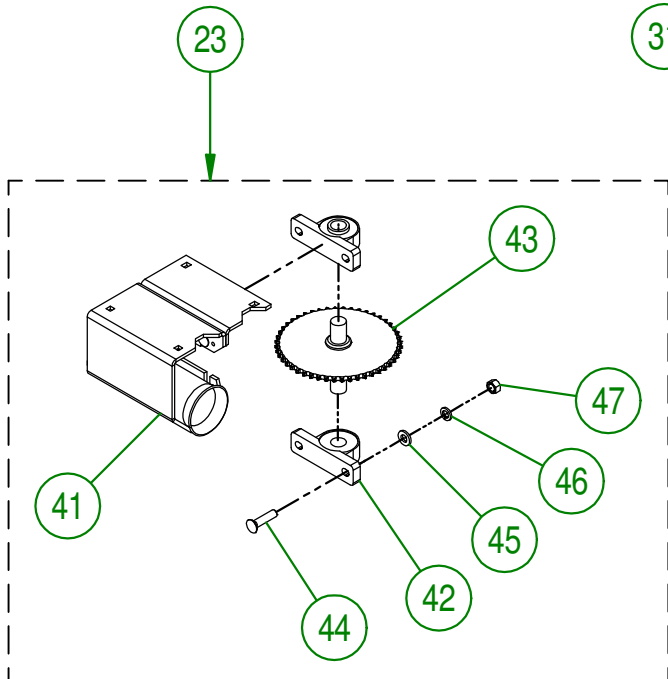
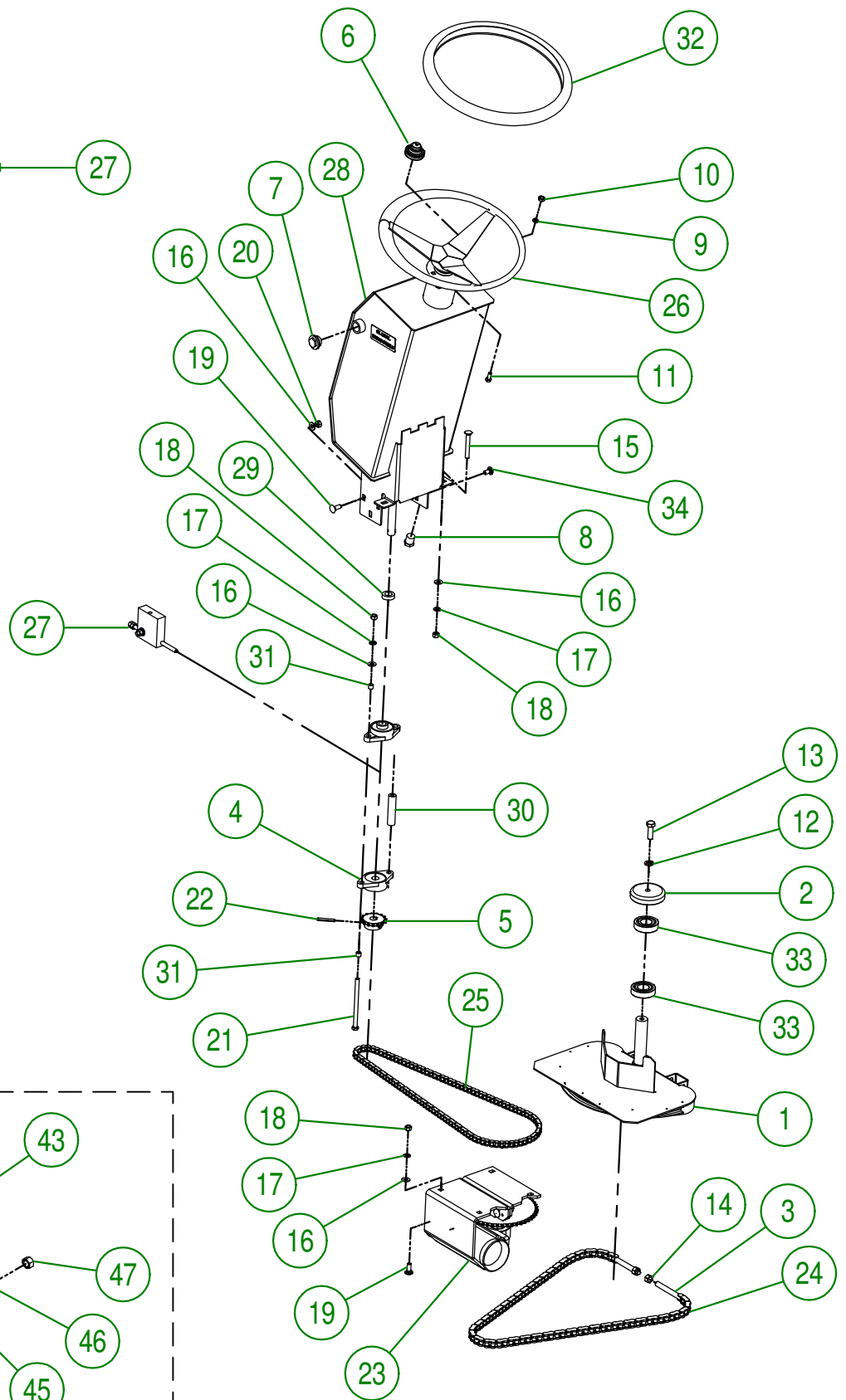
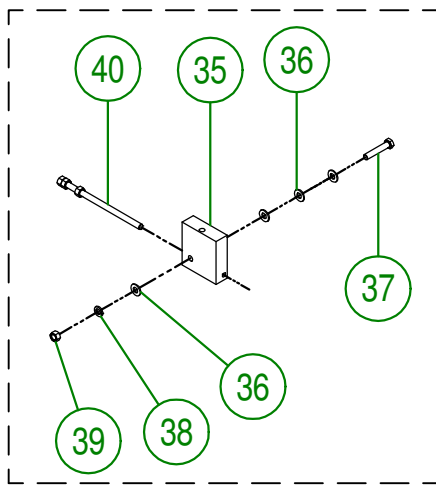
**AGRIMETAL**  
**ENGINE COVER GROUP**

CREATION : 08/06/17  
 REVISION : 28/02/19

ASSEMBLY : **39-57-0040**

AUTHOR : J.HOULE Page 17 de 29

#	PART #	Qty	TITLE
1	39-57-0010	1	ENGINE COVER
2	39-57-0035	1	HYDROSTATIC PUMP GUARD
3	39-50-0115	1	SEAT FOLDER HOLDER
4	NC13-15-0034	2	RUBBER ABSORBER
5	NC13-80-0200	1	SEAT
6	NC13-80-0201	1	SET OF SEAT RAIL
7	NC02-32-0011	6	LOCK WASHER ZINC 5/16"
8	NC02-07-0017	6	HEX. NUT 5/16-18
9	NC01-04-0056	4	CARR. BOLT 5/16-18 X3/4"
10	NC01-17-0128	2	HEX. BOLT GR2 ZINC 3/8-16 X 4 1/2"
11	NC01-96-0011	2	NYLON NUT 3/8-16
12	NC01-17-0058	4	HEX. BOLT GR2 ZINC 5/16-18 X 3/4"
13	NC01-04-0002	5	CARR. BOLT GR2 ZINC 1/4-20 X 5/8"
14	NC01-96-0009	10	NYLON-INSERT LOCKNUT ZINC 1/4-20
15	NC01-04-0001	2	CARR. BOLT GR2 ZINC 1/4-20 X1/2"
16	NC01-17-0259	2	HEX. BOLT GR2 ZINC 1/2-13 X 4"
17	NC01-96-0014	2	NYLON-INSERT LOCKNUT ZINC 1/2-13
18	21-01-0950	2	FLAT WASHER 10GA 1.005" DIA X 25/64"
19	NC02-32-0012	2	LOCK WASHER ZINC 3/8"
20	NC01-17-0114	2	HEX. BOLT GR2 ZINC 3/8-16 X 1"
21	NC13-30-0237	1	PLASTIC TUBE FOR OPERATOR'S MANUAL
22	NC01-04-0003	3	CARR. BOLT GR2 ZINC 1/4-20 X 3/4"
23	NC02-25-0007	3	WASHER ZINC 0.281 = 9/32
24	39-57-0640	1	FUNNEL FOR OIL DRAINING GROUP
25	NC13-25-0229	1	BLACK NYLON CABLE TIE
26	39-98-0620	1	OPERATOR'S MANUAL



<b>AGRIMETAL</b>	
<b>STEERING SYSTEM GROUP</b>	
CREATION : 08/06/17	ASSEMBLY : <b>39-57-0045</b>
REVISION : 05/06/18	AUTHOR : J. HOULE Page 19 de 29

## 39-57-0045

#	PART #	Qty	TITLE
1	39-50-0070	1	STEERING PLATE
2	39-21-0000	1	STEERING PLATE SHAFT COVER
3	39-30-9950	2	CHAIN TENSIONER
4	NC14-75-0018	2	MOUNTED BALLS BEARING UCFL204-12
5	39-36-0200	1	STEERING SHAFT SPINDLE
6	NC13-37-0121	1	TANK CAP
7	NC01-76-0001	1	SIGHT GLASS 3/4 NPT
8	NC13-45-0015	1	HEX. CAP 1/2 NPTF MALE
9	NC02-32-0011	3	LOCK WASHER ZINC 5/16"
10	NC02-07-0017	3	HEX. NUT 5/16-18
11	NC01-17-0058	3	HEX. BOLT GR2 ZINC 5/16-18 X 3/4"
12	NC02-32-0014	1	LOCK WASHER ZINC 1/2"
13	NC01-17-0249	1	HEX. BOLT GR2 ZINC 1/2-13 X 1 1/2"
14	NC01-96-0014	2	NYLON-INSERT LOCKNUT ZINC 1/2-13
15	NC01-04-0116	2	CARR. BOLT GR2 ZINC 3/8-16 X 2 3/4"
16	01-01-2485	14	FLAT WASHER
17	NC02-32-0012	8	LOCK WASHER ZINC 3/8"
18	NC02-07-0018	8	HEX. NUT ZINC 3/8-16
19	NC01-04-0109	9	CARR. BOLT GR2 ZINC 3/8-16 X 1"
20	NC01-93-0011	6	STOP NUT 3/8-16
21	NC01-17-0132	2	HEX. BOLT GR2 NC 3/8-16 X 5 1/2" TL
22	NC01-69-0463	1	SPRING PIN 1/4" X 1 3/4"
23	39-55-0040	1	STEERING SPROCKET HOLDER
24	39-37-1015	1	#50 CHAIN
25	39-37-1000	1	#40 CHAIN
26	39-55-0130	1	STEERING WHEEL
27	39-55-0125	1	CHAIN TENSIONER BLOCK
28	39-57-0005	1	OIL TANK
29	39-21-0025	1	STEERING SEAL RING
30	39-21-0010	1	STEERING BEARING SPACER
31	39-21-0005	4	STEERING BEARING RING
32	NC13-80-0254	1	STEERING WHEEL COVER
33	NC14-75-0091	2	6206 ZZ BEARING
34	NC01-04-0107	1	CARR. BOLT GR2 ZINC 3/8-16 X 3/4"

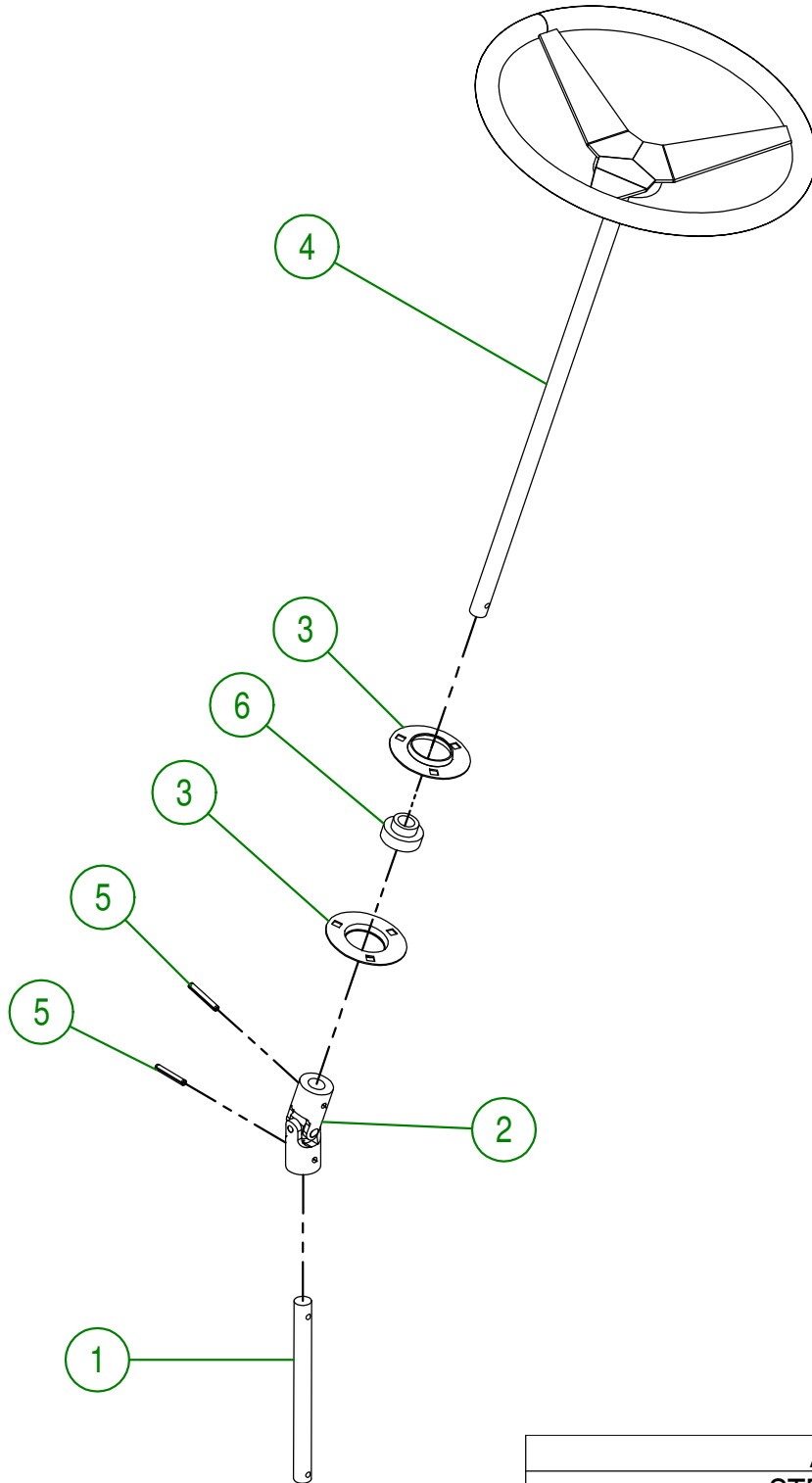
## 39-55-0125

35	39-21-0205	1	CHAIN TENSIONER BLOCK
36	01-01-2485	4	FLAT WASHER
37	NC01-17-0118	1	HEX. BOLT GR2 ZINC 3/8-16 X 2"
38	NC02-32-0012	1	LOCK WASHER ZINC 3/8"
39	NC02-07-0018	1	HEX. NUT ZINC 3/8-16
40	39-55-0110	1	CHAIN TENSIONER BLOCK ROD

## 39-55-0040

41	39-50-0025	1	STEERING SPROCKET HOLDER
42	NC14-75-0033	2	MOUNTED BALL BEARINGS UCP205-16
43	39-50-0060	1	SPROCKET AND STEERING SHAFT
44	NC01-04-0237	4	CARR. BOLT GR2 ZINC 1/2-13 X 2"
45	01-01-0925	4	WASHER
46	NC02-32-0014	4	LOCK WASHER ZINC 1/2"
47	NC02-07-0020	4	HEX. NUT ZINC 1/2-13

#	PART #	Qty	TITLE
1	39-13-1000	1	DRIVING GEAR SHAFT
2	39-41-5750	1	DRIVE GEAR SHAFT SEAL
3	NC14-75-0008	2	STEEL BEARING ONLY 3 HOLES F4 3 9/16" OD
4	39-50-0080	1	STEERING WHEEL
5	NC01-69-0463	2	SPRING PIN 1/4" X 1 3/4"
6	NC14-75-0014	1	STEEL BEARING SB 204-12 X 3/4" ID

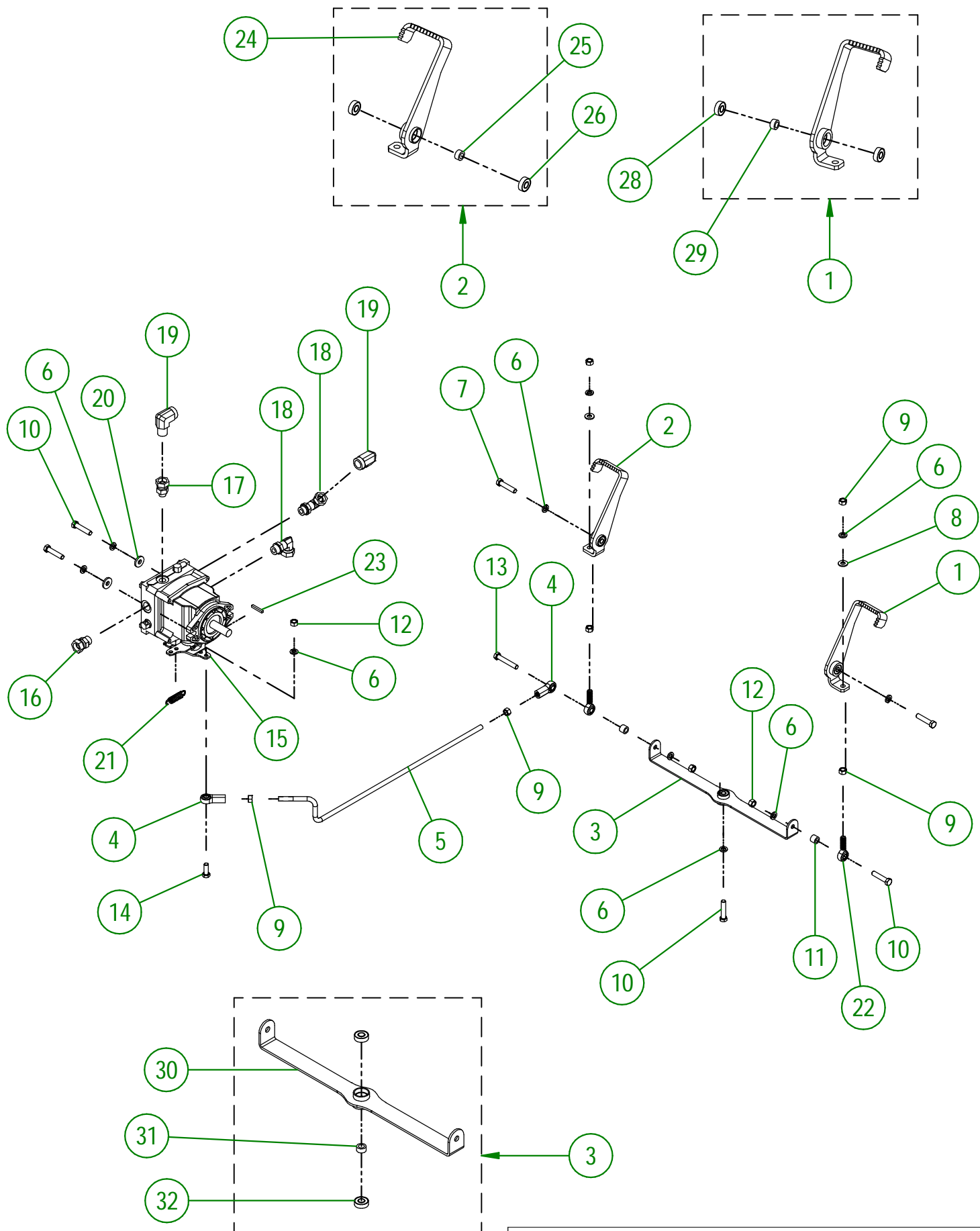


**AGRIMETAL**  
**STEERING WHEEL**

CREATION : 08/06/17  
REVISION : 30/04/18

ASSEMBLY : **39-55-0130**

AUTHOR : J. HOULE | Page 21 de 29



<b>AGRIMETAL</b>	
HYDROSTATIC SYSTEM GROUP	
CREATION : 09/06/17	ASSEMBLY : <b>39-57-0095</b>
REVISION : 02/11/22	AUTHOR : J. HOULE

#	PART #	Qty	TITLE
1	39-55-0025	1	RIGHT PEDAL
2	39-55-0020	1	LEFT PEDAL
3	39-55-0045	1	CARRYING ARM
4	NC01-67-0104	2	INTERNALLY THREADED BALL JOINT ROD ENDS 3/8-24
5	39-13-0400	1	HYDROSTATIC CONTROL ROD
6	NC02-32-0012	10	LOCK WASHER ZINC 3/8"
7	NC01-33-0117	2	CARR. BOLT GR8 ZINC 3/8-16 X 1 3/4"
8	01-01-2485	2	FLAT WASHER 14 GA X 13/16"OD X 25/64" ID
9	NC02-10-0018	6	NUT 3/8-24
10	NC01-17-0117	4	HEX. BOLT GR2 ZINC 3/8-16 X 1 3/4"
11	39-09-0050	2	PEDAL SYSTEM BUSHING
12	NC02-07-0018	3	HEX. NUT ZINC 3/8-16
13	NC01-17-0119	1	HEX. BOLT GR2 ZINC 3/8-16 X 2 1/4"
14	NC01-17-0114	1	HEX. BOLT GR2 ZINC 3/8-16 X 1"
15	NC14-45-0039	1	HYDROSTATIC MOTOR
16	NC13-45-0106	1	STRAIGHT REDUCER 3/4-16 MALE SAE8 O RING X 1/2 FEMALE
17	NC13-45-0220	1	STRAIGHT 9/16 MALE ORING X 1/2 FEMALE NPT
18	NC13-45-0203	2	ELBOW 90° 3/4 MALE ORING X 1/2 FEMALE NPT
19	NC13-45-0025	2	ELBOW 90° 1/2 FEMALE NPT X 1/2 MALE NPT
20	21-01-0950	2	FLAT WASHER 10GA 1.005" DIA X 25/64"
21	NC13-85-0049	1	SPRING
22	NC01-67-0304	2	BALL JOINTS ROD ENDS 3/8-24
23	01-41-0905	1	SQUARE KEY 3/16" X 1 1/4"TL

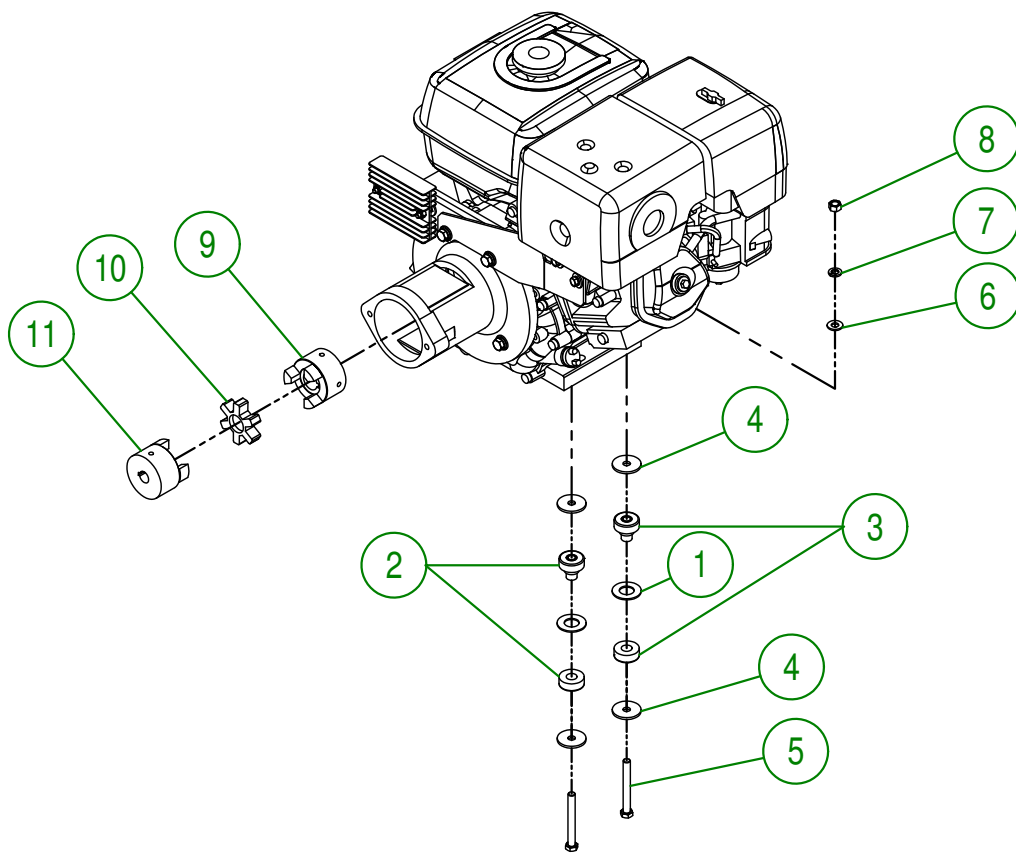
24	39-50-0110	1	LEFT PEDAL
25	01-09-0005	1	BUSHING
26	NC14-75-0153	2	BALL BEARING R6 2RS 3/8" X 7/8" X 0.281"

27	39-50-0105	1	RIGHT PEDAL
28	NC14-75-0153	2	BALL BEARING R6 2RS 3/8" X 7/8" X 0.281"
29	01-09-0005	1	BUSHING

30	39-50-0040	1	CARRYING ARM
31	01-09-0005	1	BUSHING
32	NC14-75-0153	2	BALL BEARING R6 2RS 3/8" X 7/8" X 0.281"

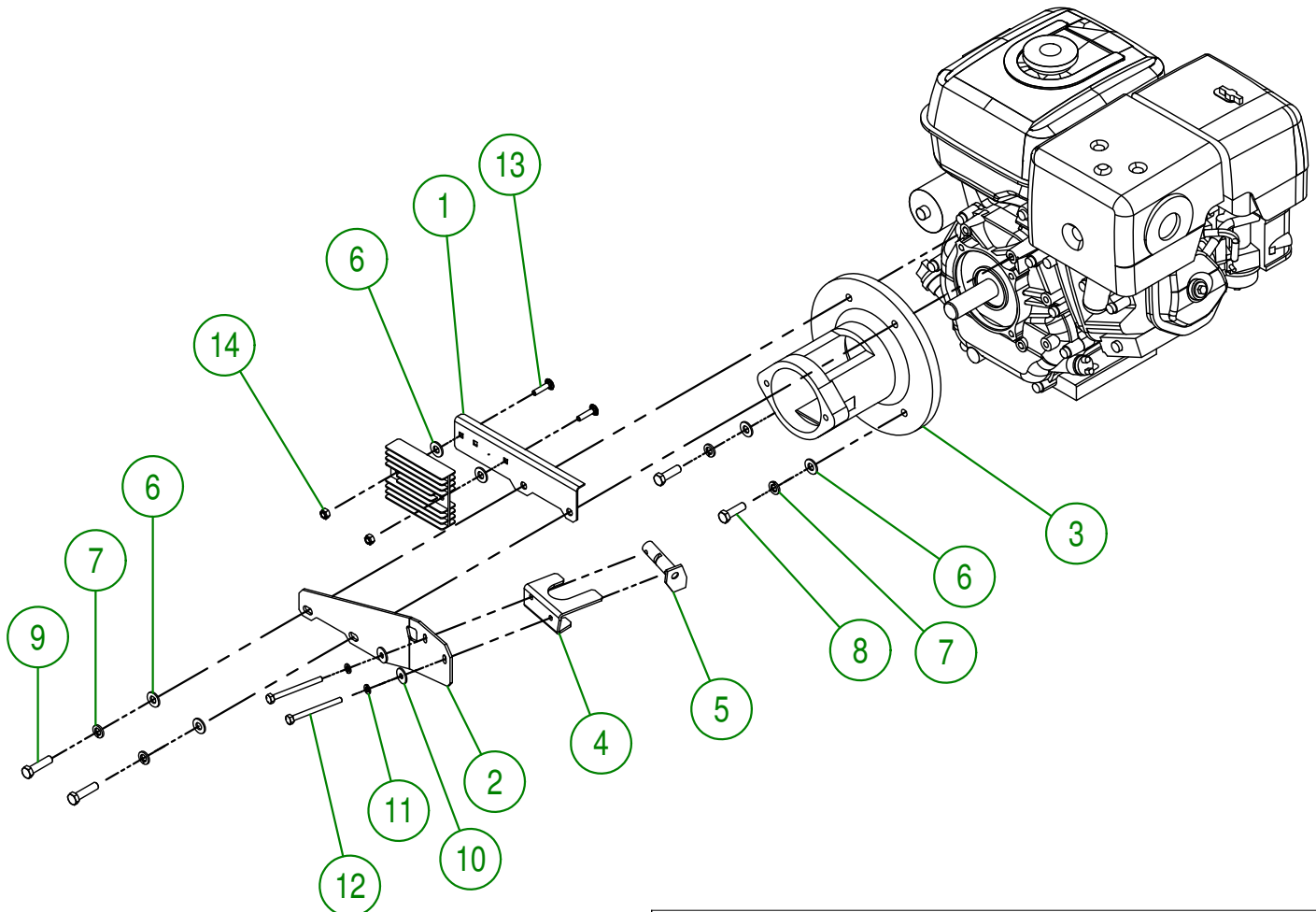


#	PART #	Qty	TITLE
1	26-03-4800	4	WASHER
2	NC13-15-0068	2	GREEN RUBBER BASE MOUNT
3	NC13-15-0059	2	YELLOW RUBBER BASE MOUNT
4	01-33-0010	8	WASHER
5	NC01-17-0123	4	HEX. BOLT GR2 ZINC 3/8-16
6	01-01-2485	4	FLAT WASHER 14 GA X 13/16"OD X 25/64" ID
7	NC02-32-0012	4	LOCK WASHER ZINC 3/8"
8	NC02-07-0018	4	HEX. NUT ZINC 3/8-16
9	NC14-05-0029	1	COUPLING (LOVEJOY) CXL100 X 1" ID
10	NC14-05-0030	1	COUPLING (LOVEJOY) RUBBER NI00
11	39-46-3500	1	HYDROSTATIC COUPLING HUB



<b>AGRIMETAL</b>	
<b>MOTOR GROUP</b>	
CREATION : 09/06/17	ASSEMBLY : <b>39-57-0115</b>
REVISION : 30/08/19	AUTHOR : <span style="float: right;">Page 24 de 29</span>

#	PART #	Qty	TITLE
1	39-01-2405	1	VOLTAGE REGULATOR HOLDER
2	39-01-1090	1	MUFFLER SUPPORT
3	39-50-0120	1	FUEL ENGINE ADAPTER FOR HYDROSTATIC PUMP
4	39-01-1080	1	MUFFLER SUPPORT
5	39-50-0085	1	MUFFLER SUPPORT
6	01-01-2485	6	FLAT WASHER 14 GA X 13/16"OD X 25/64" ID
7	NC02-32-0012	4	LOCK WASHER ZINC 3/8"
8	NC01-17-0115	2	HEX. BOLT GR2 ZINC 3/8-16 X 1 1/4"
9	NC01-17-0116	2	HEX. BOLT GR2 ZINC 3/8-16 X 1 1/2"
10	36-01-2430	2	WASHER
11	NC02-32-0010	2	LOCK WASHER ZINC 1/4"
12	NC01-37-0014	2	HEX. BOLT GR8 ZINC 1/4-28 X 3"
13	NC01-04-0005	2	CARR. BOLT GR2 ZINC 1/4-20 X 1"
14	NC01-96-0009	2	NYLON-INSERT LOCKNUT ZINC 1/4-20

**AGRIMETAL****HONDA MOTOR WITH STARTER**

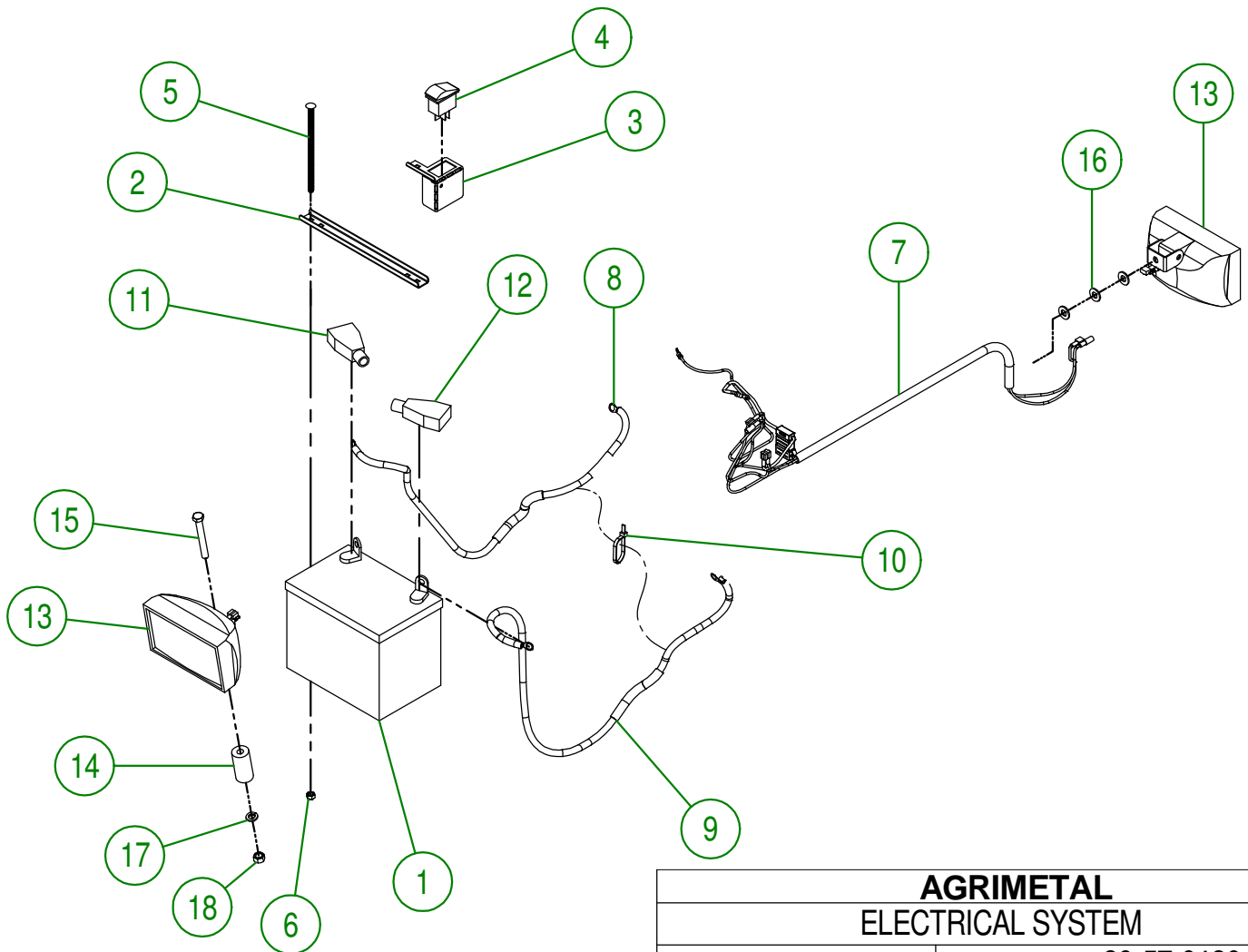
CREATION : 08/06/17  
 REVISION : 30/08/19

ASSEMBLY : **39-55-0030**

AUTHOR : Dessin2

Page 25 de 29

#	PART #	Qty	TITLE
1	NCI3-12-0001	1	12 VOLTS BATTERY
2	33-01-3015	1	BATTERY STRAPE
3	39-01-3050	1	LIGHT SWITCH HOLDER
4	NCI3-25-0368	1	LIGHT SWITCH
5	NC01-04-0027	2	CARR. BOLT 1/4-20 X 6" LG
6	NC01-96-0009	2	NYLON-INSERT LOCKNUT ZINC 1/4-20
7	39-57-0015	1	COMPLETE ELECTRIC WIRE SET
8	39-55-0105	1	NEGATIVE BATTERY CABLE
9	39-55-0100	1	POSITIVE BATTERY CABLE
10	NCI3-25-0019	1	NYLON CABLE TIE
11	NCI3-80-0268	1	BLACK PROTECTOR FOR BATTERY POST
12	NCI3-80-0267	1	RED PROTECTOR FOR BATTERY POST
13	39-55-0120	2	55W RECTANGULAR CLEAR LIGHT
14	39-21-0065	1	RIGHT LIGHT HOLDER
15	NC01-17-0122	1	HEX. BOLT GR2 ZINC 3/8-16 X 3"
16	01-01-2485	3	FLAT WASHER
17	NC02-32-0012	1	LOCK WASHER ZINC 3/8"
18	NC02-07-0018	1	HEX. NUT ZINC 3/8-16



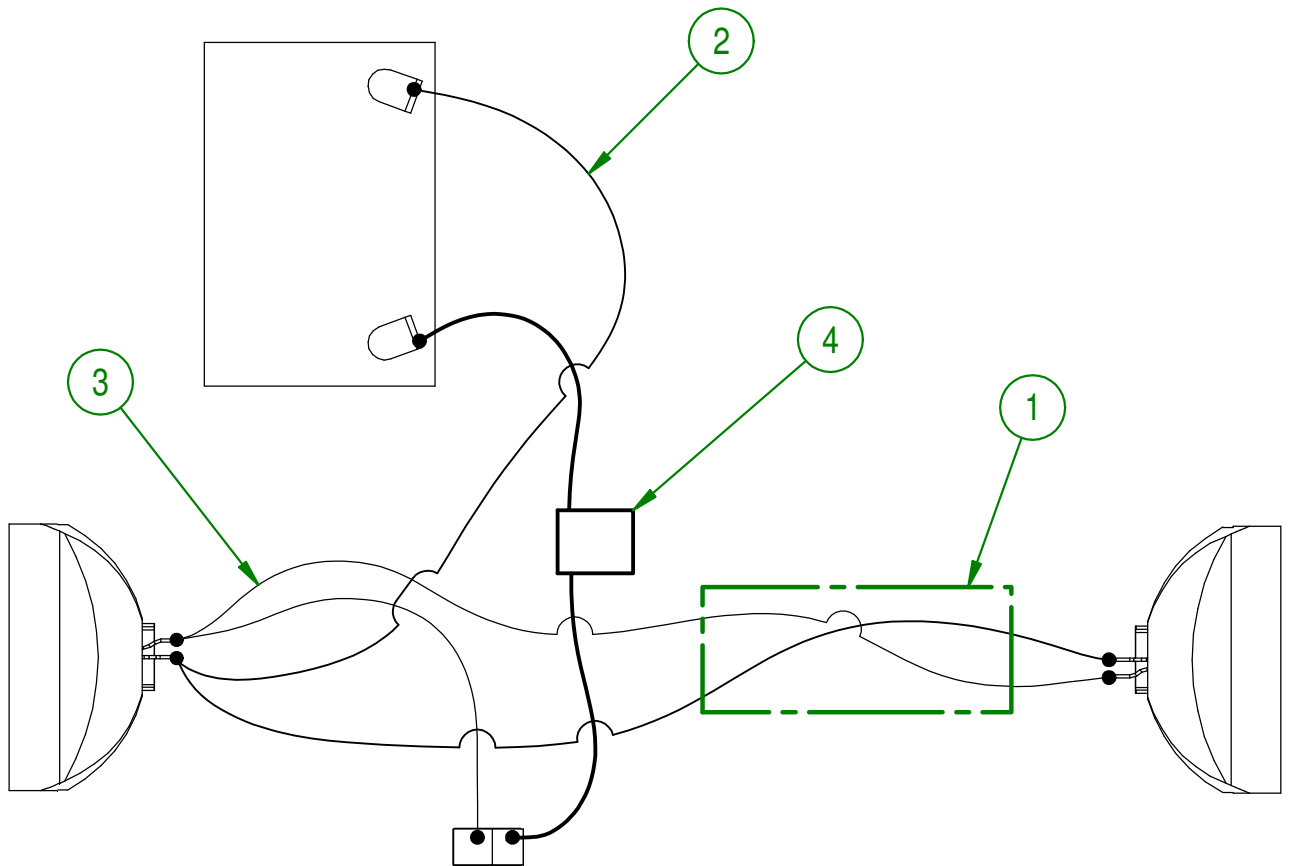
**AGRIMETAL**  
ELECTRICAL SYSTEM

CREATION : 09/06/17  
REVISION : 02/05/18

ASSEMBLY : **39-57-0120**

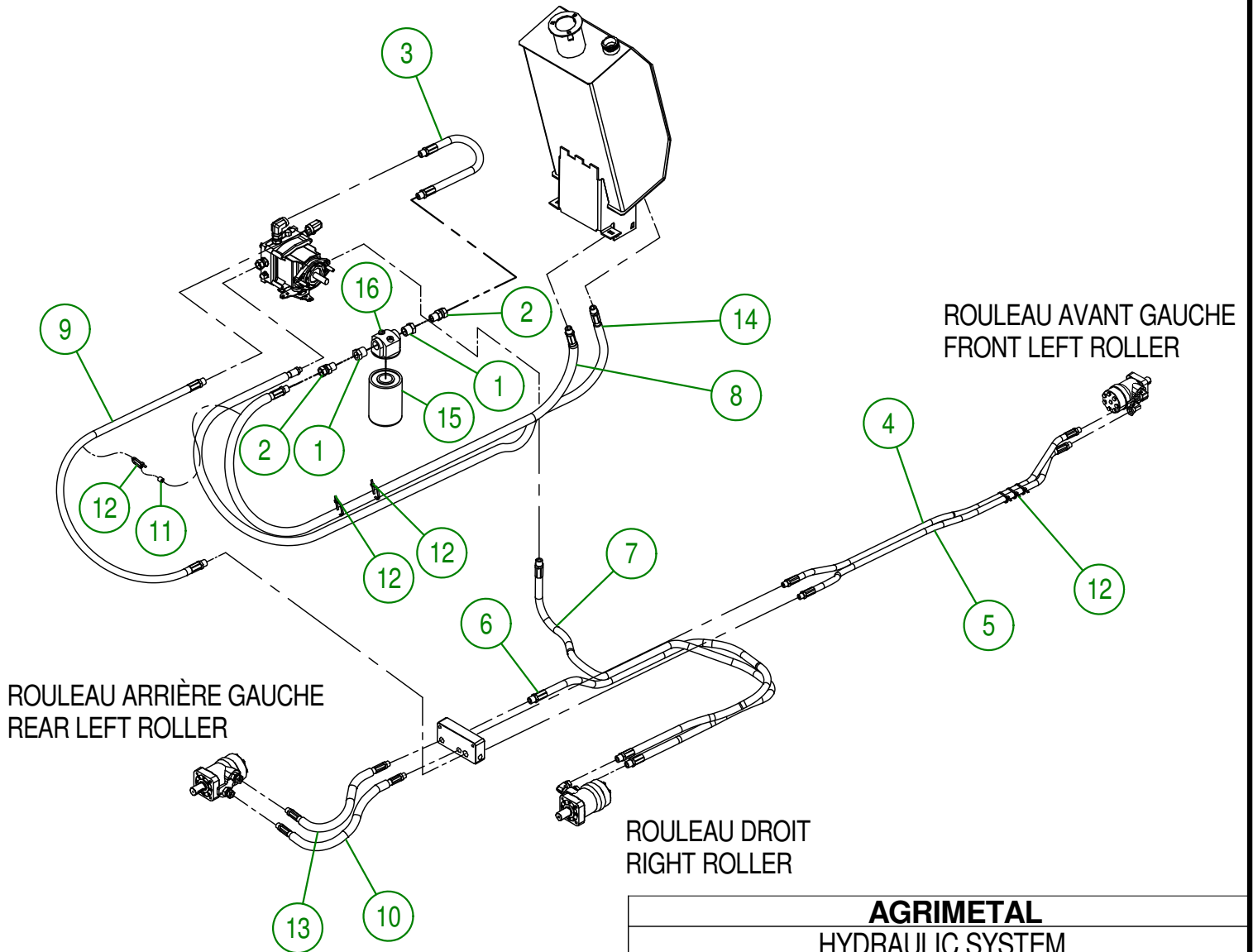
AUTHOR : Dessin1 Page 26 de 29

#	PART #	Qty	TITLE
1	NCI3-40-0030	1	URETHANE HOSE
2	39-57-0030	1	BROWN WIRE COMBINATION
3	39-57-0025	1	WHITE WIRE COMBINATION
4	39-57-0020	1	FUSE COMPARTMENT



<b>AGRIMETAL</b>	
<b>COMPLETE ELECTRIC WIRE SET</b>	
CREATION : 08/06/17	ASSEMBLY : <b>39-57-0015</b>
REVISION : 04/05/18	AUTHOR : J.HOULE   Page 27 de 29

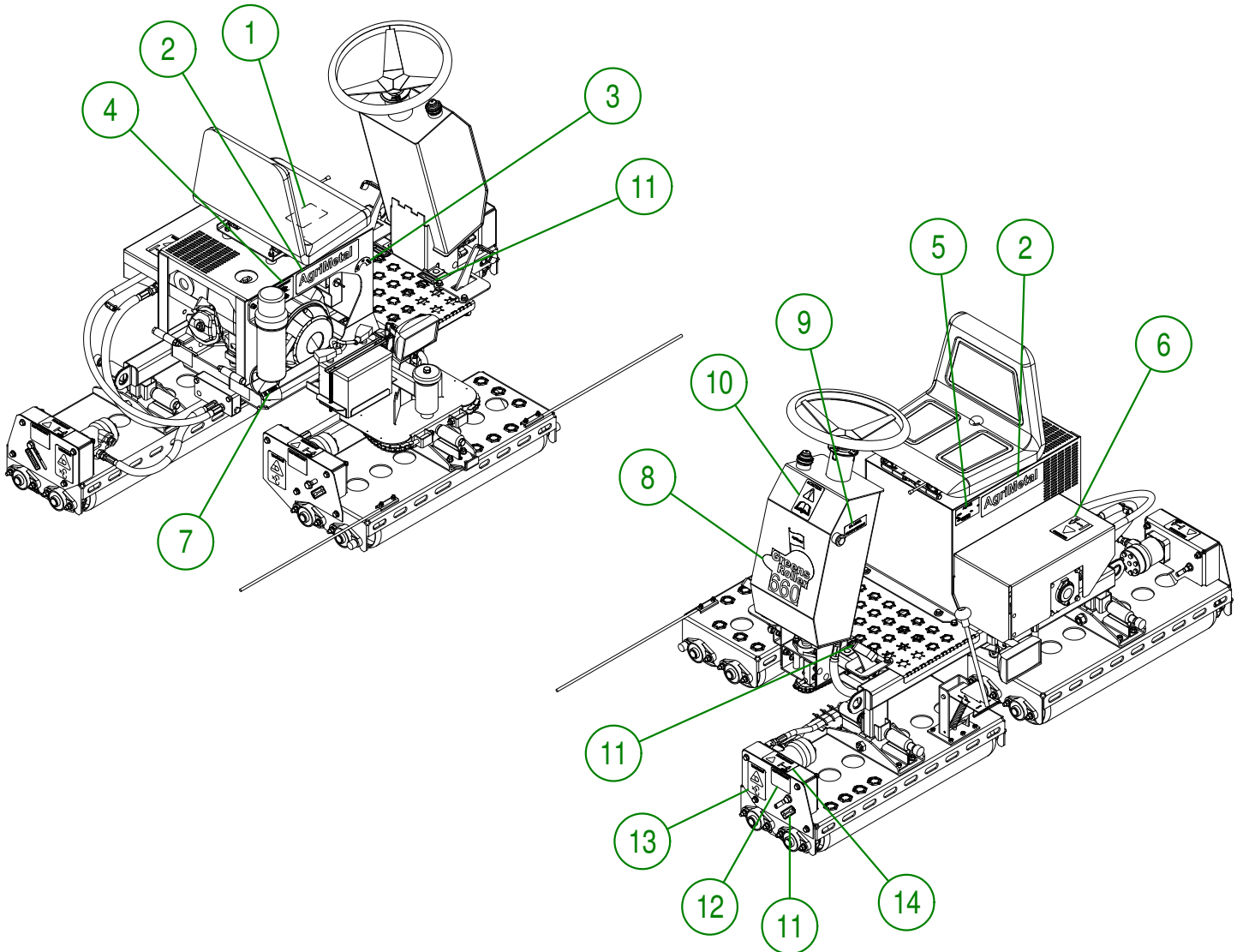
#	PART #	QTY	TITLE
1	NC13-45-0032	2	STRAIGHT HOSE FITTING 1/2 FEM. NPT X 3/4 MALE NPT
2	NC13-45-0091	2	STRAIGHT HOSE FITTING 1/2 MALE NPTF X 1/2 FEM. SWIVEL
3	NC17-02-0313	1	HYDRAULIC HOSE 19"
4	NC17-02-0312	1	HYDRAULIC HOSE 48 1/2"
5	NC17-02-0312	1	HYDRAULIC HOSE 48 1/2"
6	NC17-02-0315	1	HYDRAULIC HOSE 60"
7	NC17-02-0316	1	HYDRAULIC HOSE 66"
8	NC17-02-0317	1	HYDRAULIC HOSE 64"
9	NC17-02-0314	1	HYDRAULIC HOSE 44"
10	NC17-02-0311	1	HYDRAULIC HOSE 17"
11	NC13-40-0025	1	BLACK GASOLINE HOSE
12	NC13-25-0019	6	NYLON CABLE TIE
13	NC17-02-0408	1	HYDRAULIC HOSE 14"
14	NC17-02-0318	1	HYDRAULIC HOSE 75"
15	NC13-45-0048	1	OIL FILTER
16	NC13-45-0049	1	HEAD FILTER



<b>AGRIMETAL</b>	
<b>HYDRAULIC SYSTEM</b>	
CREATION : 09/06/17	ASSEMBLY : <b>39-57-0090</b>
REVISION : 18/01/19	AUTHOR : Dessin2    Page 28 de 29

STICKER

#	PART #	QTY	TITLE
1	NCI3-33-0185	1	STICKER PICTOGRAM (FIRE + CIGARETTE)
2	NCI3-33-0035	2	STICKER AGRIMETAL
3	NCI3-33-0095	1	STICKER OFF ON START
4	NCI3-33-0151	1	STICKER (IMPORTANT TO PREVENT ENGINE FAILURE...)
5	NCI3-50-0086	1	SERIAL NUMBER PLATE
6	NCI3-33-0257	1	STICKER HIGH PRESSURE LIQUID PICTOGRAM
7	NCI3-33-0325	1	STICKER OIL FUNNEL
8	NCI3-33-0232	1	STICKER AGRIMETAL GREENS ROLLER 660
9	NCI3-33-0003	1	STICKER OIL LEVEL
10	NCI3-33-0183	1	STICKER CAUTION OPERATION MANUAL
11	NCI3-33-0124	5	STICKER STEERING ARROW
12	NCI3-33-0295	3	STICKER IMPORTANT MUST LIFT ROLLERS...
13	NCI3-33-0283	3	STICKER DANGER (PERSON AND CHAIN DRIVE)
14	NCI3-33-0288	3	STICKER WARNING HIGH-PRESSURE LIQUID



**AGRIMETAL**  
GREEN ROLLER GR-660

CREATION : 09/06/17  
REVISION : 28/02/19

ASSEMBLY : **39-99-0005**

AUTHOR : Dessin2 Page 29 de 29