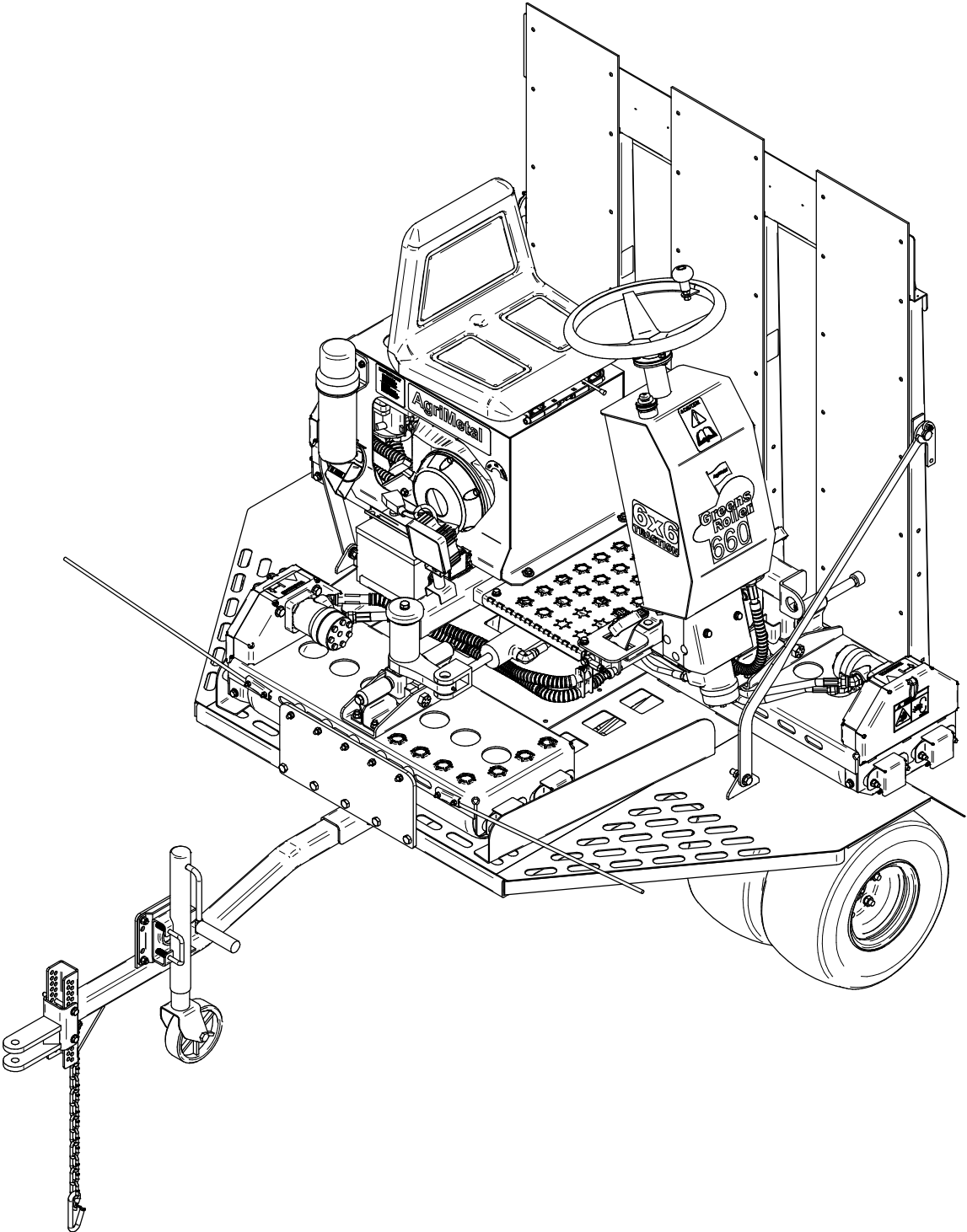


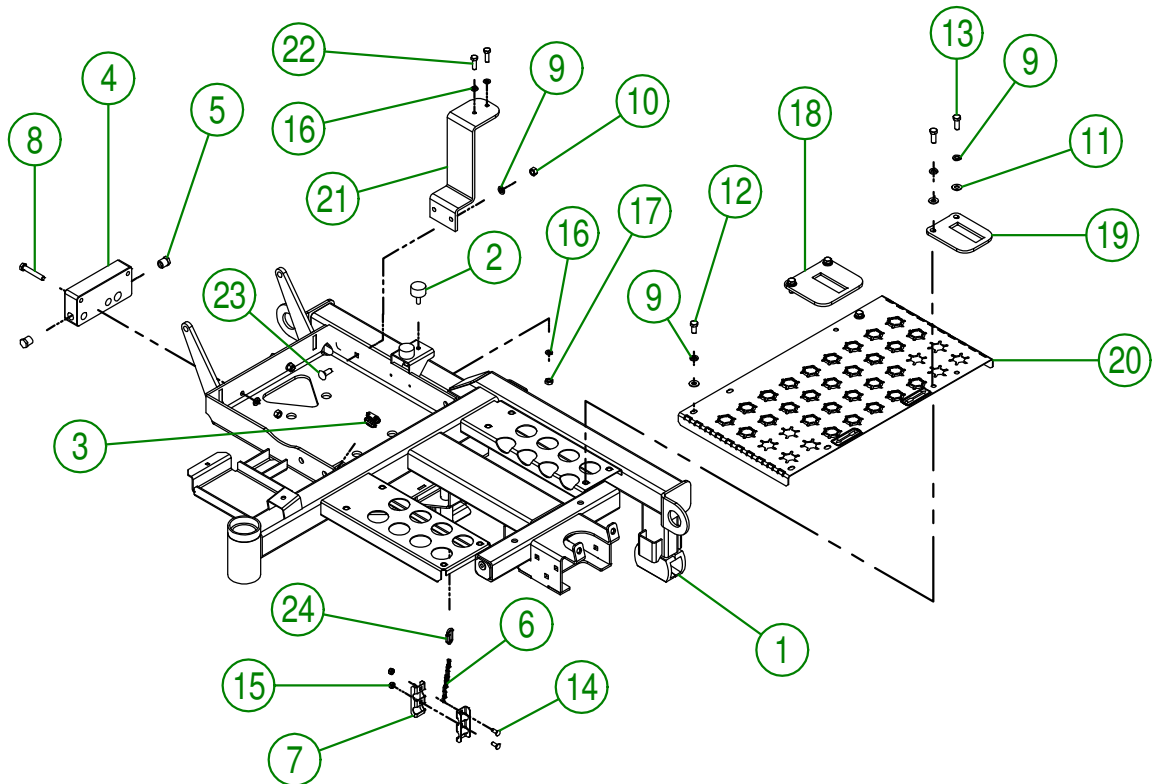
AgriMetal

PARTS LIST



GR 660-D (4 WHEELS)

#	PART #	Qty	TITLE
1	39-50-0001	1	FRAME
2	NC13-15-0034	2	RUBBER ABSORBER
3	NC13-25-0378	2	WHITE METAL CONNECTOR
4	39-21-0200	1	HYDRAULIC DISPENSING BLOCK
5	NC13-45-0221	2	HEXAGONAL PLUG
6	NC13-80-0078	1	#3 BLOCKED LINK CHAIN
7	39-01-3060	2	HYDRAULIC HOSE SUPPORT
8	NC01-17-0119	2	HEX. BOLT GR2 ZINC 3/8-16 X 2 1/4"
9	NC02-32-0012	10	LOCK WASHER ZINC 3/8"
10	NC02-07-0018	4	HEX. NUT ZINC 3/8-16
11	01-01-2485	6	FLAT WASHER 14 GA X 13/16"OD X 25/64" ID
12	NC01-17-0112	2	HEX. BOLT GR2 ZINC 3/8-16 X 3/4"
13	NC01-17-0114	4	HEX. BOLT GR2 ZINC 3/8-16 X 1"
14	NC01-04-0002	2	CARR. BOLT GR2 ZINC 1/4-20 X 5/8"
15	NC01-96-0009	2	NYLON-INSERT LOCKNUT ZINC 1/4-20
16	NC02-32-0011	4	LOCK WASHER ZINC 5/16"
17	NC02-07-0017	2	HEX. NUT 5/16-18
18	39-04-0186	1	STOPPER PLATE FOR PEDAL (RIGHT)
19	39-04-0188	1	STOPPER PLATE FOR PEDAL (LEFT)
20	39-57-0125	1	FOOTBOARD "STICKER INCLUDED"
21	39-50-0020	1	OIL FILTER HOLDER
22	NC01-17-0060	2	HEX. BOLT GR2 ZINC 5/16-18 X 1"
23	NC01-04-0109	2	CARR. BOLT GR2 ZINC 3/8-16 X 1"
24	NC01-75-0011	1	QUICK LINK 1/8 DIA.



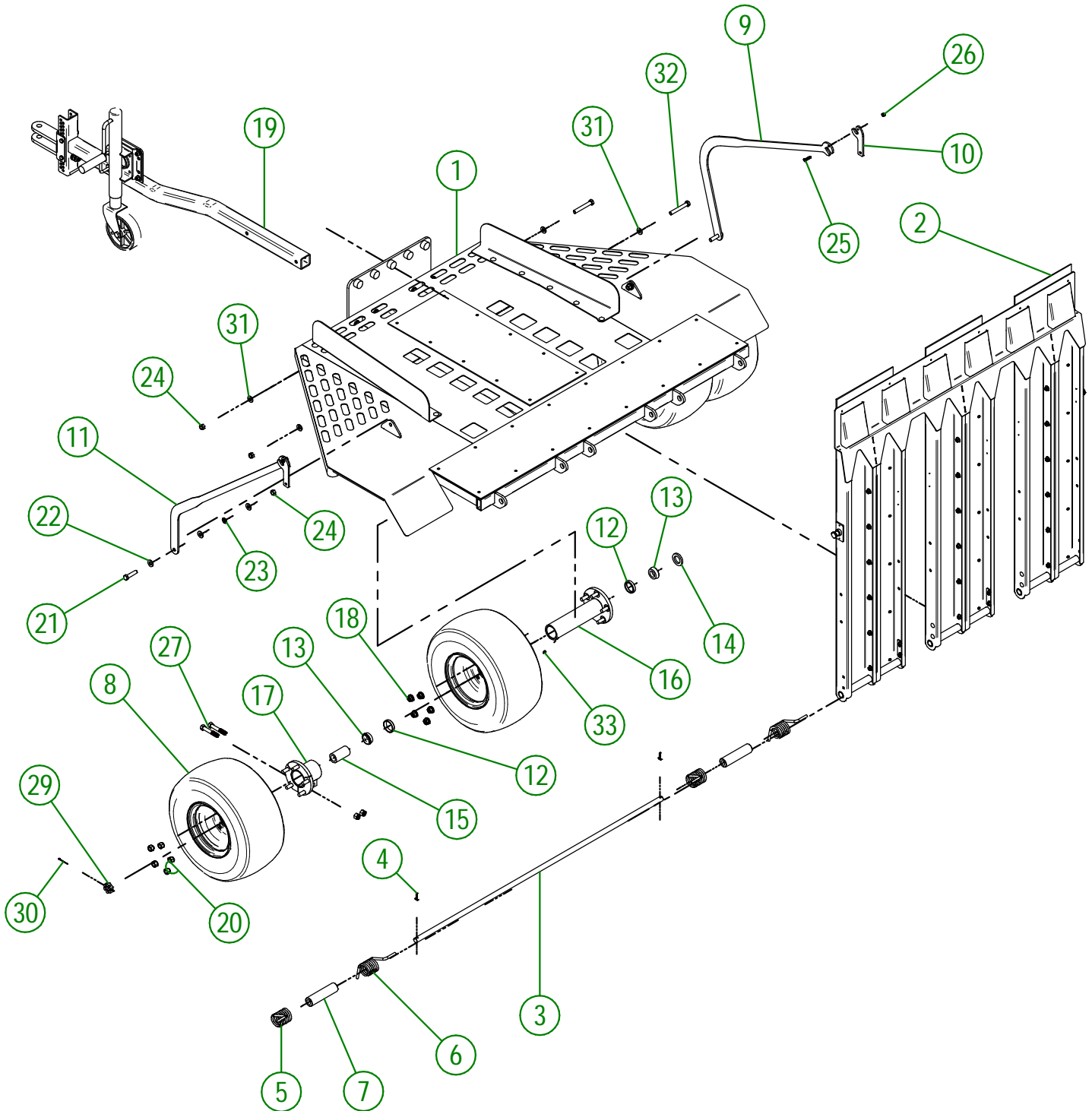
AGRIMETAL
FRAME GROUP

CREATION : 12/02/20
REVISION : 08/05/20

ASSEMBLY : **39-57-0001**

AUTHOR : D. Bevins

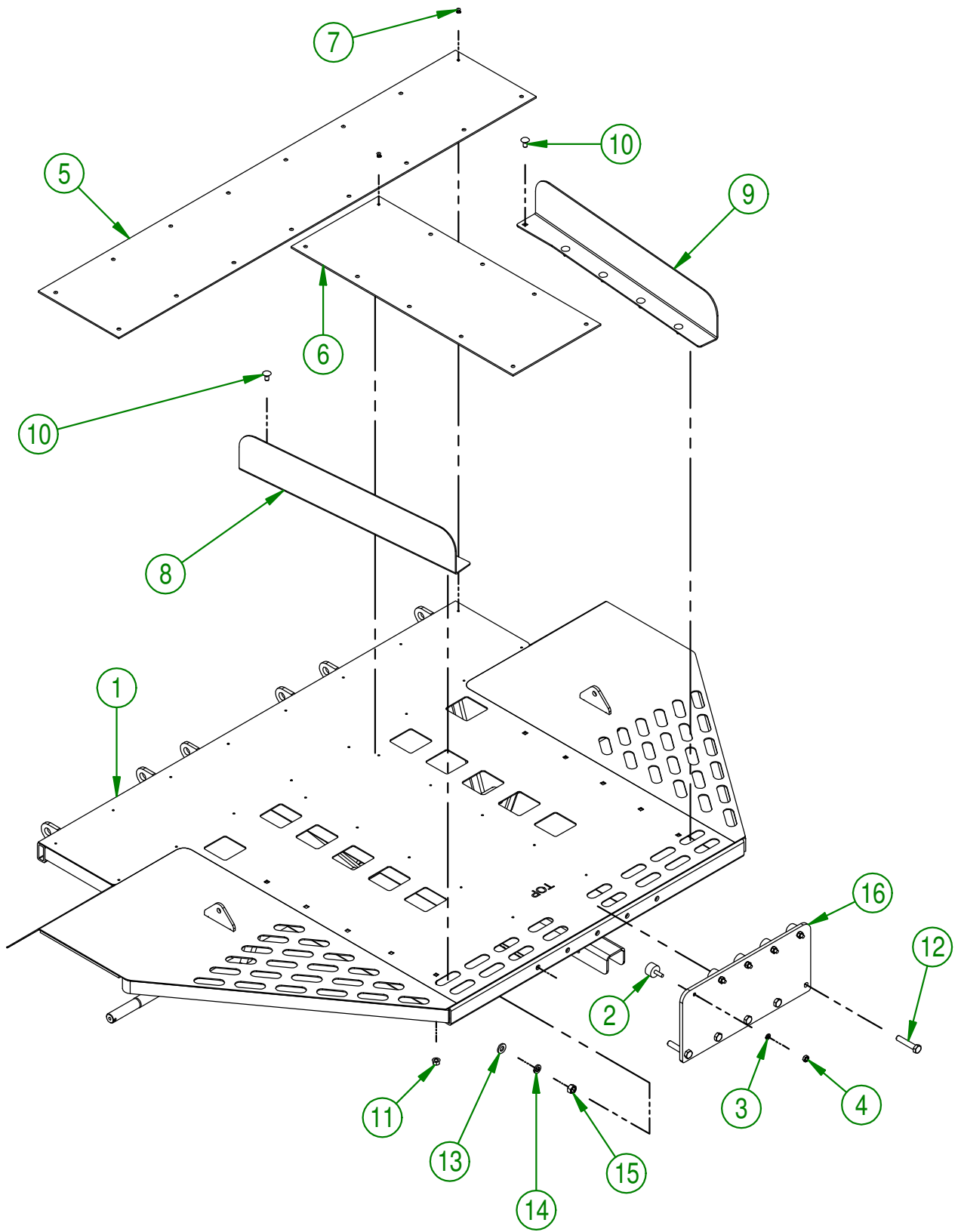
Page 1 de 31



AGRIMETAL	
TRAILER (4 WHEELS) & PALLET OF TRANSPORT	
CREATION : 12/02/20	ASSEMBLY : 39-55-0303
REVISION : 12/07/22	AUTHOR : D. Bevins

39-55-0303

#	PART #	Qty	TITLE
1	39-57-0300	1	TRAILER (4 WHEELS)
2	39-55-0306	1	RAMP
3	39-13-1010	1	PIVOT RAMP
4	NC01-69-0159	2	COTTER PIN ZINC 3/16 X 1 1/2"
5	NC13-85-0054	2	TRAILER RAMP SPRING
6	NC13-85-0053	2	TRAILER RAMP SPRING
7	39-42-0120	2	SPRING BUSHING
8	NC14-70-0641	4	TRAILER WHEEL
9	39-04-0355	1	RAMP LOCK (RIGHT)
10	39-04-0360	2	DOOR LOCK
11	39-04-0357	1	RAMP LOCK (LEFT)
12	NC14-70-0090	4	EXTERIOR BEARING CAGE
13	NC14-70-0093	4	EXTERIOR BEARING
14	NC14-70-0324	2	GASKET 1.219" X 1.980"
15	39-13-0016	2	WHEEL AXLE RING
16	39-55-0185	2	WHEEL HUB
17	39-55-0180	2	WHEEL HUB
18	NC02-14-2506	10	1/2-20 FLANGE LOCKNUT
19	39-55-0313	1	PRE-ASSEM. TONGUE
20	NC02-12-0005	10	HEX. NUT ZINC 1/2-20
21	NC01-17-0251	2	HEX. BOLT GR2 ZINC 1/2-13 X 2"
22	NC02-25-0011	6	WASHER SAE ZINC 17/32 ID
23	NC02-32-0014	2	LOCK WASHER ZINC 1/2"
24	NC01-96-0014	4	NYLON-INSERT LOCKNUT ZINC 1/2-13
25	NC01-29-0006	2	HEX. BOLT GR5 NF ZINC 1/4-28 X 1 1/2"
26	NC01-97-0004	2	NYLON-INSERT LOCKNUT ZINC 1/4-28
27	NC01-29-0255	4	HEX. BOLT GR2 ZINC 1/2-13 X 3"
28	NC01-97-0008	4	HEX. LOCK NUT NYLO. NF Z 1/2-20
29	NC14-70-0310	2	SLOTTED NUT 1-14
30	NC14-70-0311	2	COTTER PIN ZINC 5/32" X 2"
31	01-01-0925	4	WASHER
32	NC01-17-0257	2	HEX. BOLT GR2 ZINC 1/2-13 X 3 1/2"
33	NC01-69-0785	2	STRAIGHT GREASE FITTING 1/4-28

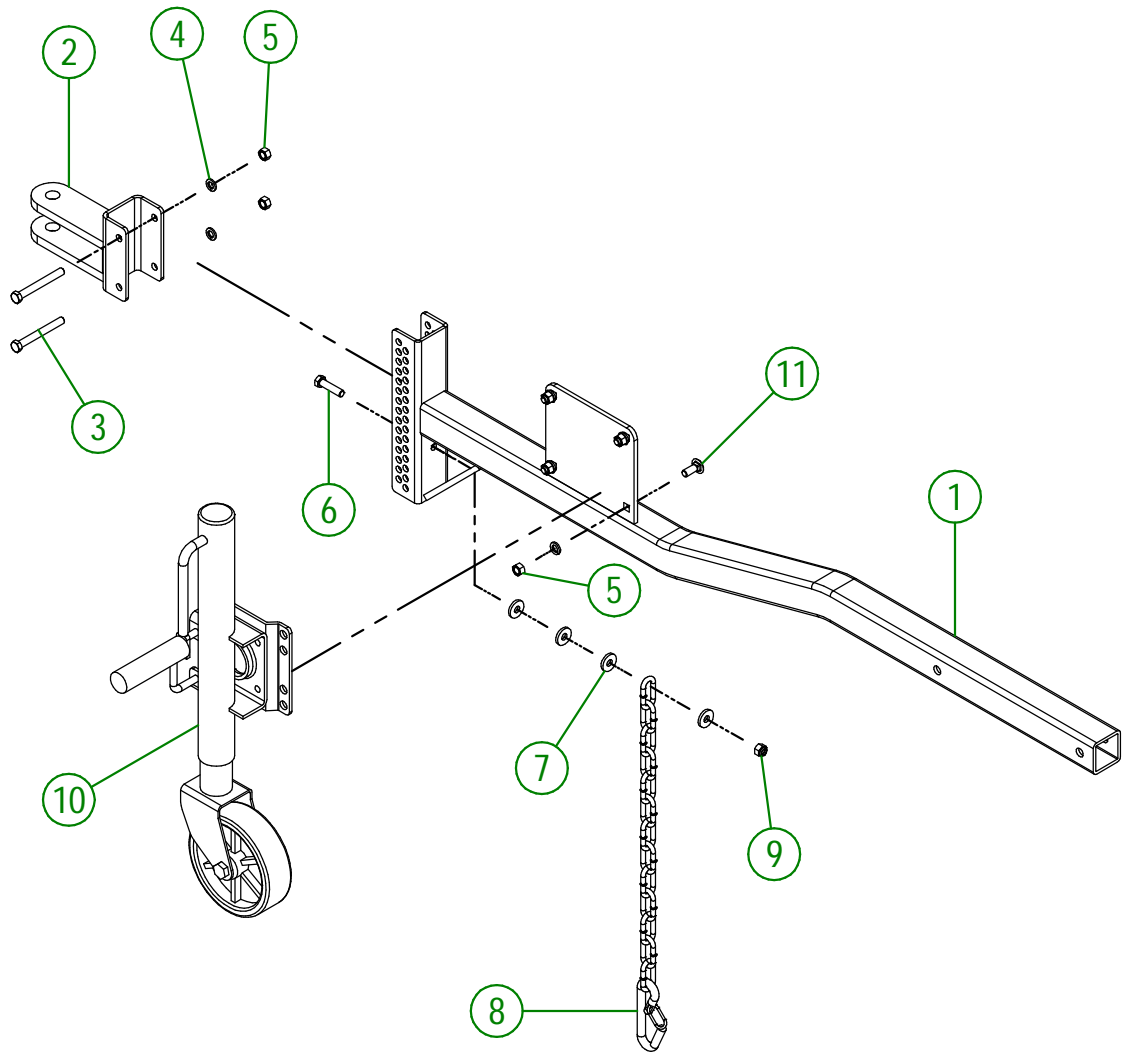


AGRIMETAL	
TRAILER (4 WHEELS)	
CREATION : 12/02/20	ASSEMBLY : 39-57-0300
REVISION : 08/05/20	AUTHOR : D. Bevins Page 4 de 31

39-57-0300

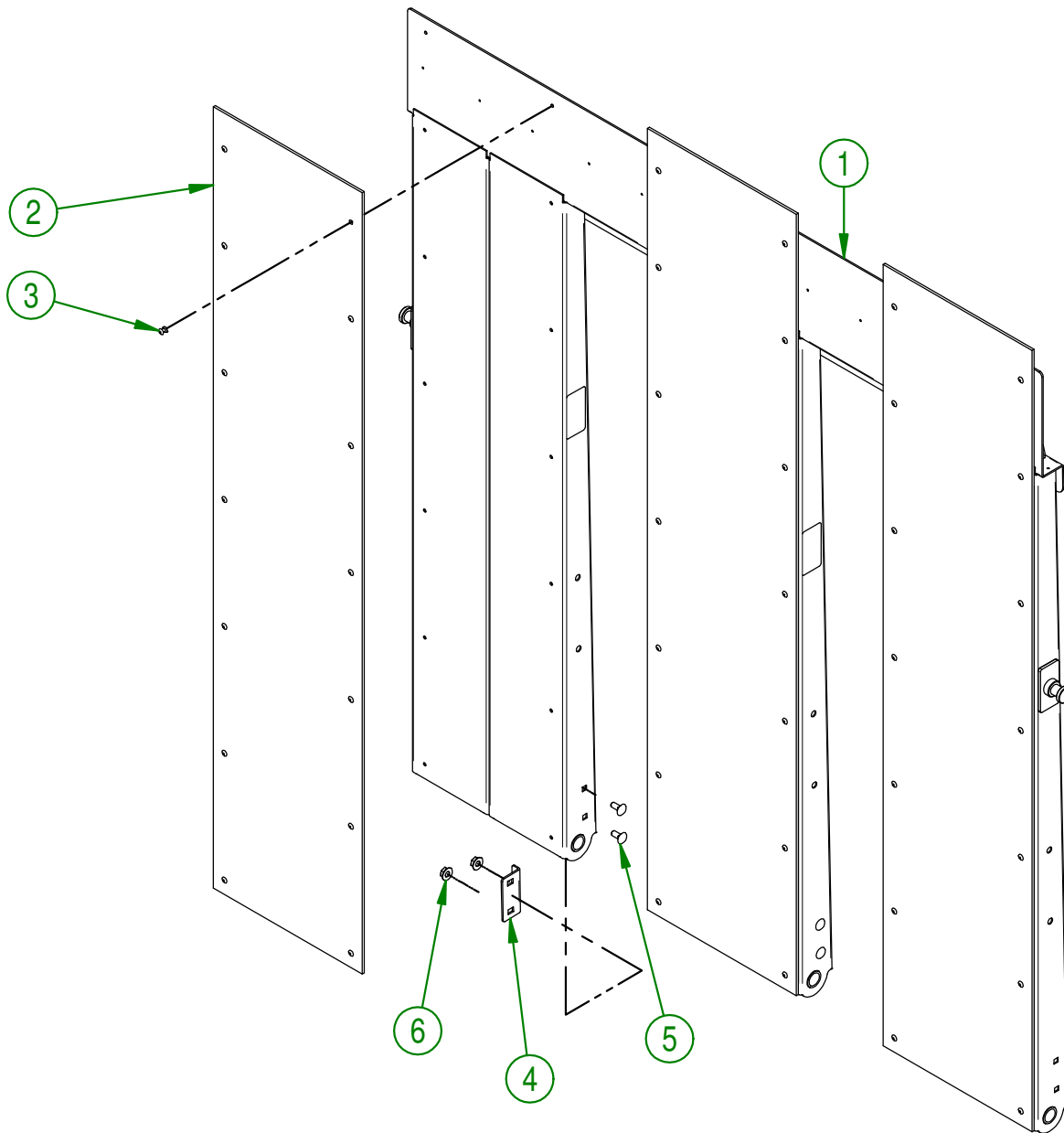
#	PART #	Qty	TITLE
1	39-50-0301	1	TRAILER (4 WHEELS)
2	NC13-15-0034	5	RUBBER ABSORBER
3	NC02-32-0011	5	LOCK WASHER ZINC 5/16"
4	NC02-07-0017	5	HEX. NUT 5/16-18
5	39-42-0036	1	TRAILER RUBBER (BEHIND)
6	39-42-0041	1	TRAILER RUBBER (CENTER)
7	NC01-78-0300	28	RIVETS AC. AV. SUPR. TI. AC. .187 X .515 CAP. RIVET .270
8	39-01-1017	1	POSITIONING GUIDE (RIGHT)
9	39-01-1019	1	POSITIONING GUIDE (LEFT)
10	NC01-04-0107	10	CARR. BOLT GR2 ZINC 3/8-16 X 3/4"
11	NC02-14-0019	10	FLANGE NUT HEX. NC 3/8-16 GR. B
12	NC01-17-0253	5	HEX. BOLT GR2 ZINC 1/2-13 X 2 1/2"
13	01-01-0925	5	WASHER
14	NC02-32-0014	5	LOCK WASHER ZINC 1/2"
15	NC02-07-0020	5	HEX. NUT ZINC 1/2-13
16	39-04-0450	1	TRAILER RUBBER SUPPORT

#	PART #	Qty	TITLE
1	39-50-0326	1	TRAILER TONGUE
2	33-50-0055	1	WELD ASSEMBLY HAND
3	NC01-17-0123	2	HEX. BOLT GR2 ZINC 3/8-16
4	NC02-32-0012	6	LOCK WASHER ZINC 3/8"
5	NC02-07-0018	6	HEX. NUT ZINC 3/8-16
6	NC01-17-0116	1	HEX. BOLT GR2 ZINC 3/8-16 X 1 1/2"
7	21-01-0950	4	FLAT WASHER IOGA 1.005" DIA X 25/64"
8	55-41-0000	1	SAFETY CHAIN
9	NC01-96-0011	1	NYLON NUT 3/8-16
10	39-55-0330	1	ADJUSTABLE WHEEL CRUTCH
11	NC01-04-0109	4	CARR. BOLT GR2 ZINC 3/8-16 X 1"



AGRIMETAL	
PRE-ASSEM. TONGUE	
CREATION : 12/02/20	ASSEMBLY : 39-55-0313
REVISION : 06/12/21	AUTHOR : D. Bevins

#	PART #	Qty	TITLE
1	39-50-0307	1	RAMP
2	39-42-0031	3	RAMP RUBBER
3	NC01-78-0300	42	RIVETS AC. AV. SUPR. TI. AC. .187 X .515 CAP. RIVET .270
4	39-01-0170	4	TRAILER RAMP REINFORCEMENT
5	NC01-04-0056	8	CARR. BOLT 5/16-18 X3/4"
6	NC02-14-0006	8	HEX. NUT SPECIAL FLANGET NC 5/16-18 B GRADE



AGRIMETAL
RAMP

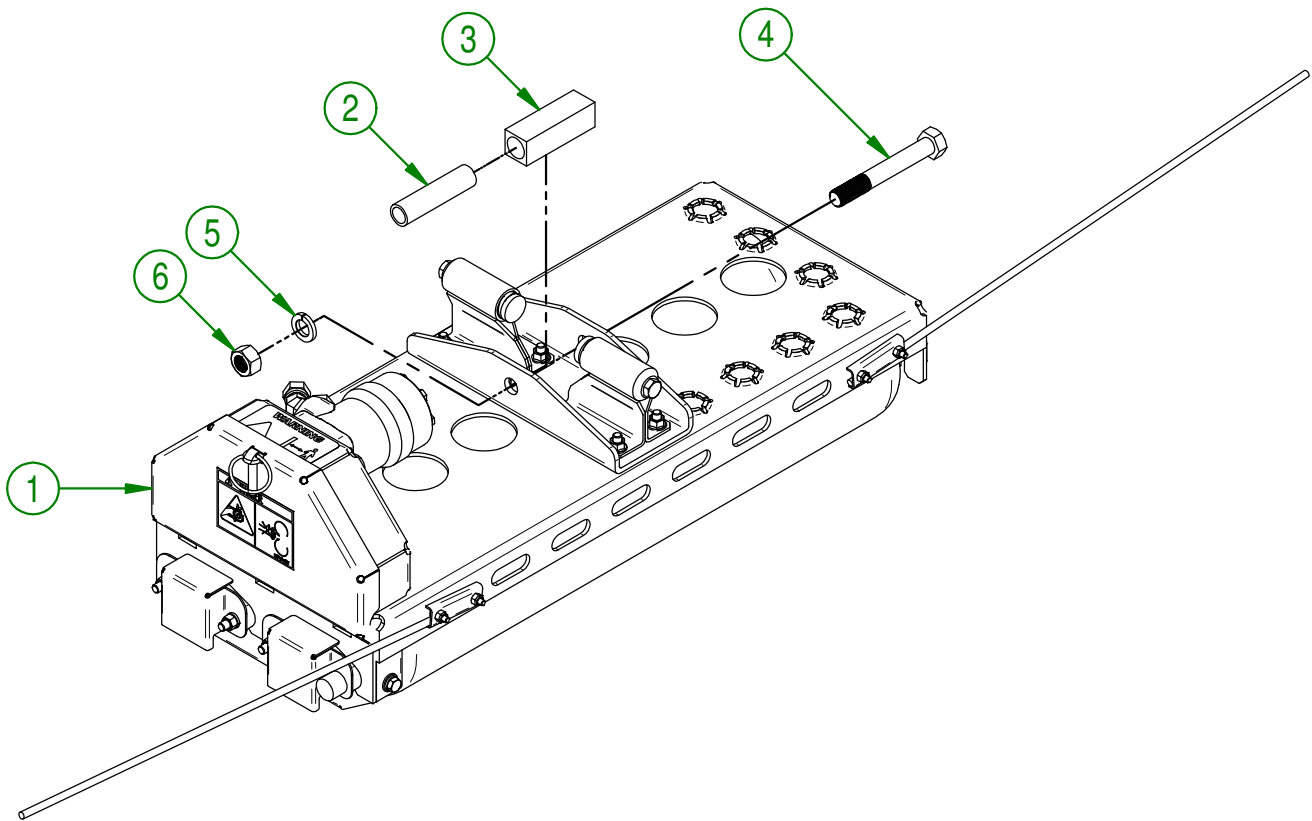
CREATION : 13/02/20
REVISION : 07/05/20

ASSEMBLY : **39-55-0306**

AUTHOR : D. Bevins

Page 7 de 31

#	PART #	Qty	TITLE
1	39-55-0008	1	RIGHT ROLLER
2	39-09-1205	1	BUSHING
3	39-42-0700	1	PIVOTING BLOCK
4	NC01-37-0480	1	HEX. BOLT GR8 ZINC 3/4-16 X 5 1/2"
5	NC02-32-0017	1	LOCK WASHER ZINC 3/4"
6	NC02-11-0023	1	NUT 3/4-16



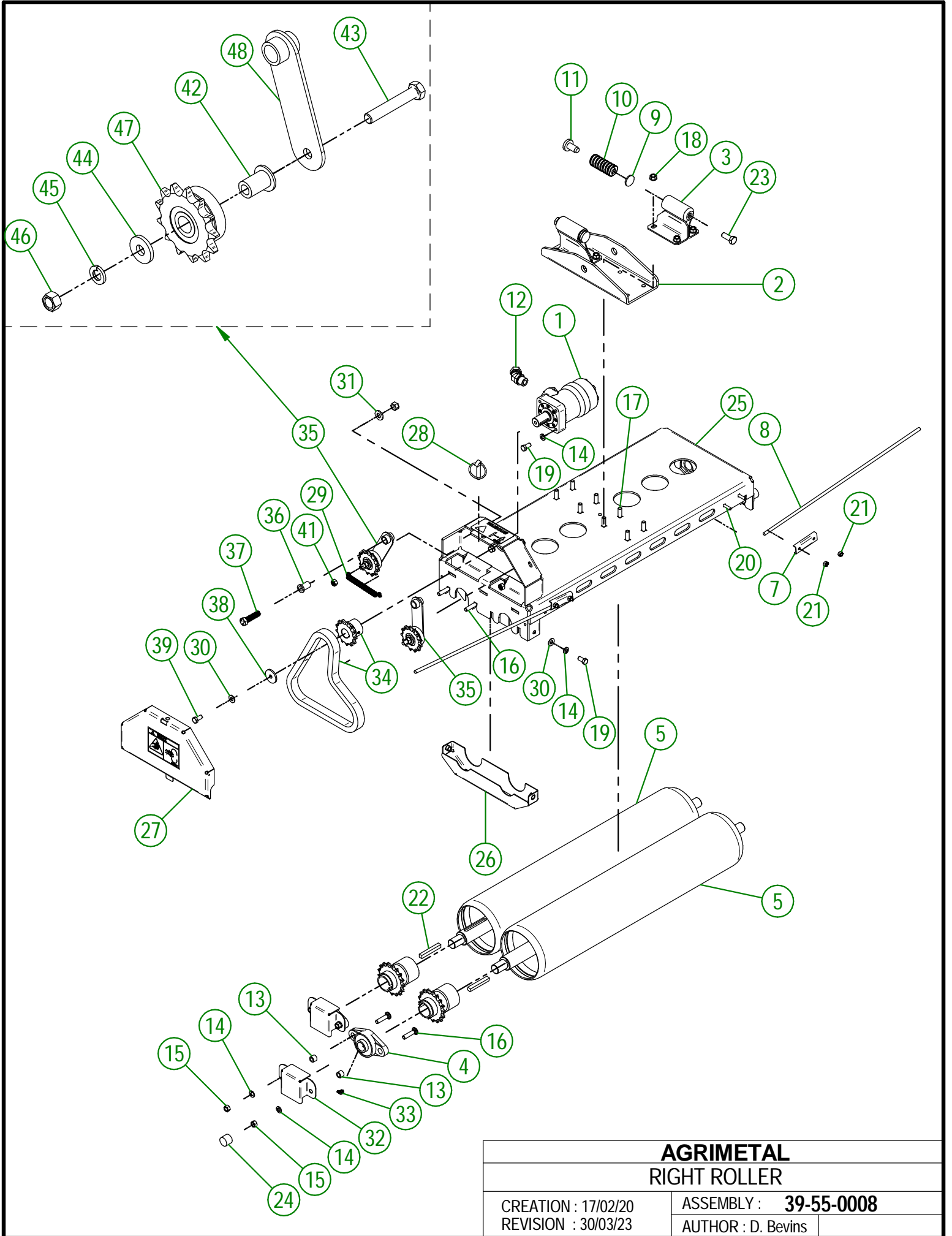
AGRIMETAL
RIGHT ROLLER GROUP

CREATION : 13/02/20
 REVISION : 08/05/20

ASSEMBLY : **39-57-0102**

AUTHOR : D. Bevins

Page 8 de 31



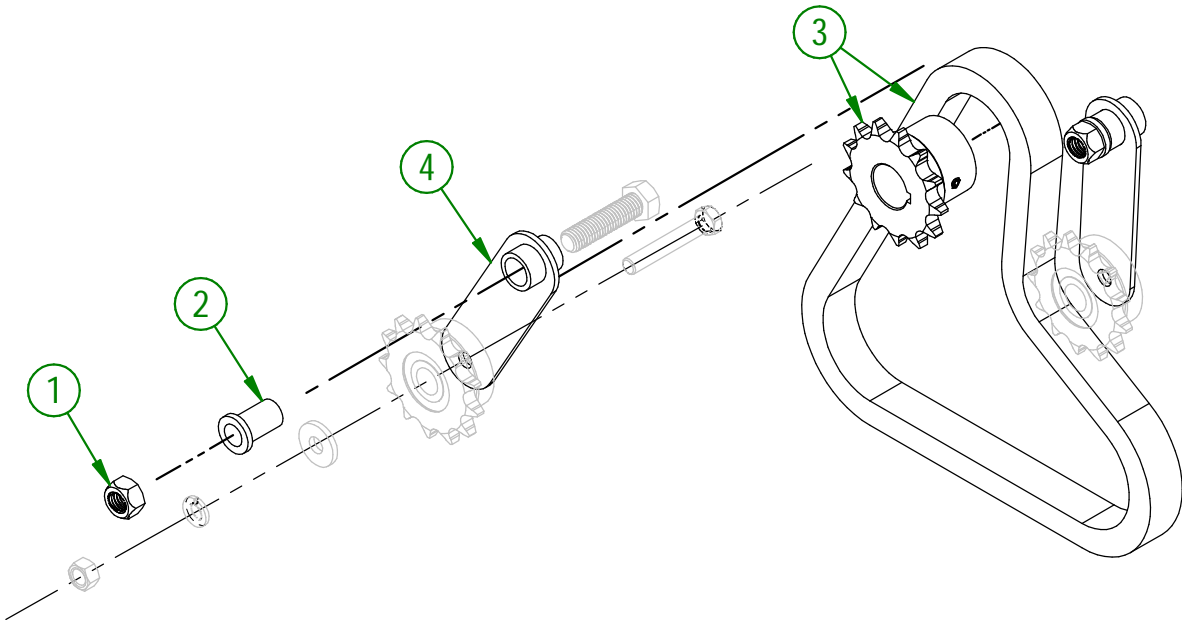
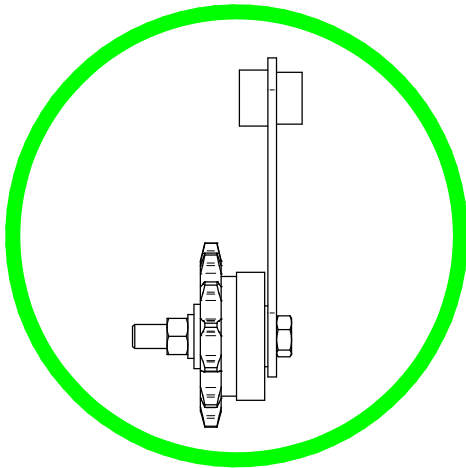
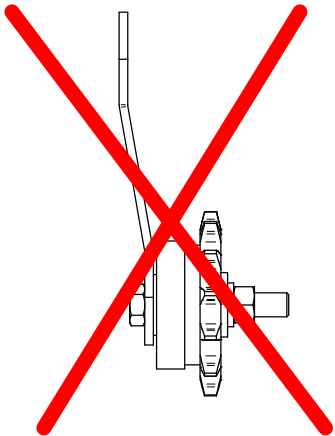
AGRIMETAL
RIGHT ROLLER

CREATION : 17/02/20
REVISION : 30/03/23

ASSEMBLY : **39-55-0008**
AUTHOR : D. Bevins

IMPORTANT

IF YOUR CHAIN TENSIONER ARMS HAVE BENDS LIKE THE PICTURE, YOU HAVE TO ORDER THE REPLACEMENT KIT 39-57-0225



39-57-0225

#	PART #	Qty	TITLE
1	NC01-93-0014	2	LOCK NUT ZINC 1/2-13
2	39-13-0115	2	BUSHING
3	39-57-0225	1	CHAIN AND SPOCKET KIT
4	39-50-0155	2	CHAIN TENSIONNER PIVOT

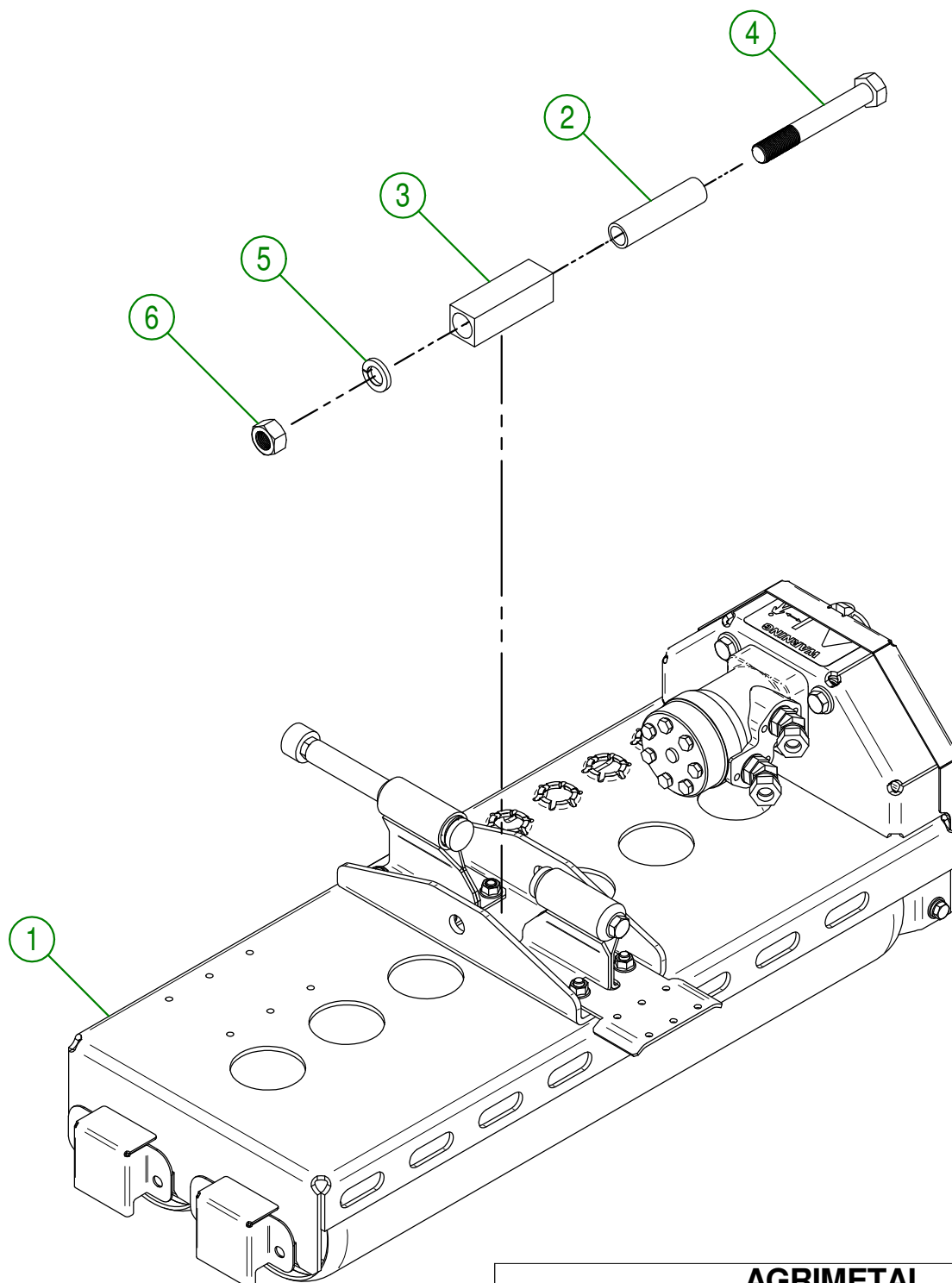
39-55-0008

#	PART #	Qty	TITLE
1	NC14-45-0041	1	100cc HYDRAULIC MOTOR
2	39-04-0225	1	ROLLER SUPPORT
3	39-50-0045	2	SPRING GUIDE
4	NC14-75-0019	4	FLANGE PILLOW BLOCK BEARING UCFL205-16 Ø 1"
5	39-50-0096	2	ROLLER (1 KW)
6*	39-50-0052	2	ROLLER SPROCKET
7	39-01-2440	2	GUIDE ROD CLAMP
8	39-42-0600	2	GUIDE ROD
9	39-01-1000	2	SPRING GUIDE WASHER
10	NC13-86-0159	2	RED SPRING 1 1/4"OD X 5/8"ID X 2" LG
11	39-42-0100	2	SPRING TIP
12	NC13-45-0046	2	45°-7/8-14 MALE O RING X 1/2 FEM.TOUR.NPT PT
13	32-09-0000	4	BUSHING BEARING
14	NC02-32-0012	14	LOCK WASHER ZINC 3/8"
15	NC02-07-0018	8	HEX. NUT ZINC 3/8-16
16	NC01-04-0111	8	CARR. BOLT GR2 ZINC 3/8-16 X 1 1/2"
17	NC01-04-0110	8	CARR. BOLT GR2 ZINC 3/8-16 X 1 1/4"
18	NC02-14-0019	8	FLANGE NUT HEX. NC 3/8-16 GR. B
19	NC01-17-0112	6	HEX. BOLT GR2 ZINC 3/8-16 X 3/4"
20	NC01-04-0005	4	CARR. BOLT GR2 ZINC 1/4-20 X 1"
21	NC01-96-0009	4	NYLON-INSERT LOCKNUT ZINC 1/4-20
22	48-41-0905	2	SQUARE KEY 3/8" X 2 3/4" LG
23	NC01-17-0248	2	HEX. BOLT GR2 ZINC 1/2-13 X 1 1/4"
24	39-42-0110	2	ROLLER NUT CAP
25	39-57-0157	1	ROLLER HOUSING (RIGHT)
26	39-50-0130	1	ROLLER CHAIN GUARD
27	39-57-0061	1	CHAIN GUARD
28	NC01-69-1100	1	LINCH PIN 3/8"
29	NC13-85-0058	1	CHAIN TENSIONER SPRING
30	01-01-2485	3	FLAT WASHER 14 GA X 13/16"OD X 25/64" ID
31	NC02-25-0011	2	WASHER SAE ZINC 17/32 ID
32	39-01-0130	4	BEARING GUARD
33	NC01-69-0786	4	GREASE FITTING 1/4-28 X 45
34	39-57-0255	1	CHAIN AND SPOCKET KIT
35	39-55-0161	2	CHAIN TENSIONER ARM
36	39-13-0115	2	BUSHING
37	NC01-25-0251	2	HEX.BOLT GR5 NC ZINC 1/2-13 X 2"
38	39-21-0075	1	WASHER FOR HYDRAULIC MOTOR
39	NC01-24-0007	1	HEX. BOLT GR5 BLACK 3/8-16 X 3/4"
40	NC01-96-0014	2	NYLON-INSERT LOCKNUT ZINC 1/2-13
41	NC01-93-0011	2	LOCK NUT 3/8-16

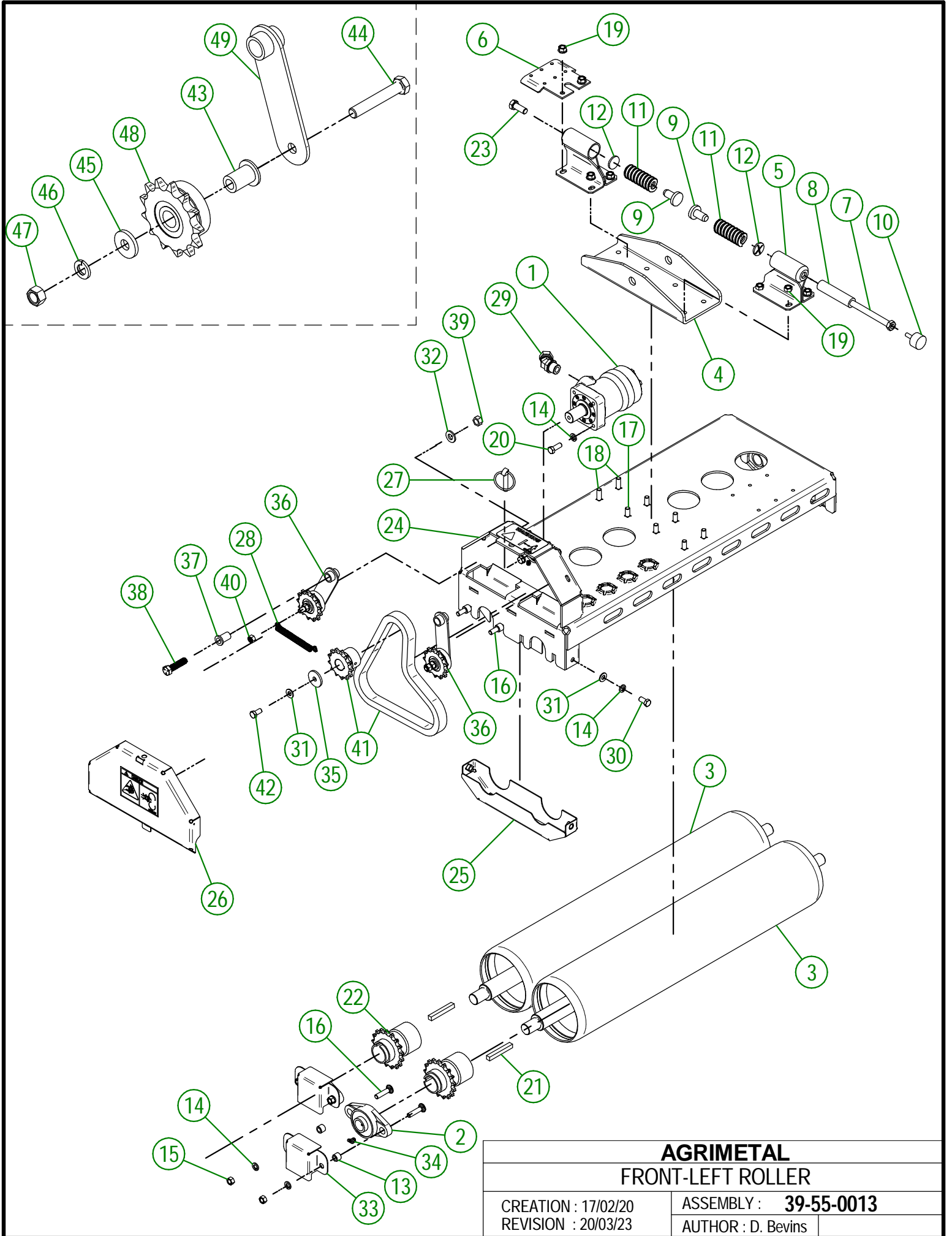
39-55-0161

#	PART #	Qty	TITLE
42	39-21-0070	1	CHAIN TENSIONER SHAFT
43	NC01-17-0119	1	HEX. BOLT GR2 ZINC 3/8-16 X 2 1/4"
44	21-01-0950	1	FLAT WASHER 10GA 1.005" DIA X 25/64"
45	NC02-32-0012	1	LOCK WASHER ZINC 3/8"
46	NC02-07-0018	1	HEX. NUT ZINC 3/8-16
47	39-55-0165	1	CHAIN TENSIONER SPROCKET ASSEMBLY
48	39-50-0155	1	CHAIN TENSIONNER PIVOT

#	PART #	Qty	TITLE
1	39-55-0013	1	FRONT-LEFT ROLLER
2	39-09-1205	1	BUSHING
3	39-42-0700	1	PIVOTING BLOCK
4	NC01-37-0480	1	HEX. BOLT GR8 ZINC 3/4-16 X 5 1/2"
5	NC02-32-0017	1	LOCK WASHER ZINC 3/4"
6	NC02-11-0023	1	NUT 3/4-16



AGRIMETAL	
FRONT-LEFT ROLLER	
CREATION : 17/02/20	ASSEMBLY : 39-57-0107
REVISION : 08/05/20	AUTHOR : D. Bevins Page 12 de 31



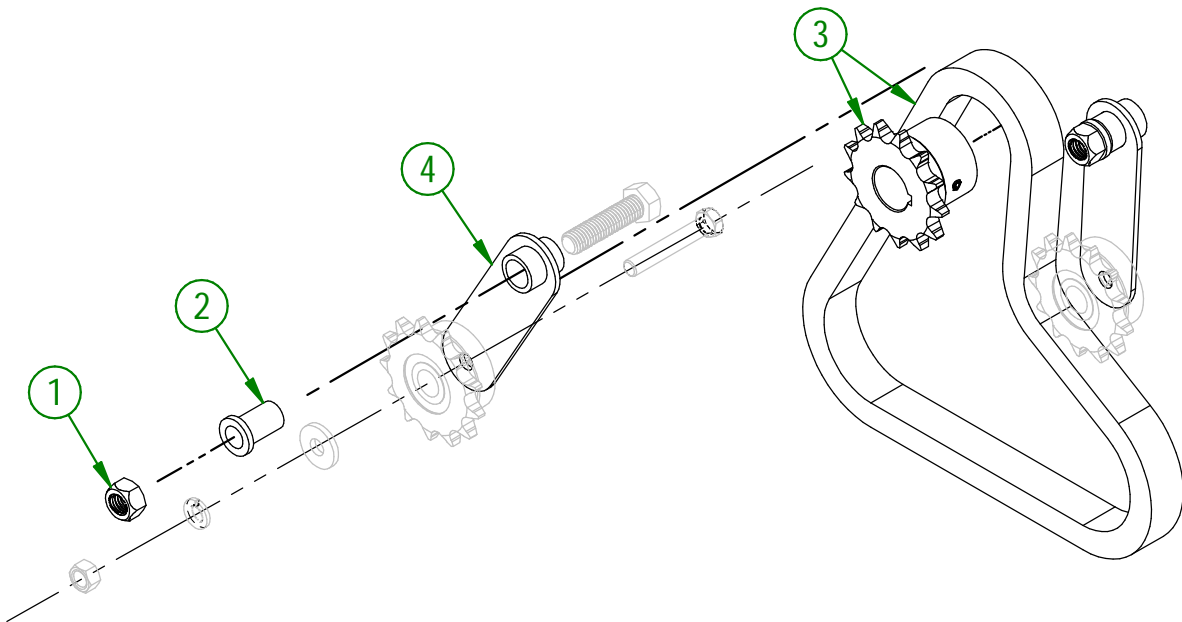
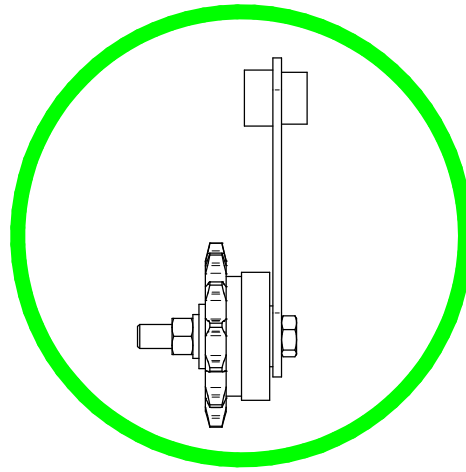
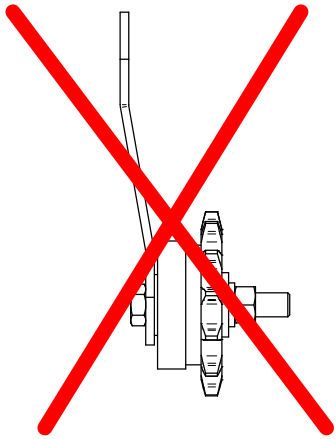
AGRIMETAL
FRONT-LEFT ROLLER

CREATION : 17/02/20
 REVISION : 20/03/23

ASSEMBLY : **39-55-0013**
 AUTHOR : D. Bevins

IMPORTANT

IF YOUR CHAIN TENSIONER ARMS HAVE BENDS LIKE THE PICTURE, YOU HAVE TO ORDER THE REPLACEMENT KIT 39-57-0225



39-57-0225

#	PART #	Qty	TITLE
1	NC01-93-0014	2	LOCK NUT ZINC 1/2-13
2	39-13-0115	2	BUSHING
3	39-57-0225	1	CHAIN AND SPOCKET KIT
4	39-50-0155	2	CHAIN TENSIONNER PIVOT

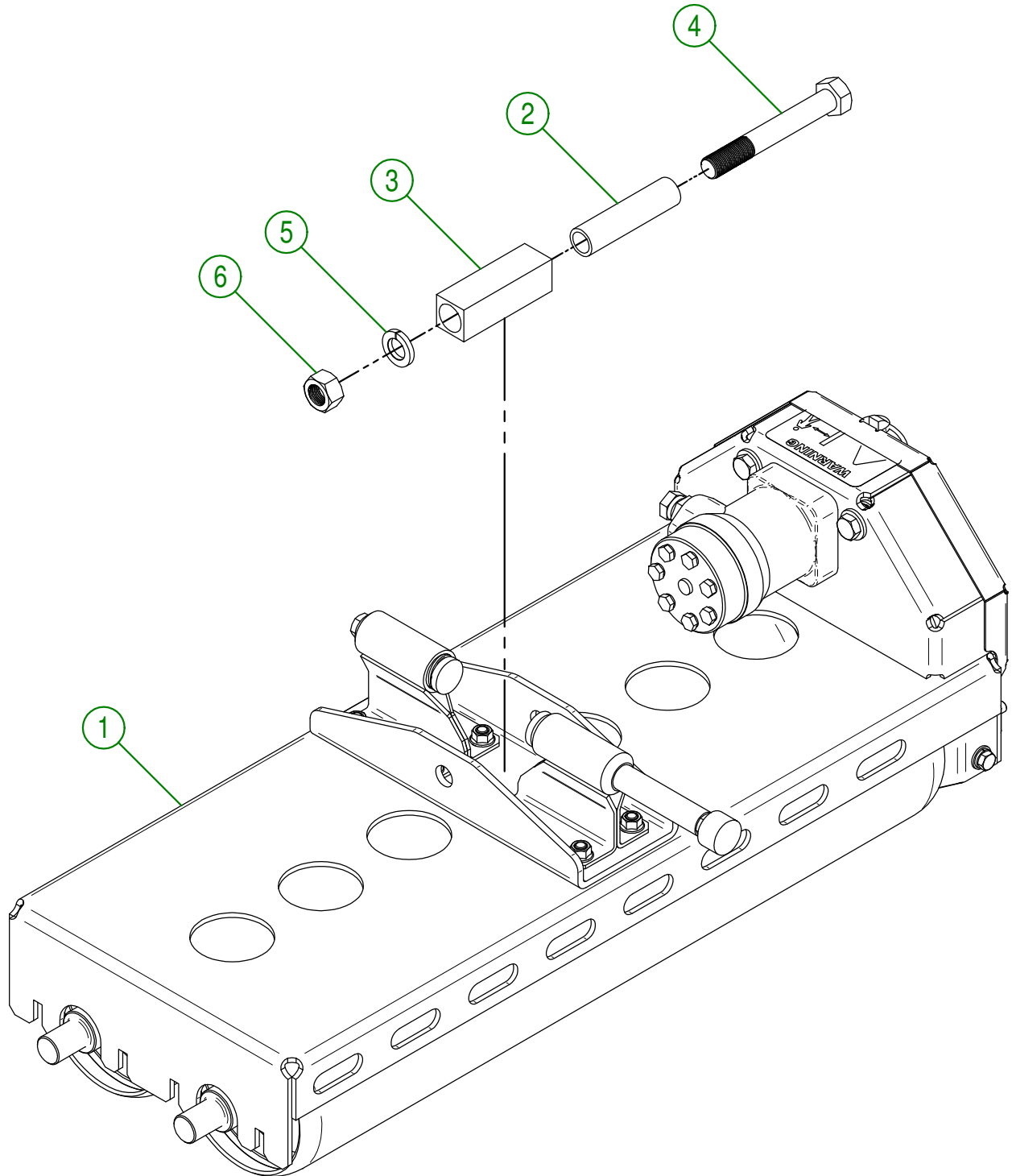
39-55-0013

#	PART #	Qty	TITLE
1	NC14-45-0040	1	50cc HYDRAULIC MOTOR
2	NC14-75-0019	4	FLANGE PILLOW BLOCK BEARING UCFL205-16 Ø 1"
3	39-50-0096	2	ROLLER (1 KW)
4	39-04-0225	1	ROLLER SUPPORT
5	39-50-0045	2	SPRING GUIDE
6	39-01-1050	1	HYDRAULIC HOSE SUPPORT
7	39-30-9956	1	RAMP STOP SPACER
8	39-21-0031	1	RAMP STOP SPACER
9	39-42-0100	2	SPRING TIP
10	NC13-15-0034	1	RUBBER ABSORBER
11	NC13-86-0159	2	RED SPRING 1 1/4"OD X 5/8"ID X 2" LG
12	39-01-1000	2	SPRING GUIDE WASHER
13	32-09-0000	4	BUSHING BEARING
14	NC02-32-0012	14	LOCK WASHER ZINC 3/8"
15	NC02-07-0018	8	HEX. NUT ZINC 3/8-16
16	NC01-04-0111	8	CARR. BOLT GR2 ZINC 3/8-16 X 1 1/2"
17	NC01-04-0109	6	CARR. BOLT GR2 ZINC 3/8-16 X 1"
18	NC01-04-0110	2	CARR. BOLT GR2 ZINC 3/8-16 X 1 1/4"
19	NC02-14-0019	8	FLANGE NUT HEX. NC 3/8-16 GR. B
20	NC01-17-0114	4	HEX. BOLT GR2 ZINC 3/8-16 X 1"
21	48-41-0905	2	SQUARE KEY 3/8" X 2 3/4" LG
22	39-50-0052	2	ROLLER SPROCKET
23	NC01-17-0248	1	HEX. BOLT GR2 ZINC 1/2-13 X 1 1/4"
24	39-57-0162	1	ROLLER HOUSING (FRONT-LEFT)
25	39-50-0130	1	ROLLER CHAIN GUARD
26	39-57-0061	1	CHAIN GUARD
27	NC01-69-1100	1	LINCH PIN 3/8"
28	NC13-85-0058	1	CHAIN TENSIONER SPRING
29	NC13-45-0367	2	45°-7/8-14 MALE O RING X 1/2 FEM.TOUR.NPT PT
30	NC01-17-0112	2	HEX. BOLT GR2 ZINC 3/8-16 X 3/4"
31	01-01-2485	3	FLAT WASHER 14 GA X 13/16"OD X 25/64" ID
32	NC02-25-0011	2	WASHER SAE ZINC 17/32 ID
33	39-01-0130	4	BEARING GUARD
34	NC01-69-0786	4	GREASE FITTING 1/4-28 X 45
35	39-21-0075	1	WASHER FOR HYDRAULIC MOTOR
36	39-55-0161	2	CHAIN TENSIONER ARM
37	39-13-0115	2	BUSHING
38	NC01-25-0251	2	HEX.BOLT GR5 NC ZINC 1/2-13 X 2"
39	NC01-96-0014	2	NYLON-INSERT LOCKNUT ZINC 1/2-13
40	NC01-93-0011	2	LOCK NUT 3/8-16
41	39-57-0255	1	CHAIN AND SPOCKET KIT
42	NC01-24-0007	1	HEX. BOLT GR5 BLACK 3/8-16 X 3/4"

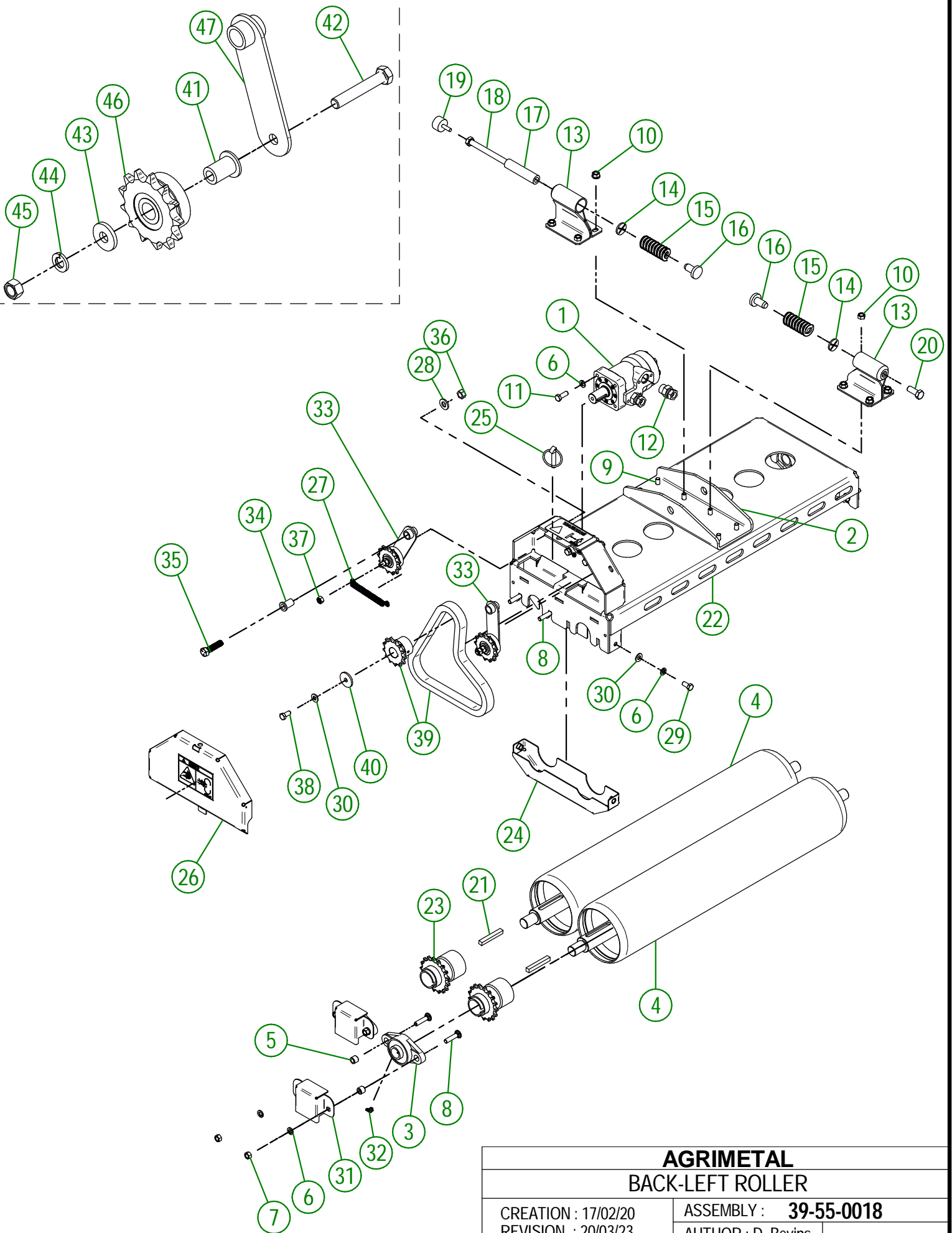
39-55-0161

#	PART #	Qty	TITLE
43	39-21-0070	1	CHAIN TENSIONER SHAFT
44	NC01-17-0119	1	HEX. BOLT GR2 ZINC 3/8-16 X 2 1/4"
45	21-01-0950	1	FLAT WASHER 10GA 1.005" DIA X 25/64"
46	NC02-32-0012	1	LOCK WASHER ZINC 3/8"
47	NC02-07-0018	1	HEX. NUT ZINC 3/8-16
48	39-55-0165	1	CHAIN TENSIONER SPROCKET ASSEMBLY
49	39-50-0155	1	CHAIN TENSIONNER PIVOT

#	PART #	Qty	TITLE
1	39-55-0018	1	BACK-LEFT ROLLER
2	39-09-1205	1	BUSHING
3	39-42-0700	1	PIVOTING BLOCK
4	NC01-37-0480	1	HEX. BOLT GR8 ZINC 3/4-16 X 5 1/2"
5	NC02-32-0017	1	LOCK WASHER ZINC 3/4"
6	NC02-11-0023	1	NUT 3/4-16



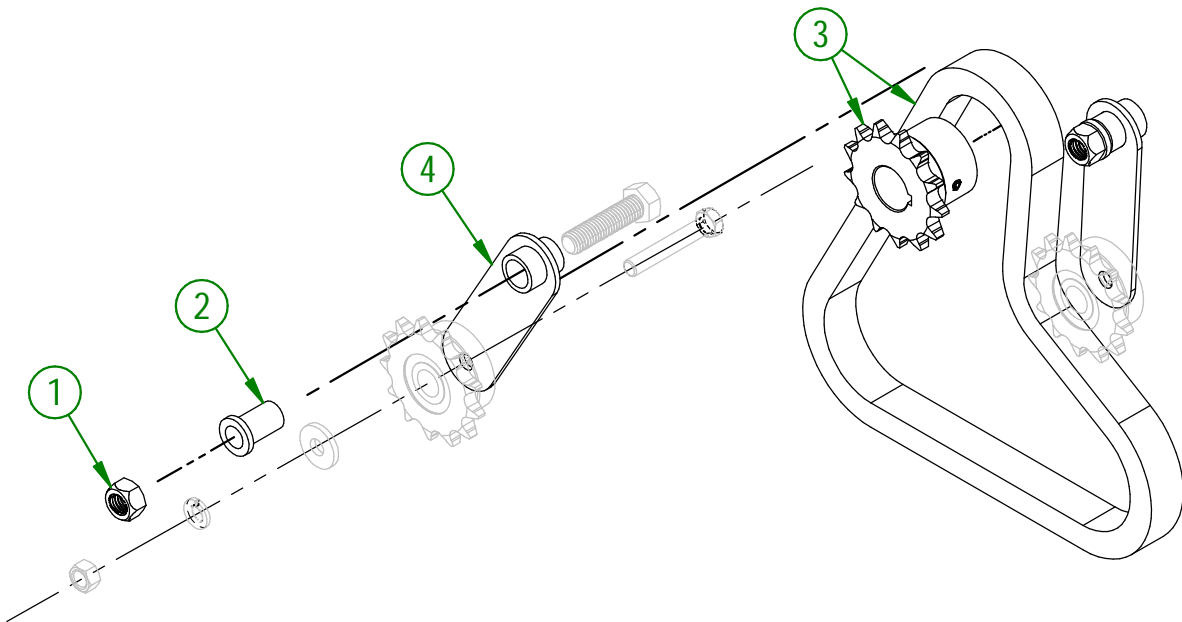
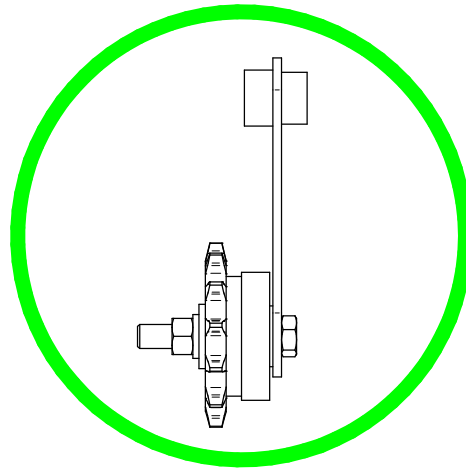
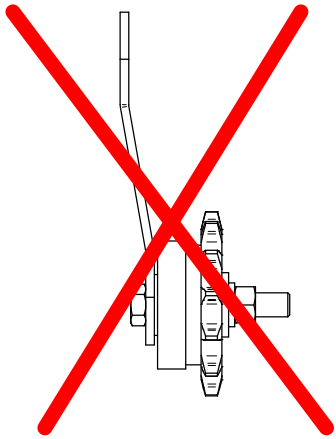
AGRIMETAL	
BACK-LEFT ROLLER	
CREATION : 17/02/20	ASSEMBLY : 39-57-0112
REVISION : 08/05/20	AUTHOR : D. Bevins Page 16 de 31



AGRIMETAL	
BACK-LEFT ROLLER	
CREATION : 17/02/20	ASSEMBLY : 39-55-0018
REVISION : 20/03/23	AUTHOR : D. Bevins

IMPORTANT

IF YOUR CHAIN TENSIONER ARMS HAVE BENDS LIKE THE PICTURE, YOU HAVE TO ORDER THE REPLACEMENT KIT 39-57-0225



39-57-0225

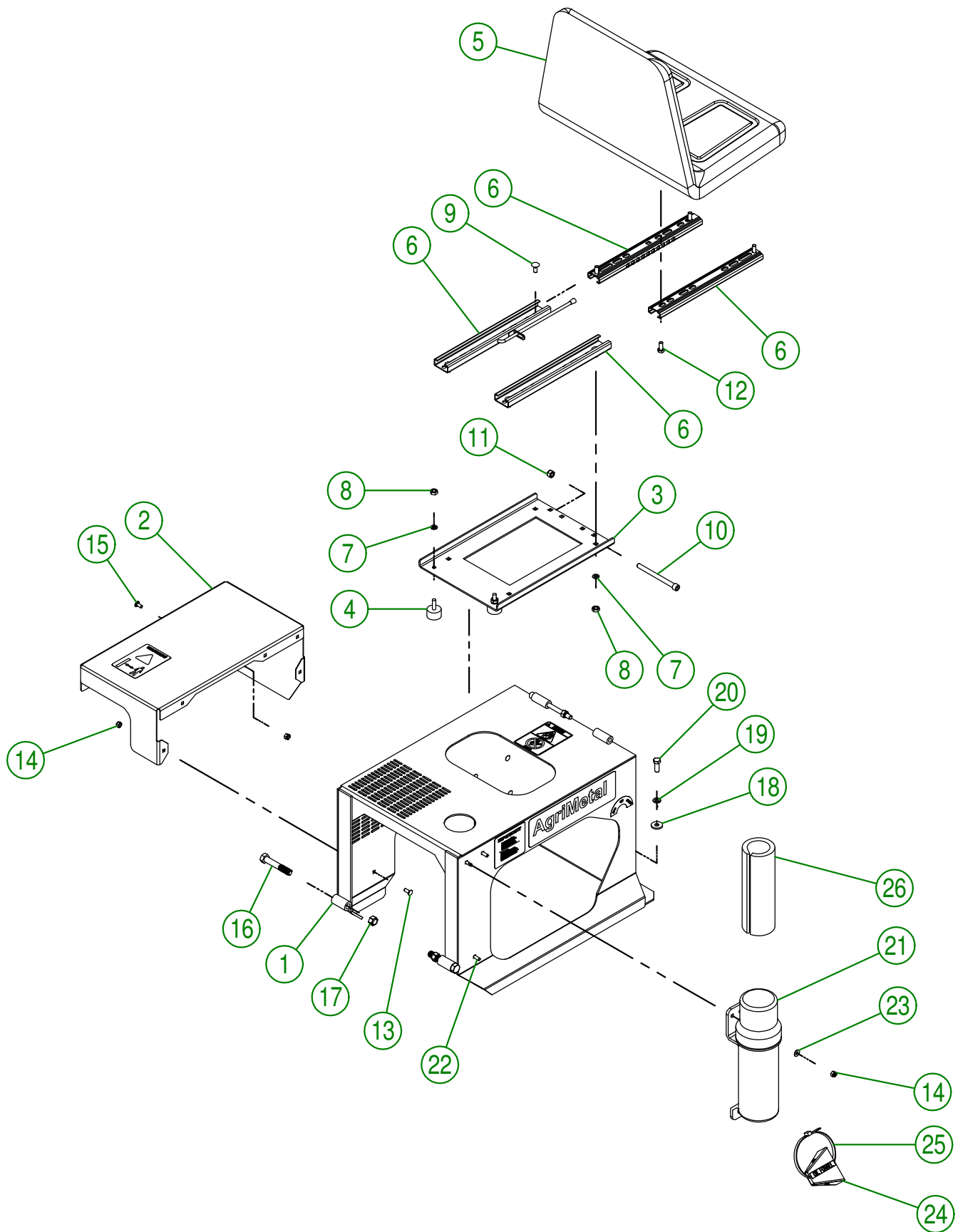
#	PART #	Qty	TITLE
1	NC01-93-0014	2	LOCK NUT ZINC 1/2-13
2	39-13-0115	2	BUSHING
3	39-57-0225	1	CHAIN AND SPOCKET KIT
4	39-50-0155	2	CHAIN TENSIONNER PIVOT

39-55-0018

#	PART #	Qty	TITLE
1	NC14-45-0040	1	50cc HYDRAULIC MOTOR
2	39-04-0225	1	ROLLER SUPPORT
3	NC14-75-0019	4	FLANGE PILLOW BLOCK BEARING UCFL205-16 Ø 1"
4	39-50-0096	2	ROLLER (1 KW)
5	32-09-0000	4	BUSHING BEARING
6	NC02-32-0012	14	LOCK WASHER ZINC 3/8"
7	NC02-07-0018	8	HEX. NUT ZINC 3/8-16
8	NC01-04-0111	8	CARR. BOLT GR2 ZINC 3/8-16 X 1 1/2"
9	NC01-04-0109	8	CARR. BOLT GR2 ZINC 3/8-16 X 1"
10	NC02-14-0019	8	FLANGE NUT HEX. NC 3/8-16 GR. B
11	NC01-17-0114	4	HEX. BOLT GR2 ZINC 3/8-16 X 1"
12	NC13-45-0073	2	STRAIGHT 7/8-14 MALE SAE10 O-RING X 3/8 FEM. TOUR. NPT
13	39-50-0045	2	SPRING GUIDE
14	39-01-1000	2	SPRING GUIDE WASHER
15	NC13-86-0159	2	RED SPRING 1 1/4"OD X 5/8"ID X 2" LG
16	39-42-0100	2	SPRING TIP
17	39-21-0031	1	RAMP STOP SPACER
18	39-30-9956	1	RAMP STOP SPACER
19	NC13-15-0034	1	RUBBER ABSORBER
20	NC01-17-0248	1	HEX. BOLT GR2 ZINC 1/2-13 X 1 1/4"
21	48-41-0905	2	SQUARE KEY 3/8" X 2 3/4" LG
22	39-57-0167	1	ROLLER HOUSING (BACK-LEFT)
23	39-50-0052	2	ROLLER SPROCKET
24	39-50-0130	1	ROLLER CHAIN GUARD
25	NC01-69-1100	1	LINCH PIN 3/8"
26	39-57-0061	1	CHAIN GUARD
27	NC13-85-0058	1	CHAIN TENSIONER SPRING
28	NC02-25-0011	2	WASHER SAE ZINC 17/32 ID
29	NC01-17-0112	2	HEX. BOLT GR2 ZINC 3/8-16 X 3/4"
30	01-01-2485	3	FLAT WASHER 14 GA X 13/16"OD X 25/64" ID
31	39-01-0130	4	BEARING GUARD
32	NC01-69-0786	4	GREASE FITTING 1/4-28 X 45
33	39-55-0161	2	CHAIN TENSIONER ARM
34	39-13-0115	2	BUSHING
35	NC01-25-0251	2	HEX.BOLT GR5 NC ZINC 1/2-13 X 2"
36	NC01-96-0014	2	NYLON-INSERT LOCKNUT ZINC 1/2-13
37	NC01-93-0011	2	LOCK NUT 3/8-16
38	NC01-24-0007	1	HEX. BOLT GR5 BLACK 3/8-16 X 3/4"
39	39-57-0255	1	CHAIN AND SPOCKET KIT
40	39-21-0075	1	WASHER FOR HYDRAULIC MOTOR

39-55-0161

#	PART #	Qty	TITLE
41	39-21-0070	1	CHAIN TENSIONER SHAFT
42	NC01-17-0119	1	HEX. BOLT GR2 ZINC 3/8-16 X 2 1/4"
43	21-01-0950	1	FLAT WASHER 10GA 1.005" DIA X 25/64"
44	NC02-32-0012	1	LOCK WASHER ZINC 3/8"
45	NC02-07-0018	1	HEX. NUT ZINC 3/8-16
46	39-55-0165	1	CHAIN TENSIONER SPROCKET ASSEMBLY
47	39-50-0155	1	CHAIN TENSIONNER PIVOT



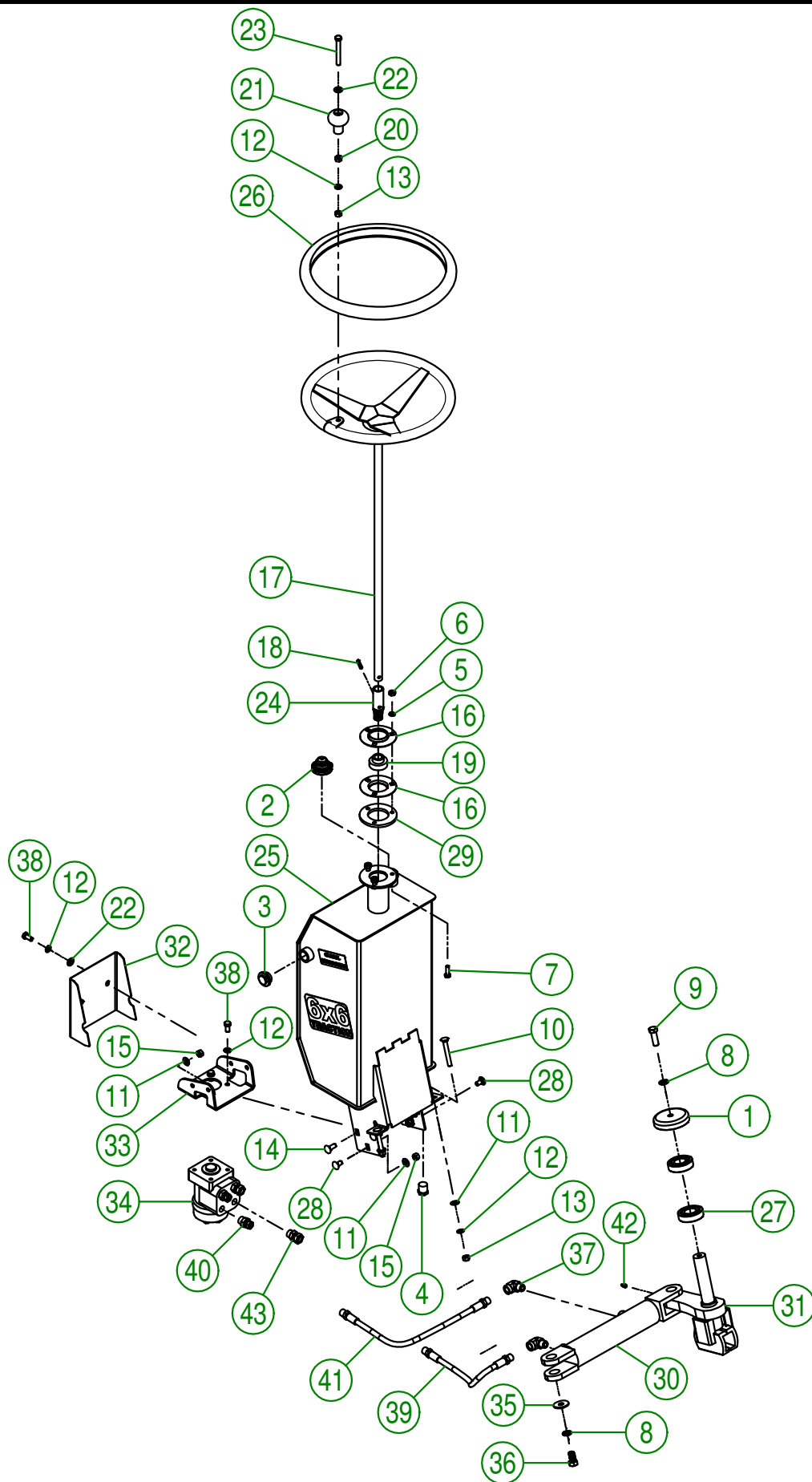
AGRIMETAL
ENGINE COVER GROUP

CREATION : 17/02/20
REVISION : 08/05/20

ASSEMBLY : **39-57-0041**

AUTHOR : J. Houle Page 20 de 31

#	PART #	Qty	TITLE
1	39-57-0010	1	ENGINE COVER
2	39-57-0036	1	HYDROSTATIC PUMP GUARD
3	39-50-0115	1	SEAT FOLDER HOLDER
4	NC13-15-0034	2	RUBBER ABSORBER
5	NC13-80-0200	1	SEAT
6	NC13-80-0201	1	SET OF SEAT RAIL
7	NC02-32-0011	6	LOCK WASHER ZINC 5/16"
8	NC02-07-0017	6	HEX. NUT 5/16-18
9	NC01-04-0056	4	CARR. BOLT 5/16-18 X3/4"
10	NC02-50-0112	2	HEX. BOLT GR2 ZINC 3/8-16 X 4 1/2"
11	NC01-96-0011	2	NYLON NUT 3/8-16
12	NC01-17-0058	4	HEX. BOLT GR2 ZINC 5/16-18 X 3/4"
13	NC01-04-0002	5	CARR. BOLT GR2 ZINC 1/4-20 X 5/8"
14	NC01-96-0009	10	NYLON-INSERT LOCKNUT ZINC 1/4-20
15	NC01-04-0001	2	CARR. BOLT GR2 ZINC 1/4-20 X1/2"
16	NC01-17-0255	2	HEX. BOLT GR2 ZINC 1/2-13 X 3"
17	NC01-96-0014	2	NYLON-INSERT LOCKNUT ZINC 1/2-13
18	21-01-0950	2	FLAT WASHER 10GA 1.005" DIA X 25/64"
19	NC02-32-0012	2	LOCK WASHER ZINC 3/8"
20	NC01-17-0114	2	HEX. BOLT GR2 ZINC 3/8-16 X 1"
21	NC13-30-0237	1	PLASTIC TUBE FOR OPERATOR'S MANUAL
22	NC01-04-0003	3	CARR. BOLT GR2 ZINC 1/4-20 X 3/4"
23	NC02-25-0007	3	WASHER ZINC 0.281 = 9/32
24	39-57-0641	1	FUNNEL FOR OIL DRAINING GROUP
25	NC13-25-0229	1	BLACK NYLON CABLE TIE
26	39-98-0620	1	OPERATOR'S MANUAL

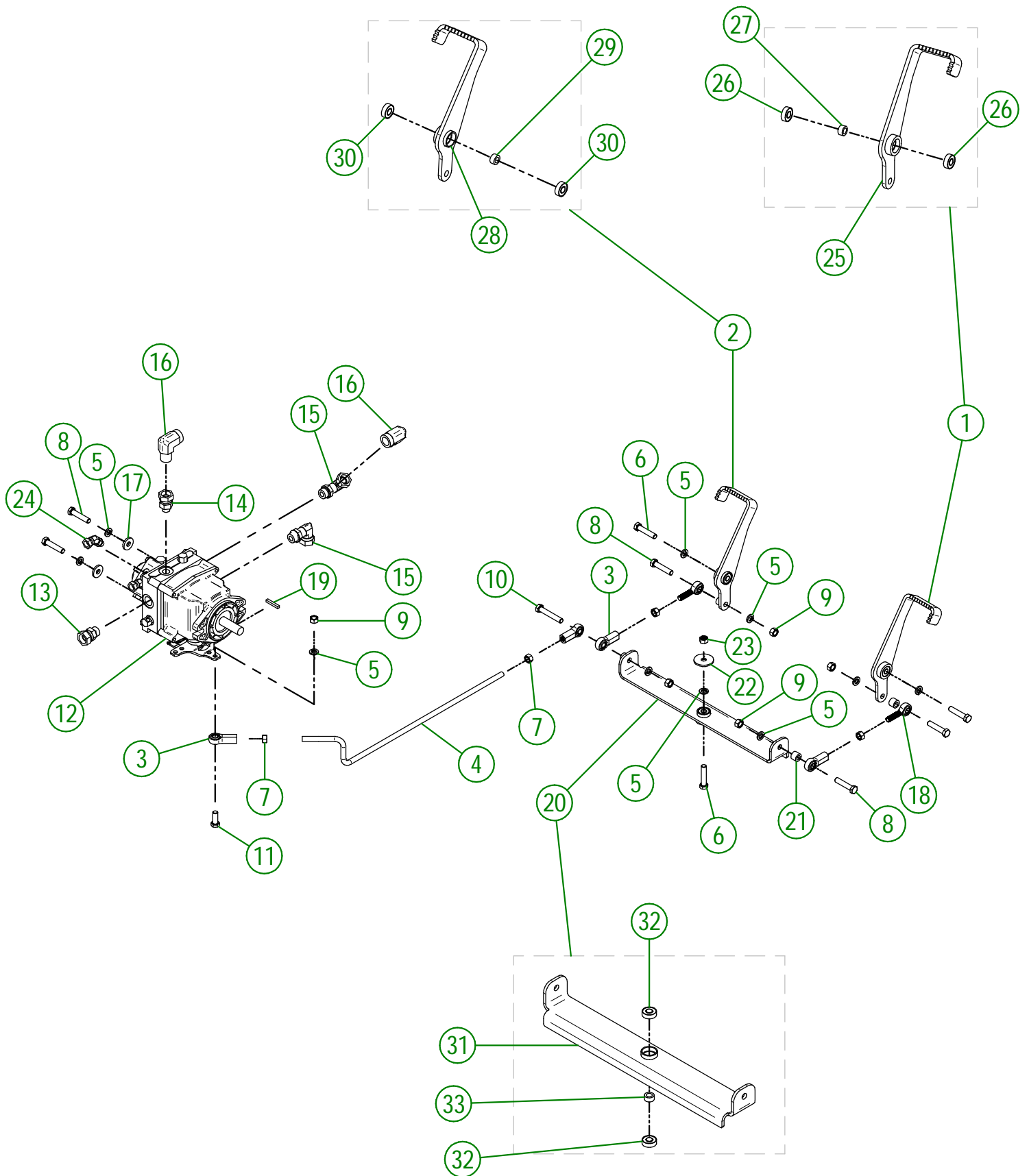


AGRIMETAL
STEERING SYSTEM GROUP

CREATION : 18/02/20
 REVISION : 01/05/20

ASSEMBLY : **39-57-0046**
 AUTHOR : D. Bevins | Page 22 de 31

#	PART #	Qty	TITLE
1	39-21-0000	1	STEERING PLATE SHAFT COVER
2	NC13-37-0121	1	TANK CAP
3	NC01-76-0001	1	SIGHT GLASS 3/4 NPT
4	NC13-45-0015	1	HEX. CAP 1/2 NPTF MALE
5	NC02-32-0011	3	LOCK WASHER ZINC 5/16"
6	NC02-07-0017	3	HEX. NUT 5/16-18
7	NC01-17-0060	3	HEX. BOLT GR2 ZINC 5/16-18 X 1"
8	NC02-32-0014	2	LOCK WASHER ZINC 1/2"
9	NC01-17-0249	1	HEX. BOLT GR2 ZINC 1/2-13 X 1 1/2"
10	NC01-04-0116	2	CARR. BOLT GR2 ZINC 3/8-16 X 2 3/4"
11	01-01-2485	8	FLAT WASHER 14 GA X 13/16"OD X 25/64" ID
12	NC02-32-0012	9	LOCK WASHER ZINC 3/8"
13	NC02-07-0018	3	HEX. NUT ZINC 3/8-16
14	NC01-04-0109	4	CARR. BOLT GR2 ZINC 3/8-16 X 1"
15	NC01-93-0011	6	LOCK NUT 3/8-16
16	NC14-75-0008	2	STEEL BEARING ONLY 3 HOLES F4 3 9/16" OD
17	39-50-0081	1	STEERING WHEEL
18	NC01-69-0459	1	ZINC SPRING PIN TENDER DIA. 1/4" X 1 1/4"
19	NC14-75-0014	1	STEEL BEARING SB 204-12 X 3/4" ID
20	NC01-96-0011	1	NYLON NUT 3/8-16
21	NC17-46-0018	1	HANDLE KNOB
22	NC17-57-0016	3	FLAT WASHER 14 GA X 13/16"OD X 25/64" ID
23	NC01-17-0122	1	HEX. BOLT GR2 ZINC 3/8-16 X 3"
24	39-20-0005	1	STEERING SHAFT ADAPTER
25	39-57-0006	1	OIL TANK
26	NC13-80-0254	1	STEERING WHEEL COVER
27	NC14-75-0091	2	6206 ZZ BEARING
28	NC01-04-0107	2	CARR. BOLT GR2 ZINC 3/8-16 X 3/4"
29	39-04-0275	1	STEERING SHAFT BEARING SUPPORT
30	NC13-45-0370	1	HYDRAULIC CYLINDER 6"
31	39-50-0071	1	STEERING PLATE
32	39-01-0080	1	STEERING SHAFT GUARD
33	39-04-0195	1	HYDRAULIQUE CONTROL SUPPORT
34	NC14-45-0151	1	HYDRAULIC STEERING ASSIST
35	01-01-1660	1	WASHER SPACER
36	NC01-17-0247	1	HEX. BOLT GR2 ZINC 1/2-13 X 1"
37	NC13-45-0038	2	ELBOW 90 3/8 FEM. NPT X 3/8 MALE NPT
38	NC01-17-0112	6	HEX. BOLT GR2 ZINC 3/8-16 X 3/4"
39	NC17-02-0418	1	HYD. HOSE 1/4 X 16 1/2"OAL 3/8 NPTMALE RIG.X 3/8NPTMALE RIG
40	NC13-45-0204	2	STRAIGHT REDUCER 3/4-16 MALE SAE8 O RING X 1/4 FEMALE
41	NC17-02-0419	1	HYD. HOSE 1/4 X 17"OAL 3/8 NPTMALE RIG.X 3/8NPTMALE RIG
42	NC01-69-0785	1	STRAIGHT GREASE FITTING 1/4-28
43	NC13-45-0036	2	STRAIGHT REDUCER 3/4-16 MALE SAE8 O RING X 1/4 FEMALE



AGRIMETAL	
HYDROSTATIC SYSTEM GROUP	
CREATION : 18/02/20	ASSEMBLY : 39-57-0094
REVISION : 02/11/22	AUTHOR : D. Bevins

39-57-0094

#	PART #	Qty	TITLE
1	39-55-0026	1	RIGHT PEDAL
2	39-55-0021	1	LEFT PEDAL
3	NC01-67-0104	4	INTERNALLY THREADED BALL JOINT ROD ENDS 3/8-24
4	39-13-0401	1	HYDROSTATIC CONTROL ROD
5	NC02-32-0012	10	LOCK WASHER ZINC 3/8"
6	NC01-33-0117	3	CARR. BOLT GR8 ZINC 3/8-16 X 1 3/4"
7	NC02-10-0018	4	NUT 3/8-24
8	NC01-17-0117	5	HEX. BOLT GR2 ZINC 3/8-16 X 1 3/4"
9	NC02-07-0018	5	HEX. NUT ZINC 3/8-16
10	NC01-17-0119	1	HEX. BOLT GR2 ZINC 3/8-16 X 2 1/4"
11	NC01-17-0114	1	HEX. BOLT GR2 ZINC 3/8-16 X 1"
12	39-55-0036	1	HYDRAUSTATIC MOTOR HYDRO-GEAR PRE-ASSEM.
13	NC13-45-0106	1	STRAIGHT REDUCER 3/4-16 MALE SAE8 O RING X 1/2 FEMALE
14	NC13-45-0220	1	STRAIGHT 9/16 MALE ORING X 1/2 FEMALE NPT
15	NC13-45-0203	2	ELBOW 90° 3/4 MALE ORING X 1/2 FEMALE NPT
16	NC13-45-0025	2	ELBOW 90° 1/2 FEMALE NPT X 1/2 MALE NPT
17	21-01-0950	2	FLAT WASHER 10GA 1.005" DIA X 25/64"
18	NC01-67-0304	2	BALL JOINTS ROD ENDS 3/8-24
19	01-41-0905	1	SQUARE KEY 3/16" X 1 1/4"TL
20	39-55-0046	1	PEDAL JUNCTION ARM
21	39-09-0050	4	PEDAL SYSTEM BUSHING
22	01-33-0010	1	WASHER
23	NC01-93-0011	1	LOCK NUT 3/8-16
24	NC13-45-0372	2	FITTING 45° 7/16-20 MALE O RING SAE4 X 1/4 FEM. TOUR.NPT

39-55-0026

#	PART #	Qty	TITLE
25	39-50-0106	1	RIGHT PEDAL
26	NC14-75-0153	2	BALL BEARING R6 2RS 3/8" X 7/8" X 0.281"
27	01-09-0005	1	BUSHING

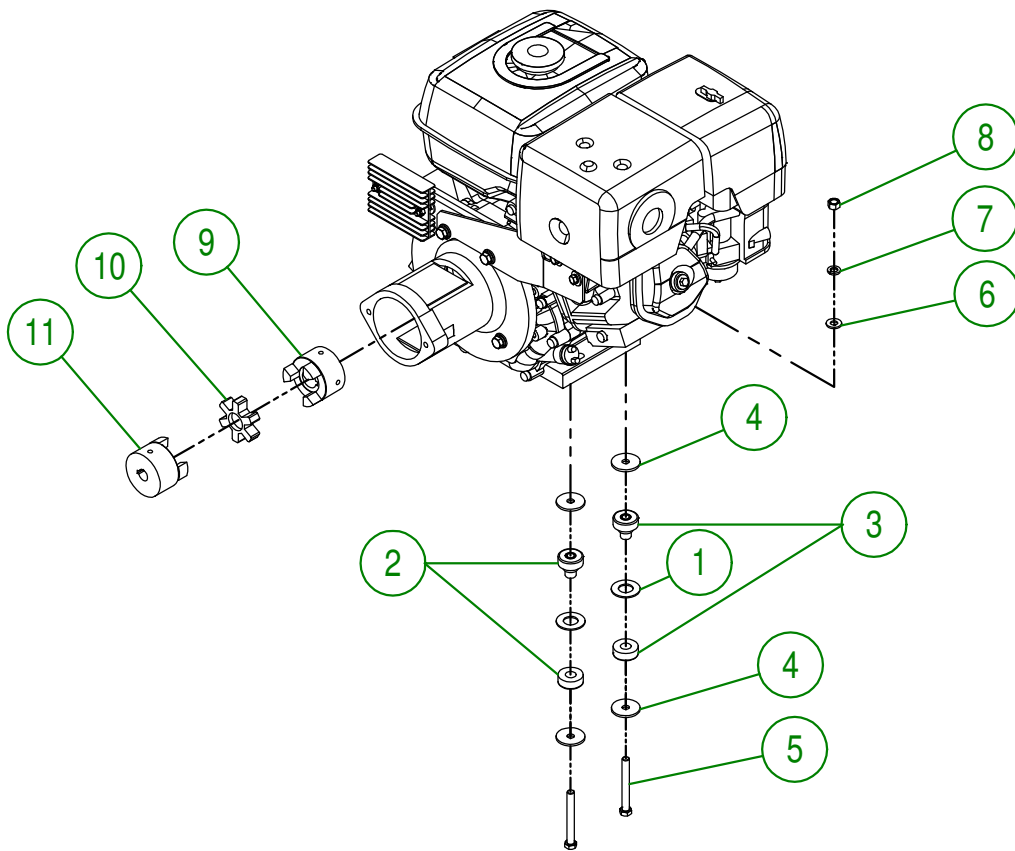
39-55-0021

#	PART #	Qty	TITLE
28	39-50-0111	1	LEFT PEDAL
29	01-09-0005	1	BUSHING
30	NC14-75-0153	2	BALL BEARING R6 2RS 3/8" X 7/8" X 0.281"

39-55-0046

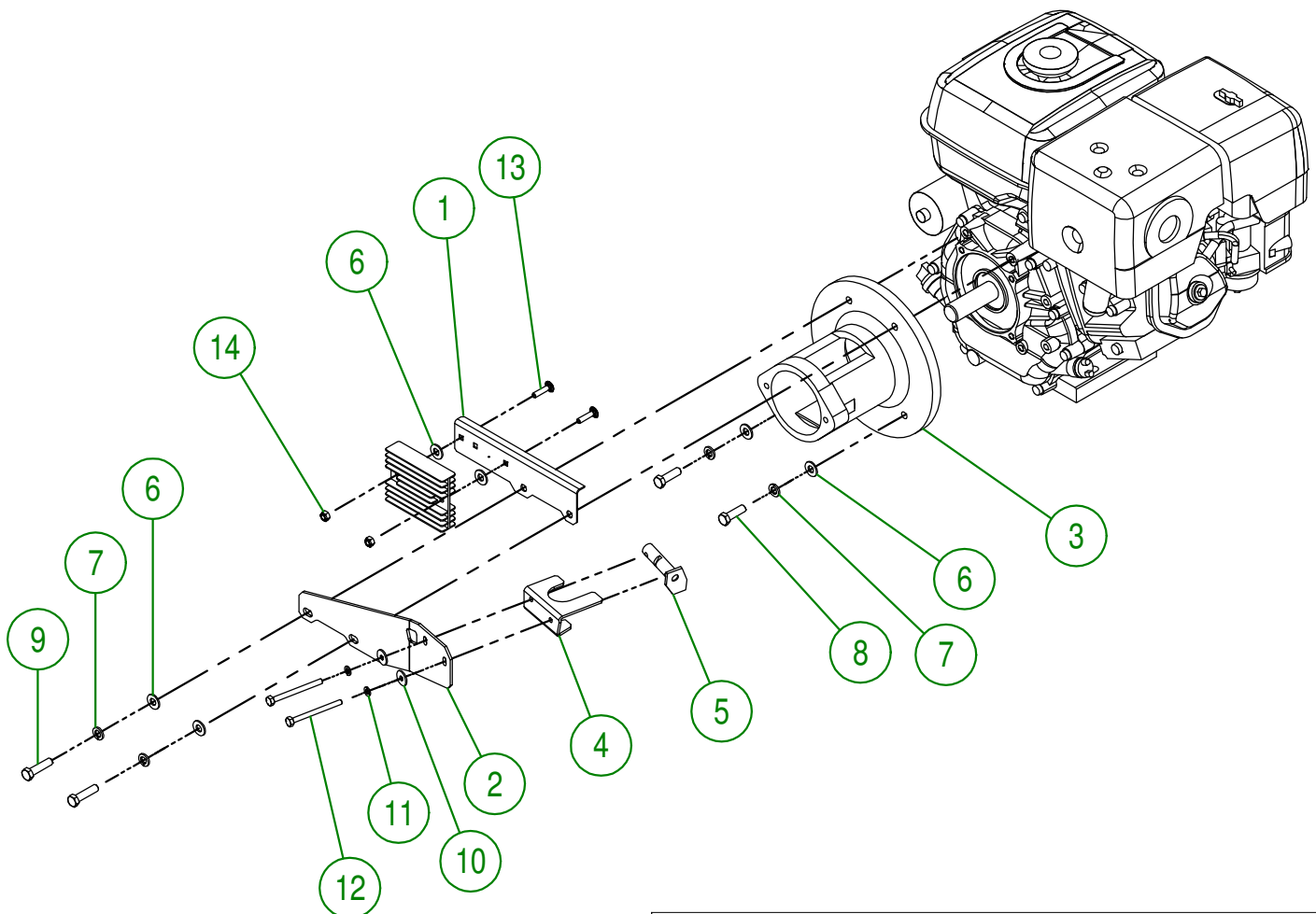
#	PART #	Qty	TITLE
31	39-50-0041	1	PEDALS UNION
32	NC14-75-0153	2	BALL BEARING R6 2RS 3/8" X 7/8" X 0.281"
33	01-09-0005	1	BUSHING

#	PART #	Qty	TITLE
1	26-03-4800	4	WASHER
2	NC13-15-0068	2	GREEN RUBBER BASE MOUNT
3	NC13-15-0059	2	YELLOW RUBBER BASE MOUNT
4	01-33-0010	8	WASHER
5	NC01-17-0123	4	HEX. BOLT GR2 ZINC 3/8-16
6	01-01-2485	4	FLAT WASHER 14 GA X 13/16"OD X 25/64" ID
7	NC02-32-0012	4	LOCK WASHER ZINC 3/8"
8	NC02-07-0018	4	HEX. NUT ZINC 3/8-16
9	NC14-05-0029	1	COUPLING (LOVEJOY) CXL100 X 1" ID
10	NC14-05-0030	1	COUPLING (LOVEJOY) RUBBER N100
11	39-46-3500	1	HYDROSTATIC COUPLING HUB



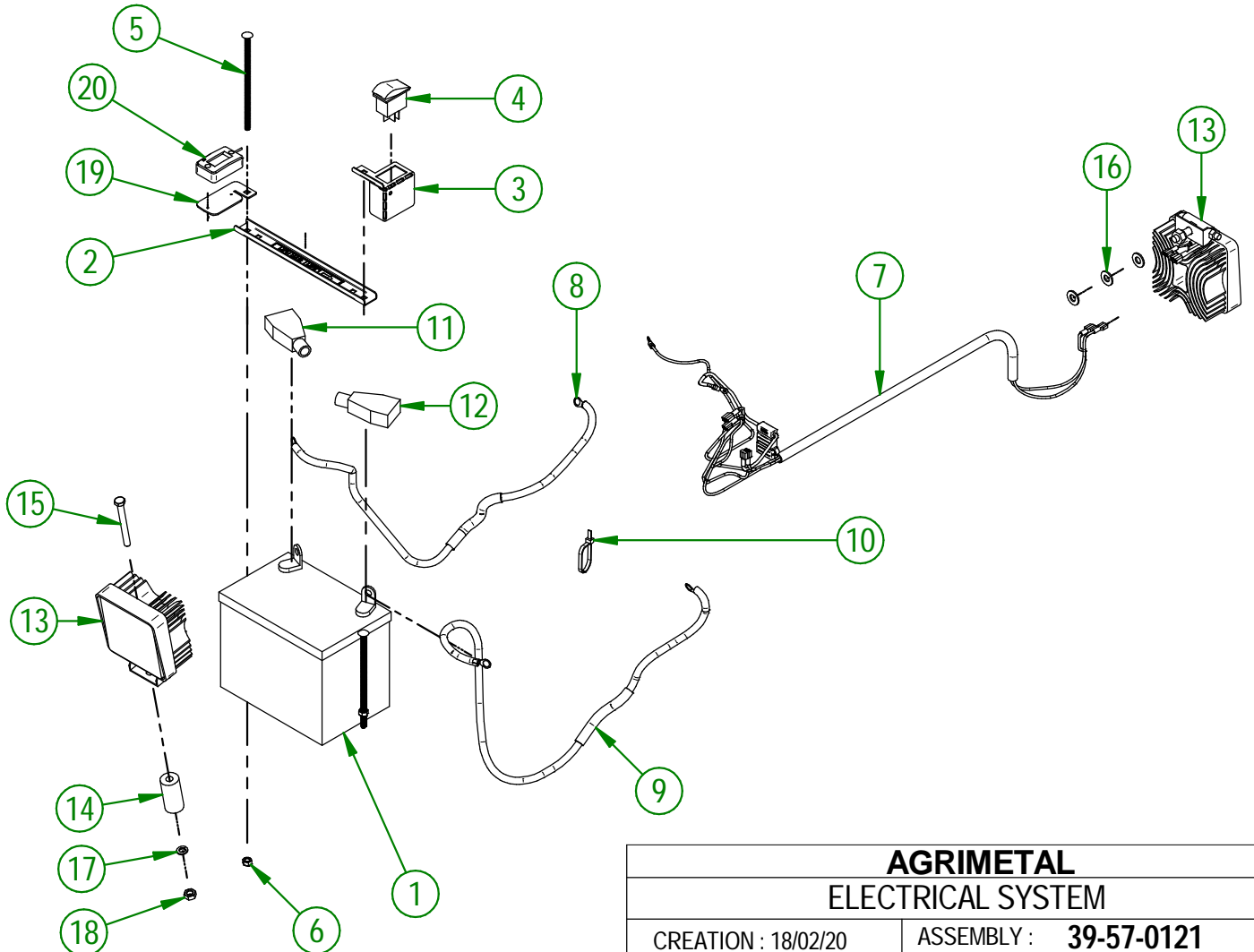
AGRIMETAL	
MOTOR GROUP	
CREATION : 09/06/17	ASSEMBLY : 39-57-0115
REVISION : 08/05/20	AUTHOR : Page 26 de 31

#	PART #	Qty	TITLE
1	39-01-2405	1	VOLTAGE REGULATOR HOLDER
2	39-01-1090	1	MUFFLER SUPPORT
3	39-50-0120	1	FUEL ENGINE ADAPTER FOR HYDROSTATIC PUMP
4	39-01-1080	1	MUFFLER SUPPORT
5	39-50-0085	1	MUFFLER SUPPORT
6	01-01-2485	6	FLAT WASHER 14 GA X 13/16"OD X 25/64" ID
7	NC02-32-0012	4	LOCK WASHER ZINC 3/8"
8	NC01-17-0115	2	HEX. BOLT GR2 ZINC 3/8-16 X 1 1/4"
9	NC01-17-0116	2	HEX. BOLT GR2 ZINC 3/8-16 X 1 1/2"
10	36-01-2430	2	WASHER
11	NC02-32-0010	2	LOCK WASHER ZINC 1/4"
12	NC01-37-0014	2	HEX. BOLT GR8 ZINC 1/4-28 X 3"
13	NC01-04-0005	2	CARR. BOLT GR2 ZINC 1/4-20 X 1"
14	NC01-96-0009	2	NYLON-INSERT LOCKNUT ZINC 1/4-20



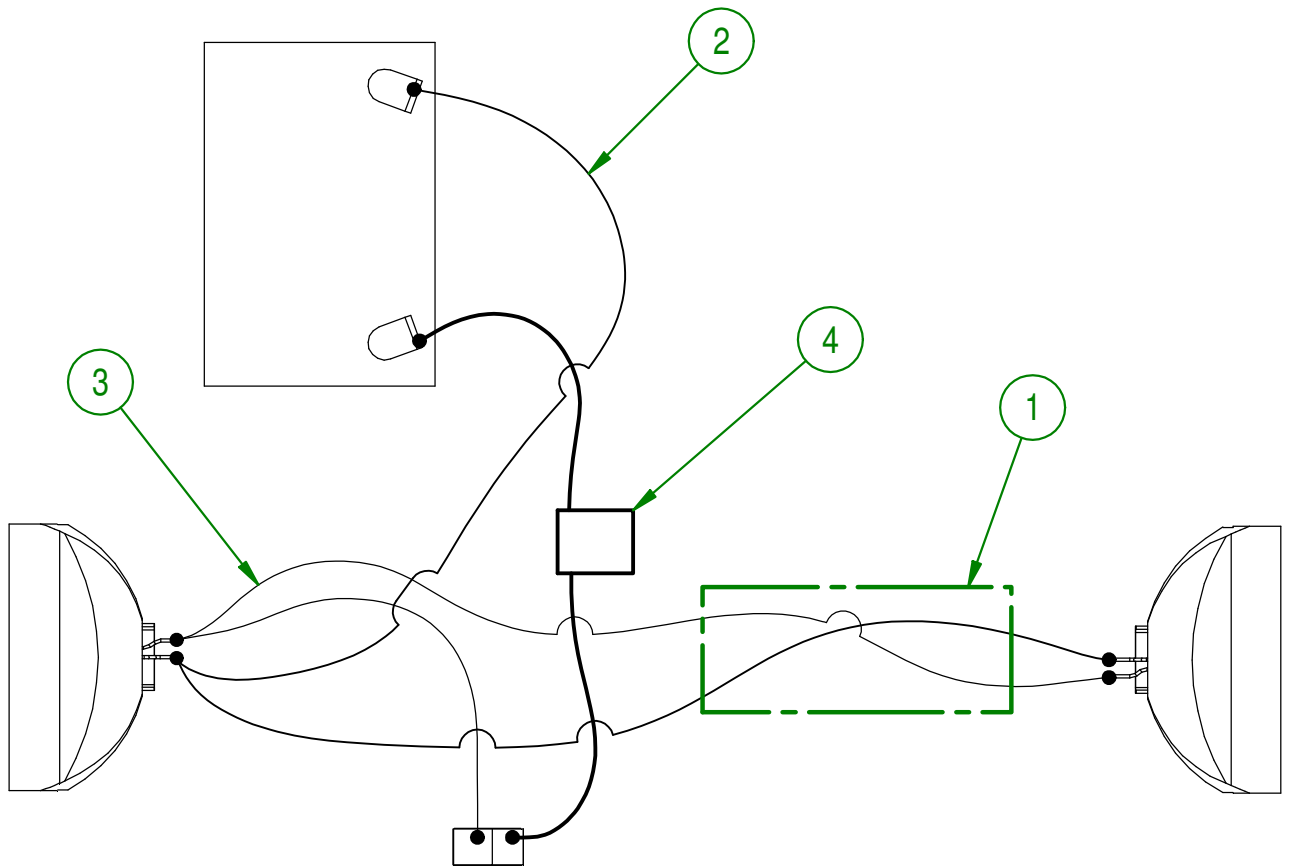
AGRIMETAL	
HONDA MOTOR WITH STARTER	
CREATION : 08/06/17	ASSEMBLY : 39-55-0030
REVISION : 08/05/20	AUTHOR : Dessin2 Page 27 de 31

#	PART #	Qty	TITLE
1	NCI3-12-0001	1	12 VOLTS BATTERY
2	39-57-0195	1	BATTERY STRAPE
3	39-01-3050	1	LIGHT SWITCH HOLDER
4	NCI3-25-0368	1	LIGHT SWITCH
5	NC01-04-0027	2	CARR. BOLT 1/4-20 X 6" LG
6	NC01-96-0009	2	NYLON-INSERT LOCKNUT ZINC 1/4-20
7	39-57-0016	1	COMPLETE ELECTRIC WIRE SET
8	39-55-0105	1	NEGATIVE BATTERY CABLE
9	39-55-0100	1	POSITIVE BATTERY CABLE
10	NCI3-25-0019	1	NYLON CABLE TIE
11	NCI3-80-0268	1	BLACK PROTECTOR FOR BATTERY POST
12	NCI3-80-0267	1	RED PROTECTOR FOR BATTERY POST
13	39-55-0121	2	LED LIGHT
14	39-21-0065	1	RIGHT LIGHT HOLDER
15	NC01-17-0068	1	HEX. BOLT GR2 NC ZINC 5/16-18 X 3"
16	01-01-2485	3	FLAT WASHER 14 GA X 13/16"OD X 25/64" ID
17	NC02-32-0011	1	LOCK WASHER ZINC 5/16"
18	NC02-07-0017	1	HEX. NUT 5/16-18
19	33-01-4000	1	HOUR METER HOLDER
20	NCI3-37-0669	1	HOUR METER



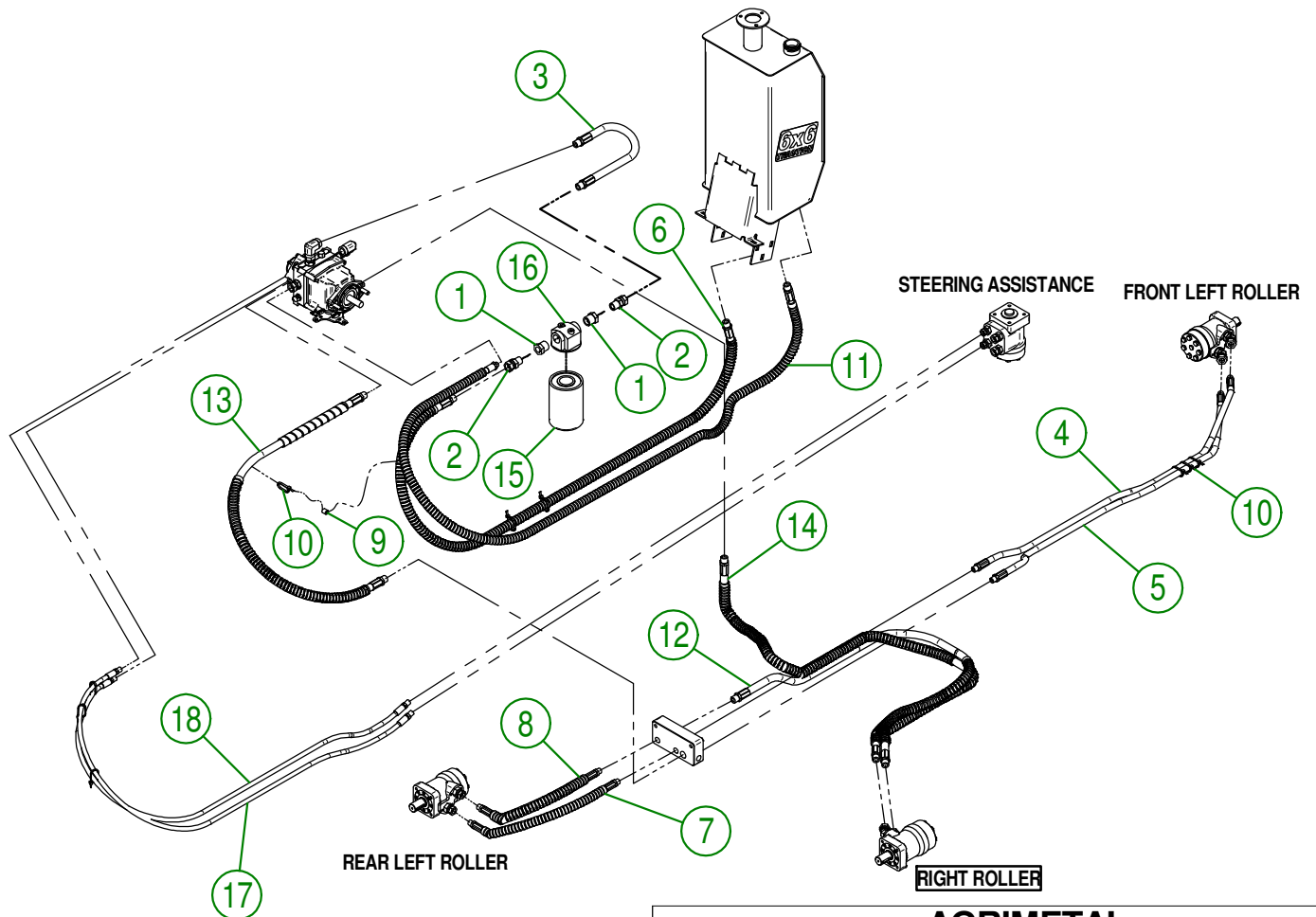
AGRIMETAL	
ELECTRICAL SYSTEM	
CREATION : 18/02/20	ASSEMBLY : 39-57-0121
REVISION : 17/02/22	AUTHOR : D. Bevins

#	PART #	Qty	TITLE
1	NC13-40-0030	1	URETHANE HOSE
2	39-57-0030	1	BROWN WIRE COMBINATION
3	39-57-0025	1	WHITE WIRE COMBINATION
4	39-57-0020	1	FUSE COMPARTMENT



AGRIMETAL	
COMPLETE ELECTRIC WIRE SET	
CREATION : 08/06/17	ASSEMBLY : 39-57-0015
REVISION : 08/05/20	AUTHOR : J.HOULE Page 29 de 31

#	PART #	Qty	TITLE
1	NC13-45-0032	2	STRAIGHT HOSE FITTING 1/2 FEM. NPT X 3/4 MALE NPT
2	NC13-45-0091	2	STRAIGHT HOSE FITTING 1/2 MALE NPTF X 1/2 FEM. SWIVEL
3	NC17-02-0313	1	HYDRAULIC HOSE 19"
4	NC17-02-0312	1	HYDRAULIC HOSE 48 1/2"
5	NC17-02-0312	1	HYDRAULIC HOSE 48 1/2"
6	NC17-02-0317	1	HYDRAULIC HOSE 64"
7	NC17-02-0311	1	HYDRAULIC HOSE 17"
8	NC17-02-0408	1	HYDRAULIC HOSE 14"
9	NC13-40-0025	1	BLACK GASOLINE HOSE
10	NC13-25-0019	9	NYLON CABLE TIE
11	NC17-02-0318	1	HYDRAULIC HOSE 75"
12	39-55-0585	1	HYDRAULIC HOSE 60"
13	39-55-0580	1	HYDRAULIC HOSE 44"
14	39-55-0590	1	HYDRAULIC HOSE 66" LG.
15	NC13-45-0048	1	OIL FILTER
16	NC13-45-0049	1	HEAD FILTER
17	NC17-02-0420	1	HYD. HOSE 1/4 X 70"OAL 1/4 NPTMALE RIG.X 1/4NPTMALE RIG
18	NC17-02-0420	1	HYD. HOSE 1/4 X 70"OAL 1/4 NPTMALE RIG.X 1/4NPTMALE RIG



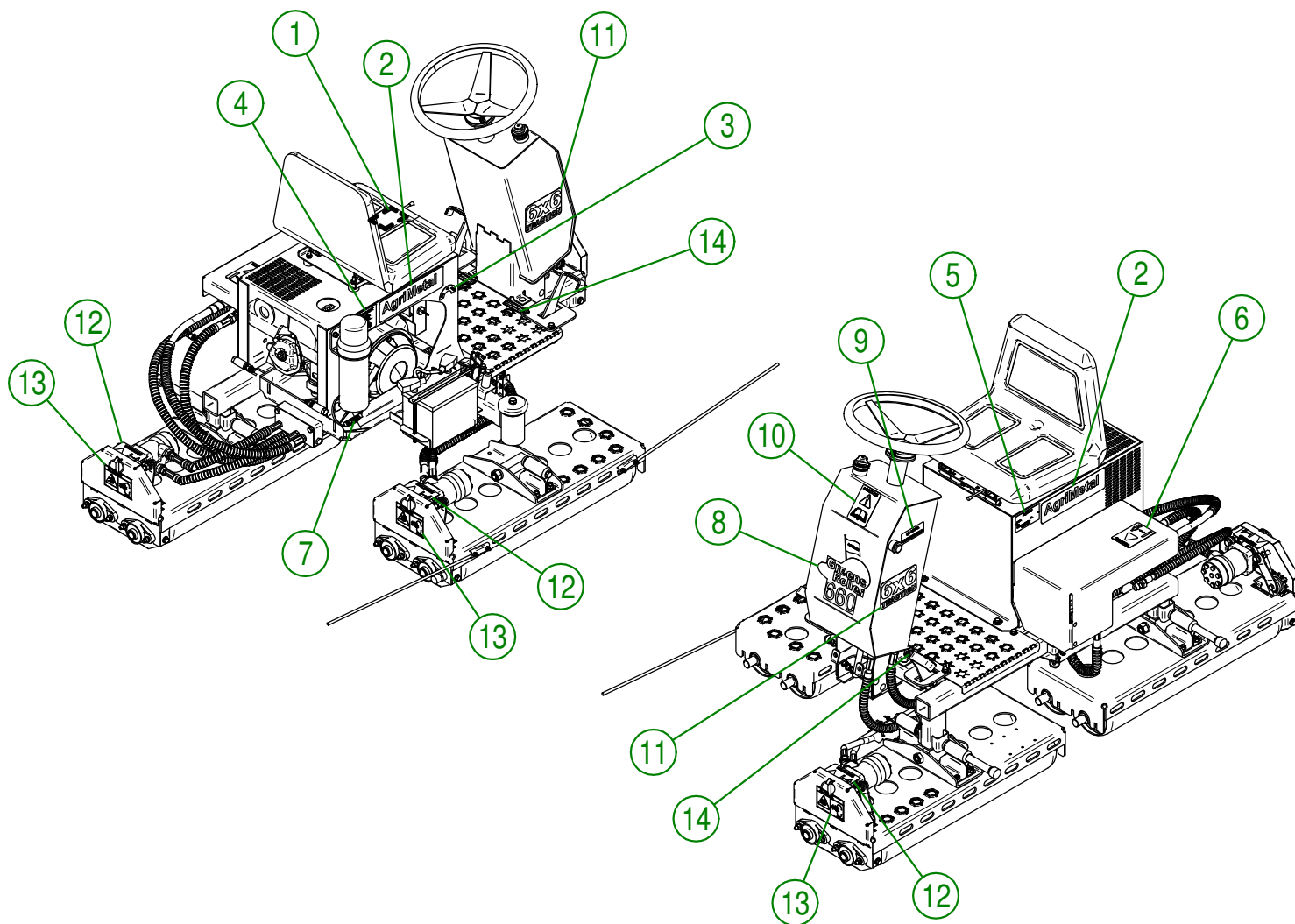
AGRIMETAL
HYDRAULIC SYSTEM

CREATION : 19/02/20
REVISION : 08/05/20

ASSEMBLY : **39-57-0092**

AUTHOR : D. Bevins Page 30 de 31

#	PART #	QTY	TITLE
1*	NCI3-33-0185	1	STICKER PICTOGRAM (FIRE + CIGARETTE)
2	NCI3-33-0035	2	STICKER AGRIMETAL
3	NCI3-33-0095	1	STICKER OFF ON START
4	NCI3-33-0151	1	STICKER (IMPORTANT TO PREVENT ENGINE FAILURE...)
5	NCI3-50-0086	1	SERIAL NUMBER PLATE
6	NCI3-33-0257	1	STICKER HIGH PRESSURE LIQUID PICTOGRAM
7	NCI3-33-0325	1	STICKER OIL FUNNEL
8	NCI3-33-0232	1	STICKER AGRIMETAL GREENS ROLLER 660
9	NCI3-33-0003	1	STICKER OIL LEVEL
10	NCI3-33-0183	1	STICKER CAUTION OPERATION MANUAL
11	NCI3-33-0336	2	6X6 STAMP
12	NCI3-33-0288	3	STICKER WARNING HIGH-PRESSURE LIQUID
13	NCI3-33-0247	3	STICKER DANGER
14	NCI3-33-0124	2	STICKER STEERING ARROW



AGRIMETAL
GREEN ROLLER GR-660-D

CREATION : 12/02/20
REVISION : 08/05/20

ASSEMBLY : **39-99-0007**

AUTHOR : D. Bevins Page 31 de 31