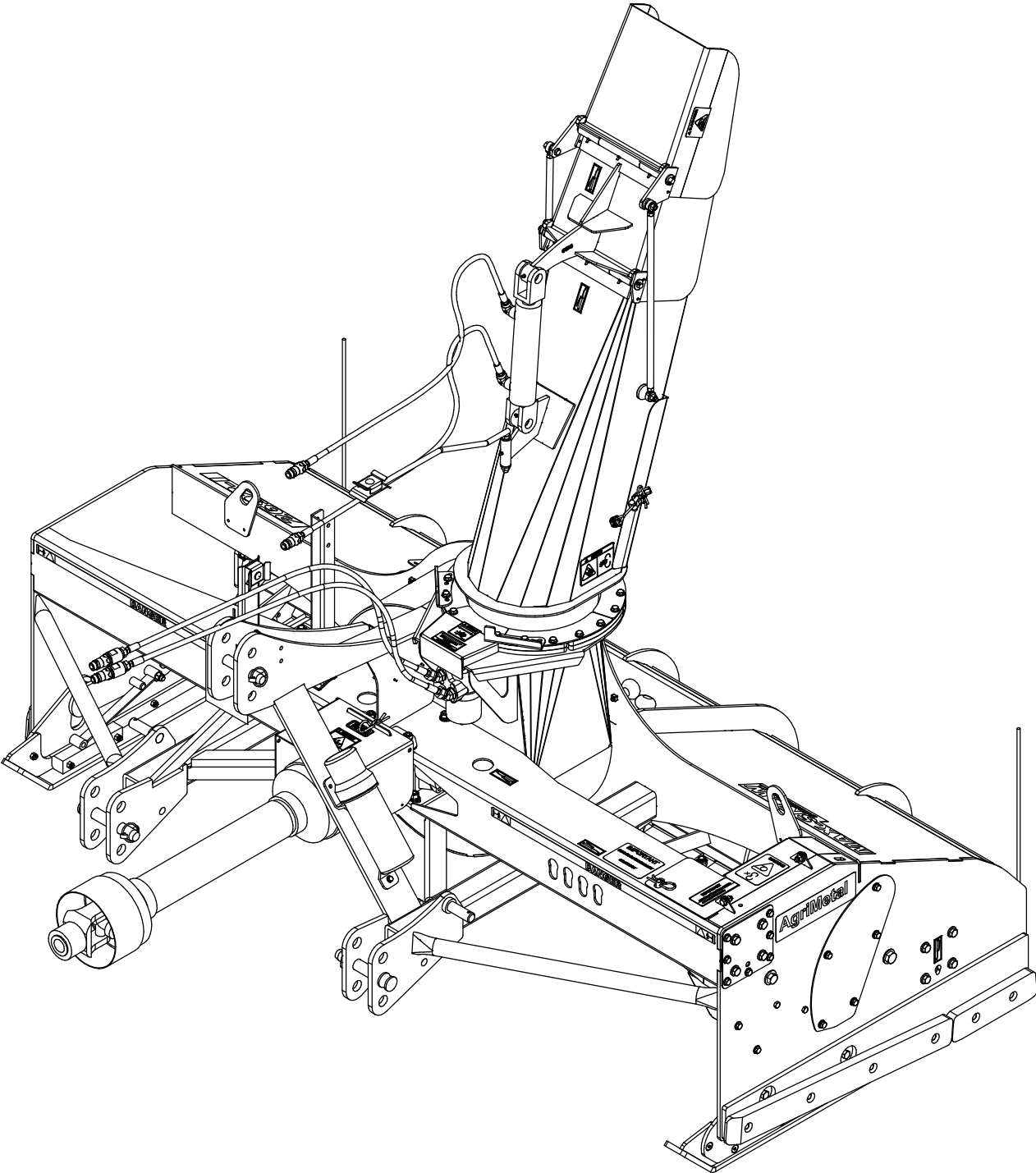
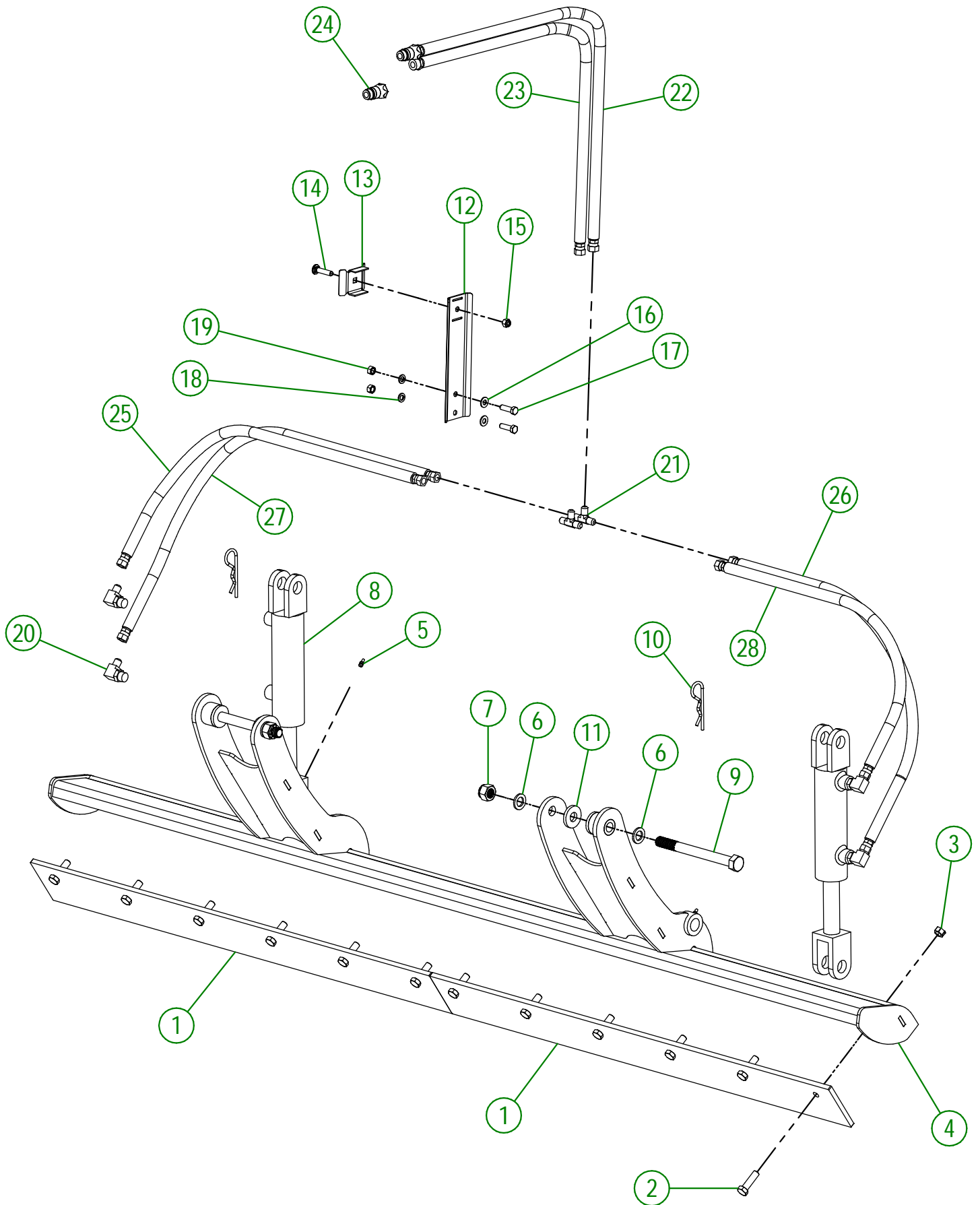


AgriMetal

PARTS LIST



MS 2692-i



AGRIMETAL
ICE SCRAPER GROUP

CREATION : 04/10/22
 REVISION : 04/10/22

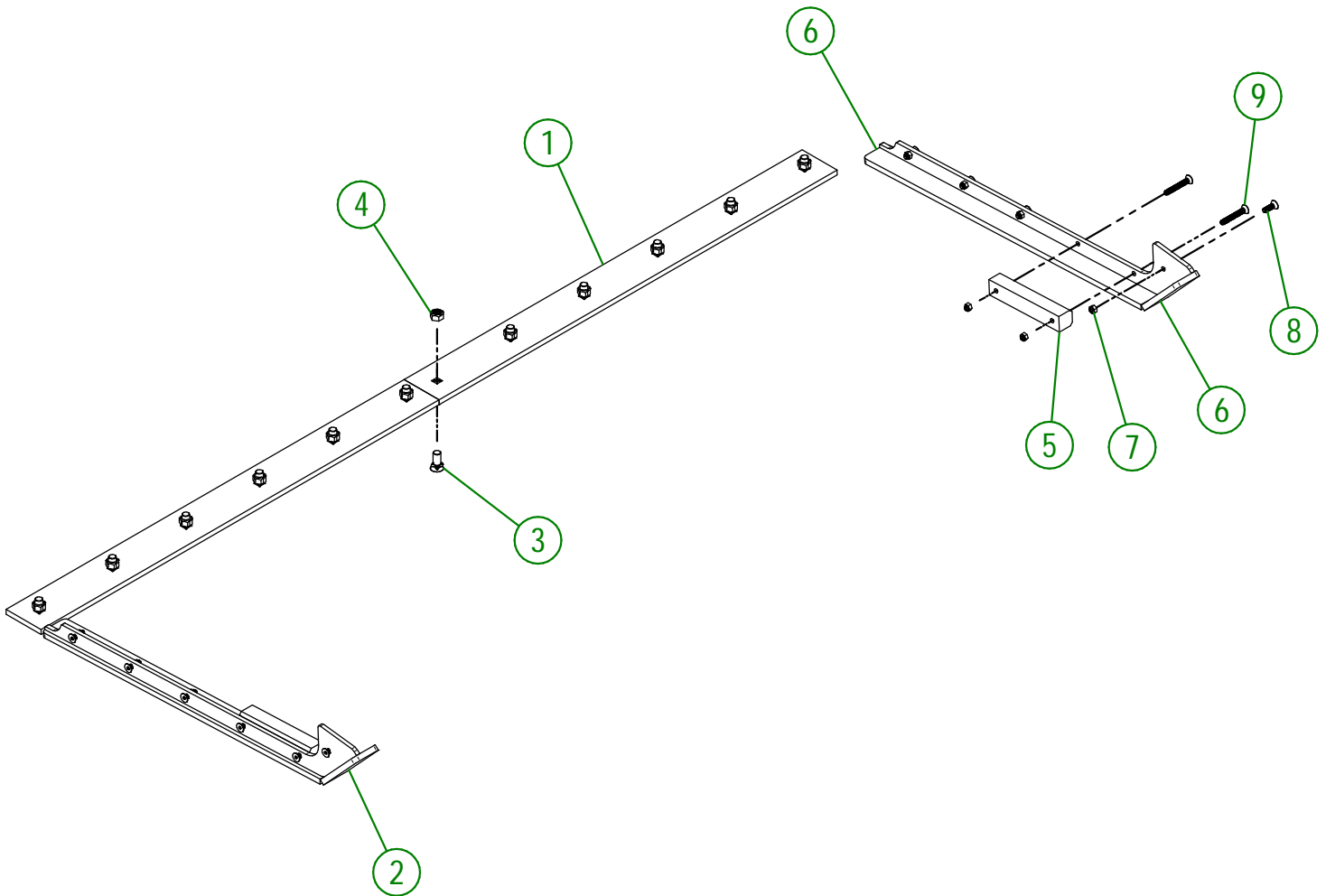
ASSEMBLY : **84-57-0212**
 AUTHOR : J. Houle

84-57-0212

#	PART #	Qty	TITLE
1	84-20-0106	2	ICE SCRAPER
2	NC01-17-0250	12	HEX. BOLT GR2 ZINC 1/2-13 X 1 3/4"
3	NC01-96-0014	12	NYLON-INSERT LOCKNUT ZINC 1/2-13
4	84-50-0706	1	SCRAPER SUPPORT
5	NC01-69-0785	2	STRAIGHT GREASE FITTING 1/4-28
6	01-33-0035	4	FLAT WASHER \varnothing 1 1/4" X \varnothing 49/64" X 10 GA.
7	NC01-96-0017	2	HEX. LOCK NUT NYLO. NC 3/4-10
8	NC13-45-0217	2	HYDRAULIC CYLINDER 4" STROKE
9	NC01-33-0486	2	HEX. BOLT GR8 NC ZINC 3/4-10 X 8"
10	NC01-63-0027	2	HAIRPIN COTTER
11	84-42-0240	4	BLADE WASHER
12	81-01-7600	1	HYDRAULIC HOSE SUPPORT
13	80-01-0020	1	HYDRAULIC HOSE SUPPORT
14	NC01-04-0111	1	CARR. BOLT GR2 ZINC 3/8-16 X 1 1/2"
15	NC01-96-0011	1	NYLON NUT 3/8-16
16	01-01-2485	2	FLAT WASHER 14 GA X 13/16"OD X 25/64" ID
17	NC01-17-0115	2	HEX. BOLT GR2 ZINC 3/8-16 X 1 1/4"
18	NC02-32-0012	2	LOCK WASHER ZINC 3/8"
19	NC02-07-0018	2	HEX. NUT ZINC 3/8-16
20	NC13-45-0242	4	90 DEG ELBOW
21	NC13-45-0289	2	T 3/8 MALE JIC X 3/8 MALE JIC X 3/8 MALE JIC
22	NC17-02-0410	1	HYDRAULIC HOSE 3/8 X 63" 1/4NPT MALE RIG. X 3/8 JIC
23	NC17-02-0410	1	HYDRAULIC HOSE 3/8 X 63" 1/4NPT MALE RIG. X 3/8 JIC
24	NC13-45-0014	2	QUICK COUPLER 1/2-14 NPTF
25	NC17-02-0411	1	HYDRAULIC HOSE 3/8 X 34" LG
26	NC17-02-0411	1	HYDRAULIC HOSE 3/8 X 32" LG
27	NC17-02-0352	1	HYDRAULIC HOSE 3/8 X 37 1/2" LG
28	NC17-02-0409	1	HYDRAULIC HOSE 3/8 X 29.25" LG

84-57-0227

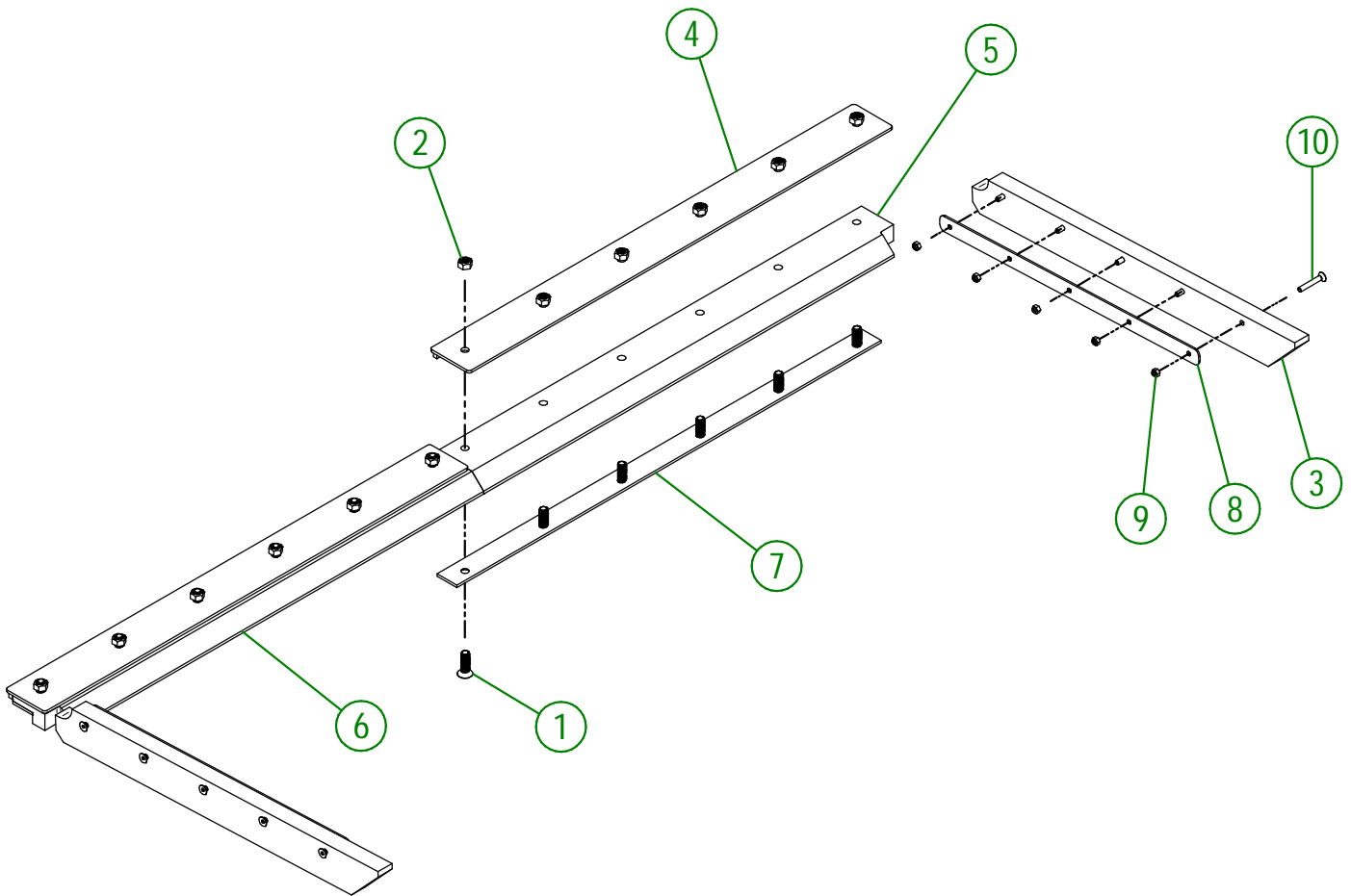
#	PART #	Qty	TITLE
1	84-20-0151	2	KNIFE (#450 HARDNESS STEEL)
2	84-50-0225	1	RIGHT FLOATING SKATE (QT-450)
3	NC01-09-0039	12	PLOW BOLT GR5 5/8-11 X 1 1/2" LG
4	NC01-93-0016	12	LOCK NUT ZINC 5/8-11
5	84-42-0340	2	WEAR STRIP FOR SPRING BLADE
6	84-50-0220	1	LEFT FLOATING SKATE (QT-450)
7	NC01-96-0011	12	NYLON NUT 3/8-16
8	NC02-48-0533	8	STAINLESS FLAT HEAD SOCKET CAP SREW 3/8-16 X 1 1/4"
9	NC02-48-0539	4	STAINLESS FLAT HEAD SOCKET CAP SREW 3/8-16 X 2 3/4"



AGRIMETAL	
SET OF KNIVES (QT-450)	
CREATION : 29/03/22	ASSEMBLY : 84-57-0227
REVISION : 08/12/22	AUTHOR : J. Houle

84-57-0243

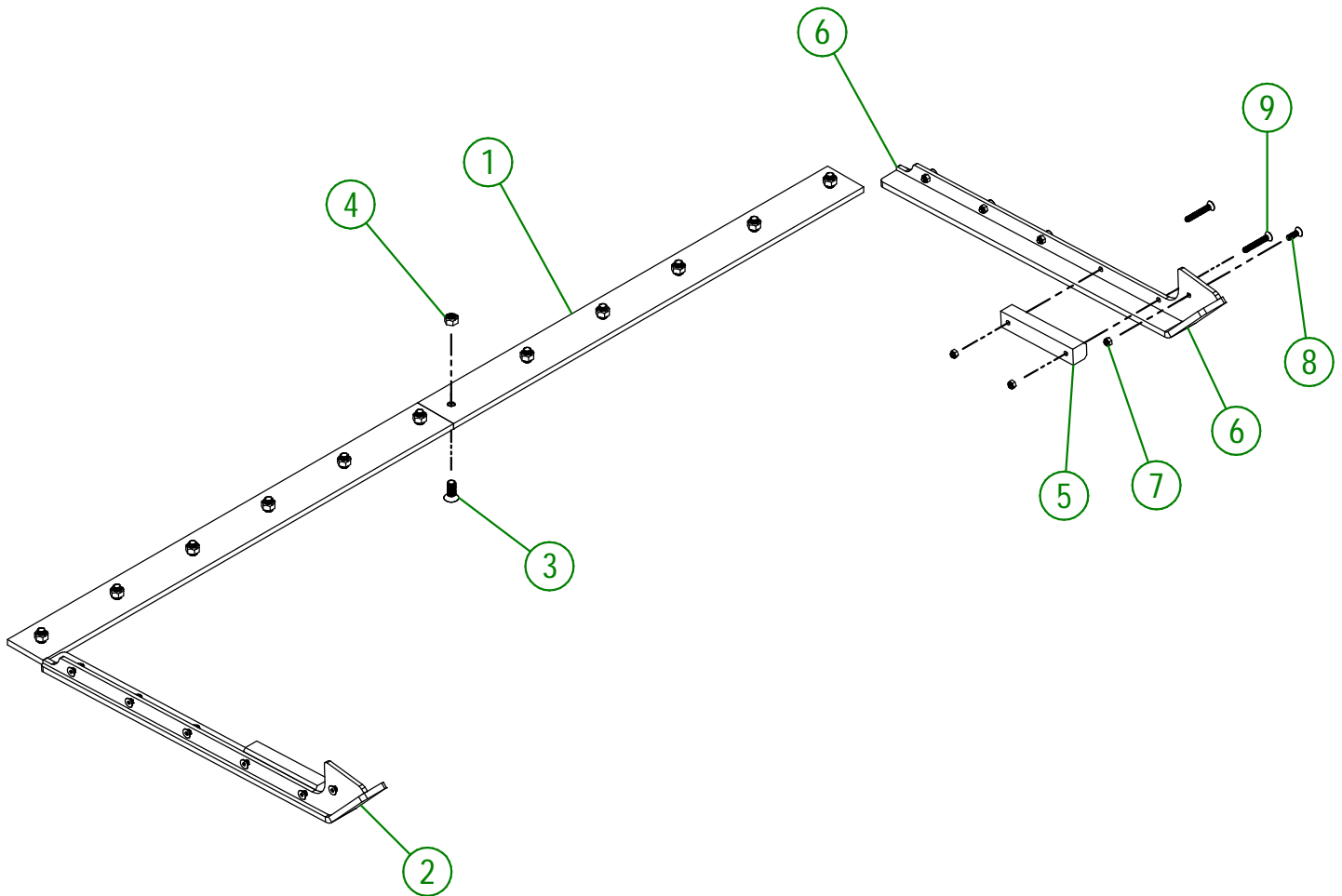
#	PART #	Qty	TITLE
1	NC02-48-0564	12	FLAT HEAD SOCKET CAP SCREW STAINLESS 5/8-11 X 2" LG
2	NC01-93-0016	12	LOCK NUT ZINC 5/8-11
3	84-42-0280	2	FLOATING SKATE (UHMW)
4	84-50-0115	2	KNIFE BRACE (TOP)
5	84-42-0272	1	LEFT KNIFE (UHMW)
6	84-42-0275	1	RIGHT KNIFE (UHMW)
7	84-04-0570	2	KNIFE BRACE (UNDER)
8	84-01-0165	2	FLOATING SKATE BRACE
9	NC01-96-0011	10	NYLON NUT 3/8-16
10	NC02-48-0037	10	FLAT HEAD SOCKET CAP SCREW 3/8-16 X 2 1/2" LG



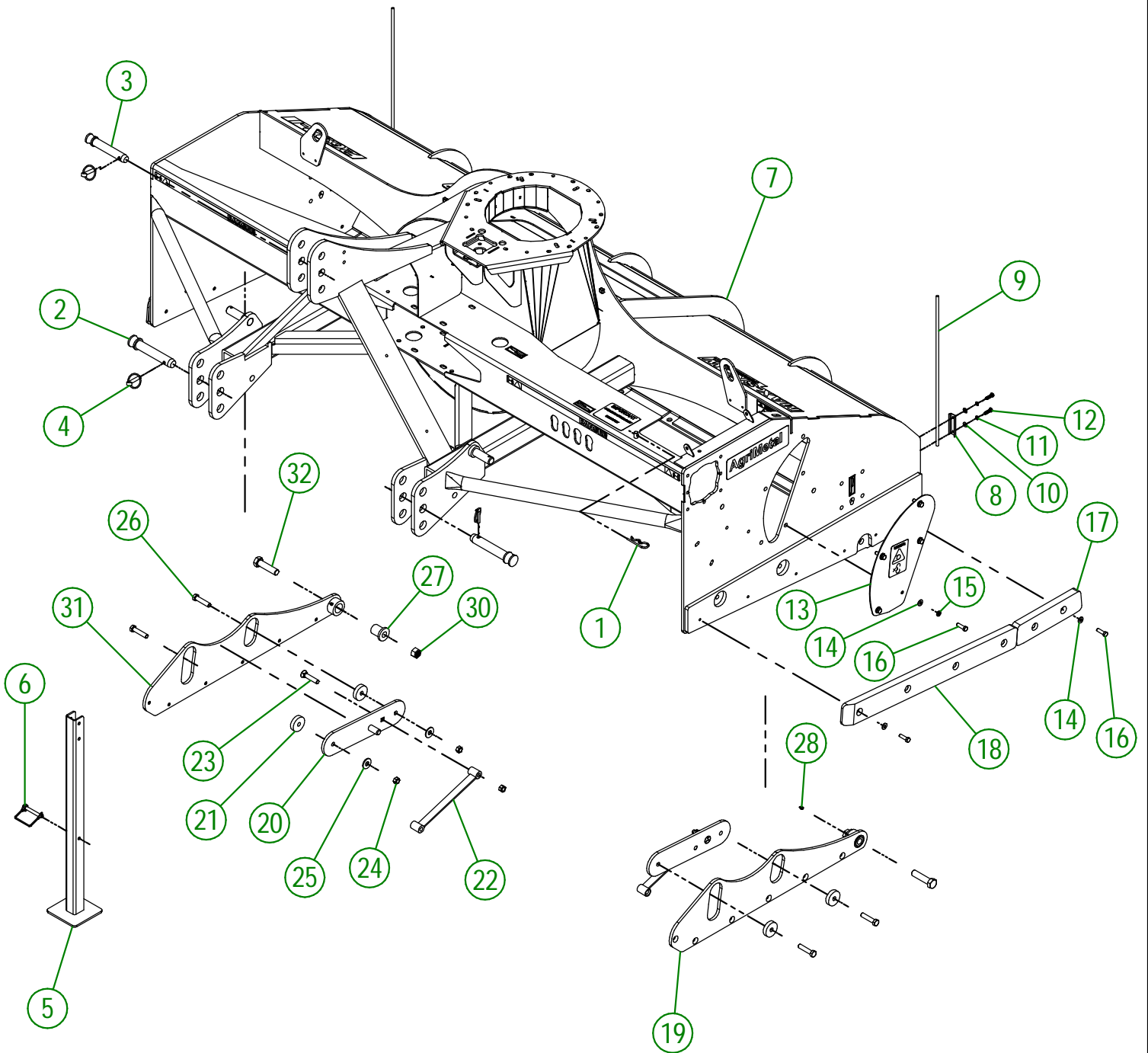
AGRIMETAL	
REGROUPEMENT COUTEAUX UHMW	
CREATION : 29/03/22	ASSEMBLY : 84-57-0243
REVISION : 08/12/22	AUTHOR : J. Houle

84-57-0237

#	PART #	Qty	TITLE
1	84-20-0156	2	KNIFE (STAINLESS STEEL)
2	84-50-0235	1	RIGHT FLOATING SKATE (STAINLESS)
3	NC02-48-0562	12	FLAT HEAD SOCKET CAP SCREW STAINLESS 5/8-11 X 1 1/2"
4	NC01-93-0016	12	LOCK NUT ZINC 5/8-11
5	84-42-0340	2	WEAR STRIP FOR SPRING BLADE
6	84-50-0230	1	LEFT FLOATING SKATE (STAINLESS)
7	NC01-96-0011	12	NYLON NUT 3/8-16
8	NC02-48-0533	8	STAINLESS FLAT HEAD SOCKET CAP SREW 3/8-16 X 1 1/4"
9	NC02-48-0539	4	STAINLESS FLAT HEAD SOCKET CAP SREW 3/8-16 X 2 3/4"



AGRIMETAL	
SET OF KNIVES (STAINLESS)	
CREATION : 29/03/22	ASSEMBLY : 84-57-0237
REVISION : 08/12/22	AUTHOR : J. Houle



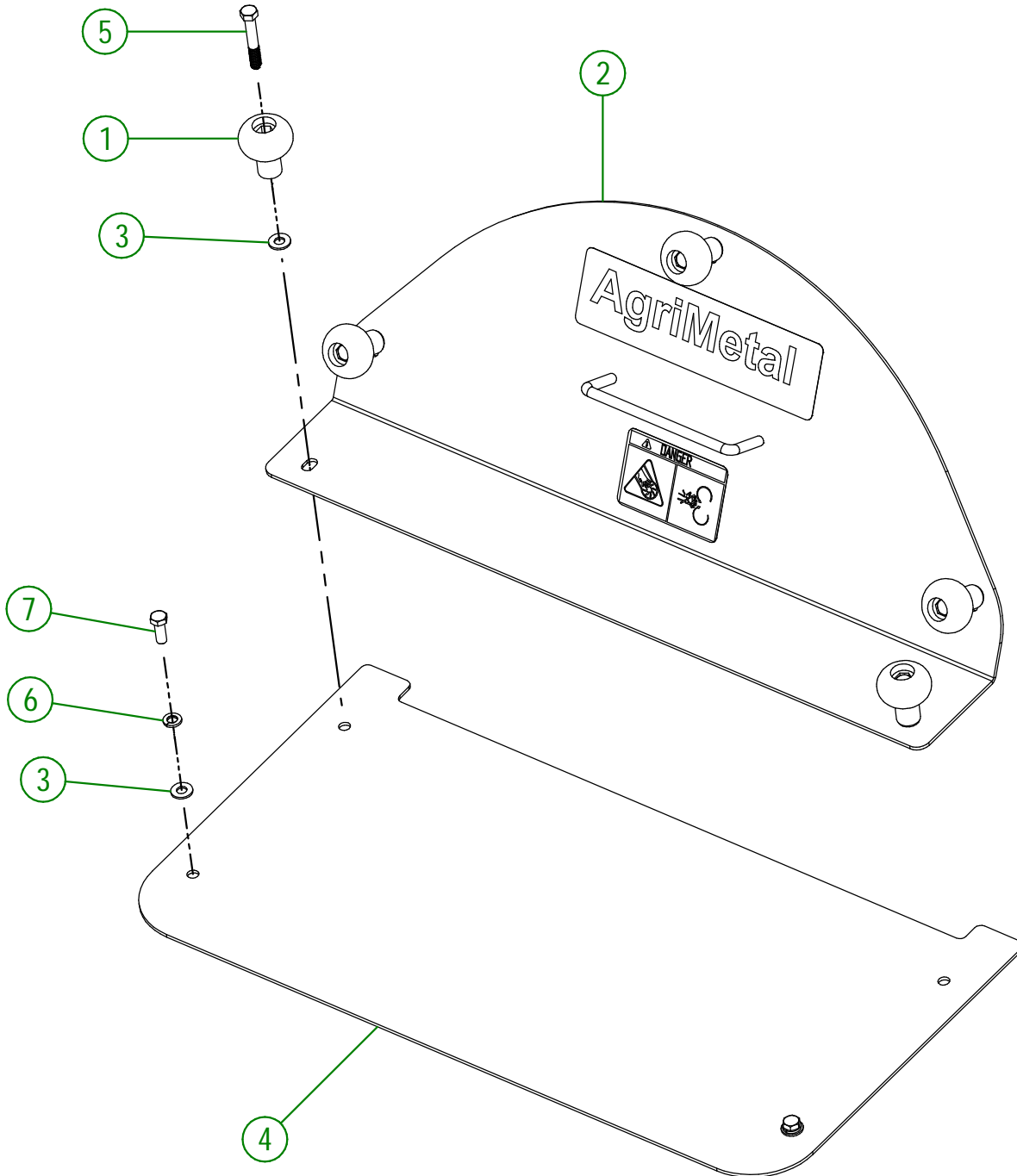
AGRIMETAL	
FRAME GROUP (MS2692-i)	
CREATION : 29/03/22	ASSEMBLY : 84-57-0129
REVISION : 08/12/22	AUTHOR : J. Houle

84-57-0129

#	PART #	Qty	TITLE
1	NC01-63-0026	1	COTTER PIN ZC 5/32" X 3"
2	48-20-0065	2	3 POINT PIN
3	48-20-0060	1	3 POINT PIN
4	NC01-69-1100	3	LINCH PIN 3/8"
5	84-50-0090	1	STAND
6	NC01-69-1306	1	LOCKING PIN 3/8" X 2 1/2" LG
7	84-57-0124	1	FRAME
8	39-01-2440	2	GUIDE ROD CLAMP
9	39-42-0600	2	GUIDE ROD
10	NC02-25-0007	4	WASHER ZINC 0.281 = 9/32
11	NC02-32-0010	4	LOCK WASHER ZINC 1/4"
12	NC01-29-0006	4	HEX. BOLT GR5 NF ZINC 1/4-28 X 1 1/2
13	84-57-0450	1	CHAIN TENSIONER GUARD
14	01-01-2485	17	FLAT WASHER 14 GA X 13/16"OD X 25/64" ID
15	NC02-32-0012	5	LOCK WASHER ZINC 3/8"
16	NC01-17-0115	17	HEX. BOLT GR2 ZINC 3/8-16 X 1 1/4"
17	84-42-0400	2	SIDE PROTECTION
18	84-42-0395	2	SIDE PROTECTION
19	84-50-0210	1	LEFT FLOATING SKATE HOLDER
20	84-50-0435	1	SPRING BLADE HOLDER
21	84-13-2065	4	FLOATING SKATE BUSHING
22	84-50-2005	2	SPRING BLADE
23	NC01-09-0034	2	PLOW BOLT GR5 1/2-13 X 2 1/2" LG
24	NC01-96-0014	6	NYLON-INSERT LOCKNUT ZINC 1/2-13
25	NC02-22-0012	4	WASHER ZINC 1/2 BOLT = 9/16"Ø X 1 3/8" OD
26	NC01-54-1252	4	HEX BOLT. GR2 STAINLESS 1/2-13 X 2 1/4"
27	84-13-2085	2	PIVOT BUSHING
28	NC01-69-0785	2	STRAIGHT GREASE FITTING 1/4-28
29	84-50-0430	1	SPRING BLADE HOLDER
30	NC01-93-0017	2	HEX. LOCKNUT STEEL NC Z 3/4-10
31	84-50-0215	1	RIGHT FLOATING SKATE HOLDER
32	NC01-25-0565	2	HEX. BOLT GR5 ZINC 3/4-10 X 3" LG.

84-57-0137

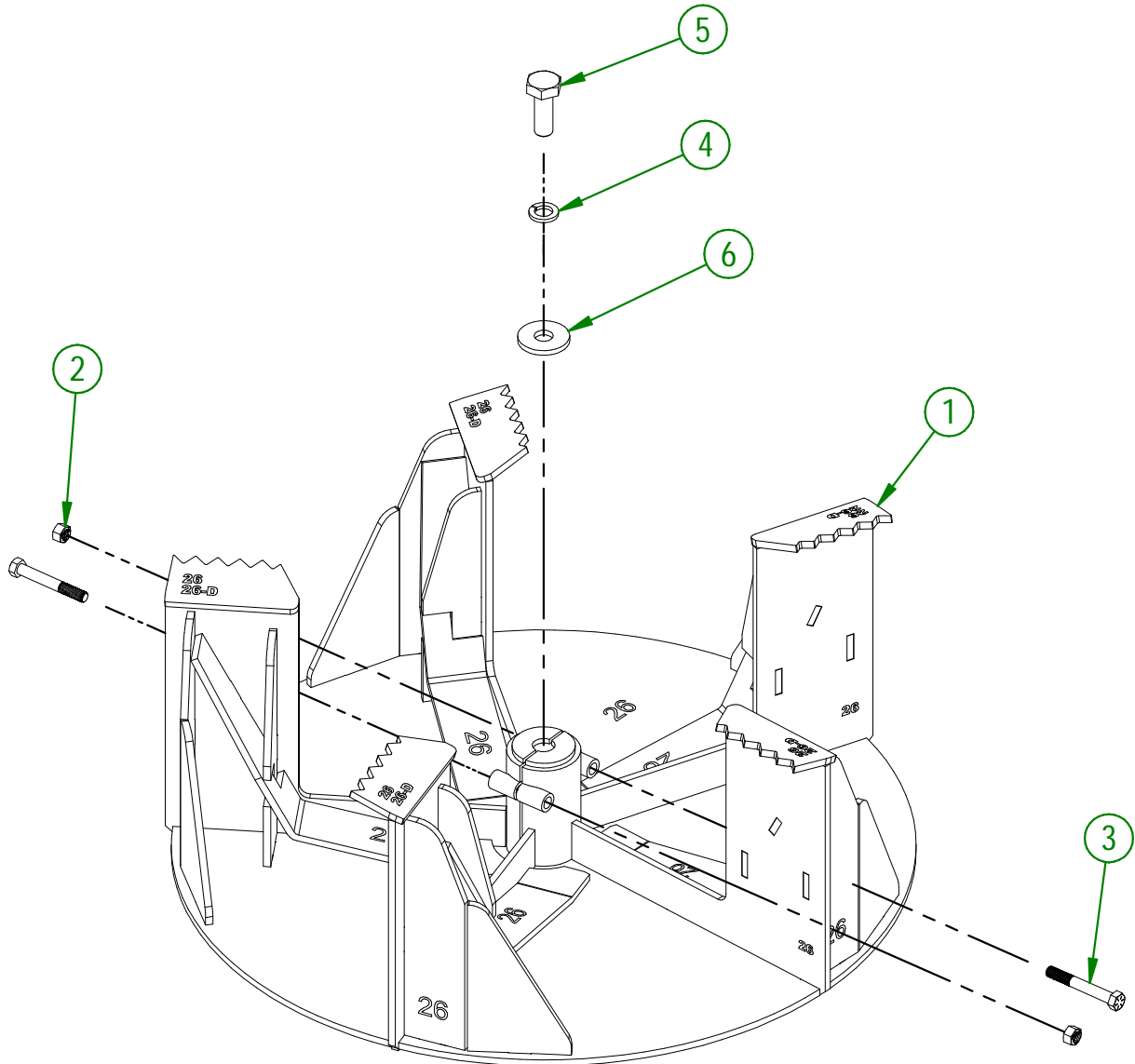
#	PART #	Qty	TITLE
1	NC17-46-0018	5	HANDLE KNOB
2	84-57-0177	1	IMPELLER ACCESS DOOR
3	01-01-2485	7	FLAT WASHER 14 GA X 13/16"OD X 25/64" ID
4	84-01-0014	1	IMPELLER ACCESS DOOR
5	NC01-17-0120	5	HEX.BOLT GR2 NC ZINC 3/8-16 X 2 1/2
6	NC02-32-0012	2	LOCK WASHER ZINC 3/8"
7	NC01-17-0114	2	HEX. BOLT GR2 ZINC 3/8-16 X 1"



AGRIMETAL	
IMPELLER ACCESS DOOR GROUP	
CREATION : 29/03/22	ASSEMBLY : 84-57-0137
REVISION : 29/03/22	AUTHOR : J. Houle

80-57-0426

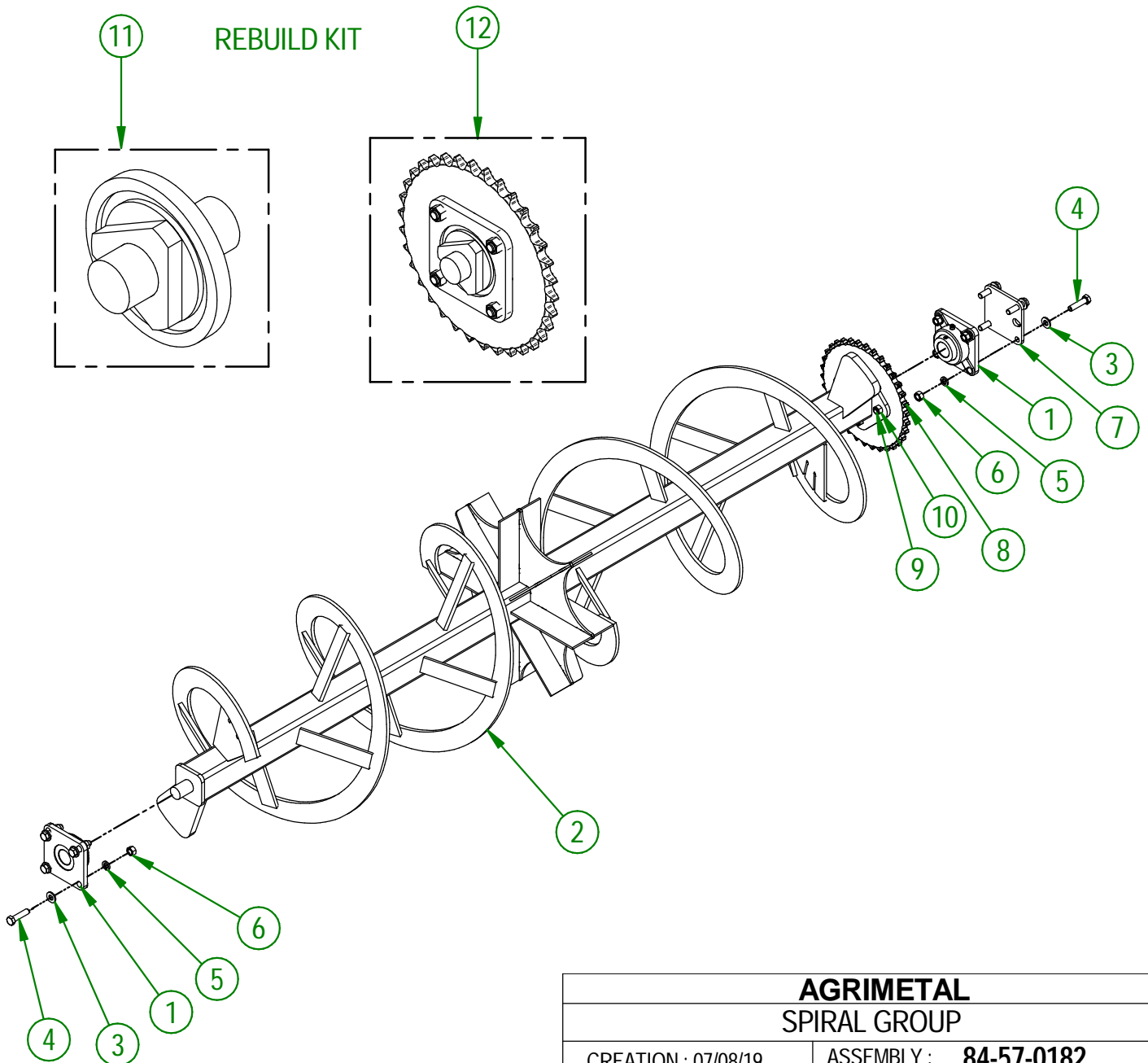
#	PART #	Qty	TITLE
1	80-50-0050	1	IMPELLER
2	NC01-94-0011	2	LOCK NUT 3/8-24
3	NC01-37-0121	2	HEX. BOLT GR8 ZINC 3/8-24 X 2 3/4" LG
4	NC02-32-0016	1	LOCK WASHER ZINC 5/8"
5	NC01-25-0395	1	HEX. BOLT GR5 ZINC 5/8-11 X 1 3/4" LG
6	80-04-0185	1	WASHER



AGRIMETAL	
IMPELLER GROUP	
CREATION : 26/01/22	ASSEMBLY : 80-57-0426
REVISION : 30/03/22	AUTHOR : F.HÉLIE

84-57-0182

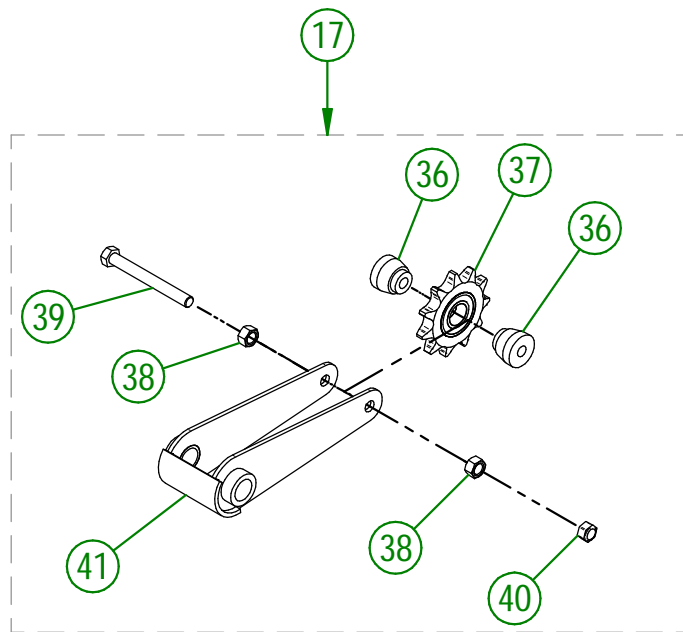
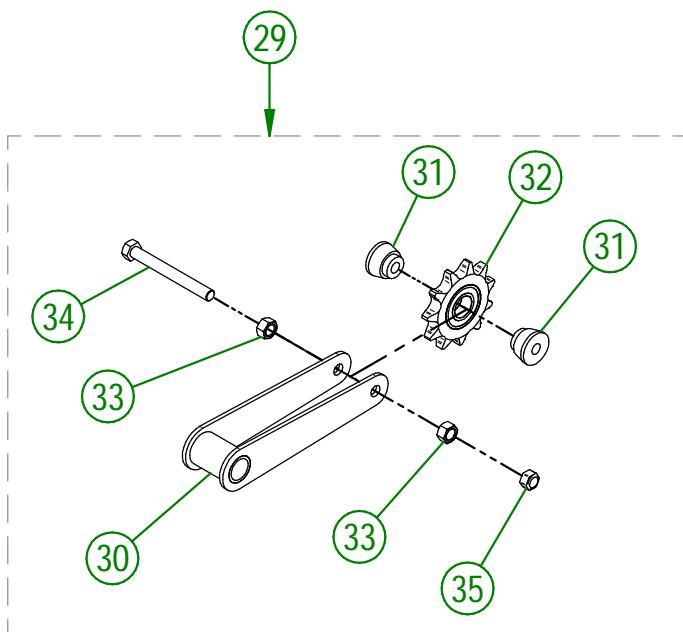
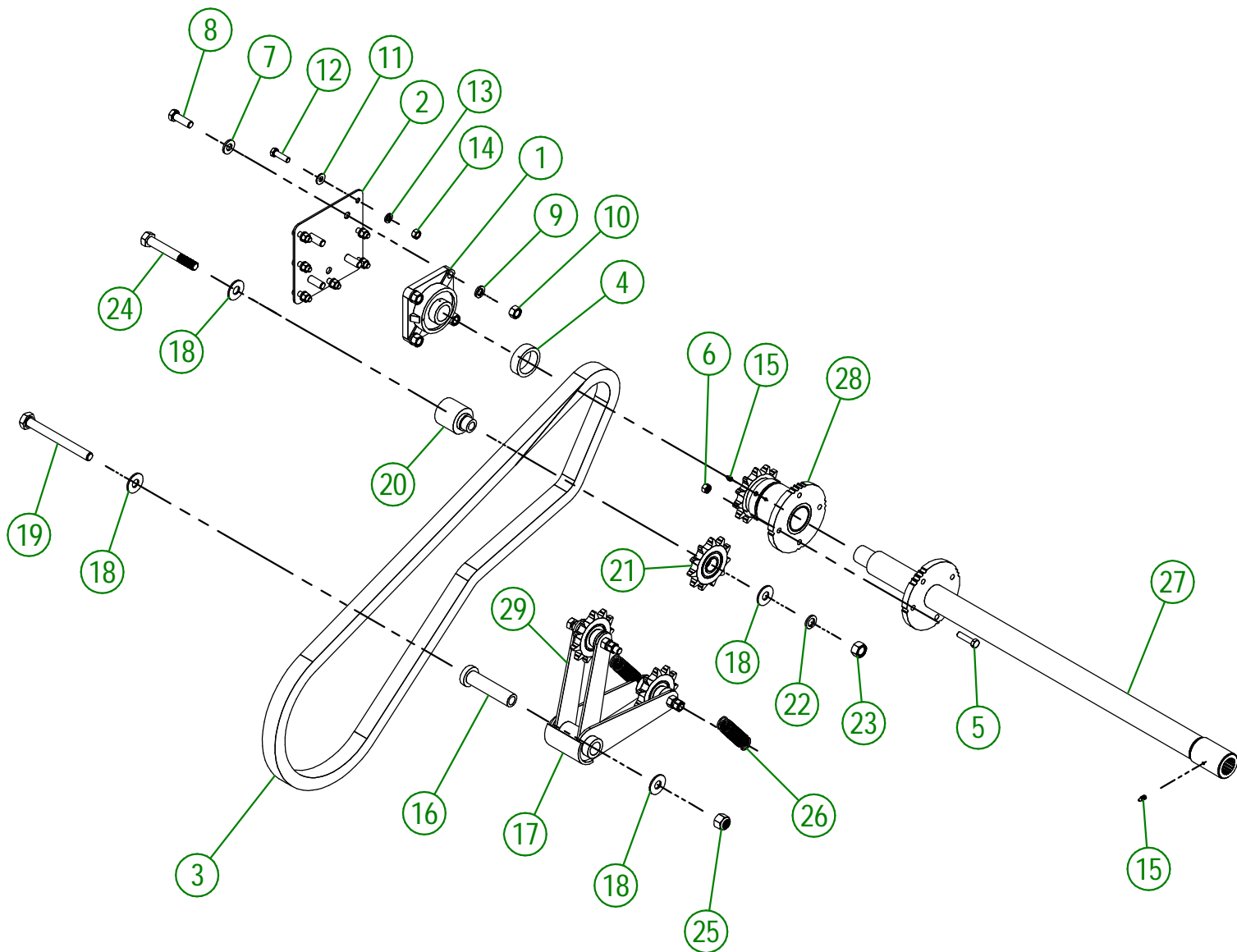
#	PART #	Qty	TITLE
1	NCI4-75-0160	2	FLANGE BEARING UCF207-20 1 1/4" ID
2	84-50-0172	1	SPIRAL
3	NC02-25-0011	8	WASHER SAE ZINC 17/32 ID
4	NC01-17-0251	8	HEX. BOLT GR2 ZINC 1/2-13 X 2"
5	NC02-32-0014	8	LOCK WASHER ZINC 1/2"
6	NC02-07-0020	8	HEX. NUT ZINC 1/2-13
7	84-04-0450	1	SPIRAL BEARING SHIM
8	NCI4-55-0275	1	80A34 SPROCKET
9	NC01-29-0249	4	HEX. BOLT GR5 ZINC 1/2-20 X 1 1/2
10	NC01-94-0013	4	JAM NUT 1/2-20
11	102-51-1070	1	SPIRAL SHAFT
12	84-51-0360	1	SPIRAL SHAFT (SPROCKET)



AGRIMETAL
SPIRAL GROUP

CREATION : 07/08/19
REVISION : 04/07/23

ASSEMBLY : **84-57-0182**
AUTHOR : F.HÉLIE



AGRIMETAL	
SPIRAL DRIVE TRAIN GROUP	
CREATION : 30/03/22	ASSEMBLY : 84-57-0132
REVISION : 30/03/22	AUTHOR : J. Houle

84-57-0132

#	PART #	Qty	TITLE
1	NC14-75-0024	1	FLANGE BEARING 4 HOLES UCF207-20 1 1/4" DIA.
2	84-01-0905	1	COUNTER SHAFT BEARING SUPPORT
3	84-37-1007	1	CHAIN #80
4	84-24-0005	1	SPIRAL DRIVE TRAIN BUSHING
5	NC01-25-0116	1	HEX. BOLT GR5 ZINC 3/8-16 X 1 1/2"
6	NC01-93-0011	1	LOCK NUT 3/8-16
7	NC02-25-0011	4	WASHER SAE ZINC 17/32 ID
8	NC01-17-0249	4	HEX. BOLT GR2 ZINC 1/2-13 X 1 1/2"
9	NC02-32-0014	4	LOCK WASHER ZINC 1/2"
10	NC02-07-0020	4	HEX. NUT ZINC 1/2-13
11	01-01-2485	7	FLAT WASHER 14 GA X 13/16"OD X 25/64" ID
12	NC01-17-0115	7	HEX. BOLT GR2 ZINC 3/8-16 X 1 1/4"
13	NC02-32-0012	7	LOCK WASHER ZINC 3/8"
14	NC02-07-0018	7	HEX. NUT ZINC 3/8-16
15	NC01-69-0785	2	STRAIGHT GREASE FITTING 1/4-28
16	84-13-0025	1	TENSIONER PIVOT BUSHING
17	84-55-1325	1	CHAIN TENSIONER ASSEMBLY
18	NC02-22-0013	4	WASHER ZINC 5/8 ID X 1 1/2 OD
19	NC01-25-0564	1	HEX. BOLT GR5 ZINC 5/8-11 X 6" LG
20	81-21-0002	1	CHAIN TENSIONER BUSHING
21	81-55-0005	1	CHAIN TENSIONER SPROCKET
22	NC02-32-0016	1	LOCK WASHER ZINC 5/8"
23	NC02-10-0022	1	HEX. NUT ZINC 5/8-18
24	NC01-17-0406	1	HEX. BOLT GR2 ZINC 5/8-11 X 4 1/2"
25	NC01-96-0016	1	NYLON INSERT NUT 5/8-11
26	NC13-85-0061	2	SPRING
27	84-50-0166	1	SPIRAL DRIVE TRAIN
28	83-55-7000	1	SPIRAL DRIVE TRAIN SPROCKET
29	84-55-1320	1	CHAIN TENSIONER ASSEMBLY

84-55-1320

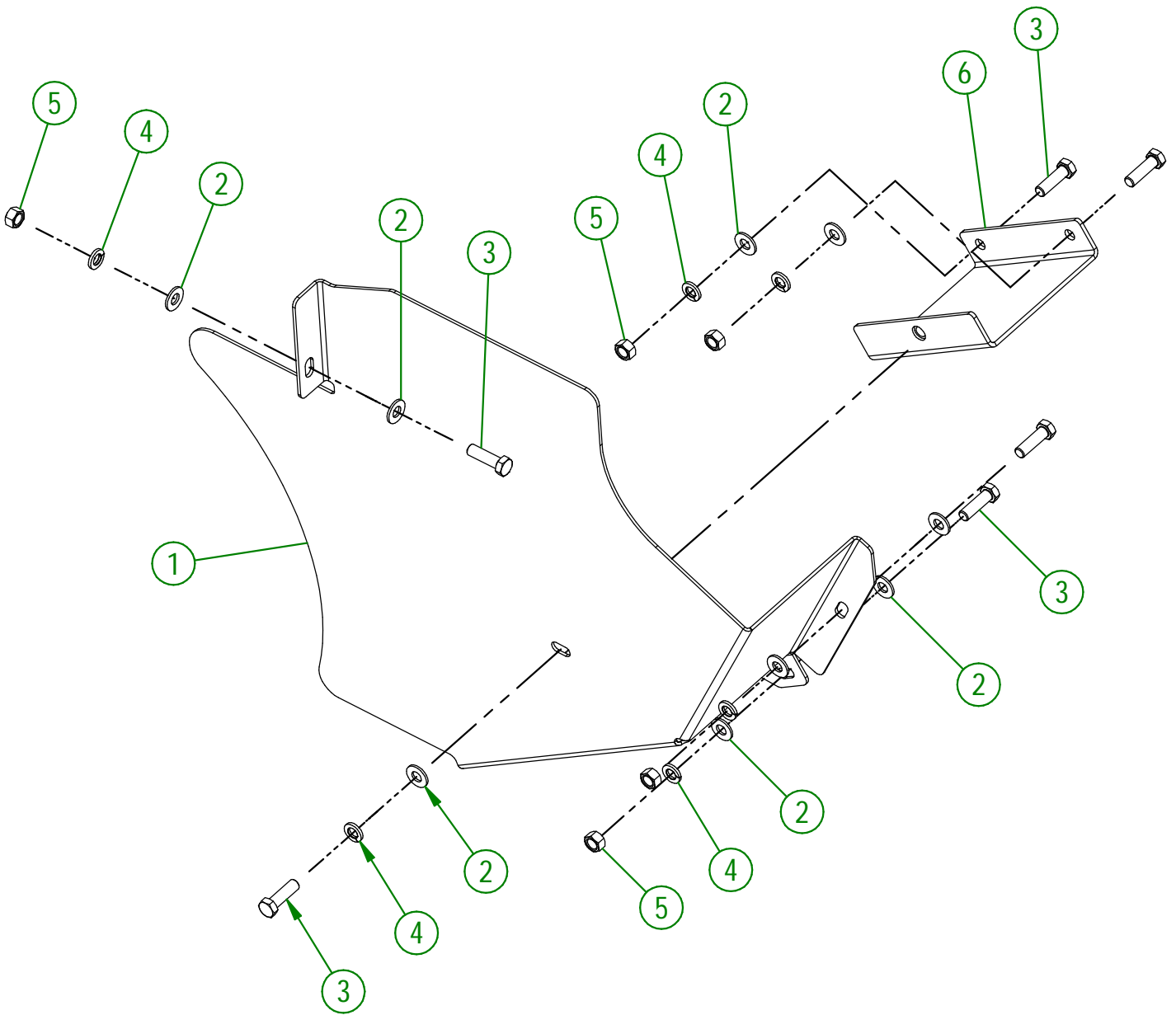
#	PART #	Qty	TITLE
30	84-50-0485	1	CHAIN TENSIONER
31	84-21-0020	2	CHAIN TENSIONER BUSHING
32	81-55-0005	1	CHAIN TENSIONER SPROCKET
33	NC02-07-0020	2	HEX. NUT ZINC 1/2-13
34	NC01-25-0563	1	HEX. BOLT GR5 1/2-13 X 4 1/2" FULL THREAD
35	NC01-96-0014	1	NYLON-INSERT LOCKNUT ZINC 1/2-13

84-55-1325

#	PART #	Qty	TITLE
36	84-21-0015	2	CHAIN TENSIONER BUSHING
37	81-55-0005	1	CHAIN TENSIONER SPROCKET
38	NC02-07-0020	2	HEX. NUT ZINC 1/2-13
39	NC01-25-0563	1	HEX. BOLT GR5 1/2-13 X 4 1/2" FULL THREAD
40	NC01-96-0014	1	NYLON-INSERT LOCKNUT ZINC 1/2-13
41	84-50-0487	1	CHAIN TENSIONER

84-57-0285

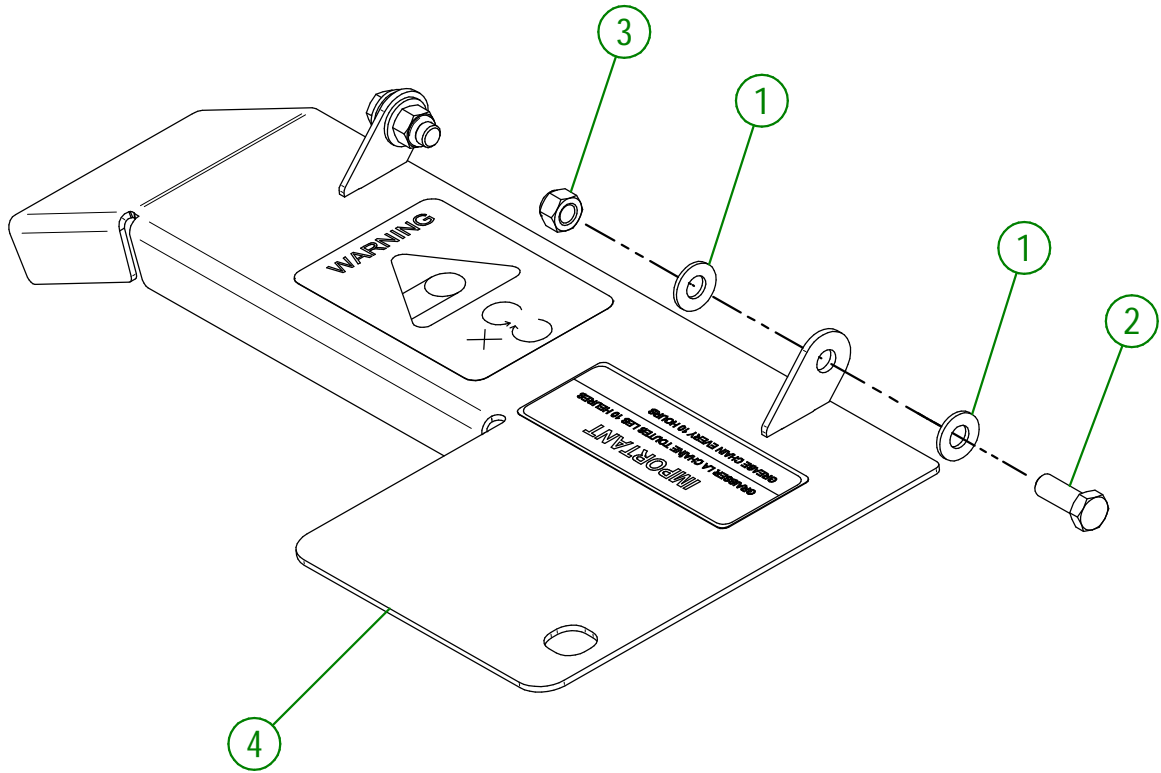
#	PART #	Qty	TITLE
1	84-01-0160	1	CHAIN GUARD
2	01-01-2485	9	FLAT WASHER 14 GA X 13/16"OD X 25/64" ID
3	NC01-17-0115	6	HEX. BOLT GR2 ZINC 3/8-16 X 1 1/4"
4	NC02-32-0012	6	LOCK WASHER ZINC 3/8"
5	NC02-07-0018	5	HEX. NUT ZINC 3/8-16
6	84-50-0490	1	CHAIN GUARD HOLDER



AGRIMETAL	
CHAIN GUARD GROUP	
CREATION : 30/03/22	ASSEMBLY : 84-57-0285
REVISION : 30/03/22	AUTHOR : J. Houle

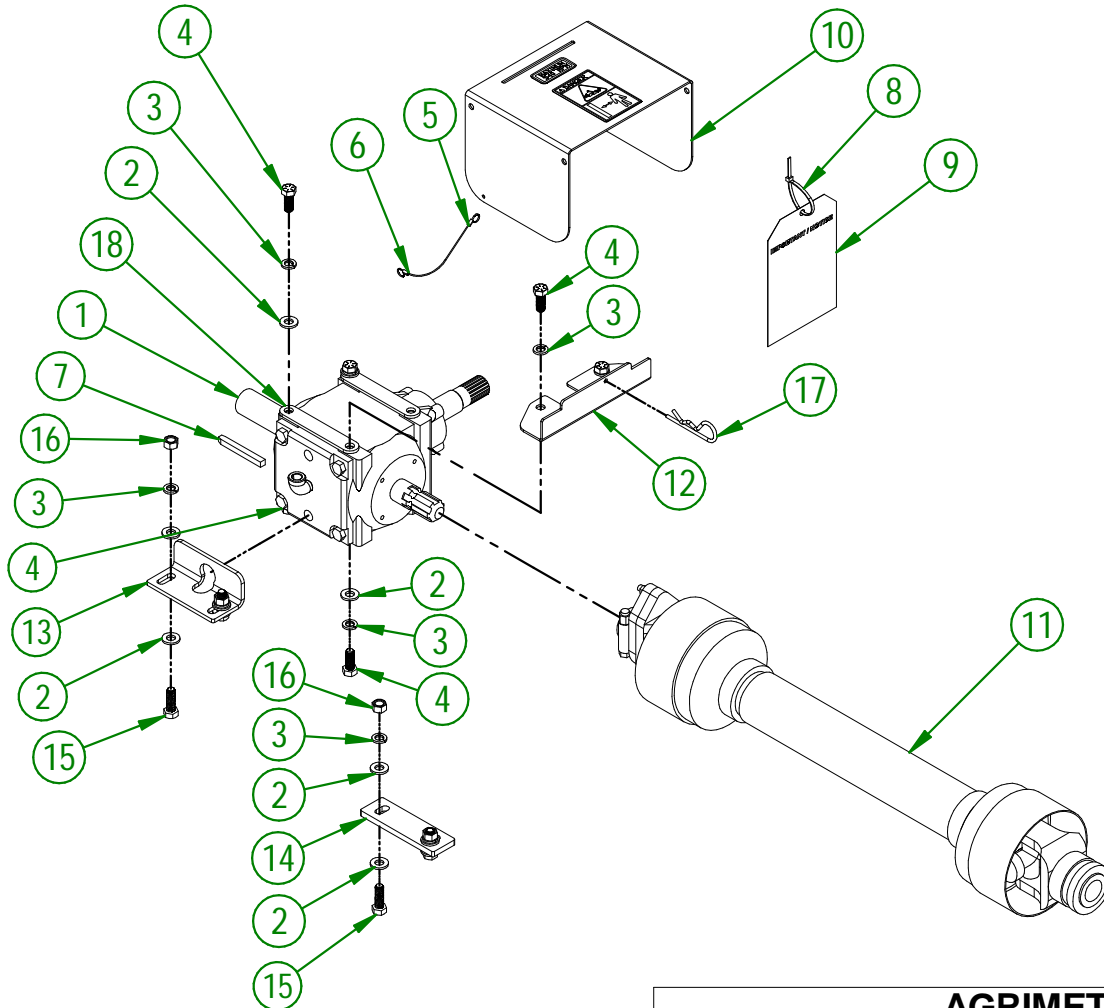
84-57-0161

#	PART #	Qty	TITLE
1	01-01-2485	4	FLAT WASHER 14 GA X 13/16"OD X 25/64" ID
2	NC01-17-0114	2	HEX. BOLT GR2 ZINC 3/8-16 X 1"
3	NC01-96-0011	2	NYLON NUT 3/8-16
4	84-57-0156	1	CHAIN GUARD



AGRIMETAL	
CHAIN GUARD GROUP	
CREATION : 30/03/22	ASSEMBLY : 84-57-0161
REVISION : 30/03/22	AUTHOR : J. Houle

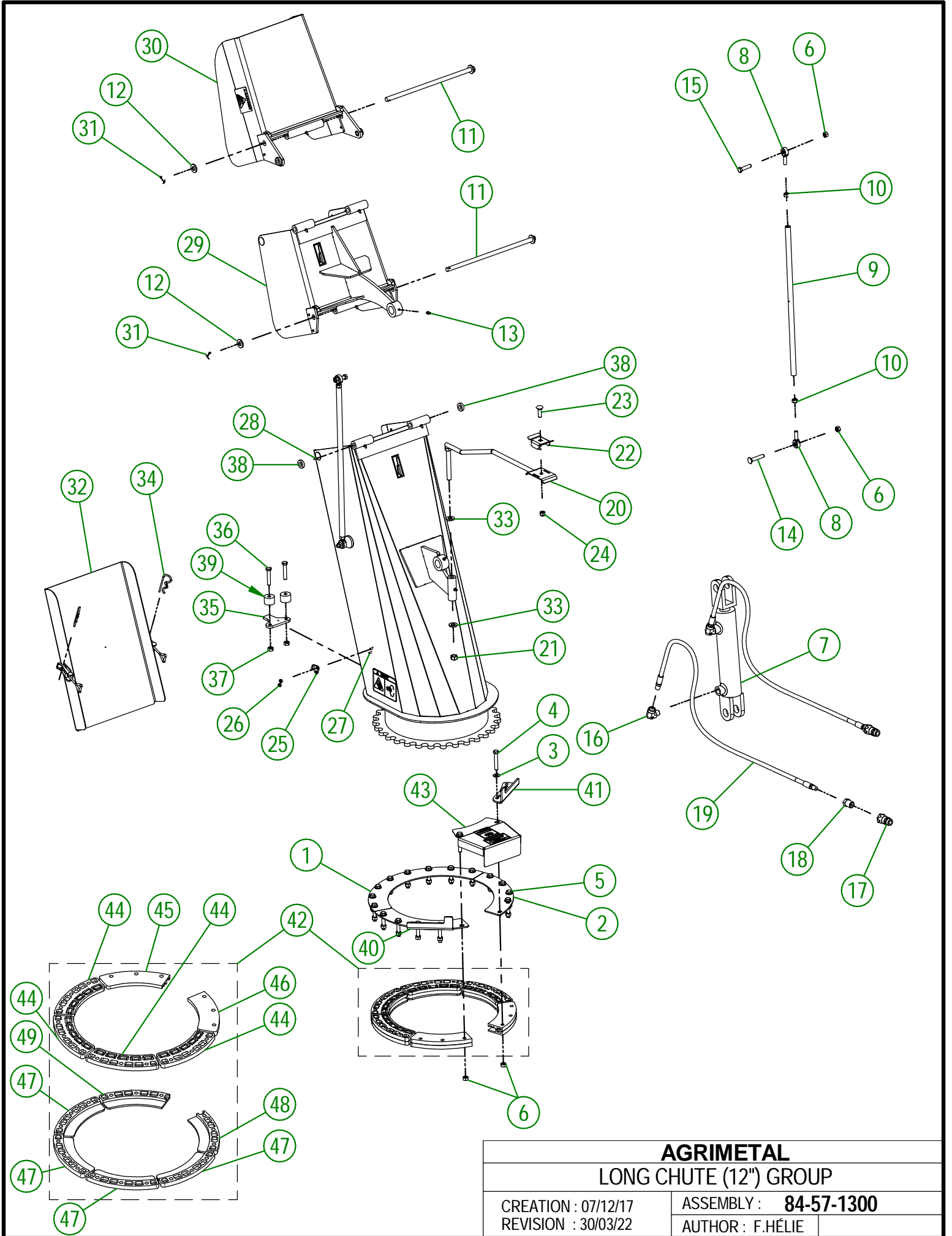
#	PART #	Qty	TITLE
1	84-55-0010	1	GEARBOX
2	NC02-25-0011	14	WASHER SAE ZINC 17/32 ID
3	NC02-32-0014	12	LOCK WASHER ZINC 1/2"
4	NC01-33-0248	8	HEX. BOLT .GR8 NC ZINC 1/2-13 X 1 1/4"
5	80-41-0135	1	PTO GUARD STEEL CABLE
6	NC01-64-0005	2	OVAL SLEEVE (ALUMINUM)
7	80-41-0900	1	IMPELLER KEY
8	NC13-25-0019	1	BLACK TIE RAP
9	NC13-50-0110	1	IMPORTANT/NOTICE PTO POSTER
10	81-57-0040	1	PTO GUARD
11	80-34-0030	1	PTO SHAFT T60
12	84-01-0095	1	PTO GUARD SUPPORT
13	80-04-0485	1	GEARBOX BRACE
14	80-04-0480	1	GEARBOX BRACE
15	NC01-33-0249	4	CAP SCREW GR8 NC ZINC 1/2-13 X 1 1/2" LG
16	NC02-07-0020	4	HEX. NUT ZINC 1/2-13
17	NC01-63-0027	1	HAIRPIN COTTER
18	84-04-0660	2	GEARBOX SPACER



AGRIMETAL
GEARBOX GROUPING

CREATION : 06/12/17
REVISION : 25/05/22

ASSEMBLY : **84-57-0100**
AUTHOR : F.HÉLIE



AGRIMETAL

LONG CHUTE (12") GROUP

CREATION : 07/12/17
 REVISION : 30/03/22

ASSEMBLY : **84-57-1300**
 AUTHOR : F.HÉLIE

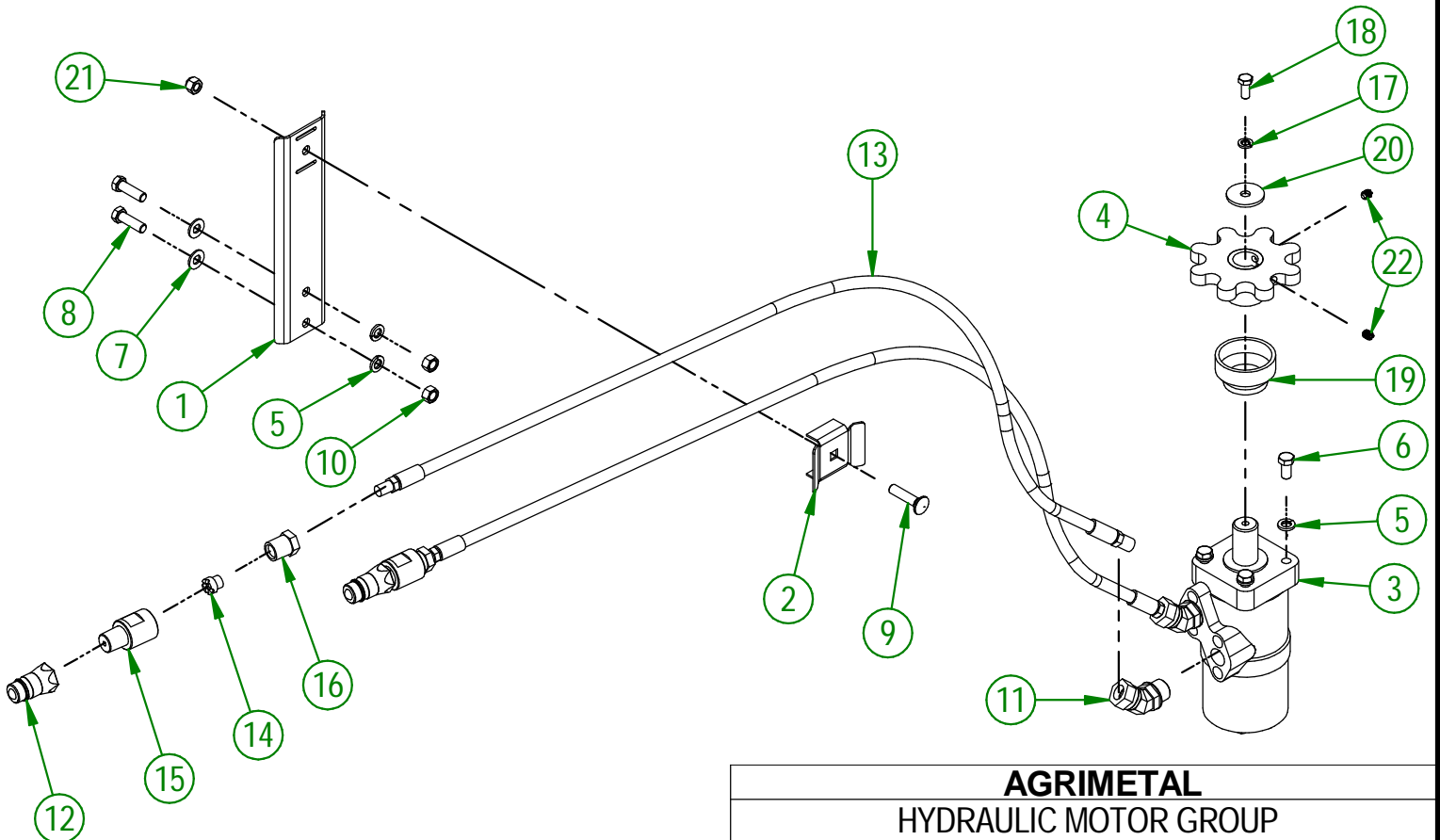
84-57-1300

#	PART #	Qty	TITLE
1	80-01-1015	1	BRACE
2	80-01-1010	2	BRACE
3	01-01-2485	18	FLAT WASHER 14 GA X 13/16"OD X 25/64" ID
4	NC01-17-0119	4	HEX. BOLT GR2 ZINC 3/8-16 X 2 1/4"
5	NC01-17-0118	14	HEX. BOLT GR2 ZINC 3/8-16 X 2"
6	NC01-93-0011	22	LOCK NUT 3/8-16
7	NC13-45-0209	1	HYDRAULIC CYLINDER 6"
8	NC01-67-0304	4	ROD END 3/8-24
9	48-13-0600	2	CHUTE ROD (DOUBLE)
10	NC02-10-0018	4	NUT 3/8-24
11	80-20-0260	2	PIVOT
12	NC02-25-0011	4	WASHER SAE ZINC 17/32 ID
13	NC01-69-0785	9	STRAIGHT GREASE FITTING 1/4-28
14	NC01-07-0113	2	CARR. BOLT GR5 ZINC 3/8-16 X 2" LG
15	NC01-25-0116	2	HEX. BOLT GR5 ZINC 3/8-16 X 1 1/2"
16	NC13-45-0038	2	ELBOW 90 3/8 FEM. NPT X 3/8 MALE NPT
17	NC13-45-0369	2	QUICK COUPLER 1/2-14 NPTF
18	NC13-45-0153	2	HEX. REDUCER 1/4 NPT X 1/2 NPT
19	NC17-02-0329	2	HYDRAULIC HOSE (87" LG)
20	48-50-1030	1	HYDRAULIC HOSE SUPPORT
21	NC01-96-0014	1	NYLON-INSERT LOCKNUT ZINC 1/2-13
22	48-01-7530	1	HYDRAULIC HOSE SUPPORT
23	NC01-04-0110	1	CARR. BOLT GR2 ZINC 3/8-16 X 1 1/4"
24	NC01-96-0011	1	NYLON NUT 3/8-16
25	NC01-63-0052	2	ADJUSTABLE LATCH (STRIKE)
26	NC01-96-0006	4	NYLON NUT ZINC 3/16
27	NC02-40-0080	4	MACHINE SCREWS SQUARE SOCKET #10-24 X 1/2" LG
28	84-57-1305	1	CHUTE (BOTTOM SECTION)
29	80-57-0312	1	CHUTE (MIDDLE SECTION)
30	80-57-0322	1	CHUTE (TOP SECTION)
31	NC01-69-0139	4	COTTER PIN ZINC 1/8" X 3/4"
32	84-57-1310	1	CHUTE DOOR
33	01-01-0925	2	WASHER
34	NC01-63-0026	2	COTTER PIN ZC 5/32" X 3"
35	84-04-0170	1	STOPPER
36	NC01-37-0118	2	HEX. BOLT GR8 ZINC 3/8-24 X 2"
37	NC01-94-0011	2	LOCK NUT 3/8-24
38	NC13-15-0334	2	PIVOT WASHER
39	81-21-0040	2	ADJUSTABLE STOPPER SPACER
40	84-04-0175	1	ADJUSTABLE STOPPER
41	84-04-0177	1	ADJUSTABLE STOPPER
42	84-57-1330	1	GUIDE CHUTE GROUP
43	80-57-0550	1	SPROCKET GUARD GROUP "STICKER INCLUDED"

84-57-1330

#	PART #	Qty	TITLE
44	NC17-46-0028	4	CHUTE GUIDE (TOP)
45	80-42-0320	1	CHUTE GUIDE (TOP)
46	80-42-0315	1	CHUTE GUIDE (TOP)
47	NC17-46-0027	4	CHUTE GUIDE (UNDER)
48	80-42-0305	1	CHUTE GUIDE (UNDER)
49	80-42-0310	1	CHUTE GUIDE (UNDER)

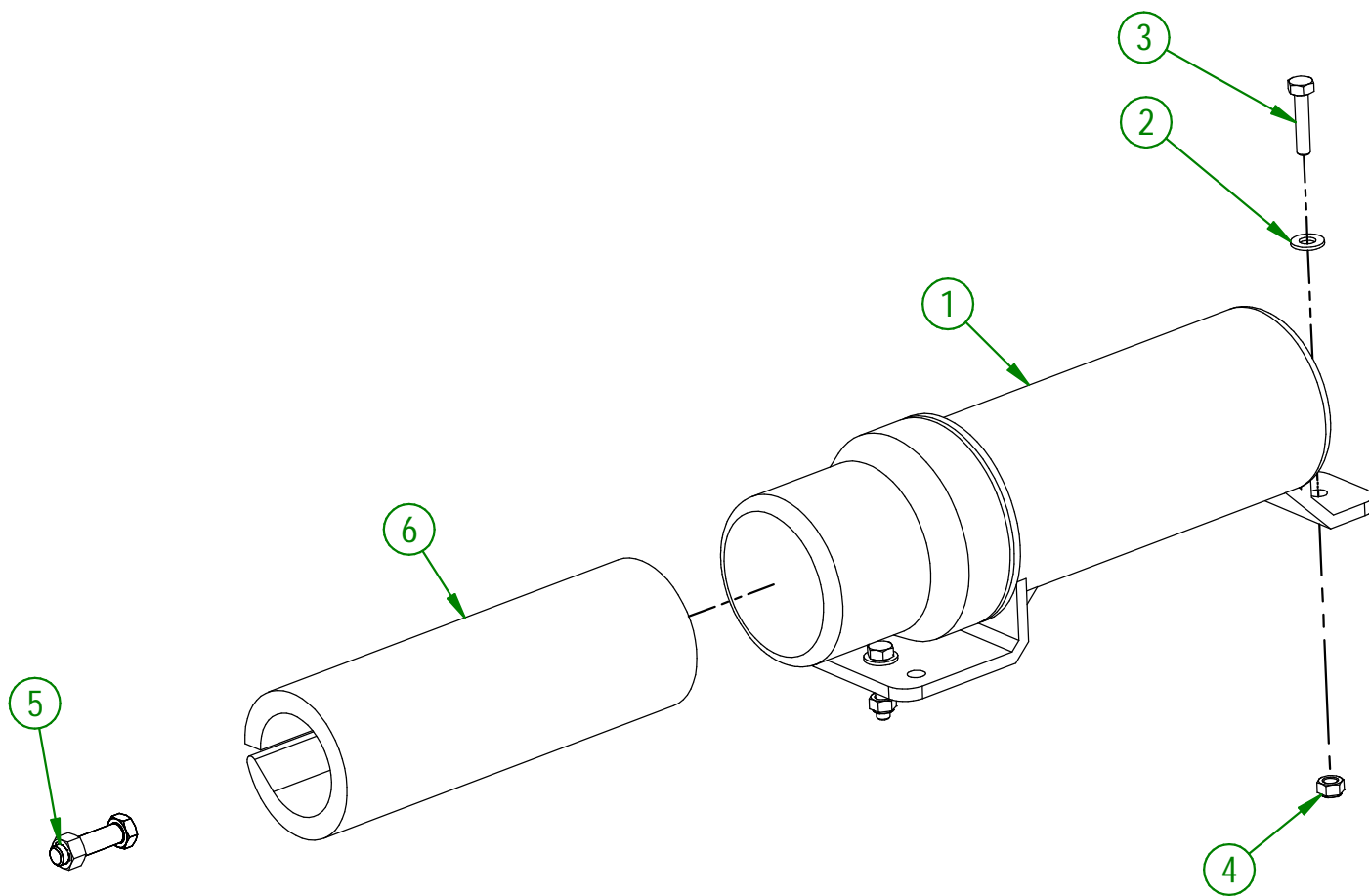
#	PART #	Qty	TITLE
1	81-01-7600	1	HYDRAULIC HOSE SUPPORT
2	80-01-0020	1	HYDRAULIC HOSE SUPPORT
3	NC14-45-0156	1	HYDRAULIC MOTOR
4	48-50-1025	1	HYDRAULIC ENGINE SPROCKET
5	NC02-32-0012	6	LOCK WASHER ZINC 3/8"
6	NC01-17-0112	4	HEX. BOLT GR2 ZINC 3/8-16 X 3/4"
7	01-01-2485	2	FLAT WASHER 14 GA X 13/16"OD X 25/64" ID
8	NC01-17-0115	2	HEX. BOLT GR2 ZINC 3/8-16 X 1 1/4"
9	NC01-04-0111	1	CARR. BOLT GR2 ZINC 3/8-16 X 1 1/2"
10	NC02-07-0018	2	HEX. NUT ZINC 3/8-16
11	NC13-45-0367	2	45°-7/8-14 MALE O RING X 1/2 FEM.TOUR.NPT PT
12	NC13-45-0369	2	QUICK COUPLER 1/2-14 NPTF
13	NC17-02-0328	2	HYDRAULIC HOSE (63" LG)
14	80-13-0100	2	HYDRAULIC RESTRICTOR
15	NC13-45-0378	2	HYDRAULIC RESTRICTOR BUSHING
16	80-45-0000	2	HEX. REDUCER 1/4 NPT X 1/2 NPT
17	NC02-32-0011	1	LOCK WASHER ZINC 5/16"
18	NC01-45-0184	1	HEX. BOLT GR8.8 ZINC 8MM X 20MM
19	NC17-46-0031	1	HYDRAULIC MOTOR BUSHING
20	01-33-0010	1	WASHER
21	NC01-96-0011	1	NYLON NUT 3/8-16
22	NC02-44-0103	2	SET SCREW 5/16-18 X 3/8"

**AGRIMETAL****HYDRAULIC MOTOR GROUP**

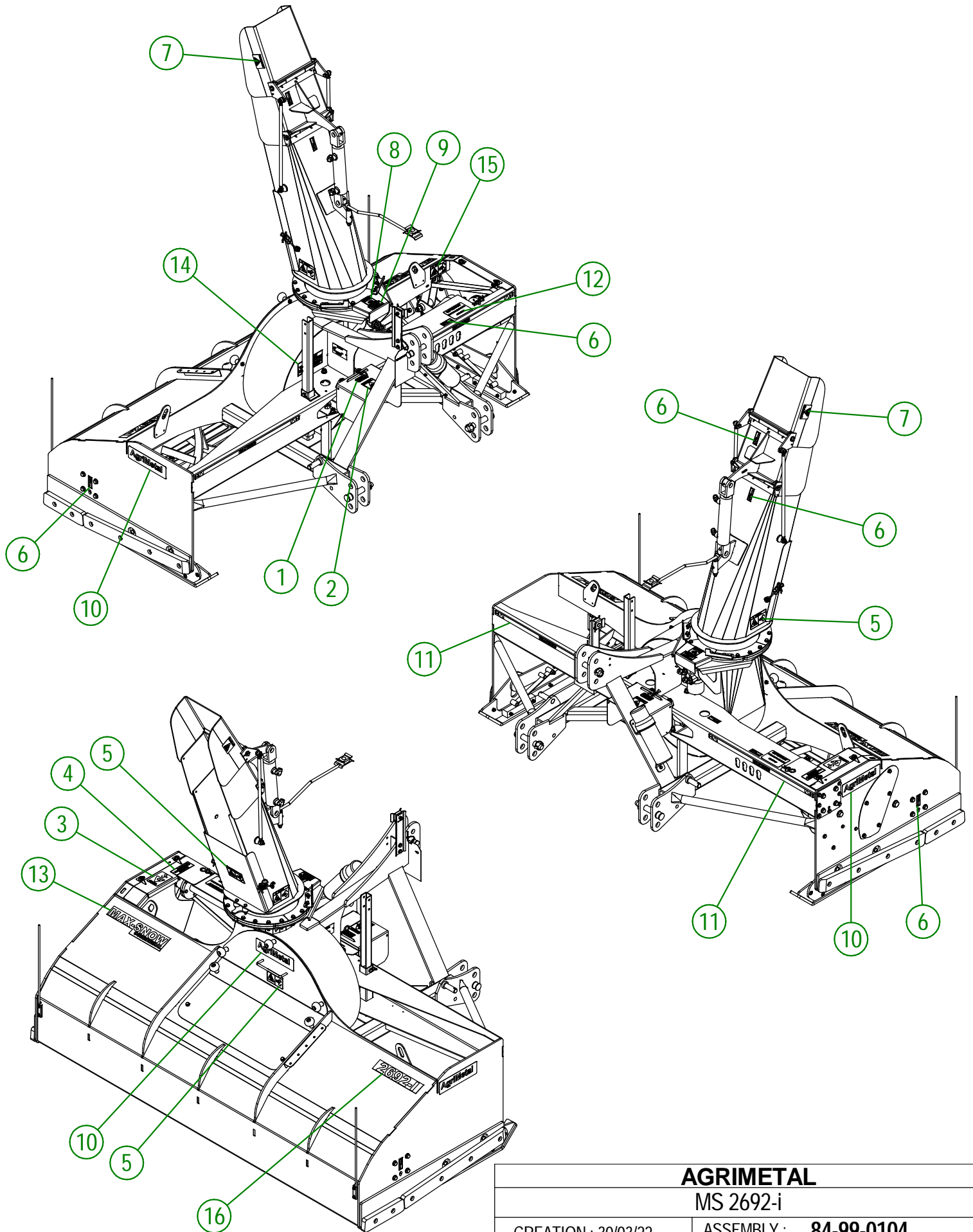
CREATION : 05/08/19
 REVISION : 28/03/22

ASSEMBLY : **84-57-0410**
 AUTHOR : F.HÉLIE

#	PART #	Qty	TITLE
1	NC13-30-0237	1	PLASTIC TUBE FOR OPERATOR'S MANUAL
2	NC02-22-0008	2	WASHER ZINC 5/16"
3	NC01-17-0007	2	HEX. BOLT GR2 ZINC 1/4-20 X 1 1/4"
4	NC01-96-0009	2	NYLON-INSERT LOCKNUT ZINC 1/4-20
5	81-57-0030	1	SET OF 6 SHEAR BOLT WITH NUT
6	84-98-0520	1	ENGLISH OPERATOR'S MANUAL (MS2692-i, MS2482-i)



AGRIMETAL	
OPERATOR'S MANUAL TUBE GROUP	
CREATION : 03/01/18	ASSEMBLY : 84-57-1320
REVISION : 31/03/22	AUTHOR : F.HÉLIE



AGRIMETAL

MS 2692-i

CREATION : 30/03/22
 REVISION : 30/03/22

ASSEMBLY : **84-99-0104**
 AUTHOR : J. Houle

84-99-0104

#	PART #	QTY	TITLE
1	NC13-33-0005	1	STICKER MAXIMUM 540 RPM
2	NC13-33-0187	1	STICKER DANGER (PTO AND PERSON)
3	NC13-33-0283	1	STICKER DANGER (PERSON AND CHAIN DRIVE)
4	NC13-33-0343	1	GREASE CHAIN EVERY 10 HOURS STICKER
5	NC13-33-0249	4	STICKER DANGER
6	NC13-33-0024	6	STICKER GREASE HERE
7	NC13-33-0192	2	STICKER (PROJECTION RISK)
8	NC13-33-0326	1	STICKER DANGER (HAND)
9	NC13-33-0327	1	STICKER END ROTATION ADJUSTMENT
10	NC13-33-0035	3	STICKER AGRIMETAL
11	NC13-33-0274	2	STICKER DANGER
12	NC13-33-0281	1	STICKER SHEAR BOLT
13	NC13-33-0241	1	STICKER MAX-SNOW COMMERCIAL
14	NC13-33-0317	1	STICKER GREASE DRIVE LINE TELESCOPIC SHAFT
15	NC13-33-0247	1	STICKER DANGER
16	NC13-33-0316	1	STICKER 2692-i