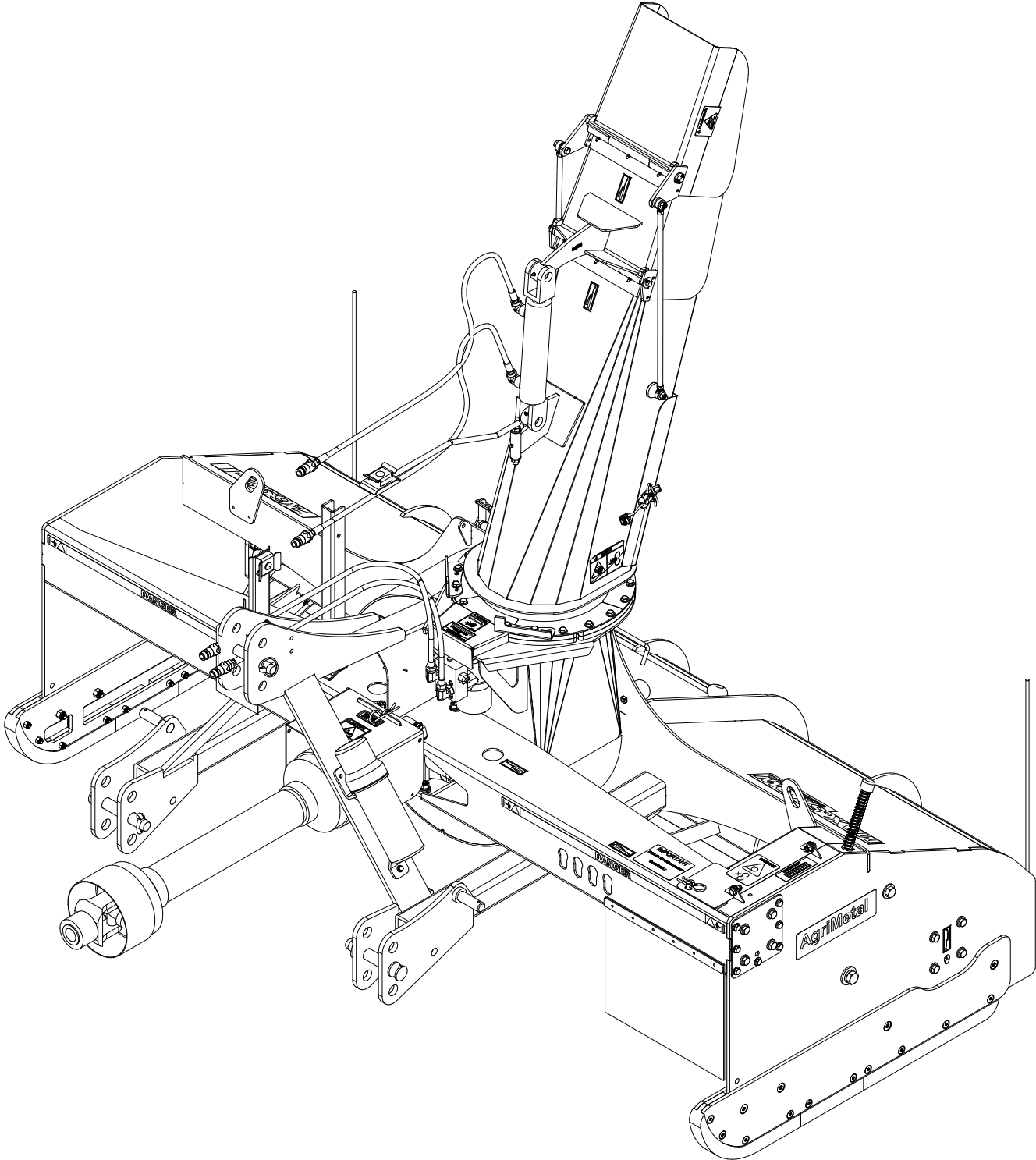
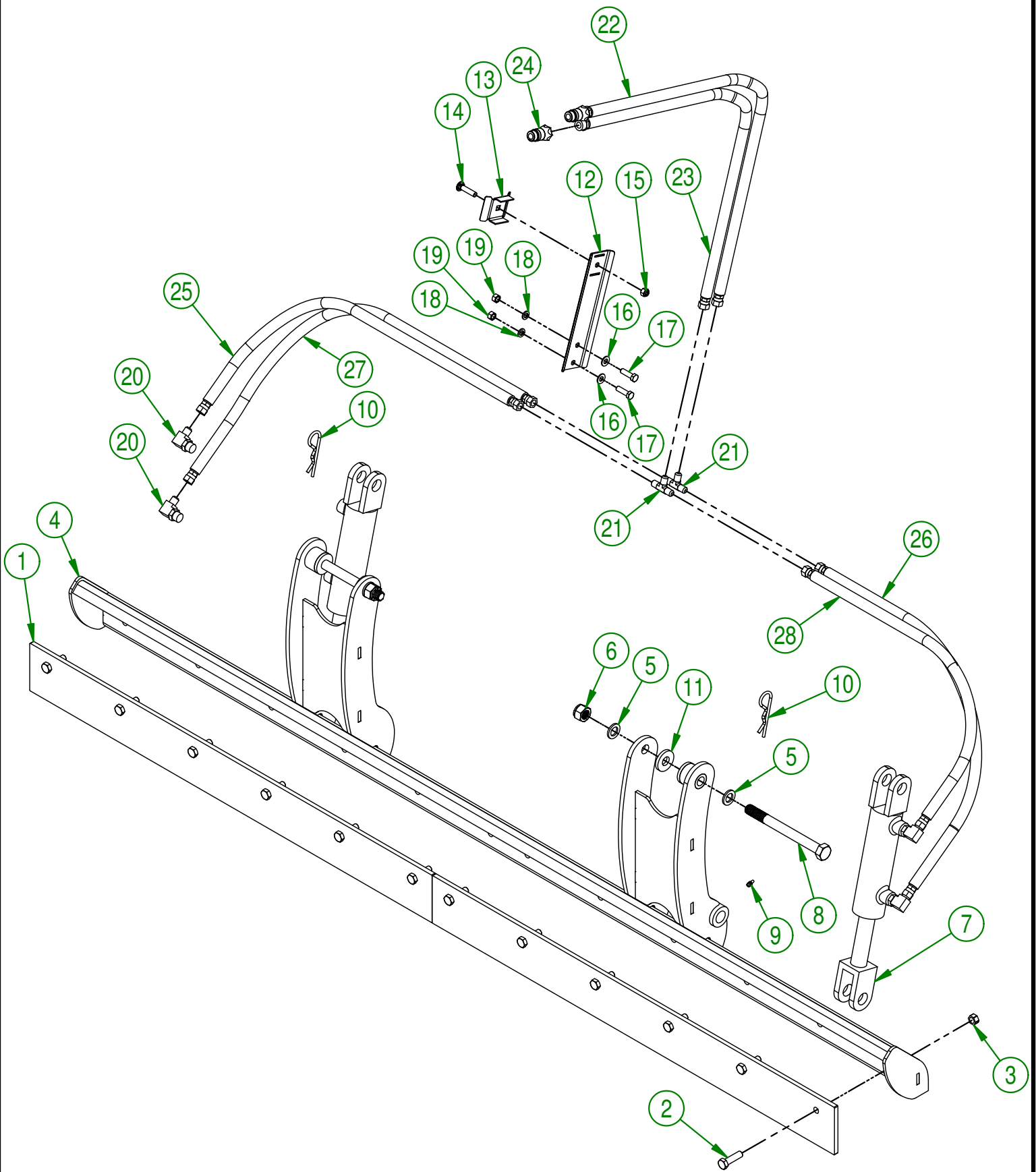


# AgriMetal

## PARTS LIST



**MS 2692-i**



**AGRIMETAL**  
**ICE SCRAPER GROUP**

CREATION : 08/08/19  
 REVISION : 08/08/19

ASSEMBLY : **84-57-0210**

AUTHOR : F.HÉLIE

Page 1 de 18

#	PART #	Qty	TITLE
1	84-20-0105	2	ICE SCRAPER
2	NC01-17-0250	12	HEX. BOLT GR2 ZINC 1/2-13 X 1 3/4"
3	NC01-96-0014	12	NYLON-INSERT LOCKNUT ZINC 1/2-13
4	84-50-0705	1	SCRAPER SUPPORT
5	01-33-0035	4	FLAT WASHER Ø 1 1/4" X Ø 49/64" X 10 GA.
6	NC01-96-0017	2	HEX. LOCK NUT NYLO. NC 3/4-10
7	NC13-45-0217	2	HYDRAULIC CYLINDER 4" STROKE
8	NC01-33-0486	2	HEX. BOLT GR8 NC ZINC 3/4-10 X 8"
9	NC01-69-0785	2	STRAIGHT GREASE FITTING 1/4-28
10	NC01-63-0027	2	HAIRPIN COTTER
11	84-42-0240	4	BLADE WASHER
12	81-01-7600	1	HYDRAULIC HOSE SUPPORT
13	80-01-0020	1	HYDRAULIC HOSE SUPPORT
14	NC01-04-0111	1	CARR. BOLT GR2 ZINC 3/8-16 X 1 1/2"
15	NC01-96-0011	1	NYLON NUT 3/8-16
16	01-01-2485	2	FLAT WASHER 14 GA X 13/16"OD X 25/64" ID
17	NC01-17-0115	2	HEX. BOLT GR2 ZINC 3/8-16 X 1 1/4"
18	NC02-32-0012	2	LOCK WASHER ZINC 3/8"
19	NC02-07-0018	2	HEX. NUT ZINC 3/8-16
20	NC13-45-0242	4	90 DEG ELBOW
21	NC13-45-0289	2	T 3/8 MALE JIC X 3/8 MALE JIC X 3/8 MALE JIC
22	NC17-02-0410	1	HYDRAULIC HOSE 3/8 X 63" 1/4NPT MALE RIG. X 3/8 JIC
23	NC17-02-0410	1	HYDRAULIC HOSE 3/8 X 63" 1/4NPT MALE RIG. X 3/8 JIC
24	NC13-45-0014	2	QUICK COUPLER 1/2-14 NPTF
25	NC17-02-0411	1	HYDRAULIC HOSE 3/8 X 34" LG
26	NC17-02-0411	1	HYDRAULIC HOSE 3/8 X 32" LG
27	NC17-02-0352	1	HYDRAULIC HOSE 3/8 X 37 1/2" LG
28	NC17-02-0409	1	HYDRAULIC HOSE 3/8 X 29.25" LG

**AGRIMETAL****ICE SCRAPER GROUP**

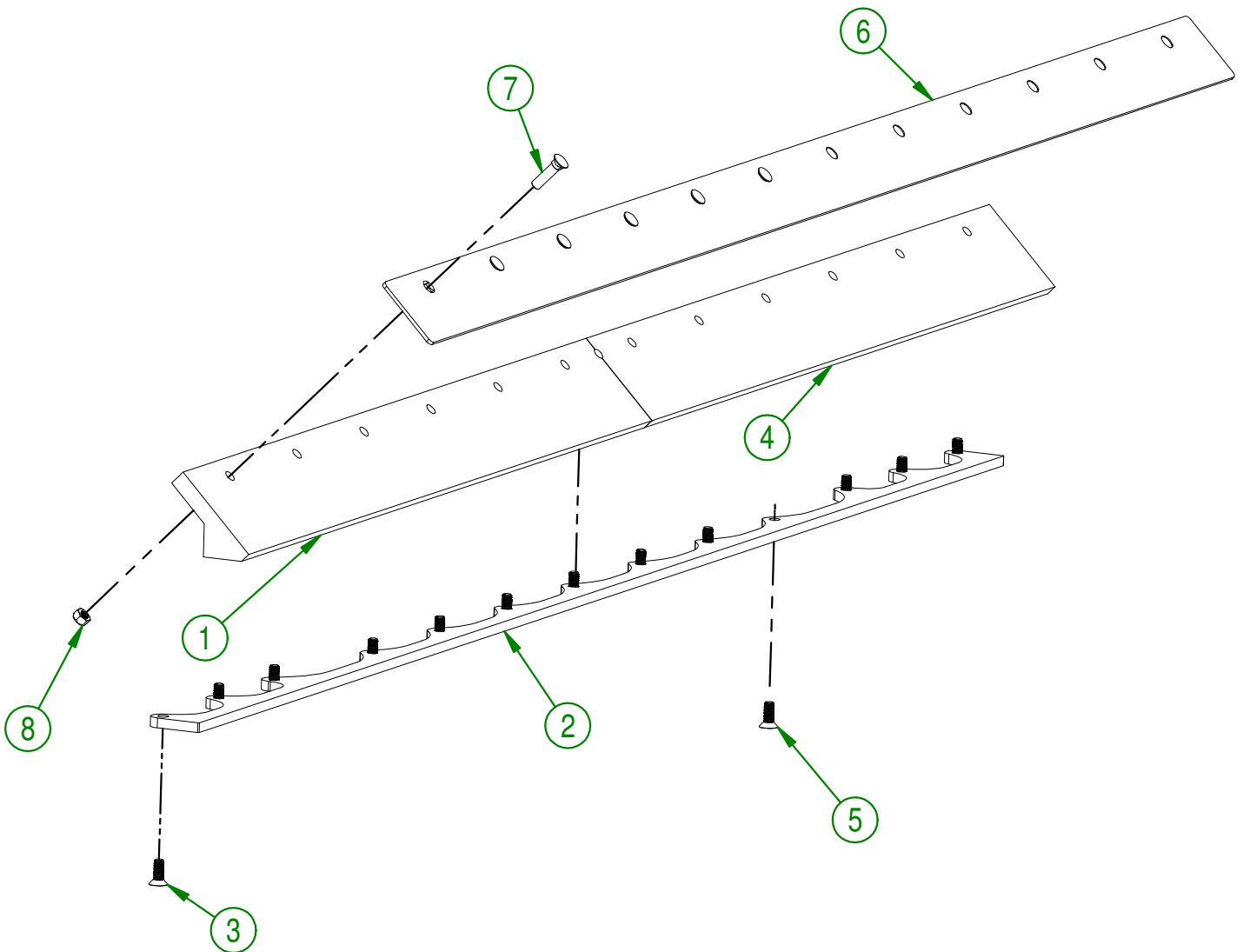
CREATION : 08/08/19  
 REVISION : 08/08/19

ASSEMBLY : **84-57-0210**

AUTHOR : F.HÉLIE

Page 2 de 18

#	PART #	Qty	TITLE
1	84-42-0090	1	RIGHT KNIFE (RUBBER) MS26-i
2	84-04-0545	1	RUBBER KNIFE BRACE
3	NC02-48-0045	6	FLAT SOCKET CAP SCREWS 1/2-13 X 1 1/4" GRADE 8
4	84-42-0095	1	LEFT KNIFE (RUBBER) MS26-i
5	NC02-48-0109	7	FLAT SOCKET CAP SCREWS 1/2-20 X 1 1/4" GRADE 8
6	84-20-0116	1	KNIFE BRACE
7	NC01-09-0032	12	PLOW BOLT GR5 1/2-13 X 2" LG
8	NC01-93-0014	12	LOCK NUT ZINC 1/2-13



### IMPORTANT

USE THIS PARTS ONLY IF YOUR SERIAL NUMBER IS INVOLVED:

#37383 TO 37395

**AGRIMETAL**  
KNIFE GROUP (MS2692-i)

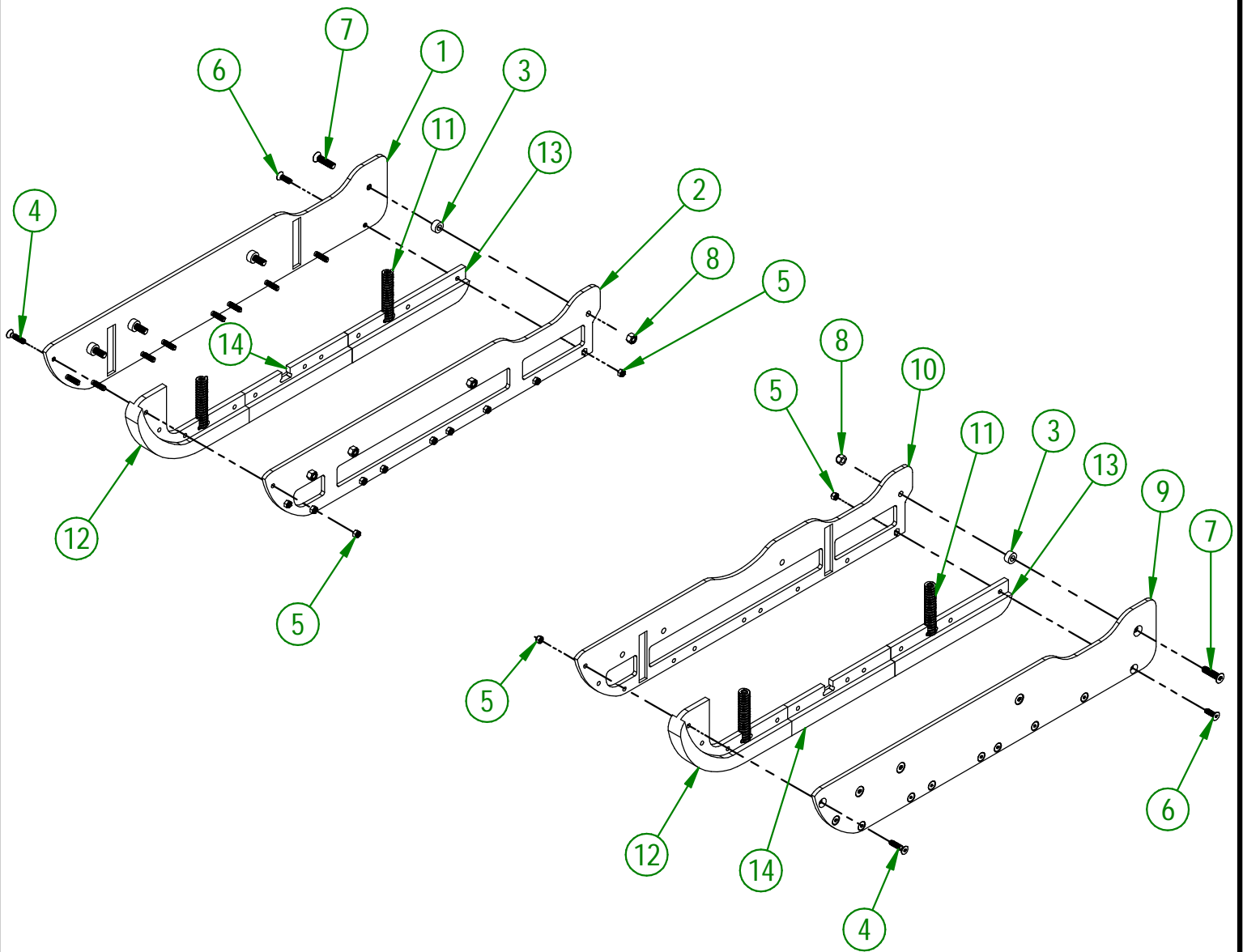
CREATION : 07/08/19  
REVISION : 26/09/19

ASSEMBLY : **84-57-0009**

AUTHOR : F.HÉLIE

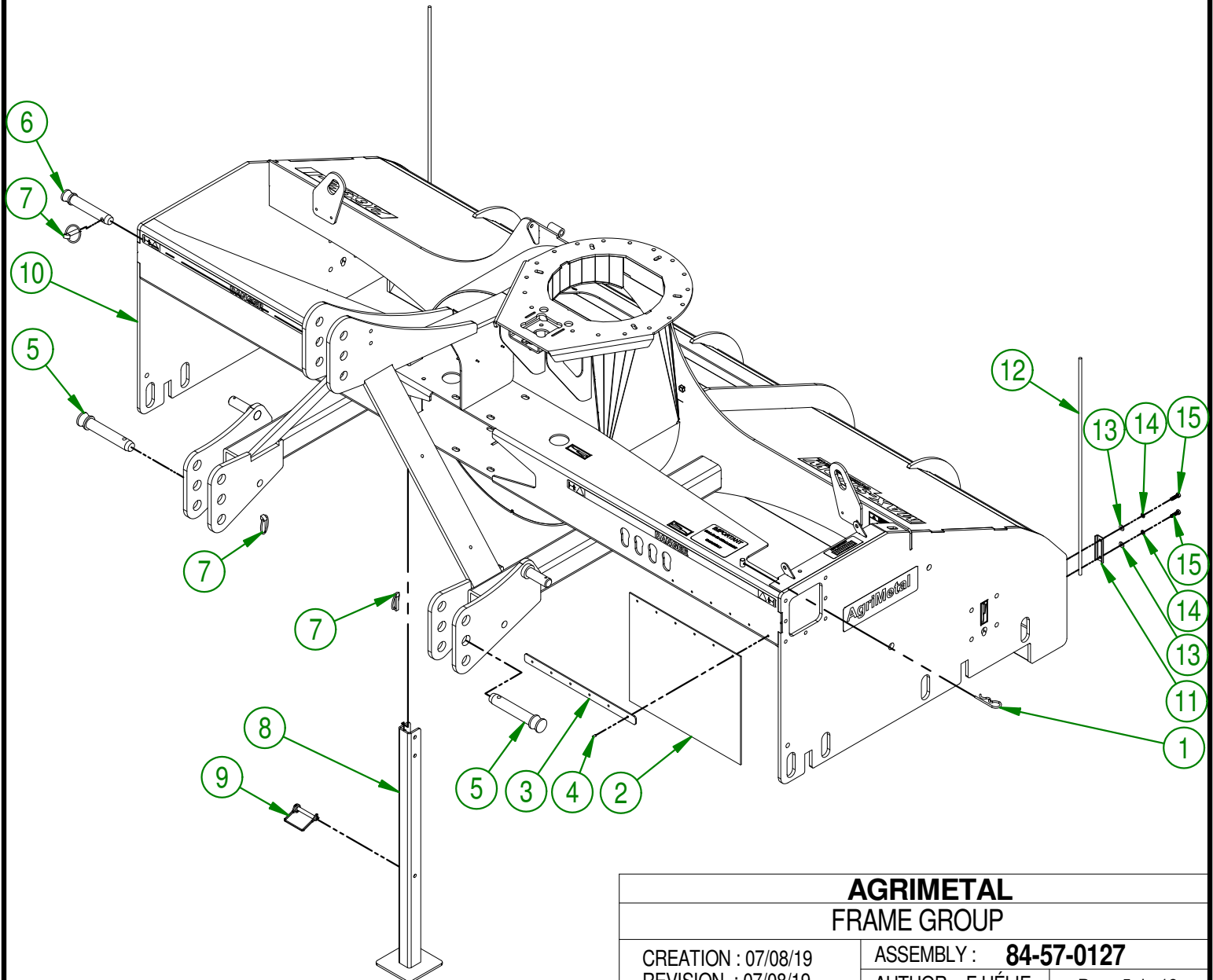
Page 3 de 18

#	PART #	Qty	TITLE
1	84-04-0475	1	FLOATING SKATE (OUTSIDE RIGHT)
2	84-04-0470	1	FLOATING SKATE (INSIDE RIGHT)
3	91-09-0000	8	BUSHING
4	NC02-48-0535	18	STAINLESS FLAT HEAD SOCKET CAP SREW 3/8-16 X 1 3/4
5	NC01-96-0011	20	NYLON NUT 3/8-16
6	NC02-48-0533	2	STAINLESS FLAT HEAD SOCKET CAP SREW 3/8-16 X 1 1/4
7	NC02-48-0548	8	FLAT HEAD SOCKET CAP SCREW STAINLESS 1/2-13 X 2"
8	NC01-96-0014	8	NYLON INSERT LOCKNUT 1/2-13"
9	84-04-0477	1	FLOATING SKATE (OUTSIDE LEFT)
10	84-04-0472	1	FLOATING SKATE (INSIDE LEFT)
11	NC13-86-0052	4	SPRING 1/2" ID X 1" OD X 5" LG
12	91-42-0138	2	FLOATING SKATE (MIDDLE FRONT)
13	91-42-0150	2	FLOATING SKATE (MIDDLE BACK)
14	84-42-0044	2	FLOATING SKATE (MIDDLE)



<b>AGRIMETAL</b>	
<b>FLOATING SKATE GROUP</b>	
CREATION : 07/08/19	ASSEMBLY : <b>84-57-0215</b>
REVISION : 25/02/22	AUTHOR : F.HÉLIE

#	PART #	Qty	TITLE
1	NC01-63-0026	1	COTTER PIN ZC 5/32" X 3"
2	NC13-15-0300	1	SNOW GUARD
3	80-01-1075	1	SNOW GUARD BRACE
4	NC01-78-0016	6	ALUMINIUM BLIND POP RIVET STEEL MANDREL 0.187 X 0.690
5	48-20-0065	2	3 POINT PIN
6	48-20-0060	1	3 POINT PIN
7	NC01-69-1100	3	LINCH PIN 3/8"
8	84-50-0090	1	STAND
9	NC01-69-1306	1	LOCKING PIN 3/8" X 2 1/2" LG
10	84-57-0122	1	FRAME
11	39-01-2440	2	GUIDE ROD CLAMP
12	39-42-0600	2	GUIDE ROD
13	NC02-25-0007	4	WASHER ZINC 0.281 = 9/32
14	NC02-32-0010	4	LOCK WASHER ZINC 1/4"
15	NC01-37-0006	4	HEX BOLT GR8 NF ZINC 1/4-28 X 1

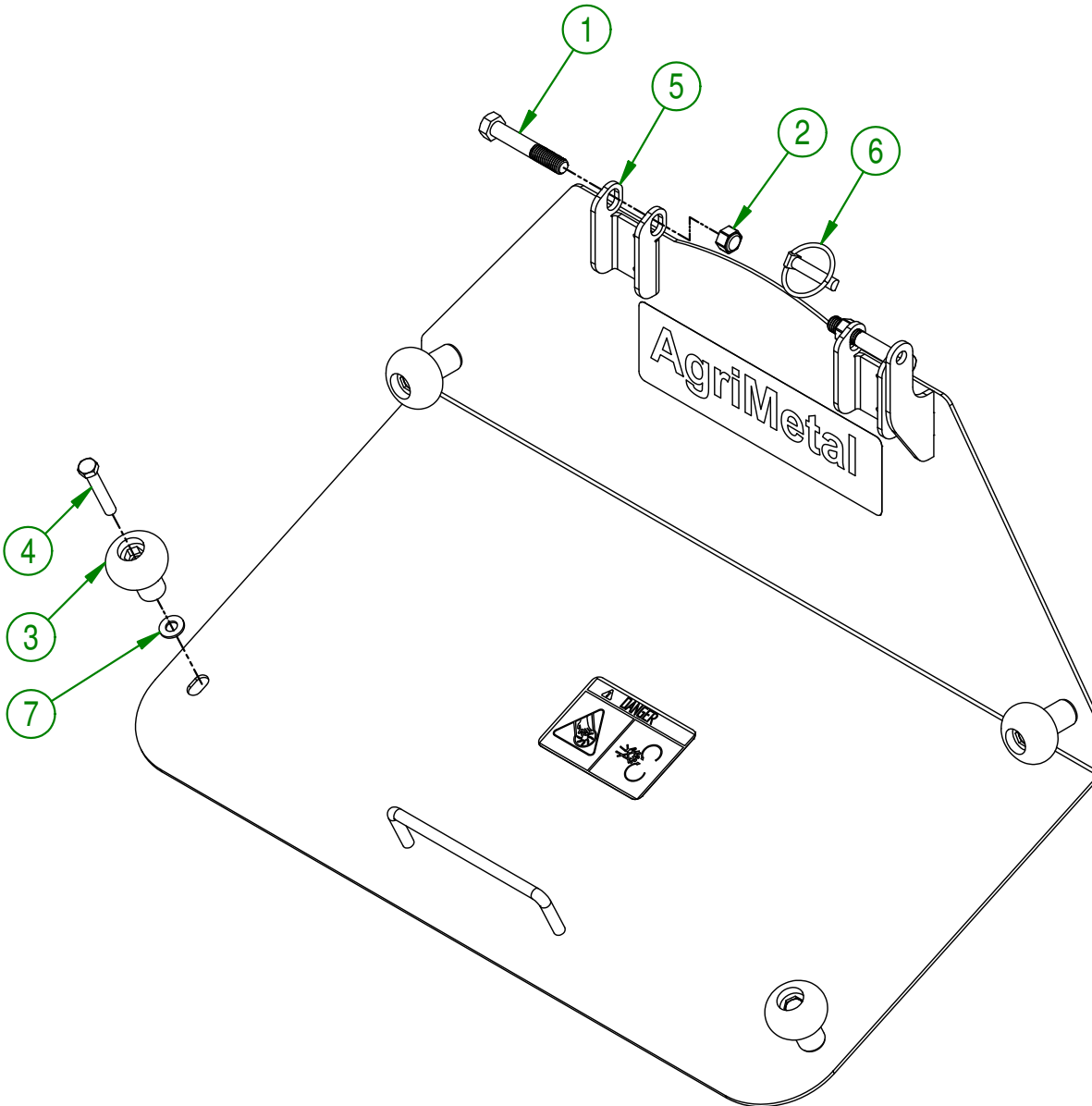


**AGRIMETAL**  
**FRAME GROUP**

CREATION : 07/08/19  
REVISION : 07/08/19

ASSEMBLY : **84-57-0127**  
AUTHOR : F.HÉLIE

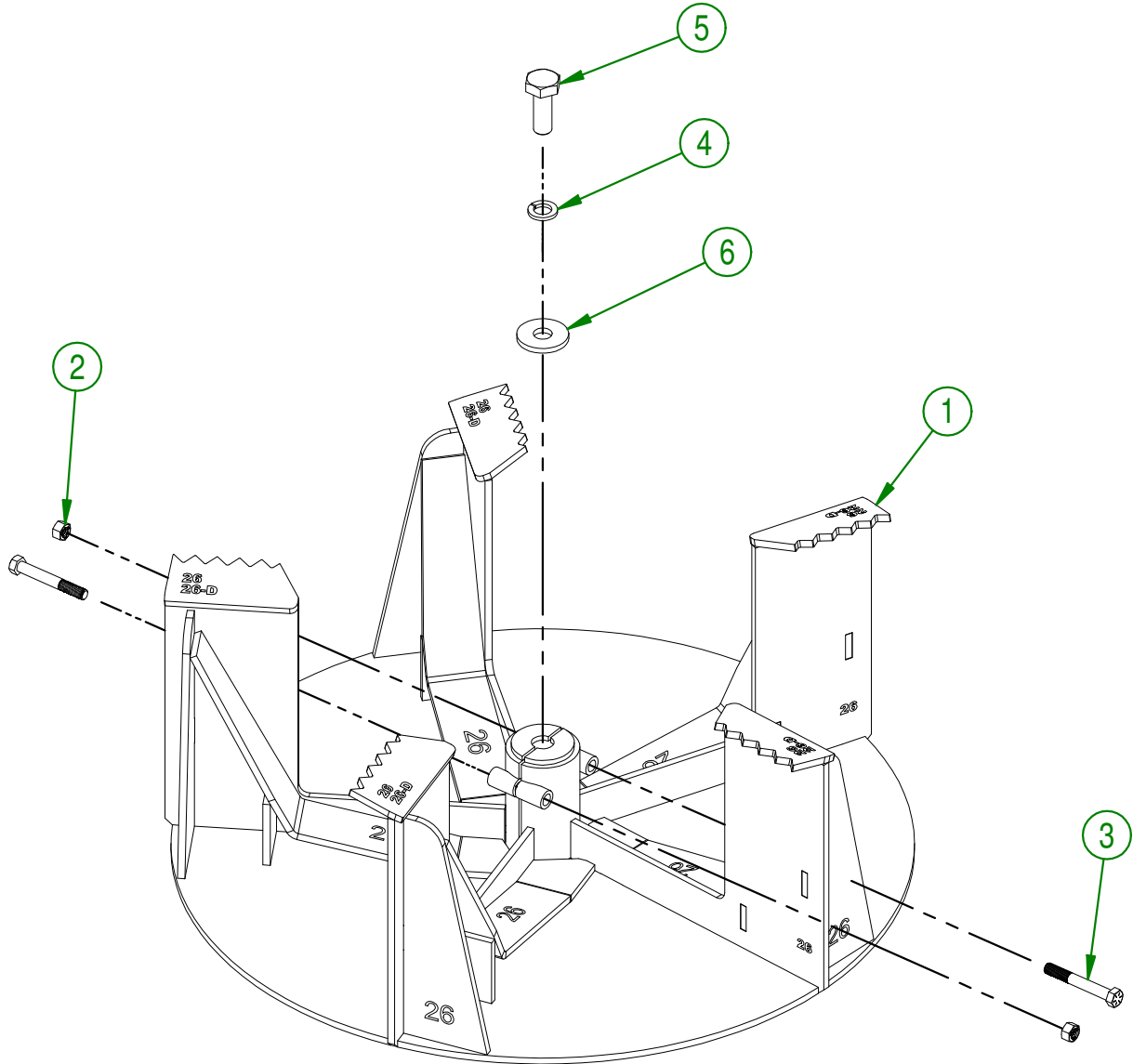
#	PART #	Qty	TITLE
1	NC01-17-0255	2	HEX. BOLT GR2 ZINC 1/2-13 X 3"
2	NC01-96-0014	2	NYLON-INSERT LOCKNUT ZINC 1/2-13
3	NC17-46-0018	4	HANDLE KNOB
4	NC01-17-0119	4	HEX. BOLT GR2 ZINC 3/8-16 X 2 1/4"
5	84-57-0175	1	IMPELLER ACCESS DOOR
6	NC01-69-1100	1	LINCH PIN 3/8"
7	01-01-2485	4	FLAT WASHER 14 GA X 13/16"OD X 25/64" ID



<b>AGRIMETAL</b>	
<b>IMPELLER ACCESS DOOR GROUP</b>	
CREATION : 07/12/17	ASSEMBLY : <b>84-57-0135</b>
REVISION : 07/08/19	AUTHOR : F.HÉLIE   Page 6 de 18

80-57-0426

#	PART #	Qty	TITLE
1	80-50-0050	1	IMPELLER
2	NC01-94-0011	2	LOCK NUT 3/8-24
3	NC01-37-0121	2	HEX. BOLT GR8 ZINC 3/8-24 X 2 3/4" LG
4	NC02-32-0016	1	LOCK WASHER ZINC 5/8"
5	NC01-25-0395	1	HEX. BOLT GR5 ZINC 5/8-11 X 1 3/4" LG
6	80-04-0185	1	WASHER



**AGRIMETAL**  
**IMPELLER GROUP**

CREATION : 13/04/18  
REVISION : 25/06/20

ASSEMBLY : **80-57-0426**

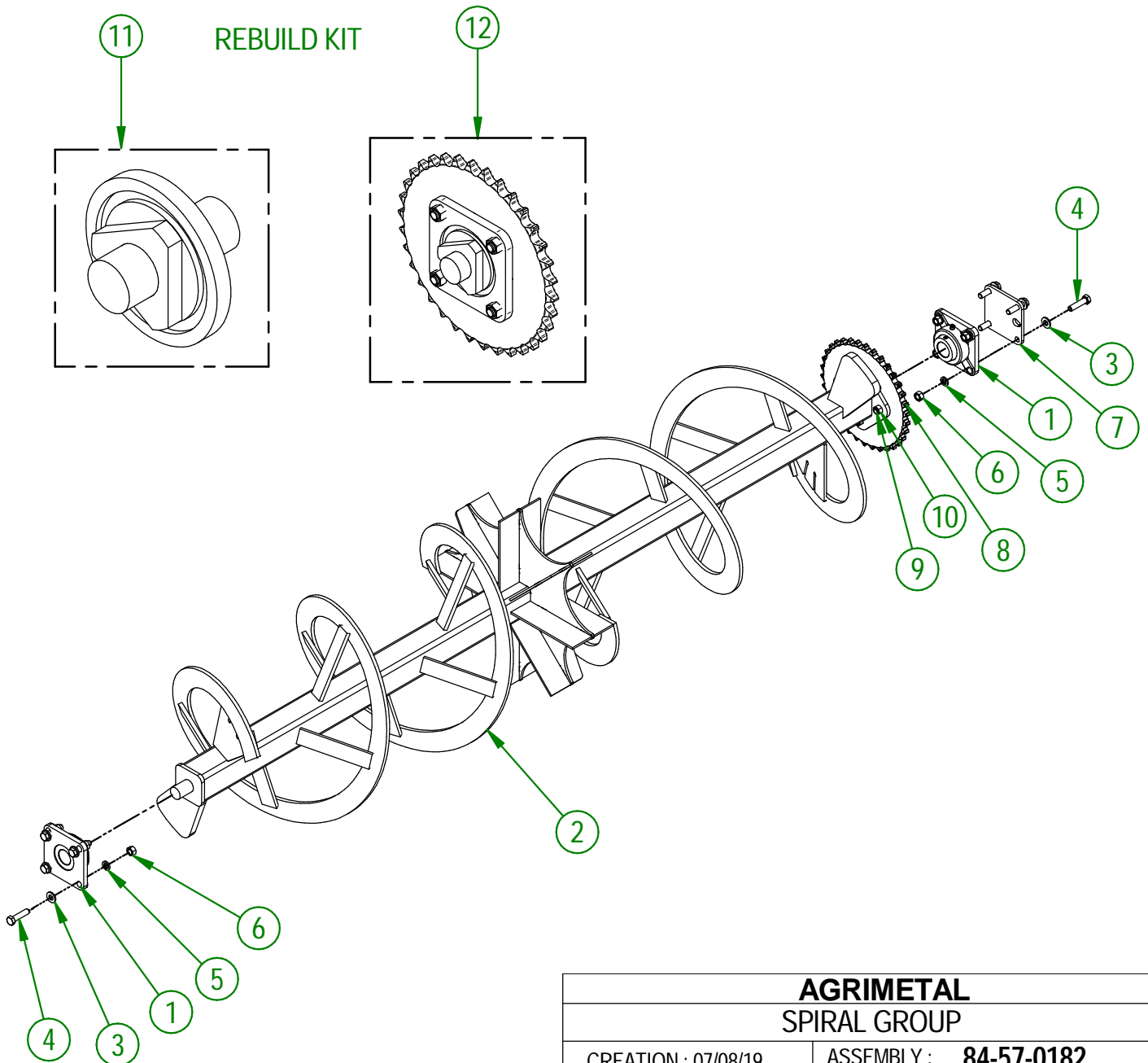
AUTHOR : F.HÉLIE

Page 7 de 18



84-57-0182

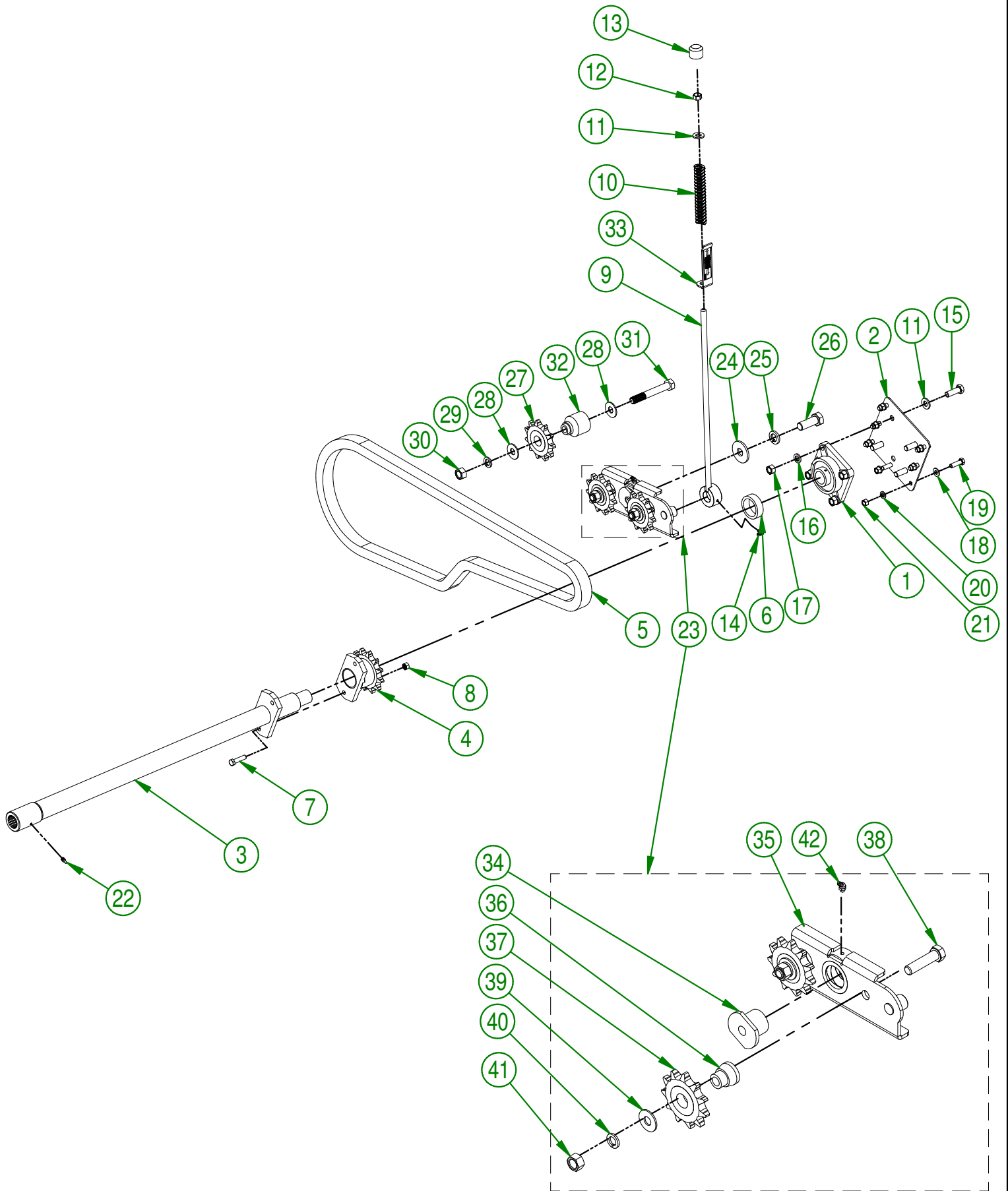
#	PART #	Qty	TITLE
1	NCI4-75-0160	2	FLANGE BEARING UCF207-20 1 1/4" ID
2	84-50-0172	1	SPIRAL
3	NC02-25-0011	8	WASHER SAE ZINC 17/32 ID
4	NC01-17-0251	8	HEX. BOLT GR2 ZINC 1/2-13 X 2"
5	NC02-32-0014	8	LOCK WASHER ZINC 1/2"
6	NC02-07-0020	8	HEX. NUT ZINC 1/2-13
7	84-04-0450	1	SPIRAL BEARING SHIM
8	NCI4-55-0275	1	80A34 SPROCKET
9	NC01-29-0249	4	HEX. BOLT GR5 ZINC 1/2-20 X 1 1/2
10	NC01-94-0013	4	JAM NUT 1/2-20
11	102-51-1070	1	SPIRAL SHAFT
12	84-51-0360	1	SPIRAL SHAFT (SPROCKET)



**AGRIMETAL**  
**SPIRAL GROUP**

CREATION : 07/08/19  
REVISION : 04/07/23

ASSEMBLY : **84-57-0182**  
AUTHOR : F.HÉLIE



**AGRIMETAL**  
**SPIRAL DRIVE TRAIN GROUP**

CREATION : 07/12/17  
 REVISION : 30/04/21

ASSEMBLY : **84-57-0130**  
 AUTHOR : F.HÉLIE

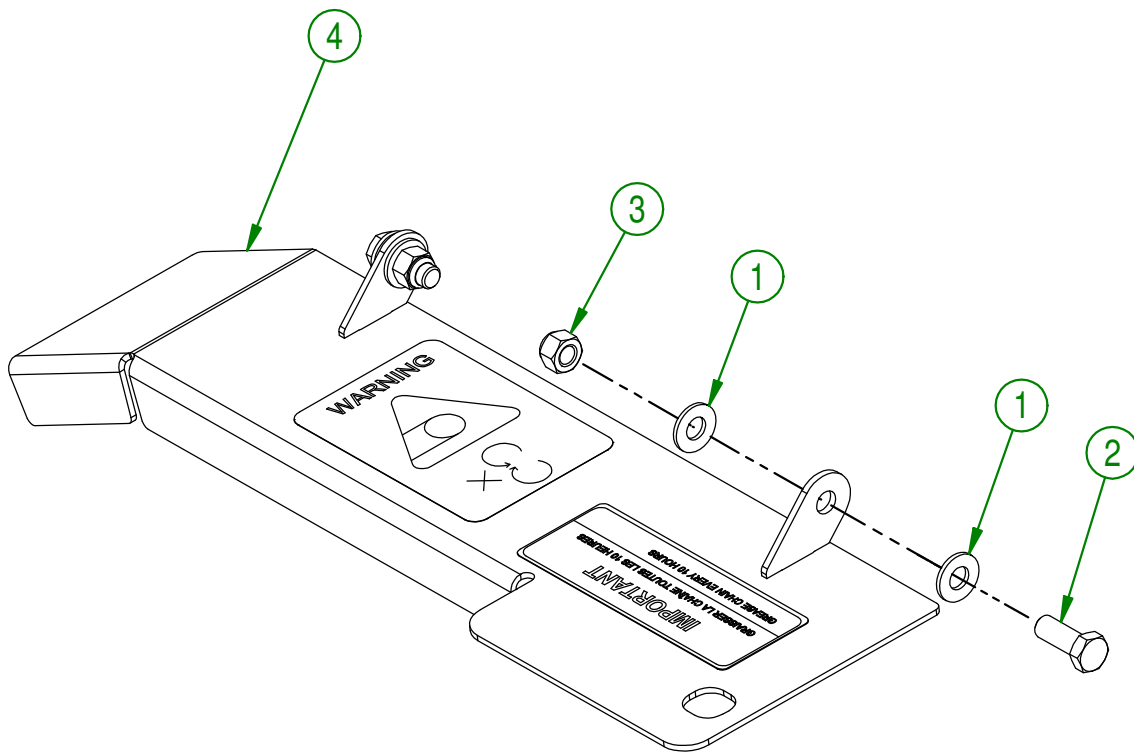
84-57-0130

#	PART #	Qty	TITLE
1	NC14-75-0024	1	FLANGE BEARING 4 HOLES UCF207-20 1 1/4" DIA.
2	84-01-0905	1	COUNTER SHAFT BEARING SUPPORT
3	84-50-0165	1	SPIRAL DRIVE TRAIN
4	NC14-55-0276	1	80B12H SPROCKET
5	84-37-1005	1	CHAIN #80
6	84-24-0005	1	SPIRAL DRIVE TRAIN BUSHING
7	NC01-25-0116	1	HEX. BOLT GR5 ZINC 3/8-16 X 1 1/2"
8	NC01-93-0011	1	LOCK NUT 3/8-16
9	84-50-0140	1	THREADED ROD
10	NC13-86-0054	1	RED SPRING 1/2" ID X 1" OD X 6" LG
11	NC02-25-0011	5	WASHER SAE ZINC 17/32 ID
12	NC01-96-0014	1	NYLON-INSERT LOCKNUT ZINC 1/2-13
13	80-42-0110	1	THREADED ROD CAP
14	NC01-69-0787	1	GREASE FITTING STRAIGHT 1/4-28 X 90
15	NC01-17-0249	4	HEX. BOLT GR2 ZINC 1/2-13 X 1 1/2"
16	NC02-32-0014	4	LOCK WASHER ZINC 1/2"
17	NC02-07-0020	4	HEX. NUT ZINC 1/2-13
18	01-01-2485	7	FLAT WASHER 14 GA X 13/16"OD X 25/64" ID
19	NC01-17-0115	7	HEX. BOLT GR2 ZINC 3/8-16 X 1 1/4"
20	NC02-32-0012	7	LOCK WASHER ZINC 3/8"
21	NC02-07-0018	7	HEX. NUT ZINC 3/8-16
22	NC01-69-0785	1	STRAIGHT GREASE FITTING 1/4-28
23	81-55-0400	1	CHAIN TENSIONER GROUP
24	80-04-0170	1	WASHER
25	NC02-32-0017	1	LOCK WASHER ZINC 3/4"
26	NC01-25-0467	1	HEX. BOLT GR2 ZINC 3/4-10 X 2 " LG.
27	NC14-55-0292	1	80C11H SPROCKET
28	NC02-22-0013	2	WASHER ZINC 5/8 ID X 1 1/2 OD
29	NC02-32-0016	1	LOCK WASHER ZINC 5/8"
30	NC02-10-0022	1	HEX. NUT ZINC 5/8-18
31	NC01-17-0406	1	HEX. BOLT GR2 ZINC 5/8-11 X 4 1/2"
32	84-21-0000	1	CHAIN TENSIONER BUSHING
33	83-57-0160	1	ADJUSTEMENT INDICATOR

81-55-0400

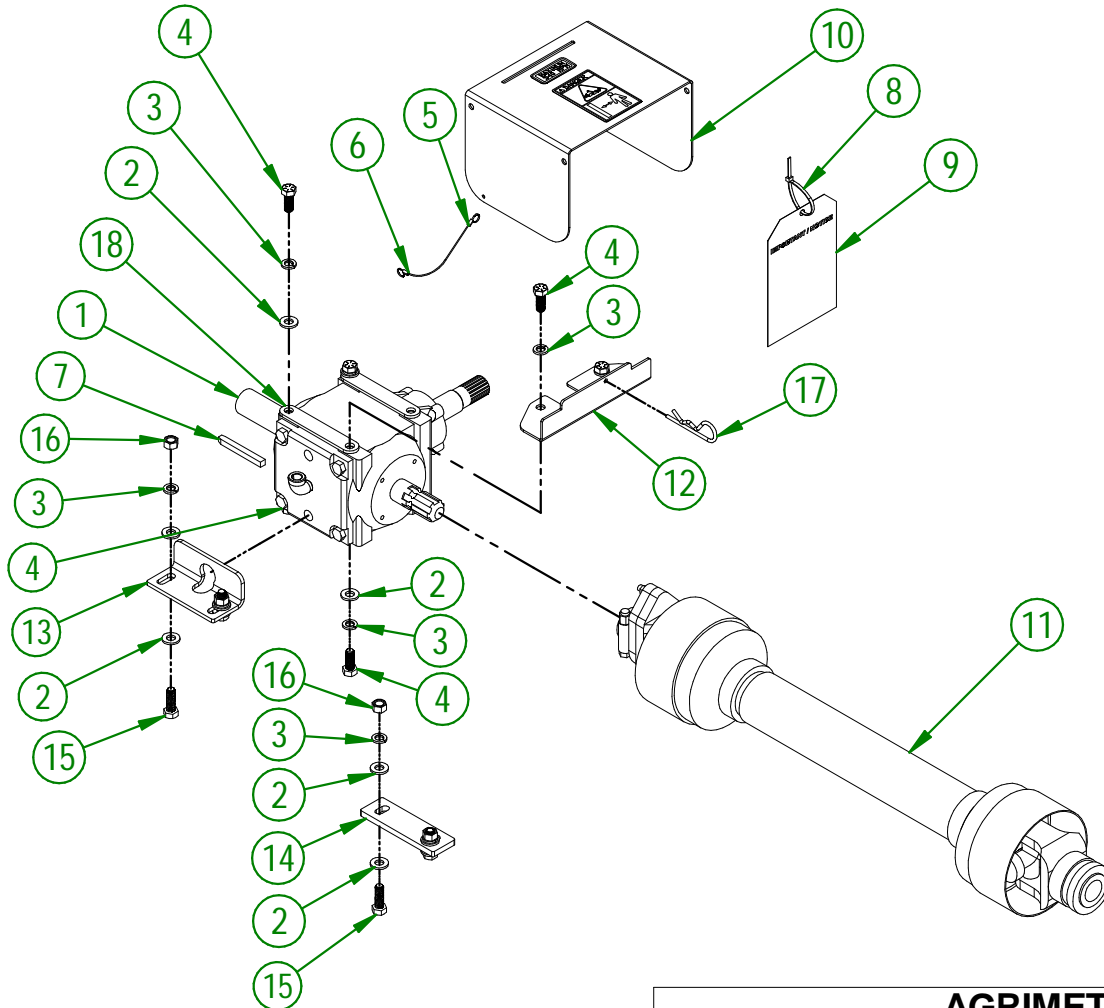
#	PART #	Qty	TITLE
34	88-13-0005	1	CHAIN TENSIONER BUSHING
35	81-50-5005	1	CHAIN TENSIONER
36	81-21-0020	2	CHAIN TENSIONER BUSHING
37	NC14-55-0292	2	80C11H SPROCKET
38	NC01-17-0398	2	HEX. BOLT GR2 NC ZINC 5/8-11 X 2 1/2"
39	NC02-22-0013	2	WASHER ZINC 5/8 ID X 1 1/2 OD
40	NC02-32-0016	2	LOCK WASHER ZINC 5/8"
41	NC02-10-0022	2	HEX. NUT ZINC 5/8-18
42	NC01-69-0786	1	GREASE FITTING 1/4-28 X 45

#	PART #	Qty	TITLE
1	01-01-2485	4	FLAT WASHER 14 GA X 13/16"OD X 25/64" ID
2	NC01-17-0114	2	HEX. BOLT GR2 ZINC 3/8-16 X 1"
3	NC01-96-0011	2	NYLON NUT 3/8-16
4	84-57-0155	1	CHAIN GUARD



<b>AGRIMETAL</b>	
<b>CHAIN GUARD GROUP</b>	
CREATION : 07/12/17	ASSEMBLY : <b>84-57-0160</b>
REVISION : 18/11/19	AUTHOR : F.HÉLIE Page 11 de 18

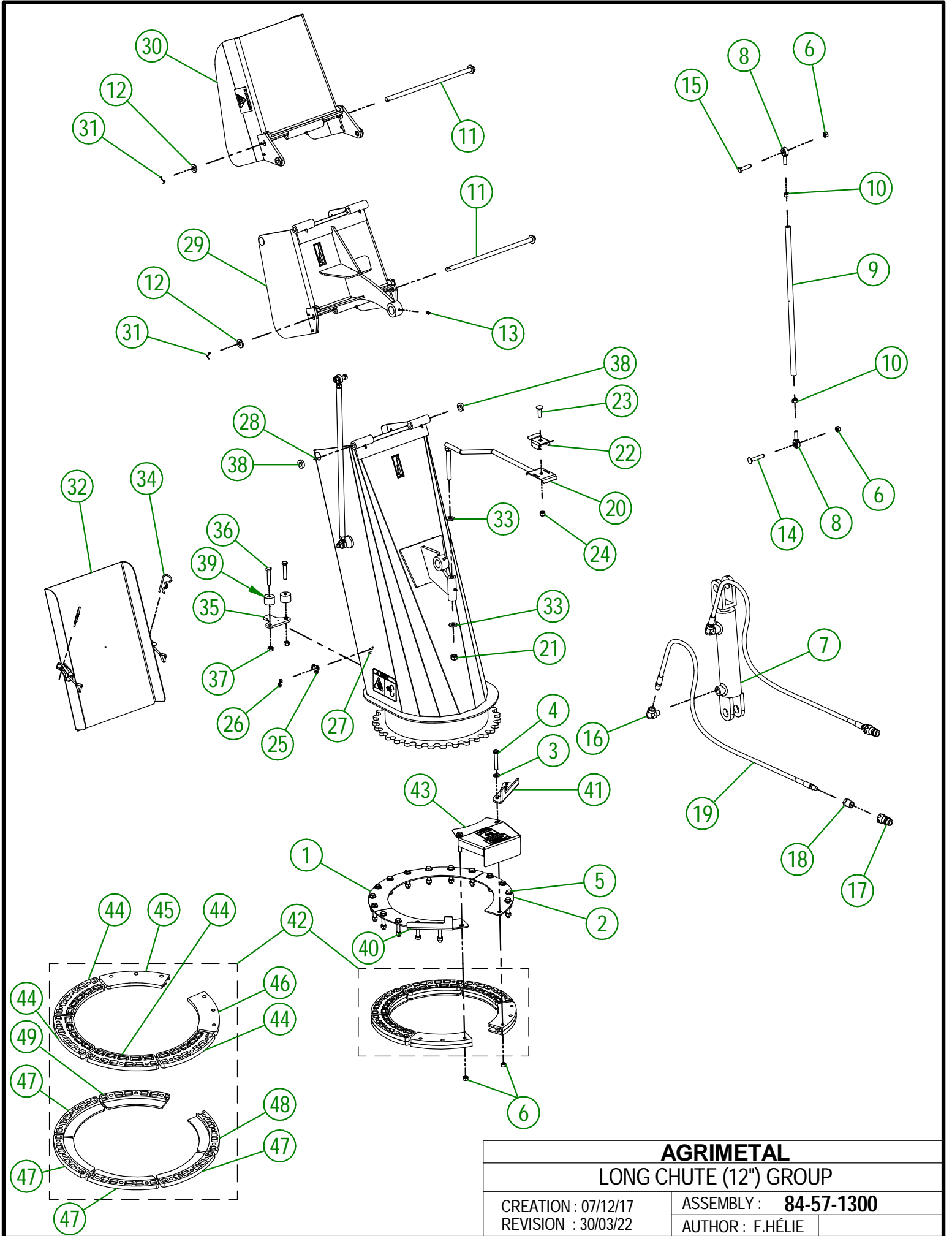
#	PART #	Qty	TITLE
1	84-55-0010	1	GEARBOX
2	NC02-25-0011	14	WASHER SAE ZINC 17/32 ID
3	NC02-32-0014	12	LOCK WASHER ZINC 1/2"
4	NC01-33-0248	8	HEX. BOLT .GR8 NC ZINC 1/2-13 X 1 1/4"
5	80-41-0135	1	PTO GUARD STEEL CABLE
6	NC01-64-0005	2	OVAL SLEEVE (ALUMINUM)
7	80-41-0900	1	IMPELLER KEY
8	NC13-25-0019	1	BLACK TIE RAP
9	NC13-50-0110	1	IMPORTANT/NOTICE PTO POSTER
10	81-57-0040	1	PTO GUARD
11	80-34-0030	1	PTO SHAFT T60
12	84-01-0095	1	PTO GUARD SUPPORT
13	80-04-0485	1	GEARBOX BRACE
14	80-04-0480	1	GEARBOX BRACE
15	NC01-33-0249	4	CAP SCREW GR8 NC ZINC 1/2-13 X 1 1/2" LG
16	NC02-07-0020	4	HEX. NUT ZINC 1/2-13
17	NC01-63-0027	1	HAIRPIN COTTER
18	84-04-0660	2	GEARBOX SPACER



**AGRIMETAL**  
GEARBOX GROUPING

CREATION : 06/12/17  
REVISION : 25/05/22

ASSEMBLY : **84-57-0100**  
AUTHOR : F.HÉLIE



**AGRIMETAL**

**LONG CHUTE (12") GROUP**

CREATION : 07/12/17  
 REVISION : 30/03/22

ASSEMBLY : **84-57-1300**  
 AUTHOR : F.HÉLIE

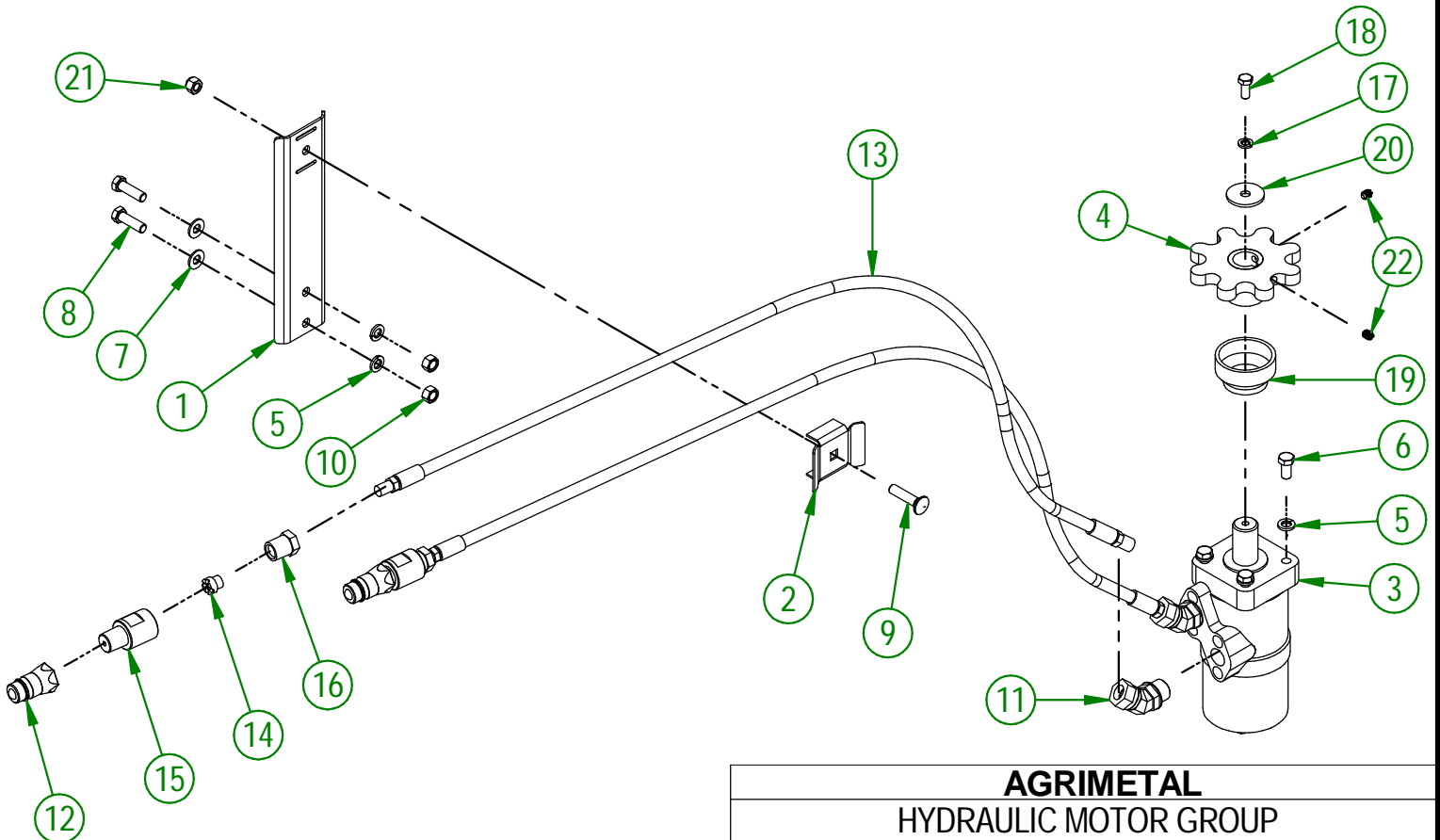
## 84-57-1300

#	PART #	Qty	TITLE
1	80-01-1015	1	BRACE
2	80-01-1010	2	BRACE
3	01-01-2485	18	FLAT WASHER 14 GA X 13/16"OD X 25/64" ID
4	NC01-17-0119	4	HEX. BOLT GR2 ZINC 3/8-16 X 2 1/4"
5	NC01-17-0118	14	HEX. BOLT GR2 ZINC 3/8-16 X 2"
6	NC01-93-0011	22	LOCK NUT 3/8-16
7	NC13-45-0209	1	HYDRAULIC CYLINDER 6"
8	NC01-67-0304	4	ROD END 3/8-24
9	48-13-0600	2	CHUTE ROD (DOUBLE)
10	NC02-10-0018	4	NUT 3/8-24
11	80-20-0260	2	PIVOT
12	NC02-25-0011	4	WASHER SAE ZINC 17/32 ID
13	NC01-69-0785	9	STRAIGHT GREASE FITTING 1/4-28
14	NC01-07-0113	2	CARR. BOLT GR5 ZINC 3/8-16 X 2" LG
15	NC01-25-0116	2	HEX. BOLT GR5 ZINC 3/8-16 X 1 1/2"
16	NC13-45-0038	2	ELBOW 90 3/8 FEM. NPT X 3/8 MALE NPT
17	NC13-45-0369	2	QUICK COUPLER 1/2-14 NPTF
18	NC13-45-0153	2	HEX. REDUCER 1/4 NPT X 1/2 NPT
19	NC17-02-0329	2	HYDRAULIC HOSE (87" LG)
20	48-50-1030	1	HYDRAULIC HOSE SUPPORT
21	NC01-96-0014	1	NYLON-INSERT LOCKNUT ZINC 1/2-13
22	48-01-7530	1	HYDRAULIC HOSE SUPPORT
23	NC01-04-0110	1	CARR. BOLT GR2 ZINC 3/8-16 X 1 1/4"
24	NC01-96-0011	1	NYLON NUT 3/8-16
25	NC01-63-0052	2	ADJUSTABLE LATCH (STRIKE)
26	NC01-96-0006	4	NYLON NUT ZINC 3/16
27	NC02-40-0080	4	MACHINE SCREWS SQUARE SOCKET #10-24 X 1/2" LG
28	84-57-1305	1	CHUTE (BOTTOM SECTION)
29	80-57-0312	1	CHUTE (MIDDLE SECTION)
30	80-57-0322	1	CHUTE (TOP SECTION)
31	NC01-69-0139	4	COTTER PIN ZINC 1/8" X 3/4"
32	84-57-1310	1	CHUTE DOOR
33	01-01-0925	2	WASHER
34	NC01-63-0026	2	COTTER PIN ZC 5/32" X 3"
35	84-04-0170	1	STOPPER
36	NC01-37-0118	2	HEX. BOLT GR8 ZINC 3/8-24 X 2"
37	NC01-94-0011	2	LOCK NUT 3/8-24
38	NC13-15-0334	2	PIVOT WASHER
39	81-21-0040	2	ADJUSTABLE STOPPER SPACER
40	84-04-0175	1	ADJUSTABLE STOPPER
41	84-04-0177	1	ADJUSTABLE STOPPER
42	84-57-1330	1	GUIDE CHUTE GROUP
43	80-57-0550	1	SPROCKET GUARD GROUP "STICKER INCLUDED"

## 84-57-1330

#	PART #	Qty	TITLE
44	NC17-46-0028	4	CHUTE GUIDE (TOP)
45	80-42-0320	1	CHUTE GUIDE (TOP)
46	80-42-0315	1	CHUTE GUIDE (TOP)
47	NC17-46-0027	4	CHUTE GUIDE (UNDER)
48	80-42-0305	1	CHUTE GUIDE (UNDER)
49	80-42-0310	1	CHUTE GUIDE (UNDER)

#	PART #	Qty	TITLE
1	81-01-7600	1	HYDRAULIC HOSE SUPPORT
2	80-01-0020	1	HYDRAULIC HOSE SUPPORT
3	NC14-45-0156	1	HYDRAULIC MOTOR
4	48-50-1025	1	HYDRAULIC ENGINE SPROCKET
5	NC02-32-0012	6	LOCK WASHER ZINC 3/8"
6	NC01-17-0112	4	HEX. BOLT GR2 ZINC 3/8-16 X 3/4"
7	01-01-2485	2	FLAT WASHER 14 GA X 13/16"OD X 25/64" ID
8	NC01-17-0115	2	HEX. BOLT GR2 ZINC 3/8-16 X 1 1/4"
9	NC01-04-0111	1	CARR. BOLT GR2 ZINC 3/8-16 X 1 1/2"
10	NC02-07-0018	2	HEX. NUT ZINC 3/8-16
11	NC13-45-0367	2	45°-7/8-14 MALE O RING X 1/2 FEM.TOUR.NPT PT
12	NC13-45-0369	2	QUICK COUPLER 1/2-14 NPTF
13	NC17-02-0328	2	HYDRAULIC HOSE (63" LG)
14	80-13-0100	2	HYDRAULIC RESTRICTOR
15	NC13-45-0378	2	HYDRAULIC RESTRICTOR BUSHING
16	80-45-0000	2	HEX. REDUCER 1/4 NPT X 1/2 NPT
17	NC02-32-0011	1	LOCK WASHER ZINC 5/16"
18	NC01-45-0184	1	HEX. BOLT GR8.8 ZINC 8MM X 20MM
19	NC17-46-0031	1	HYDRAULIC MOTOR BUSHING
20	01-33-0010	1	WASHER
21	NC01-96-0011	1	NYLON NUT 3/8-16
22	NC02-44-0103	2	SET SCREW 5/16-18 X 3/8"

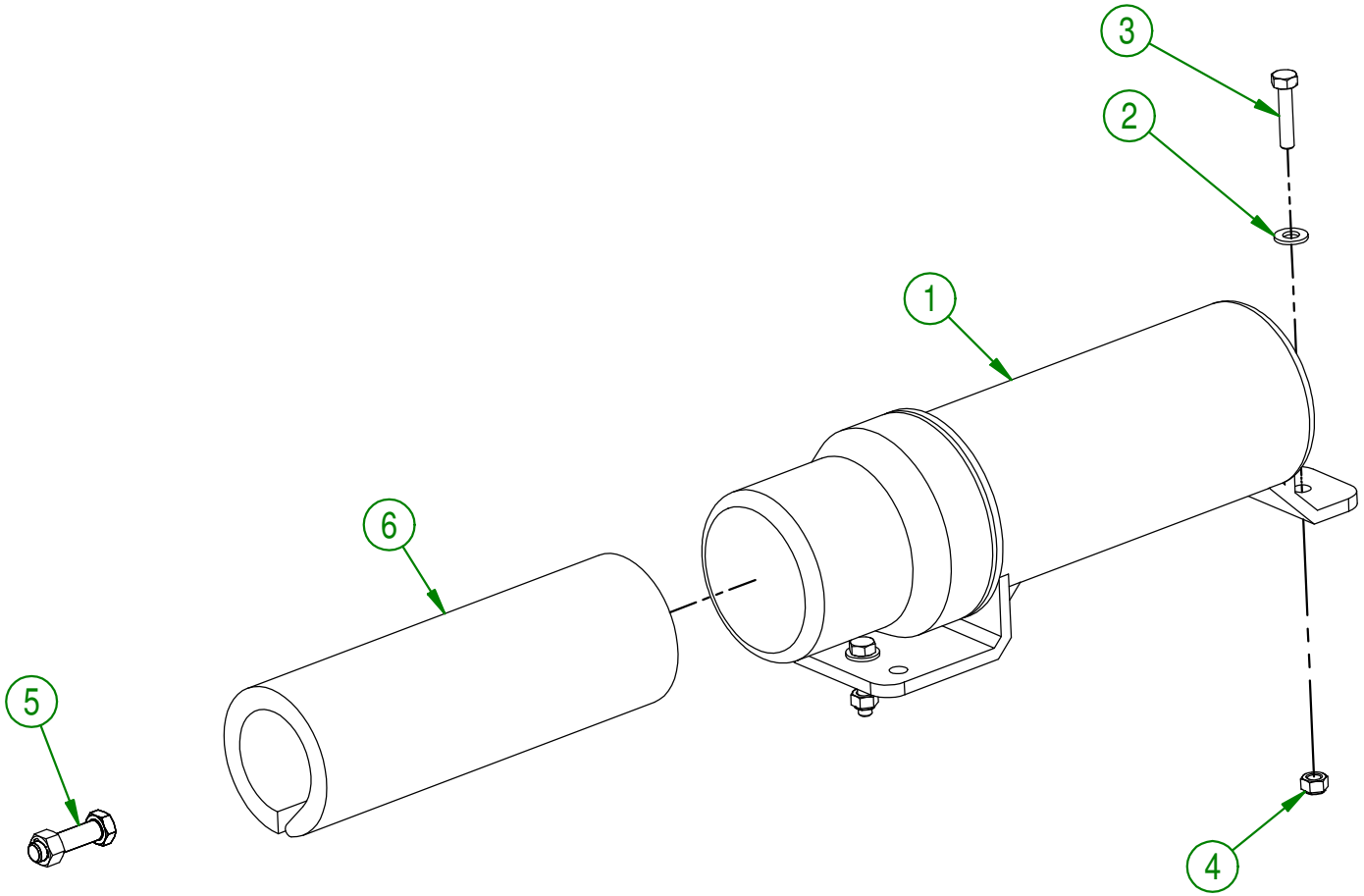
**AGRIMETAL****HYDRAULIC MOTOR GROUP**

CREATION : 05/08/19  
 REVISION : 28/03/22

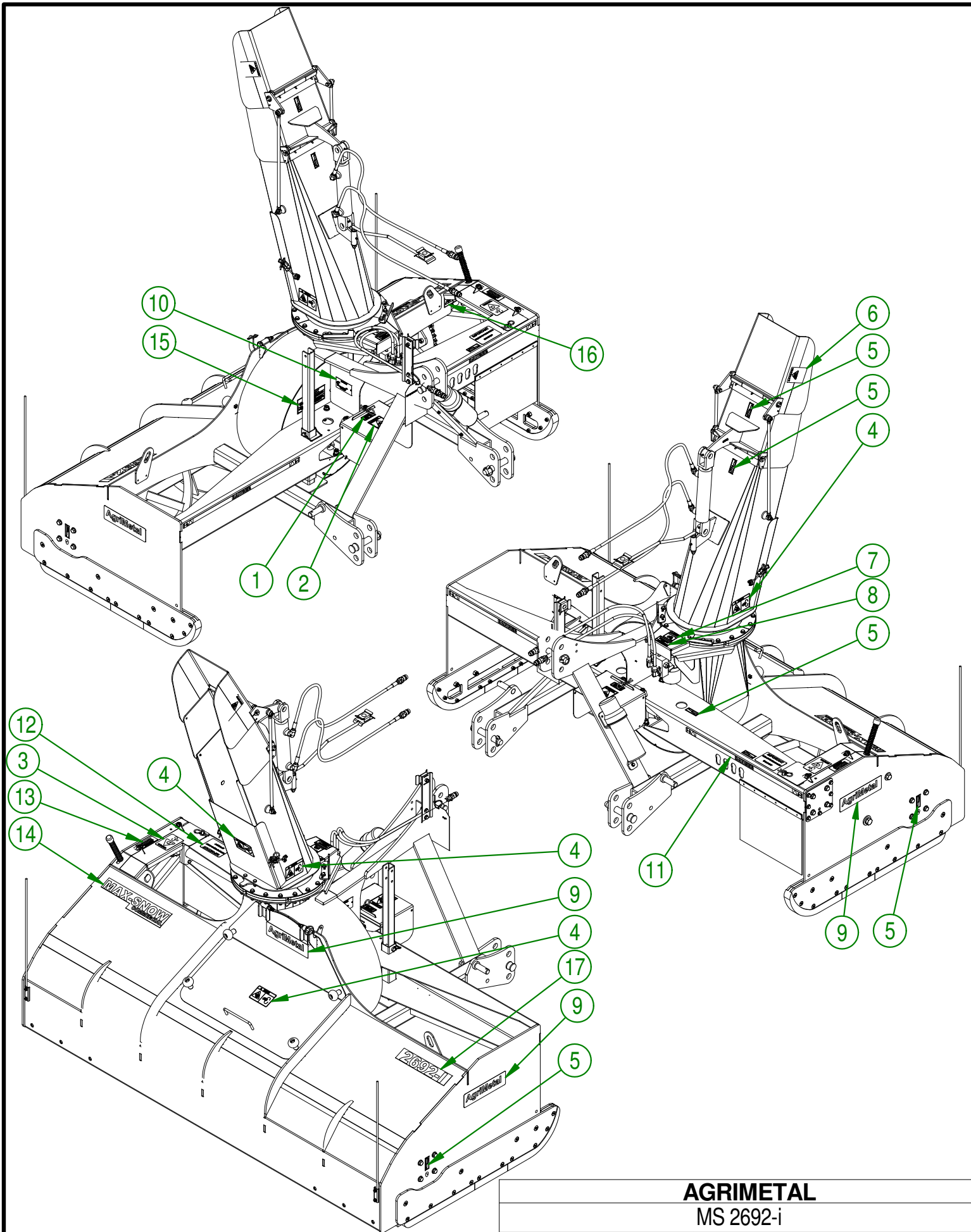
ASSEMBLY : **84-57-0410**  
 AUTHOR : F.HÉLIE



#	PART #	Qty	TITLE
1	NCI3-30-0237	1	PLASTIC TUBE FOR OPERATOR'S MANUAL
2	NC02-22-0008	2	WASHER ZINC 5/16"
3	NC01-17-0007	2	HEX. BOLT GR2 ZINC 1/4-20 X 1 1/4"
4	NC01-96-0009	2	NYLON-INSERT LOCKNUT ZINC 1/4-20
5	81-57-0030	1	SET OF 6 SHEAR BOLT WITH NUT
6	84-98-0520	1	ENGLISH OPERATOR'S MANUAL (MS2692-i, MS2482-i)



<b>AGRIMETAL</b>	
OPERATOR'S MANUAL TUBE GROUP	
CREATION : 03/01/18	ASSEMBLY : <b>84-57-1320</b>
REVISION : 03/01/18	AUTHOR : F.HÉLIE   Page 16 de 18



**AGRIMETAL**  
MS 2692-i

CREATION : 09/08/19  
REVISION : 09/08/19

ASSEMBLY : **84-99-0102**

AUTHOR : F.HÉLIE Page 17 de 18

#	PART #	QTY	TITLE
1	NC13-33-0005	1	STICKER MAXIMUM 540 RPM
2	NC13-33-0187	1	STICKER DANGER (PTO AND PERSON)
3	NC13-33-0283	1	STICKER DANGER (PERSON AND CHAIN DRIVE)
4	NC13-33-0249	4	STICKER DANGER
5	NC13-33-0024	6	STICKER GREASE HERE
6	NC13-33-0192	2	STICKER (PROJECTION RISK)
7	NC13-33-0326	1	STICKER DANGER (HAND)
8	NC13-33-0327	1	STICKER END ROTATION ADJUSTMENT
9	NC13-33-0035	3	STICKER AGRIMETAL
10	NC13-50-0086	1	SERIAL NUMBER PLATE
11	NC13-33-0274	2	STICKER DANGER
12	NC13-33-0281	1	STICKER SHEAR BOLT
13	NC13-33-0182	1	STICKER IMPORTANT 4 1/4 INCHES 110mm
14	NC13-33-0241	1	STICKER MAX-SNOW COMMERCIAL
15	NC13-33-0317	1	STICKER GREASE DRIVE LINE TELESCOPIC SHAFT
16	NC13-33-0247	1	STICKER DANGER
17	NC13-33-0316	1	STICKER 2692-i

**AGRIMETAL**

MS 2692-i

CREATION : 09/08/19  
 REVISION : 09/08/19

ASSEMBLY : **84-99-0102**

AUTHOR : F.HÉLIE Page 18 de 18