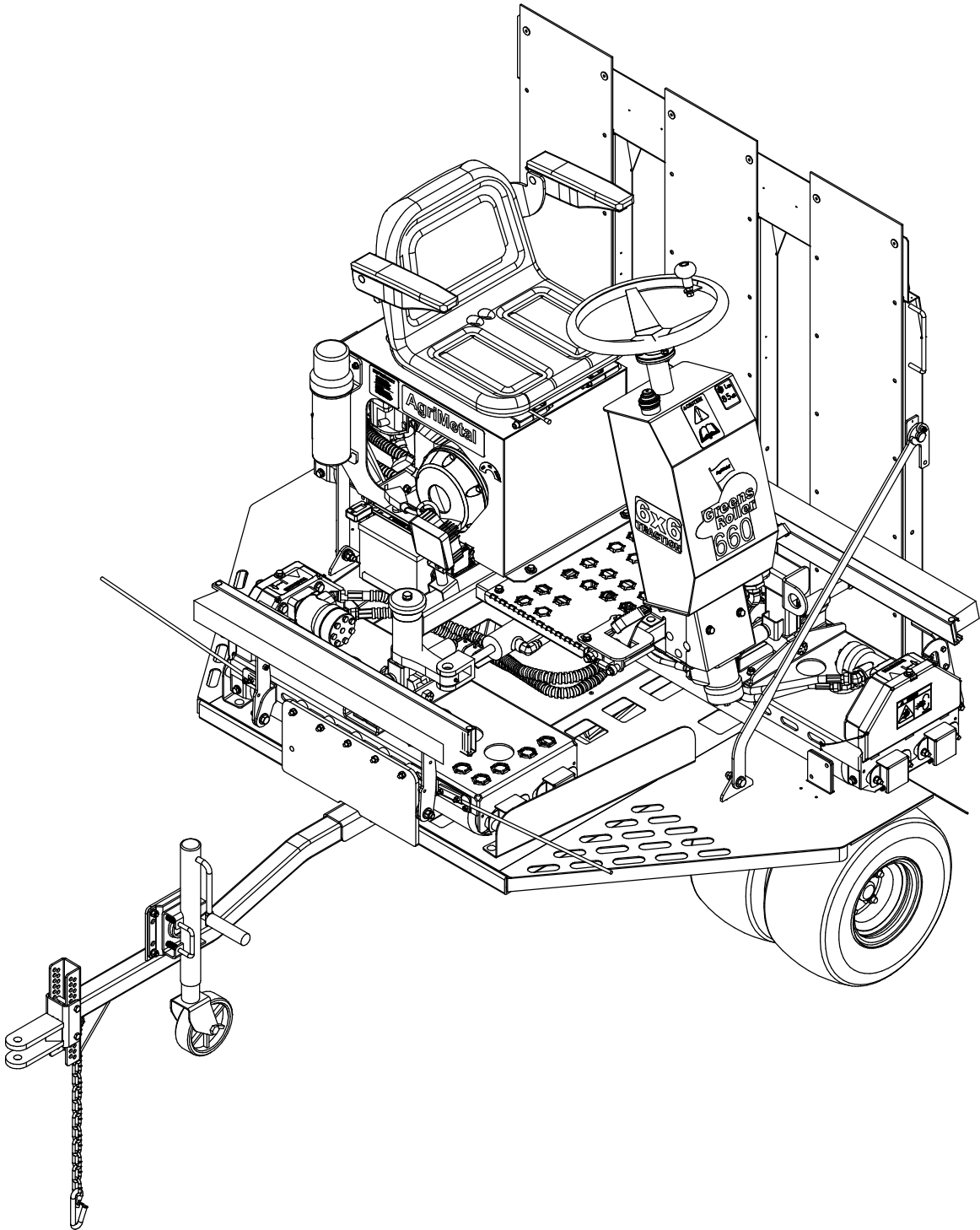
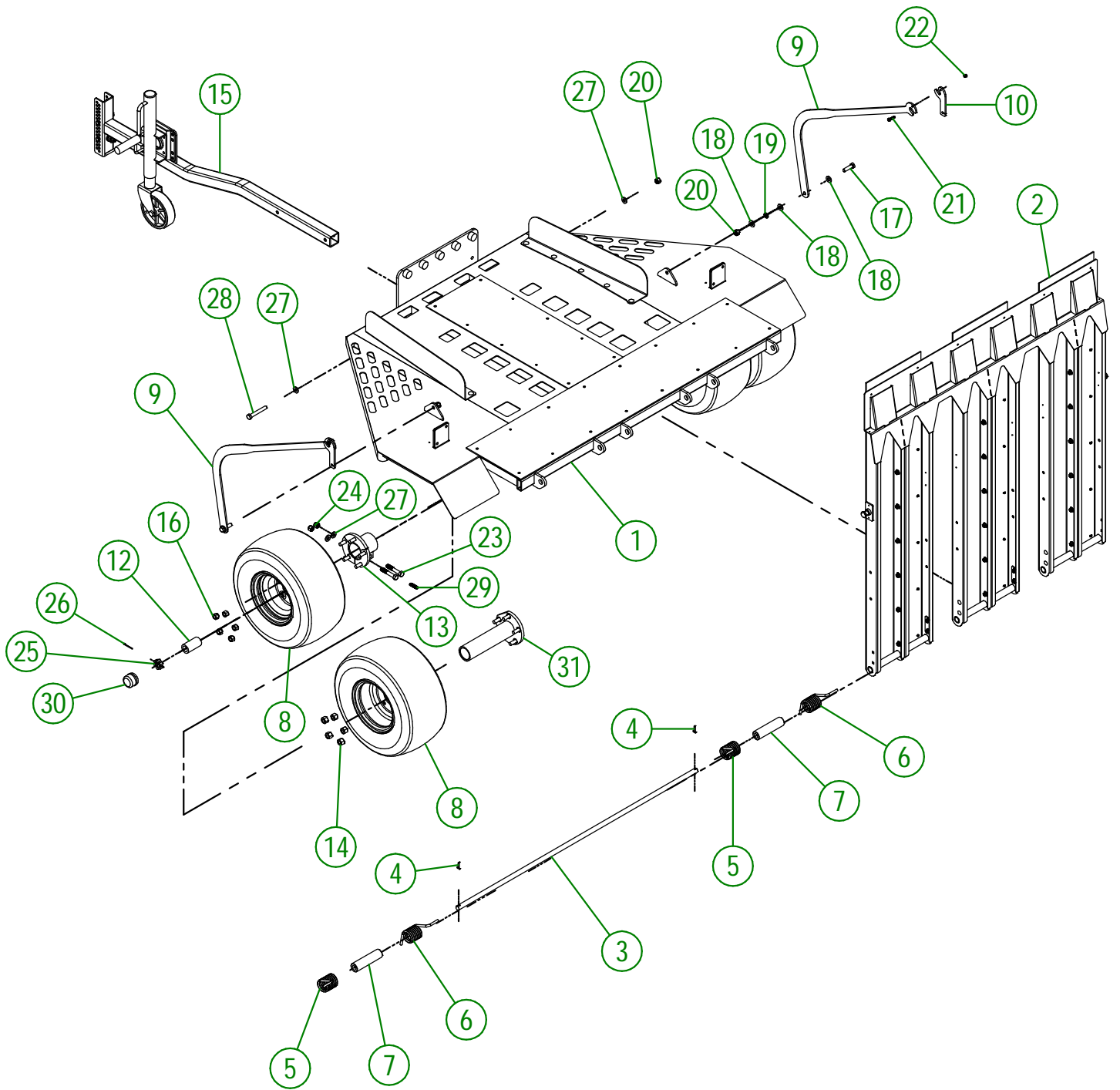


AgriMetal

PARTS LIST



GR 660-F (4 WHEELS)



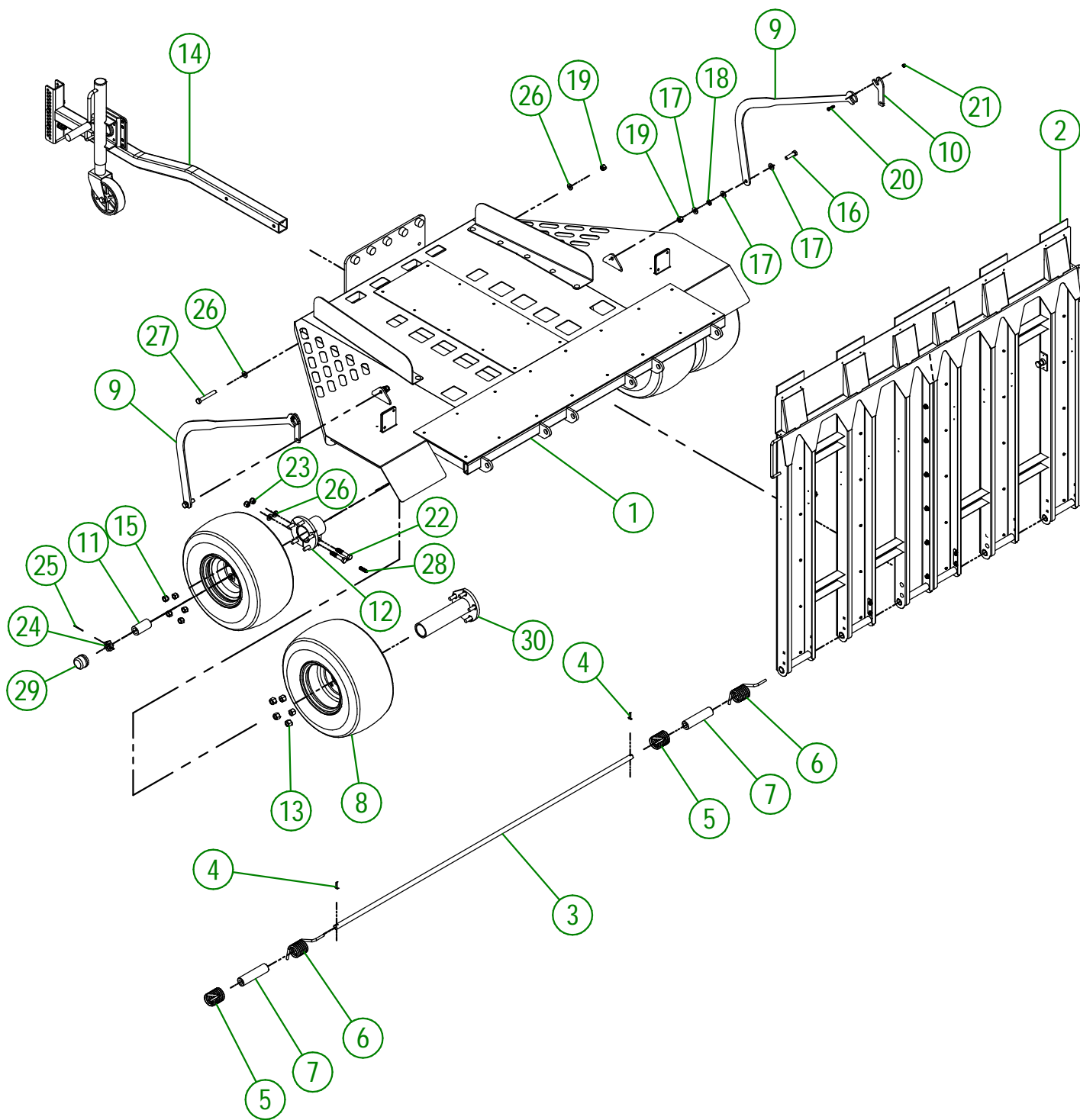
USE THESE PIECES ONLY IF YOUR SERIAL
NUMBER IS AFFECTED:

#43511 AND UNDER

AGRIMETAL	
TRAILER (4 WHEELS) & PALLET OF TRANSPORT	
CREATION : 20/02/20	ASSEMBLY : 39-55-0350
REVISION : 24/08/23	AUTHOR : D. Bevins

39-55-0350

#	PART #	Qty	TITLE
1	39-57-0350	1	TRAILER (4 WHEELS)
2	39-55-0306	1	RAMP
3	39-13-1010	1	PIVOT RAMP
4	NC01-69-0159	2	COTTER PIN ZINC 3/16 X 1 1/2"
5	NC13-85-0054	2	TRAILER RAMP SPRING
6	NC13-85-0053	2	TRAILER RAMP SPRING
7	39-42-0120	2	SPRING BUSHING
8	NC14-70-0641	4	TRAILER WHEEL
9	39-04-0356	2	RAMP LOCK (RIGHT) GR660-E
10	39-04-0360	2	DOOR LOCK
11*	NC14-70-0093	1	EXTERIOR BEARING
12	39-09-0015	2	WHEEL AXLE RING
13	39-55-0180	2	WHEEL HUB
14	39-25-0005	10	INTERIOR WHEEL HUB NUT
15	39-55-0313	1	PRE-ASSEM. TONGUE
16	NC02-12-0005	10	HEX. NUT ZINC 1/2-20
17	NC01-17-0250	2	HEX. BOLT GR2 ZINC 1/2-13 X 1 3/4"
18	NC02-25-0011	6	WASHER SAE ZINC 17/32 ID
19	NC02-32-0014	2	LOCK WASHER ZINC 1/2"
20	NC01-96-0014	5	NYLON-INSERT LOCKNUT ZINC 1/2-13
21	NC01-29-0006	2	HEX. BOLT GR5 NF ZINC 1/4-28 X 1 1/2
22	NC01-97-0004	2	NYLON-INSERT LOCKNUT ZINC 1/4-28
23	NC01-29-0255	4	HEX. BOLT GR2 ZINC 1/2-13 X 3"
24	NC01-97-0008	4	HEX. LOCK NUT NYLO. NF Z 1/2-20
25	NC14-70-0310	2	SLOTTED NUT 1-14
26	NC14-70-0311	2	COTTER PIN ZINC 5/32" X 2"
27	01-01-0925	9	WASHER
28	NC01-17-0257	3	HEX. BOLT GR2 ZINC 1/2-13 X 3 1/2"
29	NC02-44-0124	2	3/8-16 X 1 1/2 SET SCREW
30	NC14-70-0092	2	DUST GUARD
31	39-55-0335	2	WHEEL HUB ASS'Y



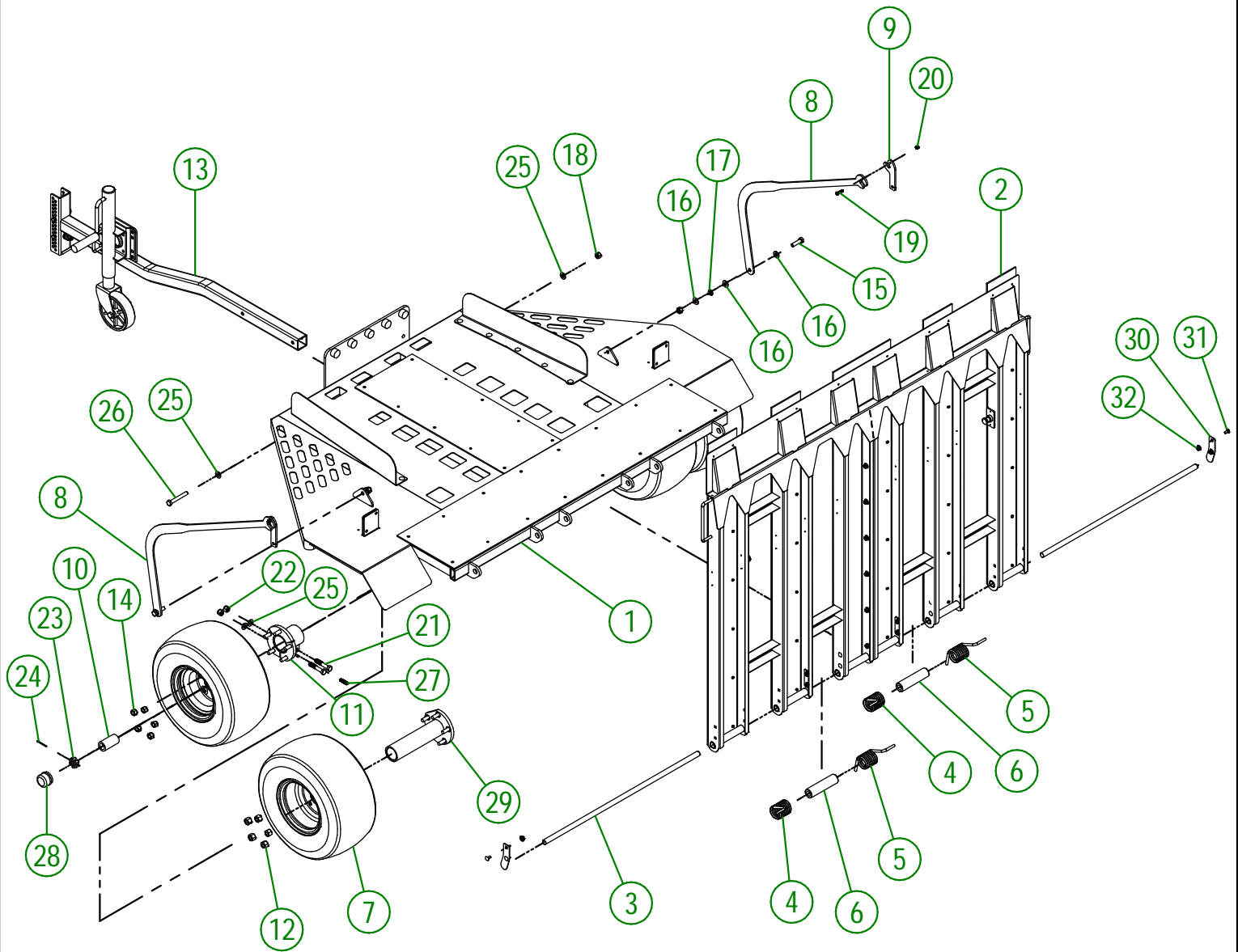
USE THESE PIECES ONLY IF YOUR SERIAL
NUMBER IS AFFECTED:

BETWEEN #43512 AND 43937

AGRIMETAL	
TRAILER (4 WHEELS)	
CREATION : 19/09/22	ASSEMBLY : 39-55-0351
REVISION : 05/07/23	AUTHOR : D. CHASSÉ

39-55-0351

#	PART #	Qty	TITLE
1	39-57-0350	1	TRAILER (4 WHEELS)
2	39-55-0307	1	PRE-ASS'Y RAMP
3	39-13-1015	1	PIVOT RAMP
4	NC01-69-0159	2	COTTER PIN ZINC 3/16 X 1 1/2"
5	NC13-85-0054	2	TRAILER RAMP SPRING
6	NC13-85-0053	2	TRAILER RAMP SPRING
7	39-42-0120	2	SPRING BUSHING
8	NC14-70-0641	4	TRAILER WHEEL
9	39-04-0356	2	RAMP LOCK (RIGHT) GR660-E
10	39-04-0360	2	DOOR LOCK
11	39-09-0015	2	WHEEL AXLE RING
12	39-55-0180	2	WHEEL HUB
13	39-25-0005	10	INTERIOR WHEEL HUB NUT
14	39-55-0313	1	PRE-ASSEM. TONGUE
15	NC02-12-0005	10	HEX. NUT ZINC 1/2-20
16	NC01-17-0250	2	HEX. BOLT GR2 ZINC 1/2-13 X 1 3/4"
17	NC02-25-0011	6	WASHER SAE ZINC 17/32 ID
18	NC02-32-0014	2	LOCK WASHER ZINC 1/2"
19	NC01-96-0014	5	NYLON-INSERT LOCKNUT ZINC 1/2-13
20	NC01-29-0006	2	HEX. BOLT GR5 NF ZINC 1/4-28 X 1 1/2
21	NC01-97-0004	2	NYLON-INSERT LOCKNUT ZINC 1/4-28
22	NC01-29-0253	4	HEX. BOLT GR2 ZINC 1/2-20 X 2 1/2"
23	NC01-97-0008	4	HEX. LOCK NUT NYLO. NF Z 1/2-20
24	NC14-70-0310	2	SLOTTED NUT 1-14
25	NC14-70-0311	2	COTTER PIN ZINC 5/32" X 2"
26	01-01-0925	9	WASHER
27	NC01-17-0257	3	HEX. BOLT GR2 ZINC 1/2-13 X 3 1/2"
28	NC02-44-0124	2	3/8-16 X 1 1/2 SET SCREW
29	NC14-70-0092	2	DUST GUARD
30	39-55-0335	2	WHEEL HUB ASS'Y



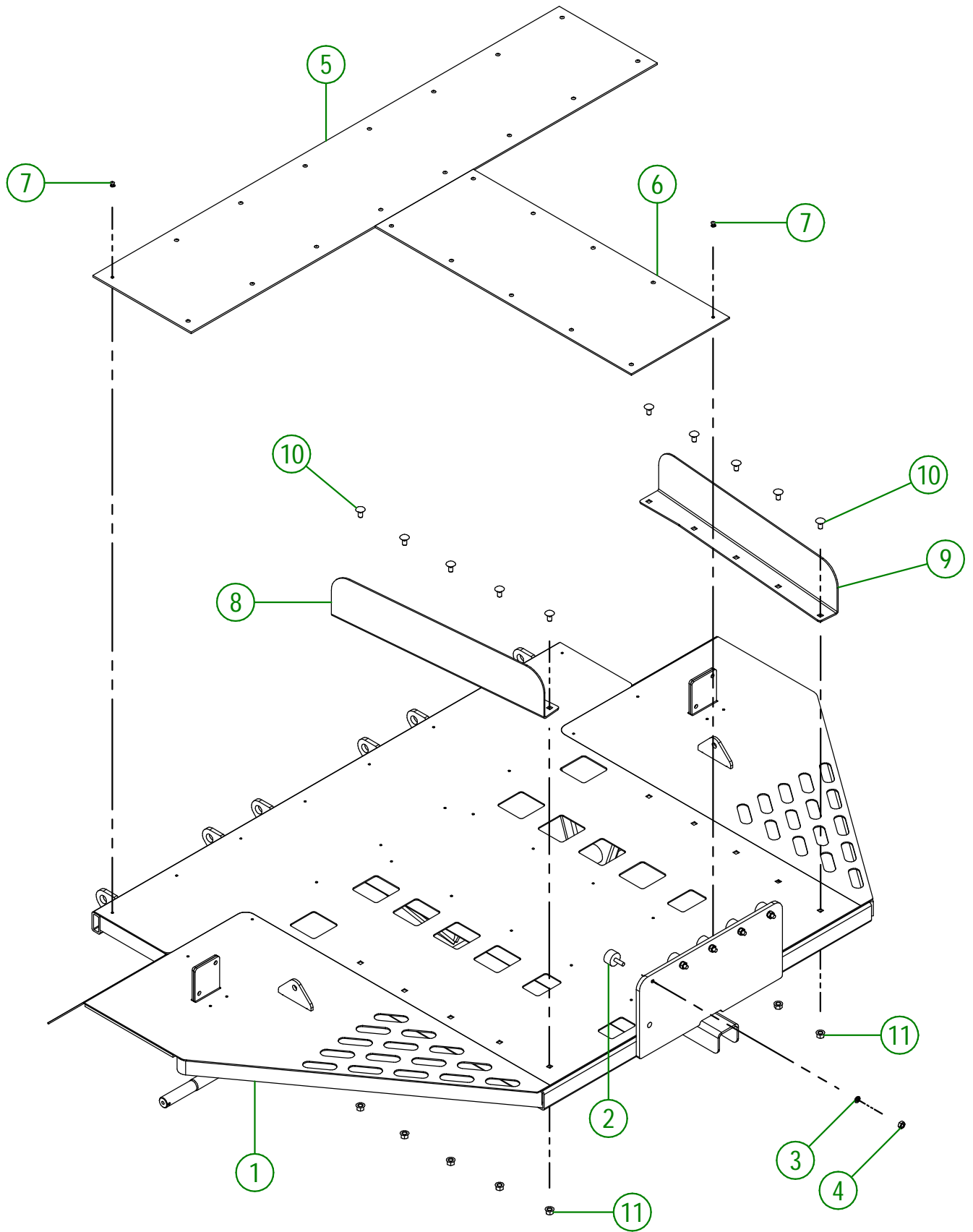
USE THESE PIECES ONLY IF YOUR SERIAL
NUMBER IS AFFECTED:

#43938 ET PLUS

AGRIMETAL	
TRAILER (4 WHEELS)	
CREATION : 11/04/23	ASSEMBLY : 39-55-0352
REVISION : 05/07/23	AUTHOR : D. CHASSÉ

39-55-0352

#	PART #	QTY	TITLE
1	39-57-0350	1	TRAILER (4 WHEELS)
2	39-55-0307	1	PRE-ASS'Y RAMP
3	39-13-1016	2	PIVOT RAMP
4	NC13-85-0054	2	TRAILER RAMP SPRING
5	NC13-85-0053	2	TRAILER RAMP SPRING
6	39-42-0120	2	SPRING BUSHING
7	NC14-70-0641	4	TRAILER WHEEL
8	39-04-0356	2	RAMP LOCK (RIGHT) GR660-E
9	39-04-0360	2	DOOR LOCK
10	39-09-0015	2	WHEEL AXLE RING
11	39-55-0180	2	WHEEL HUB
12	39-25-0005	10	INTERIOR WHEEL HUB NUT
13	39-55-0313	1	PRE-ASSEM. TONGUE
14	NC02-12-0005	10	HEX. NUT ZINC 1/2-20
15	NC01-17-0250	2	HEX. BOLT GR2 ZINC 1/2-13 X 1 3/4"
16	NC02-25-0011	6	WASHER SAE ZINC 17/32 ID
17	NC02-32-0014	2	LOCK WASHER ZINC 1/2"
18	NC01-96-0014	5	NYLON-INSERT LOCKNUT ZINC 1/2-13
19	NC01-29-0006	2	HEX. BOLT GR5 NF ZINC 1/4-28 X 1 1/2
20	NC01-97-0004	2	NYLON-INSERT LOCKNUT ZINC 1/4-28
21	NC01-29-0253	4	HEX. BOLT GR2 ZINC 1/2-20 X 2 1/2"
22	NC01-97-0008	4	HEX. LOCK NUT NYLO. NF Z 1/2-20
23	NC14-70-0310	2	SLOTTED NUT 1-14
24	NC14-70-0311	2	COTTER PIN ZINC 5/32" X 2"
25	01-01-0925	9	WASHER
26	NC01-17-0257	3	HEX. BOLT GR2 ZINC 1/2-13 X 3 1/2"
27	NC02-44-0124	2	3/8-16 X 1 1/2 SET SCREW
28	NC14-70-0092	2	DUST GUARD
29	39-55-0335	2	WHEEL HUB ASS'Y
30	39-01-0385	2	PIVOT STOPPER OF RAMP
31	NC01-04-0055	4	CARR. BOLT GR2 ZINC 5/16-18 X 5/8"
32	NC02-14-0006	4	HEX. NUT SPECIAL FLANGET NC 5/16-18 B GRADE

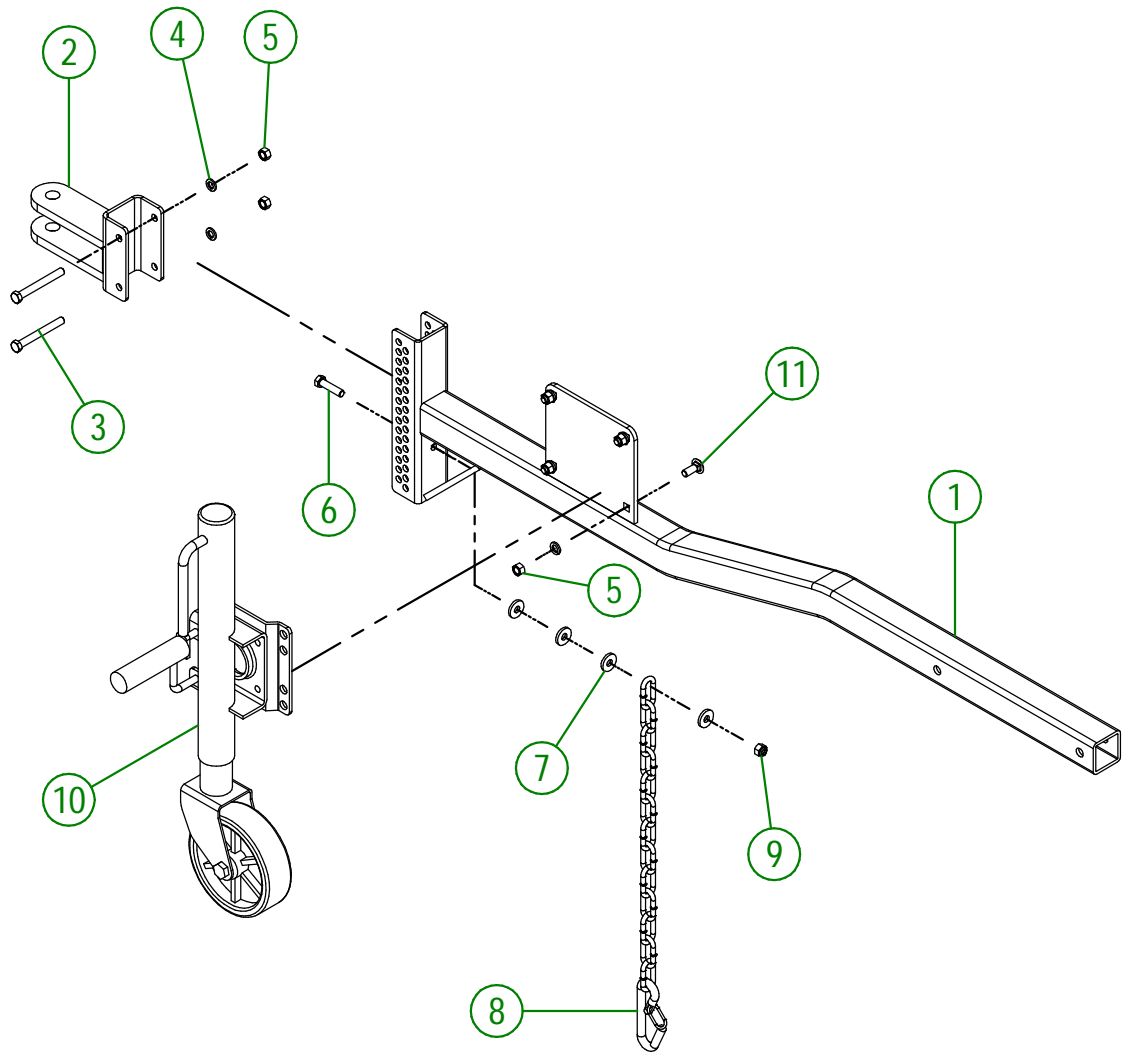


AGRIMETAL	
TRAILER (4 WHEELS)	
CREATION : 20/02/20	ASSEMBLY : 39-57-0350
REVISION : 20/12/21	AUTHOR : D. Bevins

39-57-0350

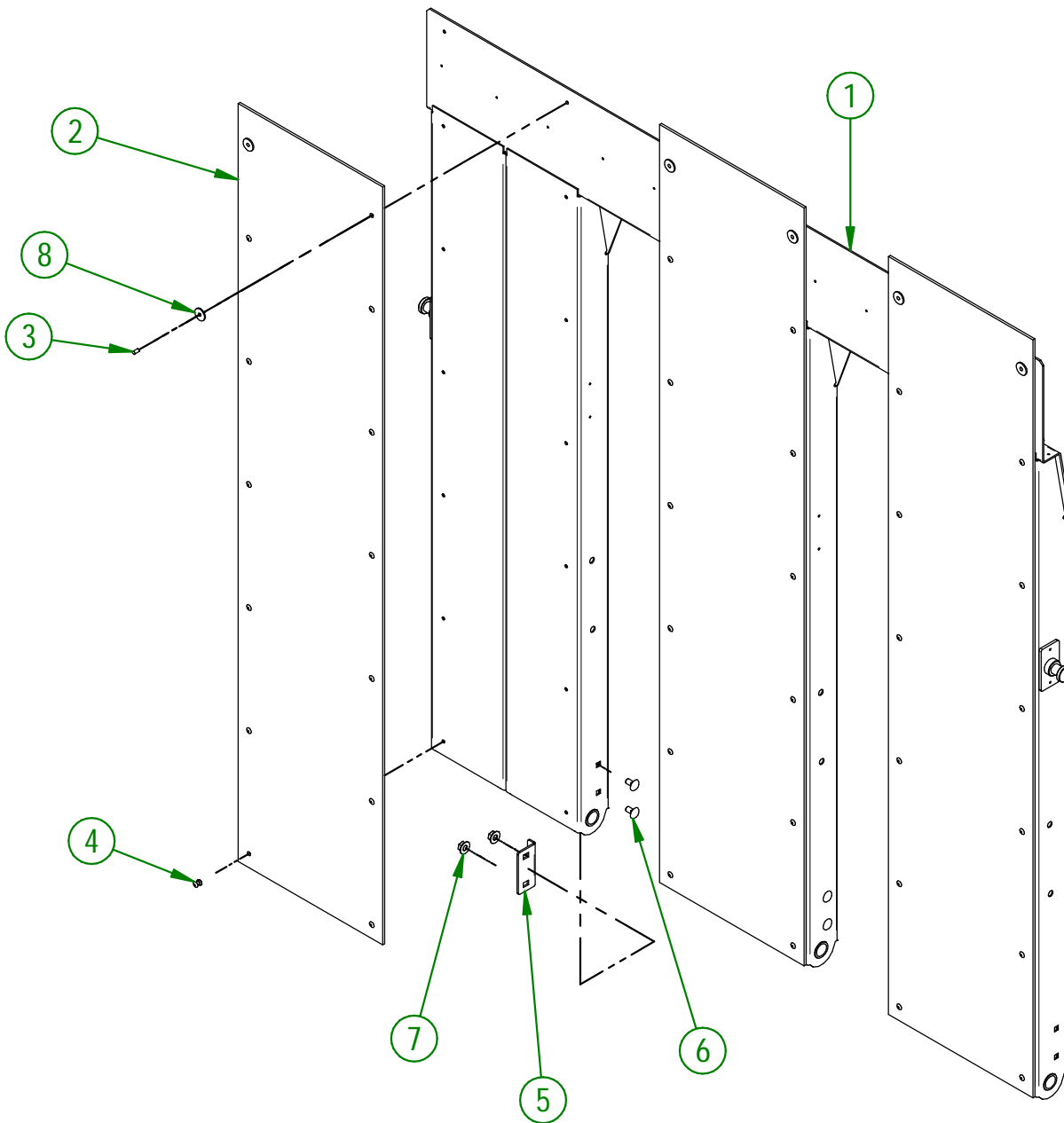
#	PART #	Qty	TITLE
1	39-50-0302	1	TRAILER (4 WHEELS)
2	NC13-15-0034	5	RUBBER ABSORBER
3	NC02-32-0011	5	LOCK WASHER ZINC 5/16"
4	NC02-07-0017	5	HEX. NUT 5/16-18
5	39-42-0037	1	TRAILER RUBBER (BEHIND)
6	39-42-0042	1	TRAILER RUBBER (CENTER)
7	NC01-78-0300	26	RIVETS AC. AV. SUPR. TI. AC. .187 X .515 CAP. RIVET .270
8	39-01-0200	1	POSITIONING GUIDE (RIGHT) GR660-E
9	39-01-0205	1	POSITIONING GUIDE (LEFT) GR660-E
10	NC01-04-0107	10	CARR. BOLT GR2 ZINC 3/8-16 X 3/4"
11	NC02-14-0019	10	FLANGE NUT HEX. NC 3/8-16 GR. B

#	PART #	Qty	TITLE
1	39-50-0326	1	TRAILER TONGUE
2	33-50-0055	1	WELD ASSEMBLY HAND
3	NC01-17-0123	2	HEX. BOLT GR2 ZINC 3/8-16
4	NC02-32-0012	6	LOCK WASHER ZINC 3/8"
5	NC02-07-0018	6	HEX. NUT ZINC 3/8-16
6	NC01-17-0116	1	HEX. BOLT GR2 ZINC 3/8-16 X 1 1/2"
7	21-01-0950	4	FLAT WASHER IOGA 1.005" DIA X 25/64"
8	55-41-0000	1	SAFETY CHAIN
9	NC01-96-0011	1	NYLON NUT 3/8-16
10	39-55-0330	1	ADJUSTABLE WHEEL CRUTCH
11	NC01-04-0109	4	CARR. BOLT GR2 ZINC 3/8-16 X 1"



AGRIMETAL	
PRE-ASSEM. TONGUE	
CREATION : 12/02/20	ASSEMBLY : 39-55-0313
REVISION : 06/12/21	AUTHOR : D. Bevins

#	PART #	Qty	TITLE
1	39-50-0307	1	RAMP
2	39-42-0031	3	RAMP RUBBER
3	NC01-78-0405	6	STEEL BLIND POP RIVET STEEL MANDREL 0.187 X 0.690
4	NC01-78-0300	36	RIVETS AC. AV. SUPR. TI. AC. .187 X .515 CAP. RIVET .270
5	39-01-0170	4	TRAILER RAMP REINFORCEMENT
6	NC01-04-0055	8	CARR. BOLT GR2 ZINC 5/16-18 X 5/8"
7	NC02-14-0006	8	HEX. NUT SPECIAL FLANGET NC 5/16-18 B GRADE
8	16-01-2720	6	WASHER 13/16" DIA. X 13/64"

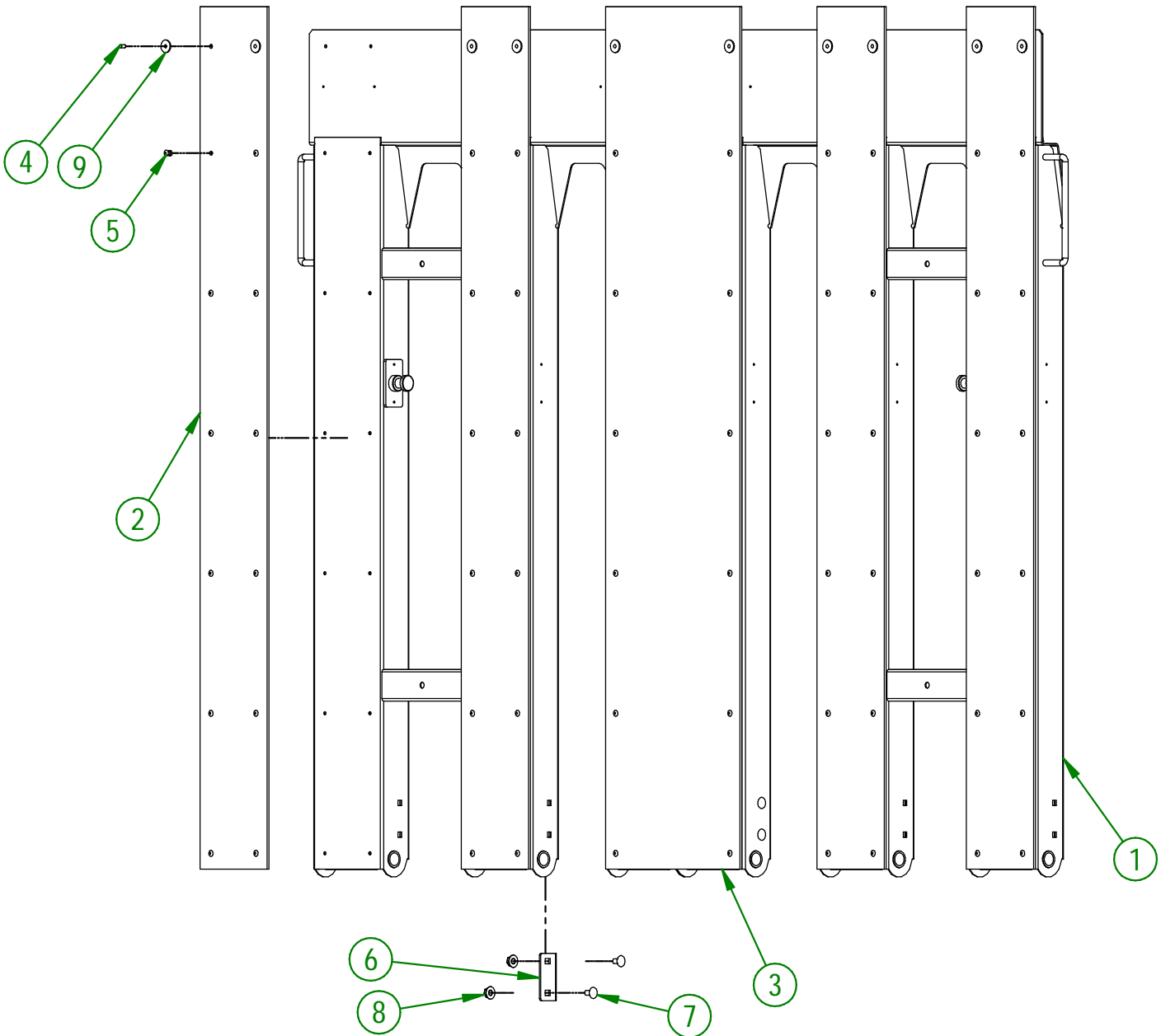


USE THESE PIECES ONLY IF YOUR SERIAL
NUMBER IS AFFECTED:

#43511 AND UNDER

AGRIMETAL	
RAMP	
CREATION : 13/02/20	ASSEMBLY : 39-55-0306
REVISION : 24/08/23	AUTHOR : D. Bevins

#	PART #	Qty	TITLE
1	39-50-0308	1	TRAILER RAMP
2	39-42-0032	4	RUBBER RAMP
3	39-42-0031	1	RAMP RUBBER
4	NC01-78-0405	10	STEEL BLIND POP RIVET STEEL MANDREL 0.187 X 0.690
5	NC01-78-0300	60	RIVETS AC. AV. SUPR. TI. AC. .187 X .515 CAP. RIVET .270
6	39-01-0170	4	TRAILER RAMP REINFORCEMENT
7	NC01-04-0055	8	CARR. BOLT GR2 ZINC 5/16-18 X 5/8"
8	NC02-14-0006	8	HEX. NUT SPECIAL FLANGET NC 5/16-18 B GRADE
9	16-01-2720	10	WASHER 13/16" DIA. X 13/64"

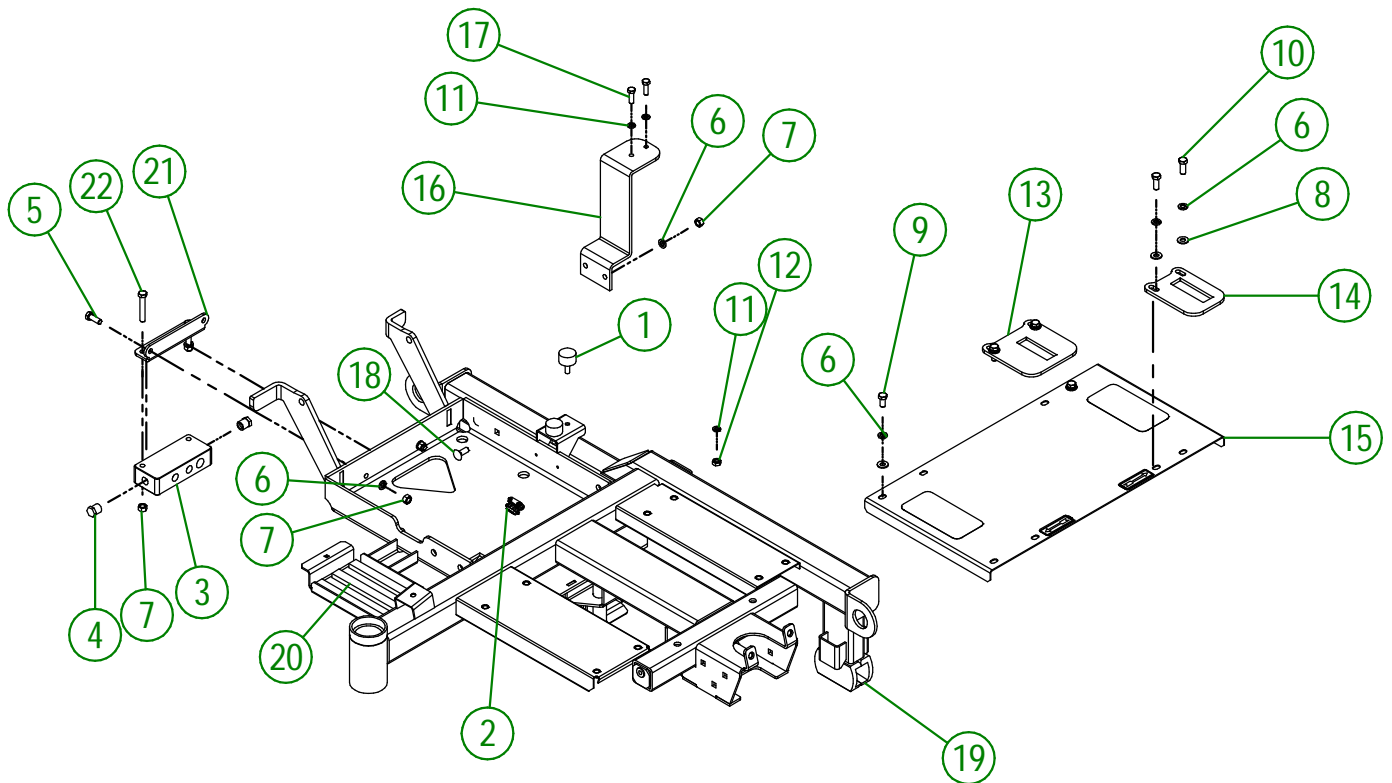


USE THESE PIECES ONLY IF YOUR SERIAL NUMBER IS AFFECTED:

#43512 ET PLUS

AGRIMETAL	
PRE-ASS'Y RAMP	
CREATION : 15/09/22	ASSEMBLY : 39-55-0307
REVISION : 25/08/23	AUTHOR : D. CHASSÉ

#	PART #	Qty	TITLE
1	NC13-15-0034	2	RUBBER ABSORBER
2	NC13-25-0378	2	WHITE METAL CONNECTOR
3	39-21-0200	1	HYDRAULIC DISPENSING BLOCK
4	NC13-45-0221	2	HEXAGONAL PLUG
5	NC01-25-0114	2	HEX. BOLT GR2 ZINC 3/8-16 X 1"
6	NC02-32-0012	12	LOCK WASHER ZINC 3/8"
7	NC02-07-0018	6	HEX. NUT ZINC 3/8-16
8	01-01-2485	6	FLAT WASHER 14 GA X 13/16"OD X 25/64" ID
9	NC01-17-0112	2	HEX. BOLT GR2 ZINC 3/8-16 X 3/4"
10	NC01-17-0114	4	HEX. BOLT GR2 ZINC 3/8-16 X 1"
11	NC02-32-0011	4	LOCK WASHER ZINC 5/16"
12	NC02-07-0017	2	HEX. NUT 5/16-18
13	39-04-0186	1	STOPPER PLATE FOR PEDAL (RIGHT)
14	39-04-0188	1	STOPPER PLATE FOR PEDAL (LEFT)
15	39-57-0125	1	FOOTBOARD "STICKER INCLUDED"
16	39-50-0020	1	OIL FILTER HOLDER
17	NC01-17-0060	2	HEX. BOLT GR2 ZINC 5/16-18 X 1"
18	NC01-04-0109	2	CARR. BOLT GR2 ZINC 3/8-16 X 1"
19	39-50-0001	1	FRAME
20	39-42-0160	3	BLACK ADHESIVE-BACK STRIP
21	39-04-0610	1	HYDRAULIC BLOCK SUPPORT
22	NC01-17-0119	2	HEX. BOLT GR2 ZINC 3/8-16 X 2 1/4"



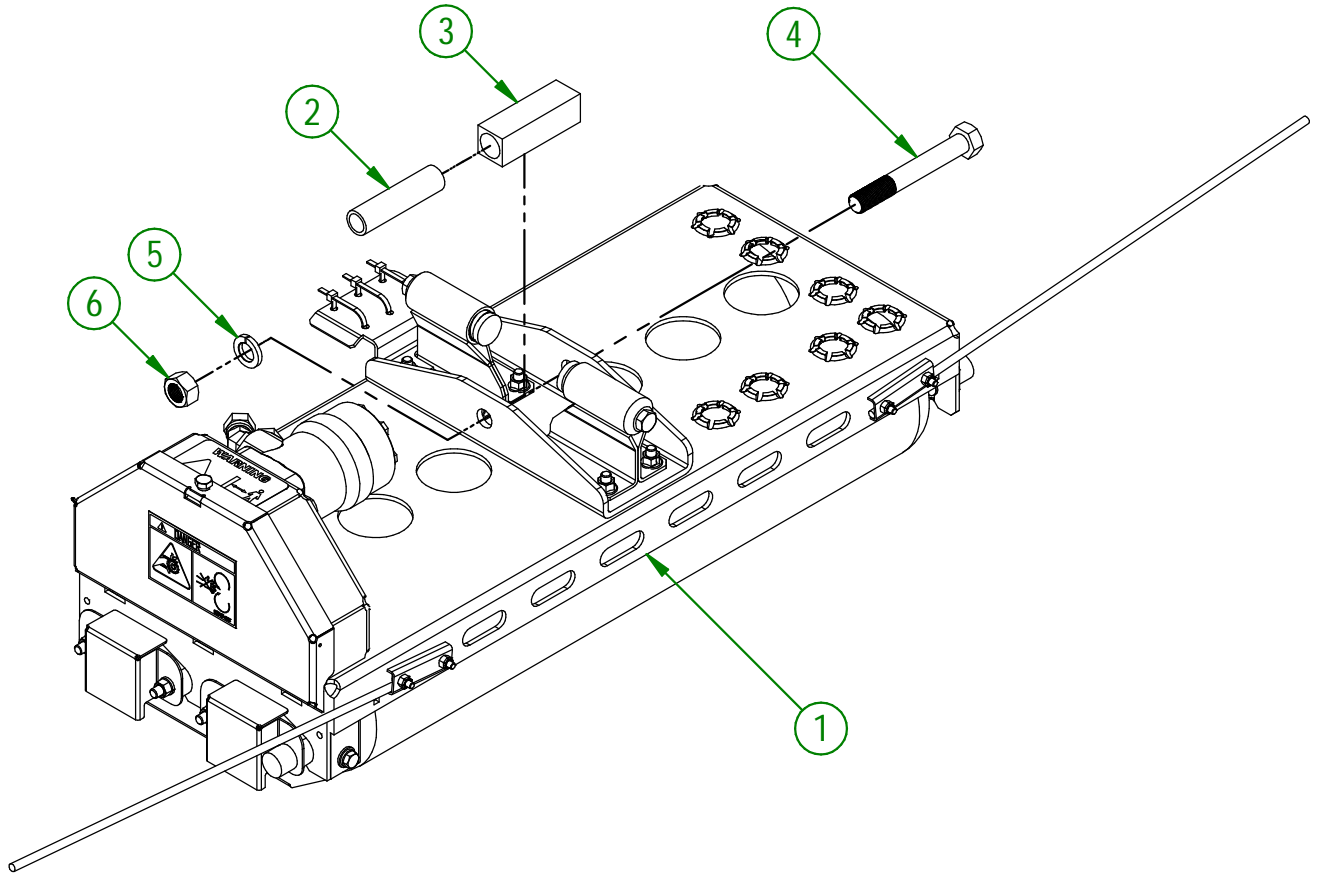
AGRIMETAL
FRAME GROUP

CREATION : 07/05/20
REVISION : 24/11/23

ASSEMBLY : **39-57-0002**
AUTHOR : D. Bevins

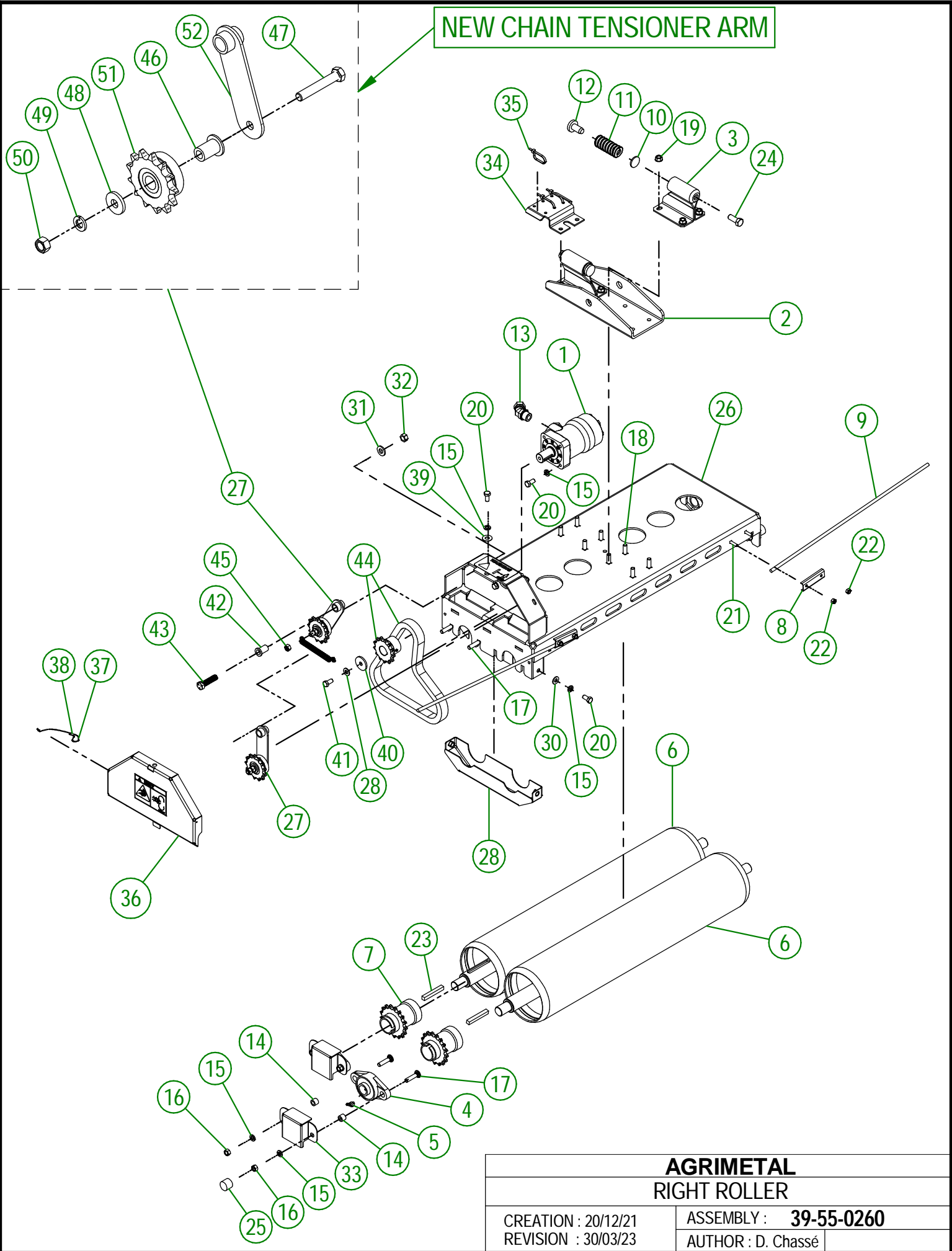
39-57-0104

#	PART #	Qty	TITLE
1	39-55-0260	1	RIGHT ROLLER
2	39-09-1205	1	BUSHING
3	39-42-0700	1	PIVOTING BLOCK
4	NC01-37-0480	1	HEX. BOLT GR8 ZINC 3/4-16 X 5 1/2"
5	NC02-32-0017	1	LOCK WASHER ZINC 3/4"
6	NC02-11-0023	1	NUT 3/4-16



AGRIMETAL	
RIGHT ROLLER GROUP	
CREATION : 20/12/21	ASSEMBLY : 39-57-0104
REVISION : 20/12/21	AUTHOR : D. Bevins

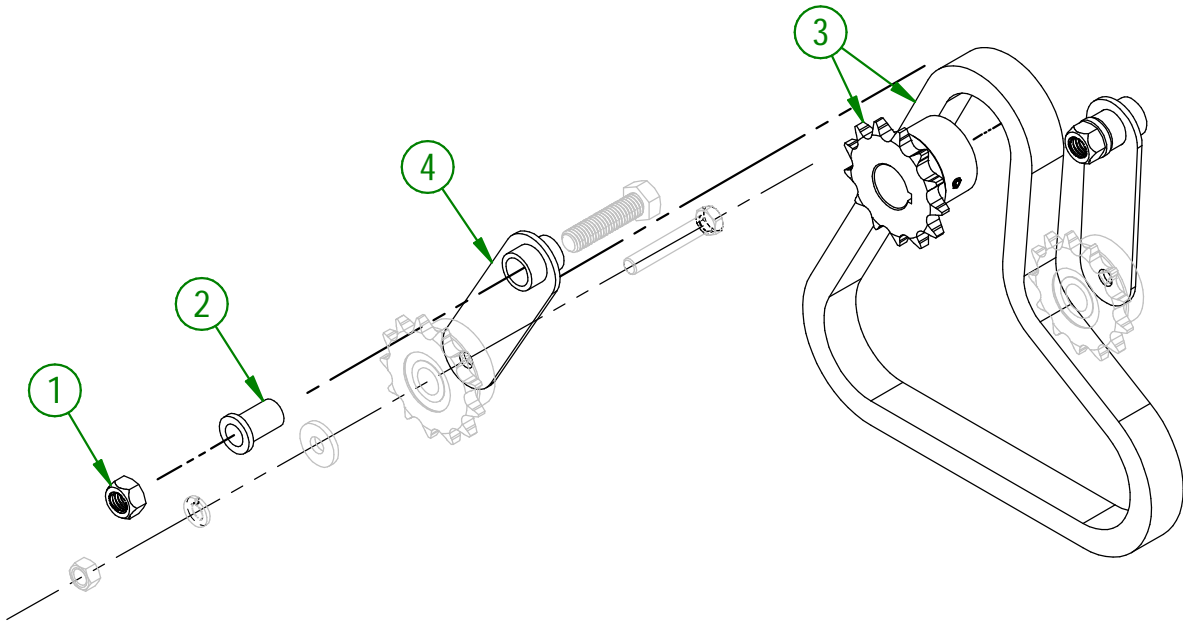
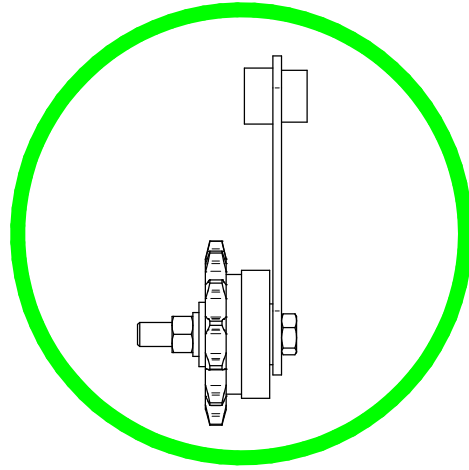
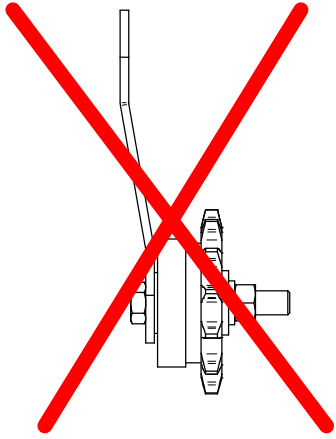
NEW CHAIN TENSIONER ARM



AGRIMETAL	
RIGHT ROLLER	
CREATION : 20/12/21	ASSEMBLY : 39-55-0260
REVISION : 30/03/23	AUTHOR : D. Chassé

IMPORTANT

IF YOUR CHAIN TENSIONER ARMS HAVE BENDS LIKE THE PICTURE, YOU HAVE TO ORDER THE REPLACEMENT KIT 39-57-0225



39-57-0225

#	PART #	Qty	TITLE
1	NC01-93-0014	2	LOCK NUT ZINC 1/2-13
2	39-13-0115	2	BUSHING
3	39-57-0225	1	CHAIN AND SPOCKET KIT
4	39-50-0155	2	CHAIN TENSIONNER PIVOT

39-55-0260

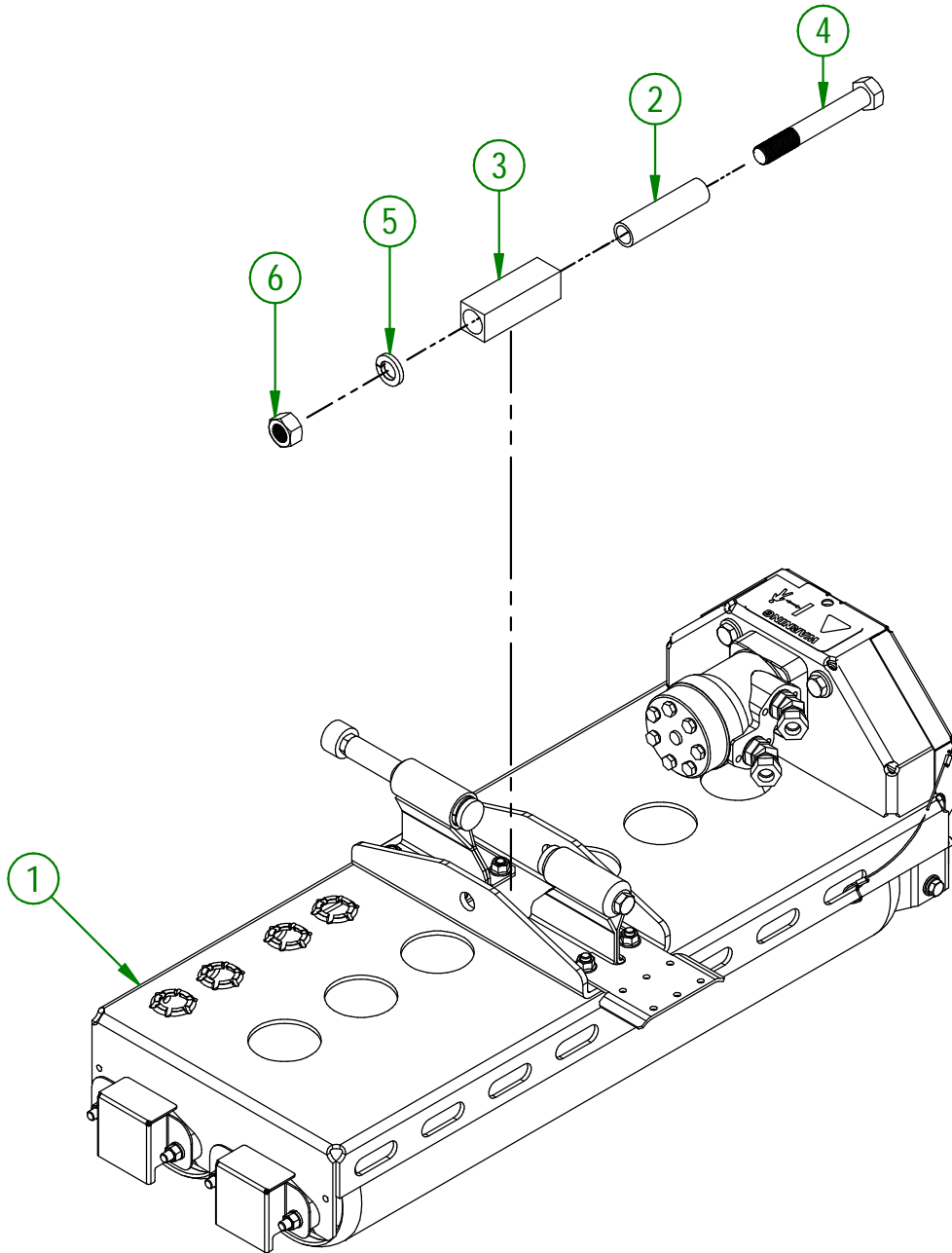
#	PART #	Qty	TITLE
1	NC14-45-0041	1	100cc HYDRAULIC MOTOR
2	39-04-0225	1	ROLLER SUPPORT
3	39-50-0045	2	SPRING GUIDE
4	NC14-75-0019	4	FLANGE PILLOW BLOCK BEARING UCFL205-16 Ø 1"
5	NC01-69-0802	4	GREASE FITTING 6mm X 45mm
6	39-50-0096	2	ROLLER (1 KW)
7	NC14-55-0333	2	ROLLER SPROCKET
8	39-01-2440	2	GUIDE ROD CLAMP
9	39-42-0600	2	GUIDE ROD
10	39-01-1000	2	SPRING GUIDE WASHER
11	NC13-86-0159	2	RED SPRING 1 1/4"OD X 5/8"ID X 2" LG
12	39-42-0100	2	SPRING TIP
13	NC13-45-0046	2	45°-7/8-14 MALE O RING X 1/2 FEM.TOUR.NPT PT
14	01-09-0000	8	BEARING RACE (UCFL205-16)
15	NC02-32-0012	15	LOCK WASHER ZINC 3/8"
16	NC02-07-0018	8	HEX. NUT ZINC 3/8-16
17	NC01-04-0111	8	CARR. BOLT GR2 ZINC 3/8-16 X 1 1/2"
18	NC01-04-0110	8	CARR. BOLT GR2 ZINC 3/8-16 X 1 1/4"
19	NC02-14-0019	8	FLANGE NUT HEX. NC 3/8-16 GR. B
20	NC01-17-0112	7	HEX. BOLT GR2 ZINC 3/8-16 X 3/4"
21	NC01-04-0005	4	CARR. BOLT GR2 ZINC 1/4-20 X 1"
22	NC01-96-0009	4	NYLON-INSERT LOCKNUT ZINC 1/4-20
23	48-41-0905	2	SQUARE KEY 3/8" X 2 3/4" LG
24	NC01-17-0248	2	HEX. BOLT GR2 ZINC 1/2-13 X 1 1/4"
25	39-42-0110	2	ROLLER NUT CAP
26	39-57-0157	1	ROLLER HOUSING (RIGHT)
27	39-55-0161	2	CHAIN TENSIONER ARM
28	39-50-0130	1	ROLLER CHAIN GUARD
29	NC13-85-0058	1	CHAIN TENSIONER SPRING
30	01-01-2485	3	FLAT WASHER 14 GA X 13/16"OD X 25/64" ID
31	NC02-25-0011	2	WASHER SAE ZINC 17/32 ID
32	NC01-96-0014	2	NYLON-INSERT LOCKNUT ZINC 1/2-13
33	39-01-0130	4	BEARING GUARD
34	39-01-1051	1	HYDRAULIC HOSE SUPPORT
35	NC13-25-0019	3	NYLON CABLE TIE
36	39-57-0061	1	CHAIN GUARD
37	39-41-0000	1	ROLLER CHAIN GUARD CABLE
38	NC01-64-0005	2	OVAL SLEEVE (ALUMINUM)
39	NC02-22-0010	1	WASHER 13/32" ID
40	39-21-0075	1	WASHER FOR HYDRAULIC MOTOR
41	NC01-24-0007	1	HEX. BOLT GR5 BLACK 3/8-16 X 3/4"
42	39-13-0115	2	BUSHING
43	NC01-25-0251	2	HEX.BOLT GR5 NC ZINC 1/2-13 X 2"
44	39-57-0255	1	CHAIN AND SPOCKET KIT
45	NC01-93-0011	2	LOCK NUT 3/8-16

39-55-0161

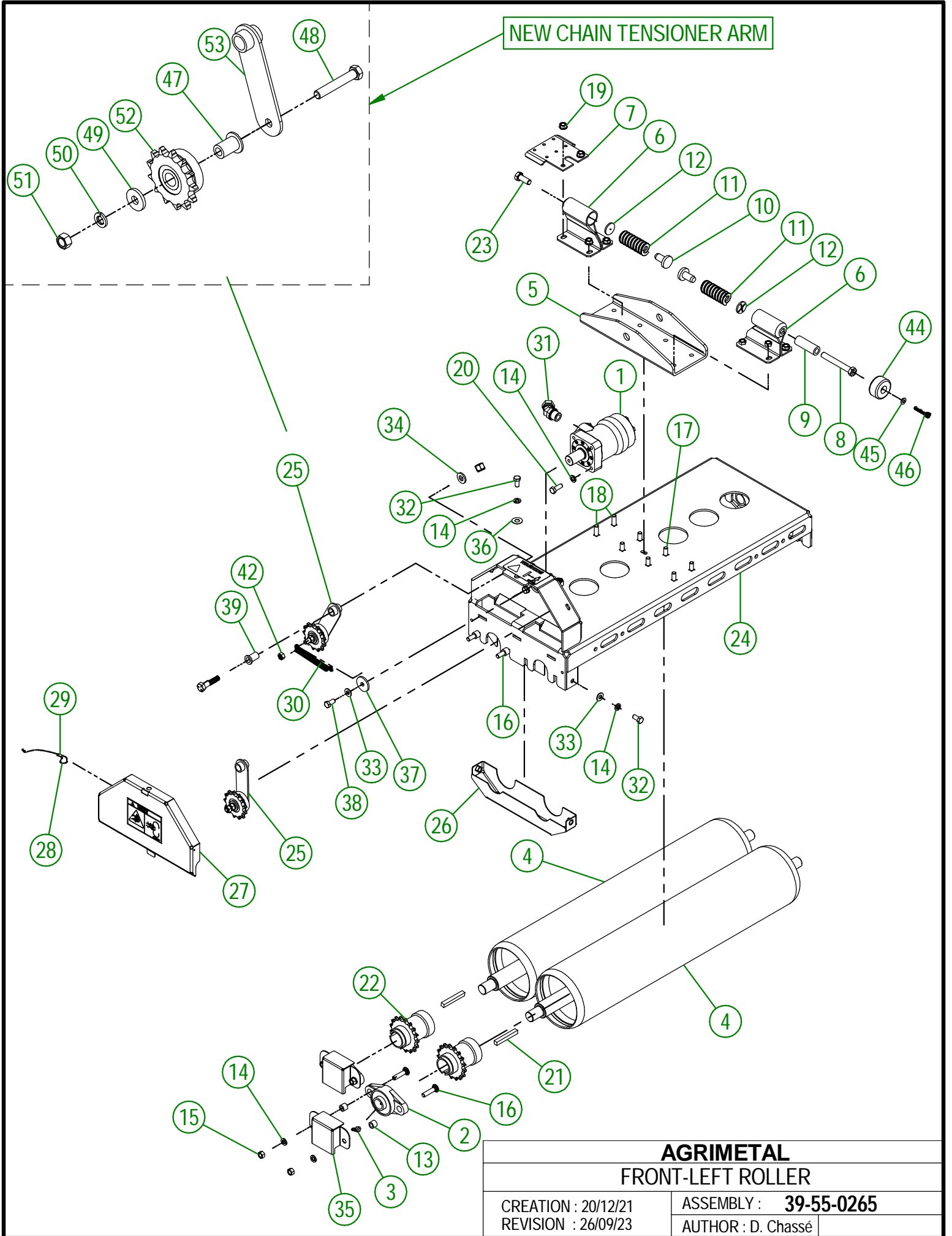
#	PART #	Qty	TITLE
46	39-21-0070	1	CHAIN TENSIONER SHAFT
47	NC01-17-0119	1	HEX. BOLT GR2 ZINC 3/8-16 X 2 1/4"
48	21-01-0950	1	FLAT WASHER 10GA 1.005" DIA X 25/64"
49	NC02-32-0012	1	LOCK WASHER ZINC 3/8"
50	NC02-07-0018	1	HEX. NUT ZINC 3/8-16
51	39-55-0165	1	CHAIN TENSIONER SPROCKET ASSEMBLY
52	39-50-0155	1	CHAIN TENSIONNER PIVOT

39-57-0109

#	PART #	Qty	TITLE
1	39-55-0265	1	FRONT-LEFT ROLLER
2	39-09-1205	1	BUSHING
3	39-42-0700	1	PIVOTING BLOCK
4	NC01-37-0480	1	HEX. BOLT GR8 ZINC 3/4-16 X 5 1/2"
5	NC02-32-0017	1	LOCK WASHER ZINC 3/4"
6	NC02-11-0023	1	NUT 3/4-16



AGRIMETAL	
FRONT-LEFT ROLLER	
CREATION : 20/12/21	ASSEMBLY : 39-57-0109
REVISION : 20/12/21	AUTHOR : D. Bevins



NEW CHAIN TENSIONER ARM

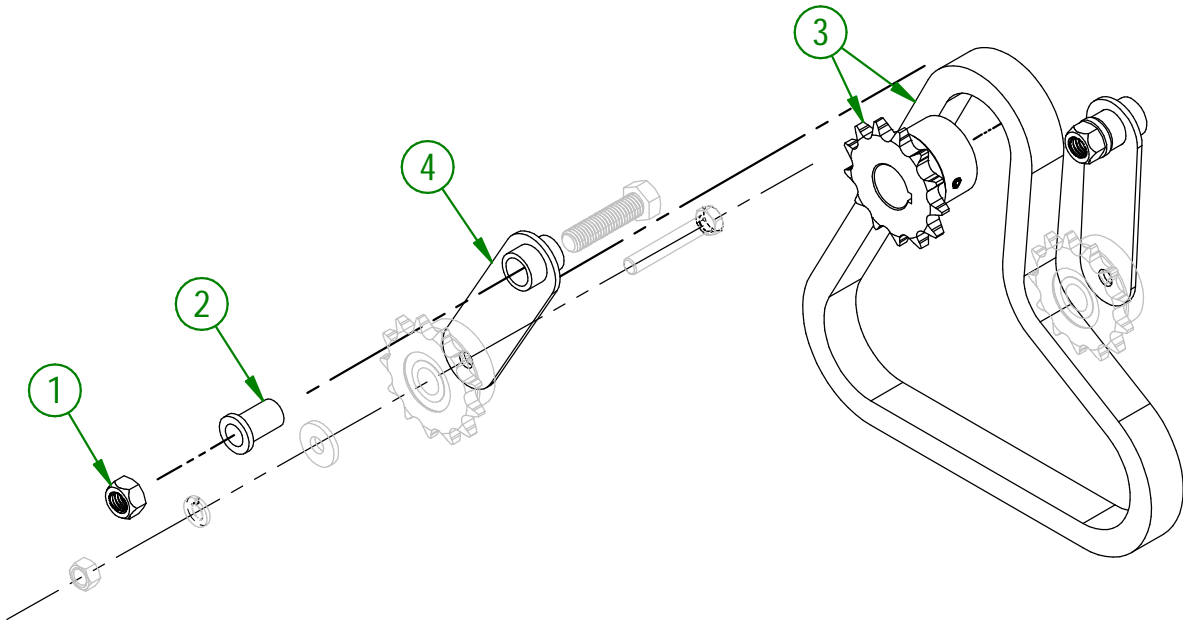
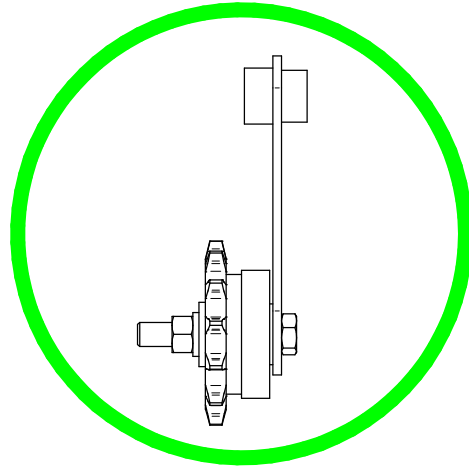
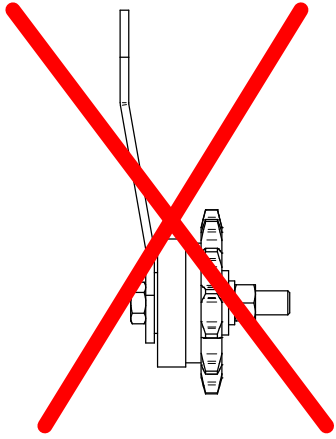
AGRIMETAL
FRONT-LEFT ROLLER

CREATION : 20/12/21
 REVISION : 26/09/23

ASSEMBLY : **39-55-0265**
 AUTHOR : D. Chassé

IMPORTANT

IF YOUR CHAIN TENSIONER ARMS HAVE BENDS LIKE THE PICTURE, YOU HAVE TO ORDER THE REPLACEMENT KIT 39-57-0225



39-57-0225

#	PART #	Qty	TITLE
1	NC01-93-0014	2	LOCK NUT ZINC 1/2-13
2	39-13-0115	2	BUSHING
3	39-57-0225	1	CHAIN AND SPOCKET KIT
4	39-50-0155	2	CHAIN TENSIONNER PIVOT

39-55-0265

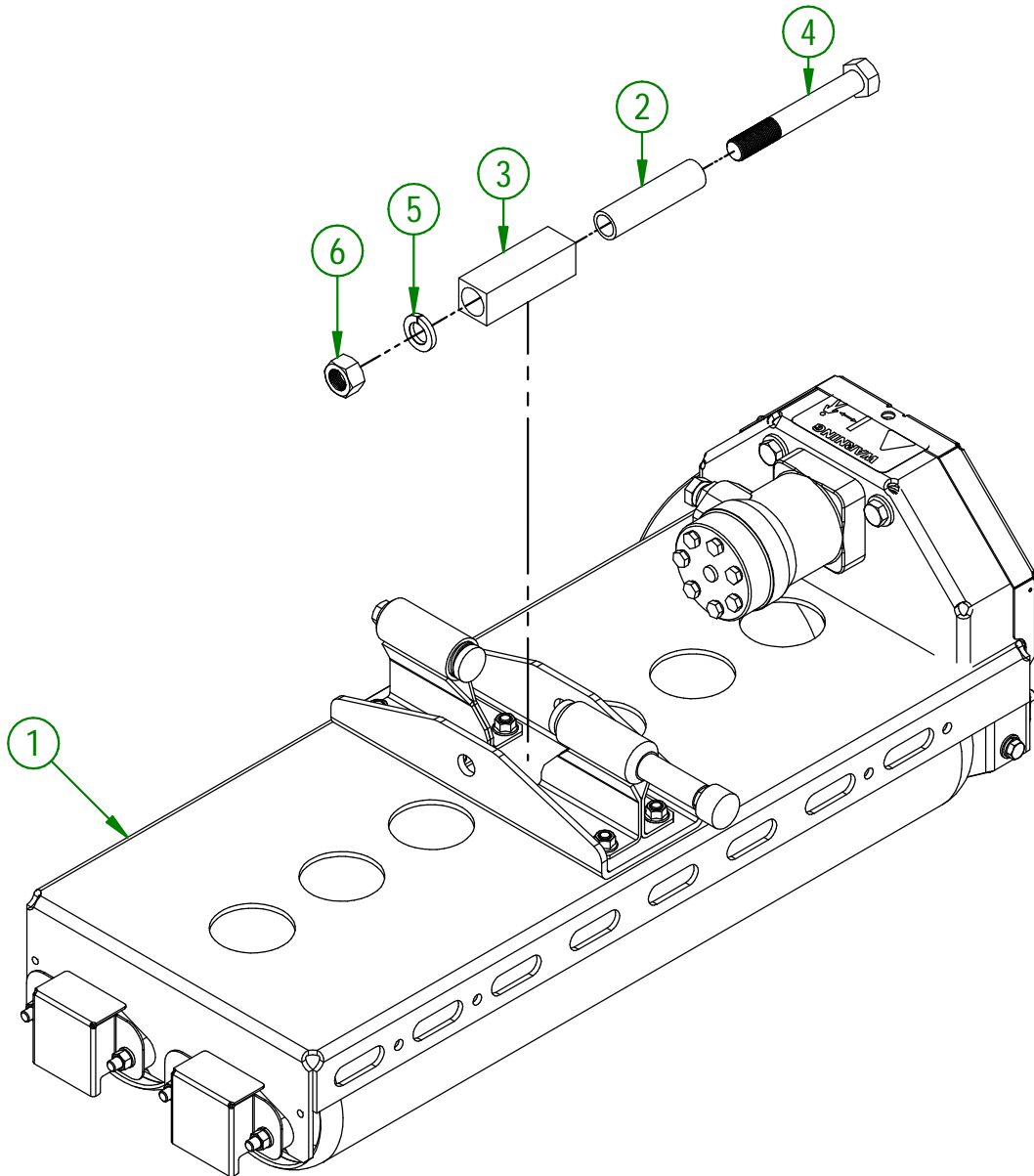
#	PART #	Qty	TITLE
1	NC14-45-0040	1	50cc HYDRAULIC MOTOR
2	NC14-75-0019	4	FLANGE PILLOW BLOCK BEARING UCFL205-16 Ø 1"
3	NC01-69-0802	4	GREASE FITTING 6mm X 45mm
4	39-50-0096	2	ROLLER (1 KW)
5	39-04-0225	1	ROLLER SUPPORT
6	39-50-0045	2	SPRING GUIDE
7	39-01-1050	1	HYDRAULIC HOSE SUPPORT
8	39-30-9957	1	RAMP STOP SPACER
9	39-21-0032	1	RAMP STOP SPACER
10	39-42-0100	2	SPRING TIP
11	NC13-86-0159	2	RED SPRING 1 1/4"OD X 5/8"ID X 2" LG
12	39-01-1000	2	SPRING GUIDE WASHER
13	01-09-0000	8	BEARING RACE (UCFL205-16)
14	NC02-32-0012	15	LOCK WASHER ZINC 3/8"
15	NC02-07-0018	8	HEX. NUT ZINC 3/8-16
16	NC01-04-0111	8	CARR. BOLT GR2 ZINC 3/8-16 X 1 1/2"
17	NC01-04-0109	6	CARR. BOLT GR2 ZINC 3/8-16 X 1"
18	NC01-04-0110	2	CARR. BOLT GR2 ZINC 3/8-16 X 1 1/4"
19	NC02-14-0019	8	FLANGE NUT HEX. NC 3/8-16 GR. B
20	NC01-17-0114	4	HEX. BOLT GR2 ZINC 3/8-16 X 1"
21	48-41-0905	2	SQUARE KEY 3/8" X 2 3/4" LG
22	NC14-55-0333	2	ROLLER SPROCKET
23	NC01-17-0248	1	HEX. BOLT GR2 ZINC 1/2-13 X 1 1/4"
24	39-57-0163	1	ROLLER HOUSING (FRONT-LEFT)
25	39-55-0161	2	CHAIN TENSIONER ARM
26	39-50-0130	1	ROLLER CHAIN GUARD
27	39-57-0061	1	CHAIN GUARD
28	39-41-0000	1	ROLLER CHAIN GUARD CABLE
29	NC01-64-0005	2	OVAL SLEEVE (ALUMINUM)
30	NC13-85-0058	1	CHAIN TENSIONER SPRING
31	NC13-45-0367	2	45°-7/8-14 MALE O RING X 1/2 FEM.TOUR.NPT PT
32	NC01-17-0112	3	HEX. BOLT GR2 ZINC 3/8-16 X 3/4"
33	01-01-2485	3	FLAT WASHER 14 GA X 13/16"OD X 25/64" ID
34	NC02-25-0011	2	WASHER SAE ZINC 17/32 ID
35	39-01-0130	4	BEARING GUARD
36	NC02-22-0010	1	WASHER 13/32" ID
37	39-21-0075	1	WASHER FOR HYDRAULIC MOTOR
38	NC01-24-0007	1	HEX. BOLT GR5 BLACK 3/8-16 X 3/4"
39	39-13-0115	2	BUSHING
40	NC01-96-0014	2	NYLON-INSERT LOCKNUT ZINC 1/2-13
41*	NC01-25-0251	2	HEX.BOLT GR5 NC ZINC 1/2-13 X 2"
42	NC01-93-0011	2	LOCK NUT 3/8-16
43	39-57-0255	1	CHAIN AND SPOCKET KIT
44	39-42-0165	1	RETAINER
45	NC02-22-0008	1	WASHER ZINC 5/16"
46	NC02-50-0102	1	SOCKET HEAD SCREW 5/16-18 X 1 1/2"

39-55-0161

#	PART #	Qty	TITLE
47	39-21-0070	1	CHAIN TENSIONER SHAFT
48	NC01-17-0119	1	HEX. BOLT GR2 ZINC 3/8-16 X 2 1/4"
49	21-01-0950	1	FLAT WASHER 10GA 1.005" DIA X 25/64"
50	NC02-32-0012	1	LOCK WASHER ZINC 3/8"
51	NC02-07-0018	1	HEX. NUT ZINC 3/8-16
52	39-55-0165	1	CHAIN TENSIONER SPROCKET ASSEMBLY
53	39-50-0155	1	CHAIN TENSIONNER PIVOT

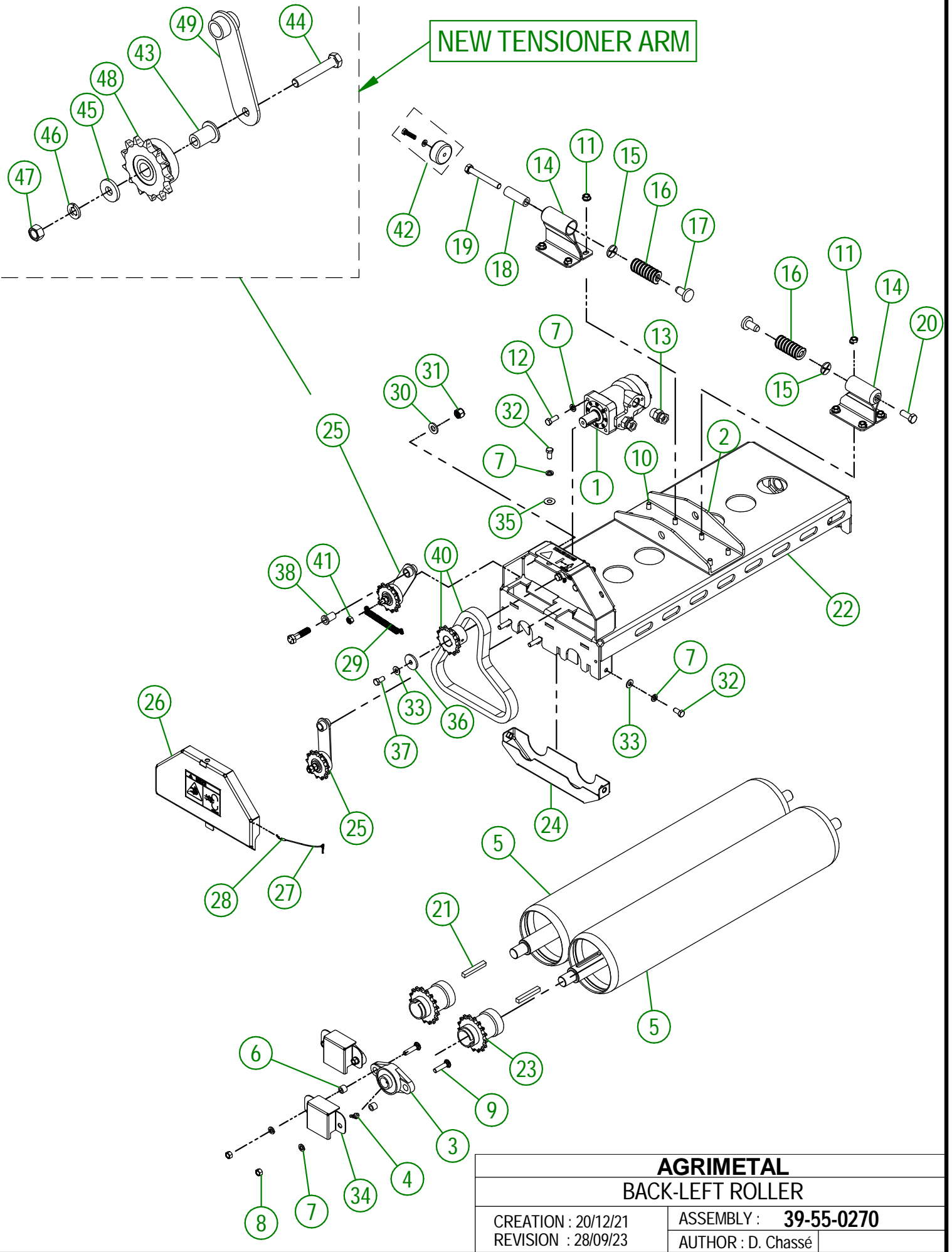
39-57-0114

#	PART #	Qty	TITLE
1	39-55-0270	1	BACK-LEFT ROLLER
2	39-09-1205	1	BUSHING
3	39-42-0700	1	PIVOTING BLOCK
4	NC01-37-0480	1	HEX. BOLT GR8 ZINC 3/4-16 X 5 1/2"
5	NC02-32-0017	1	LOCK WASHER ZINC 3/4"
6	NC02-11-0023	1	NUT 3/4-16



AGRIMETAL	
BACK-LEFT ROLLER	
CREATION : 20/12/21	ASSEMBLY : 39-57-0114
REVISION : 20/12/21	AUTHOR : D. Bevins

NEW TENSIONER ARM



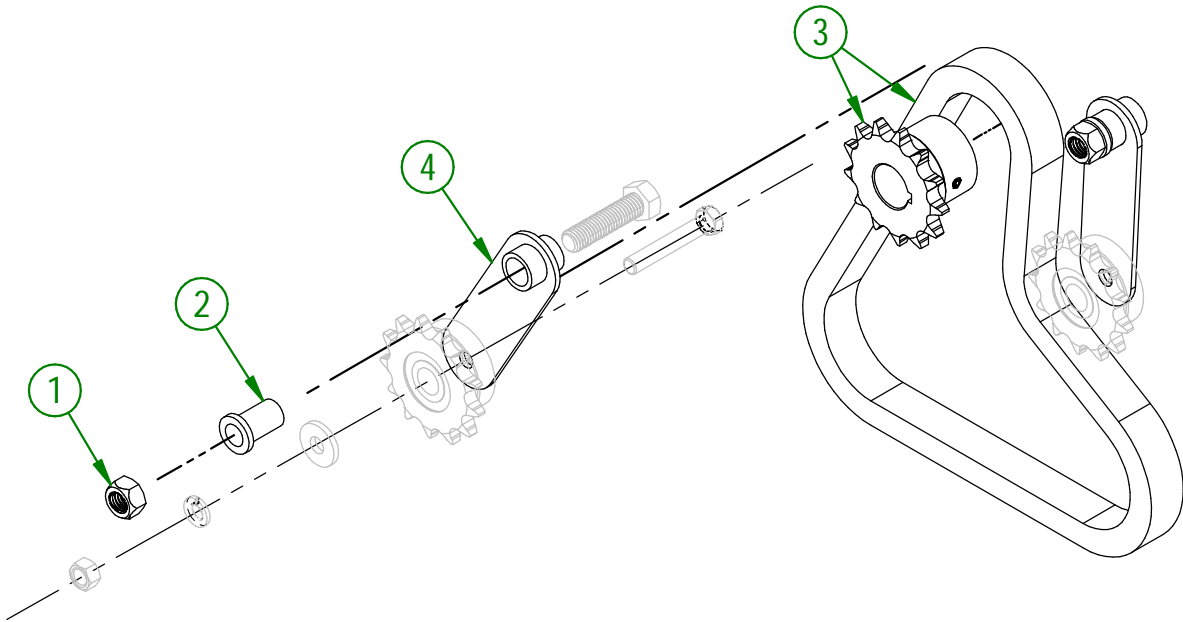
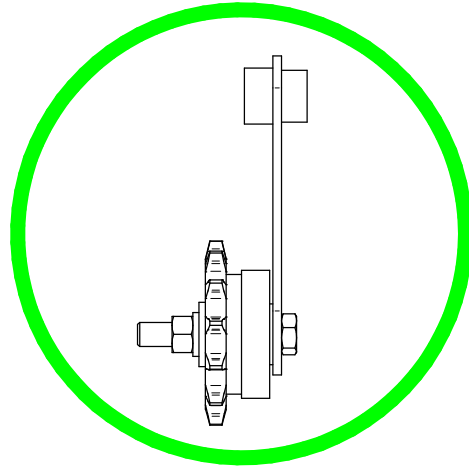
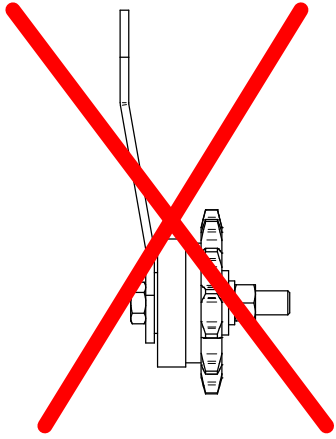
**AGRIMETAL
BACK-LEFT ROLLER**

CREATION : 20/12/21
REVISION : 28/09/23

ASSEMBLY : **39-55-0270**
AUTHOR : D. Chassé

IMPORTANT

IF YOUR CHAIN TENSIONER ARMS HAVE BENDS LIKE THE PICTURE, YOU HAVE TO ORDER THE REPLACEMENT KIT 39-57-0225



39-57-0225

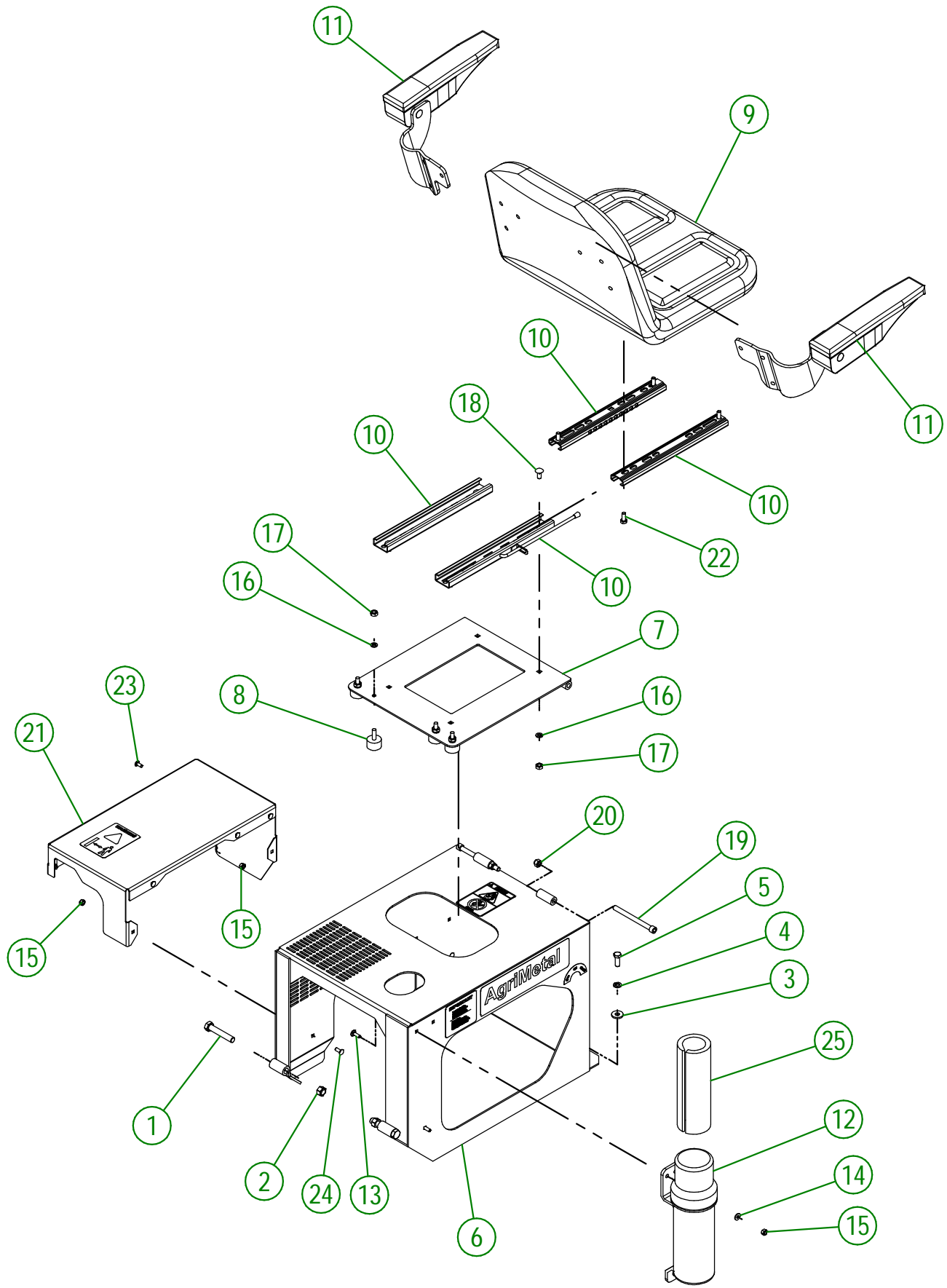
#	PART #	Qty	TITLE
1	NC01-93-0014	2	LOCK NUT ZINC 1/2-13
2	39-13-0115	2	BUSHING
3	39-57-0225	1	CHAIN AND SPOCKET KIT
4	39-50-0155	2	CHAIN TENSIONNER PIVOT

39-55-0270

#	PART #	Qty	TITLE
1	NC14-45-0040	1	50cc HYDRAULIC MOTOR
2	39-04-0225	1	ROLLER SUPPORT
3	NC14-75-0019	4	FLANGE PILLOW BLOCK BEARING UCFL205-16 Ø 1"
4	NC01-69-0802	4	GREASE FITTING 6mm X 45mm
5	39-50-0096	2	ROLLER (1 KW)
6	01-09-0000	8	BEARING RACE (UCFL205-16)
7	NC02-32-0012	15	LOCK WASHER ZINC 3/8"
8	NC02-07-0018	8	HEX. NUT ZINC 3/8-16
9	NC01-04-0111	8	CARR. BOLT GR2 ZINC 3/8-16 X 1 1/2"
10	NC01-04-0109	8	CARR. BOLT GR2 ZINC 3/8-16 X 1"
11	NC02-14-0019	8	FLANGE NUT HEX. NC 3/8-16 GR. B
12	NC01-17-0114	4	HEX. BOLT GR2 ZINC 3/8-16 X 1"
13	NC13-45-0073	2	STRAIGHT 7/8-14 MALE SAE10 O-RING X 3/8 FEM. TOUR. NPT
14	39-50-0045	2	SPRING GUIDE
15	39-01-1000	2	SPRING GUIDE WASHER
16	NC13-86-0159	2	RED SPRING 1 1/4"OD X 5/8"ID X 2" LG
17	39-42-0100	2	SPRING TIP
18	39-21-0032	1	RAMP STOP SPACER
19	39-30-9957	1	RAMP STOP SPACER
20	NC01-17-0248	1	HEX. BOLT GR2 ZINC 1/2-13 X 1 1/4"
21	48-41-0905	2	SQUARE KEY 3/8" X 2 3/4" LG
22	39-57-0167	1	ROLLER HOUSING (BACK-LEFT)
23	NC14-55-0333	2	ROLLER SPROCKET
24	39-50-0130	1	ROLLER CHAIN GUARD
25	39-55-0161	2	CHAIN TENSIONER ARM
26	39-57-0061	1	CHAIN GUARD
27	39-41-0000	1	ROLLER CHAIN GUARD CABLE
28	NC01-64-0005	2	OVAL SLEEVE (ALUMINUM)
29	NC13-85-0058	1	CHAIN TENSIONER SPRING
30	NC02-25-0011	2	WASHER SAE ZINC 17/32 ID
31	NC01-96-0014	2	NYLON-INSERT LOCKNUT ZINC 1/2-13
32	NC01-17-0112	3	HEX. BOLT GR2 ZINC 3/8-16 X 3/4"
33	01-01-2485	3	FLAT WASHER 14 GA X 13/16"OD X 25/64" ID
34	39-01-0130	4	BEARING GUARD
35	NC02-22-0010	1	WASHER 13/32" ID
36	39-21-0075	1	WASHER FOR HYDRAULIC MOTOR
37	NC01-24-0007	1	HEX. BOLT GR5 BLACK 3/8-16 X 3/4"
38	39-13-0115	2	BUSHING
39	NC01-25-0251	2	HEX.BOLT GR5 NC ZINC 1/2-13 X 2"
40	39-57-0255	1	CHAIN AND SPOCKET KIT
41	NC01-93-0011	2	LOCK NUT 3/8-16
42	39-57-0270	1	RETAINER GROUP

39-55-0161

#	PART #	Qty	TITLE
43	39-21-0070	1	CHAIN TENSIONER SHAFT
44	NC01-17-0119	1	HEX. BOLT GR2 ZINC 3/8-16 X 2 1/4"
45	21-01-0950	1	FLAT WASHER 10GA 1.005" DIA X 25/64"
46	NC02-32-0012	1	LOCK WASHER ZINC 3/8"
47	NC02-07-0018	1	HEX. NUT ZINC 3/8-16
48	39-55-0165	1	CHAIN TENSIONER SPROCKET ASSEMBLY
49	39-50-0155	1	CHAIN TENSIONNER PIVOT



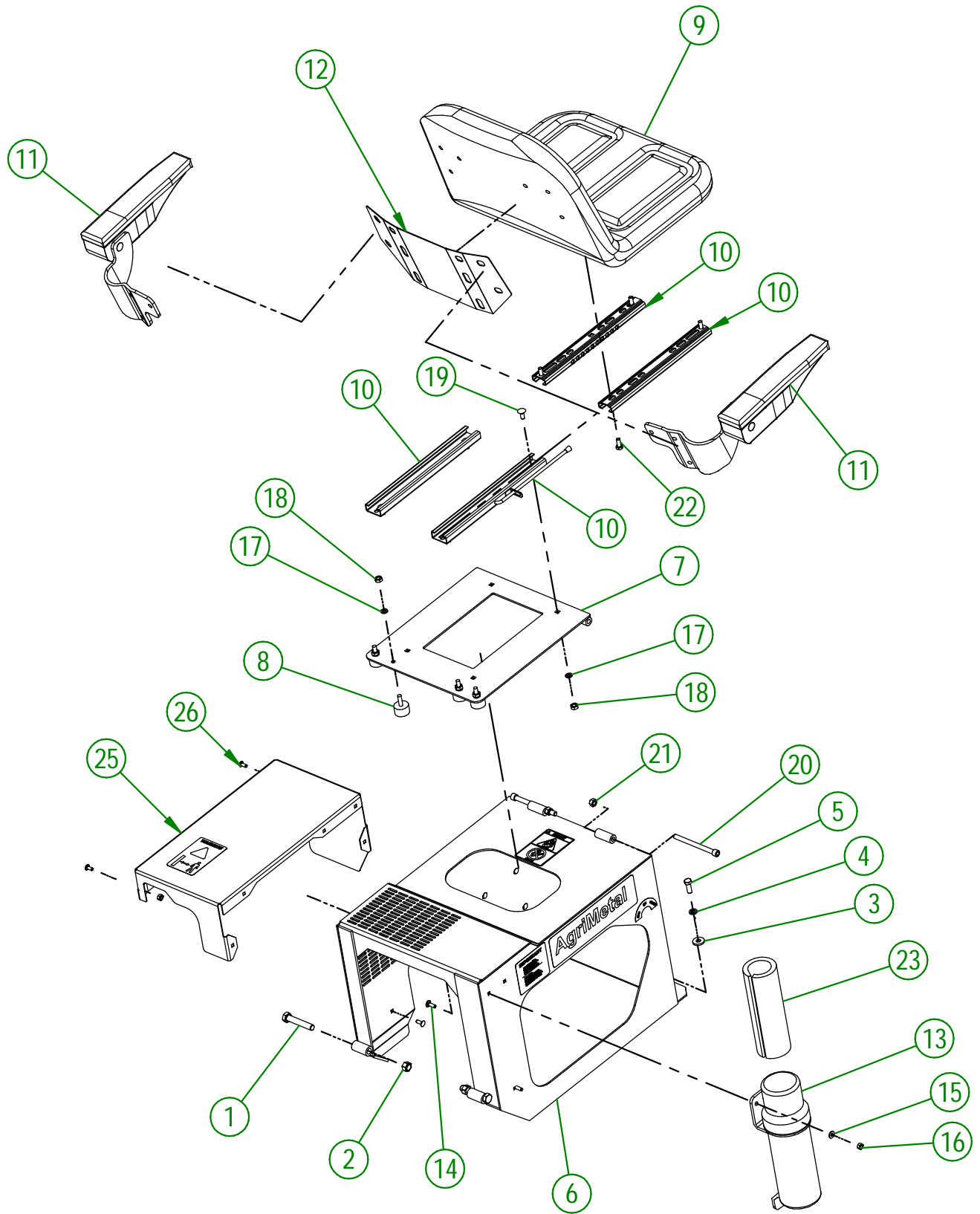
USE THESE PIECES ONLY IF YOUR SERIAL NUMBER IS AFFECTED:

#39530 AND ABOVE

AGRIMETAL	
ENGINE COVER GROUP	
CREATION : 09/02/22	ASSEMBLY : 39-57-0043
REVISION : 09/02/22	AUTHOR : J. Houle

39-57-0043

#	PART #	Qty	TITLE
1	NC01-17-0254	2	HEX. BOLT GR2 ZINC 1/2-13 X 2 1/2"
2	NC01-96-0014	2	NYLON-INSERT LOCKNUT ZINC 1/2-13
3	21-01-0950	2	FLAT WASHER IOGA 1.005" DIA X 25/64"
4	NC02-32-0012	2	LOCK WASHER ZINC 3/8"
5	NC01-17-0114	2	HEX. BOLT GR2 ZINC 3/8-16 X 1"
6	39-57-0010	1	ENGINE COVER
7	39-50-0115	1	SEAT FOLDER HOLDER
8	NC13-15-0034	4	RUBBER ABSORBER
9	NC13-80-0200	1	SEAT
10	NC13-80-0201	1	SET OF SEAT RAIL
11	NC13-80-0295	1	ARMRESTS
12	NC13-30-0237	1	PLASTIC TUBE FOR OPERATOR'S MANUAL
13	NC01-04-0003	3	CARR. BOLT GR2 ZINC 1/4-20 X 3/4"
14	NC02-25-0007	3	WASHER ZINC 0.281 = 9/32
15	NC01-96-0009	11	NYLON-INSERT LOCKNUT ZINC 1/4-20
16	NC02-32-0011	8	LOCK WASHER ZINC 5/16"
17	NC02-07-0017	8	HEX. NUT 5/16-18
18	NC01-04-0056	4	CARR. BOLT 5/16-18 X3/4"
19	NC02-50-0112	2	HEX. BOLT GR2 ZINC 3/8-16 X 4 1/2"
20	NC01-96-0011	2	NYLON NUT 3/8-16
21	39-57-0536	1	HYDROSTATIC POMP GUARD GROUP (STICKER INCLUDED)
22	NC01-17-0058	4	HEX. BOLT GR2 ZINC 5/16-18 X 3/4"
23	NC01-04-0001	3	CARR. BOLT GR2 ZINC 1/4-20 X1/2"
24	NC01-04-0002	5	CARR. BOLT GR2 ZINC 1/4-20 X 5/8"
25	39-98-0621	1	660 OPERATOR'S MANUAL



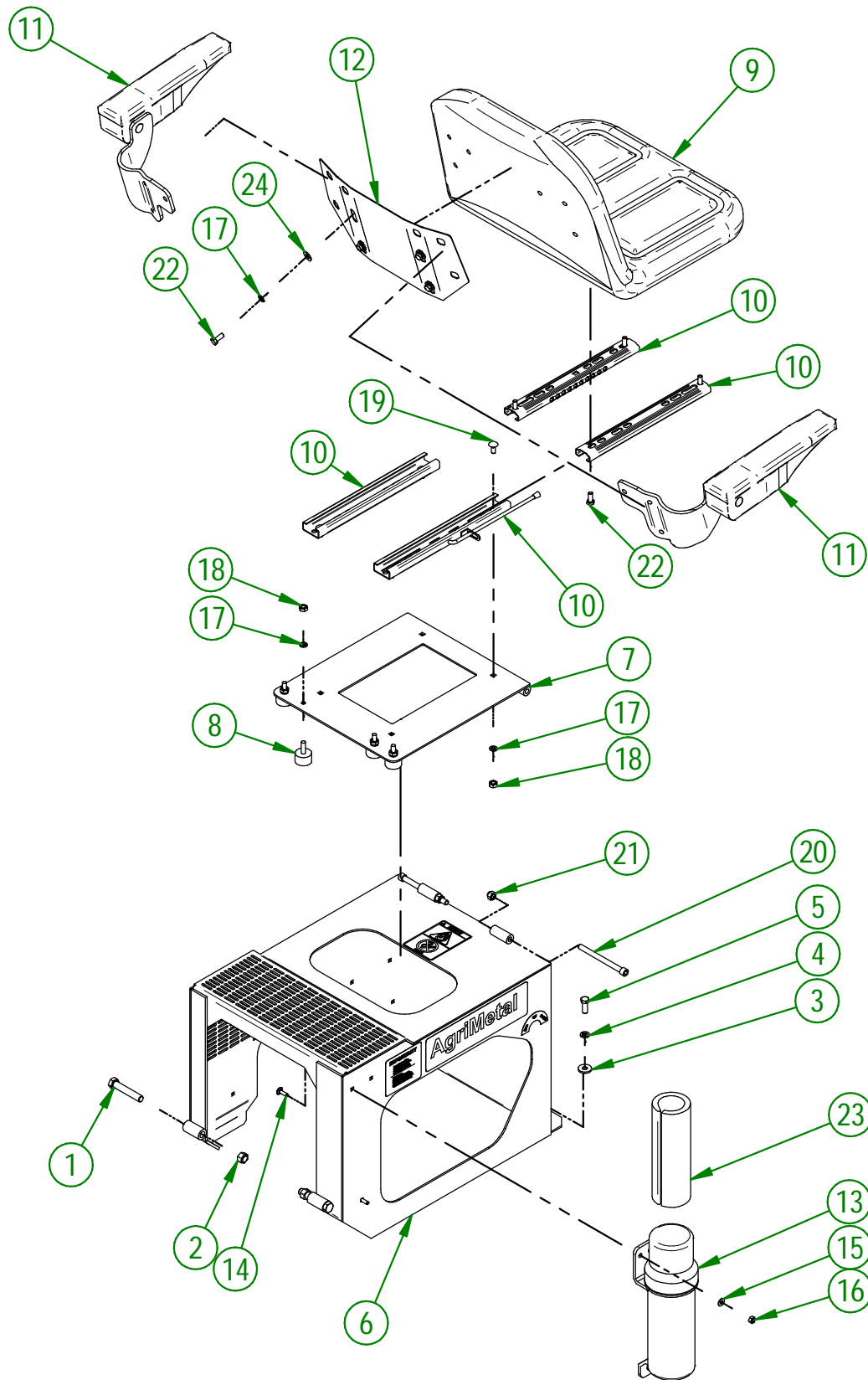
USE THESE PIECES ONLY IF YOUR SERIAL NUMBER IS AFFECTED:

BETWEEN #39530 AND #42832

AGRIMETAL	
ENGINE COVER GROUP	
CREATION : 08/01/21	ASSEMBLY : 39-57-0542
REVISION : 02/12/22	AUTHOR : J. Houle

39-57-0542

#	PART #	Qty	TITLE
1	NC01-17-0254	2	HEX. BOLT GR2 ZINC 1/2-13 X 2 1/2"
2	NC01-96-0014	2	NYLON-INSERT LOCKNUT ZINC 1/2-13
3	21-01-0950	2	FLAT WASHER IOGA 1.005" DIA X 25/64"
4	NC02-32-0012	2	LOCK WASHER ZINC 3/8"
5	NC01-17-0114	2	HEX. BOLT GR2 ZINC 3/8-16 X 1"
6	39-57-0010	1	ENGINE COVER
7	39-50-0115	1	SEAT FOLDER HOLDER
8	NC13-15-0034	4	RUBBER ABSORBER
9	NC13-80-0200	1	SEAT
10	NC13-80-0201	1	SET OF SEAT RAIL
11	NC13-80-0295	1	ARMRESTS
12	39-01-0400	1	BACK REST SEAT REINFORCEMENT
13	NC13-30-0237	1	PLASTIC TUBE FOR OPERATOR'S MANUAL
14	NC01-04-0003	3	CARR. BOLT GR2 ZINC 1/4-20 X 3/4"
15	NC02-25-0007	3	WASHER ZINC 0.281 = 9/32
16	NC01-96-0009	11	NYLON-INSERT LOCKNUT ZINC 1/4-20
17	NC02-32-0011	8	LOCK WASHER ZINC 5/16"
18	NC02-07-0017	8	HEX. NUT 5/16-18
19	NC01-04-0056	4	CARR. BOLT 5/16-18 X3/4"
20	NC02-50-0112	2	HEX. BOLT GR2 ZINC 3/8-16 X 4 1/2"
21	NC01-96-0011	2	NYLON NUT 3/8-16
22	NC01-17-0058	4	HEX. BOLT GR2 ZINC 5/16-18 X 3/4" LG
23	39-98-0631	1	OPERATOR'S MANUAL
24	NC01-04-0002	5	CARR. BOLT GR2 ZINC 1/4-20 X 5/8"
25	39-57-0536	1	HYDROSTATIC POMP GUARD GROUP (STICKER INCLUDED)
26	NC01-04-0001	3	CARR. BOLT GR2 ZINC 1/4-20 X1/2"



USE THESE PIECES ONLY IF YOUR SERIAL
NUMBER IS AFFECTED:

BETWEEN #42833 AND #43770

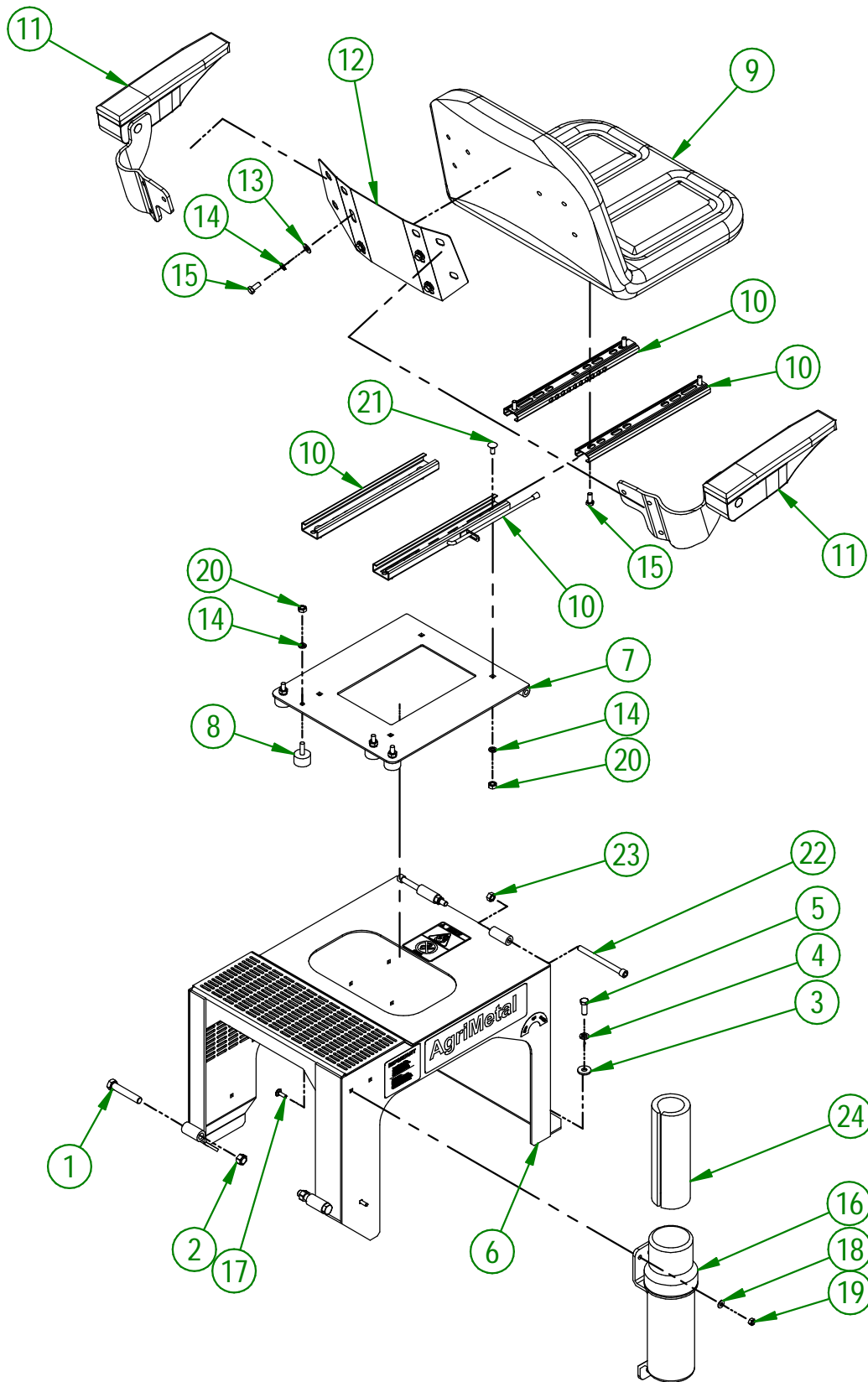
AGRIMETAL
ENGINE COVER GROUP

CREATION : 02/03/23
REVISION : 02/03/23

ASSEMBLY : **39-57-0543**
AUTHOR : D. CHASSÉ

39-57-0543

#	PART #	Qty	TITLE
1	NC01-17-0254	2	HEX. BOLT GR2 ZINC 1/2-13 X 2 1/2"
2	NC01-96-0014	2	NYLON-INSERT LOCKNUT ZINC 1/2-13
3	21-01-0950	2	FLAT WASHER 10GA 1.005" DIA X 25/64"
4	NC02-32-0012	2	LOCK WASHER ZINC 3/8"
5	NC01-17-0114	2	HEX. BOLT GR2 ZINC 3/8-16 X 1"
6	39-57-0010	1	ENGINE COVER
7	39-50-0115	1	SEAT FOLDER HOLDER
8	NC13-15-0034	4	RUBBER ABSORBER
9	NC13-80-0200	1	SEAT
10	NC13-80-0201	1	SET OF SEAT RAIL
11	NC13-80-0295	1	ARMRESTS
12	39-01-0400	1	BACK REST SEAT REINFORCEMENT
13	NC13-30-0237	1	PLASTIC TUBE FOR OPERATOR'S MANUAL
14	NC01-04-0003	3	CARR. BOLT GR2 ZINC 1/4-20 X 3/4"
15	NC02-25-0007	3	WASHER ZINC 0.281 = 9/32
16	NC01-96-0009	3	NYLON-INSERT LOCKNUT ZINC 1/4-20
17	NC02-32-0011	12	LOCK WASHER ZINC 5/16"
18	NC02-07-0017	8	HEX. NUT 5/16-18
19	NC01-04-0056	4	CARR. BOLT 5/16-18 X3/4"
20	NC02-50-0112	2	HEX. BOLT GR2 ZINC 3/8-16 X 4 1/2"
21	NC01-96-0011	2	NYLON NUT 3/8-16
22	NC01-17-0058	8	HEX. BOLT GR2 ZINC 5/16-18 X 3/4" LG
23	39-98-0631	1	OPERATOR'S MANUAL
24	01-01-2485	4	FLAT WASHER 14 GA X 13/16"OD X 25/64" ID



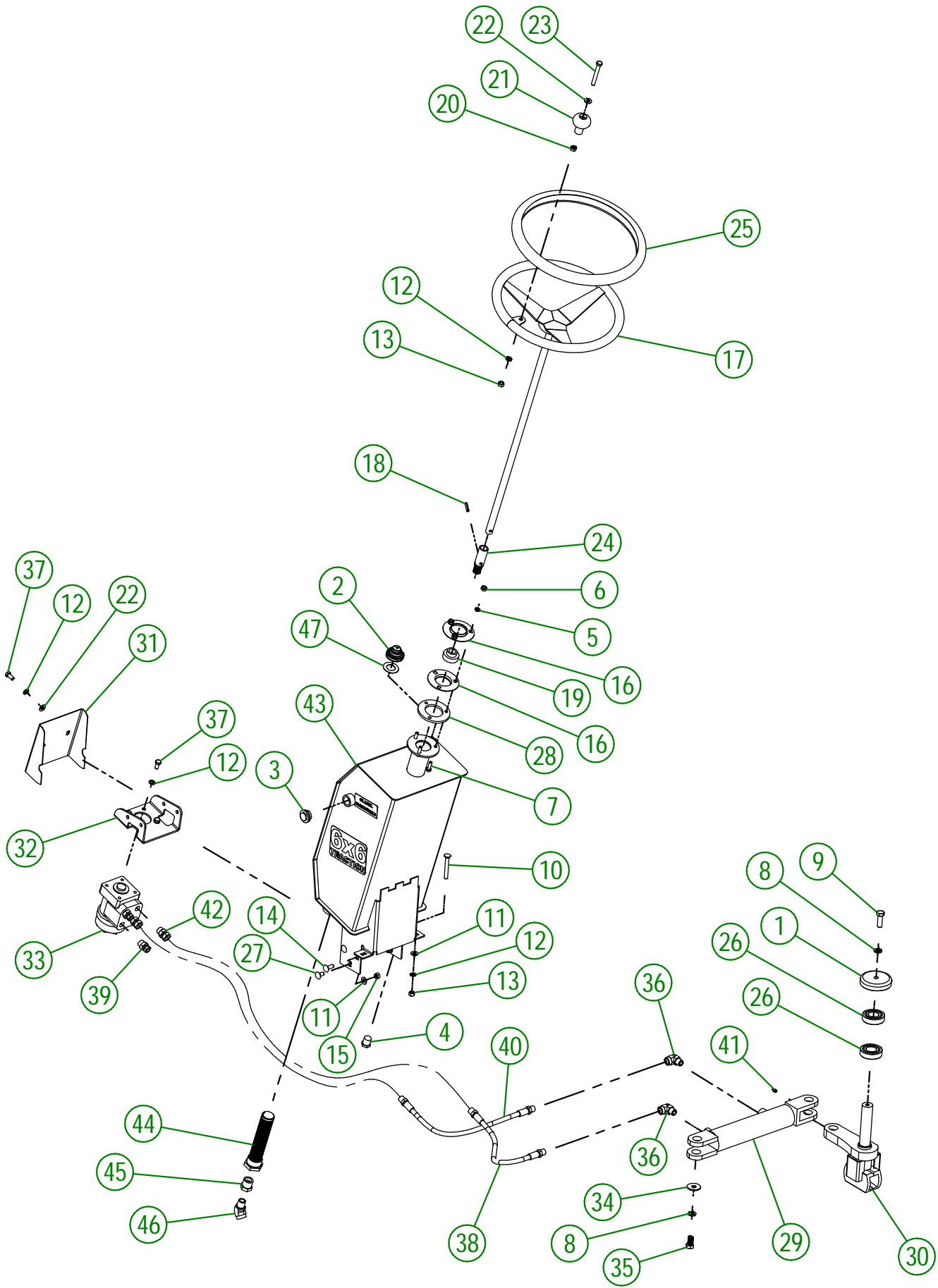
USE THESE PIECES ONLY IF YOUR SERIAL NUMBER IS AFFECTED:

#43771 AND UP

AGRIMETAL	
ENGINE COVER GROUP	
CREATION : 01/03/23	ASSEMBLY : 39-57-0544
REVISION : 06/03/23	AUTHOR : D. CHASSÉ

39-57-0544

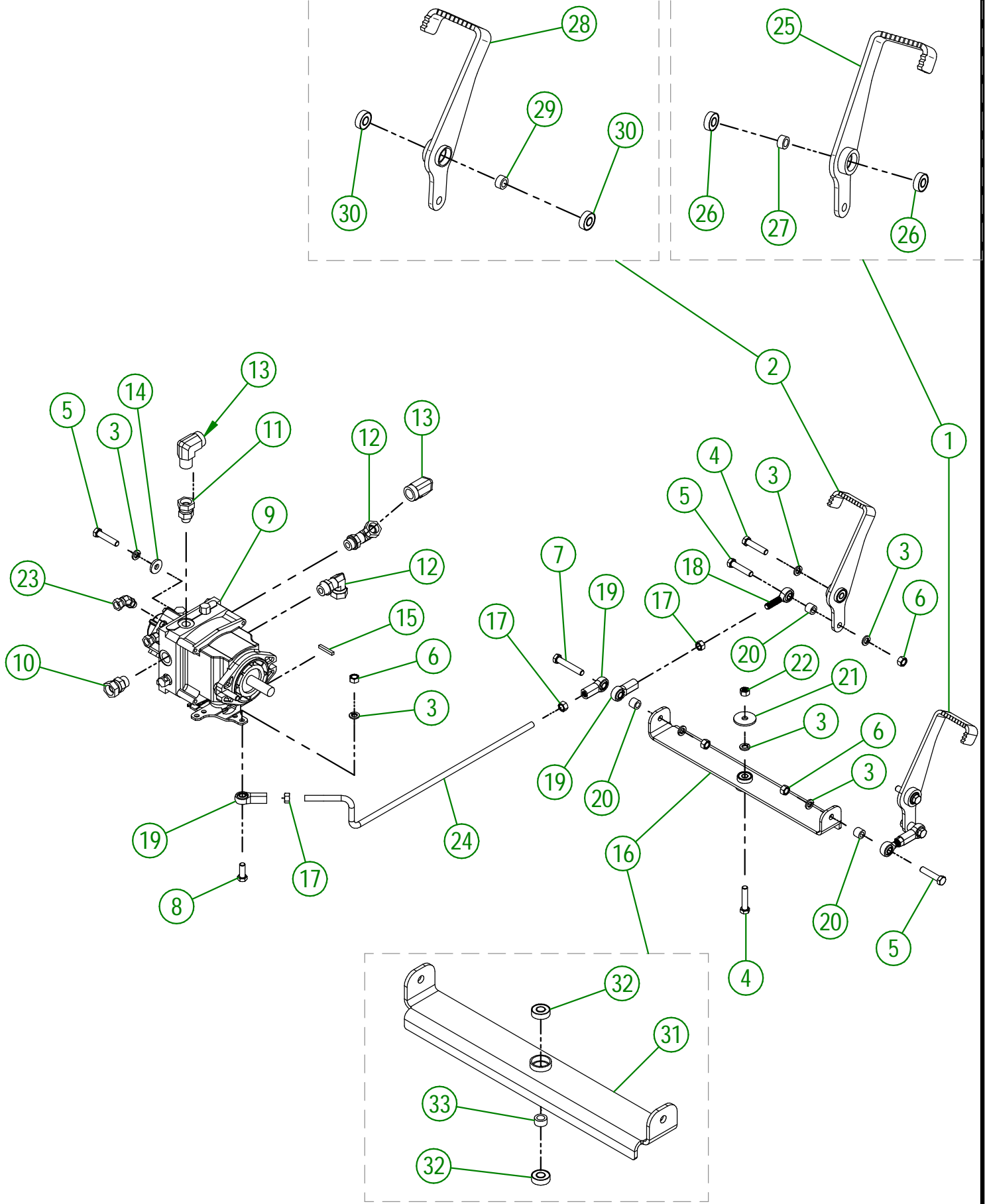
#	PART #	Qty	TITLE
1	NC01-17-0254	2	HEX. BOLT GR2 ZINC 1/2-13 X 2 1/2"
2	NC01-96-0014	2	NYLON-INSERT LOCKNUT ZINC 1/2-13
3	21-01-0950	2	FLAT WASHER 10GA 1.005" DIA X 25/64"
4	NC02-32-0012	2	LOCK WASHER ZINC 3/8"
5	NC01-17-0114	2	HEX. BOLT GR2 ZINC 3/8-16 X 1"
6	39-57-0011	1	ENGINE COVER
7	39-50-0115	1	SEAT FOLDER HOLDER
8	NC13-15-0034	4	RUBBER ABSORBER
9	NC13-80-0200	1	SEAT
10	NC13-80-0201	1	SET OF SEAT RAIL
11	NC13-80-0295	1	ARMRESTS
12	39-01-0400	1	BACK REST SEAT REINFORCEMENT
13	01-01-2485	4	FLAT WASHER 14 GA X 13/16"OD X 25/64" ID
14	NC02-32-0011	12	LOCK WASHER ZINC 5/16"
15	NC01-17-0058	8	HEX. BOLT GR2 ZINC 5/16-18 X 3/4" LG
16	NC13-30-0237	1	PLASTIC TUBE FOR OPERATOR'S MANUAL
17	NC01-04-0003	3	CARR. BOLT GR2 ZINC 1/4-20 X 3/4"
18	NC02-25-0007	3	WASHER ZINC 0.281 = 9/32
19	NC01-96-0009	3	NYLON-INSERT LOCKNUT ZINC 1/4-20
20	NC02-07-0017	8	HEX. NUT 5/16-18
21	NC01-04-0056	4	CARR. BOLT 5/16-18 X3/4"
22	NC02-50-0112	2	HEX. BOLT GR2 ZINC 3/8-16 X 4 1/2"
23	NC01-96-0011	2	NYLON NUT 3/8-16
24	39-98-0631	1	OPERATOR'S MANUAL



AGRIMETAL	
STEERING SYSTEM GROUP	
CREATION : 21/12/21	ASSEMBLY : 39-57-0047
REVISION : 10/03/23	AUTHOR : D. Bevins

39-57-0047

#	PART #	Qty	TITLE
1	39-21-0000	1	STEERING PLATE SHAFT COVER
2	NC13-37-0121	1	TANK CAP
3	NC01-76-0001	1	SIGHT GLASS 3/4 NPT
4	NC13-45-0015	1	HEX. CAP 1/2 NPTF MALE
5	NC02-32-0011	3	LOCK WASHER ZINC 5/16"
6	NC02-07-0017	3	HEX. NUT 5/16-18
7	NC01-17-0060	3	HEX. BOLT GR2 ZINC 5/16-18 X 1"
8	NC02-32-0014	2	LOCK WASHER ZINC 1/2"
9	NC01-17-0249	1	HEX. BOLT GR2 ZINC 1/2-13 X 1 1/2"
10	NC01-04-0116	2	CARR. BOLT GR2 ZINC 3/8-16 X 2 3/4"
11	01-01-2485	8	FLAT WASHER 14 GA X 13/16"OD X 25/64" ID
12	NC02-32-0012	9	LOCK WASHER ZINC 3/8"
13	NC02-07-0018	3	HEX. NUT ZINC 3/8-16
14	NC01-04-0109	4	CARR. BOLT GR2 ZINC 3/8-16 X 1"
15	NC01-93-0011	6	LOCK NUT 3/8-16
16	NC14-75-0008	2	STEEL BEARING ONLY 3 HOLES F4 3 9/16" OD
17	39-50-0081	1	STEERING WHEEL
18	NC01-69-0459	1	ZINC SPRING PIN TENDER DIA. 1/4" X 1 1/4"
19	NC14-75-0014	1	STEEL BEARING SB 204-12 X 3/4" ID
20	NC01-96-0011	1	NYLON NUT 3/8-16
21	NC17-46-0018	1	HANDLE KNOB
22	NC17-57-0016	3	FLAT WASHER 14 GA X 13/16"OD X 25/64" ID
23	NC01-17-0122	1	HEX. BOLT GR2 ZINC 3/8-16 X 3"
24	39-20-0005	1	STEERING SHAFT ADAPTER
25	NC13-80-0254	1	STEERING WHEEL COVER
26	NC14-75-0091	2	6206 ZZ BEARING
27	NC01-04-0107	2	CARR. BOLT GR2 ZINC 3/8-16 X 3/4"
28	39-04-0275	1	STEERING SHAFT BEARING SUPPORT
29	NC13-45-0370	1	HYDRAULIC CYLINDER 6"
30	39-50-0071	1	STEERING PLATE
31	39-01-0080	1	STEERING SHAFT GUARD
32	39-04-0195	1	HYDRAULIQUE CONTROL SUPPORT
33	NC14-45-0151	1	HYDRAULIC STEERING ASSIST
34	01-01-1660	1	WASHER SPACER
35	NC01-17-0247	1	HEX. BOLT GR2 ZINC 1/2-13 X 1"
36	NC13-45-0038	2	ELBOW 90 3/8 FEM. NPT X 3/8 MALE NPT
37	NC01-17-0112	6	HEX. BOLT GR2 ZINC 3/8-16 X 3/4"
38	NC17-02-0418	1	HYD. HOSE 1/4 X 16 1/2"OAL 3/8 NPTMALE RIG.X 3/8NPTMALE RIG
39	NC13-45-0204	2	STRAIGHT REDUCER 3/4-16 MALE SAE8 O RING X 1/4 FEMALE
40	NC17-02-0419	1	HYD. HOSE 1/4 X 17"OAL 3/8 NPTMALE RIG.X 3/8NPTMALE RIG
41	NC01-69-0785	1	STRAIGHT GREASE FITTING 1/4-28
42	NC13-45-0036	2	STRAIGHT REDUCER 3/4-16 MALE SAE8 O RING X 1/4 FEMALE
43	39-57-0007	1	OIL TANK
44	NC13-45-0381	1	TANK STRAINER
45	NC13-45-0032	1	STRAIGHT HOSE FITTING 1/2 FEM. NPT X 3/4 MALE NPT
46	NC13-45-0086	1	ELBOW 45 1/2 FEM. NPT X 1/2 MALE NPT
47	NC13-15-0352	1	RUBBER FLAT WASHER



USE THESE PIECES ONLY IF YOUR SERIAL NUMBER IS AFFECTED:

#42786 AND BELOW

AGRIMETAL	
HYDROSTATIC SYSTEM GROUP	
CREATION : 21/12/21	ASSEMBLY : 39-57-0200
REVISION : 02/11/22	AUTHOR : J. Houle

39-57-0200

#	PART #	Qty	TITLE
1	39-55-0026	1	RIGHT PEDAL
2	39-55-0021	1	LEFT PEDAL
3	NC02-32-0012	10	LOCK WASHER ZINC 3/8"
4	NC01-33-0117	3	CARR. BOLT GR8 ZINC 3/8-16 X 1 3/4"
5	NC01-17-0117	5	HEX. BOLT GR2 ZINC 3/8-16 X 1 3/4"
6	NC02-07-0018	5	HEX. NUT ZINC 3/8-16
7	NC01-17-0119	1	HEX. BOLT GR2 ZINC 3/8-16 X 2 1/4"
8	NC01-17-0114	1	HEX. BOLT GR2 ZINC 3/8-16 X 1"
9	39-55-0036	1	HYDRAUSTATIC MOTOR HYDRO-GEAR PRE-ASSEM.
10	NC13-45-0106	1	STRAIGHT REDUCER 3/4-16 MALE SAE8 O RING X 1/2 FEMALE
11	NC13-45-0220	1	STRAIGHT 9/16 MALE ORING X 1/2 FEMALE NPT
12	NC13-45-0203	2	ELBOW 90° 3/4 MALE ORING X 1/2 FEMALE NPT
13	NC13-45-0025	2	ELBOW 90° 1/2 FEMALE NPT X 1/2 MALE NPT
14	21-01-0950	2	FLAT WASHER 10GA 1.005" DIA X 25/64"
15	01-41-0905	1	SQUARE KEY 3/16" X 1 1/4"TL
16	39-55-0046	1	PEDAL JUNCTION ARM
17	NC02-10-0018	4	NUT 3/8-24
18	NC01-67-0304	2	BALL JOINTS ROD ENDS 3/8-24
19	NC01-67-0104	4	INTERNALLY THREADED BALL JOINT ROD ENDS 3/8-24
20	39-09-0050	4	PEDAL SYSTEM BUSHING
21	01-33-0010	1	WASHER
22	NC01-93-0011	1	LOCK NUT 3/8-16
23	NC13-45-0372	2	FITTING 45° 7/16-20 MALE O RING SAE4 X 1/4 FEM. TOUR.NPT
24	39-13-0401	1	HYDROSTATIC CONTROL ROD

39-55-0026

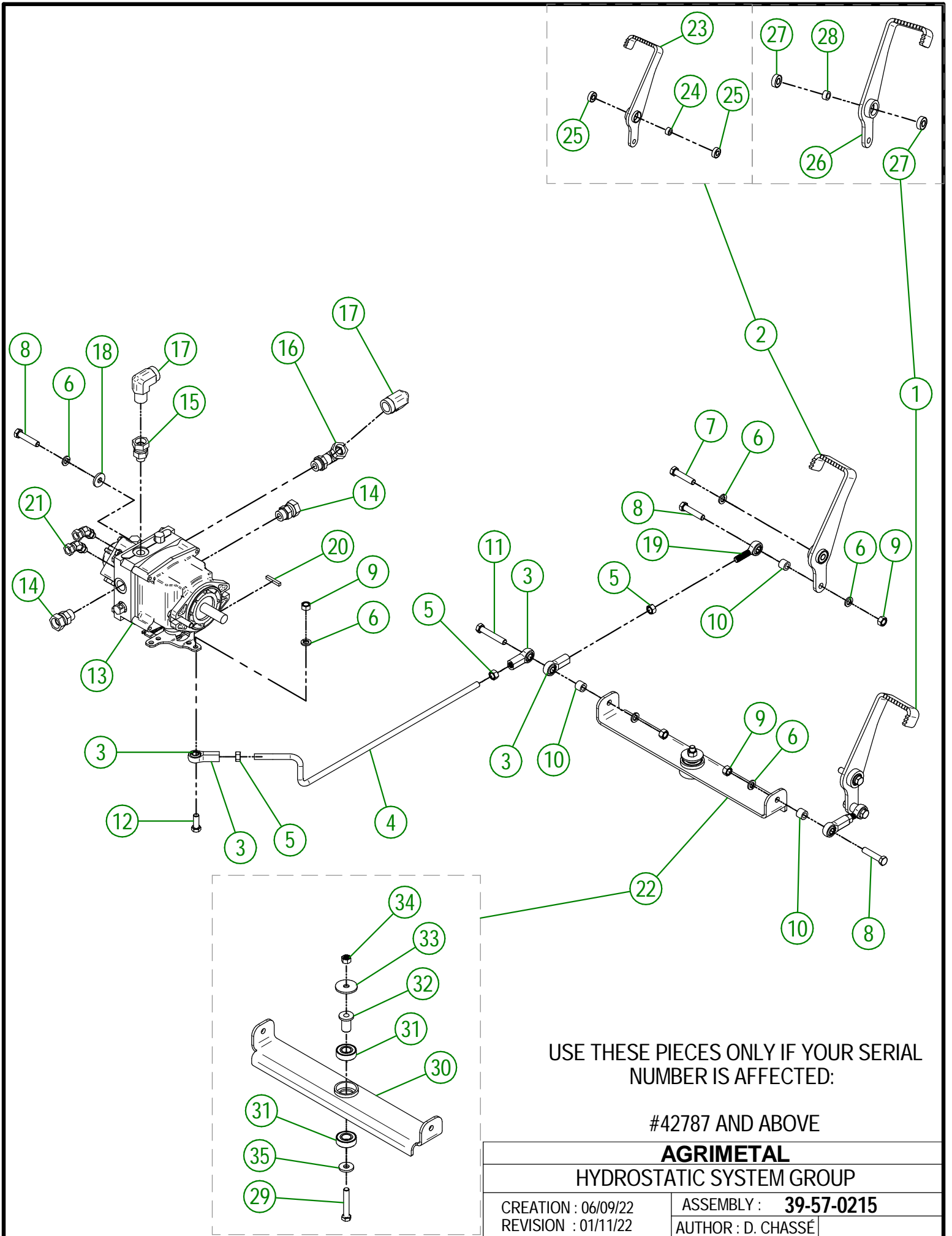
#	PART #	Qty	TITLE
25	39-50-0106	1	RIGHT PEDAL
26	NC14-75-0153	2	BALL BEARING R6 2RS 3/8" X 7/8" X 0.281"
27	01-09-0005	1	BUSHING

39-55-0021

#	PART #	Qty	TITLE
28	39-50-0111	1	LEFT PEDAL
29	01-09-0005	1	BUSHING
30	NC14-75-0153	2	BALL BEARING R6 2RS 3/8" X 7/8" X 0.281"

39-55-0046

#	PART #	Qty	TITLE
31	39-50-0041	1	PEDALS UNION
32	NC14-75-0153	2	BALL BEARING R6 2RS 3/8" X 7/8" X 0.281"
33	01-09-0005	1	BUSHING



USE THESE PIECES ONLY IF YOUR SERIAL NUMBER IS AFFECTED:

#42787 AND ABOVE

AGRIMETAL
HYDROSTATIC SYSTEM GROUP

CREATION : 06/09/22
REVISION : 01/11/22

ASSEMBLY : **39-57-0215**
AUTHOR : D. CHASSÉ

39-57-0215

#	PART #	Qty	TITLE
1	39-55-0026	1	RIGHT PEDAL
2	39-55-0021	1	LEFT PEDAL
3	NC01-67-0104	4	INTERNALLY THREADED BALL JOINT ROD ENDS 3/8-24
4	39-13-0401	1	HYDROSTATIC CONTROL ROD
5	NC02-10-0018	4	NUT 3/8-24
6	NC02-32-0012	9	LOCK WASHER ZINC 3/8"
7	NC01-33-0117	2	CARR. BOLT GR8 ZINC 3/8-16 X 1 3/4"
8	NC01-17-0117	5	HEX. BOLT GR2 ZINC 3/8-16 X 1 3/4"
9	NC02-07-0018	5	HEX. NUT ZINC 3/8-16
10	39-09-0050	4	PEDAL SYSTEM BUSHING
11	NC01-17-0119	1	HEX. BOLT GR2 ZINC 3/8-16 X 2 1/4"
12	NC01-17-0114	1	HEX. BOLT GR2 ZINC 3/8-16 X 1"
13	NC14-45-0153	1	HYDROSTATIC MOTOR
14	NC13-45-0106	2	STRAIGHT REDUCER 3/4-16 MALE SAE8 O RING X 1/2 FEMALE
15	NC13-45-0220	1	STRAIGHT 9/16 MALE ORING X 1/2 FEMALE NPT
16	NC13-45-0203	1	ELBOW 90° 3/4 MALE ORING X 1/2 FEMALE NPT
17	NC13-45-0025	2	ELBOW 90° 1/2 FEMALE NPT X 1/2 MALE NPT
18	21-01-0950	2	FLAT WASHER 10GA 1.005" DIA X 25/64"
19	NC01-67-0304	2	BALL JOINTS ROD ENDS 3/8-24
20	01-41-0905	1	SQUARE KEY 3/16" X 1 1/4"TL
21	NC13-45-0372	2	FITTING 45° 7/16-20 MALE O RING SAE4 X 1/4 FEM. TOUR.NPT
22	39-57-0220	1	PEDAL JUNCTION ARM

39-55-0021

#	PART #	Qty	TITLE
23	39-50-0111	1	LEFT PEDAL
24	01-09-0005	1	BUSHING
25	NC14-75-0153	2	BALL BEARING R6 2RS 3/8" X 7/8" X 0.281"

39-55-0026

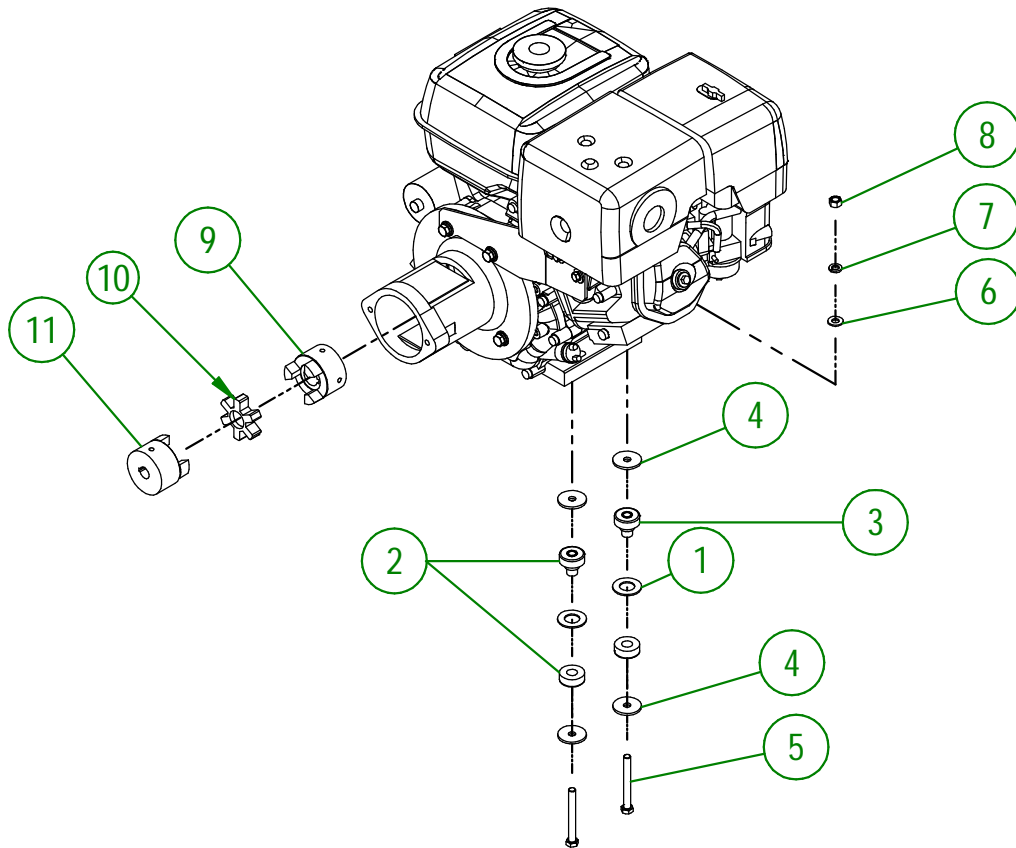
#	PART#	QTY	TITLE
26	39-50-0106	1	RIGHT PEDAL
27	NC14-75-0153	2	BALL BEARING R6 2RS 3/8" X 7/8" X 0.281"
28	01-09-0005	1	BUSHING

39-57-0220

#	PART#	QTY	TITRE
29	NC01-37-0119	1	CARR. BOLT GR8 ZINC 3/8-24 X 2 1/4"
30	39-50-0042	1	PEDALS UNION
31	NC14-75-0068	2	BALL BEARING 99502H
32	39-13-0200	1	JONCTION ARM PIVOT
33	01-33-0010	1	WASHER
34	NC01-94-0011	1	LOCK NUT 3/8-24
35	21-01-0950	1	FLAT WASHER 10GA 1.005" DIA X 25/64"

39-57-0116

#	PART #	Qty	TITLE
1	26-03-4800	4	WASHER
2	NC13-15-0068	2	GREEN RUBBER BASE MOUNT
3	NC13-15-0059	2	YELLOW RUBBER BASE MOUNT
4	01-33-0010	8	WASHER
5	NC01-17-0123	4	HEX. BOLT GR2 ZINC 3/8-16 X 3 1/4"
6	01-01-2485	4	FLAT WASHER 14 GA X 13/16"OD X 25/64" ID
7	NC02-32-0012	4	LOCK WASHER ZINC 3/8"
8	NC02-07-0018	4	HEX. NUT ZINC 3/8-16
9	NC14-05-0029	1	COUPLING (LOVEJOY) CXL100 X 1" ID
10	NC14-05-0030	1	COUPLING (LOVEJOY) RUBBER N100
11	39-46-3500	1	HYDROSTATIC COUPLING HUB

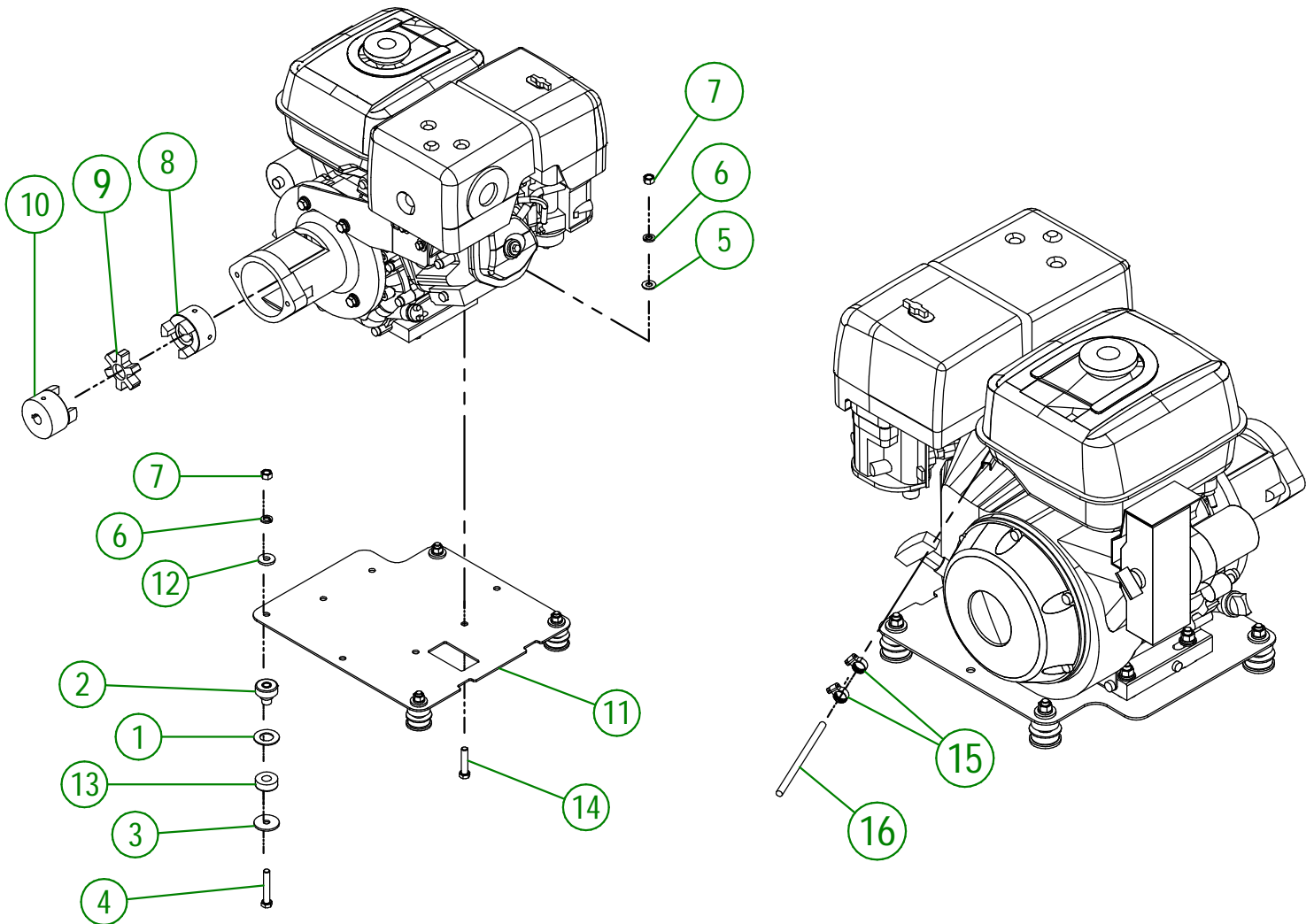


USE THESE PIECES ONLY IF YOUR SERIAL NUMBER IS AFFECTED:

#43770 AND LESS

AGRIMETAL	
MOTOR GROUP	
CREATION : 21/12/21	ASSEMBLY : 39-57-0116
REVISION : 02/03/23	AUTHOR : Dessin1

#	PART #	Qty	TITLE
1	26-03-4800	4	WASHER
2	NC13-15-0059	4	YELLOW RUBBER BASE MOUNT
3	01-33-0010	4	WASHER
4	NC01-17-0119	4	HEX. BOLT GR2 ZINC 3/8-16 X 2 1/4"
5	01-01-2485	4	FLAT WASHER 14 GA X 13/16"OD X 25/64" ID
6	NC02-32-0012	8	LOCK WASHER ZINC 3/8"
7	NC02-07-0018	8	HEX. NUT ZINC 3/8-16
8	NC14-05-0029	1	COUPLING (LOVEJOY) CXL100 X 1" ID
9	NC14-05-0030	1	COUPLING (LOVEJOY) RUBBER NI00
10	39-46-3500	1	HYDROSTATIC COUPLING HUB
11	39-01-0360	1	MOTOR BASE
12	21-01-0950	4	FLAT WASHER 10GA 1.005" DIA X 25/64"
13	NC13-15-0059	2	YELLOW RUBBER BASE MOUNT
14	NC01-17-0117	4	HEX. BOLT GR2 ZINC 3/8-16 X 1 3/4"
15	NC01-65-0053	2	COLLAR (MH4)
16	39-42-0605	1	GAS THROTTLE EXTENSION



USE THESE PIECES ONLY IF YOUR SERIAL NUMBER IS AFFECTED:

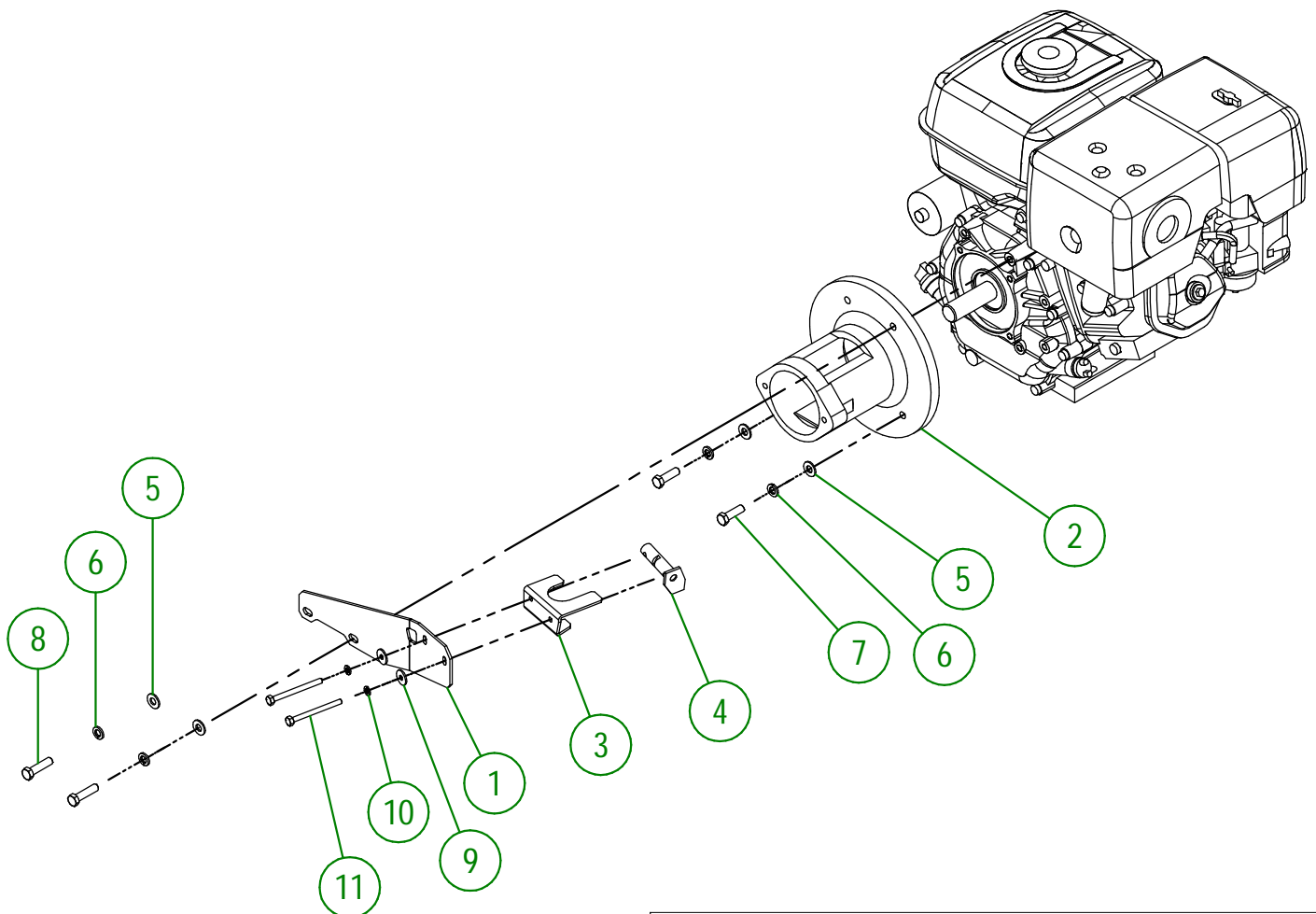
#43771 AND UP

AGRIMETAL
MOTOR GROUP

CREATION : 01/03/23
REVISION : 06/03/23

ASSEMBLY : **39-57-0118**
AUTHOR : dessin3

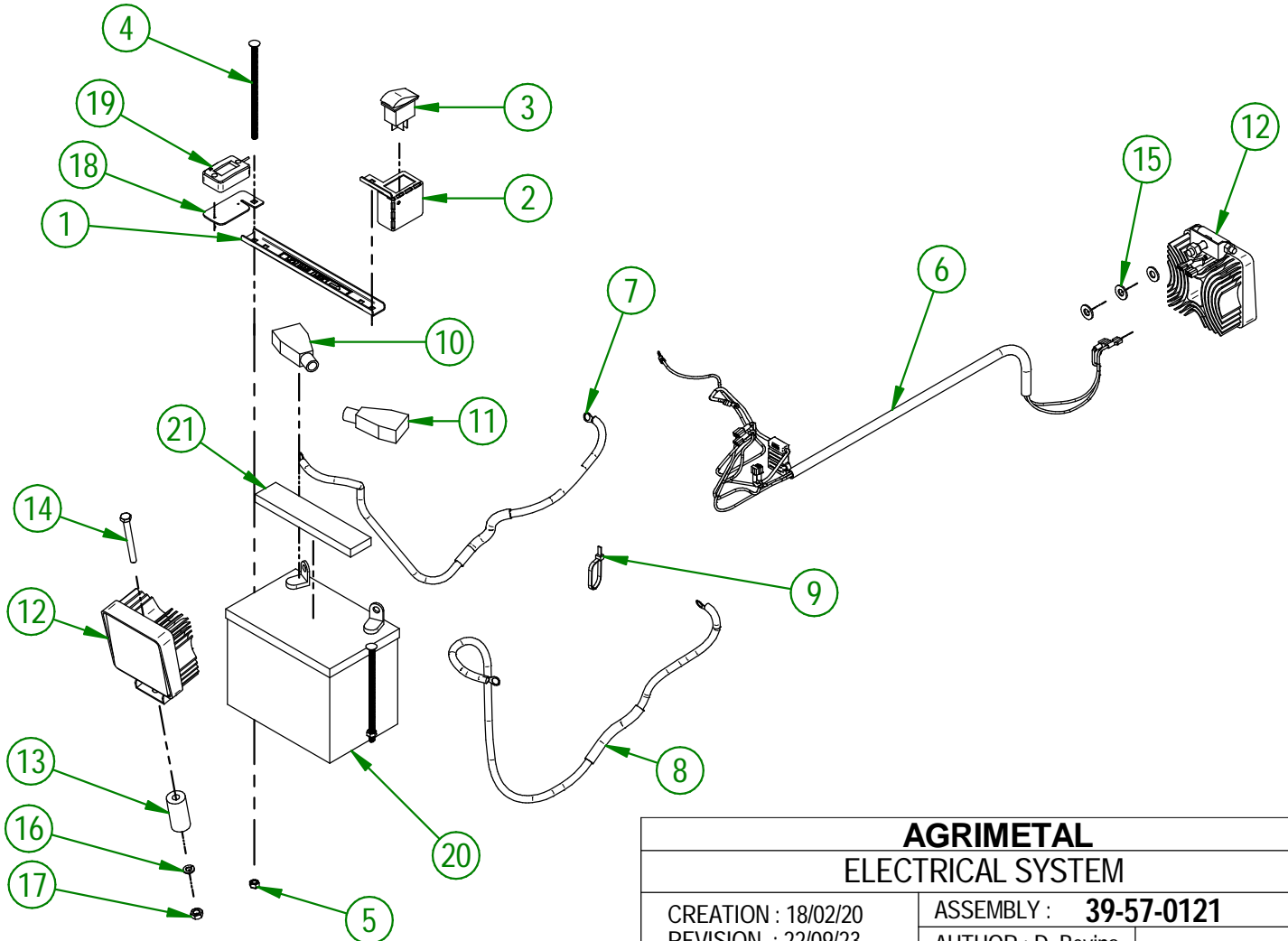
#	PART #	Qty	TITLE
1	39-01-1090	1	MUFFLER SUPPORT
2	39-50-0120	1	FUEL ENGINE ADAPTER FOR HYDROSTATIC PUMP
3	39-01-1080	1	MUFFLER SUPPORT
4	39-50-0085	1	MUFFLER SUPPORT
5	01-01-2485	4	FLAT WASHER 14 GA X 13/16"OD X 25/64" ID
6	NC02-32-0012	4	LOCK WASHER ZINC 3/8"
7	NC01-17-0115	2	HEX. BOLT GR2 ZINC 3/8-16 X 1 1/4"
8	NC01-17-0116	2	HEX. BOLT GR2 ZINC 3/8-16 X 1 1/2"
9	36-01-2430	2	WASHER
10	NC02-32-0010	2	LOCK WASHER ZINC 1/4"
11	NC01-37-0014	2	HEX. BOLT GR8 ZINC 1/4-28 X 3"

**AGRIMETAL****HONDA MOTOR WITH STARTER**

CREATION : 21/12/21
 REVISION : 21/12/21

ASSEMBLY : **39-55-0031**
 AUTHOR : Dessin1

#	PART #	Qty	TITLE
1	39-57-0195	1	BATTERY STRAPE
2	39-01-3050	1	LIGHT SWITCH HOLDER
3	NC13-25-0368	1	LIGHT SWITCH
4	NC01-04-0027	2	CARR. BOLT 1/4-20 X 6" LG
5	NC01-96-0009	2	NYLON-INSERT LOCKNUT ZINC 1/4-20
6	39-57-0016	1	COMPLETE ELECTRIC WIRE SET
7	39-55-0105	1	NEGATIVE BATTERY CABLE
8	39-55-0100	1	POSITIVE BATTERY CABLE
9	NC13-25-0019	1	NYLON CABLE TIE
10	NC13-80-0268	1	BLACK PROTECTOR FOR BATTERY POST
11	NC13-80-0267	1	RED PROTECTOR FOR BATTERY POST
12	39-55-0121	2	LED LIGHT
13	39-21-0065	1	RIGHT LIGHT HOLDER
14	NC01-17-0068	1	HEX. BOLT GR2 NC ZINC 5/16-18 X 3"
15	01-01-2485	3	FLAT WASHER 14 GA X 13/16"OD X 25/64" ID
16	NC02-32-0011	1	LOCK WASHER ZINC 5/16"
17	NC02-07-0017	1	HEX. NUT 5/16-18
18	33-01-4000	1	HOUR METER HOLDER
19	NC13-37-0669	1	HOUR METER
20	NC13-12-0001	1	12 VOLTS BATTERY
21	33-42-0130	1	BLACK ADHESIVE-BACK STRIP



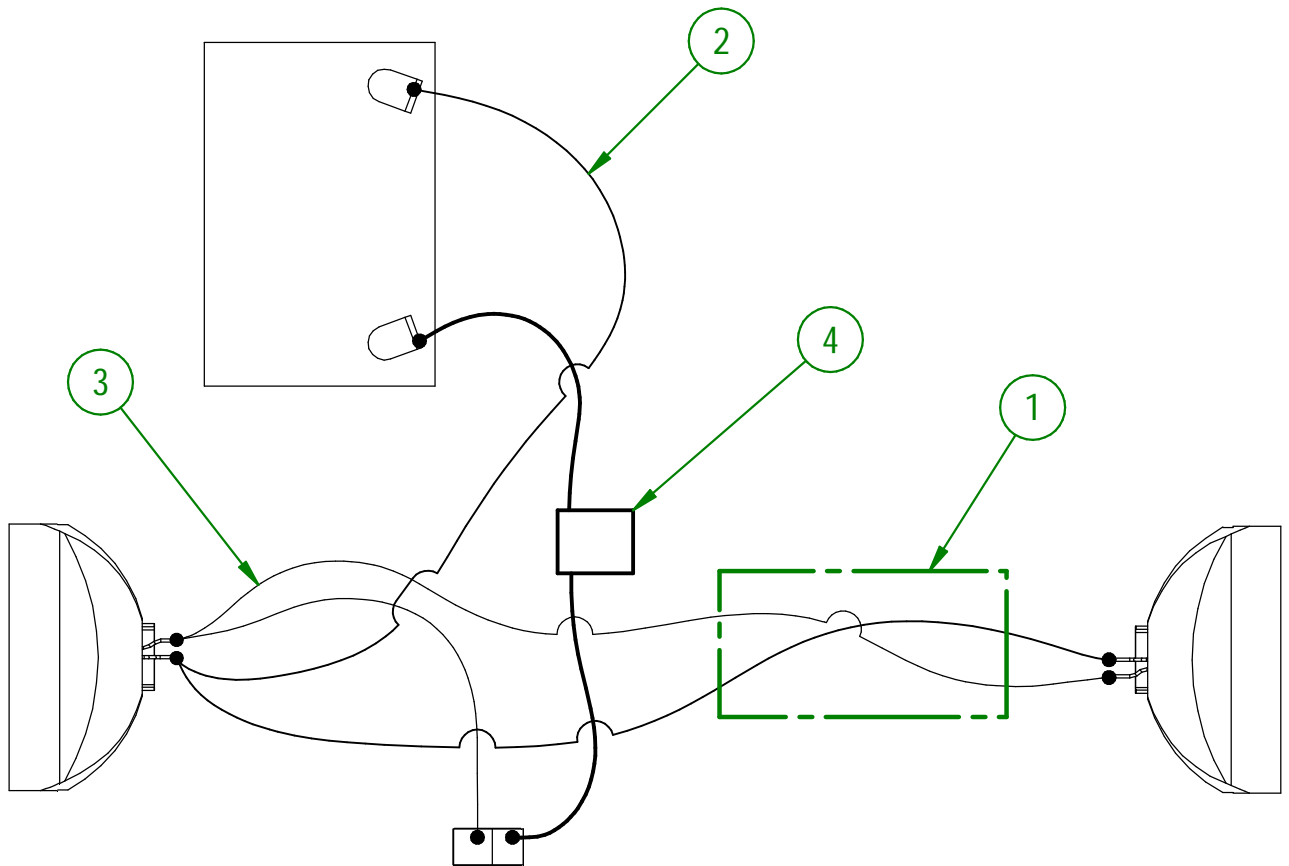
AGRIMETAL
ELECTRICAL SYSTEM

CREATION : 18/02/20
REVISION : 22/09/23

ASSEMBLY : **39-57-0121**
AUTHOR : D. Bevins

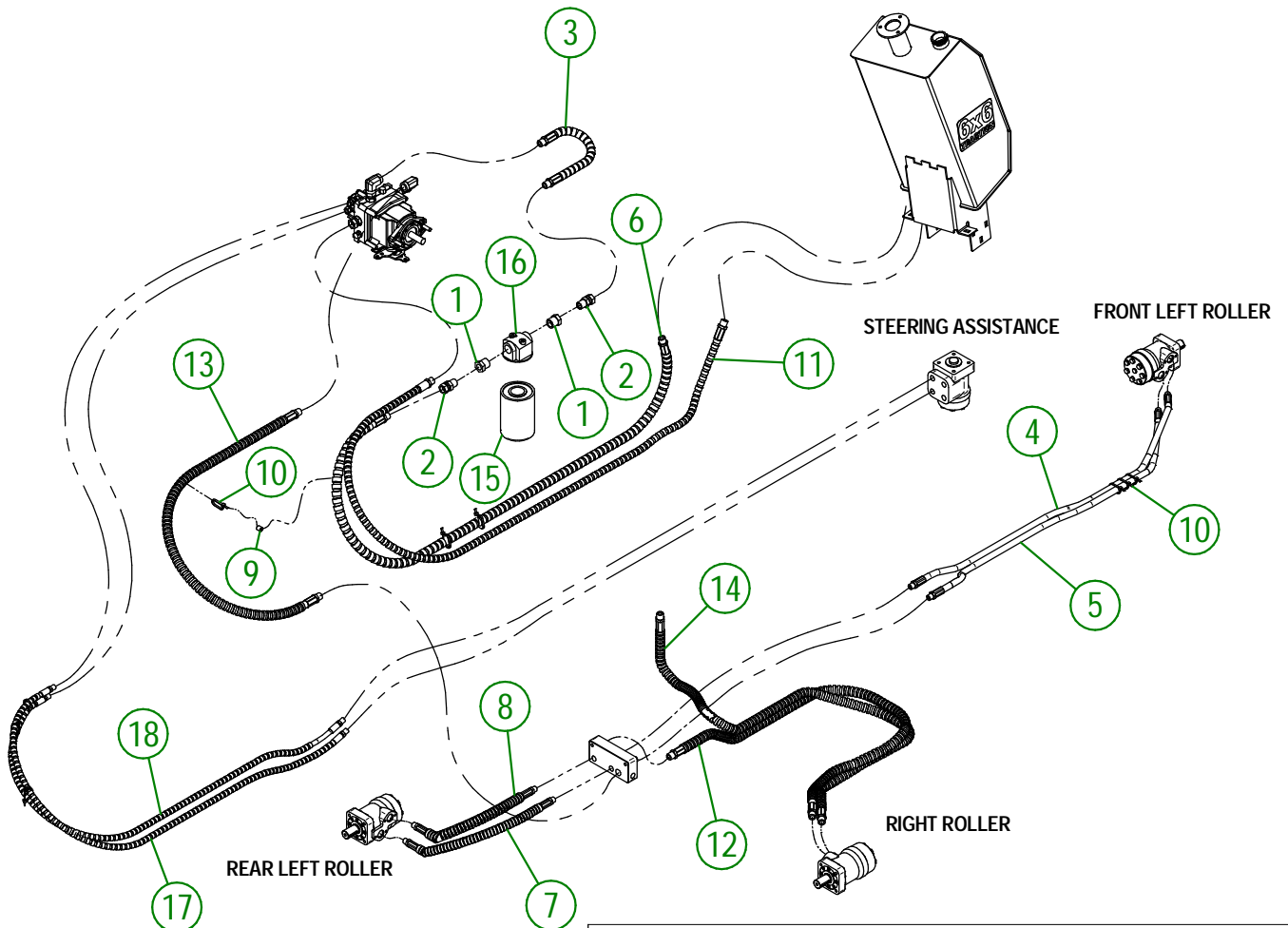
39-57-0016

#	PART #	Qty	TITLE
1*	NC13-40-0030	1	URETHANE HOSE
2*	39-57-0031	1	BROWN WIRE COMBINATION
3*	39-57-0025	1	WHITE WIRE COMBINATION
4*	39-57-0020	1	FUSE COMPARTMENT



AGRIMETAL	
COMPLETE ELECTRIC WIRE SET	
CREATION : 21/12/21	ASSEMBLY : 39-57-0016
REVISION : 21/12/21	AUTHOR : Dessin1

#	PART #	Qty	TITLE
1	NCI3-45-0032	2	STRAIGHT HOSE FITTING 1/2 FEM. NPT X 3/4 MALE NPT
2	NCI3-45-0091	2	STRAIGHT HOSE FITTING 1/2 MALE NPTF X 1/2 FEM. SWIVEL
3	NCI7-02-0313	1	HYDRAULIC HOSE 19"
4	NCI7-02-0312	1	HYDRAULIC HOSE 48 1/2"
5	NCI7-02-0312	1	HYDRAULIC HOSE 48 1/2"
6	NCI7-02-0317	1	HYDRAULIC HOSE 64"
7	NCI7-02-0311	1	HYDRAULIC HOSE 17"
8	NCI7-02-0408	1	HYDRAULIC HOSE 14"
9	NCI3-40-0025	1	BLACK GASOLINE HOSE
10	NCI3-25-0019	9	NYLON CABLE TIE
11	39-55-0365	1	HYDRAULIC HOSE 75"
12	NCI7-02-0315	1	HYDRAULIC HOSE 60"
13	NCI7-02-0314	1	HYDRAULIC HOSE 44"
14	NCI7-02-0316	1	HYDRAULIC HOSE 66"
15	NCI3-45-0048	1	OIL FILTER
16	NCI3-45-0049	1	HEAD FILTER
17	NCI7-02-0420	1	HYD. HOSE 1/4 X 70"OAL 1/4 NPTMALE RIG.X 1/4NPTMALE RIG
18	NCI7-02-0420	1	HYD. HOSE 1/4 X 70"OAL 1/4 NPTMALE RIG.X 1/4NPTMALE RIG

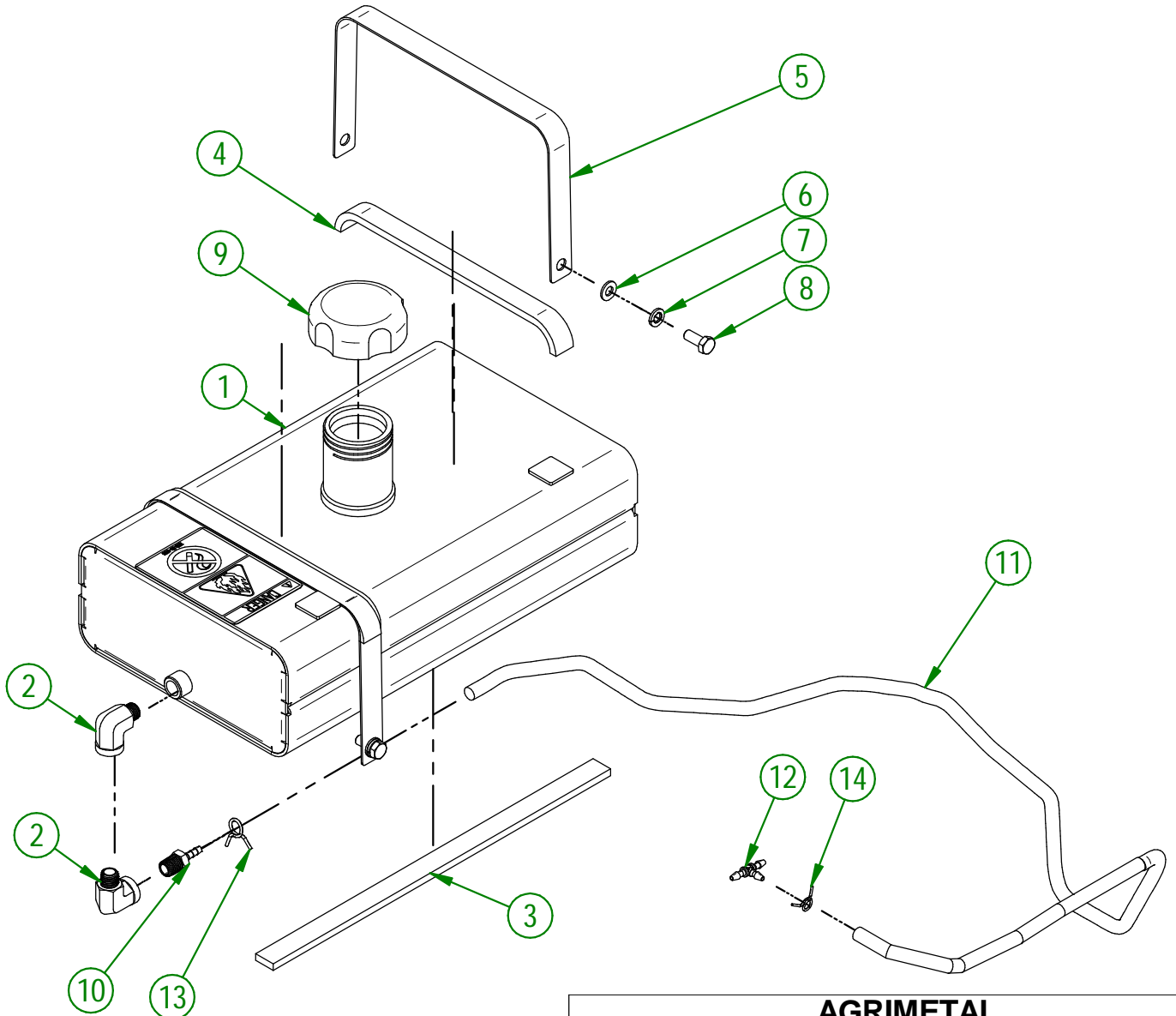


AGRIMETAL
HYDRAULIC SYSTEM

CREATION : 21/12/21
REVISION : 22/12/21

ASSEMBLY : **39-57-0205**
AUTHOR : D. Bevins

#	PART #	Qty	TITLE
1	39-57-5005	1	ALUMINUM GAS TANK
2	NC13-45-0142	2	90° 1/4 FEMELLE NPT X 1/4 MALE NPT
3	39-42-0090	2	RUBBER FOAM SEAL TAPE BLACK 1/4" X 3/4" X 14 1/2" LG
4	39-42-0095	2	RUBBER FOAM SEAL TAPE BLACK 1/4" X 3/4" X 9 7/8" LG
5	39-01-6600	2	GAS TANK STRIP SUPPORT
6	NC02-22-0008	4	WASHER ZINC 5/16"
7	NC02-32-0011	4	LOCK WASHER ZINC 5/16"
8	NC01-17-0058	4	HEX. BOLT GR2 ZINC 5/16-18 X 3/4"
9	NC13-37-0673	1	GAS CAP
10	NC13-68-0022	1	BRASS BARBED FITTING 3/16" X 1/4" NPT
11	39-46-0155	1	GAS LINE 1/4" X 38" LG
12	NC13-68-0032	1	PLASTIC BARBED TEE FITTING TEE CONNECTOR 3/16" (GASOLINE)
13	NC01-65-0305	1	CONSTANT-TENSION SPRING CLAMPS 7/16"
14	NC01-65-0304	1	CONSTANT-TENSION SPRING CLAMPS 5/16"



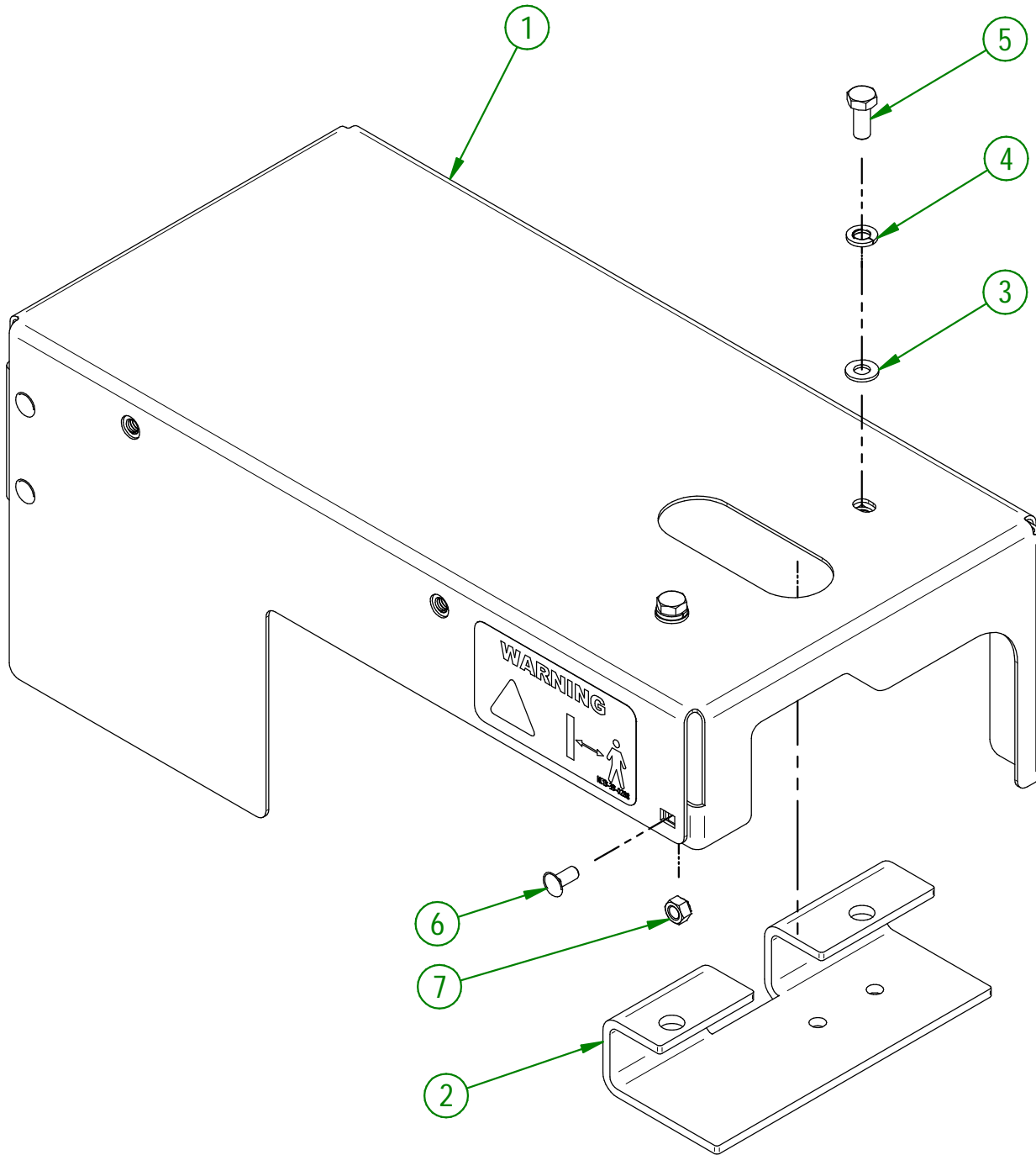
AGRIMETAL
GAS TANK OPTIONAL

CREATION : 08/09/22
 REVISION : 12/09/22

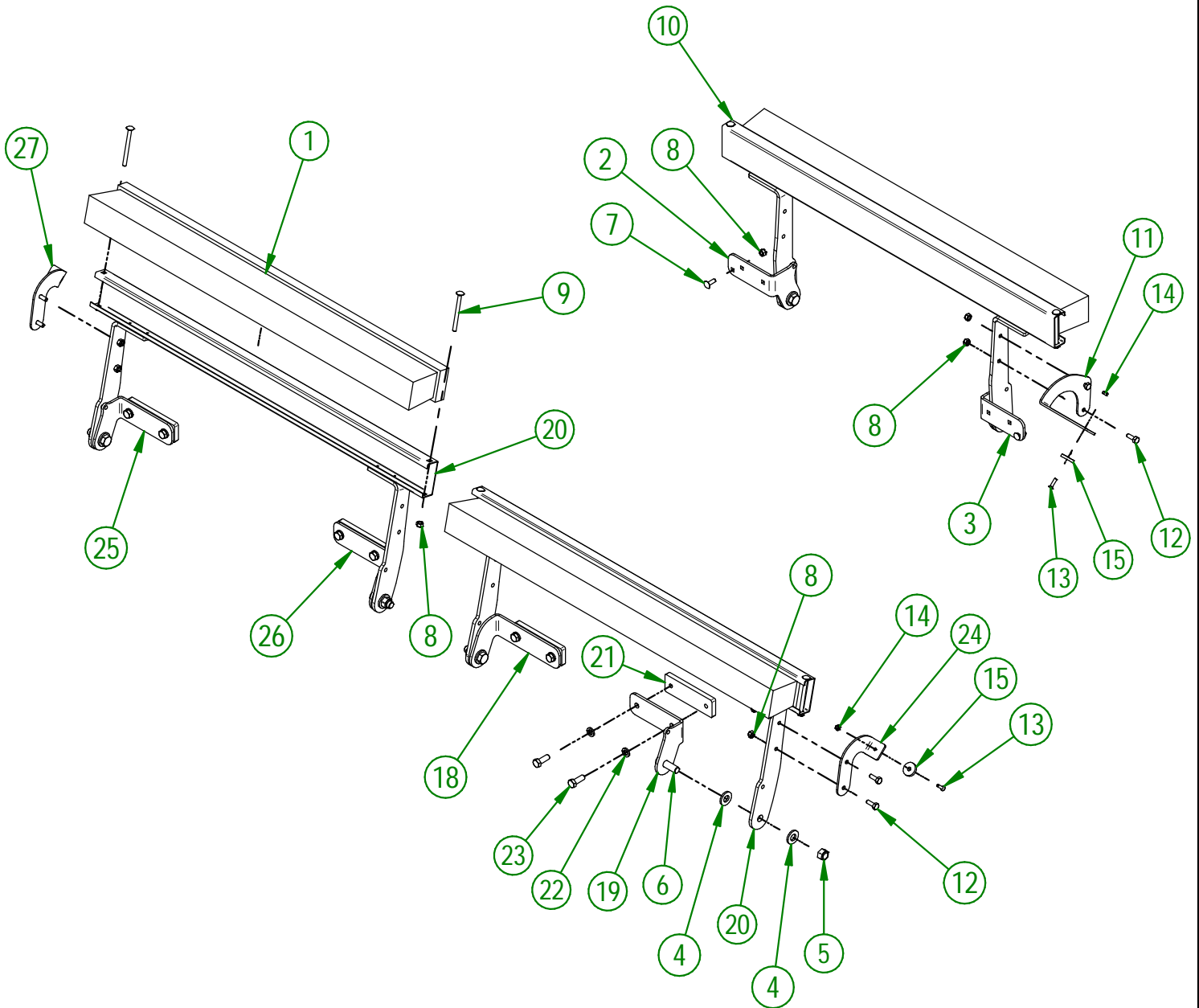
ASSEMBLY : **39-57-5020**
 AUTHOR : D. CHASSÉ

39-57-5015

#	PART #	Qty	TITLE
1	39-57-5010	1	HYDROLISTATIC PUMP GUARD
2	39-50-5005	1	HYDROLISTATIC PUMP GUARD SUPPORT
3	NC02-22-0008	2	WASHER ZINC 5/16"
4	NC02-32-0011	2	LOCK WASHER ZINC 5/16"
5	NC01-17-0058	2	HEX. BOLT GR2 ZINC 5/16-18 X 3/4"
6	NC01-04-0001	5	CARR. BOLT GR2 ZINC 1/4-20 X 1/2"
7	NC01-96-0009	5	NYLON-INSERT LOCKNUT ZINC 1/4-20



AGRIMETAL	
HYDROLISTATIC PUMP GUARD	
CREATION : 08/09/22	ASSEMBLY : 39-57-5015
REVISION : 29/09/22	AUTHOR : D. CHASSÉ



AGRIMETAL
BRUSH OPTION

CREATION : 25/05/21
 REVISION : 22/12/21

ASSEMBLY : **39-57-9015**
 AUTHOR : G.HUBERDEAU

39-57-9015

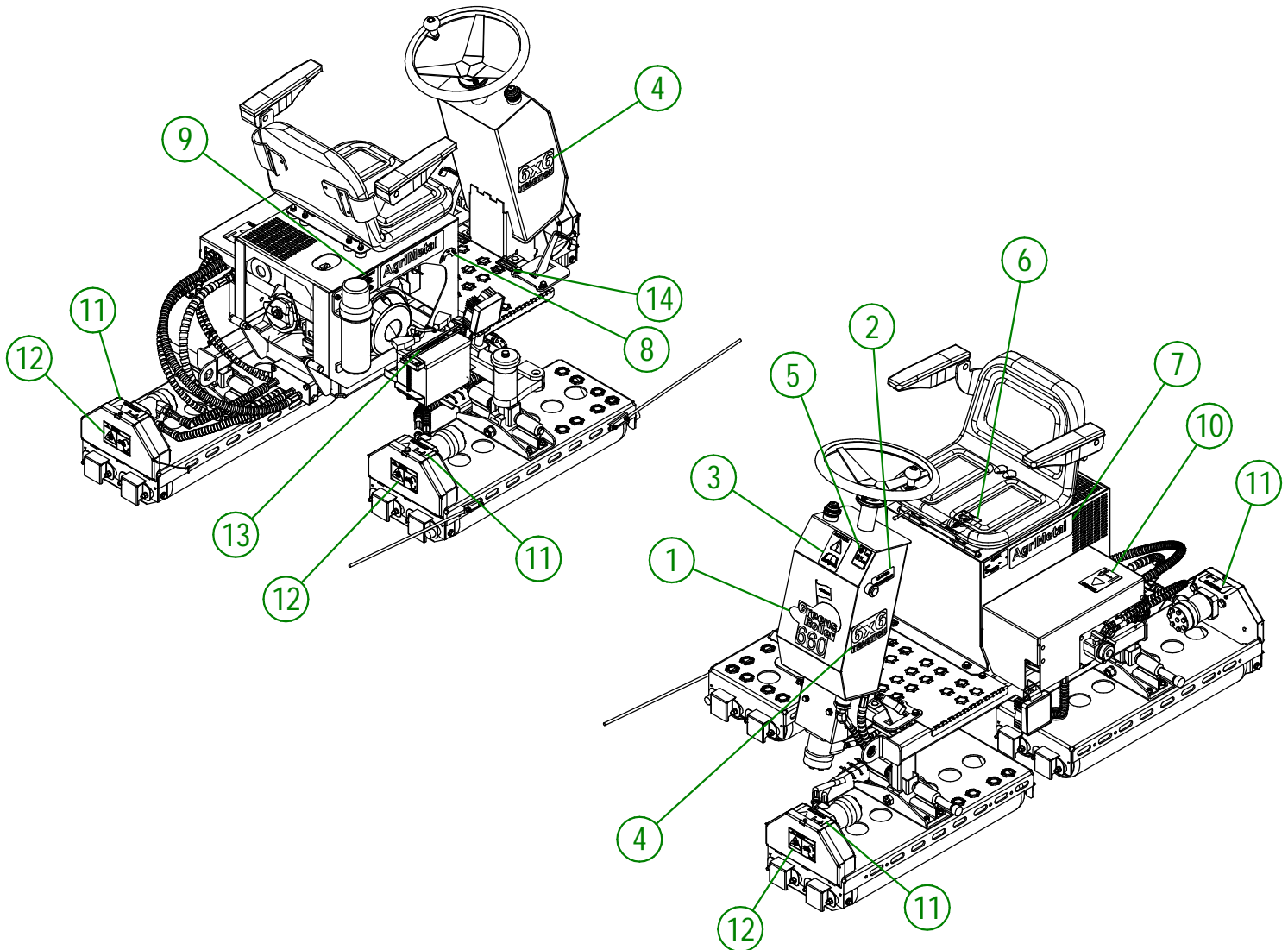
#	PART #	Qty	TITLE
1	NC13-80-0293	3	BRUSH
2	39-04-0505	1	RIGHT BRUSH HOLDER
3	39-04-0510	1	RIGHT BRUSH HOLDER
4	NC02-25-0011	18	WASHER SAE ZINC 17/32 ID
5	NC01-96-0014	6	NYLON-INSERT LOCKNUT ZINC 1/2-13
6	NC01-17-0249	6	HEX. BOLT GR2 ZINC 1/2-13 X 1 1/2"
7	NC01-04-0003	2	CARR. BOLT GR2 ZINC 1/4-20 X 3/4"
8	NC01-96-0009	14	NYLON-INSERT LOCKNUT ZINC 1/4-20
9	NC01-02-0013	6	CARR. BOLT GR2 ZINC 1/4-20 X 3/4"
10	39-50-9000	1	RIGHT BRUSH HOLDER
11	39-01-0295	1	MAGNET HOLDER (RIGHT)
12	NC01-17-0004	6	HEX. BOLT GR2 ZINC 1/4-20 X 3/4"
13	NC02-36-0110	3	MACHINE SCREW FLAT HEAD 10-24 X 3/4" LG.
14	NC01-96-0006	3	NYLON NUT ZINC 10-24
15	NC13-05-0008	3	MAGNET
16*	39-01-0240	1	JIG FOR LEFT BRUSHES
17*	39-01-0245	1	JIG FOR RIGHT BRUSH
18	39-04-0503	1	LEFT REAR BRUSH HOLDER
19	39-04-0500	1	LEFT REAR BRUSH HOLDER
20	39-50-9005	2	LEFT BRUSH HOLDER
21	39-05-0505	4	PLATE FOR BRUSH HOLDER
22	NC02-32-0012	8	LOCK WASHER ZINC 3/8"
23	NC01-17-0114	8	HEX. BOLT GR2 ZINC 3/8-16 X 1"
24	39-01-0290	1	MAGNET HOLDER (REAR-RIGHT)
25	39-04-0501	1	LEFT FRONT BRUSH HOLDER
26	39-04-0504	1	LEFT FRONT BRUSH HOLDER
27	39-01-0293	1	MAGNET HOLDER (REAR-LEFT)

AGRIMETAL
BRUSH OPTION

CREATION : 25/05/21
REVISION : 22/12/21

ASSEMBLY : **39-57-9015**
AUTHOR : G.HUBERDEAU

#	PART #	Qty	TITLE
1	NCI3-33-0232	1	STICKER AGRIMETAL GREENS ROLLER 660
2	NCI3-33-0003	1	STICKER OIL LEVEL
3	NCI3-33-0183	1	STICKER CAUTION OPERATION MANUAL
4	NCI3-33-0336	2	STICKER 6X6
5	NCI3-33-0340	1	STICKER 85 DB
6	NCI3-33-0185	1	STICKER PICTOGRAM (FIRE + CIGARETTE)
7	NCI3-33-0035	2	STICKER AGRIMETAL
8	NCI3-33-0095	1	STICKER OFF ON START
9	NCI3-33-0151	1	STICKER (IMPORTANT TO PREVENT ENGINE FAILURE...)
10	NCI3-33-0257	1	STICKER HIGH PRESSURE LIQUID PICTOGRAM
11	NCI3-33-0288	3	STICKER WARNING HIGH-PRESSURE LIQUID
12	NCI3-33-0247	3	STICKER DANGER
13	NCI3-33-0350	1	LIGHT SWITCH STICKER
14	NCI3-33-0124	2	STICKER STEERING ARROW



AGRIMETAL
GREEN ROLLER GR-660-F

CREATION : 22/12/21
REVISION : 22/12/21

ASSEMBLY : **39-99-0009**
AUTHOR : D. Bevins