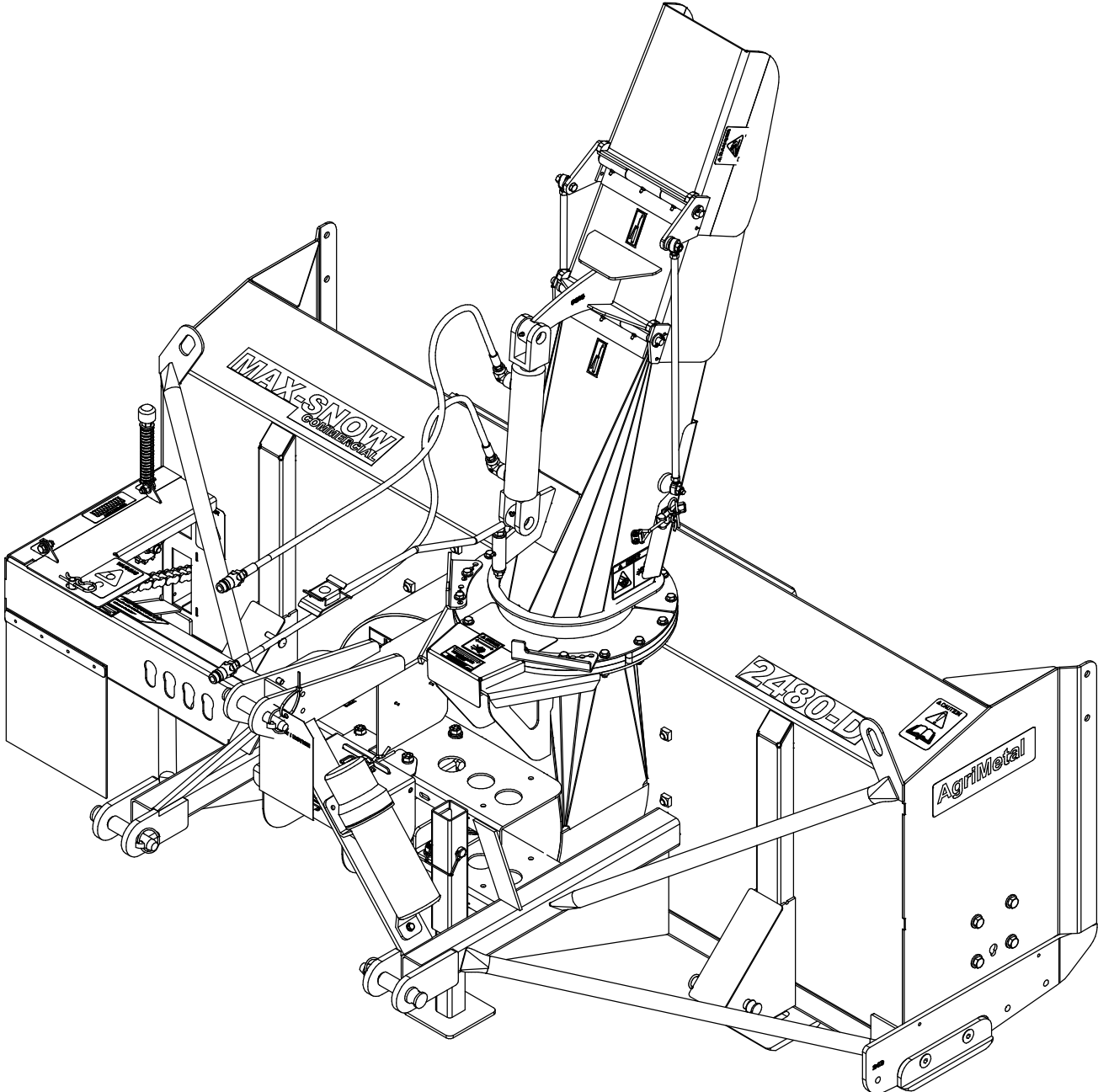


AgriMetal

PARTS LIST

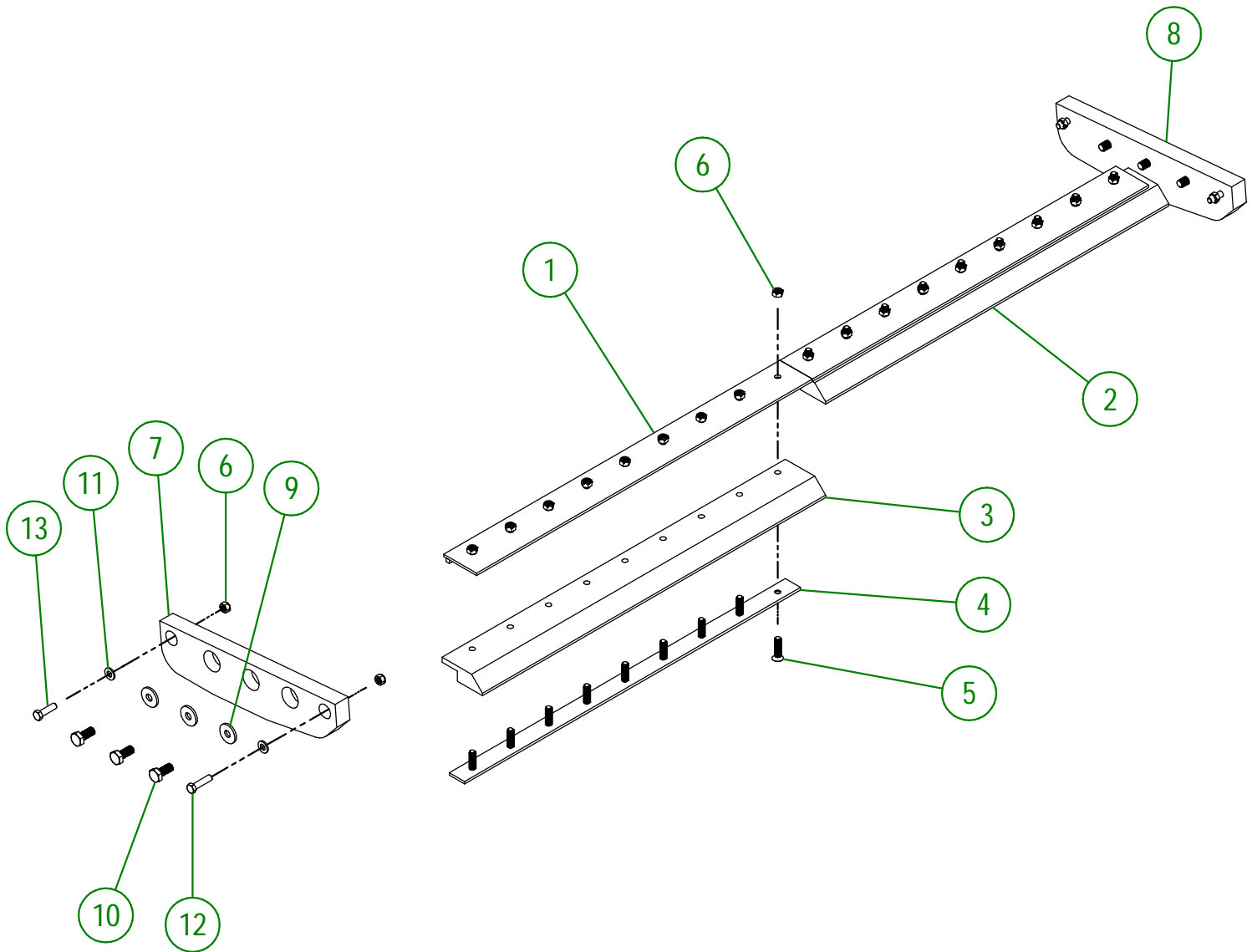


MS 2480-D

BEFORE THE SERIAL NUMBER #38027

82-57-1205

| # | PART # | Qty | TITLE |
|----|--------------|-----|--|
| 1 | 82-50-1200 | 2 | KNIFE BRACE (TOP) |
| 2 | 82-42-0105 | 1 | RIGHT KNIFE (UHMW) |
| 3 | 82-42-0106 | 1 | LEFT KNIFE (UHMW) |
| 4 | 82-04-0310 | 2 | KNIFE BRACE (UNDER) |
| 5 | NC02-48-0548 | 18 | FLAT HEAD SOCKET CAP SCREW STAINLESS 1/2-13 X 2" |
| 6 | NC01-93-0014 | 22 | LOCK NUT ZINC 1/2-13 |
| 7 | 82-42-0110 | 1 | LATERAL KNIFE (LEFT) |
| 8 | 82-42-0111 | 1 | LATERAL KNIFE (RIGHT) |
| 9 | 80-04-0185 | 6 | WASHER |
| 10 | NC01-17-0394 | 6 | HEX. BOLT GR2 ZINC 5/8-11 X 1 1/2" |
| 11 | NC02-25-0011 | 4 | WASHER SAE ZINC 17/32 ID |
| 12 | NC01-17-0251 | 2 | HEX. BOLT GR2 ZINC 1/2-13 X 2" |
| 13 | NC01-17-0250 | 2 | HEX. BOLT GR2 ZINC 1/2-13 X 1 3/4" |



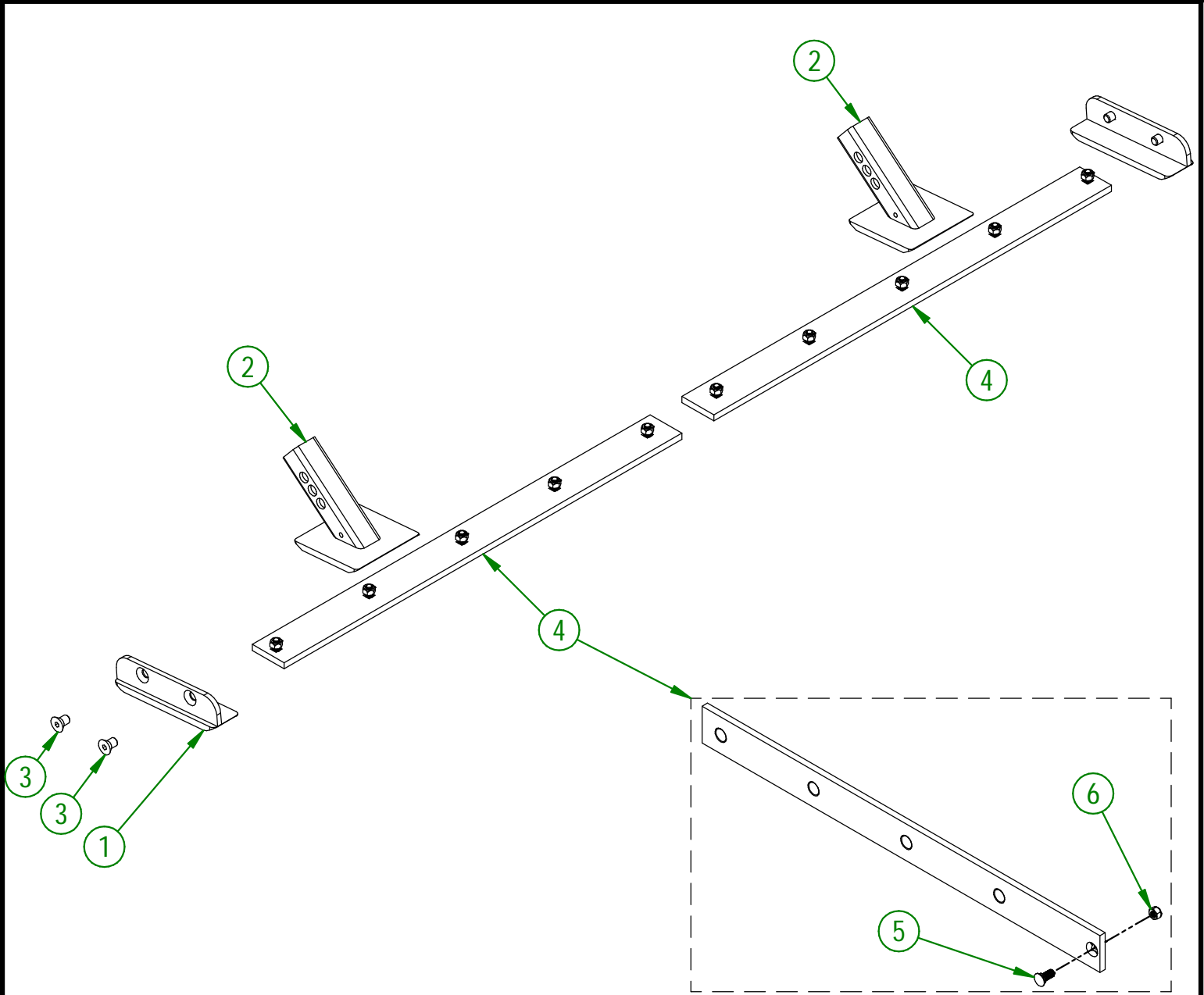
| | |
|-----------------------------|------------------------------|
| AGRIMETAL | |
| SET OF KNIVES (UHMW) | |
| CREATION : 19/07/16 | ASSEMBLY : 82-57-1205 |
| REVISION : 27/09/23 | AUTHOR : J. HOULE |

82-57-1200

| # | PART # | Qty | TITLE |
|---|--------------|-----|---|
| 1 | 80-50-0085 | 2 | LATERAL SKATE (#450 HARDNESS STEEL) |
| 2 | 80-50-0055 | 2 | ADJUSTABLE SKATE (STEEL) |
| 3 | NC02-48-0586 | 4 | FLAT HEAD SOCKET CAP SCREW 5/8-11 X 1" LG |
| 4 | 82-57-0060 | 2 | KNIFE (#450 HARDNESS STEEL) GROUP (BOLTS AND NUTS INCLUDED) |

82-57-0060

| # | PART # | Qty | TITLE |
|---|--------------|-----|----------------------------------|
| 5 | NC01-09-0029 | 5 | PLOW BOLT GR5 1/2-13 X 1 1/4" LG |
| 6 | NC01-93-0014 | 5 | LOCK NUT ZINC 1/2-13 |



AGRIMETAL

SET OF KNIVES (#450 HARDNESS STEEL)

CREATION : 19/07/16
 REVISION : 26/09/23

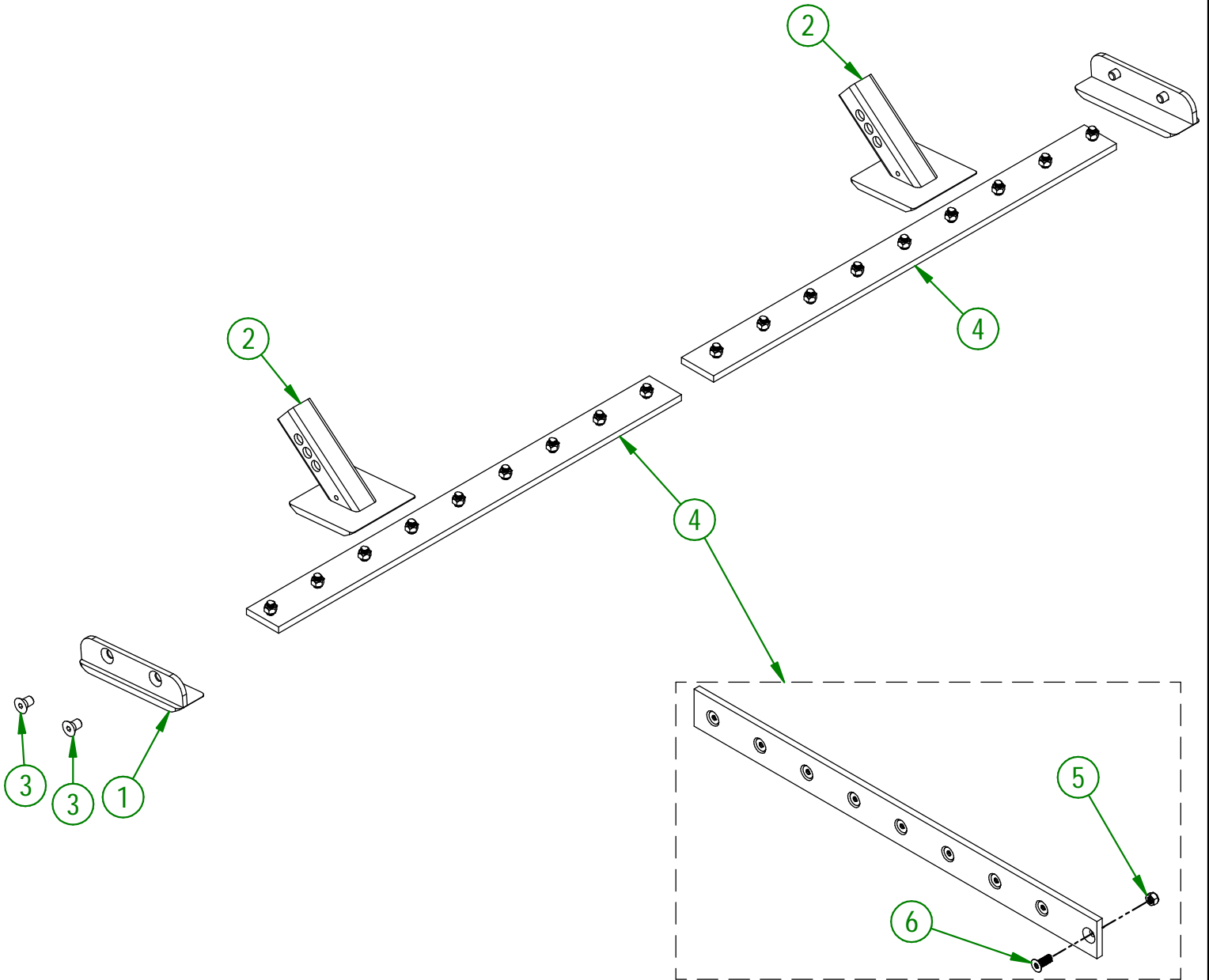
ASSEMBLY : **82-57-1200**
 AUTHOR : Dessin2

82-57-1210

| # | PART # | Qty | TITLE |
|---|--------------|-----|---|
| 1 | 80-50-0087 | 2 | LATERAL SKATE (STAINLESS STEEL) |
| 2 | 80-50-0058 | 2 | ADJUSTABLE SKATE (STAINLESS STEEL) |
| 3 | NC02-48-0586 | 4 | FLAT HEAD SOCKET CAP SCREW 5/8-11 X 1"LG |
| 4 | 82-57-0065 | 2 | KNIFE (STAINLESS STEEL) GROUP (BOLTS AND NUTS INCLUDED) |

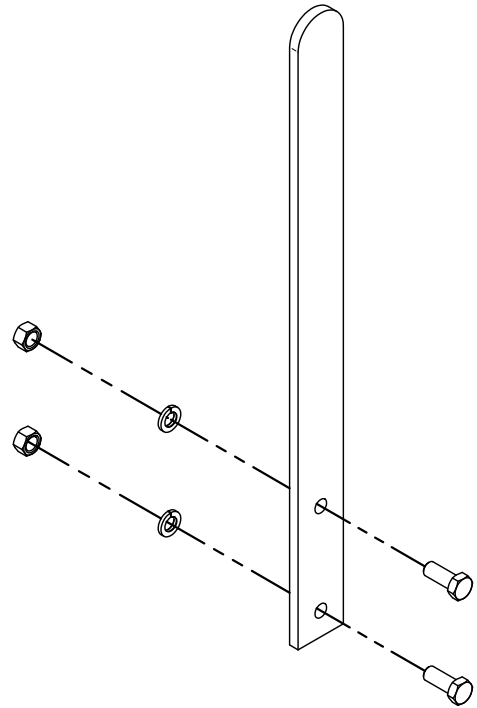
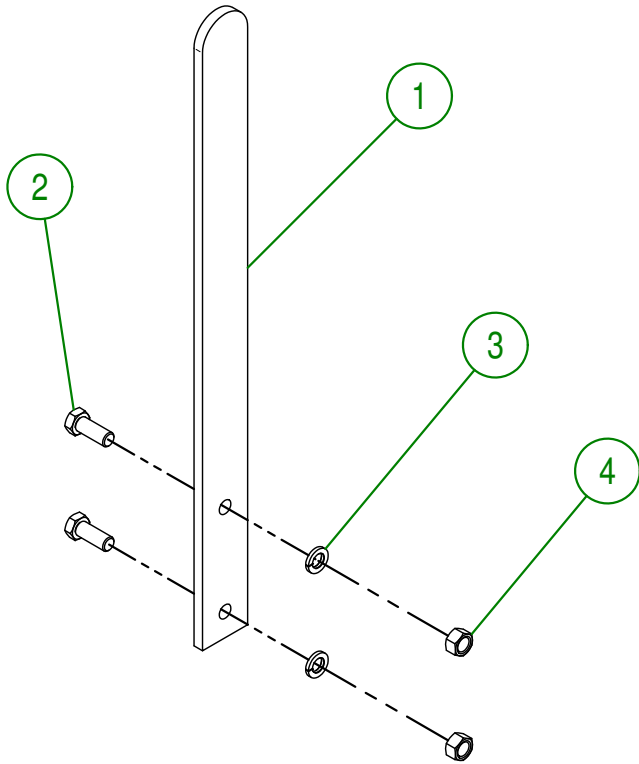
82-57-0065

| # | PART # | Qty | TITLE |
|---|--------------|-----|---|
| 5 | NC01-93-0014 | 9 | LOCK NUT ZINC 1/2-13 |
| 6 | NC02-48-0545 | 9 | FLAT HEAD SOCKET CAP SCREW 1/2"-13 X 1 1/4" (STAINLESS STEEL) |



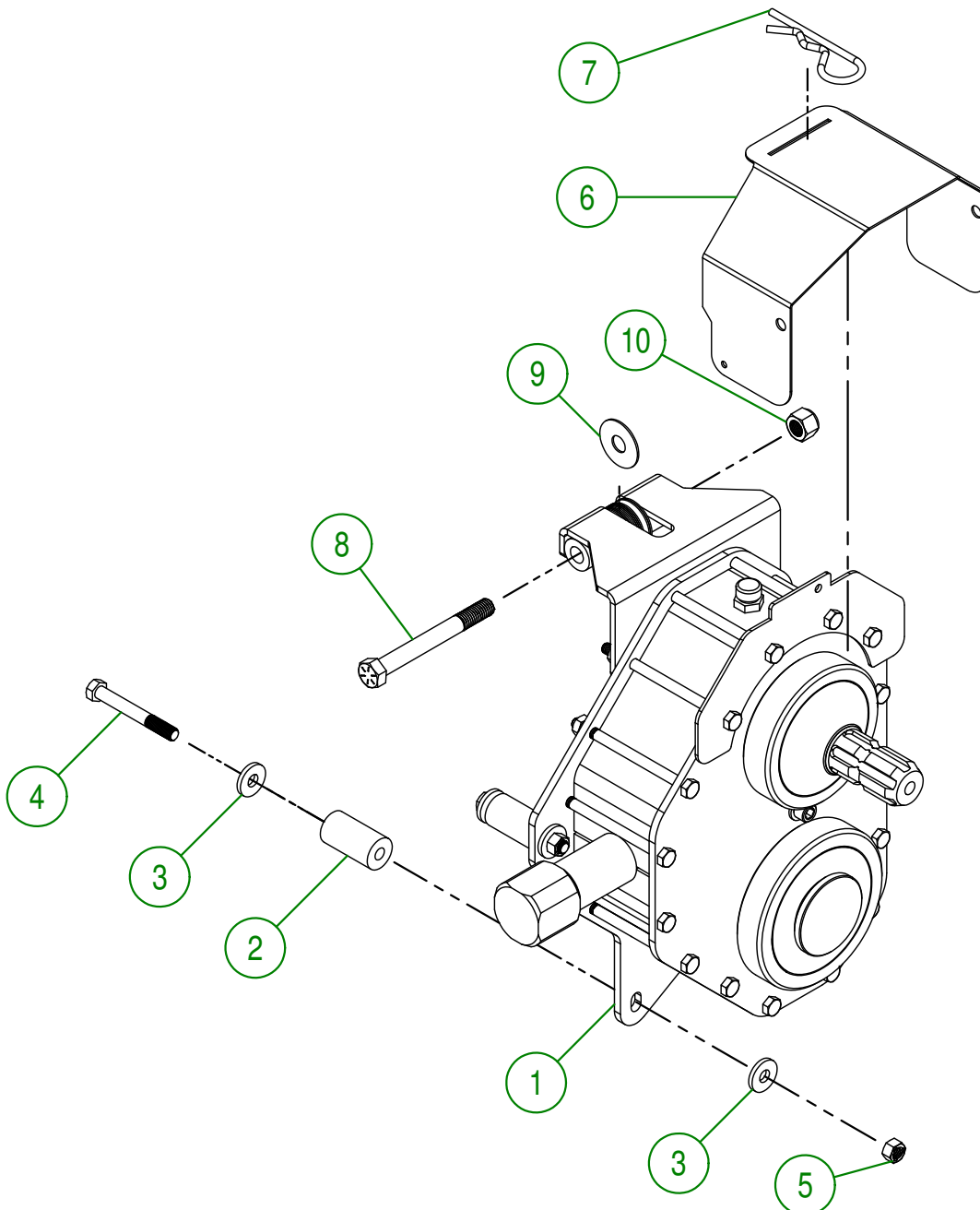
| | |
|--|------------------------------|
| AGRIMETAL | |
| SET OF KNIVES (STAINLESS STEEL) | |
| CREATION : 19/07/16 | ASSEMBLY : 82-57-1210 |
| REVISION : 26/09/23 | AUTHOR : Dessin2 |

| # | PART # | Qty | TITLE |
|---|--------------|-----|------------------------------------|
| 1 | 48-05-2105 | 2 | LATERAL CUTTER BLADES |
| 2 | NC01-25-0248 | 4 | HEX. BOLT GR5 ZINC 1/2-13 X 1 1/4" |
| 3 | NC02-32-0014 | 4 | LOCK WASHER ZINC 1/2" |
| 4 | NC02-07-0020 | 4 | HEX. NUT ZINC 1/2-13 |



| | |
|------------------------------|-------------------------------------|
| AGRIMETAL | |
| LATERAL CUTTER BLADES | |
| CREATION : 24/11/17 | ASSEMBLY : 48-57-1235 |
| REVISION : 22/10/18 | AUTHOR : J. Houle Page 4 de 23 |

| # | PART # | Qty | TITLE |
|----|--------------|-----|--|
| 1 | 80-55-0050 | 1 | CHAIN CASE BOX (OPTION) |
| 2 | 81-21-0030 | 4 | CHAIN CASE SUPPORT |
| 3 | 21-01-0950 | 8 | FLAT WASHER IOGA 1.005" DIA X 25/64" |
| 4 | NC01-37-0122 | 4 | HEX. BOLT. GR8 NF ZINC 3/8-24 X 3" |
| 5 | NC01-94-0011 | 4 | LOCK NUT 3/8-24 |
| 6 | 82-01-0000 | 1 | PTO GUARD |
| 7 | NC01-63-0027 | 1 | HAIRPIN COTTER |
| 8 | NC01-37-0261 | 1 | HEX. BOLT GR8 NF ZINC 1/2-20 X 4 1/2" LG |
| 9 | NC02-26-1300 | 10 | WASHER 17/32-.531"ID X 1 1/2"OD |
| 10 | NC01-97-0008 | 1 | HEX. LOCK NUT NYLO. NF Z 1/2-20 |



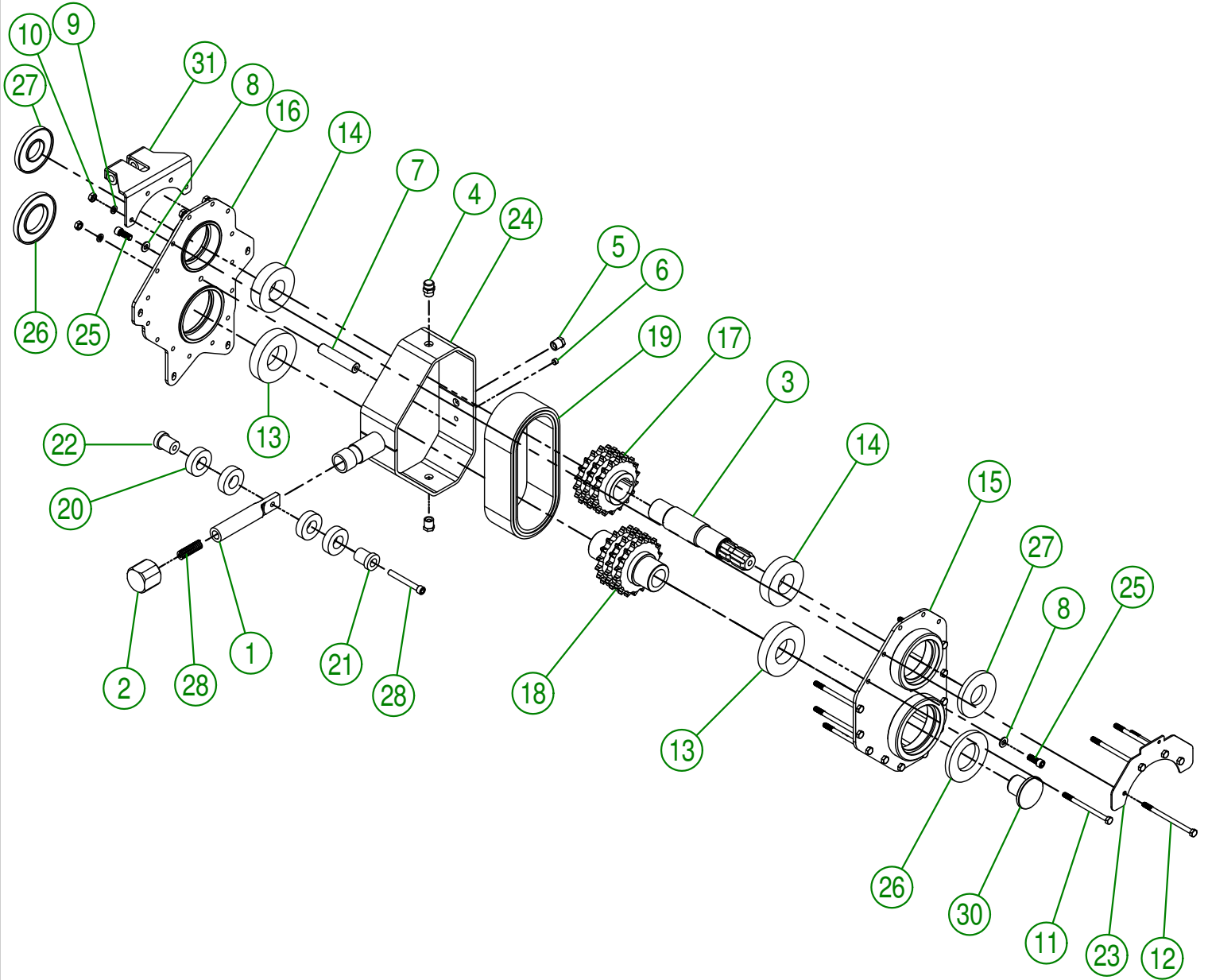
AGRIMETAL
CHAIN CASE GROUP.

CREATION : 10/04/18
REVISION : 29/05/19

ASSEMBLY : **82-57-2945**

AUTHOR : J.KABWE

Page 5 de 23



| | |
|--------------------------------|---------------------------------|
| AGRIMETAL | |
| CHAIN CASE BOX (OPTION) | |
| CREATION : 05/04/18 | ASSEMBLY : 80-55-0050 |
| REVISION : 29/05/19 | AUTHOR : J.KABWE Page 6 de 23 |

| # | PART # | Qty | TITLE |
|----|--------------|-----|--|
| 1 | 80-20-0045 | 1 | CHAIN TIGHTENER |
| 2 | 81-21-0025 | 1 | CHAIN CASE TIGHTENER PLUG |
| 3 | 80-20-0015 | 1 | SHAFT |
| 4 | NC14-10-0160 | 1 | PLUG |
| 5 | NC13-45-0221 | 2 | HEXAGONAL PLUG |
| 6 | NC02-44-0202 | 1 | PRESSURE SCREW 6PANS NPTF 1/8-27 |
| 7 | 80-13-0010 | 1 | COVER BRACE |
| 8 | 49-22-1810 | 2 | WASHER |
| 9 | NC02-32-0011 | 15 | LOCK WASHER ZINC 5/16" |
| 10 | NC02-11-0017 | 15 | HEX. NUT 5/16-24 |
| 11 | NC01-37-0074 | 11 | HEX. BOLT ZINC GR8 5/16-24 X 4 1/2" |
| 12 | NC01-37-0076 | 4 | HEX. BOLT ZINC GR8 5/16-24 X 5" |
| 13 | NC14-75-0166 | 2 | BEARING 6211-2RS |
| 14 | NC14-75-0167 | 2 | BEARING 6308-2RC3 |
| 15 | 80-50-9010 | 1 | CHAIN CASE FRONT |
| 16 | 80-50-9005 | 1 | CHAIN CASE BACK |
| 17 | 80-50-9015 | 1 | CHAIN CASE PINION (TOP) |
| 18 | 80-50-9020 | 1 | CHAIN CASE PINION (BOTTOM) |
| 19 | 80-37-0000 | 1 | CHAIN TRIPLE #60 |
| 20 | NC14-70-0085 | 4 | BEARING #6205 X 1" |
| 21 | 80-13-0015 | 1 | CHAIN CASE TIGHTENER RING |
| 22 | 80-13-0017 | 1 | CHAIN CASE TIGHTENER RING |
| 23 | 80-01-0000 | 1 | PTO GUARD SUPPORT |
| 24 | 80-50-9000 | 1 | BOX SIDE |
| 25 | NC02-51-0618 | 2 | SOCKET HEAD SCREW 3/8-24 X 1 STAINLESS |
| 26 | NC13-80-0278 | 2 | SEALING GASKET 10MM X 55MM X 100MM |
| 27 | NC13-80-0279 | 2 | SEALING GASKET 10MM X 40MM X 90MM |
| 28 | NC02-51-0126 | 1 | SOCKET HEAD SCREW 3/8-24 X 3" |
| 29 | NC13-86-0008 | 1 | BLUE SPRING (5/8" OD. X 4") |
| 30 | 81-42-0000 | 1 | HUB PLUG |
| 31 | 80-50-2000 | 1 | CHAINCASE BRACE |

AGRIMETAL**CHAIN CASE BOX (OPTION)**

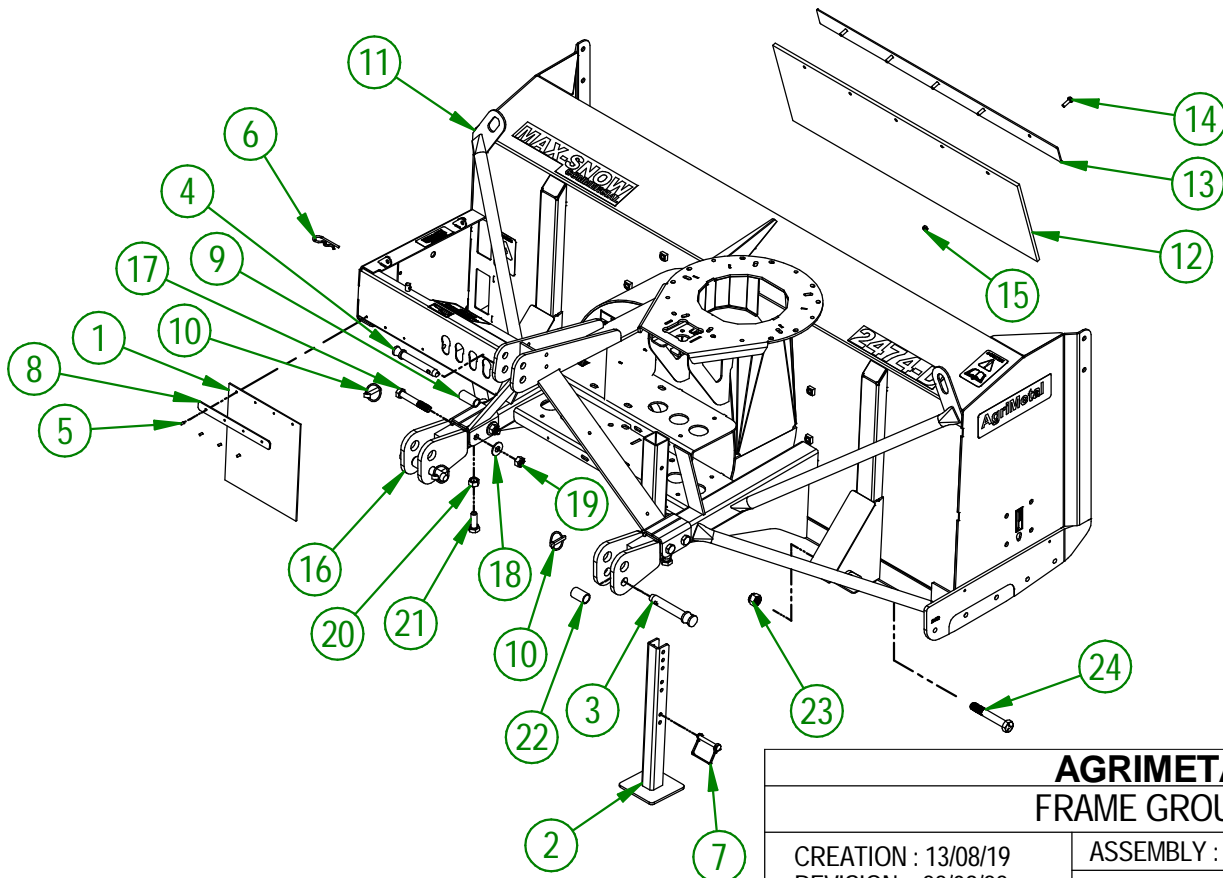
CREATION : 05/04/18
 REVISION : 29/05/19

ASSEMBLY : **80-55-0050**

AUTHOR : J.KABWE

Page 7 de 23

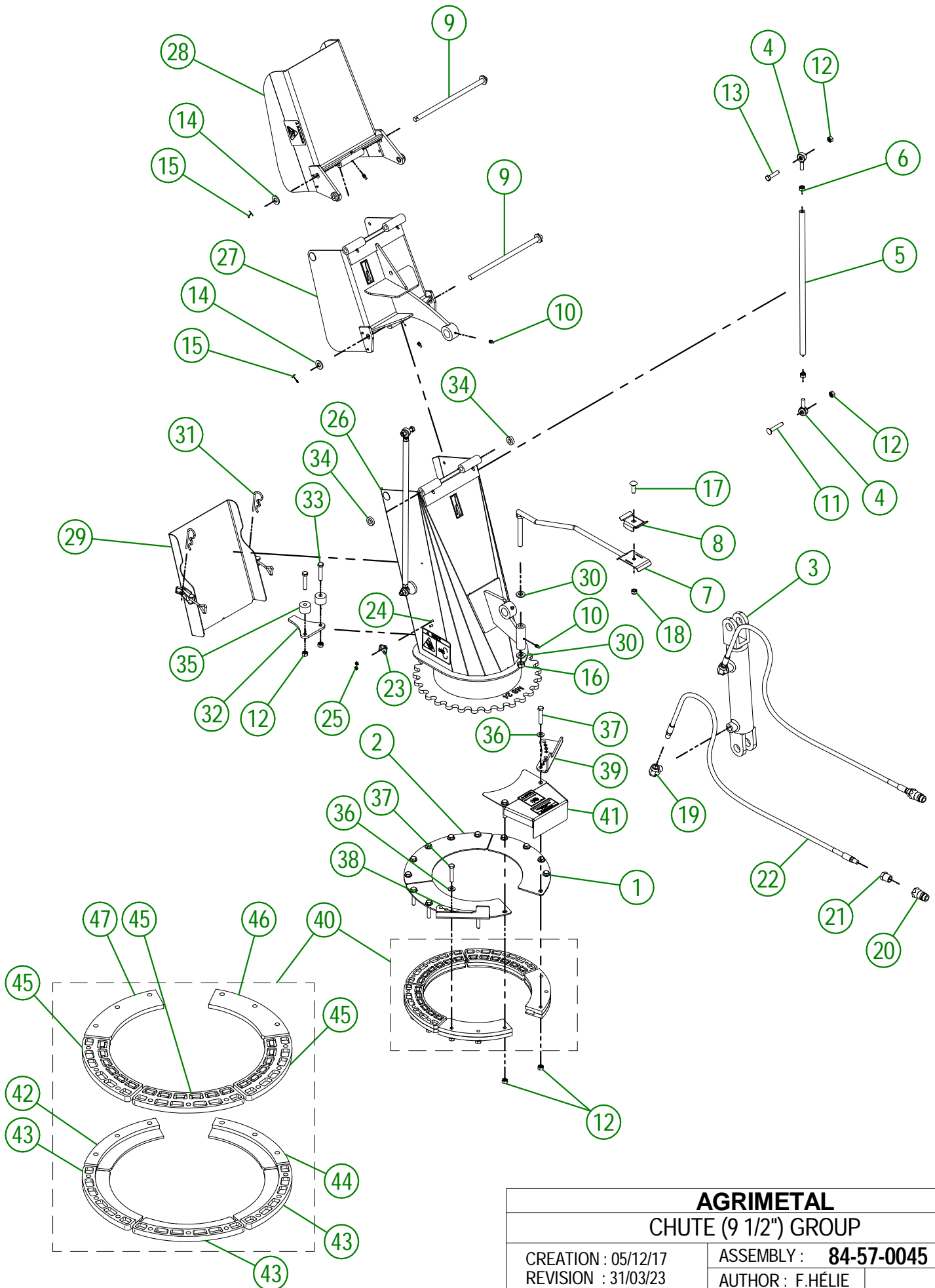
| # | PART # | Qty | TITLE |
|----|--------------|-----|---|
| 1 | NCI3-15-0315 | 1 | SNOW GUARD |
| 2 | 80-50-0093 | 1 | STAND |
| 3 | 48-20-0070 | 2 | 3 POINT PIN |
| 4 | 48-20-0075 | 1 | 3 POINT PIN |
| 5 | NC01-78-0016 | 4 | ALUMINIUM BLIND POP RIVET STEEL MANDREL 0.187 X 0.690 |
| 6 | NC01-63-0026 | 1 | COTTER PIN ZC 5/32" X 3" |
| 7 | NC01-69-1306 | 1 | LOCKING PIN 3/8" X 2 1/2" LG |
| 8 | 82-01-0970 | 1 | SNOW GUARD BRACE |
| 9 | 21-09-1205 | 1 | BUSHING |
| 10 | NC01-69-1100 | 3 | LINCH PIN 3/8" |
| 11 | 82-57-0502 | 1 | FRAME |
| 12 | NCI3-15-0320 | 1 | RUBBER |
| 13 | 80-57-0060 | 1 | RUBBER REINFORCEMENT |
| 14 | NC01-17-0060 | 5 | HEX. BOLT GR2 ZINC 5/16-18 X 1" |
| 15 | NC01-93-0010 | 5 | LOCK NUT ZINC 5/16-18 |
| 16 | 80-50-5020 | 2 | 3 POINTS HITCH |
| 17 | NC01-33-0404 | 4 | HEX. BOLT GR8 ZINC 5/8-11 X 4" LG |
| 18 | NC02-22-0013 | 4 | WASHER ZINC 5/8 ID X 1 1/2 OD |
| 19 | NC01-93-0016 | 4 | LOCK NUT ZINC 5/8-11 |
| 20 | NC02-07-0022 | 2 | HEX. NUT ZINC 5/8-11 |
| 21 | NC01-17-0395 | 2 | HEX. BOLT GR2 ZINC 5/8-11 X 1 3/4" |
| 22 | 80-13-0105 | 2 | BUSHING |
| 23 | NC01-96-0017 | 2 | HEX. LOCK NUT NYLO. NC 3/4-10 |
| 24 | NC01-25-0481 | 2 | HEX. BOLT GR5 NC 3/4-10 X 5" |



AGRIMETAL
FRAME GROUP

CREATION : 13/08/19
REVISION : 22/09/22

ASSEMBLY : **82-57-2441**
AUTHOR : F.HÉLIE



AGRIMETAL
CHUTE (9 1/2") GROUP

CREATION : 05/12/17
 REVISION : 31/03/23

ASSEMBLY : **84-57-0045**
 AUTHOR : F.HÉLIE

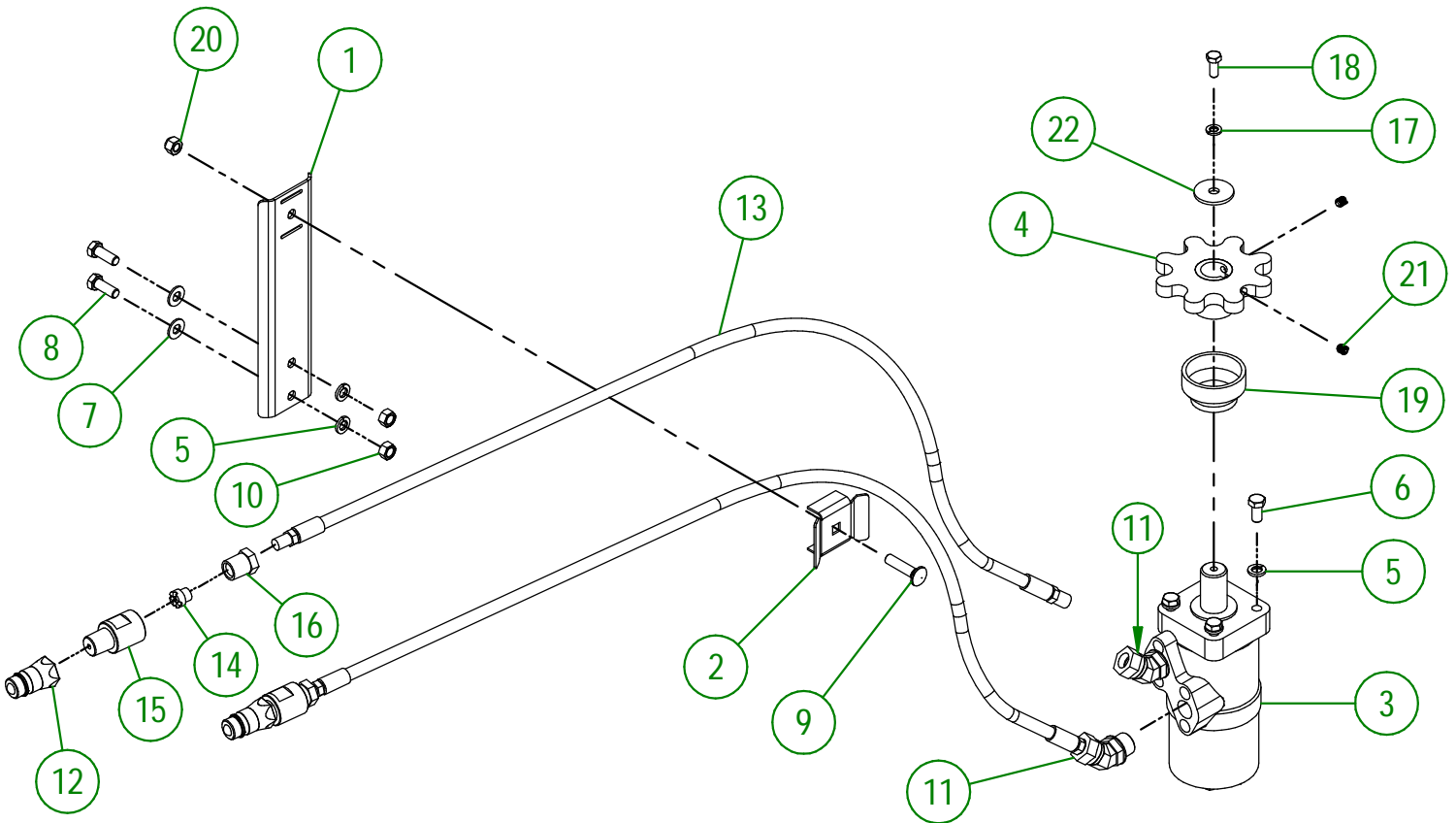
84-57-0045

| # | PART # | Qty | TITLE |
|----|--------------|-----|---|
| 1 | 82-01-0965 | 2 | BRACE |
| 2 | 82-01-0955 | 1 | BRACE |
| 3 | NC13-45-0209 | 1 | HYDRAULIC CYLINDER 6" |
| 4 | NC01-67-0304 | 4 | ROD END 3/8-24 |
| 5 | 48-13-0600 | 2 | CHUTE ROD (DOUBLE) |
| 6 | NC02-10-0018 | 4 | NUT 3/8-24 |
| 7 | 48-50-1030 | 1 | HYDRAULIC HOSE SUPPORT |
| 8 | 48-01-7530 | 1 | HYDRAULIC HOSE SUPPORT |
| 9 | 82-20-0250 | 2 | PIVOT |
| 10 | NC01-69-0785 | 9 | STRAIGHT GREASE FITTING 1/4-28 |
| 11 | NC01-07-0113 | 2 | CARR. BOLT GR5 ZINC 3/8-16 X 2" LG |
| 12 | NC01-93-0011 | 21 | LOCK NUT 3/8-16 |
| 13 | NC01-25-0116 | 2 | HEX. BOLT GR5 ZINC 3/8-16 X 1 1/2" |
| 14 | NC02-25-0011 | 4 | WASHER SAE ZINC 17/32 ID |
| 15 | NC01-69-0139 | 4 | COTTER PIN ZINC 1/8" X 3/4" |
| 16 | NC01-96-0014 | 1 | NYLON-INSERT LOCKNUT ZINC 1/2-13 |
| 17 | NC01-04-0110 | 1 | CARR. BOLT GR2 ZINC 3/8-16 X 1 1/4" |
| 18 | NC01-96-0011 | 1 | NYLON NUT 3/8-16 |
| 19 | NC13-45-0038 | 2 | ELBOW 90 3/8 FEM. NPT X 3/8 MALE NPT |
| 20 | NC13-45-0369 | 2 | QUICK COUPLER 1/2-14 NPTF |
| 21 | NC13-45-0153 | 2 | HEX. REDUCER 1/4 NPT X 1/2 NPT |
| 22 | NC17-02-0329 | 2 | HYDRAULIC HOSE (87" LG) |
| 23 | NC01-63-0052 | 2 | ADJUSTABLE LATCH (STRIKE) |
| 24 | NC02-40-0080 | 4 | MACHINE SCREWS SQUARE SOCKET #10-24 X 1/2" LG |
| 25 | NC01-96-0006 | 4 | NYLON NUT ZINC 3/16 |
| 26 | 84-57-0300 | 1 | CHUTE (BOTTOM SECTION) |
| 27 | 82-57-0311 | 1 | CHUTE (MIDDLE SECTION) |
| 28 | 82-57-0321 | 1 | CHUTE (TOP SECTION) |
| 29 | 82-57-0352 | 1 | CHUTE DOOR |
| 30 | 01-01-0925 | 2 | WASHER |
| 31 | NC01-63-0026 | 2 | COTTER PIN ZC 5/32" X 3" |
| 32 | 84-04-0195 | 1 | STOPPER |
| 33 | NC01-37-0118 | 2 | HEX. BOLT GR8 ZINC 3/8-24 X 2" |
| 34 | NC13-15-0334 | 2 | PIVOT WASHER |
| 35 | 81-21-0040 | 2 | ADJUSTABLE STOPPER SPACER |
| 36 | 01-01-2485 | 15 | FLAT WASHER 14 GA X 13/16"OD X 25/64" ID |
| 37 | NC01-17-0118 | 15 | HEX. BOLT GR2 ZINC 3/8-16 X 2" |
| 38 | 84-04-0180 | 1 | ADJUSTABLE STOPPER |
| 39 | 84-04-0183 | 1 | ADJUSTABLE STOPPER |
| 40 | 84-57-1325 | 1 | CHUTE GUIDE GROUP |
| 41 | 84-57-0500 | 1 | SPROCKET GUARD GROUP "STICKER INCLUDED" |

84-57-1325

| # | PART # | Qty | TITLE |
|----|--------------|-----|---------------------|
| 42 | 46-42-0107 | 1 | CHUTE GUIDE (UNDER) |
| 43 | NC17-46-0030 | 3 | CHUTE GUIDE (UNDER) |
| 44 | 46-42-0106 | 1 | CHUTE GUIDE (UNDER) |
| 45 | NC17-46-0029 | 3 | CHUTE GUIDE (TOP) |
| 46 | 46-42-0101 | 1 | CHUTE GUIDE (TOP) |
| 47 | 46-42-0102 | 1 | CHUTE GUIDE (TOP) |

| # | PART # | Qty | TITLE |
|----|--------------|-----|--|
| 1 | 81-01-7600 | 1 | HYDRAULIC HOSE SUPPORT |
| 2 | 80-01-0020 | 1 | HYDRAULIC HOSE SUPPORT |
| 3 | NC14-45-0156 | 1 | HYDRAULIC MOTOR |
| 4 | 48-50-1025 | 1 | HYDRAULIC ENGINE SPROCKET |
| 5 | NC02-32-0012 | 6 | LOCK WASHER ZINC 3/8" |
| 6 | NC01-17-0112 | 4 | HEX. BOLT GR2 ZINC 3/8-16 X 3/4" |
| 7 | 01-01-2485 | 2 | FLAT WASHER 14 GA X 13/16"OD X 25/64" ID |
| 8 | NC01-17-0114 | 2 | HEX. BOLT GR2 ZINC 3/8-16 X 1" |
| 9 | NC01-04-0111 | 1 | CARR. BOLT GR2 ZINC 3/8-16 X 1 1/2" |
| 10 | NC02-07-0018 | 2 | HEX. NUT ZINC 3/8-16 |
| 11 | NC13-45-0367 | 2 | 45°-7/8-14 MALE O RING X 1/2 FEM.TOUR.NPT PT |
| 12 | NC13-45-0369 | 2 | QUICK COUPLER 1/2-14 NPTF |
| 13 | NC17-02-0328 | 2 | HYDRAULIC HOSE (63" LG) |
| 14 | 80-13-0100 | 2 | HYDRAULIC RESTRICTOR |
| 15 | NC13-45-0378 | 2 | HYDRAULIC RESTRICTOR BUSHING |
| 16 | 80-45-0000 | 2 | HEX. REDUCER 1/4 NPT X 1/2 NPT |
| 17 | NC02-32-0011 | 1 | LOCK WASHER ZINC 5/16" |
| 18 | NC01-45-0184 | 1 | HEX. BOLT GR8.8 ZINC 8MM X 20MM |
| 19 | NC17-46-0031 | 1 | HYDRAULIC MOTOR BUSHING |
| 20 | NC01-96-0011 | 1 | NYLON NUT 3/8-16 |
| 21 | NC02-44-0103 | 2 | SET SCREW 5/16-18 X 3/8" |
| 22 | 01-33-0010 | 1 | WASHER |

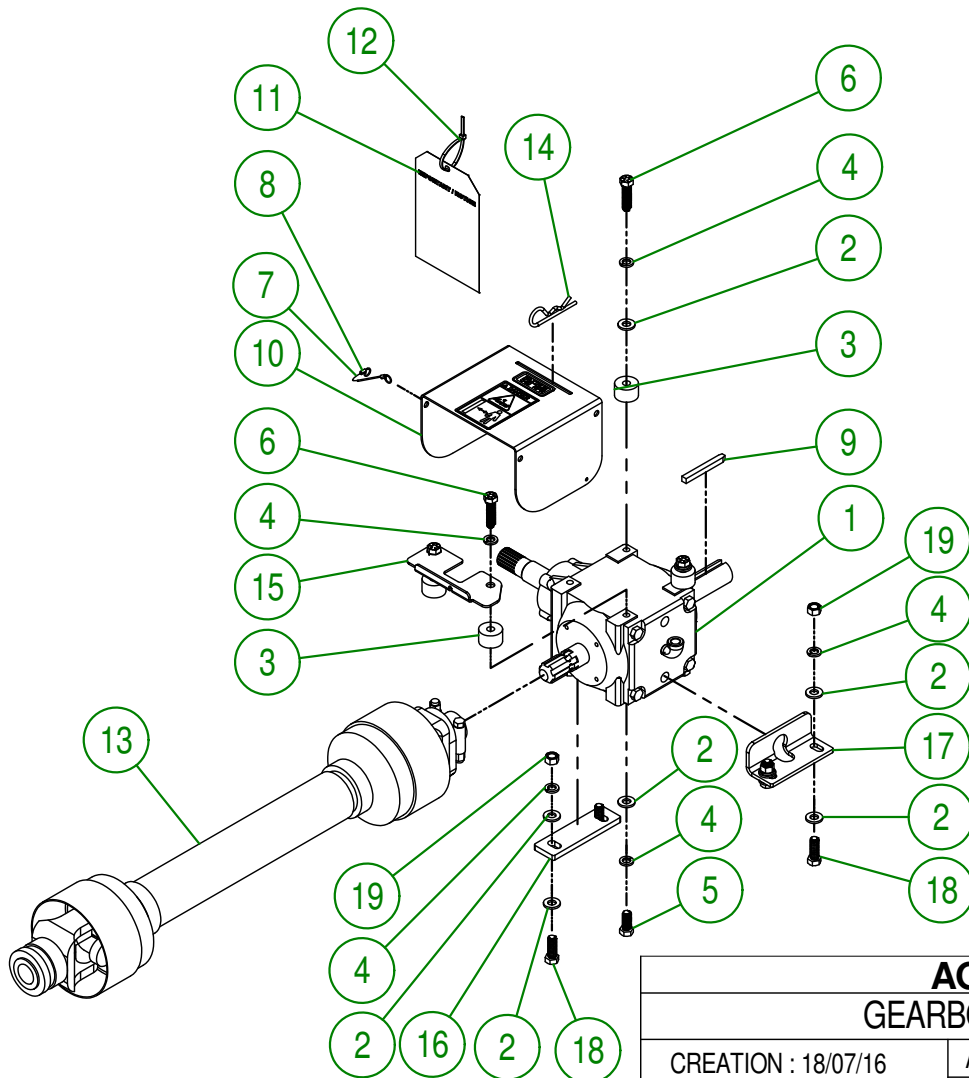


AGRIMETAL
HYDRAULIC MOTOR GROUP

CREATION : 2022-01-26
REVISION : 2022-03-28

ASSEMBLY : **80-57-0410**
AUTHOR : J. HOULE

| # | PART # | Qty | TITLE |
|----|--------------|-----|--|
| 1 | 80-55-0010 | 1 | GEARBOX |
| 2 | NC02-25-0011 | 14 | WASHER SAE ZINC 17/32 ID |
| 3 | 80-21-0010 | 4 | TRANSMISSION BUSHING |
| 4 | NC02-32-0014 | 12 | LOCK WASHER ZINC 1/2" |
| 5 | NC01-33-0248 | 4 | HEX. BOLT .GR8 NC ZINC 1/2-13 X 1 1/4" |
| 6 | NC01-33-0251 | 4 | HEX. BOLT GR8 NC ZINC 1/2-13 X 2" |
| 7 | 80-41-0135 | 1 | PTO GUARD STEEL CABLE |
| 8 | NC01-64-0005 | 2 | OVAL SLEEVE (ALUMINUM) |
| 9 | 80-41-0900 | 1 | IMPELLER KEY |
| 10 | 80-57-0040 | 1 | PTO GUARD |
| 11 | NC13-50-0110 | 1 | IMPORTANT/NOTICE PTO POSTER |
| 12 | NC13-25-0019 | 1 | BLACK TIE RAP |
| 13 | 80-34-0030 | 1 | PTO SHAFT T60 |
| 14 | NC01-63-0027 | 1 | HAIRPIN COTTER |
| 15 | 80-01-7526 | 1 | PTO GUARD SUPPORT |
| 16 | 80-04-0480 | 1 | GEARBOX BRACE |
| 17 | 80-04-0485 | 1 | GEARBOX BRACE |
| 18 | NC01-33-0249 | 4 | CAP SCREW GR8 NC ZINC 1/2-13 X 1 1/2" LG |
| 19 | NC02-07-0020 | 4 | HEX. NUT ZINC 1/2-13 |



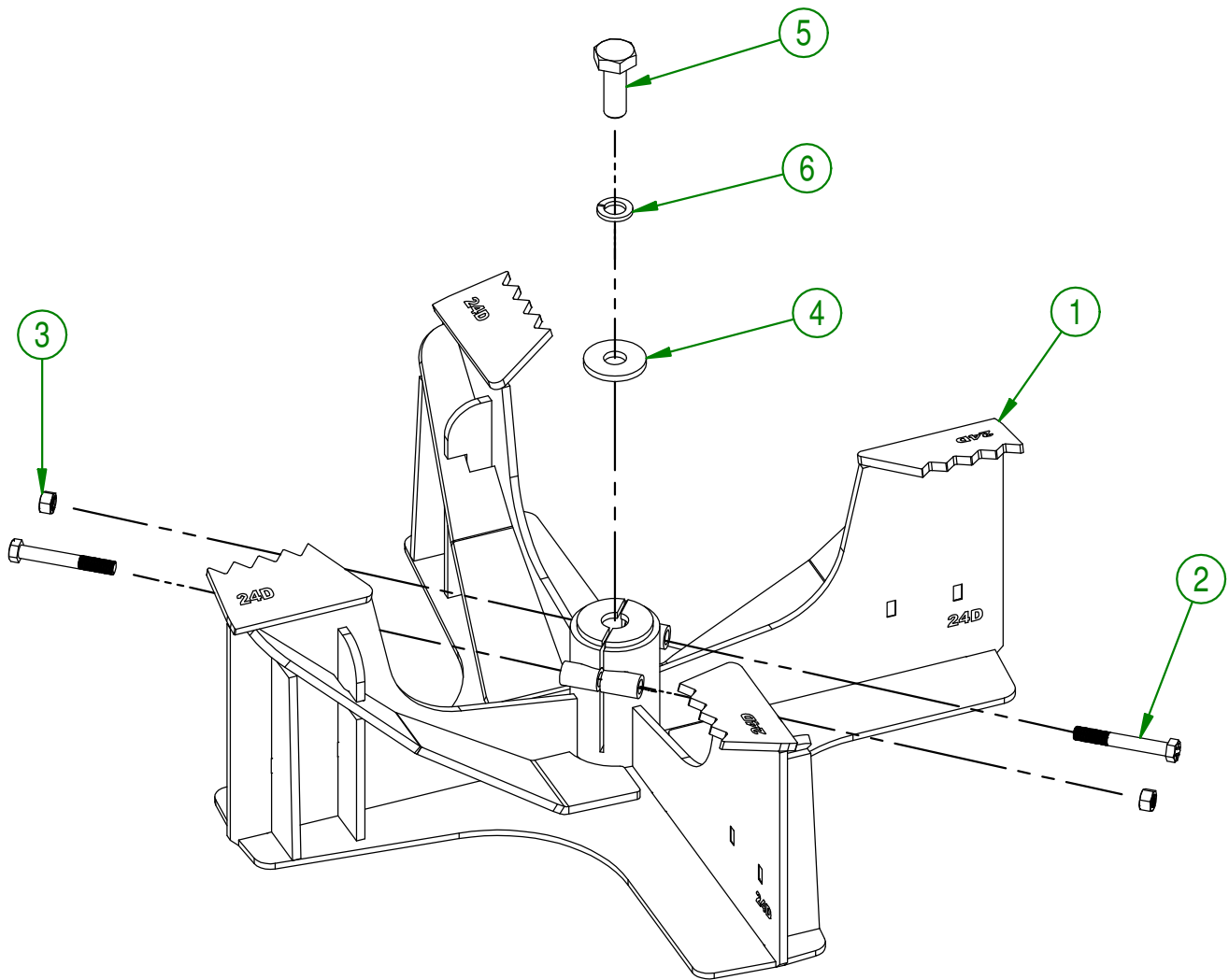
AGRIMETAL
GEARBOX GROUPING

CREATION : 18/07/16
REVISION : 11/04/19

ASSEMBLY : **80-57-0430**
AUTHOR : Dessin2 | Page 13 de 23

82-57-1926

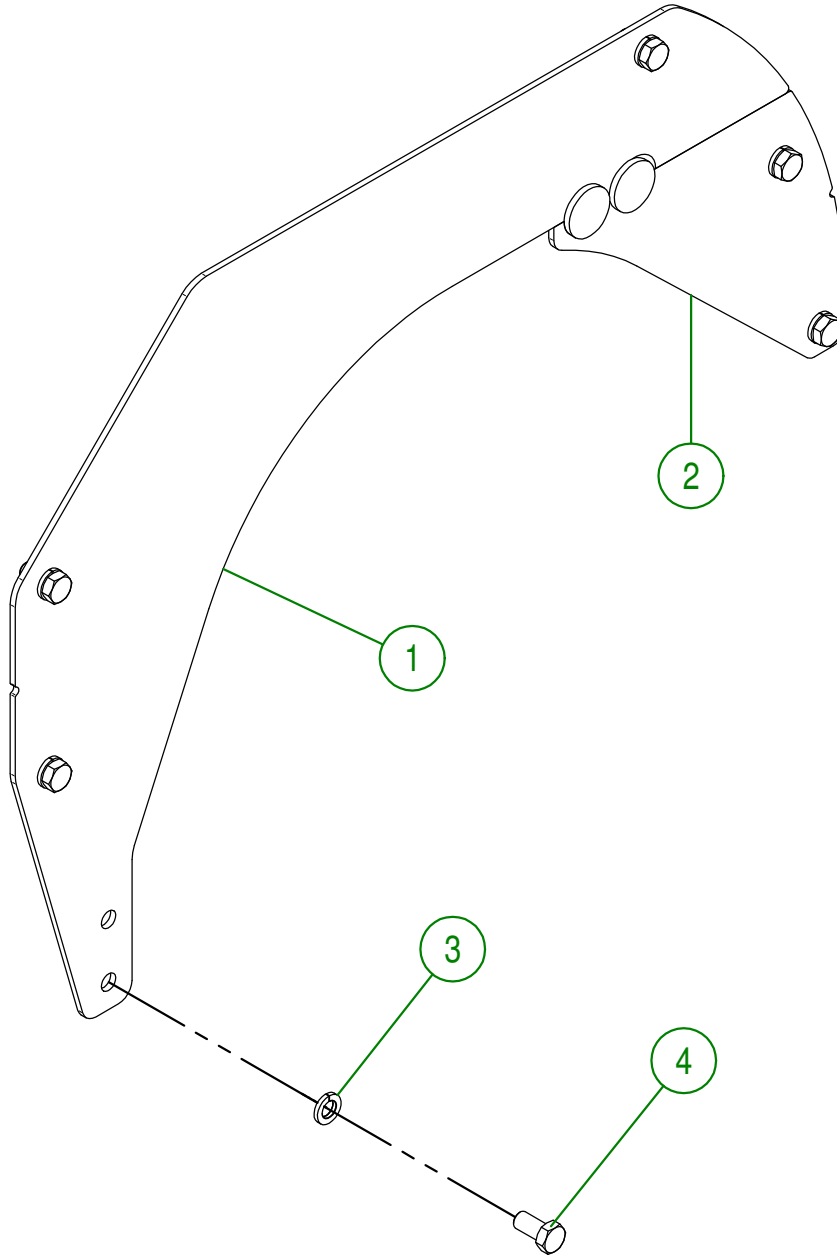
| # | PART # | Qty | TITLE |
|---|--------------|-----|---------------------------------------|
| 1 | 82-50-0051 | 1 | IMPELLER |
| 2 | NC01-37-0121 | 2 | HEX. BOLT GR8 ZINC 3/8-24 X 2 3/4" LG |
| 3 | NC01-94-0011 | 2 | LOCK NUT 3/8-24 |
| 4 | 80-04-0185 | 1 | WASHER |
| 5 | NC01-25-0395 | 1 | HEX. BOLT GR5 ZINC 5/8-11 X 1 3/4" LG |
| 6 | NC02-32-0016 | 1 | LOCK WASHER ZINC 5/8" |



| | |
|-----------------------|--------------------------------|
| AGRIMETAL | |
| IMPELLER GROUP | |
| CREATION : 16/04/18 | ASSEMBLY : 82-57-1926 |
| REVISION : 25/06/20 | AUTHOR : F.HÉLIE Page 14 de 23 |

82-57-1920

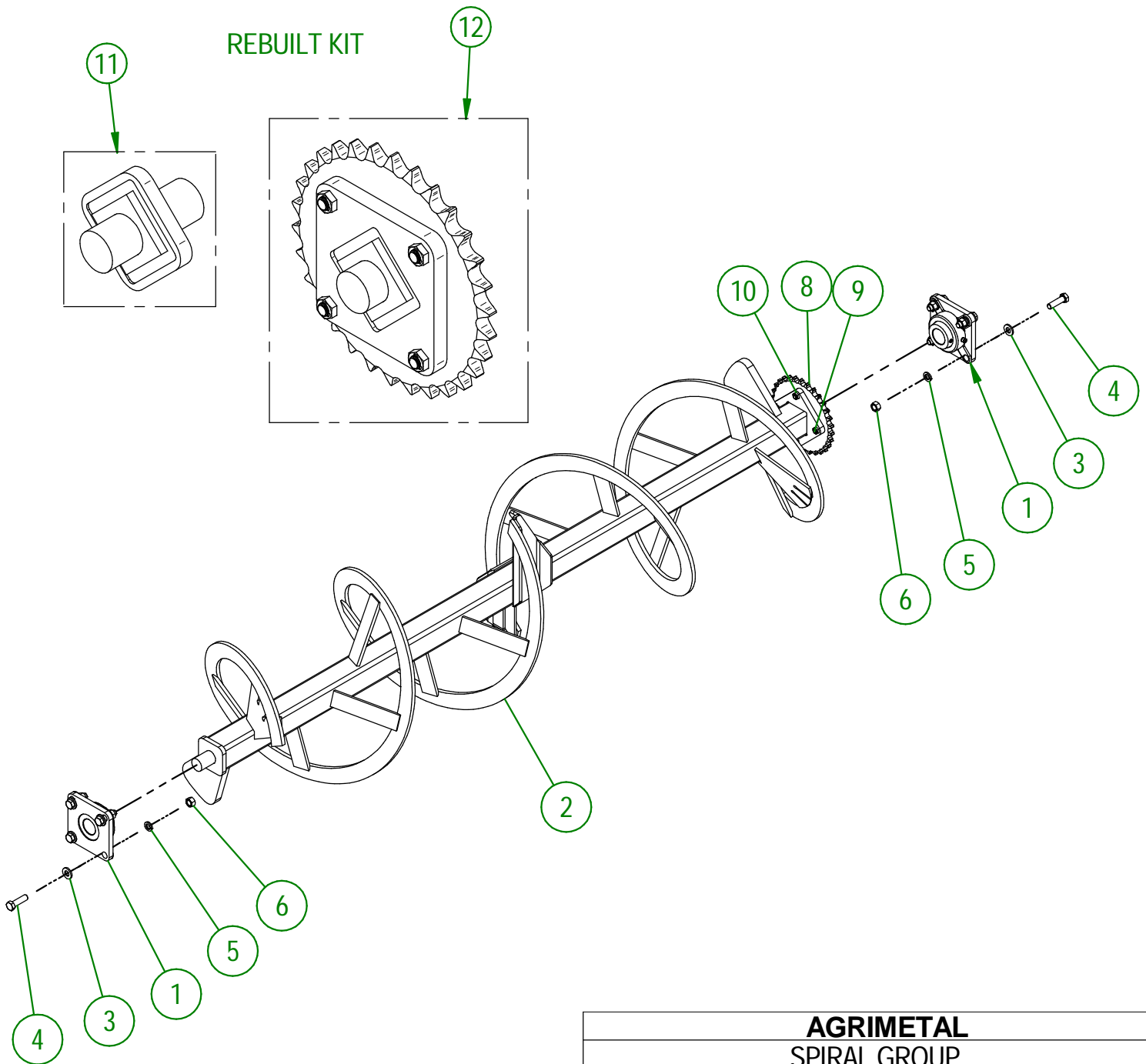
| # | PART # | Qty | TITLE |
|---|--------------|-----|-----------------------------------|
| 1 | 82-50-0110 | 1 | LEFT SNOW GUARD |
| 2 | 82-50-0113 | 1 | RIGHT SNOW GUARD |
| 3 | NC02-32-0014 | 6 | LOCK WASHER ZINC 1/2" |
| 4 | NC01-25-0247 | 6 | HEX. BOLT GR5 ZINC 1/2-13 X 1" LG |



| | |
|-------------------------|---------------------------------|
| AGRIMETAL | |
| SNOW GUARD GROUP | |
| CREATION : 20/07/16 | ASSEMBLY : 82-57-1920 |
| REVISION : 10/04/18 | AUTHOR : J. HOULE Page 15 de 23 |

| # | PART # | Qty | TITLE |
|----|--------------|-----|------------------------------------|
| 1 | NC14-75-0160 | 2 | FLANGE BEARING UCF207-20 1/4" ID |
| 2 | 82-50-1080 | 1 | SPIRAL |
| 3 | NC02-25-0011 | 8 | WASHER SAE ZINC 17/32 ID |
| 4 | NC01-17-0250 | 8 | HEX. BOLT GR2 ZINC 1/2-13 X 3/4" |
| 5 | NC02-32-0014 | 8 | LOCK WASHER ZINC 1/2" |
| 6 | NC02-07-0020 | 8 | HEX. NUT ZINC 1/2-13 |
| 8 | 80-36-0500 | 1 | 60A32H SPROCKET |
| 9 | NC01-29-0115 | 4 | HEX. BOLT GR5 ZINC 3/8-24 X 1/4" |
| 10 | NC01-94-0011 | 4 | LOCK NUT ZINC 3/8-24 |
| 11 | 82-51-0086 | 1 | SHAFT OF THE SPIRAL |
| 12 | 82-51-0091 | 1 | SHAFT OF THE SPIRAL (SPROCKET) |

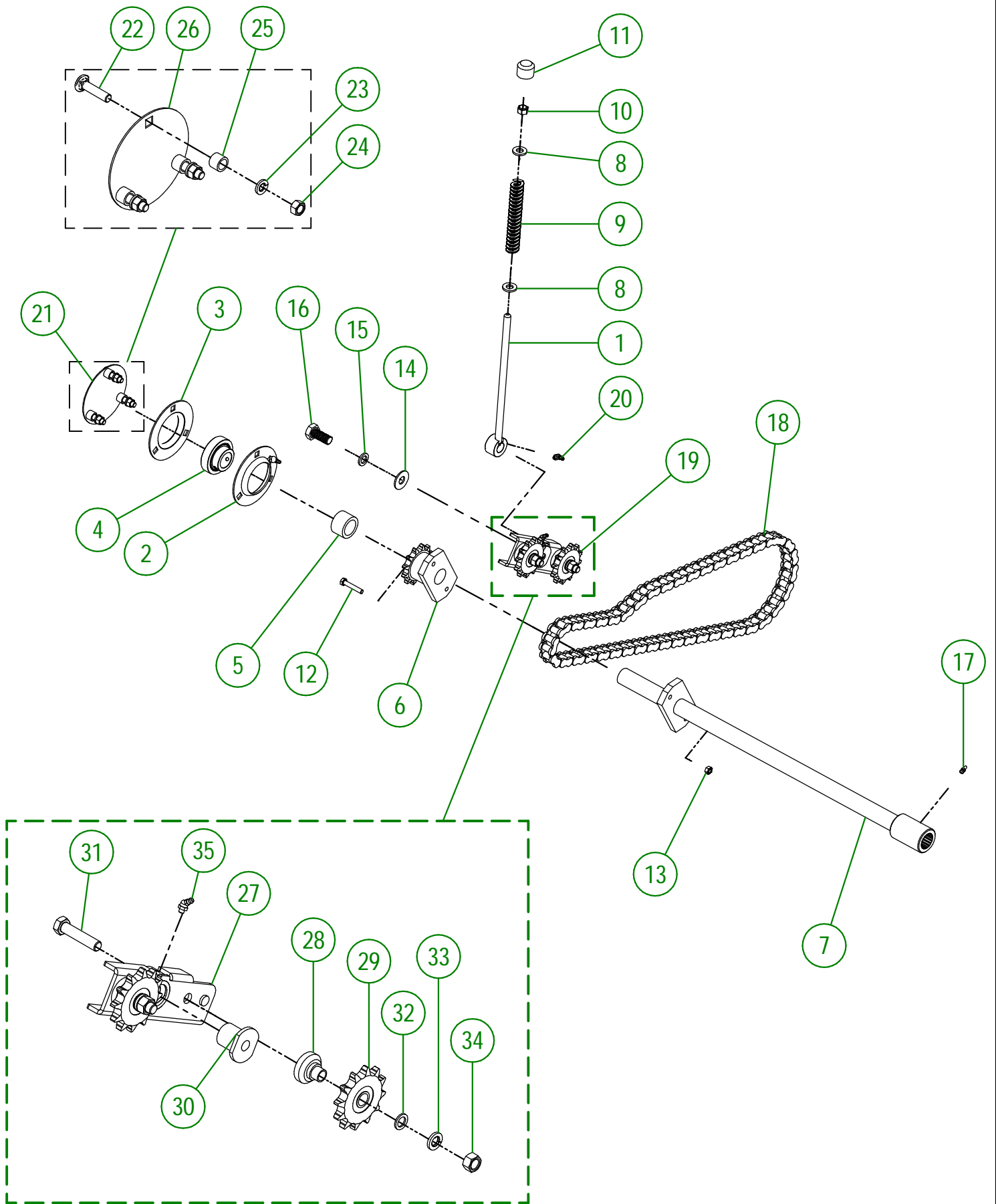
REBUILT KIT



AGRIMETAL
SPIRAL GROUP

CREATION : 20/07/16
REVISION : 05/07/23

ASSEMBLY : **82-57-2915**
AUTHOR : J. HOULE



| | |
|---------------------------------|------------------------------|
| AGRIMETAL | |
| SPIRAL DRIVE TRAIN GROUP | |
| CREATION : 20/07/16 | ASSEMBLY : 82-57-2935 |
| REVISION : 13/04/23 | AUTHOR : Dessin2 |

82-57-2935

| # | PART # | Qty | TITLE |
|----|--------------|-----|--|
| 1 | 80-50-0040 | 1 | THREADED ROD |
| 2 | 80-55-0030 | 1 | PRESSED STEEL FLANGE WITH GREASE FITTING |
| 3 | NC14-75-0093 | 1 | PRESSED STEEL FLANGE |
| 4 | NC14-75-0164 | 1 | SB207-20 BEARING |
| 5 | 80-24-0000 | 1 | SPIRAL DRIVE TRAIN BUSHING |
| 6 | NC14-55-0293 | 1 | 60BI2H SPROCKET |
| 7 | 82-50-1065 | 1 | SPIRAL DRIVE TRAIN |
| 8 | NC02-25-0011 | 2 | WASHER SAE ZINC 17/32 ID |
| 9 | NC13-86-0054 | 1 | BLUE SPRING 1/2" ID X 1" OD X 6" LG |
| 10 | NC01-96-0014 | 1 | NYLON-INSERT LOCKNUT ZINC 1/2-13 |
| 11 | 80-42-0110 | 1 | THREADED ROD CAP |
| 12 | NC01-17-0063 | 1 | CAP SCREW GR2 NC ZINC 5/16-18 X 1 3/4" |
| 13 | NC01-93-0010 | 1 | LOCK NUT ZINC 5/16-18 |
| 14 | NC02-22-0013 | 1 | WASHER ZINC 5/8 ID X 1 1/2 OD |
| 15 | NC02-32-0016 | 1 | LOCK WASHER ZINC 5/8" |
| 16 | NC01-21-0394 | 1 | HEX. BOLT GR2 ZINC 5/8-18 X 1 1/2" LG |
| 17 | NC01-69-0785 | 1 | STRAIGHT GREASE FITTING 1/4-28 |
| 18 | 82-37-1005 | 1 | #60 HD CHAIN |
| 19 | 80-55-0025 | 1 | CHAIN TENSIONER GROUP |
| 20 | NC01-69-0787 | 1 | GREASE FITTING STRAIGHT 1/4-28 X 90 |
| 21 | 82-57-2950 | 1 | BEARING GUARD GROUP. |

82-57-2950

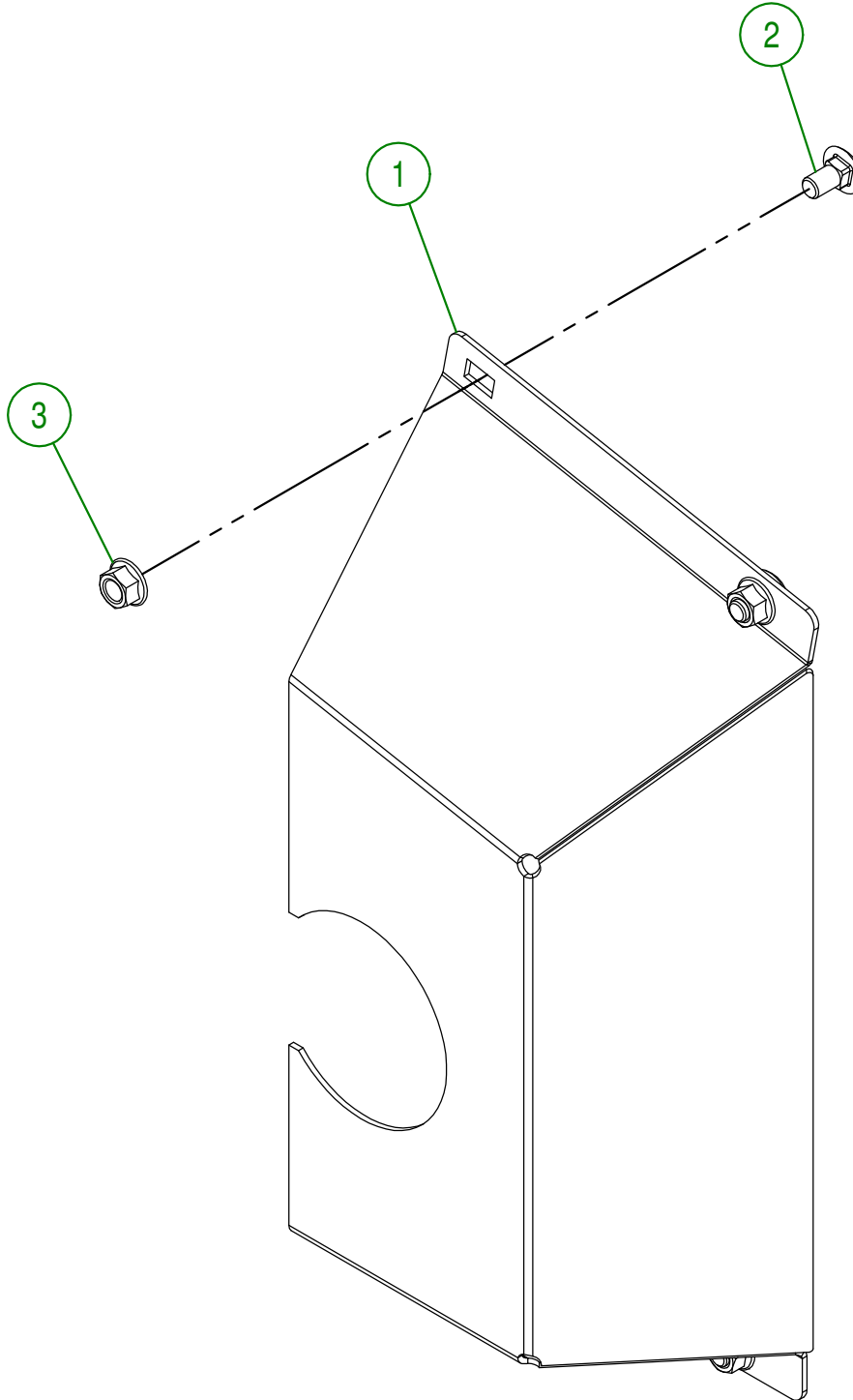
| # | PART # | Qty | TITLE |
|----|--------------|-----|-------------------------------------|
| 22 | NC01-04-0111 | 3 | CARR. BOLT GR2 ZINC 3/8-16 X 1 1/2" |
| 23 | NC02-32-0012 | 3 | LOCK WASHER ZINC 3/8" |
| 24 | NC02-07-0018 | 3 | HEX. NUT ZINC 3/8-16 |
| 25 | 82-21-0000 | 3 | BEARING BUSHING GUARD |
| 26 | 82-01-7540 | 1 | BEARING GUARD |

80-55-0025

| # | PART # | Qty | TITLE |
|----|--------------|-----|---------------------------------------|
| 27 | 80-50-0045 | 1 | CHAIN TENSIONER |
| 28 | 80-21-0020 | 2 | CHAIN TENSIONER BUSHING (SPROCKET) |
| 29 | NC14-55-0295 | 2 | SPROCKET 60A12H |
| 30 | 80-13-2400 | 1 | CHAIN TENSIONER BUSHING |
| 31 | NC01-29-0252 | 2 | HEX. BOLT GR2 ZINC 1/2-20 X 2 1/4" LG |
| 32 | NC02-26-1100 | 2 | WASHER SAE ZINC 17/32 ID X 13/16" OD |
| 33 | NC02-32-0014 | 2 | LOCK WASHER ZINC 1/2" |
| 34 | NC02-10-0020 | 2 | HEX. NUT ZINC 1/2-20 |
| 35 | NC01-69-0786 | 1 | GREASE FITTING 1/4-28 X 45 |

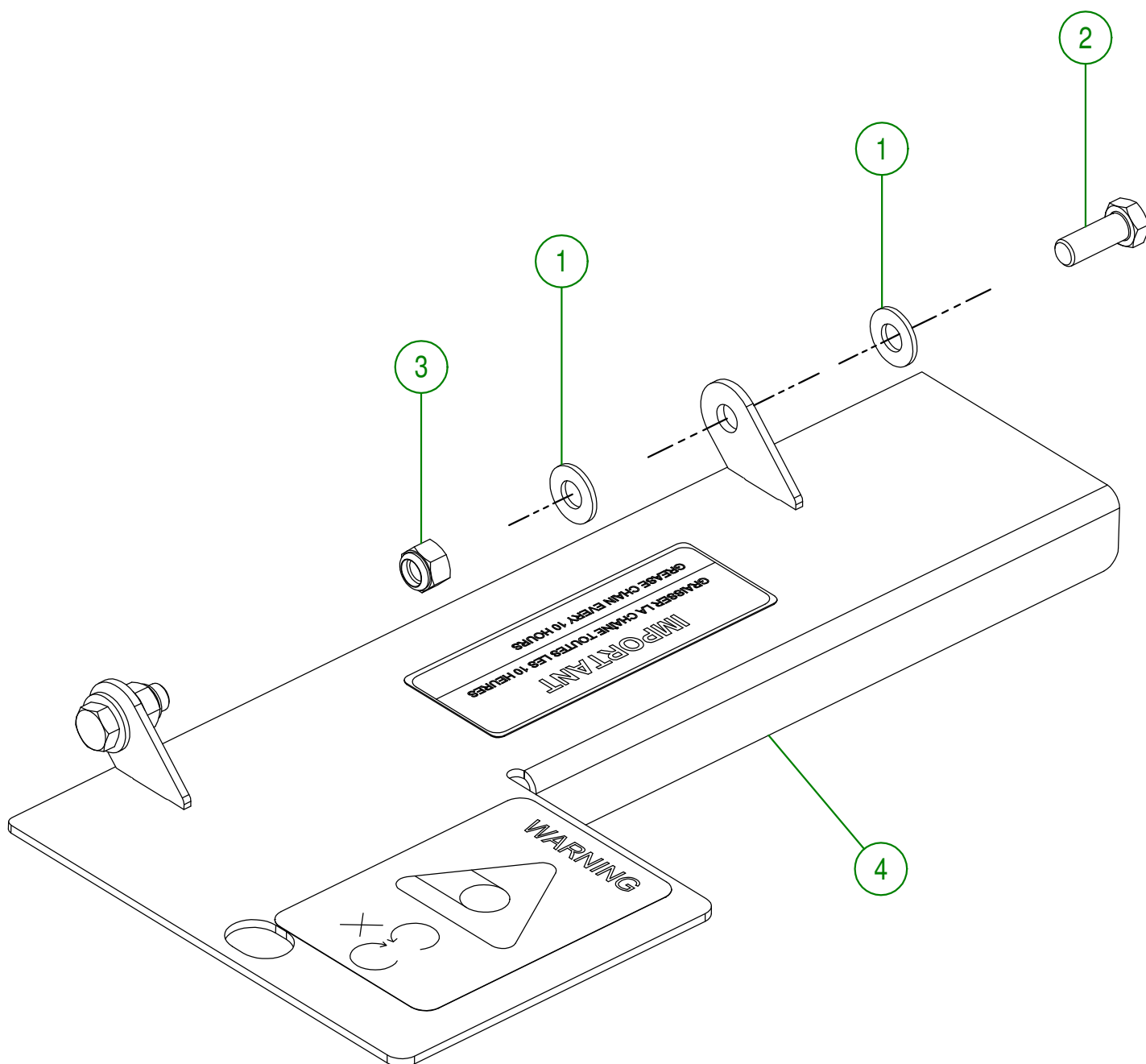
82-57-1905

| # | PART # | Qty | TITLE |
|---|--------------|-----|-----------------------------------|
| 1 | 82-50-0071 | 1 | CHAIN GUARD |
| 2 | NC01-04-0107 | 4 | CARR. BOLT GR2 ZINC 3/8-16 X 3/4" |
| 3 | NC02-14-0019 | 4 | FLANGE NUT HEX. NC 3/8-16 GR. B |



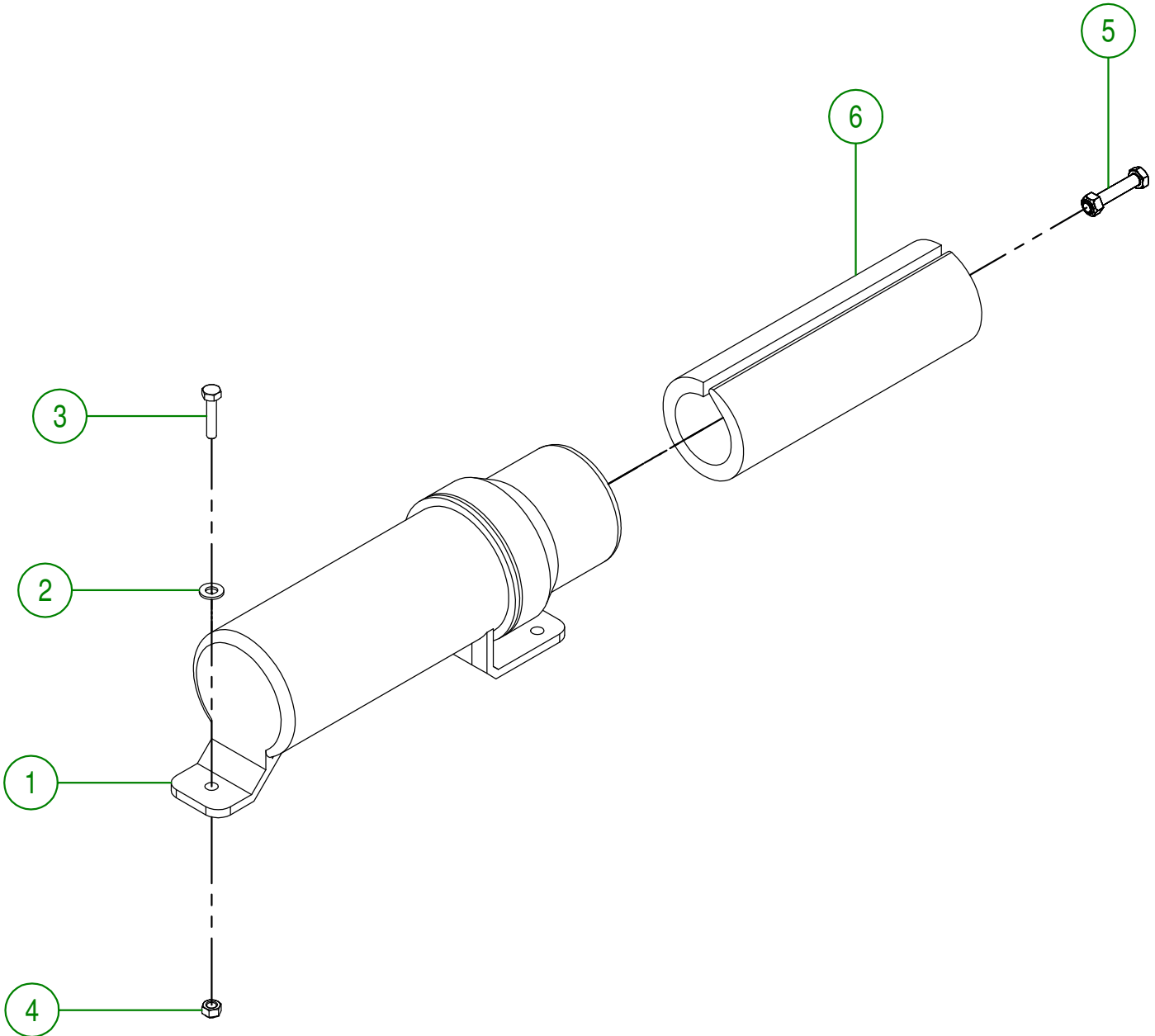
| | |
|---------------------------------|-----------------------------------|
| AGRIMETAL | |
| SPIRAL CHAIN GUARD GROUP | |
| CREATION : 20/07/16 | ASSEMBLY : 82-57-1905 |
| REVISION : 10/04/18 | AUTHOR : J. HOULE Page 19 de 23 |

| # | PART # | Qty | TITLE |
|---|--------------|-----|--|
| 1 | 01-01-2485 | 4 | FLAT WASHER 14 GA X 13/16"OD X 25/64" ID |
| 2 | NC01-17-0114 | 2 | HEX. BOLT GR2 ZINC 3/8-16 X 1" |
| 3 | NC01-96-0011 | 2 | NYLON NUT 3/8-16 |
| 4 | 82-57-0036 | 1 | CHAIN GUARD |

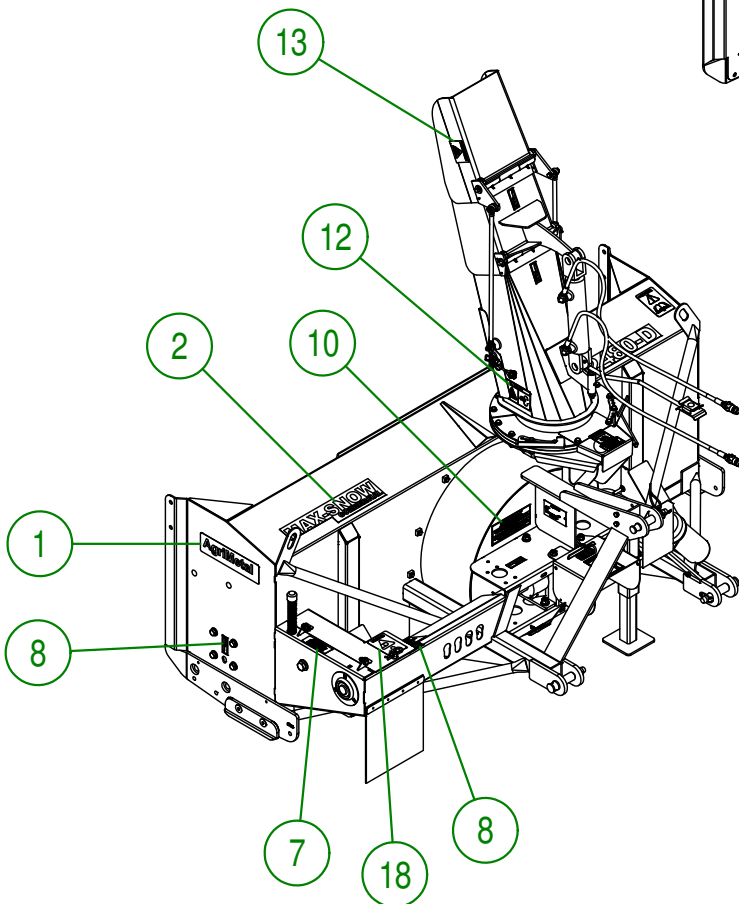
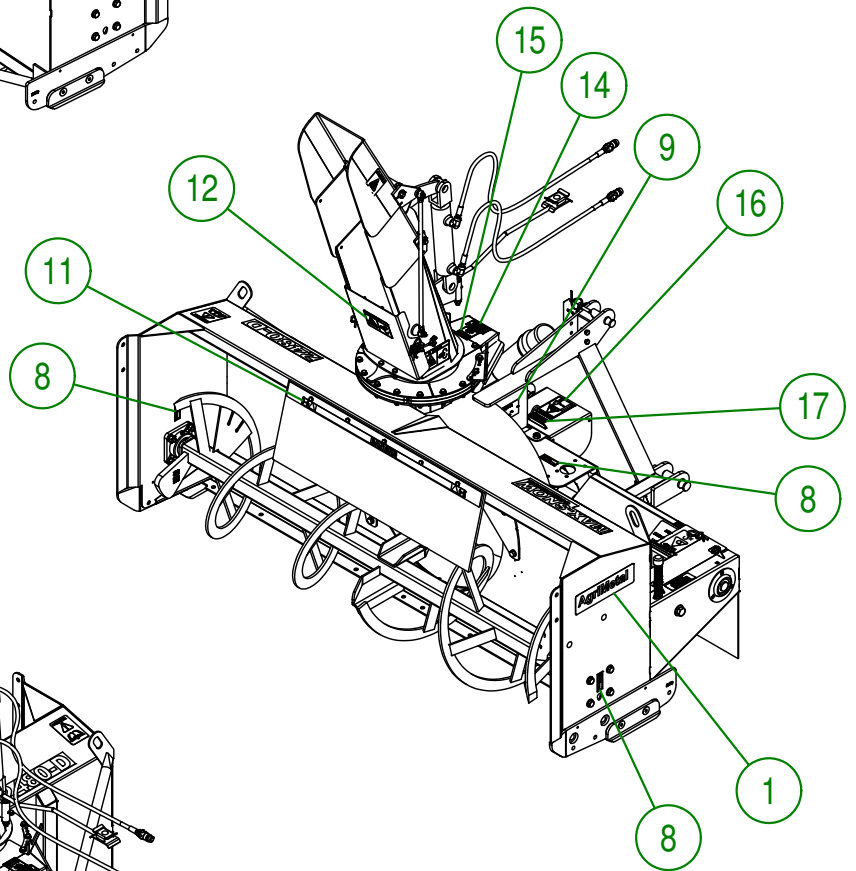
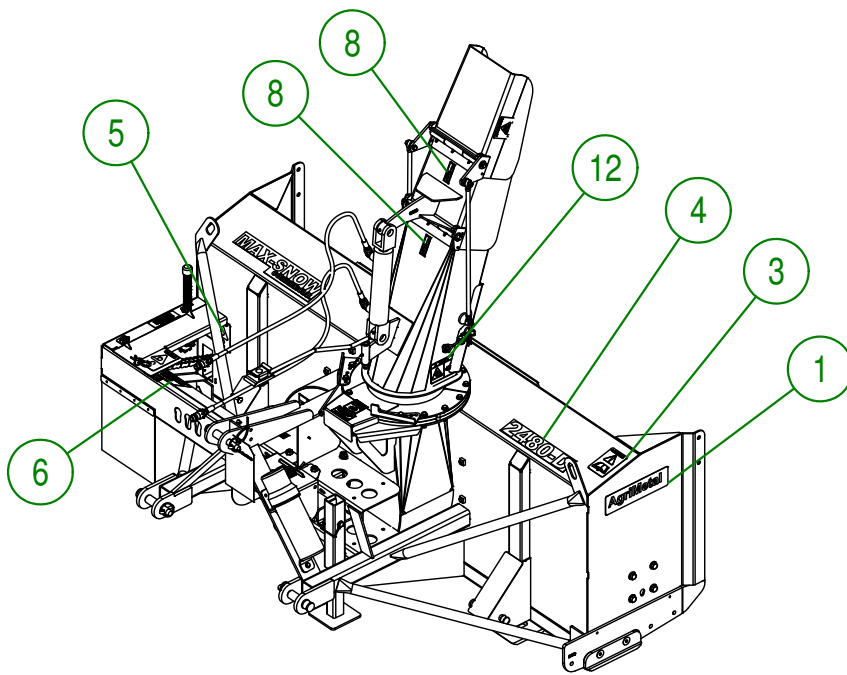


| | |
|--------------------------|-----------------------------------|
| AGRIMETAL | |
| CHAIN GUARD GROUP | |
| CREATION : 20/07/16 | ASSEMBLY : 82-57-1945 |
| REVISION : 18/11/19 | AUTHOR : J. HOULE Page 20 de 23 |

| # | PART # | Qty | TITLE |
|---|--------------|-----|--|
| 1 | NCI3-30-0237 | 1 | PLASTIC TUBE FOR OPERATOR'S MANUAL |
| 2 | NC02-22-0008 | 2 | WASHER ZINC 5/16" |
| 3 | NC01-17-0007 | 2 | HEX. BOLT GR2 ZINC 1/4-20 X 1 1/4" |
| 4 | NC01-96-0009 | 2 | NYLON-INSERT LOCKNUT ZINC 1/4-20 |
| 5 | 80-57-0030 | 1 | SET OF 6 SHEAR BOLT WITH NUT |
| 6 | 80-98-0522 | 1 | ENGLISH OPERATOR'S MANUAL (MS26, 26-D, 24-D) |



| | |
|-------------------------------------|-----------------------------------|
| AGRIMETAL | |
| OPERATOR'S MANUAL TUBE GROUP | |
| CREATION : 18/07/16 | ASSEMBLY : 80-57-0400 |
| REVISION : 08/05/18 | AUTHOR : J. HOULE Page 21 de 23 |



AGRIMETAL

MS2480-D

CREATION : 20/07/16
REVISION : 16/04/19

ASSEMBLY : **82-99-2500**

AUTHOR : Dessin2 Page 22 de 23

| # | PART # | QT | TITLE |
|----|--------------|----|--|
| 1 | NC13-33-0035 | 2 | STICKER AGRIMETAL |
| 2 | NC13-33-0241 | 1 | STICKER MAX-SNOW COMMERCIAL |
| 3 | NC13-33-0183 | 1 | STICKER CAUTION OPERATION MANUAL |
| 4 | NC13-33-0273 | 1 | STICKER 2480-D |
| 5 | NC13-33-0189 | 1 | STICKER DANGER (PERSON AND CHAIN DRIVE) |
| 6 | NC13-33-0280 | 1 | STICKER SHEAR BOLT |
| 7 | NC13-33-0104 | 1 | STICKER IMPORTANT 4 INCHES 100 MM |
| 8 | NC13-33-0024 | 6 | STICKER GREASE HERE |
| 9 | NC13-50-0086 | 1 | SERIAL NUMBER PLATE |
| 10 | NC13-33-0317 | 1 | STICKER GREASE DRIVE LINE TELESCOPIC SHAFT |
| 11 | NC13-33-0274 | 1 | STICKER DANGER |
| 12 | NC13-33-0249 | 3 | STICKER DANGER |
| 13 | NC13-33-0192 | 2 | STICKER (PROJECTION RISK) |
| 14 | NC13-33-0327 | 1 | STICKER END ROTATION ADJUSTMENT |
| 15 | NC13-33-0326 | 1 | STICKER DANGER (HAND) |
| 16 | NC13-33-0187 | 1 | STICKER DANGER (PTO AND PERSON) |
| 17 | NC13-33-0005 | 1 | STICKER MAXIMUM 540 RPM |
| 18 | NC13-33-0283 | 1 | STICKER DANGER (PERSON AND CHAIN DRIVE) |