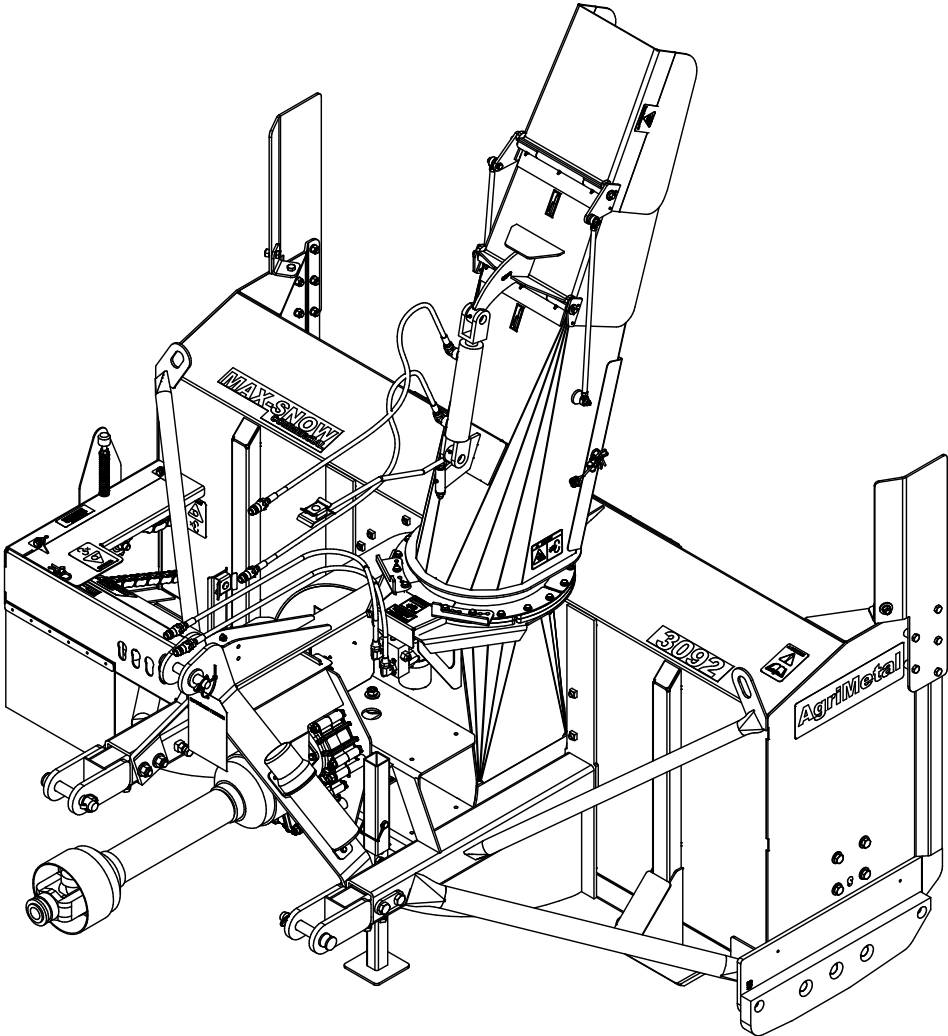


AgriMetal

PARTS LIST



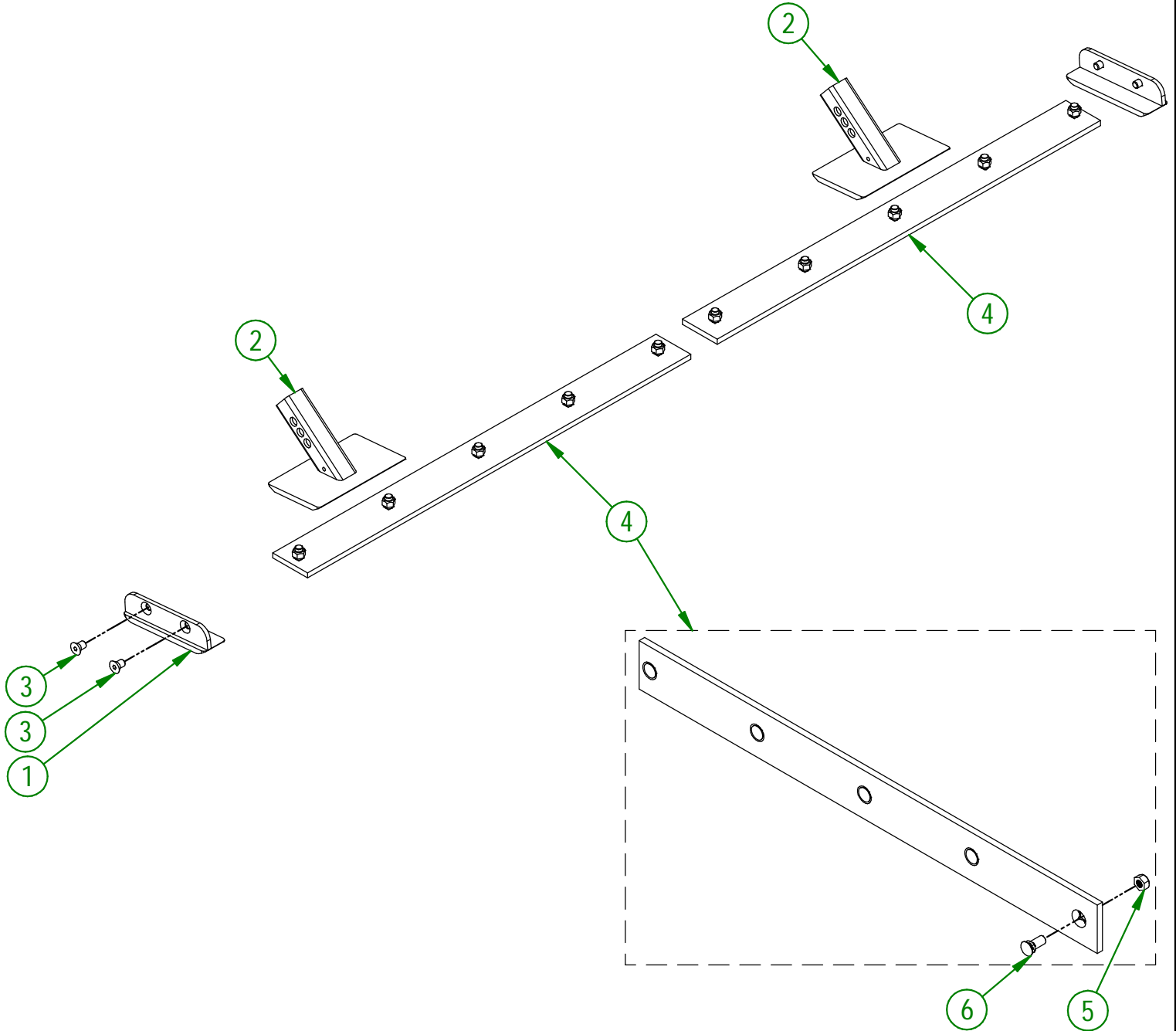
MS 3092

81-57-0700

#	PART #	Qty	TITLE
1	80-50-0085	2	LATERAL SKATE (#450 HARDNESS STEEL)
2	81-50-0055	2	ADJUSTABLE SKATE (#450 HARDNESS STEEL)
3	NC02-48-0586	4	FLAT HEAD SOCKET CAP SCREW 5/8-11 X 1" LG
4	81-57-0230	2	KNIFE (#450 HARDNESS STEEL) GROUP (BOLTS AND NUTS INCLUDED)

81-57-0230

#	PART #	Qty	TITLE
5	NC01-93-0016	5	LOCK NUT ZINC 5/8-11
6	NC01-09-0039	5	PLOW BOLT GR5 5/8-11 X 1 1/2" LG



AGRIMETAL

SET OF KNIVES (#450 HARDNESS STEEL)

CREATION : 19/07/16
 REVISION : 26/09/23

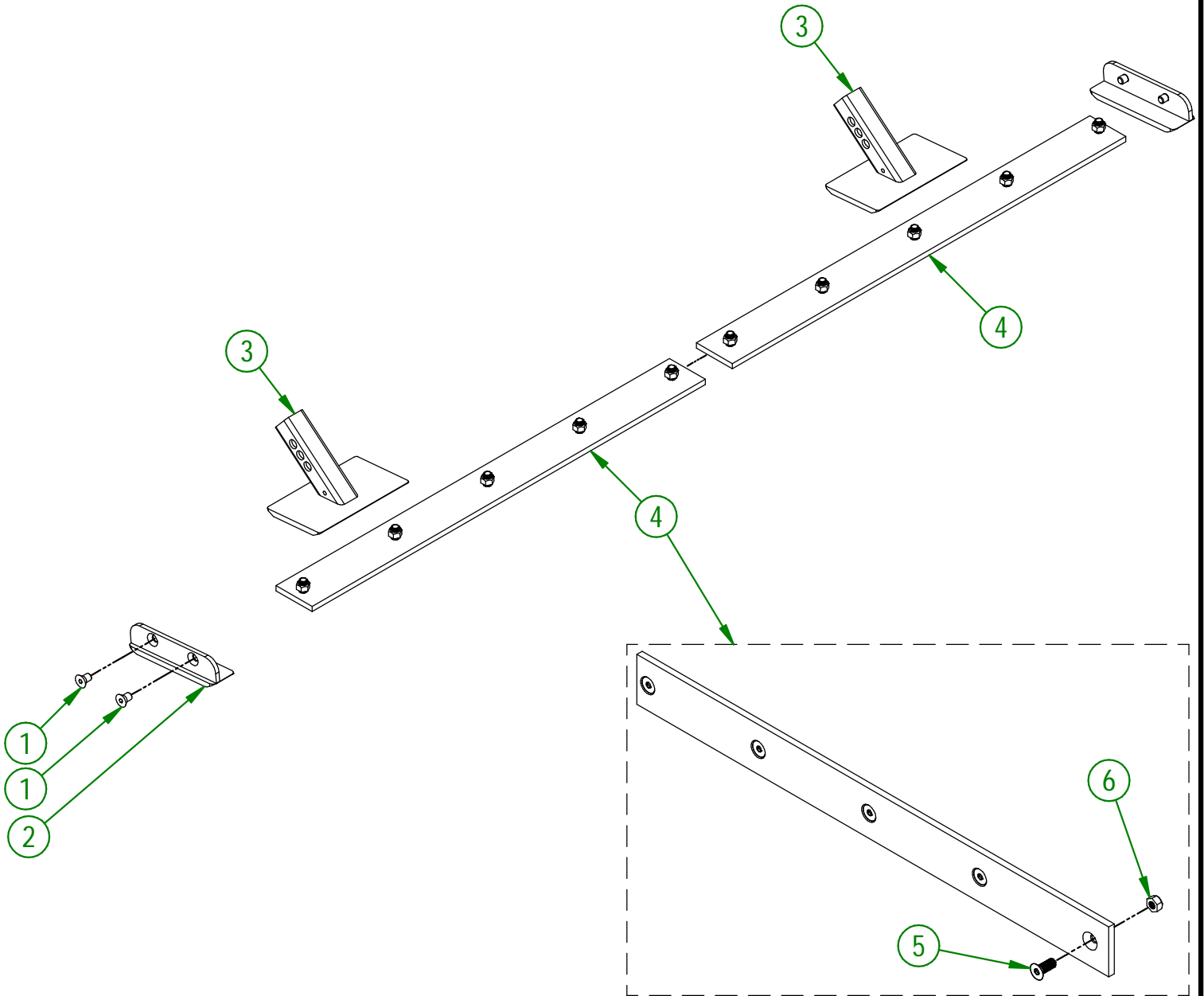
ASSEMBLY : **81-57-0700**
 AUTHOR : Dessin2

81-57-0710

#	PART #	Qty	TITLE
1	NC02-48-0586	4	FLAT HEAD SOCKET CAP SCREW 5/8-11 X 1" LG
2	80-50-0087	2	LATERAL SKATE (STAINLESS STEEL)
3	81-50-0058	2	ADJUSTABLE SKATE (STAINLESS STEEL)
4	81-57-0235	2	KNIFE (STAINLESS STEEL) GROUP (BOLTS AND NUTS INCLUDED)

81-57-0235

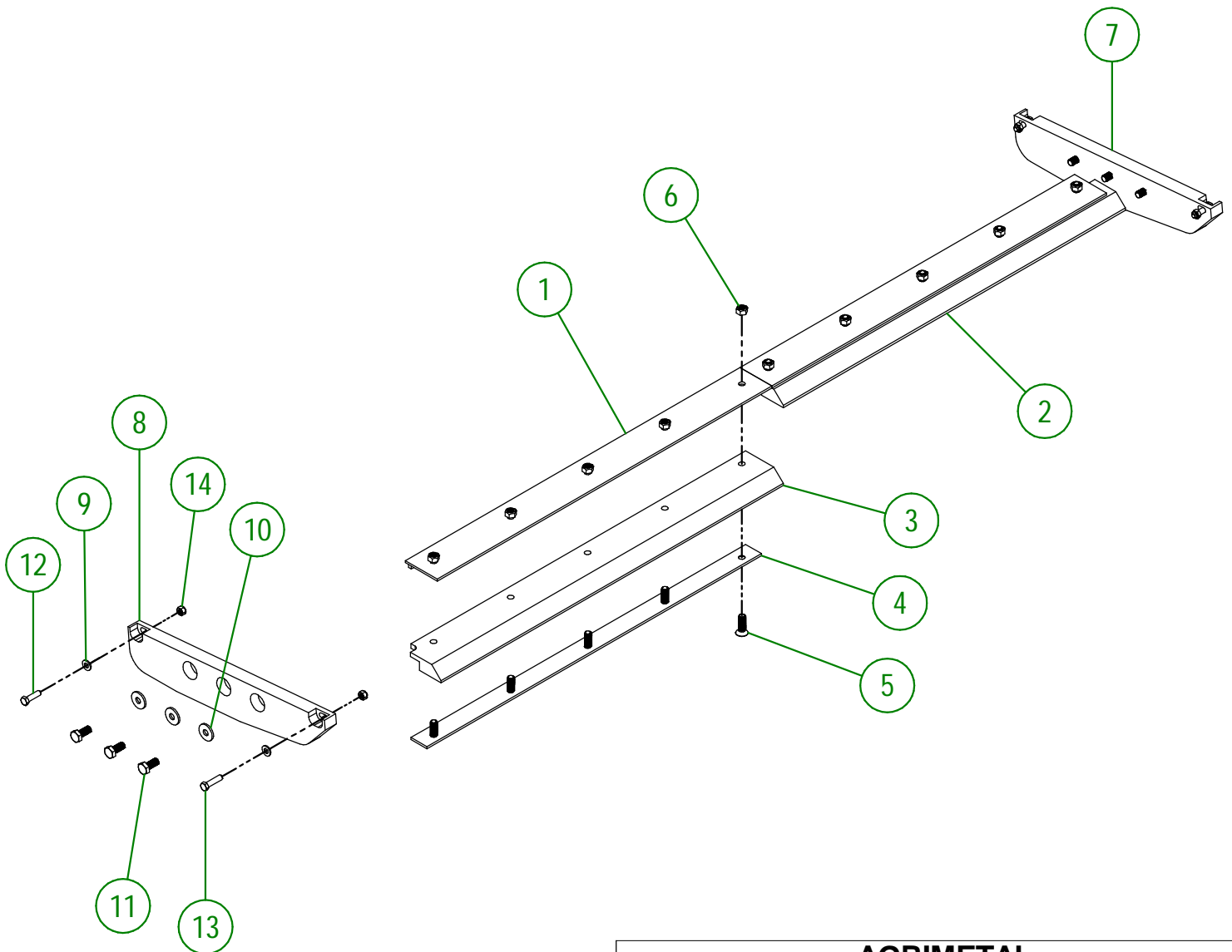
#	PART #	Qty	TITLE
5	NC02-48-0562	5	FLAT HEAD SOCKET CAP SCREW STAINLESS 5/8-11 X 1 1/2"
6	NC01-93-0016	5	LOCK NUT ZINC 5/8-11



AGRIMETAL	
SET OF KNIVES (STAINLESS STEEL)	
CREATION : 19/07/16	ASSEMBLY : 81-57-0710
REVISION : 26/09/23	AUTHOR : Dessin2

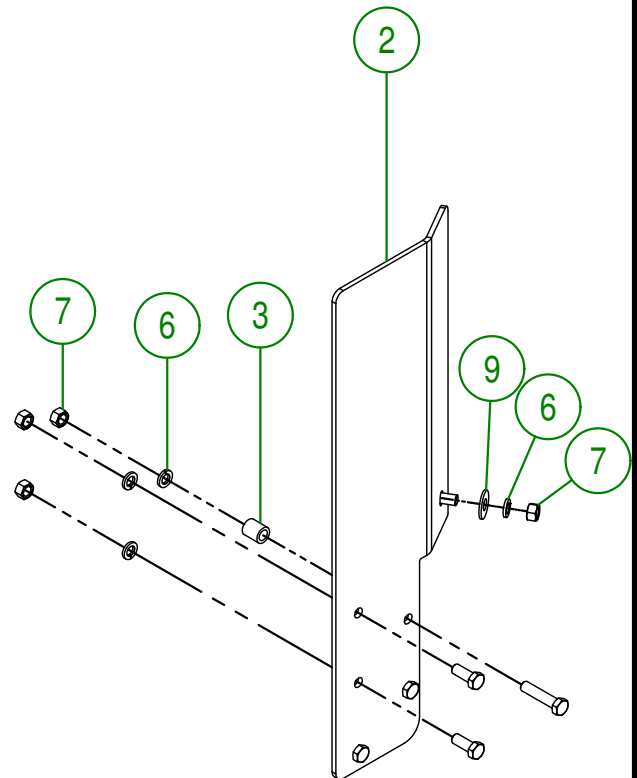
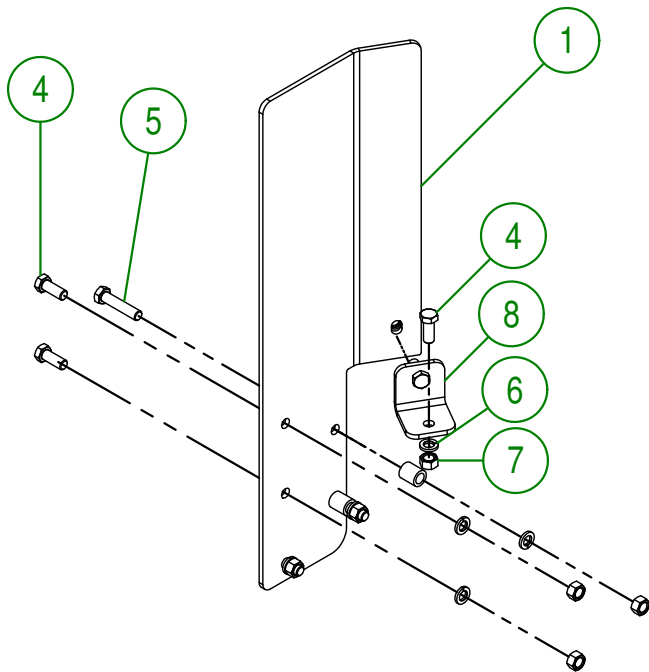
81-57-0705

#	PART #	Qty	TITLE
1	81-50-0700	2	KNIFE BRACE (TOP)
2	81-42-0105	1	RIGHT KNIFE (UHMW)
3	81-42-0106	1	LEFT KNIFE (UHMW)
4	81-04-0350	2	KNIFE BRACE (UNDER)
5	NC02-48-0564	10	FLAT HEAD SOCKET CAP SCREW STAINLESS 5/8-11 X 2" LG
6	NC01-93-0016	10	LOCK NUT ZINC 5/8-11
7	81-42-0103	1	LATERAL KNIFE (RIGHT)
8	81-42-0104	1	LATERAL KNIFE (LEFT)
9	NC02-25-0011	4	WASHER SAE ZINC 17/32 ID
10	80-04-0185	6	WASHER
11	NC01-17-0394	6	HEX. BOLT GR2 ZINC 5/8-11 X 1 1/2"
12	NC01-17-0250	2	HEX. BOLT GR2 ZINC 1/2-13 X 1 3/4"
13	NC01-17-0251	2	HEX. BOLT GR2 ZINC 1/2-13 X 2"
14	NC01-93-0014	4	LOCK NUT ZINC 1/2-13



AGRIMETAL	
SET OF KNIVES (UHMW)	
CREATION : 19/07/16	ASSEMBLY : 81-57-0705
REVISION : 27/09/23	AUTHOR : J. HOULE

#	PART #	Qty	TITLE
1	81-20-0337	1	LATERAL CUTTER BLADES (LEFT)
2	81-20-0335	1	LATERAL CUTTER BLADES (RIGHT)
3	81-10-0000	4	LATERAL CUTTER BLADES BUSHING
4	NC01-25-0248	10	HEX. BOLT GR5 ZINC 1/2-13 X 1 1/4"
5	NC01-25-0252	4	HEX. BOLT GR5 ZINC 1/2-13 X 2 1/4"
6	NC02-32-0014	14	LOCK WASHER ZINC 1/2"
7	NC02-07-0020	14	HEX. NUT ZINC 1/2-13
8	81-04-0525	2	LATERAL KNIFE REINFORCE
9	NC02-22-0012	2	WASHER ZINC 1/2 BOLT = 9/16"Ø X 1 3/8" OD

**AGRIMETAL****LATERAL CUTTER BLADES**

CREATION : 24/11/17
 REVISION : 01/02/19

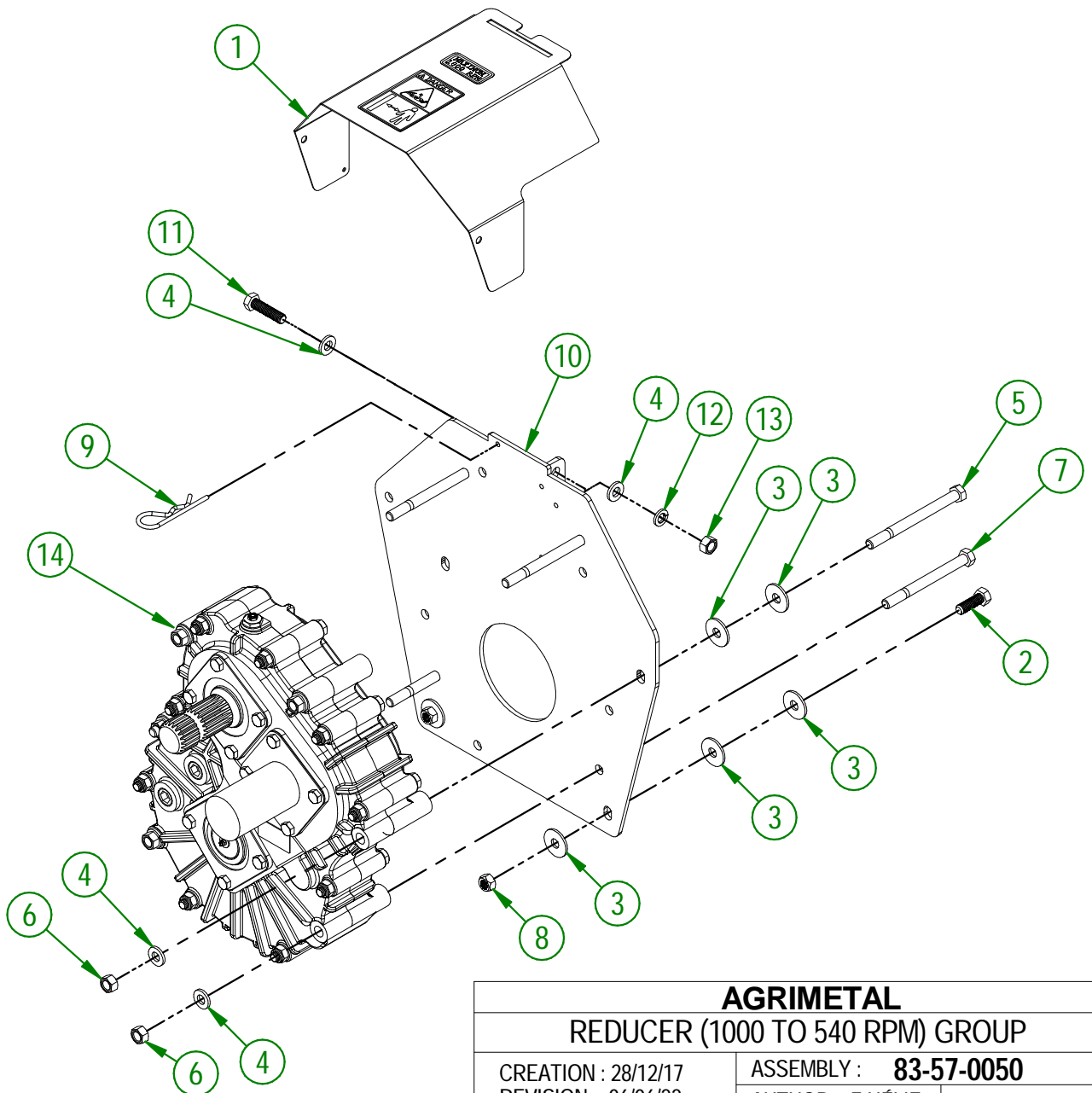
ASSEMBLY : **81-57-0215**

AUTHOR : J. Houle

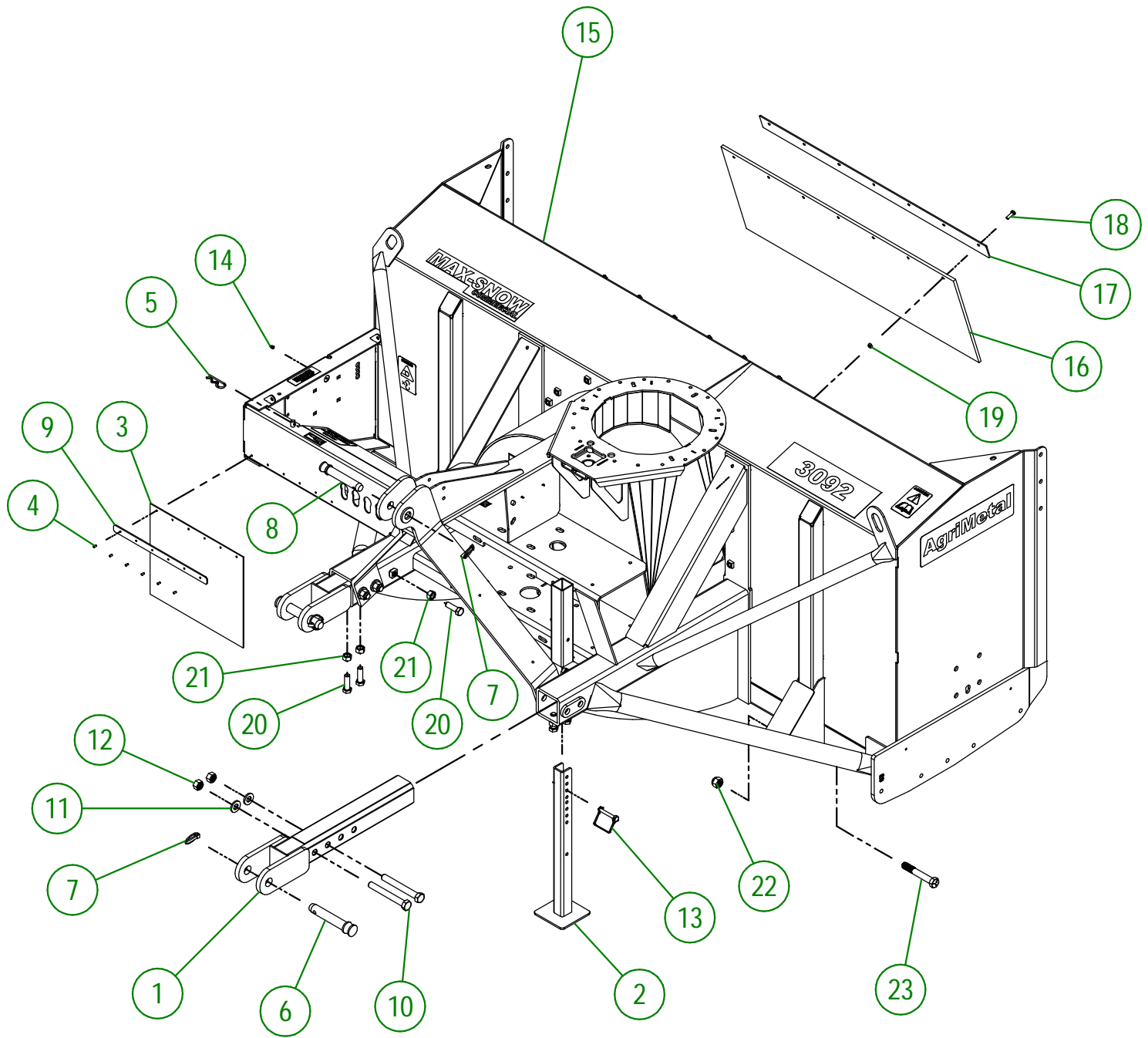
Page 4 de 21

83-57-0050

#	PART #	Qty	TITLE
1	83-57-0055	1	
2	NC01-33-0249	2	CAP SCREW GR8 NC ZINC 1/2-13 X 1 1/2" LG
3	01-01-1660	10	WASHER SPACER
4	01-01-0925	10	WASHER
5	NC01-37-0267	2	HEX. BOLT GR8 ZINC 1/2-20 X 6" LG
6	NC01-94-0013	6	NYLON NUT ZINC 1/2-20"
7	NC01-37-0265	4	HEX. BOLT GR8 ZINC 1/2-20 X 5 1/2" LG
8	NC01-93-0014	2	LOCK NUT ZINC 1/2-13
9	NC01-63-0027	1	HAIRPIN COTTER
10	83-50-0125	1	GEARBOX REDUCER SUPPORT
11	NC01-25-0251	2	HEX.BOLT GR5 NC ZINC 1/2-13 X 2"
12	NC02-32-0014	2	LOCK WASHER ZINC 1/2"
13	NC02-07-0020	2	HEX. NUT ZINC 1/2-13
14	83-55-0100	1	SPEED REDUCER 1000 TO 540 RPM



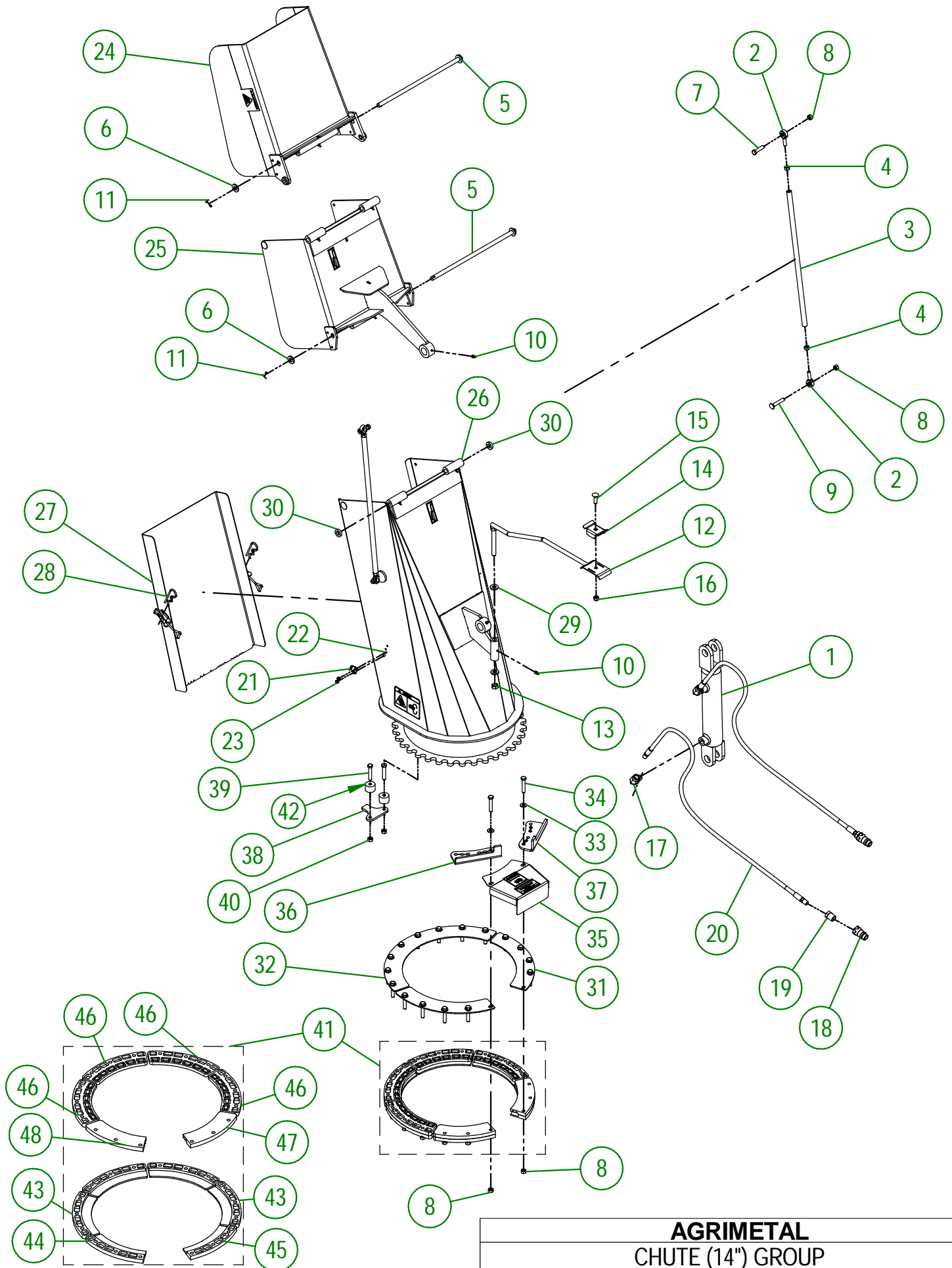
AGRIMETAL	
REDUCER (1000 TO 540 RPM) GROUP	
CREATION : 28/12/17	ASSEMBLY : 83-57-0050
REVISION : 06/06/22	AUTHOR : F.HÉLIE



AGRIMETAL	
FRAME GROUP	
CREATION : 20/07/16	ASSEMBLY : 83-57-0940
REVISION : 22/09/22	AUTHOR : Dessin2

83-57-0940

#	PART #	Qty	TITLE
1	81-50-0100	2	3 POINT HITCH
2	81-50-0090	1	STAND
3	NC13-15-0300	1	SNOW GUARD
4	NC01-78-0016	6	ALUMINIUM BLIND POP RIVET STEEL MANDREL 0.187 X 0.690
5	NC01-63-0026	1	COTTER PIN ZC 5/32" X 3"
6	48-20-0065	2	3 POINT PIN
7	NC01-69-1100	3	LINCH PIN 3/8"
8	48-20-0060	1	3 POINT PIN
9	80-01-1075	1	SNOW GUARD BRACE
10	NC01-33-0482	4	HEX. BOLT GR8 ZINC 3/4-10 X 6"
11	22-04-6805	4	FLAT WASHER BEARING BASE
12	NC01-93-0017	4	HEX. LOCKNUT STEEL NC Z 3/4-10
13	NC01-69-1306	1	LOCKING PIN 3/8" X 2 1/2" LG
14	NC01-69-0785	1	STRAIGHT GREASE FITTING 1/4-28
15	83-57-0500	1	FRAME
16	NC13-15-0322	1	RUBBER
17	81-57-0250	1	RUBBER REINFORCEMENT
18	NC01-17-0060	7	HEX. BOLT GR2 ZINC 5/16-18 X 1"
19	NC01-93-0010	7	LOCK NUT ZINC 5/16-18
20	NC01-17-0396	6	HEX. BOLT GR2 ZINC 5/8-11 X 2"
21	NC02-07-0022	6	HEX. NUT ZINC 5/8-11
22	NC01-96-0017	2	HEX. LOCK NUT NYLO. NC 3/4-10
23	NC01-25-0481	2	HEX. BOLT GR5 NC 3/4-10 X 5"



AGRIMETAL
CHUTE (14'') GROUP

CREATION : 12/04/19
 REVISION : 06/06/22

ASSEMBLY : **81-57-0331**
 AUTHOR : Dessin2

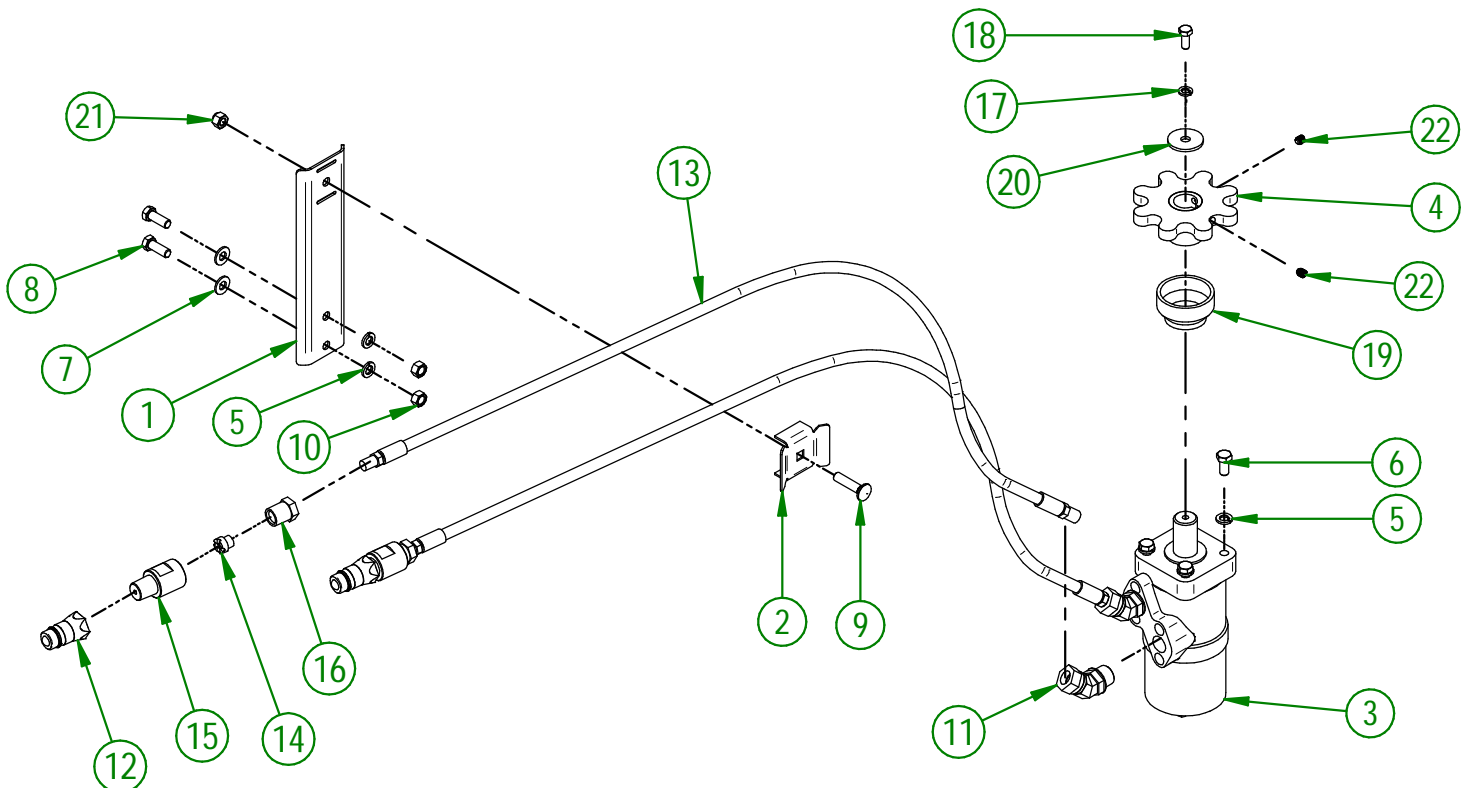
81-57-0331

#	PART #	Qty	TITLE
1	NC13-45-0209	1	HYDRAULIC CYLINDER 6"
2	NC01-67-0304	4	ROD END 3/8-24
3	48-13-0600	2	CHUTE ROD (DOUBLE)
4	NC02-10-0018	4	NUT 3/8-24
5	81-20-0250	2	PIVOT
6	NC02-25-0011	4	WASHER SAE ZINC 17/32 ID
7	NC01-25-0116	2	HEX. BOLT GR5 ZINC 3/8-16 X 1 1/2"
8	NC01-93-0011	22	LOCK NUT 3/8-16
9	NC01-07-0113	2	CARR. BOLT GR5 ZINC 3/8-16 X 2" LG
10	NC01-69-0785	9	STRAIGHT GREASE FITTING 1/4-28
11	NC01-69-0139	4	COTTER PIN ZINC 1/8" X 3/4"
12	48-50-1030	1	HYDRAULIC HOSE SUPPORT
13	NC01-96-0014	1	NYLON-INSERT LOCKNUT ZINC 1/2-13
14	48-01-7530	1	HYDRAULIC HOSE SUPPORT
15	NC01-04-0110	1	CARR. BOLT GR2 ZINC 3/8-16 X 1 1/4"
16	NC01-96-0011	1	NYLON NUT 3/8-16
17	NC13-45-0038	2	ELBOW 90 3/8 FEM. NPT X 3/8 MALE NPT
18	NC13-45-0369	2	QUICK COUPLER 1/2-14 NPTF
19	NC13-45-0153	2	HEX. REDUCER 1/4 NPT X 1/2 NPT
20	NC17-02-0347	2	HYDRAULIC HOSE (111" LG)
21	NC01-63-0052	2	ADJUSTABLE LATCH (STRIKE)
22	NC02-40-0080	4	MACHINE SCREWS SQUARE SOCKET #10-24 X 1/2" LG
23	NC01-96-0006	4	NYLON NUT ZINC 3/16
24	81-57-0321	1	CHUTE (TOP SECTION)
25	81-57-0311	1	CHUTE (MIDDLE SECTION)
26	81-57-0302	1	CHUTE (BOTTOM SECTION)
27	81-57-0353	1	CHUTE DOOR
28	NC01-63-0026	2	COTTER PIN ZC 5/32" X 3"
29	01-01-0925	2	WASHER
30	NC13-15-0334	2	PIVOT WASHER
31	48-01-1165	2	BRACE
32	48-01-1167	1	BRACE
33	01-01-2485	18	FLAT WASHER 14 GA X 13/16"OD X 25/64" ID
34	NC01-17-0118	18	HEX. BOLT GR2 ZINC 3/8-16 X 2"
35	80-57-0550	1	SPROCKET GUARD GROUP "STICKER INCLUDED"
36	81-04-0175	1	ADJUSTABLE STOPPER
37	81-04-0177	1	ADJUSTABLE STOPPER
38	84-04-0170	1	STOPPER
39	NC01-37-0118	2	HEX. BOLT GR8 ZINC 3/8-24 X 2"
40	NC01-94-0011	2	LOCK NUT 3/8-24
41	81-57-0550	1	CHUTE GUIDE GROUP
42	81-21-0040	2	ADJUSTABLE STOPPER SPACER

81-57-0550

#	PART #	Qty	TITLE
43	NC17-46-0025	4	CHUTE GUIDE (UNDER)
44	48-42-0305	1	CHUTE GUIDE (UNDER)
45	48-42-0310	1	CHUTE GUIDE (UNDER)
46	NC17-46-0026	4	CHUTE GUIDE (TOP)
47	48-42-0320	1	CHUTE GUIDE (TOP)
48	48-42-0315	1	CHUTE GUIDE (TOP)

#	PART #	Qty	TITLE
1	81-01-7600	1	HYDRAULIC HOSE SUPPORT
2	80-01-0020	1	HYDRAULIC HOSE SUPPORT
3	NC14-45-0156	1	HYDRAULIC MOTOR
4	48-50-1025	1	HYDRAULIC ENGINE SPROCKET
5	NC02-32-0012	6	LOCK WASHER ZINC 3/8"
6	NC01-17-0112	4	HEX. BOLT GR2 ZINC 3/8-16 X 3/4"
7	01-01-2485	2	FLAT WASHER 14 GA X 13/16"OD X 25/64" ID
8	NC01-17-0114	2	HEX. BOLT GR2 ZINC 3/8-16 X 1"
9	NC01-04-0111	1	CARR. BOLT GR2 ZINC 3/8-16 X 1 1/2"
10	NC02-07-0018	2	HEX. NUT ZINC 3/8-16
11	NC13-45-0367	2	45°-7/8-14 MALE O RING X 1/2 FEM.TOUR.NPT PT
12	NC13-45-0369	2	QUICK COUPLER 1/2-14 NPTF
13	NC17-02-0328	2	HYDRAULIC HOSE (63" LG)
14	80-13-0100	2	HYDRAULIC RESTRICTOR
15	NC13-45-0378	2	HYDRAULIC RESTRICTOR BUSHING
16	80-45-0000	2	HEX. REDUCER 1/4 NPT X 1/2 NPT
17	NC02-32-0011	1	LOCK WASHER ZINC 5/16"
18	NC01-45-0184	1	HEX. BOLT GR8.8 ZINC 8MM X 20MM
19	NC17-46-0031	1	HYDRAULIC MOTOR BUSHING
20	01-33-0010	1	WASHER
21	NC01-96-0011	1	NYLON NUT 3/8-16
22	NC02-44-0103	2	SET SCREW 5/16-18 X 3/8"

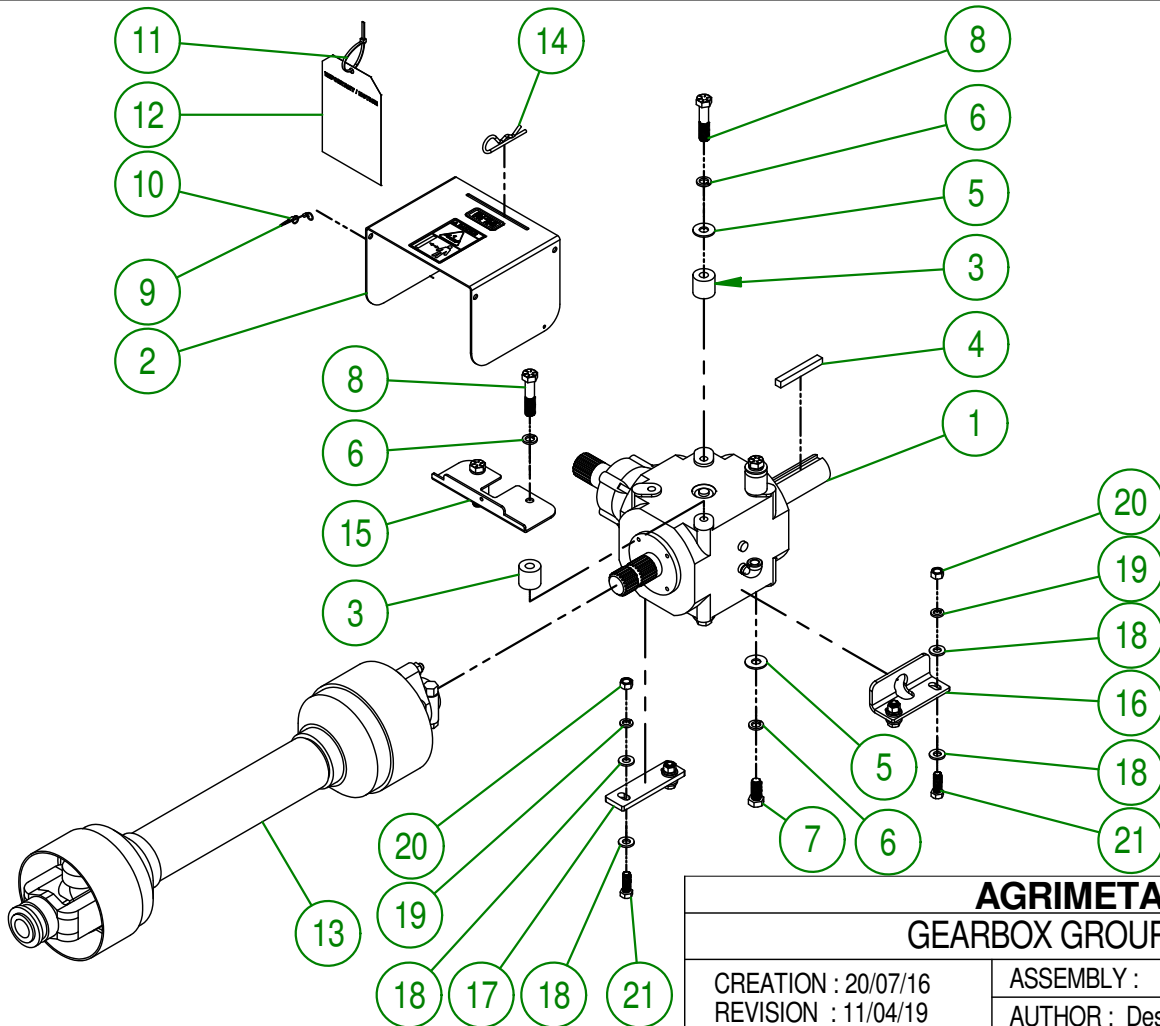


AGRIMETAL
HYDRAULIC MOTOR GROUP

CREATION : 15/04/19
 REVISION : 28/03/22

ASSEMBLY : **83-57-0410**
 AUTHOR : F.HÉLIE

#	PART #	Qty	TITLE
1	83-55-0010	1	GEAR BOX ASSY.
2	81-57-0040	1	PTO GUARD
3	83-21-0000	4	TRANSMISSION BUSHING
4	83-41-0900	1	IMPELLER KEY
5	NC02-22-0013	6	WASHER ZINC 5/8 ID X 1 1/2 OD
6	NC02-32-0016	8	LOCK WASHER ZINC 5/8"
7	NC01-33-0394	4	HEX. BOLT GR8 NC ZINC 5/8-11 X 1 1/2" LG.
8	NC01-33-0400	4	CAP SCREW GR8 NC ZINC 5/8-11 X 3" LG
9	80-41-0135	1	PTO GUARD STEEL CABLE
10	NC01-64-0005	2	OVAL SLEEVE (ALUMINUM)
11	NCI3-25-0019	1	BLACK TIE RAP
12	NCI3-50-0110	1	IMPORTANT/NOTICE PTO POSTER
13	83-34-0030	1	PTO SHAFT T90
14	NC01-63-0027	1	HAIRPIN COTTER
15	83-01-0170	1	PTO GUARD SUPPORT
16	80-04-0485	1	GEARBOX BRACE
17	80-04-0480	1	GEARBOX BRACE
18	NC02-25-0011	8	WASHER SAE ZINC 17/32 ID
19	NC02-32-0014	4	LOCK WASHER ZINC 1/2"
20	NC02-07-0020	4	HEX. NUT ZINC 1/2-13
21	NC01-33-0249	4	CAP SCREW GR8 NC ZINC 1/2-13 X 1 1/2" LG



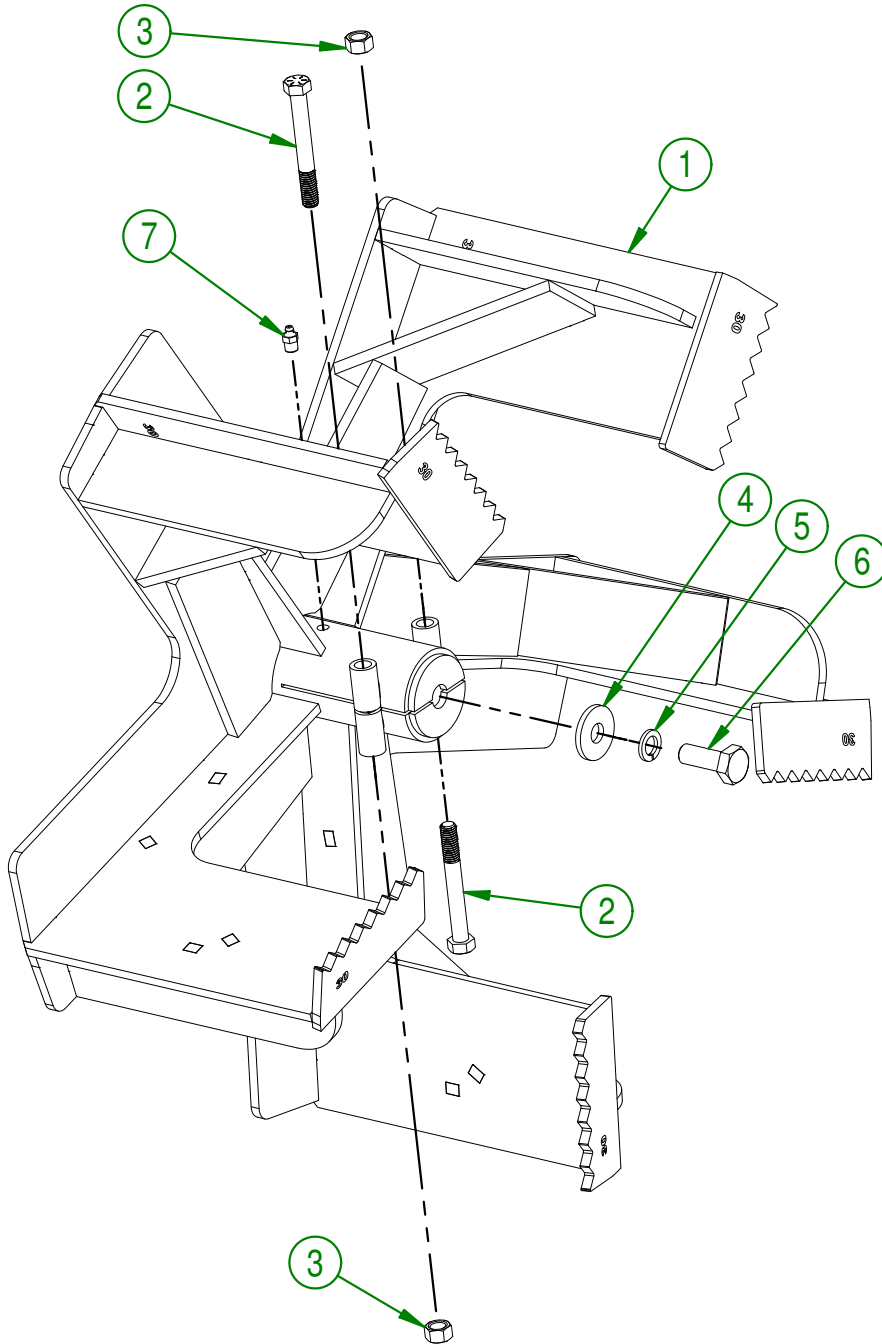
AGRIMETAL
GEARBOX GROUPING

CREATION : 20/07/16
REVISION : 11/04/19

ASSEMBLY : **83-57-0430**

AUTHOR : Dessin2 Page 11 de 21

#	PART #	Qty	TITLE
1	83-50-0050	1	IMPELLER
2	NC01-37-0259	2	HEX. BOLT GR8 NF ZINC 1/2-20 X 4" LG
3	NC01-94-0013	2	NYLON NUT ZINC 1/2-20"
4	80-04-0185	1	WASHER
5	NC02-32-0016	1	LOCK WASHER ZINC 5/8"
6	NC01-25-0395	1	HEX. BOLT GR5 ZINC 5/8-11 X 1 3/4" LG
7	NC01-69-0791	1	GREASE FITTING 1/8 NPT STRAIGHT



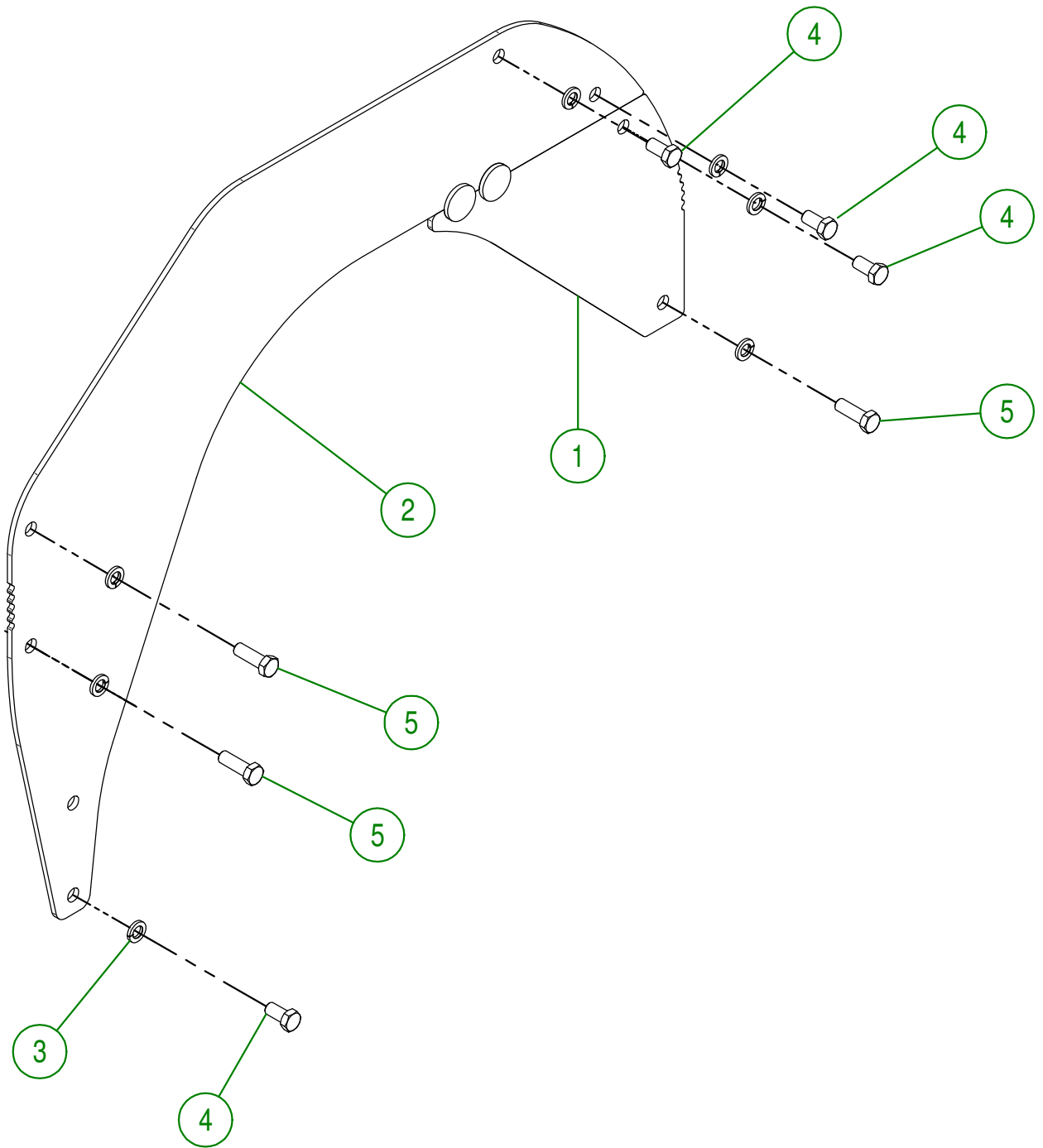
AGRIMETAL
IMPELLER GROUP

CREATION : 11/05/18
 REVISION : 26/02/19

ASSEMBLY : **83-57-0426**

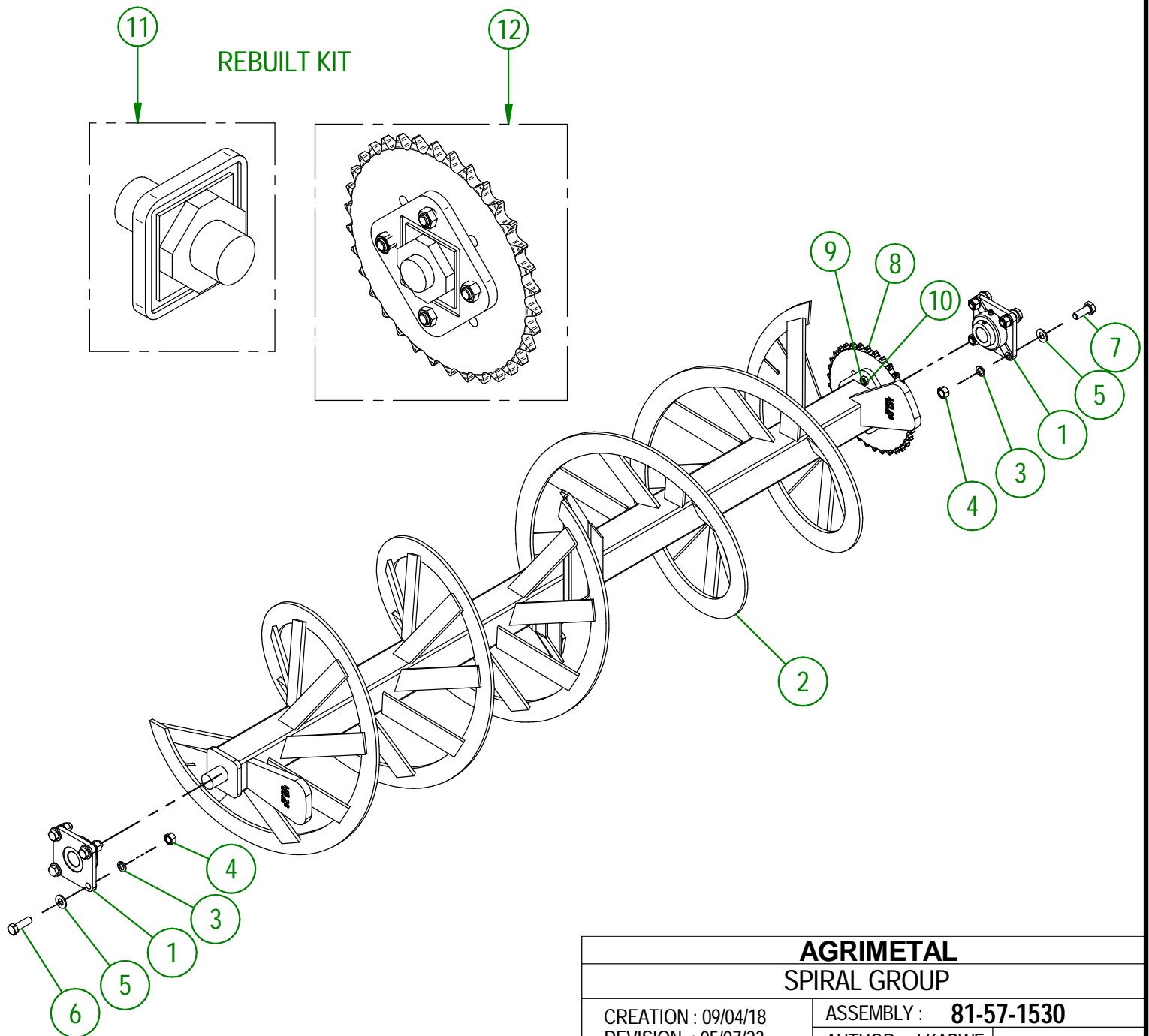
AUTHOR : Dessin2 Page 12 de 21

#	PART #	Qty	TITLE
1	83-50-0113	1	RIGHT SNOW GUARD
2	83-50-0111	1	LEFT SNOW GUARD
3	NC02-32-0014	7	LOCK WASHER ZINC 1/2"
4	NC01-25-0247	4	HEX. BOLT GR5 ZINC 1/2-13 X 1" LG
5	NC01-25-0249	3	HEX. BOLT GR5 ZINC 1/2-13 X 1 1/2" LG



AGRIMETAL	
SNOW GUARD GROUP	
CREATION : 20/07/16	ASSEMBLY : 83-57-0420
REVISION : 19/10/18	AUTHOR : J. HOULE Page 13 de 21

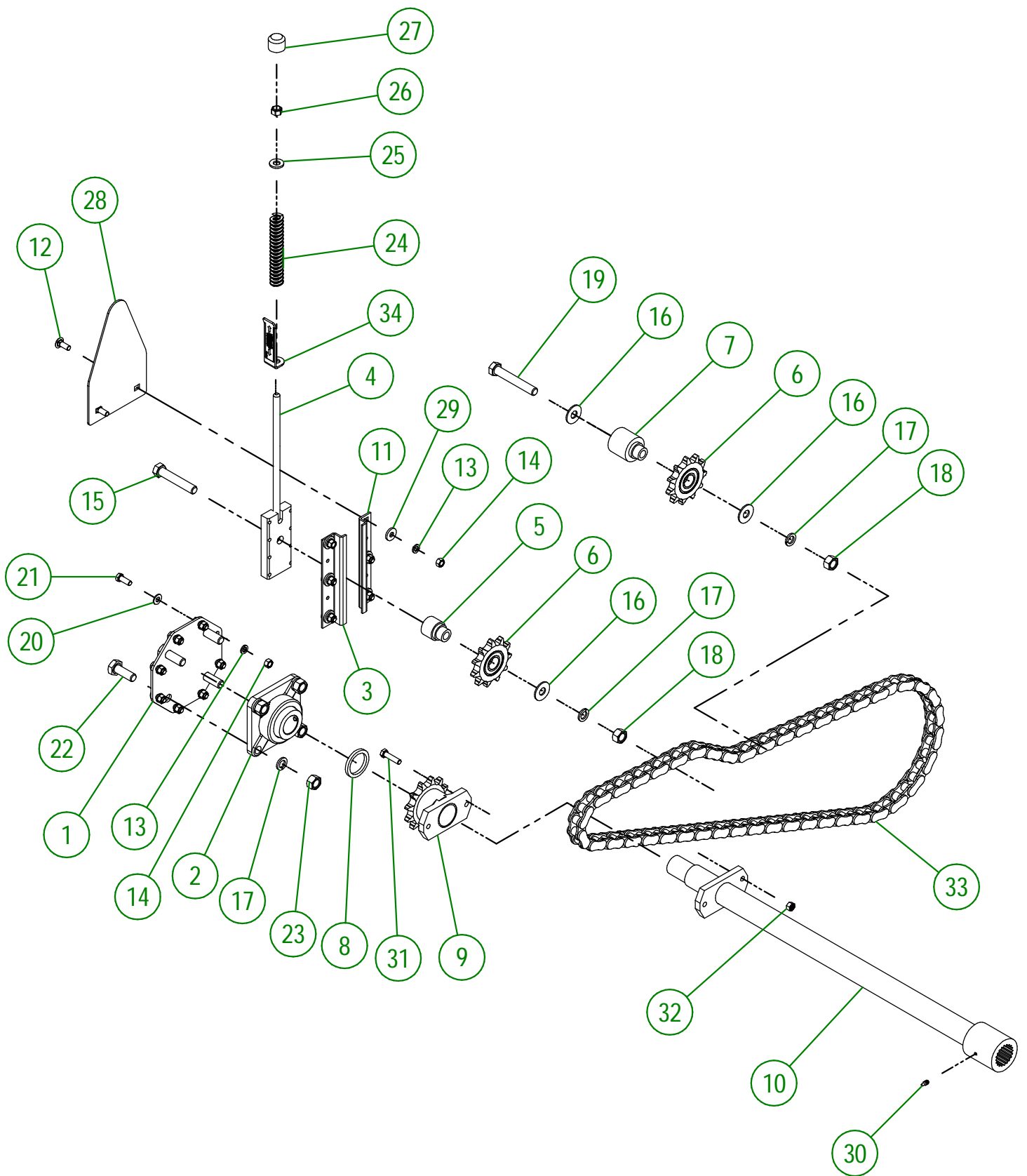
#	PART #	Qty	TITLE
1	NC14-75-0161	2	FLANGE BEARING UCF 208-24 1 1/2" ID
2	81-50-1530	1	SPIRAL
3	NC02-32-0016	8	LOCK WASHER ZINC 5/8"
4	NC02-07-0022	8	HEX. NUT ZINC 5/8-11
5	NC02-25-0013	8	WASHER ZINC SAE ZINC 21/32 ID
6	NC01-17-0396	4	HEX. BOLT GR2 ZINC 5/8-11 X 2"
7	NC01-17-0395	4	HEX. BOLT GR2 ZINC 5/8-11 X 1 3/4"
8	NC14-55-0275	1	SPROCKET 80A34 X 1 1/2"
9	NC01-29-0249	4	HEX. BOLT GR2 NC ZINC 1/2-20 X 1 1/2"
10	NC01-94-0013	4	HEX. LOCK NUT NF ZINC 1/2-20
11	81-51-0086	1	SHAFT OF THE SPIRAL
12	81-51-0091	1	SHAFT OF THE SPIRAL (SPROCKET)



AGRIMETAL
SPIRAL GROUP

CREATION : 09/04/18
REVISION : 05/07/23

ASSEMBLY : **81-57-1530**
AUTHOR : J.KABWE

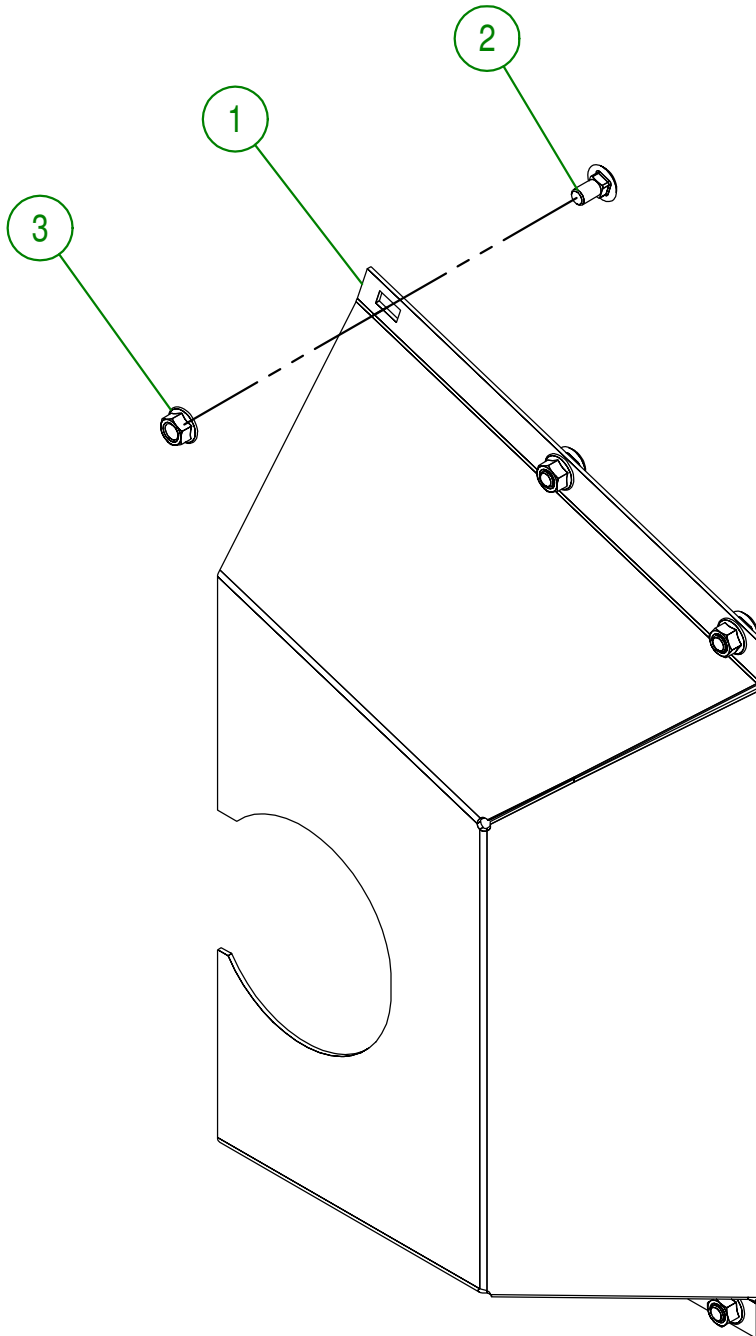


AGRIMETAL	
SPIRAL DRIVE TRAIN GROUP	
CREATION : 20/07/16	ASSEMBLY : 83-57-0935
REVISION : 21/02/22	AUTHOR : J. HOULE

83-57-0935

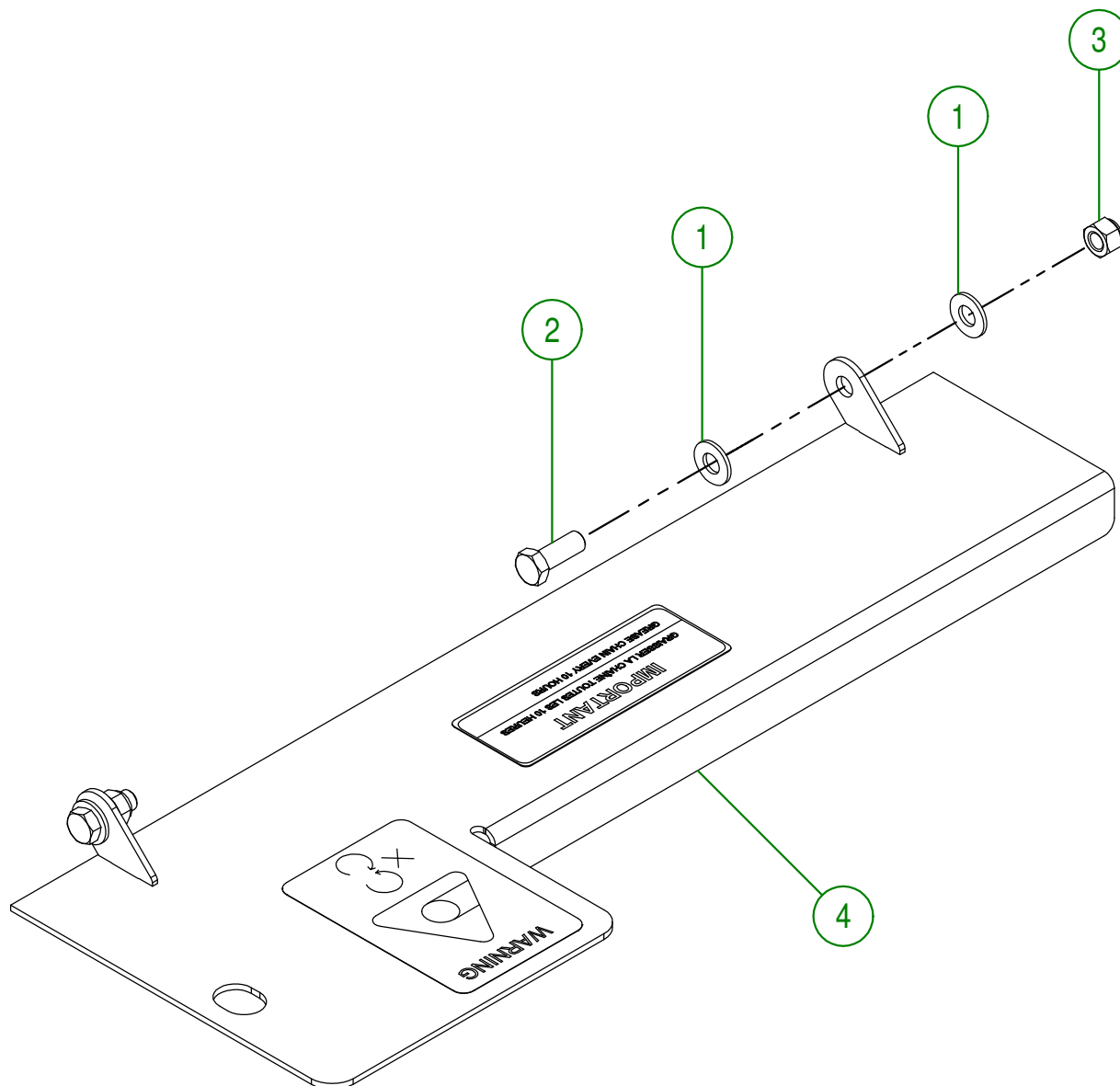
#	PART #	Qty	TITLE
1	81-04-0010	1	BEARING SUPPORT
2	NC14-75-0025	1	FLANGE BEARING 4 HOLES UCF 208-24 X 1 1/2"
3	81-01-0927	1	SUPPORT FOR CHAIN TENSIONER
4	81-50-0078	1	SUPPORT FOR CHAIN TENSIONER
5	81-21-0003	1	CHAIN TENSIONER BUSHING
6	81-55-0005	2	CHAIN TENSIONER SPROCKET
7	81-21-0002	1	CHAIN TENSIONER BUSHING
8	81-21-0010	1	SPIRAL DRIVE TRAIN BUSHING
9	NC14-55-0276	1	80BI2H SPROCKET
10	83-50-0565	1	SPIRAL DRIVE TRAIN
11	81-01-0928	1	SUPPORT FOR CHAIN TENSIONER
12	NC01-04-0109	6	CARR. BOLT GR2 ZINC 3/8-16 X 1"
13	NC02-32-0012	14	LOCK WASHER ZINC 3/8"
14	NC02-07-0018	14	HEX. NUT ZINC 3/8-16
15	NC01-29-0402	1	HEX. BOLT GR5 ZINC 5/8-18 X 3 1/2"
16	NC02-22-0013	3	WASHER ZINC 5/8 ID X 1 1/2 OD
17	NC02-32-0016	6	LOCK WASHER ZINC 5/8"
18	NC02-10-0022	2	HEX. NUT ZINC 5/8-18
19	NC01-29-0404	1	HEX. BOLT GR5 ZINC 5/8-18 X 4"
20	01-01-2485	8	FLAT WASHER 14 GA X 13/16"OD X 25/64" ID
21	NC01-17-0114	8	HEX. BOLT GR2 ZINC 3/8-16 X 1"
22	NC01-17-0395	4	HEX. BOLT GR2 ZINC 5/8-11 X 1 3/4"
23	NC02-07-0022	4	HEX. NUT ZINC 5/8-11
24	NC13-86-0054	1	BLUE SPRING 1/2" ID X 1" OD X 6" LG
25	NC02-25-0011	1	WASHER SAE ZINC 17/32 ID
26	NC01-96-0014	1	NYLON-INSERT LOCKNUT ZINC 1/2-13
27	80-42-0110	1	THREADED ROD CAP
28	81-01-0965	1	SPRING GUARD
29	21-01-0950	6	FLAT WASHER 10GA 1.005" DIA X 25/64"
30	NC01-69-0785	1	STRAIGHT GREASE FITTING 1/4-28
31	NC01-25-0116	1	HEX. BOLT GR5 ZINC 3/8-16 X 1 1/2"
32	NC01-93-0011	1	LOCK NUT 3/8-16
33	83-37-1000	1	#80 HD CHAIN
34	81-57-0160	1	ADJUSTEMENT INDICATOR

#	PART #	Qty	TITLE
1	81-50-0070	1	CHAIN GUARD
2	NC01-04-0107	6	CARR. BOLT GR2 ZINC 3/8-16 X 3/4"
3	NC02-14-0019	6	FLANGE NUT HEX. NC 3/8-16 GR. B



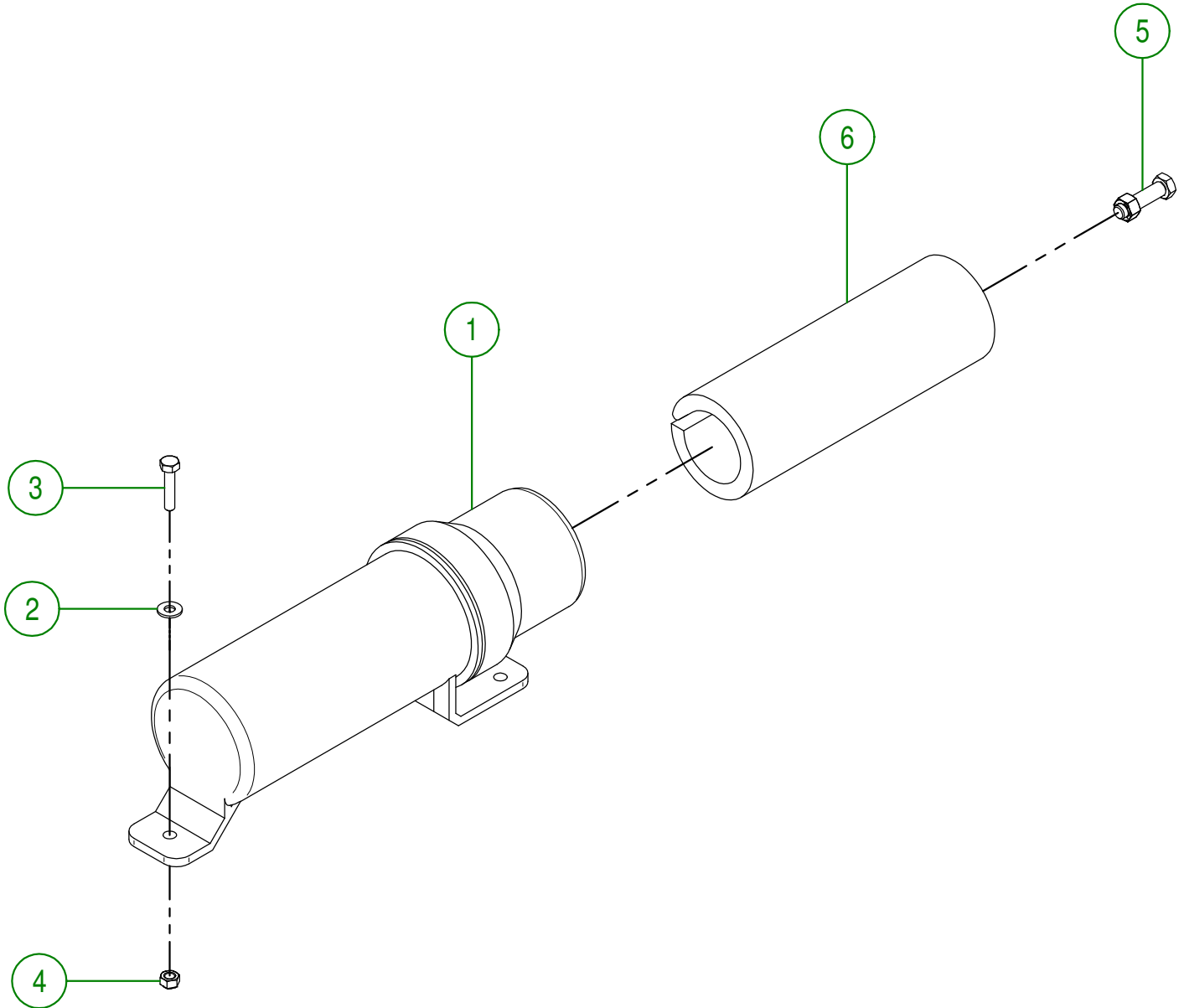
AGRIMETAL	
SPIRAL CHAIN GUARD GROUP	
CREATION : 19/07/16	ASSEMBLY : 81-57-0405
REVISION : 18/10/18	AUTHOR : J. HOULE Page 17 de 21

#	PART #	Qty	TITLE
1	01-01-2485	4	FLAT WASHER 14 GA X 13/16"OD X 25/64" ID
2	NC01-17-0114	2	HEX. BOLT GR2 ZINC 3/8-16 X 1"
3	NC01-96-0011	2	NYLON NUT 3/8-16
4	83-57-0035	1	CHAIN GUARD

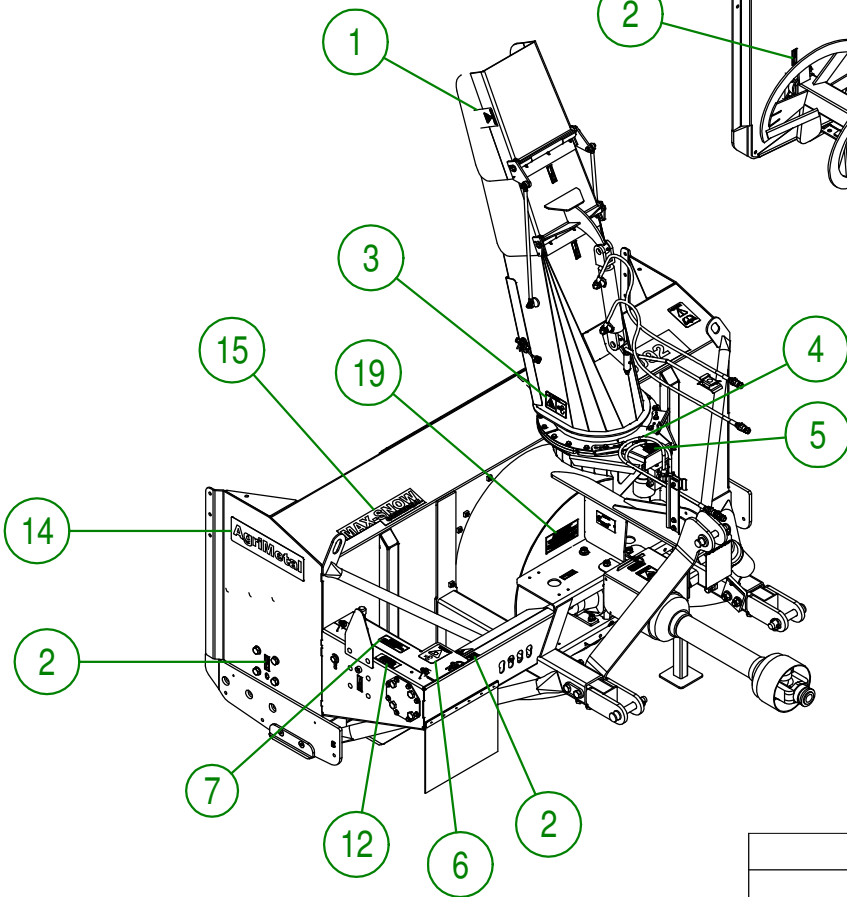
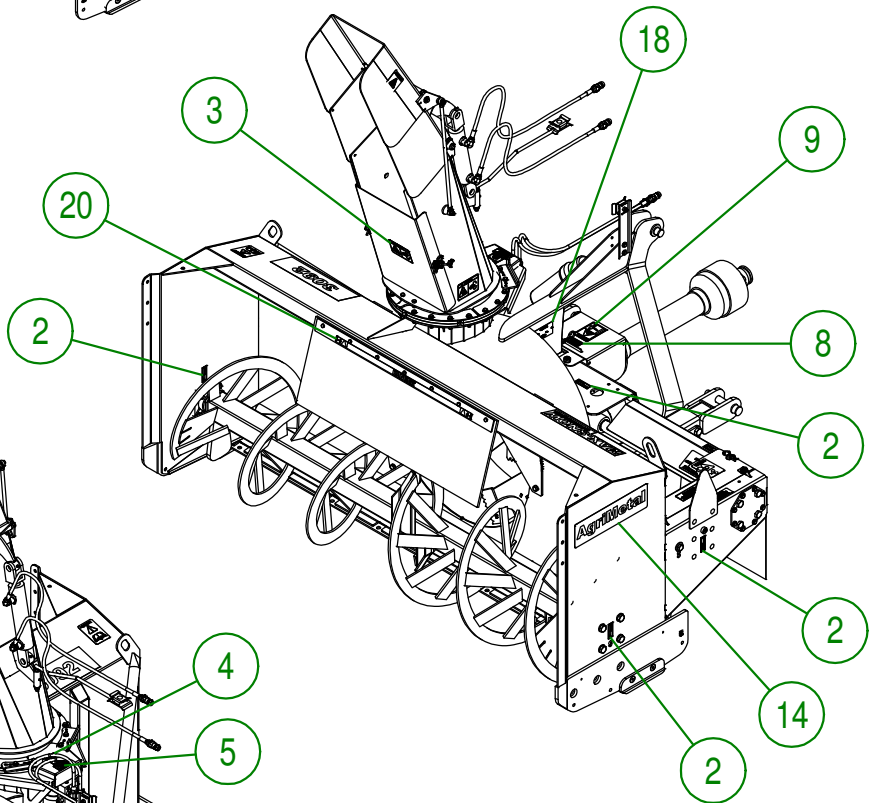
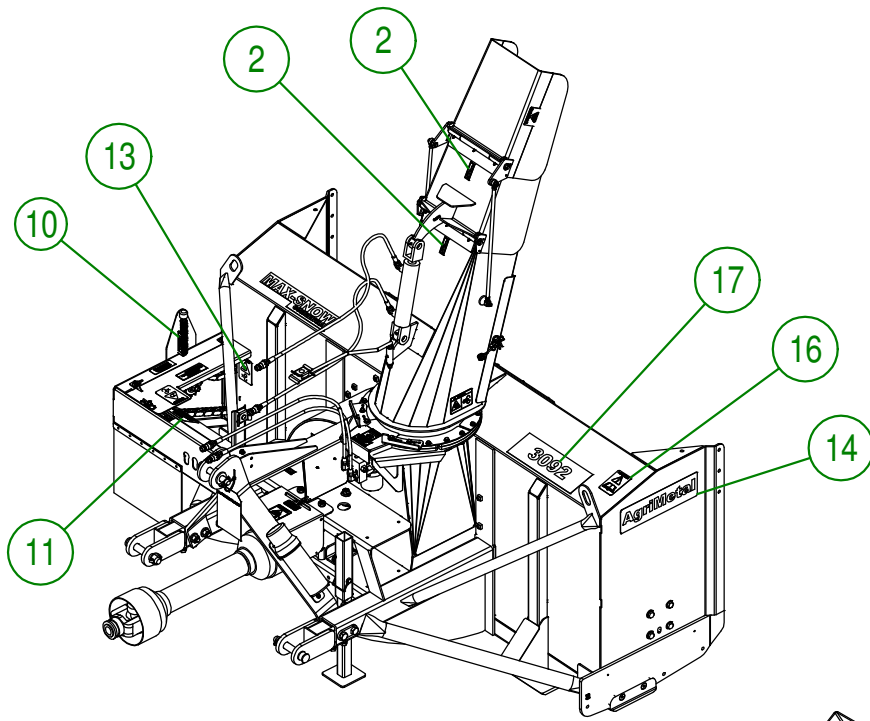


AGRIMETAL	
CHAIN GUARD GROUP	
CREATION : 20/07/16	ASSEMBLY : 83-57-0437
REVISION : 18/11/19	AUTHOR : J. HOULE Page 18 de 21

#	PART #	Qty	TITLE
1	NCI3-30-0237	1	PLASTIC TUBE FOR OPERATOR'S MANUAL
2	NC02-25-0007	2	WASHER ZINC 0.281 = 9/32
3	NC01-17-0007	2	HEX. BOLT GR2 ZINC 1/4-20 X 1 1/4"
4	NC01-96-0009	2	NYLON-INSERT LOCKNUT ZINC 1/4-20
5	81-57-0030	1	SET OF 6 SHEAR BOLT WITH NUT
6	81-98-0521	1	ENGLISH OPERATOR'S MANUAL (MS28 & 30)



AGRIMETAL	
OPERATOR'S MANUAL TUBE GROUP	
CREATION : 19/07/16	ASSEMBLY : 81-57-0400
REVISION : 08/05/18	AUTHOR : J. HOULE Page 19 de 21



AGRIMETAL

MS 3092

CREATION : 20/07/16
 REVISION : 16/12/19

ASSEMBLY : **83-99-0500**

AUTHOR : J. HOULE Page 20 de 21

#	PART #	Qty	TITLE
1	NC13-33-0192	2	STICKER (PROJECTION RISK)
2	NC13-33-0024	7	STICKER GREASE HERE
3	NC13-33-0249	3	STICKER DANGER
4	NC13-33-0326	1	STICKER DANGER (HAND)
5	NC13-33-0327	1	STICKER END ROTATION ADJUSTMENT
6	NC13-33-0283	1	STICKER DANGER (PERSON AND CHAIN DRIVE)
7	NC13-33-0343	1	GREASE CHAIN EVERY 10 HOURS STICKER
8	NC13-33-0005	1	STICKER MAXIMUM 540 RPM
9	NC13-33-0187	1	STICKER DANGER (PTO AND PERSON)
10	NC13-33-0344	1	ADJUSTEMENT INDICATOR STICKER
11	NC13-33-0281	1	STICKER SHEAR BOLT
12	NC13-33-0248	1	STICKER IMPORTANT 4 1/4 INCHES 110mm
13	NC13-33-0189	1	STICKER DANGER (PERSON AND CHAIN DRIVE)
14	NC13-33-0001	2	STICKER AGRIMETAL
15	NC13-33-0241	1	STICKER MAX-SNOW COMMERCIAL
16	NC13-33-0183	1	STICKER CAUTION OPERATION MANUAL
17	NC13-33-0263	1	STICKER 3092
18	NC13-50-0086	1	SERIAL NUMBER PLATE
19	NC13-33-0317	1	STICKER GREASE DRIVE LINE TELESCOPIC SHAFT
20	NC13-33-0274	1	STICKER DANGER