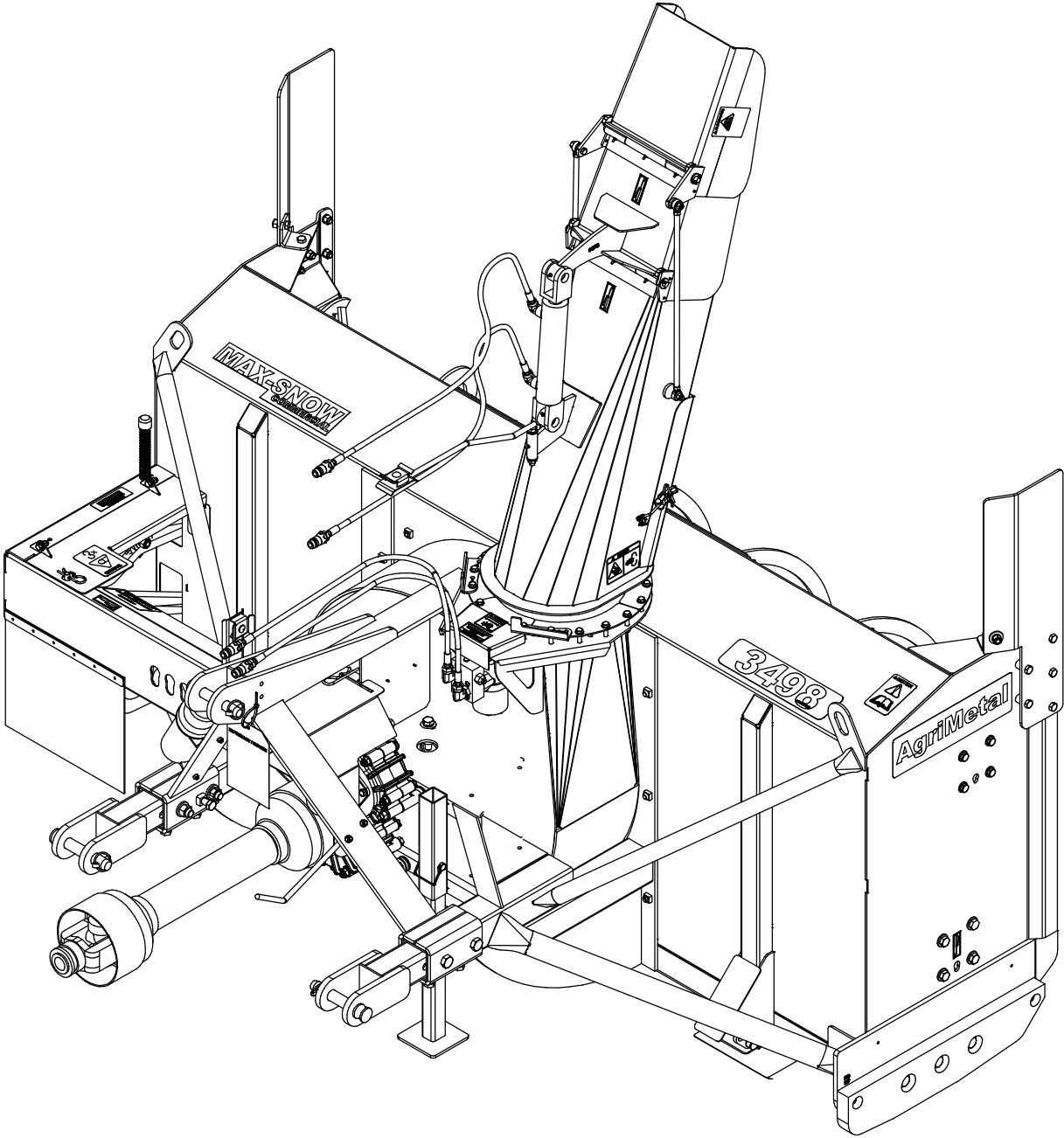


AgriMetal

PARTS LIST



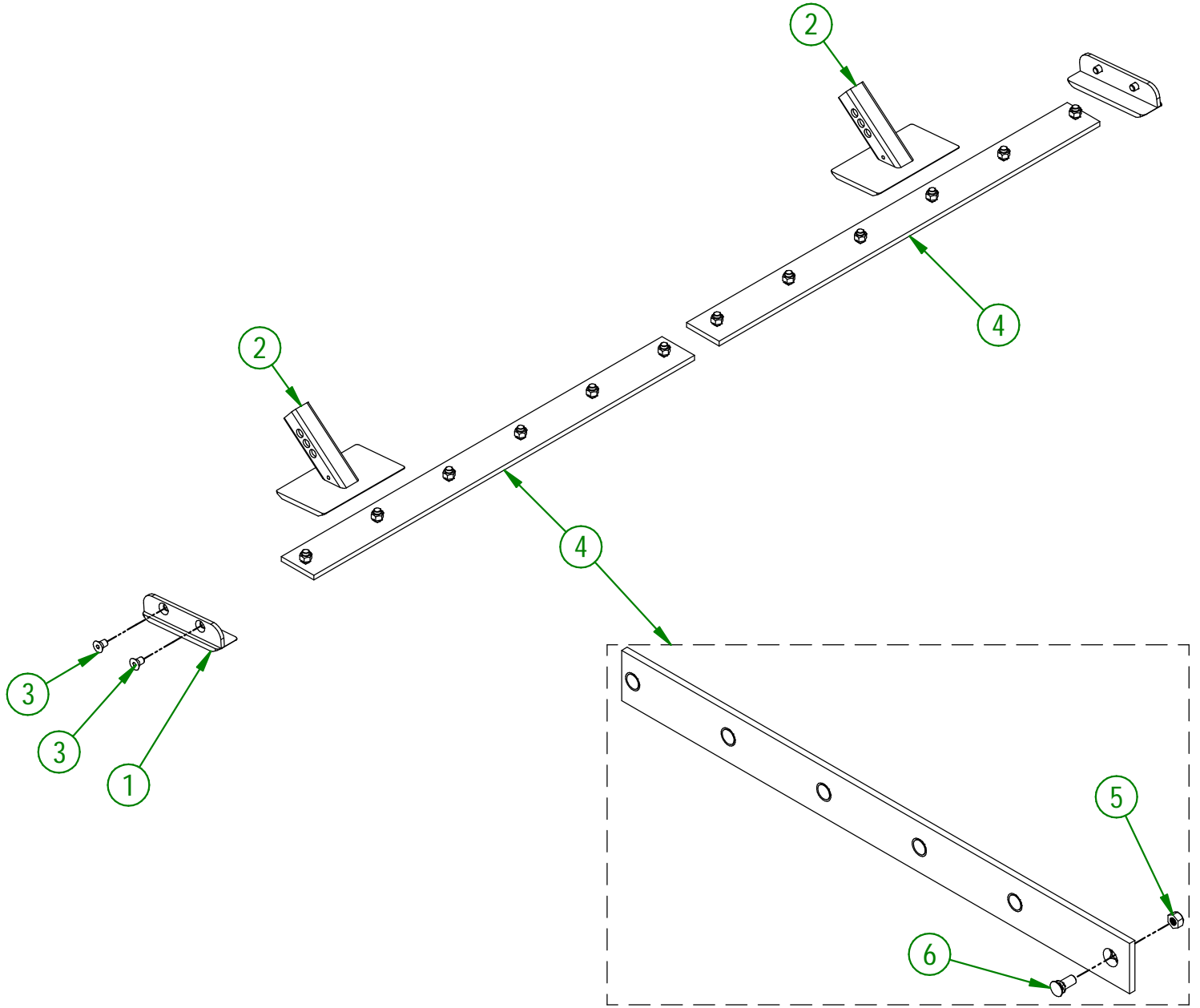
MS 3498

81-57-2200

| # | PART # | Qty | TITLE |
|---|--------------|-----|---|
| 1 | 80-50-0085 | 2 | LATERAL SKATE (#450 HARDNESS STEEL) |
| 2 | 81-50-0055 | 2 | ADJUSTABLE SKATE (#450 HARDNESS STEEL) |
| 3 | NC02-48-0586 | 4 | FLAT HEAD SOCKET CAP SCREW 5/8-11 X 1" LG |
| 4 | 81-57-0240 | 2 | KNIFE (#450 HARDNESS STEEL) GROUP (BOLTS AND NUTS INCLUDED) |

81-57-0240

| # | PART # | Qty | TITLE |
|---|--------------|-----|----------------------------------|
| 5 | NC01-93-0016 | 6 | LOCK NUT ZINC 5/8-11 |
| 6 | NC01-09-0039 | 6 | PLOW BOLT GR5 5/8-11 X 1 1/2" LG |



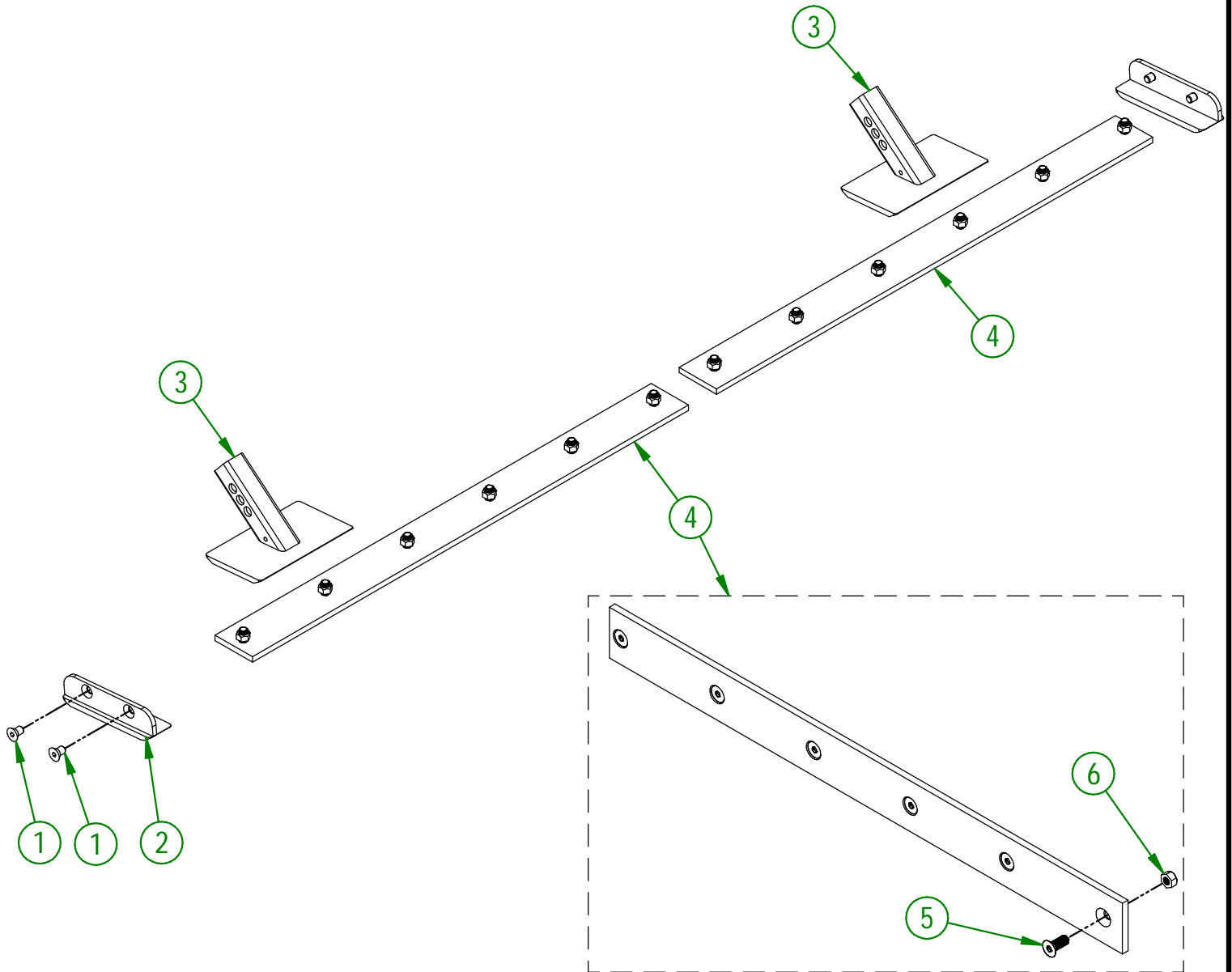
| | |
|--|------------------------------|
| AGRIMETAL | |
| SET OF KNIVES (#450 HARDNESS STEEL) | |
| CREATION : 09/04/18 | ASSEMBLY : 81-57-2200 |
| REVISION : 26/09/23 | AUTHOR : J.KABWE |

81-57-2210

| # | PART # | Qty | TITLE |
|---|--------------|-----|---|
| 1 | NC02-48-0586 | 4 | FLAT HEAD SOCKET CAP SCREW 5/8-11 X 1" LG |
| 2 | 80-50-0087 | 2 | LATERAL SKATE (STAINLESS STEEL) |
| 3 | 81-50-0058 | 2 | ADJUSTABLE SKATE (STAINLESS STEEL) |
| 4 | 81-57-0245 | 2 | KNIFE (STAINLESS STEEL) GROUP (BOLTS AND NUTS INCLUDED) |

81-57-0245

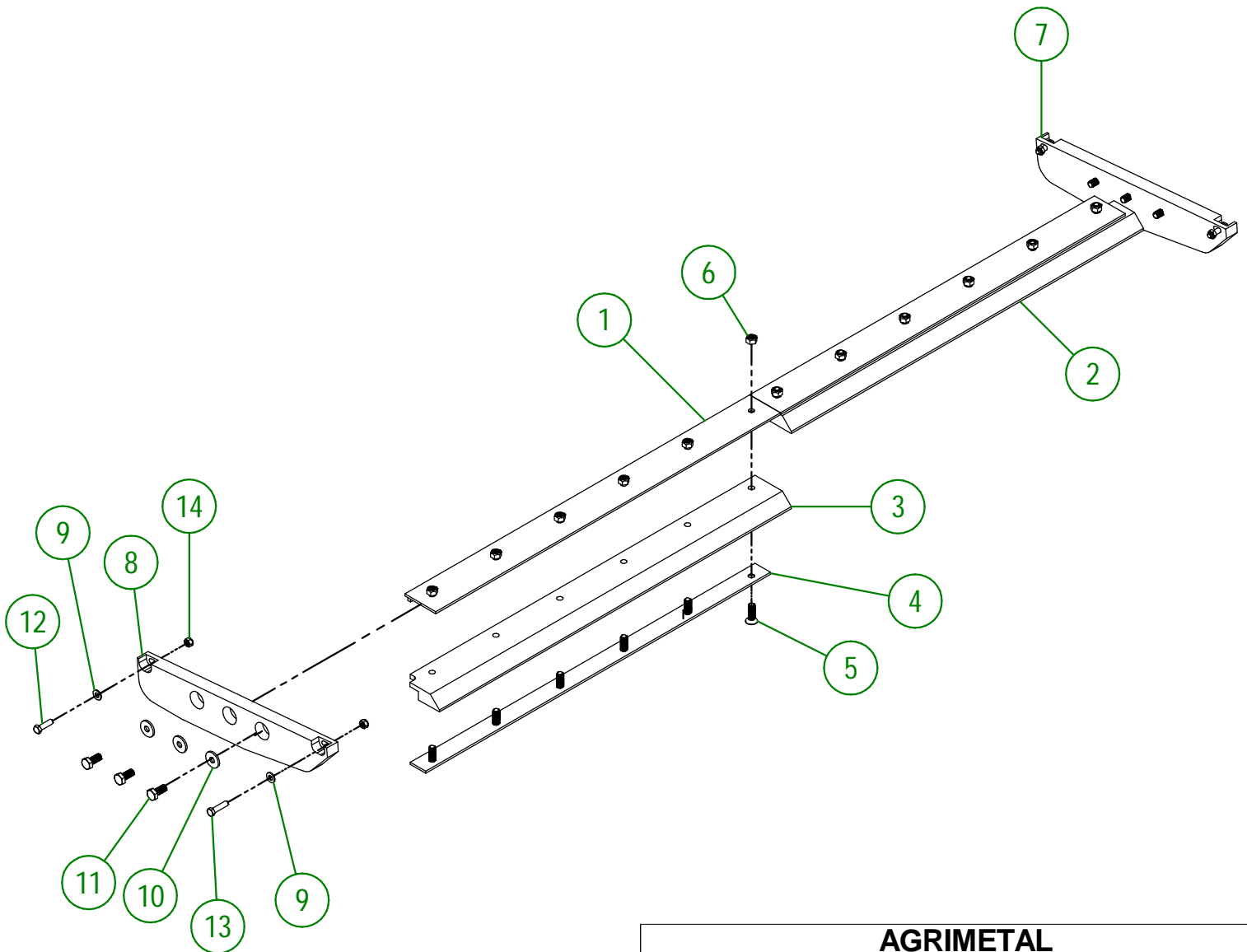
| # | PART # | Qty | TITLE |
|---|--------------|-----|--|
| 5 | NC02-48-0562 | 6 | FLAT HEAD SOCKET CAP SCREW STAINLESS 5/8-11 X 1 1/2" |
| 6 | NC01-93-0016 | 6 | LOCK NUT ZINC 5/8-11 |



| | |
|--|------------------------------|
| AGRIMETAL | |
| SET OF KNIVES (STAINLESS STEEL) | |
| CREATION : 09/04/18 | ASSEMBLY : 81-57-2210 |
| REVISION : 26/09/23 | AUTHOR : J.KABWE |

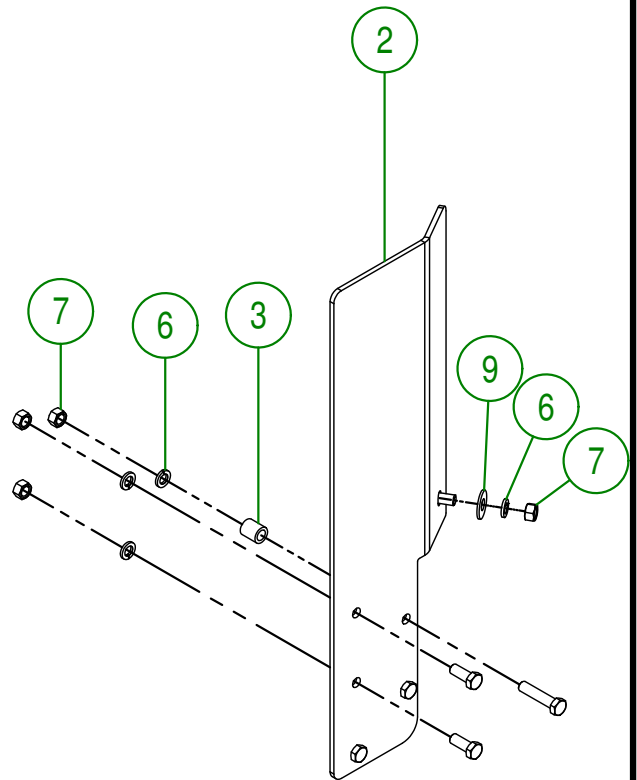
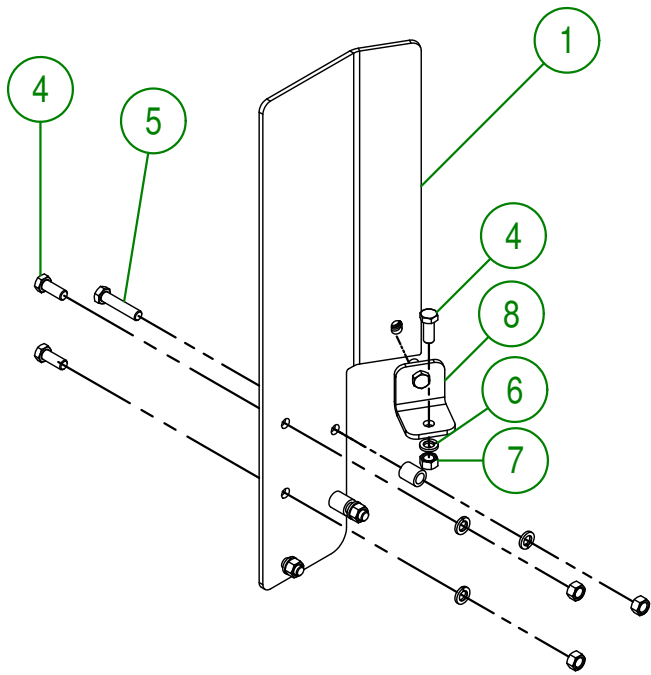
81-57-2205

| # | PART # | Qty | TITLE |
|----|--------------|-----|---|
| 1 | 81-50-2200 | 2 | KNIFE BRACE (TOP) |
| 2 | 81-42-0110 | 1 | RIGHT KNIFE (UHMW) |
| 3 | 81-42-0112 | 1 | LEFT KNIFE (UHMW) |
| 4 | 81-04-0505 | 2 | KNIFE BRACE (UNDER) |
| 5 | NC02-48-0564 | 12 | FLAT HEAD SOCKET CAP SCREW STAINLESS 5/8-11 X 2" LG |
| 6 | NC01-93-0016 | 12 | LOCK NUT ZINC 5/8-11 |
| 7 | 81-42-0103 | 1 | LATERAL KNIFE (RIGHT) |
| 8 | 81-42-0104 | 1 | LATERAL KNIFE (LEFT) |
| 9 | NC02-25-0011 | 4 | WASHER SAE ZINC 17/32 ID |
| 10 | 80-04-0185 | 6 | WASHER |
| 11 | NC01-17-0394 | 6 | HEX. BOLT GR2 ZINC 5/8-11 X 1 1/2" |
| 12 | NC01-17-0250 | 2 | HEX. BOLT GR2 ZINC 1/2-13 X 1 3/4" |
| 13 | NC01-17-0251 | 2 | HEX. BOLT GR2 ZINC 1/2-13 X 2" |
| 14 | NC01-93-0014 | 4 | LOCK NUT ZINC 1/2-13 |



| | |
|-----------------------------|------------------------------|
| AGRIMETAL | |
| SET OF KNIVES (UHMW) | |
| CREATION : 09/04/18 | ASSEMBLY : 81-57-2205 |
| REVISION : 27/09/23 | AUTHOR : J.KABWE |

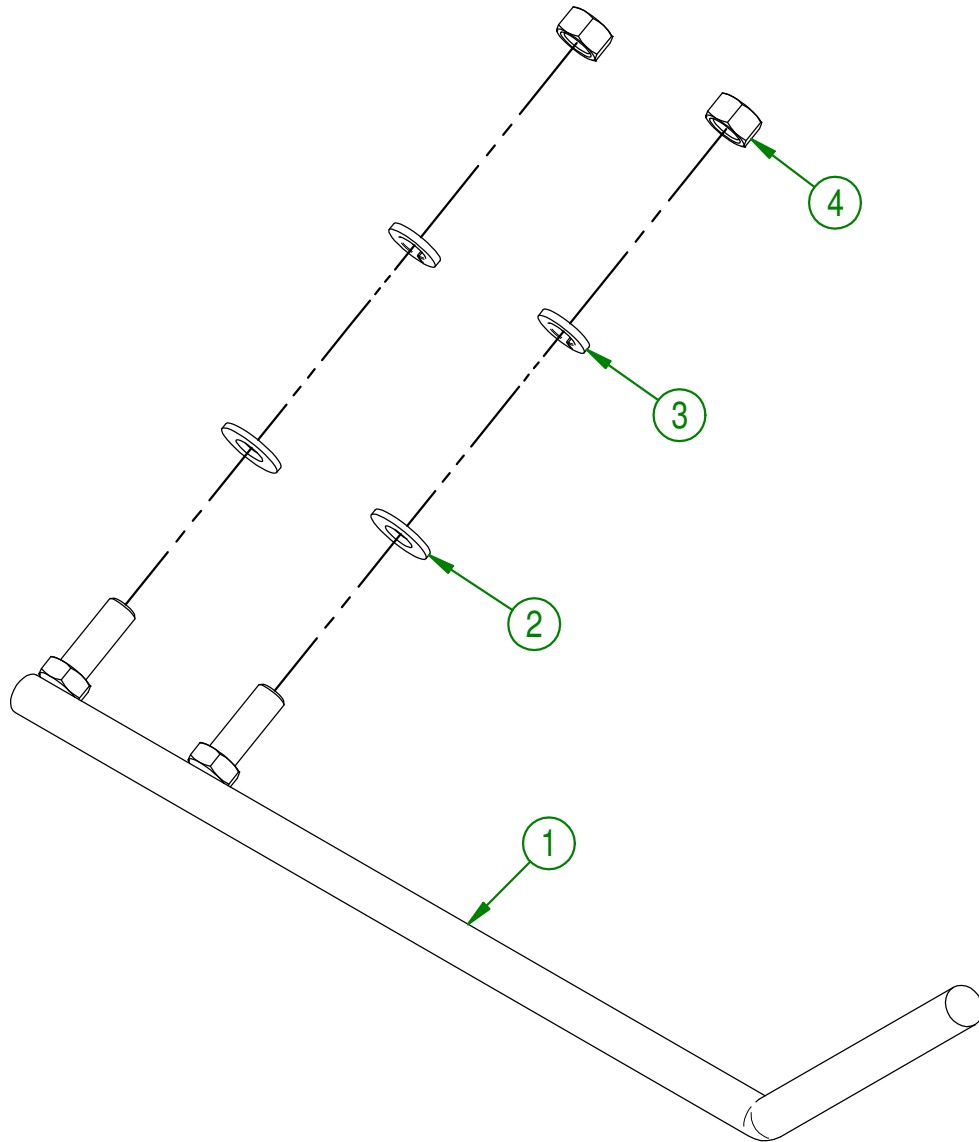
| # | PART # | Qty | TITLE |
|---|--------------|-----|---|
| 1 | 81-20-0337 | 1 | LATERAL CUTTER BLADES (LEFT) |
| 2 | 81-20-0335 | 1 | LATERAL CUTTER BLADES (RIGHT) |
| 3 | 81-10-0000 | 4 | LATERAL CUTTER BLADES BUSHING |
| 4 | NC01-25-0248 | 10 | HEX. BOLT GR5 ZINC 1/2-13 X 1 1/4" |
| 5 | NC01-25-0252 | 4 | HEX. BOLT GR5 ZINC 1/2-13 X 2 1/4" |
| 6 | NC02-32-0014 | 14 | LOCK WASHER ZINC 1/2" |
| 7 | NC02-07-0020 | 14 | HEX. NUT ZINC 1/2-13 |
| 8 | 81-04-0525 | 2 | LATERAL KNIFE REINFORCE |
| 9 | NC02-22-0012 | 2 | WASHER ZINC 1/2 BOLT = 9/16"Ø X 1 3/8" OD |



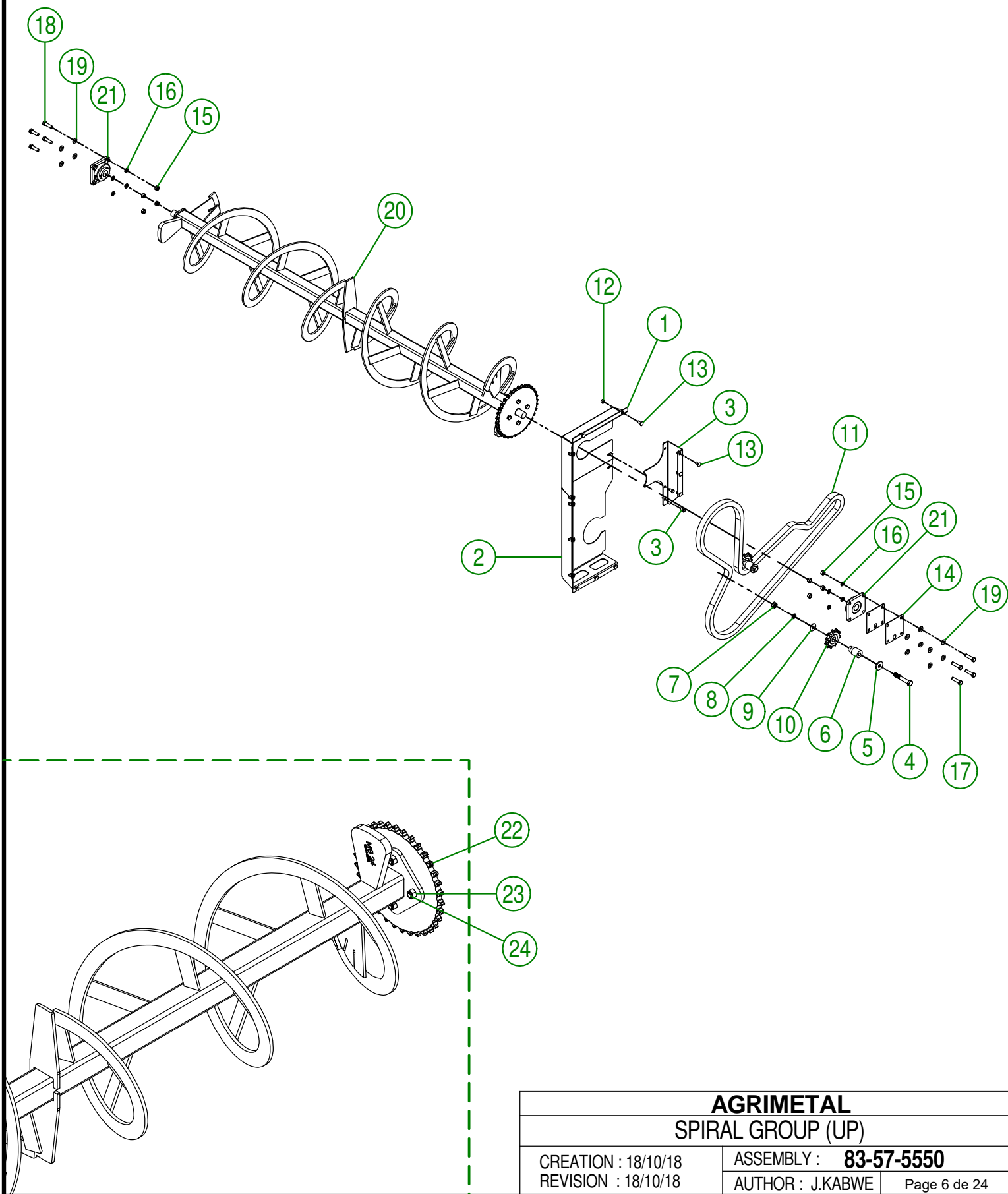
| | |
|------------------------------|-------------------------------------|
| AGRIMETAL | |
| LATERAL CUTTER BLADES | |
| CREATION : 24/11/17 | ASSEMBLY : 81-57-0215 |
| REVISION : 01/02/19 | AUTHOR : J. Houle Page 4 de 24 |

84-57-1315

| # | PART # | Qty | TITLE |
|---|--------------|-----|--|
| 1 | 84-50-1310 | 1 | PTO SUPPORT |
| 2 | 01-01-2485 | 2 | FLAT WASHER 14 GA X 13/16"OD X 25/64" ID |
| 3 | NC02-32-0012 | 2 | LOCK WASHER ZINC 3/8" |
| 4 | NC02-07-0018 | 2 | HEX. NUT ZINC 3/8-16 |



| | |
|----------------------------|---------------------------------|
| AGRIMETAL | |
| PTO SUPPORT GROUP (OPTION) | |
| CREATION : 06/12/17 | ASSEMBLY : 84-57-1315 |
| REVISION : 17/10/18 | AUTHOR : J.KABWE Page 5 de 24 |



AGRIMETAL
SPIRAL GROUP (UP)

CREATION : 18/10/18
 REVISION : 18/10/18

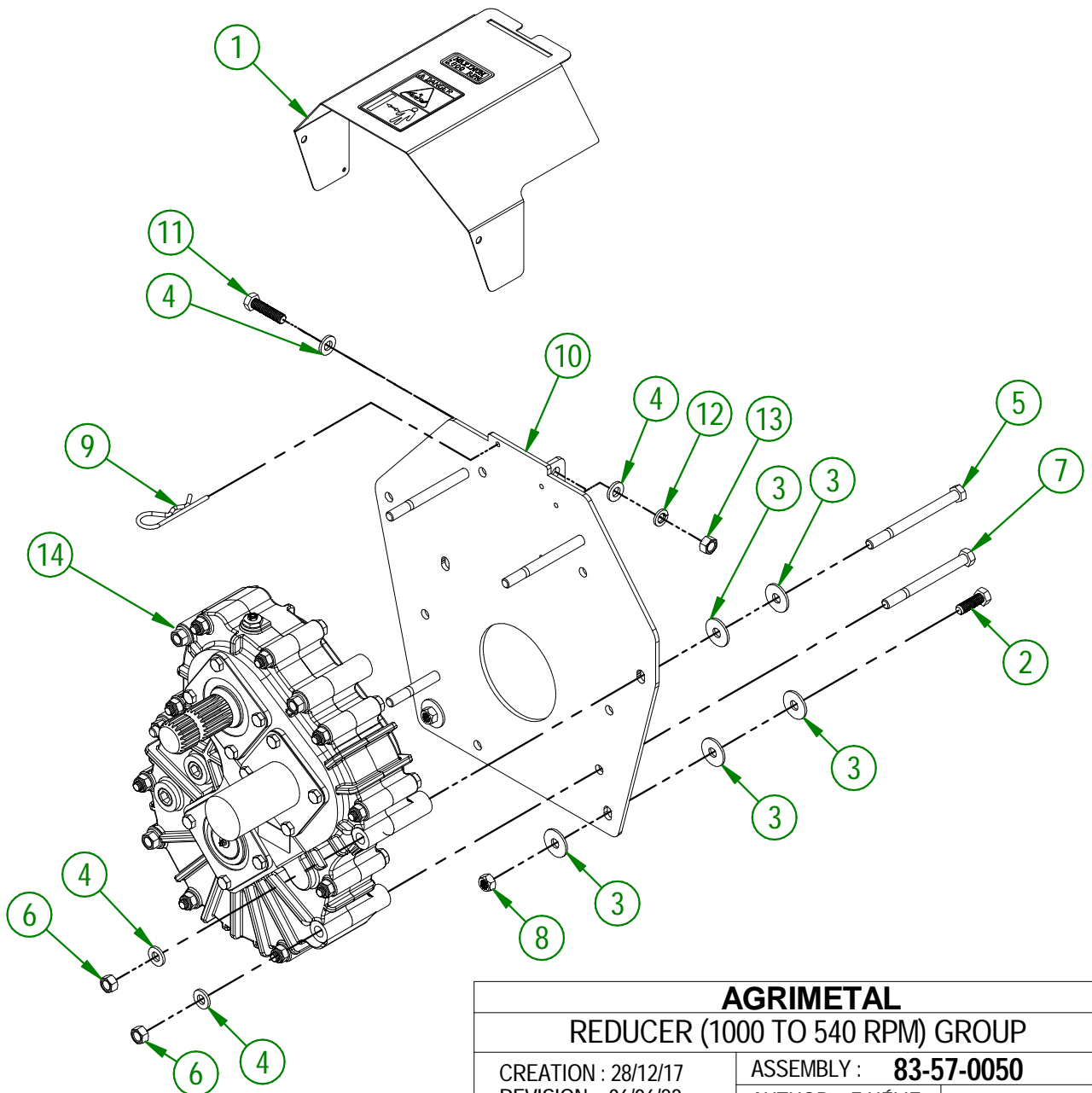
ASSEMBLY : **83-57-5550**

AUTHOR : J.KABWE Page 6 de 24

| # | PART # | Qty | TITLE |
|----|--------------|-----|--|
| 1 | 83-50-5050 | 1 | CHAIN GUARD OF THE DOUBLE SPIRAL (ABOVE) |
| 2 | 83-50-5045 | 1 | CHAIN GUARD OF THE DOUBLE SPIRAL (BELOW) |
| 3 | 83-50-5040 | 1 | CHAIN GUARD HOLDER |
| 4 | NC01-17-0404 | 2 | HEX. BOLT GR2 ZINC 5/8-11 X 3 1/2" |
| 5 | 80-04-0185 | 2 | WASHER |
| 6 | 83-21-0010 | 2 | CHAIN TENSIONER BUSHING |
| 7 | NC02-10-0022 | 2 | HEX. NUT ZINC 5/8-18 |
| 8 | NC02-32-0016 | 2 | LOCK WASHER ZINC 5/8" |
| 9 | NC02-22-0013 | 2 | WASHER ZINC 5/8 ID X 1 1/2 OD |
| 10 | NC14-55-0292 | 2 | 80CI1H SPROCKET |
| 11 | 83-37-0010 | 1 | #80 HD CHAIN |
| 12 | NC02-14-0019 | 16 | FLANGE NUT HEX. NC 3/8-16 GR. B |
| 13 | NC01-04-0109 | 13 | CARR. BOLT GR2 ZINC 3/8-16 X 1" |
| 14 | 80-01-1525 | 2 | SPIRAL SHIM |
| 15 | NC02-07-0020 | 8 | HEX. NUT ZINC 1/2-13 |
| 16 | NC02-32-0014 | 8 | LOCK WASHER ZINC 1/2" |
| 17 | NC01-17-0251 | 4 | HEX. BOLT GR2 ZINC 1/2-13 X 2" |
| 18 | NC01-17-0250 | 4 | HEX. BOLT GR2 ZINC 1/2-13 X 1 3/4" |
| 19 | NC02-25-0011 | 12 | WASHER SAE ZINC 17/32 ID |
| 20 | 83-50-5550 | 1 | 17" SPIRAL |
| 21 | NC14-75-0160 | 2 | FLANGE BEARING UCF207-20 1 1/4" ID |
| 22 | NC14-55-0275 | 1 | SPROCKET 80 A34 X 1 1/2" |
| 23 | NC01-29-0249 | 4 | HEX. BOLT GR5 NF ZINC 1/2-20 X 1 1/2" |
| 24 | NC01-94-0013 | 4 | LOCKNUT ZINC 1/2-20 |

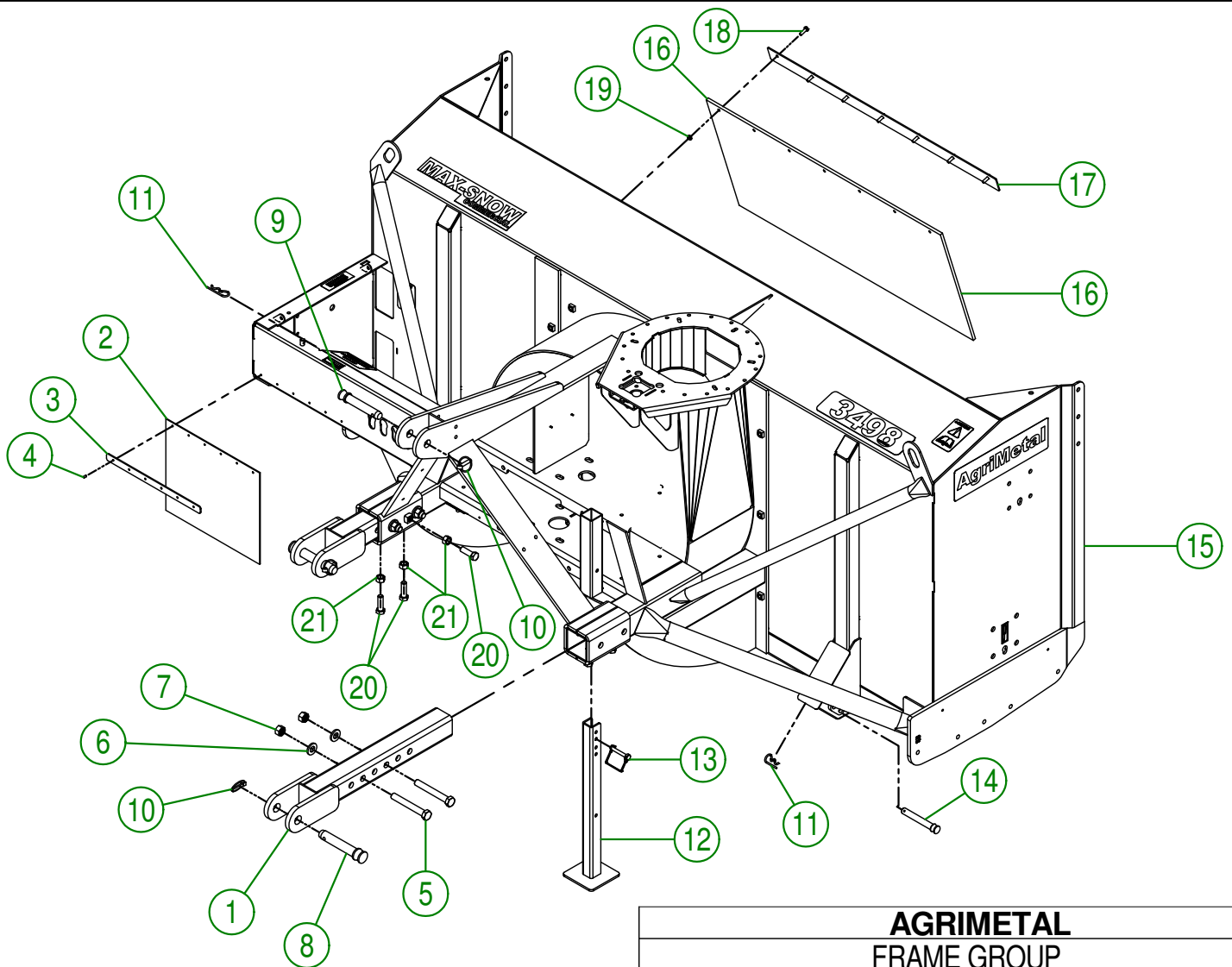
83-57-0050

| # | PART # | Qty | TITLE |
|----|--------------|-----|--|
| 1 | 83-57-0055 | 1 | |
| 2 | NC01-33-0249 | 2 | CAP SCREW GR8 NC ZINC 1/2-13 X 1 1/2" LG |
| 3 | 01-01-1660 | 10 | WASHER SPACER |
| 4 | 01-01-0925 | 10 | WASHER |
| 5 | NC01-37-0267 | 2 | HEX. BOLT GR8 ZINC 1/2-20 X 6" LG |
| 6 | NC01-94-0013 | 6 | NYLON NUT ZINC 1/2-20" |
| 7 | NC01-37-0265 | 4 | HEX. BOLT GR8 ZINC 1/2-20 X 5 1/2" LG |
| 8 | NC01-93-0014 | 2 | LOCK NUT ZINC 1/2-13 |
| 9 | NC01-63-0027 | 1 | HAIRPIN COTTER |
| 10 | 83-50-0125 | 1 | GEARBOX REDUCER SUPPORT |
| 11 | NC01-25-0251 | 2 | HEX.BOLT GR5 NC ZINC 1/2-13 X 2" |
| 12 | NC02-32-0014 | 2 | LOCK WASHER ZINC 1/2" |
| 13 | NC02-07-0020 | 2 | HEX. NUT ZINC 1/2-13 |
| 14 | 83-55-0100 | 1 | SPEED REDUCER 1000 TO 540 RPM |



| | |
|--|------------------------------|
| AGRIMETAL | |
| REDUCER (1000 TO 540 RPM) GROUP | |
| CREATION : 28/12/17 | ASSEMBLY : 83-57-0050 |
| REVISION : 06/06/22 | AUTHOR : F.HÉLIE |

| # | PART # | QTY | TITLE |
|----|--------------|-----|---|
| 1 | 83-50-5020 | 2 | ATTACHMENT HAND |
| 2 | NC13-15-0300 | 1 | SNOW GUARD |
| 3 | 80-01-1075 | 1 | SNOW GUARD BRACE |
| 4 | NC01-78-0016 | 6 | ALUMINIUM BLIND POP RIVET STEEL MANDREL 0.187 X 0.690 |
| 5 | NC01-33-0481 | 4 | HEX. BOLT GR8 ZINC 3/4-10 X 5 1/2" |
| 6 | 22-04-6805 | 4 | FLAT WASHER BEARING BASE |
| 7 | NC01-93-0017 | 4 | HEX. LOCKNUT STEEL NF Z 3/4-16 |
| 8 | 48-20-0065 | 2 | 3 POINT PIN |
| 9 | 48-20-0060 | 1 | 3 POINT PIN |
| 10 | NC01-69-1100 | 3 | LINCH PIN 3/8" |
| 11 | NC01-63-0026 | 3 | COTTER PIN ZC 5/32" X 3" |
| 12 | 83-50-5035 | 1 | STAND |
| 13 | NC01-69-1306 | 1 | LOCKING PIN 3/8" X 2 1/2" LG |
| 14 | 49-20-0210 | 2 | ADJUSTABLE SKATE PIN |
| 15 | 83-57-5510 | 1 | FRAME |
| 16 | NC13-15-0326 | 1 | RUBBER |
| 17 | 81-57-0250 | 1 | RUBBER REINFORCEMENT |
| 18 | NC01-17-0060 | 7 | HEX. BOLT GR2 ZINC 5/16-18 X 1" |
| 19 | NC01-93-0010 | 7 | LOCK NUT ZINC 5/16-18 |
| 20 | NC01-17-0396 | 6 | HEX. BOLT GR2 ZINC 5/8-11 X 2" |
| 21 | NC02-07-0022 | 6 | HEX. NUT ZINC 5/8-11 |



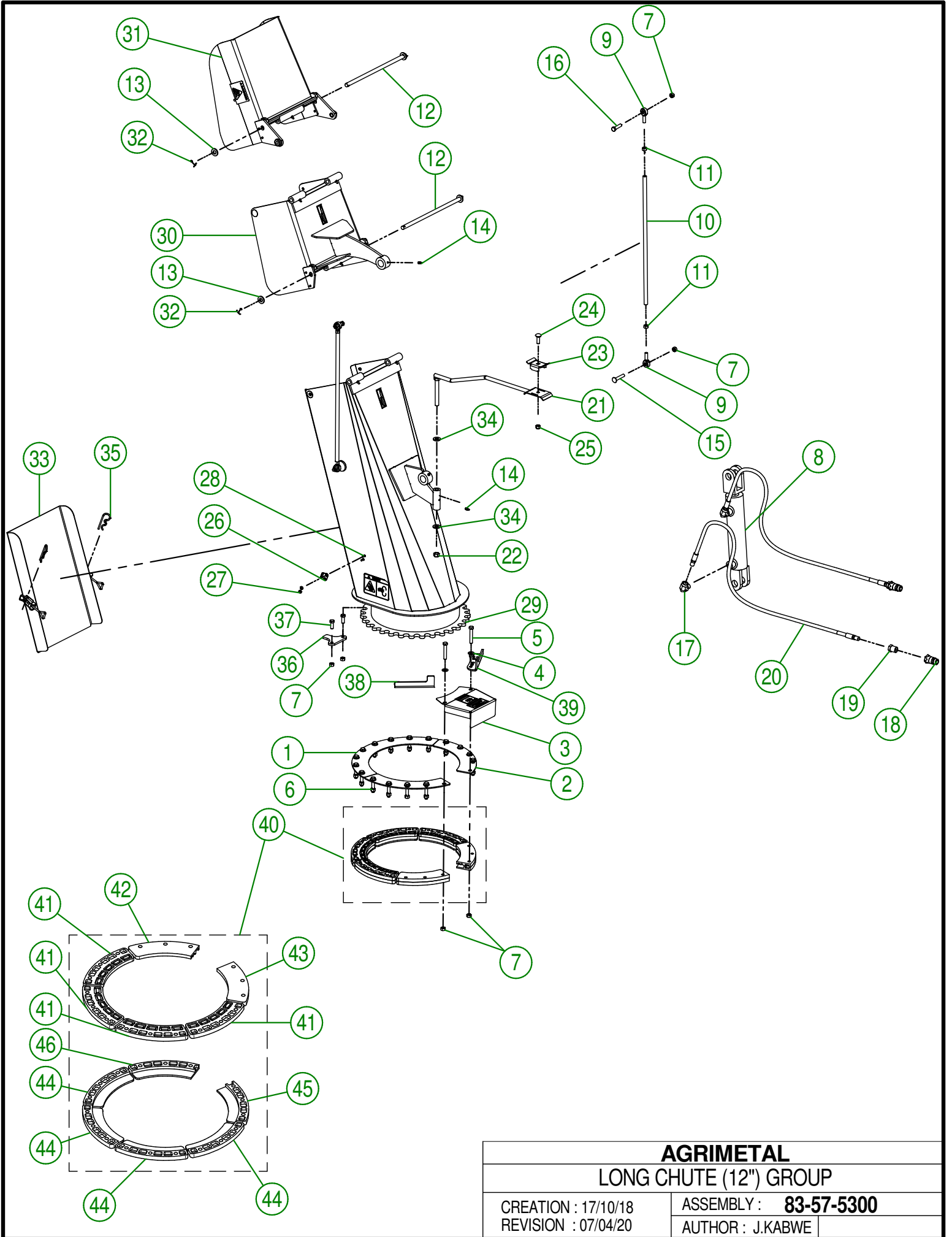
AGRIMETAL
FRAME GROUP

CREATION : 15/10/18
REVISION : 07/02/19

ASSEMBLY : **83-57-5500**

AUTHOR : J.KABWE

Page 9 de 24



AGRIMETAL

LONG CHUTE (12'') GROUP

CREATION : 17/10/18
 REVISION : 07/04/20

ASSEMBLY : **83-57-5300**
 AUTHOR : J.KABWE

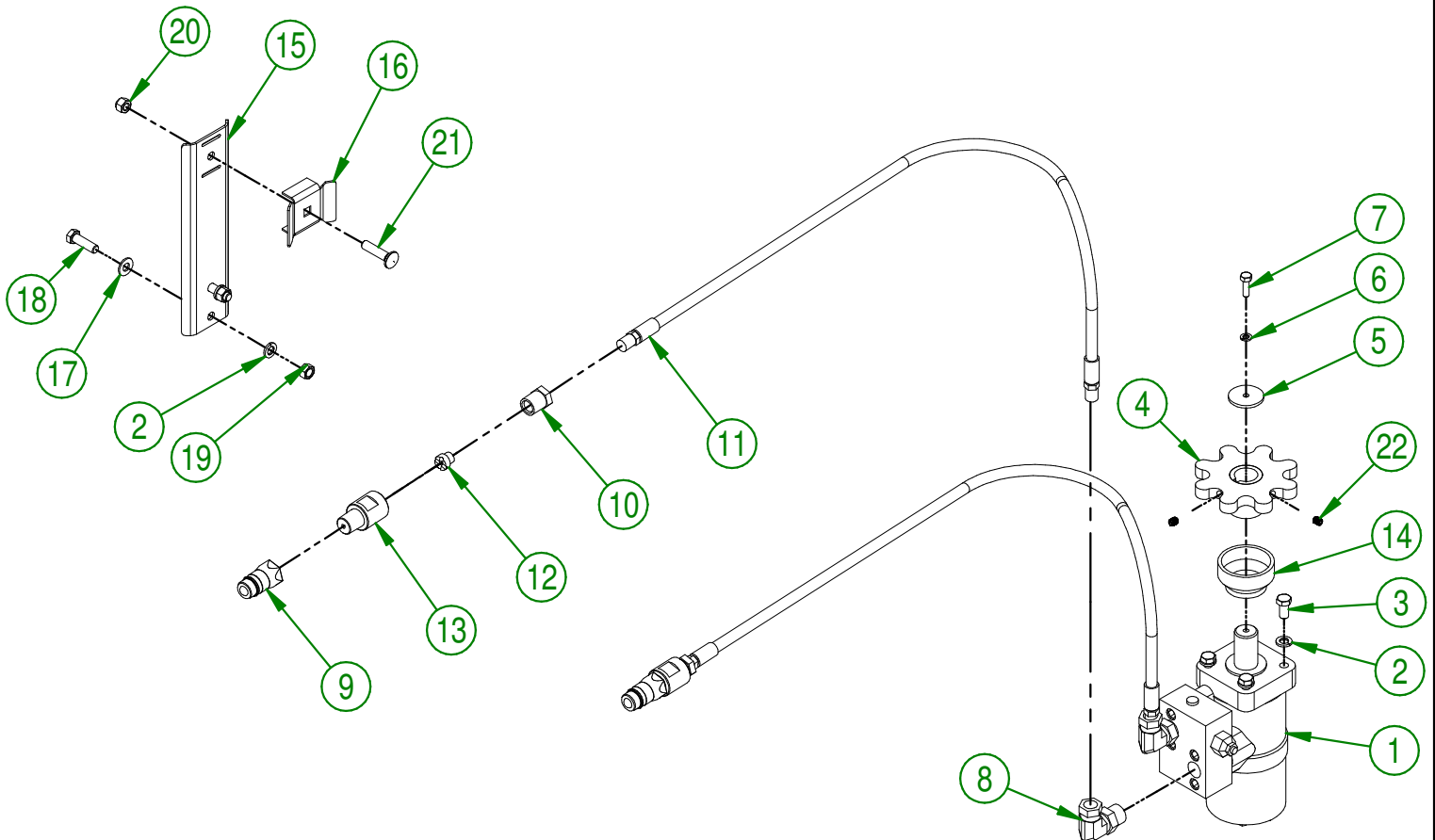
83-57-5300

| # | PART # | Qty | TITLE |
|----|--------------|-----|---|
| 1 | 80-01-1015 | 1 | BRACE |
| 2 | 80-01-1010 | 2 | BRACE |
| 3 | 80-57-0550 | 1 | SPROCKET GUARD GROUP "STICKER INCLUDED" |
| 4 | 01-01-2485 | 18 | FLAT WASHER 14 GA X 13/16"OD X 25/64" ID |
| 5 | NC01-17-0119 | 4 | HEX. BOLT GR2 ZINC 3/8-16 X 2 1/4" |
| 6 | NC01-17-0118 | 14 | HEX. BOLT GR2 ZINC 3/8-16 X 2" |
| 7 | NC01-93-0011 | 24 | LOCK NUT 3/8-16 |
| 8 | NC13-45-0209 | 1 | HYDRAULIC CYLINDER 6" |
| 9 | NC01-67-0304 | 4 | ROD END 3/8-24 |
| 10 | 48-13-0600 | 2 | CHUTE ROD (DOUBLE) |
| 11 | NC02-10-0018 | 4 | NUT 3/8-24 |
| 12 | 80-20-0260 | 2 | PIVOT |
| 13 | NC02-25-0011 | 4 | WASHER SAE ZINC 17/32 ID |
| 14 | NC01-69-0785 | 9 | STRAIGHT GREASE FITTING 1/4-28 |
| 15 | NC01-07-0113 | 2 | CARR. BOLT GR5 ZINC 3/8-16 X 2" LG |
| 16 | NC01-25-0116 | 2 | HEX. BOLT GR5 ZINC 3/8-16 X 1 1/2" |
| 17 | NC13-45-0038 | 2 | ELBOW 90 3/8 FEM. NPT X 3/8 MALE NPT |
| 18 | NC13-45-0369 | 2 | QUICK COUPLER 1/2-14 NPTF |
| 19 | NC13-45-0153 | 2 | HEX. REDUCER 1/4 NPT X 1/2 NPT |
| 20 | NC17-02-0347 | 2 | HYDRAULIC HOSE (111" LG) |
| 21 | 48-50-1030 | 1 | HYDRAULIC HOSE SUPPORT |
| 22 | NC01-96-0014 | 1 | NYLON-INSERT LOCKNUT ZINC 1/2-13 |
| 23 | 48-01-7530 | 1 | HYDRAULIC HOSE SUPPORT |
| 24 | NC01-04-0110 | 1 | CARR. BOLT GR2 ZINC 3/8-16 X 1 1/4" |
| 25 | NC01-96-0011 | 1 | NYLON NUT 3/8-16 |
| 26 | NC01-63-0052 | 2 | ADJUSTABLE LATCH (STRIKE) |
| 27 | NC01-96-0006 | 4 | NYLON NUT ZINC 10-24 |
| 28 | NC02-40-0080 | 4 | MACHINE SCREWS SQUARE SOCKET #10-24 X 1/2" LG |
| 29 | 84-57-1305 | 1 | CHUTE (BOTTOM SECTION) |
| 30 | 80-57-0312 | 1 | CHUTE (MIDDLE SECTION) |
| 31 | 80-57-0322 | 1 | CHUTE (TOP SECTION) |
| 32 | NC01-69-0139 | 4 | COTTER PIN ZINC 1/8" X 3/4" |
| 33 | 84-57-1310 | 1 | CHUTE DOOR |
| 34 | 01-01-0925 | 2 | WASHER |
| 35 | NC01-63-0026 | 2 | COTTER PIN ZC 5/32" X 3" |
| 36 | 84-04-0170 | 1 | STOPPER |
| 37 | NC01-17-0114 | 2 | HEX. BOLT GR2 ZINC 3/8-16 X 1" |
| 38 | 84-04-0175 | 1 | ADJUSTABLE STOPPER |
| 39 | 84-04-0177 | 1 | ADJUSTABLE STOPPER |
| 40 | 84-57-1330 | 1 | GUIDE CHUTE GROUP |

84-57-1330

| # | PART # | Qty | TITLE |
|----|--------------|-----|---------------------|
| 41 | NC17-46-0028 | 4 | CHUTE GUIDE (TOP) |
| 42 | 80-42-0320 | 1 | CHUTE GUIDE (TOP) |
| 43 | 80-42-0315 | 1 | CHUTE GUIDE (TOP) |
| 44 | NC17-46-0027 | 4 | CHUTE GUIDE (UNDER) |
| 45 | 80-42-0305 | 1 | CHUTE GUIDE (UNDER) |
| 46 | 80-42-0310 | 1 | CHUTE GUIDE (UNDER) |

| # | PART # | Qty | TITLE |
|----|--------------|-----|--|
| 1 | NCI4-45-0147 | 1 | HYDRAULIC MOTOR |
| 2 | NC02-32-0012 | 6 | LOCK WASHER ZINC 3/8" |
| 3 | NC01-17-0112 | 4 | HEX. BOLT GR2 ZINC 3/8-16 X 3/4" |
| 4 | 48-50-1025 | 1 | HYDRAULIC ENGINE SPROCKET |
| 5 | 39-01-1105 | 1 | WASHER |
| 6 | NC02-32-0010 | 1 | LOCK WASHER ZINC 1/4" |
| 7 | NC01-33-0005 | 1 | HEX. BOLT GR8 ZINC 1/4-20 X 7/8" |
| 8 | NCI3-45-0072 | 2 | ELBOW 90 7/8-14 MALE SAE10 O-RING X 3/8 FEM. TOUR. NPT |
| 9 | NCI3-45-0369 | 2 | QUICK COUPLER 1/2-14 NPTF |
| 10 | 80-45-0000 | 2 | HEX. REDUCER 1/4 NPT X 1/2 NPT |
| 11 | NCI7-02-0406 | 2 | HYDRAULIC HOSE (87" LG) |
| 12 | 80-13-0100 | 2 | HYDRAULIC RESTRICTOR |
| 13 | 80-21-0055 | 2 | HYDRAULIC RESTRICTOR BUSHING |
| 14 | NCI7-46-0031 | 1 | HYDRAULIC MOTOR BUSHING |
| 15 | 81-01-7600 | 1 | HYDRAULIC HOSE SUPPORT |
| 16 | 80-01-0020 | 1 | HYDRAULIC HOSE SUPPORT |
| 17 | 01-01-2485 | 2 | FLAT WASHER 14 GA X 13/16"OD X 25/64" ID |
| 18 | NC01-17-0115 | 2 | HEX. BOLT GR2 ZINC 3/8-16 X 1 1/4" |
| 19 | NC02-07-0018 | 2 | HEX. NUT ZINC 3/8-16 |
| 20 | NC01-96-0011 | 1 | NYLON NUT 3/8-16 |
| 21 | NC01-04-0111 | 1 | CARR. BOLT GR2 ZINC 3/8-16 X 1 1/2" |
| 22 | NC02-44-0103 | 2 | SET SCREW 5/16-18 X 3/8" |

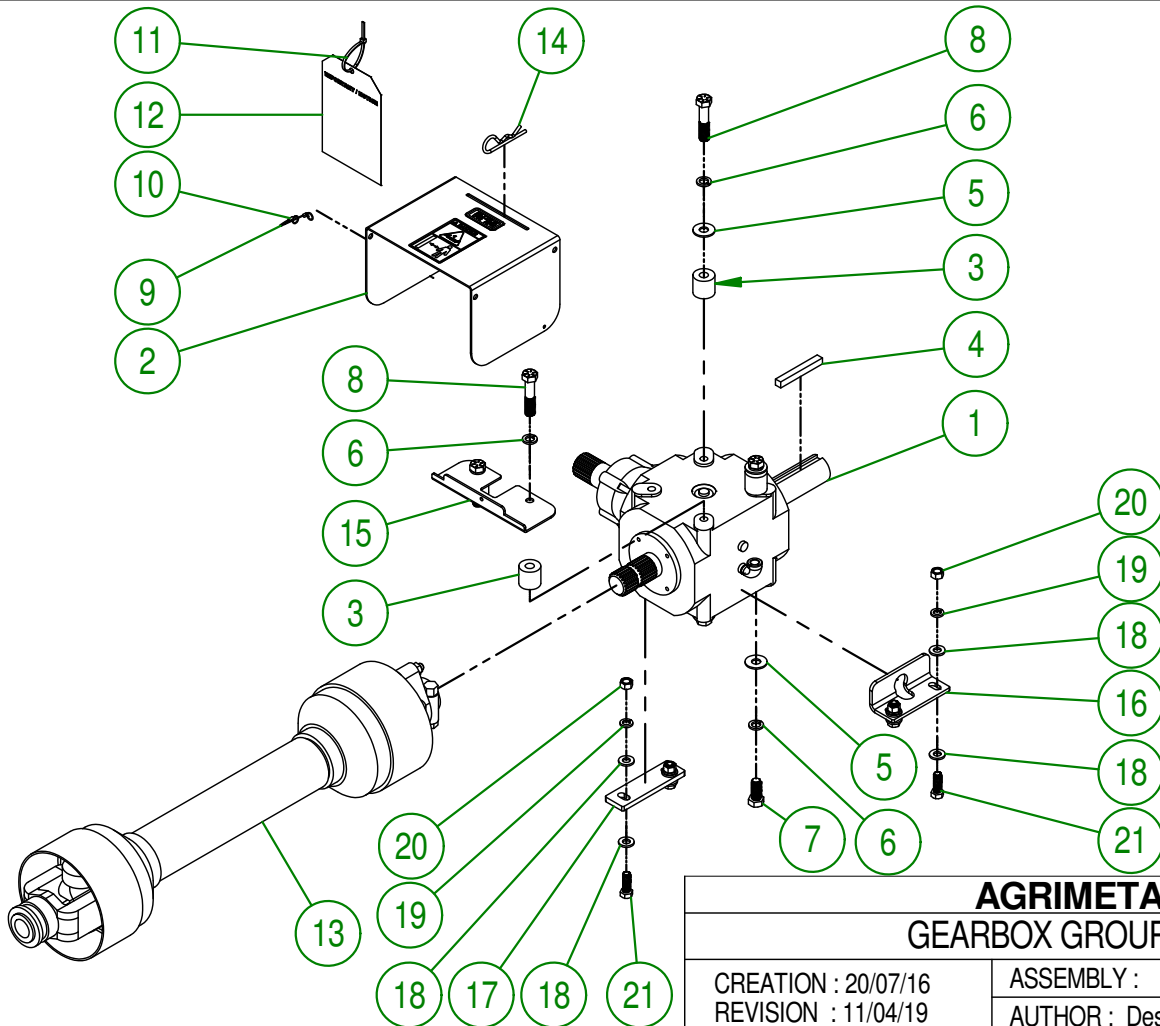


AGRIMETAL
HYDRAULIC MOTOR GROUP

CREATION : 05/12/17
REVISION : 19/01/21

ASSEMBLY : **81-57-5045**
AUTHOR : F.HÉLIE

| # | PART # | Qty | TITLE |
|----|--------------|-----|---|
| 1 | 83-55-0010 | 1 | GEAR BOX ASSY. |
| 2 | 81-57-0040 | 1 | PTO GUARD |
| 3 | 83-21-0000 | 4 | TRANSMISSION BUSHING |
| 4 | 83-41-0900 | 1 | IMPELLER KEY |
| 5 | NC02-22-0013 | 6 | WASHER ZINC 5/8 ID X 1 1/2 OD |
| 6 | NC02-32-0016 | 8 | LOCK WASHER ZINC 5/8" |
| 7 | NC01-33-0394 | 4 | HEX. BOLT GR8 NC ZINC 5/8-11 X 1 1/2" LG. |
| 8 | NC01-33-0400 | 4 | CAP SCREW GR8 NC ZINC 5/8-11 X 3" LG |
| 9 | 80-41-0135 | 1 | PTO GUARD STEEL CABLE |
| 10 | NC01-64-0005 | 2 | OVAL SLEEVE (ALUMINUM) |
| 11 | NCI3-25-0019 | 1 | BLACK TIE RAP |
| 12 | NCI3-50-0110 | 1 | IMPORTANT/NOTICE PTO POSTER |
| 13 | 83-34-0030 | 1 | PTO SHAFT T90 |
| 14 | NC01-63-0027 | 1 | HAIRPIN COTTER |
| 15 | 83-01-0170 | 1 | PTO GUARD SUPPORT |
| 16 | 80-04-0485 | 1 | GEARBOX BRACE |
| 17 | 80-04-0480 | 1 | GEARBOX BRACE |
| 18 | NC02-25-0011 | 8 | WASHER SAE ZINC 17/32 ID |
| 19 | NC02-32-0014 | 4 | LOCK WASHER ZINC 1/2" |
| 20 | NC02-07-0020 | 4 | HEX. NUT ZINC 1/2-13 |
| 21 | NC01-33-0249 | 4 | CAP SCREW GR8 NC ZINC 1/2-13 X 1 1/2" LG |



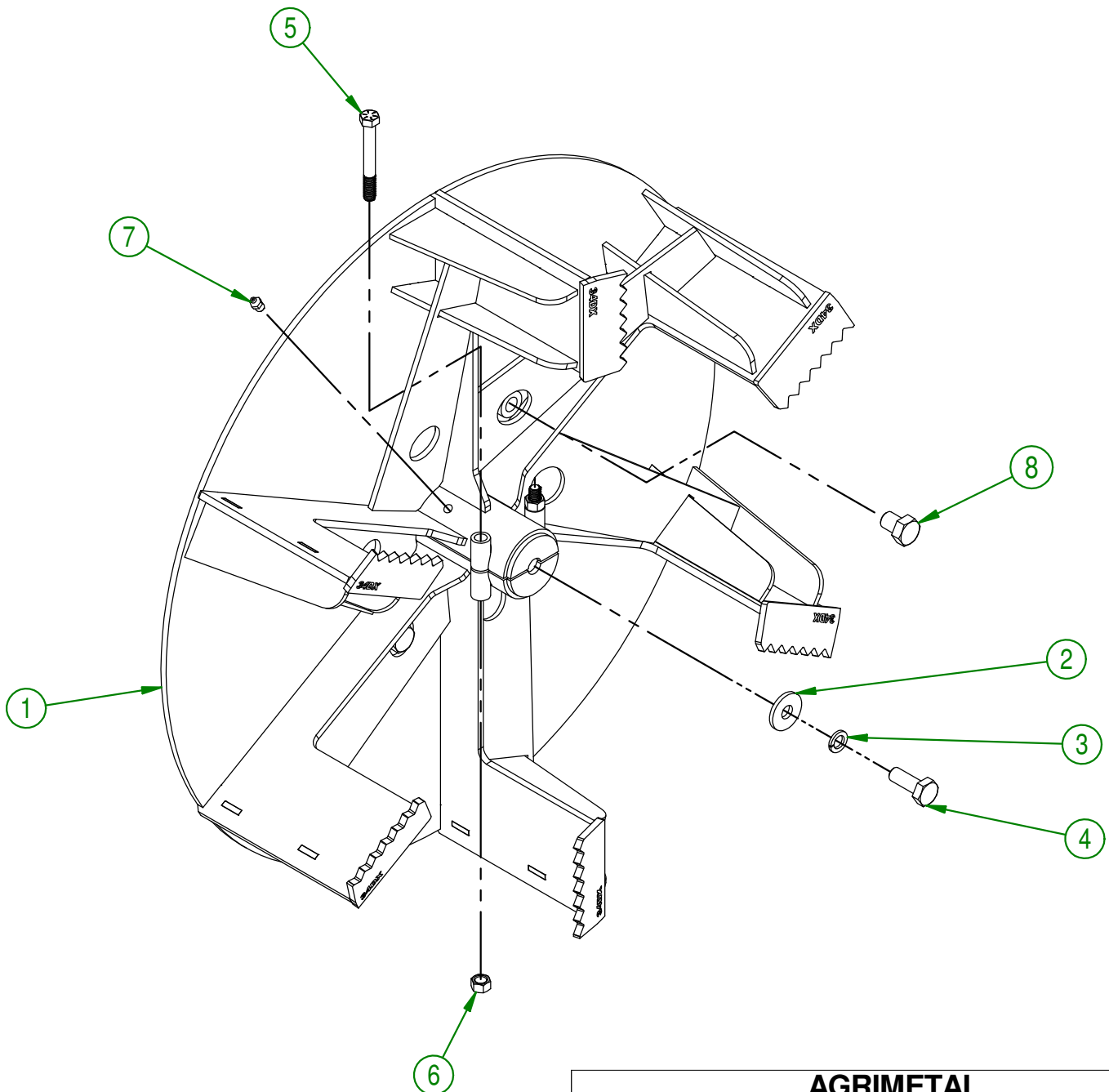
AGRIMETAL
GEARBOX GROUPING

CREATION : 20/07/16
REVISION : 11/04/19

ASSEMBLY : **83-57-0430**

AUTHOR : Dessin2 Page 13 de 24

| # | # DE PIÈCE | QTÉ | TITRE |
|---|--------------|-----|--|
| 1 | 83-50-5000 | 1 | PROPULSEUR |
| 2 | 80-04-0185 | 1 | RONDELLE PLATE |
| 3 | NC02-32-0016 | 1 | RONDELLE RESSORT ZINC 5/8" |
| 4 | NC01-25-0395 | 1 | BOULON HEX. GR5 NC ZINC 5/8-11 X 1 3/4" |
| 5 | NC01-37-0259 | 2 | BOULON HEX. GR8 NF ZINC 1/2-20 X 4" LG |
| 6 | NC01-94-0013 | 2 | ÉCROU HEX. BLOC ACIER NF ZINC 1/2-20 |
| 7 | NC01-69-0791 | 1 | GRAISSEUR HYDRAULIQUE 1/8 NPT LONG X DROIT |
| 8 | NC01-21-0463 | 2 | BOULON HEX. GR2 NF ZINC 3/4-16 X 1" |

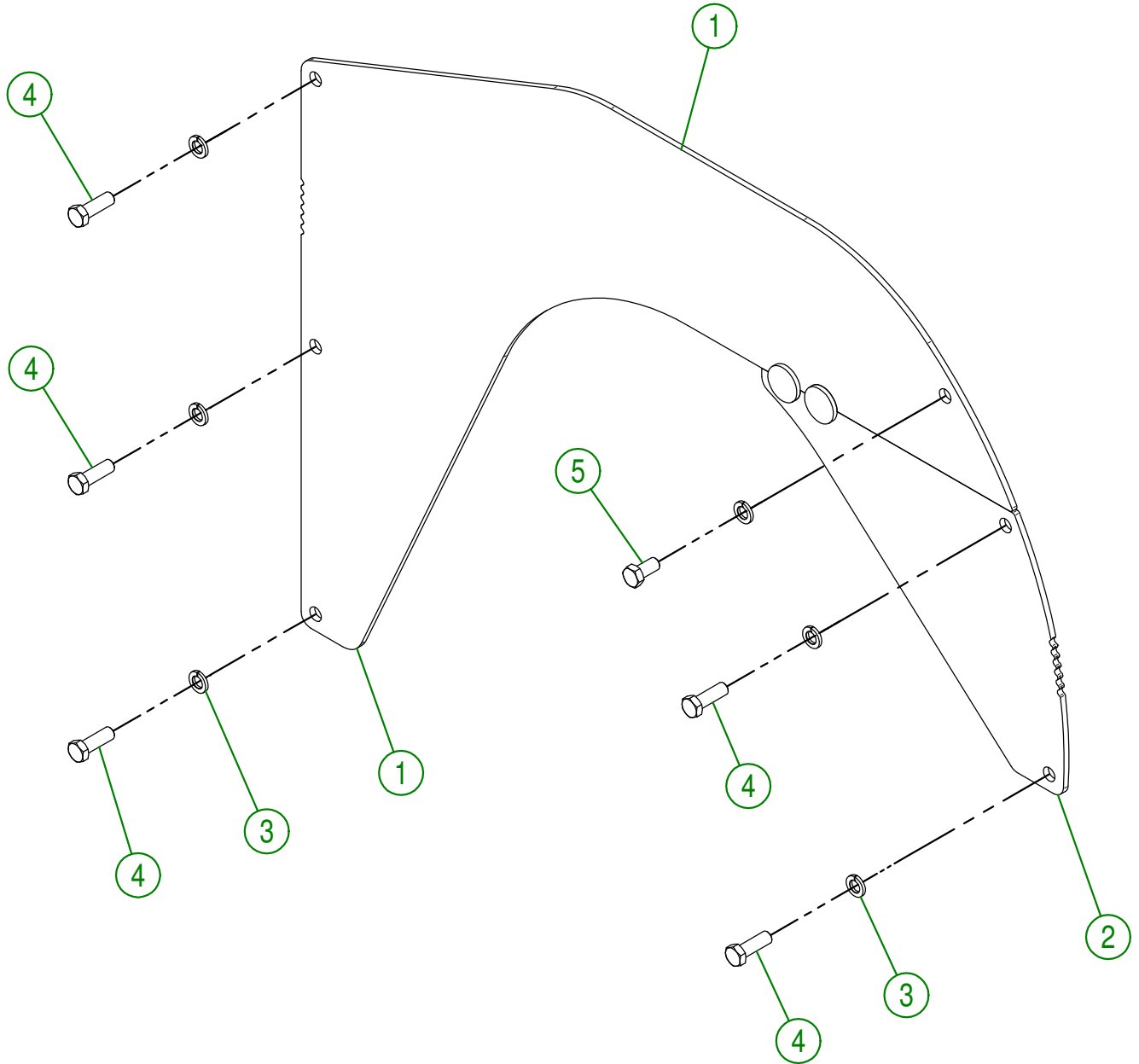
**AGRIMETAL****REGROUPEMENT DE PROPULSEUR**

CREATION : 16/05/19
 REVISION : 06/11/19

ASSEMBLY : **83-57-5025**

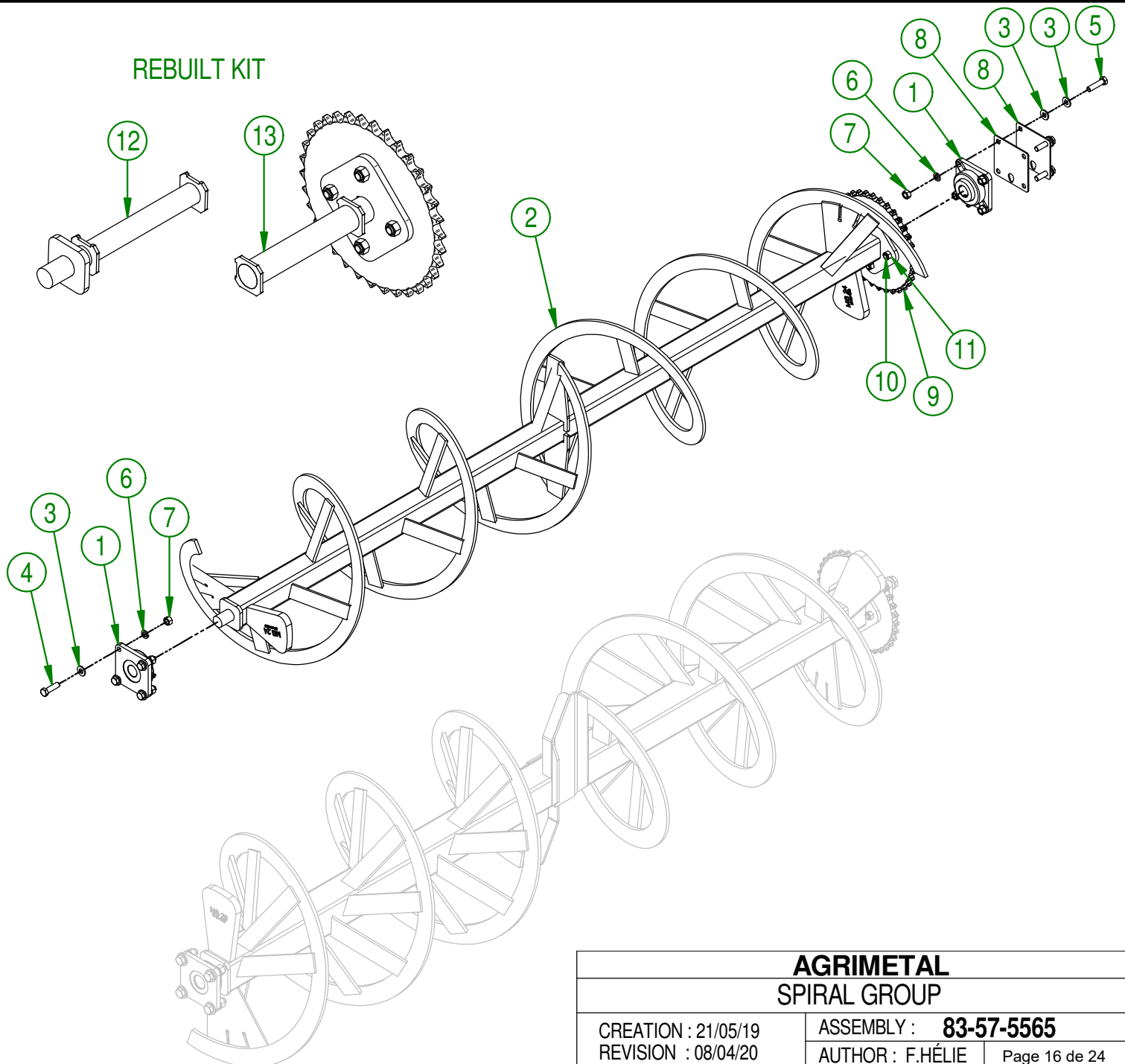
AUTHOR : F.HÉLIE Page 14 de 24

| # | PART # | Qty | TITLE |
|---|--------------|-----|---------------------------------------|
| 1 | 83-50-5025 | 1 | LEFT SNOW GUARD |
| 2 | 83-50-5030 | 1 | RIGHT SNOW GUARD |
| 3 | NC02-32-0014 | 6 | LOCK WASHER ZINC 1/2" |
| 4 | NC01-25-0249 | 5 | HEX. BOLT GR5 ZINC 1/2-13 X 1 1/2" LG |
| 5 | NC01-25-0247 | 1 | HEX. BOLT GR5 ZINC 1/2-13 X 1" LG |



| | |
|-------------------------|---------------------------------|
| AGRIMETAL | |
| SNOW GUARD GROUP | |
| CREATION : 28/05/18 | ASSEMBLY : 83-57-5010 |
| REVISION : 17/10/18 | AUTHOR : J. Houle Page 15 de 24 |

| # | PART # | Qty | TITLE |
|----|--------------|-----|------------------------------------|
| 1 | NCI4-75-0160 | 2 | FLANGE BEARING UCF207-20 1 1/4" ID |
| 2 | 83-50-5550 | 1 | 17" SPIRAL |
| 3 | NC02-25-0011 | 12 | WASHER SAE ZINC 17/32 ID |
| 4 | NC01-17-0250 | 4 | HEX. BOLT GR2 ZINC 1/2-13 X 1 3/4" |
| 5 | NC01-17-0251 | 4 | HEX. BOLT GR2 ZINC 1/2-13 X 2" |
| 6 | NC02-32-0014 | 8 | LOCK WASHER ZINC 1/2" |
| 7 | NC02-07-0020 | 8 | HEX. NUT ZINC 1/2-13 |
| 8 | 80-01-1525 | 2 | SPIRAL SHIM |
| 9 | NCI4-55-0275 | 1 | 80A34 SPROCKET |
| 10 | NC01-29-0249 | 4 | HEX. BOLT GR5 ZINC 1/2-20 X 1 1/2" |
| 11 | NC01-94-0013 | 4 | LOCK NUT 1/2-20 |
| 12 | 82-51-0085 | 1 | LEFT SPIRAL SHAFT (ASSEMBLY) |
| 13 | 83-51-5090 | 1 | RIGHT SPIRAL SHAFT (ASSEMBLY) |



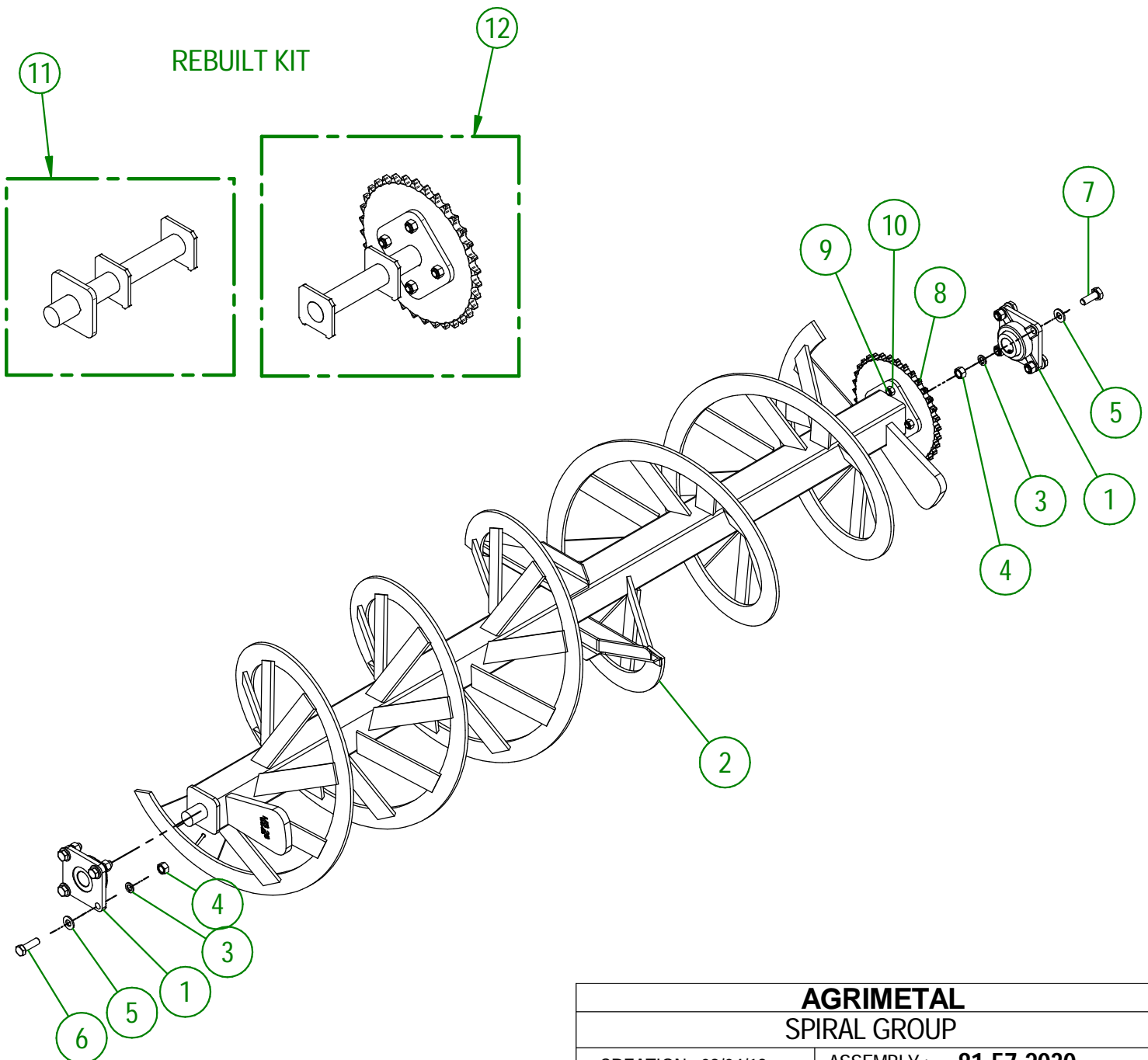
AGRIMETAL
SPIRAL GROUP

CREATION : 21/05/19
REVISION : 08/04/20

ASSEMBLY : **83-57-5565**

AUTHOR : F.HÉLIE | Page 16 de 24

| # | PART # | Qty | TITLE |
|----|--------------|-----|---------------------------------------|
| 1 | NC14-75-0161 | 2 | FLANGE BEARING UCF 208-24 1 1/2" ID |
| 2 | 81-50-2030 | 1 | SPIRAL |
| 3 | NC02-32-0016 | 8 | LOCK WASHER ZINC 5/8" |
| 4 | NC02-07-0022 | 8 | HEX. NUT ZINC 5/8-11 |
| 5 | NC02-25-0013 | 8 | WASHER ZINC SAE ZINC 21/32 ID |
| 6 | NC01-17-0396 | 4 | HEX. BOLT GR2 ZINC 5/8-11 X 2" |
| 7 | NC01-17-0395 | 4 | HEX. BOLT GR2 ZINC 5/8-11 X 1 3/4" |
| 8 | NC14-5-0275 | 1 | SPROCKET 08A34 XI 1/2" |
| 9 | NC01-29-0249 | 4 | HEX. BOLT GR2 NC ZINC 1/2-20 X 1 1/2" |
| 10 | NC01-94-0013 | 4 | HEX. LOCK NUT NF ZINC 1/2-20 |
| 11 | 81-51-0085 | 1 | SHAFT OF THE SPIRAL |
| 12 | 81-50-0150 | 1 | SHAFT OF THE SPIRAL (SPROCKET) |



AGRIMETAL
SPIRAL GROUP

CREATION : 09/04/18
REVISION : 16/02/23

ASSEMBLY : **81-57-2030**
AUTHOR : J.KABWE

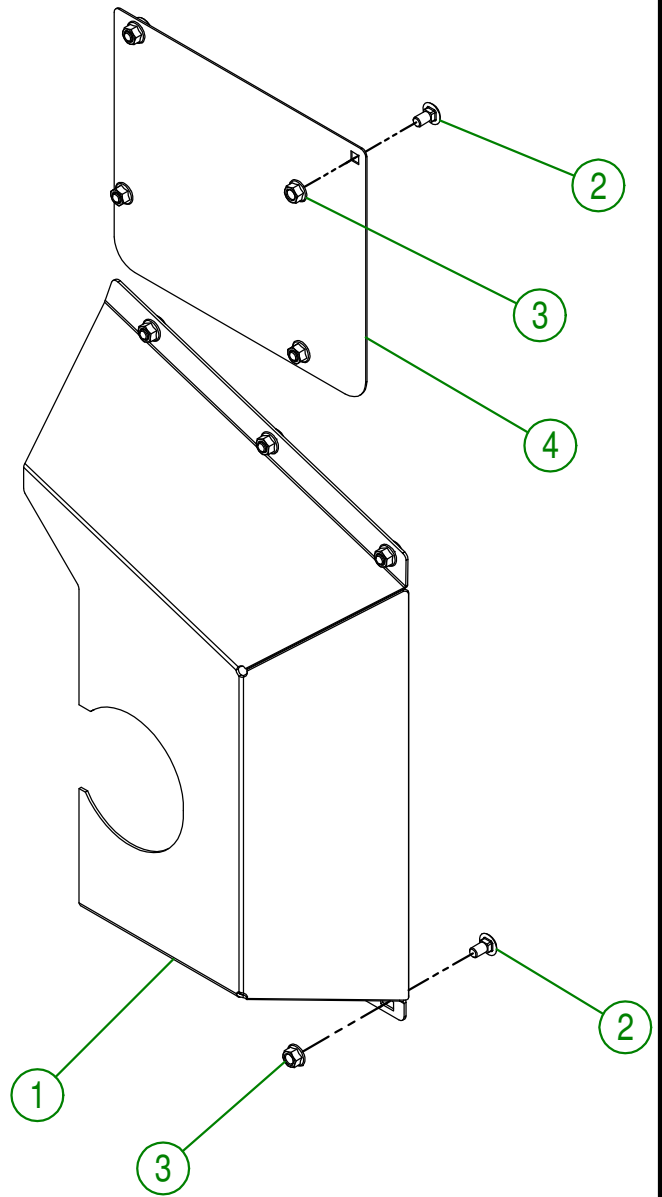
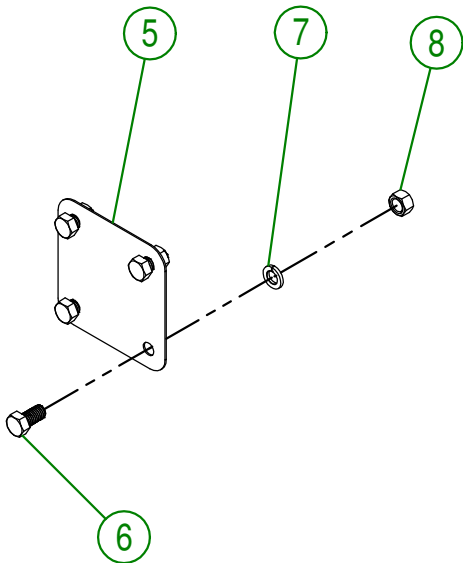
83-57-5505

| # | PART # | Qty | TITLE |
|----|--------------|-----|--|
| 1 | 81-04-0010 | 1 | BEARING SUPPORT |
| 2 | NC14-75-0025 | 1 | FLANGE BEARING 4 HOLES UCF 208-24 X 1 1/2" |
| 3 | 81-21-0010 | 1 | SPIRAL DRIVE TRAIN BUSHING |
| 4 | NC14-55-0276 | 1 | 80B12H SPROCKET |
| 5 | 83-50-5565 | 1 | SPIRAL DRIVE TRAIN |
| 6 | 81-55-0400 | 1 | CHAIN TENSIONER GROUP |
| 7 | 83-37-0000 | 1 | #80 HD CHAIN |
| 8 | 83-50-5070 | 1 | CHAIN TENSIONER THREADED ROD |
| 9 | NC02-25-0011 | 2 | WASHER SAE ZINC 17/32 ID |
| 10 | NC13-86-0341 | 1 | GREEN SPRING 1/2" ID X 1" OD X 6" LG |
| 11 | NC01-96-0014 | 1 | NYLON-INSERT LOCKNUT ZINC 1/2-13 |
| 12 | 80-42-0110 | 1 | THREADED ROD CAP |
| 13 | 81-04-0135 | 1 | WASHER 2.015" DIA. X 49/64" |
| 14 | NC02-32-0017 | 1 | LOCK WASHER ZINC 3/4" |
| 15 | NC01-25-0467 | 1 | HEX. BOLT GR2 ZINC 3/4-10 X 2 " LG. |
| 16 | 01-01-2485 | 8 | FLAT WASHER 14 GA X 13/16"OD X 25/64" ID |
| 17 | NC01-17-0114 | 8 | HEX. BOLT GR2 ZINC 3/8-16 X 1" |
| 18 | NC02-32-0012 | 8 | LOCK WASHER ZINC 3/8" |
| 19 | NC02-07-0018 | 8 | HEX. NUT ZINC 3/8-16 |
| 20 | NC01-17-0395 | 4 | HEX. BOLT GR2 ZINC 5/8-11 X 1 3/4" |
| 21 | NC02-32-0016 | 4 | LOCK WASHER ZINC 5/8" |
| 22 | NC02-07-0022 | 4 | HEX. NUT ZINC 5/8-11 |
| 23 | NC01-25-0116 | 1 | HEX. BOLT GR5 ZINC 3/8-16 X 1 1/2" |
| 24 | NC01-93-0011 | 1 | LOCK NUT 3/8-16 |
| 25 | NC01-69-0785 | 1 | STRAIGHT GREASE FITTING 1/4-28 |
| 26 | NC01-69-0787 | 1 | GREASE FITTING STRAIGHT 1/4-28 X 90 |

81-55-0400

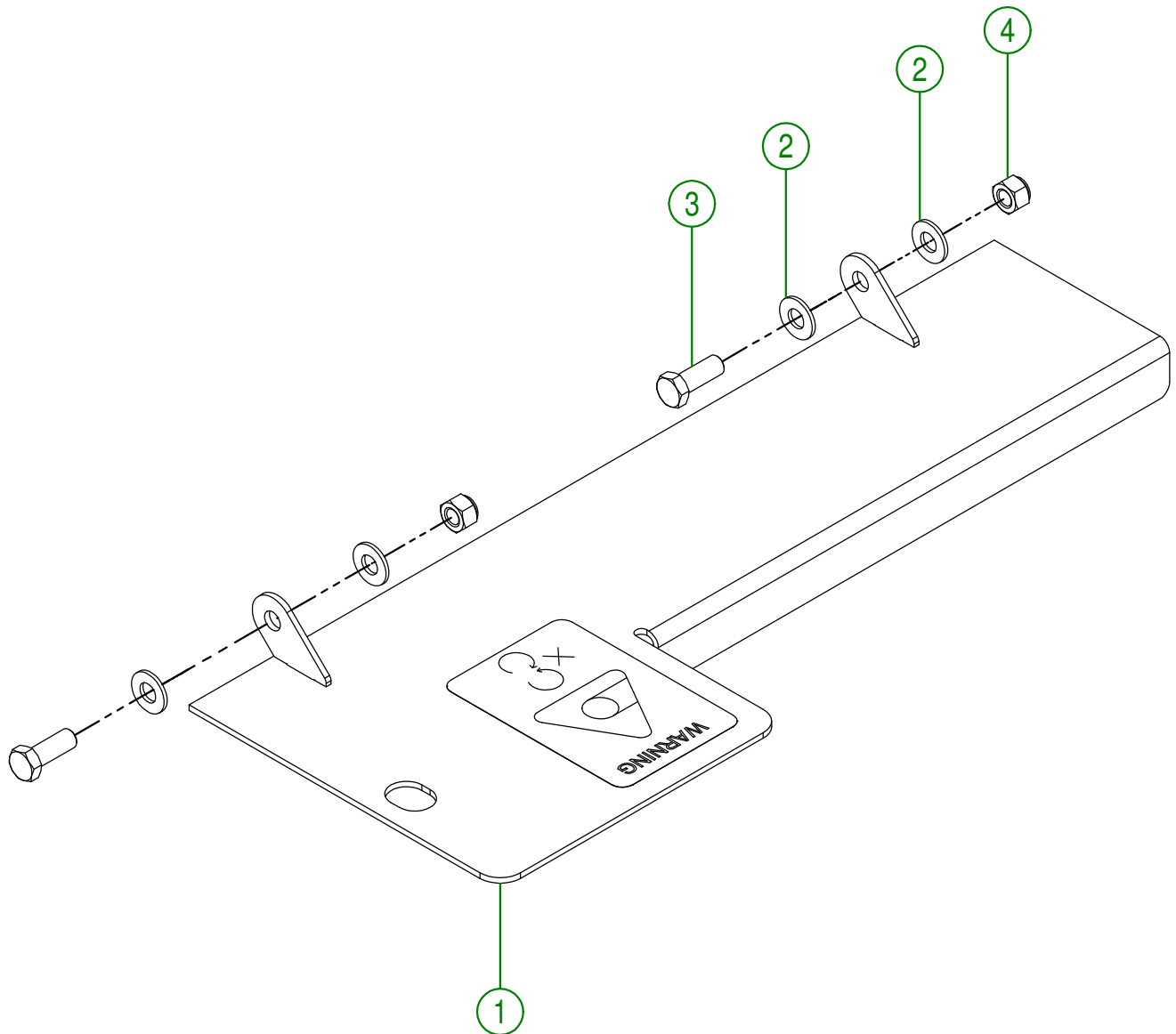
| # | PART # | Qty | TITLE |
|----|--------------|-----|---------------------------------------|
| 27 | 88-13-0005 | 1 | CHAIN TENSIONER BUSHING |
| 28 | 81-50-5005 | 1 | CHAIN TENSIONER |
| 29 | 81-21-0020 | 2 | CHAIN TENSIONER BUSHING |
| 30 | NC14-55-0292 | 2 | 80C11H SPROCKET |
| 31 | NC01-17-0398 | 2 | HEX. BOLT GR2 NC ZINC 5/8-11 X 2 1/2" |
| 32 | NC02-22-0013 | 2 | WASHER ZINC 5/8 ID X 1 1/2 OD |
| 33 | NC02-32-0016 | 2 | LOCK WASHER ZINC 5/8" |
| 34 | NC02-10-0022 | 2 | HEX. NUT ZINC 5/8-18 |
| 35 | NC01-69-0786 | 1 | GREASE FITTING 1/4-28 X 45 |

| # | PART # | Qty | TITLE |
|---|--------------|-----|-----------------------------------|
| 1 | 83-50-5010 | 1 | CHAIN GUARD |
| 2 | NC01-04-0107 | 10 | CARR. BOLT GR2 ZINC 3/8-16 X 3/4" |
| 3 | NC02-14-0019 | 10 | FLANGE NUT HEX. NC 3/8-16 GR. B |
| 4 | 83-01-0085 | 1 | GUARD OF HOLE |
| 5 | 83-01-0087 | 1 | PLATE |
| 6 | NC01-17-0247 | 4 | HEX. BOLT GR2 ZINC 1/2-13 X 1" |
| 7 | NC02-32-0014 | 4 | LOCK WASHER ZINC 1/2" |
| 8 | NC02-07-0020 | 4 | HEX. NUT ZINC 1/2-13 |



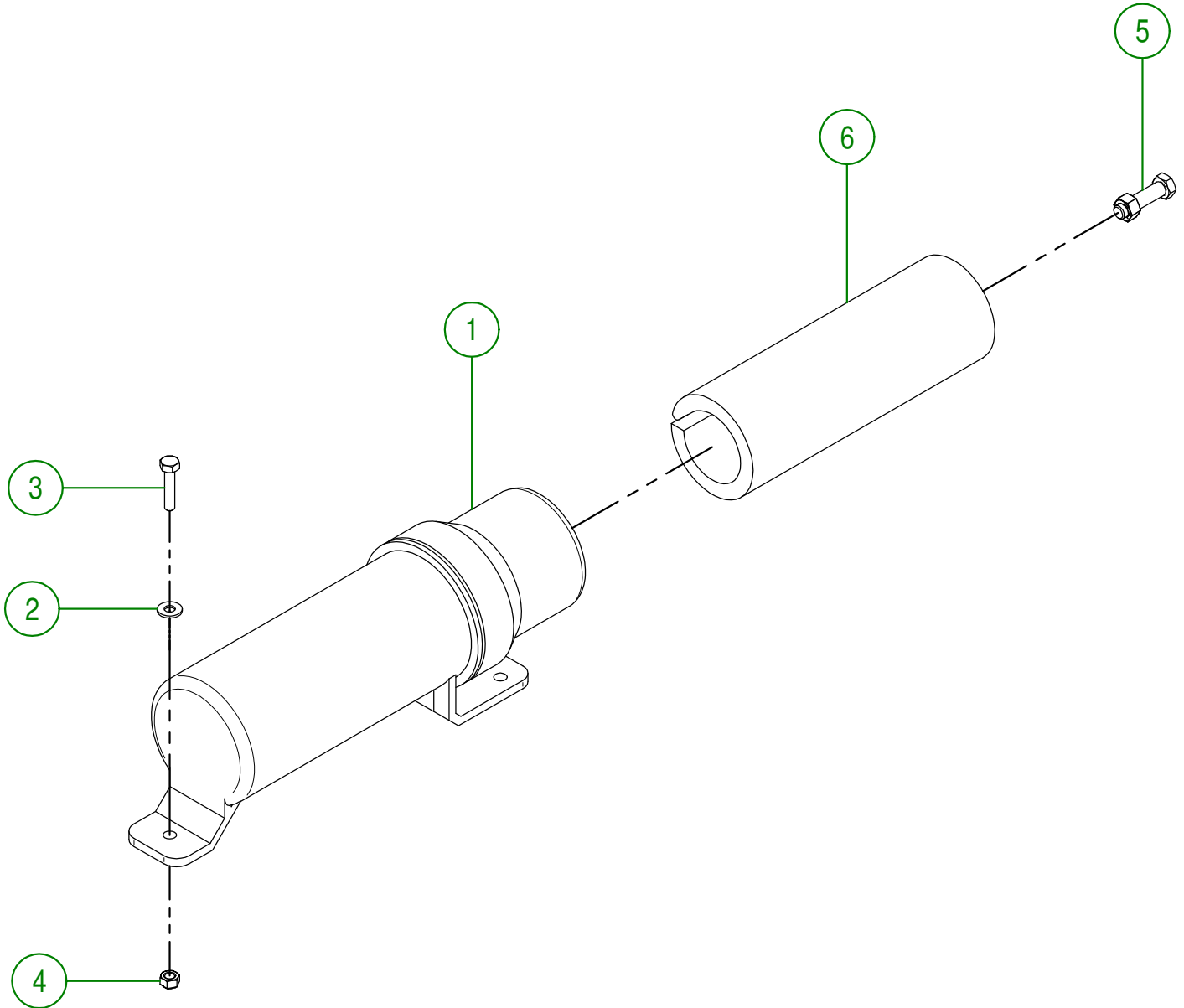
| | |
|--------------------------|---------------------------------|
| AGRIMETAL | |
| CHAIN GUARD GROUP | |
| CREATION : 28/05/18 | ASSEMBLY : 83-57-5020 |
| REVISION : 18/10/18 | AUTHOR : J. Houle Page 20 de 24 |

| # | PART # | Qty | TITLE |
|---|--------------|-----|--|
| 1 | 83-57-5005 | 1 | CHAIN GUARD |
| 2 | 01-01-2485 | 4 | FLAT WASHER 14 GA X 13/16"OD X 25/64" ID |
| 3 | NC01-17-0114 | 2 | HEX. BOLT GR2 ZINC 3/8-16 X 1" |
| 4 | NC01-96-0011 | 2 | NYLON NUT 3/8-16 |

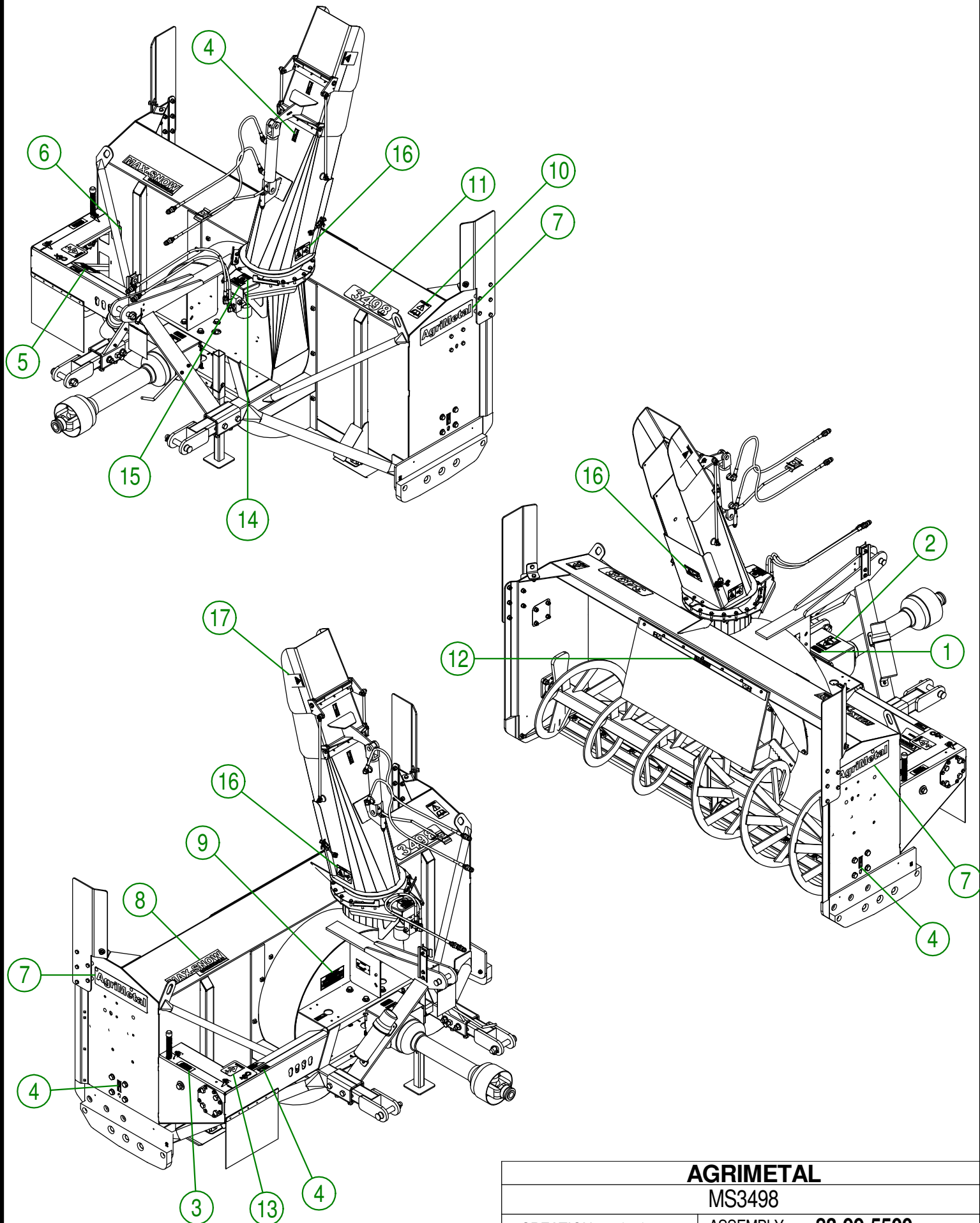


| | |
|--------------------------|------------------------------------|
| AGRIMETAL | |
| CHAIN GUARD GROUP | |
| CREATION : 28/05/18 | ASSEMBLY : 83-57-5015 |
| REVISION : 17/10/18 | AUTHOR : J. Houle Page 21 de 24 |

| # | PART # | Qty | TITLE |
|---|--------------|-----|---------------------------------------|
| 1 | NCI3-30-0237 | 1 | PLASTIC TUBE FOR OPERATOR'S MANUAL |
| 2 | NC02-25-0007 | 2 | WASHER ZINC 0.281 = 9/32 |
| 3 | NC01-17-0007 | 2 | HEX. BOLT GR2 ZINC 1/4-20 X 1 1/4" |
| 4 | NC01-96-0009 | 2 | NYLON-INSERT LOCKNUT ZINC 1/4-20 |
| 5 | 81-57-0030 | 1 | SET OF 6 SHEAR BOLT WITH NUT |
| 6 | 81-98-0521 | 1 | ENGLISH OPERATOR'S MANUAL (MS28 & 30) |



| | |
|-------------------------------------|-----------------------------------|
| AGRIMETAL | |
| OPERATOR'S MANUAL TUBE GROUP | |
| CREATION : 19/07/16 | ASSEMBLY : 81-57-0400 |
| REVISION : 08/05/18 | AUTHOR : J. HOULE Page 22 de 24 |



AGRIMETAL

MS3498

CREATION : 18/10/18
 REVISION : 11/03/19

ASSEMBLY : **83-99-5500**

AUTHOR : J.KABWE Page 23 de 24

| # | PART # | Qty | TITLE |
|----|--------------|-----|--|
| 1 | NC13-33-0005 | 1 | STICKER MAXIMUM 540 RPM |
| 2 | NC13-33-0187 | 1 | STICKER DANGER (PTO AND PERSON) |
| 3 | NC13-33-0248 | 1 | STICKER IMPORTANT 4 1/4 INCHES 110mm |
| 4 | NC13-33-0024 | 6 | STICKER GREASE HERE |
| 5 | NC13-33-0281 | 1 | STICKER SHEAR BOLT |
| 6 | NC13-33-0189 | 1 | STICKER DANGER (PERSON AND CHAIN DRIVE) |
| 7 | NC13-33-0001 | 2 | STICKER AGRIMETAL |
| 8 | NC13-33-0241 | 1 | STICKER MAX-SNOW COMMERCIAL |
| 9 | NC13-33-0317 | 1 | STICKER GREASE DRIVE LINE TELESCOPIC SHAFT |
| 10 | NC13-33-0183 | 1 | STICKER CAUTION OPERATION MANUAL |
| 11 | NC13-33-0321 | 1 | STICKER 3498 |
| 12 | NC13-33-0274 | 1 | STICKER DANGER |
| 13 | NC13-33-0283 | 1 | STICKER DANGER (PERSON AND CHAIN DRIVE) |
| 14 | NC13-33-0326 | 1 | STICKER DANGER (HAND) |
| 15 | NC13-33-0327 | 1 | STICKER END ROTATION ADJUSTMENT |
| 16 | NC13-33-0249 | 3 | STICKER DANGER |
| 17 | NC13-33-0192 | 2 | STICKER (PROJECTION RISK) |