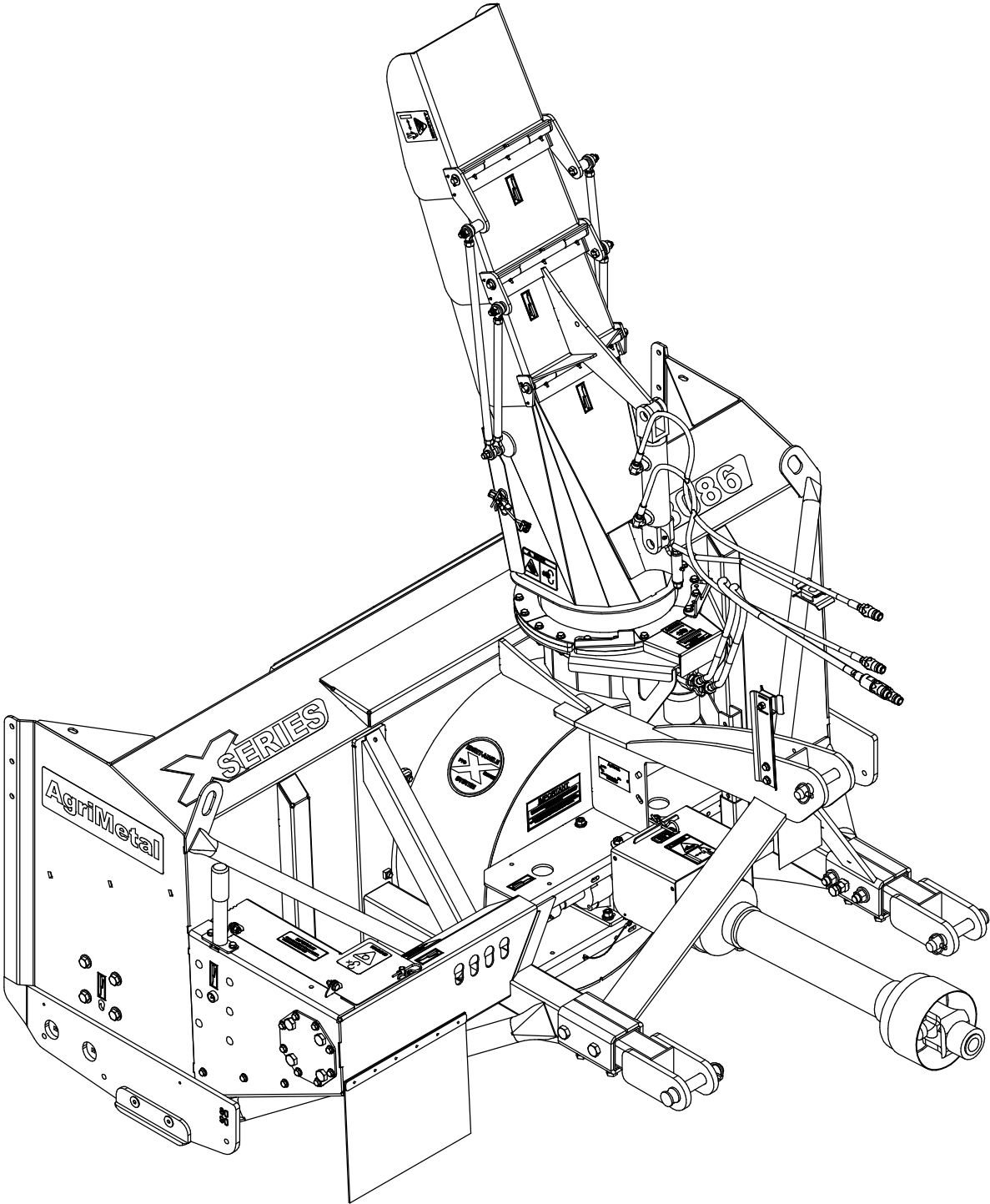


AgriMetal

PARTS LIST



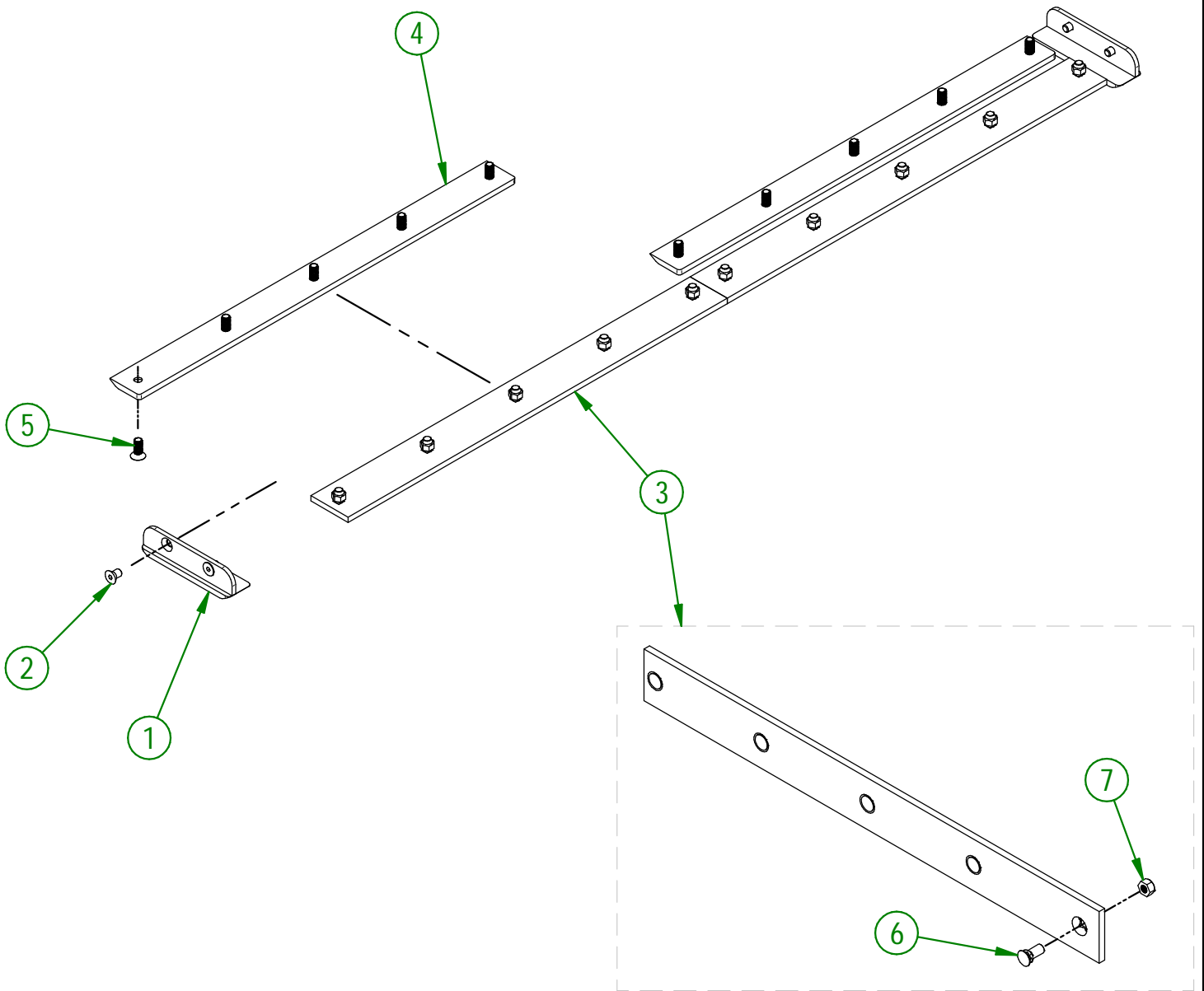
X-8086

102-57-0975

#	PART #	Qty	TITLE
1	80-50-0085	2	LATERAL SKATE (#450 HARDNESS STEEL)
2	NC02-48-0586	4	FLAT HEAD SOCKET CAP SCREW 5/8-11 X 1" LG
3	81-57-0220	2	KNIFE (#450 HARDNESS STEEL) GROUP (BOLTS AND NUTS INCLUDED)
4	102-04-0385	2	SKATE (#450 HARDNESS STEEL)
5	NC02-48-0562	10	FLAT HEAD SOCKET CAP SCREW STAINLESS 5/8-11 X 1 1/2"

81-57-0220

#	PART #	QTY	TITLE
6	NC01-09-0039	5	PLOW BOLT GR5 5/8-11 X 1 1/2" LG
7	NC01-93-0016	5	LOCK NUT ZINC 5/8-11



AGRIMETAL

SET OF KNIVES (#450 HARDNESS STEEL)

CREATION : 21/08/23
REVISION : 25/09/23

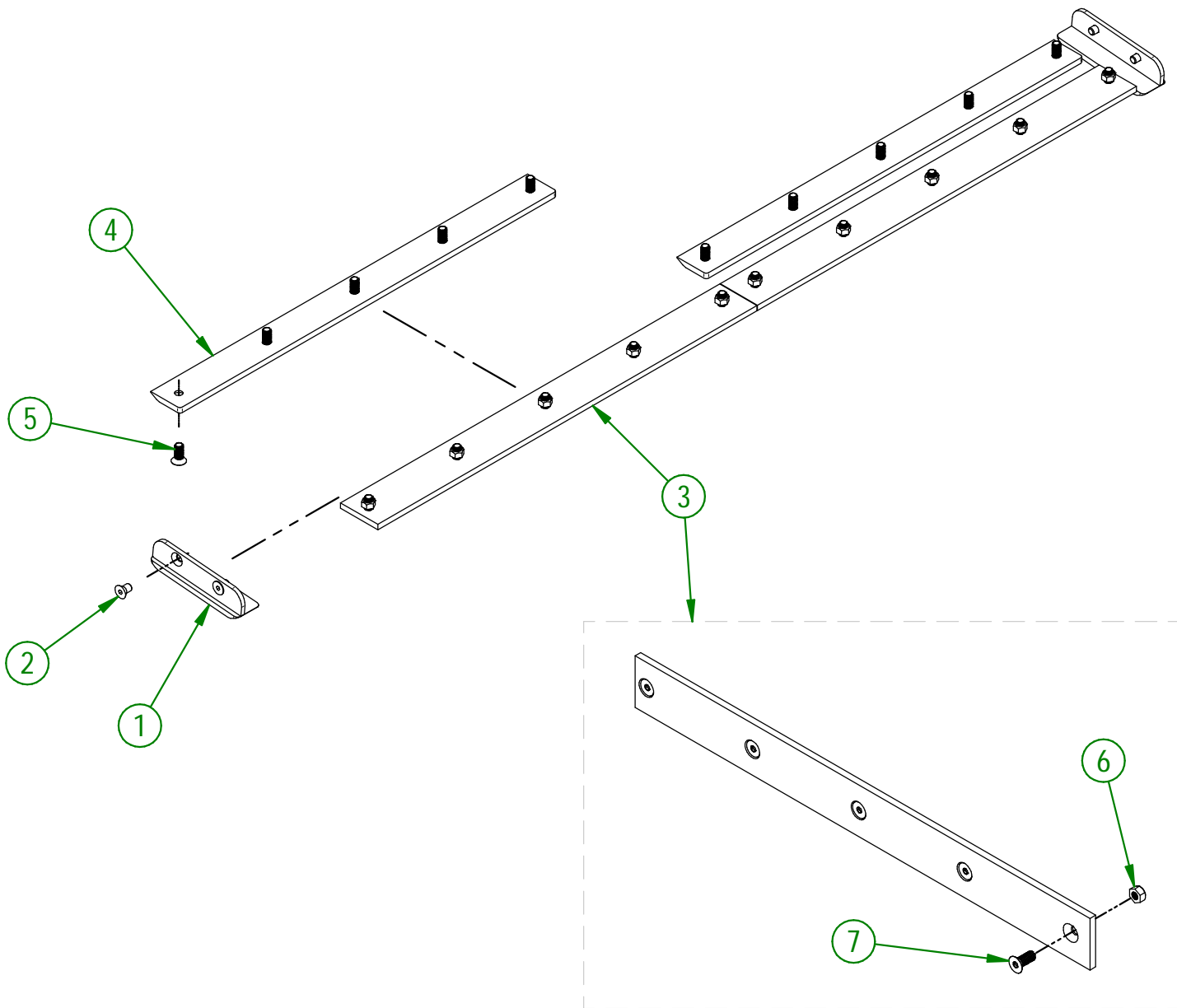
ASSEMBLY : **102-57-0975**
AUTHOR : J. Houle

102-57-0980

#	PART #	Qty	TITLE
1	80-50-0087	2	LATERAL SKATE (STAINLESS STEEL)
2	NC02-48-0586	4	FLAT HEAD SOCKET CAP SCREW 5/8-11 X 1" LG
3	81-57-0225	2	KNIFE (STAINLESS STEEL) GROUP (BOLTS AND NUTS INCLUDED)
4	102-20-0175	2	SKATE (STAINLESS STEEL)
5	NC02-48-0562	10	FLAT HEAD SOCKET CAP SCREW STAINLESS 5/8-11 X 1 1/2"

81-57-0225

#	PART #	QTY	TITLE
6	NC01-93-0016	5	LOCK NUT ZINC 5/8-11
7	NC02-48-0562	5	FLAT HEAD SOCKET CAP SCREW STAINLESS 5/8-11 X 1 1/2"



AGRIMETAL

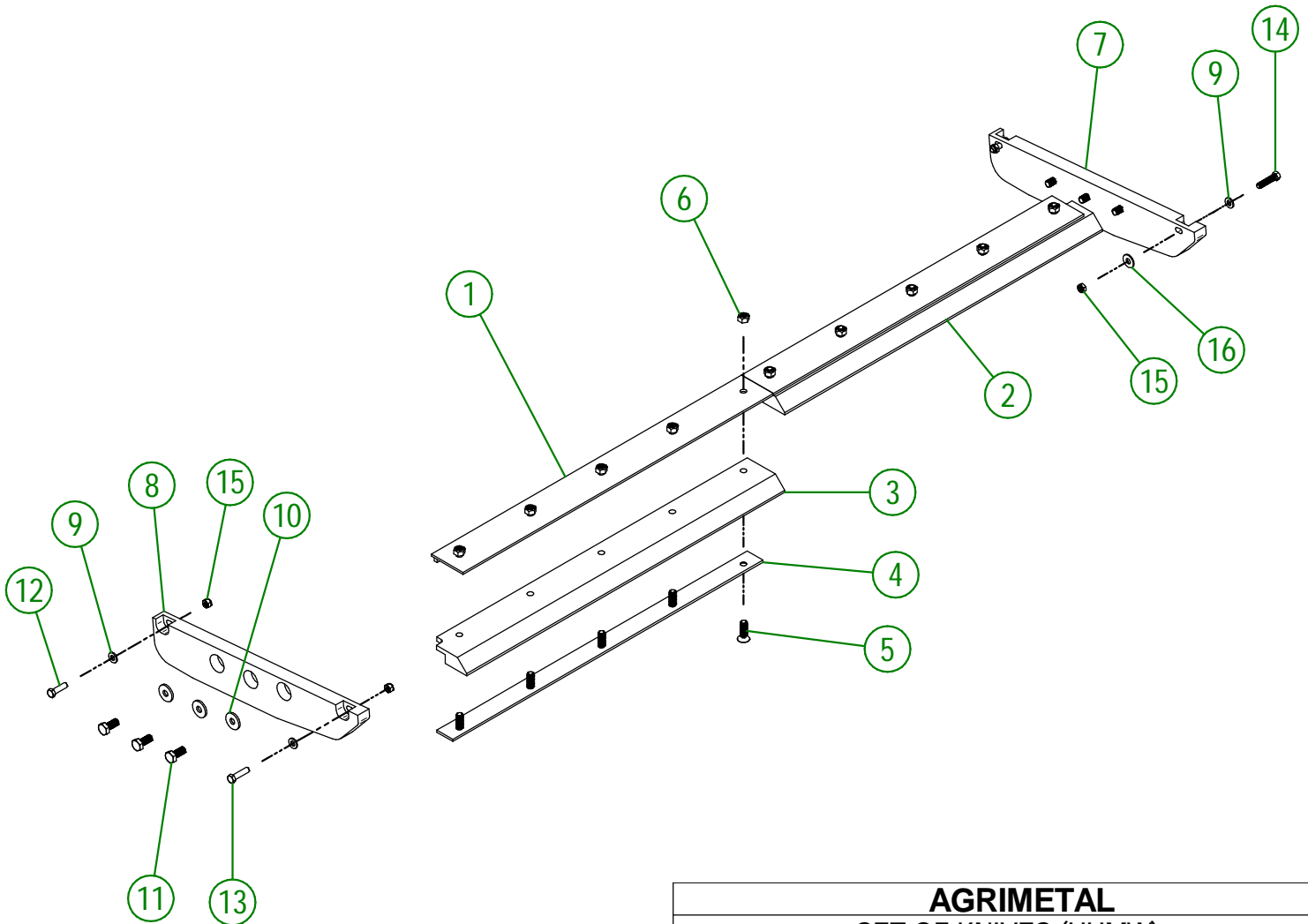
SET OF KNIVES (STAINLESS STEEL)

CREATION : 21/08/23
REVISION : 25/09/23

ASSEMBLY : **102-57-0980**
AUTHOR : J. Houle

102-57-0985

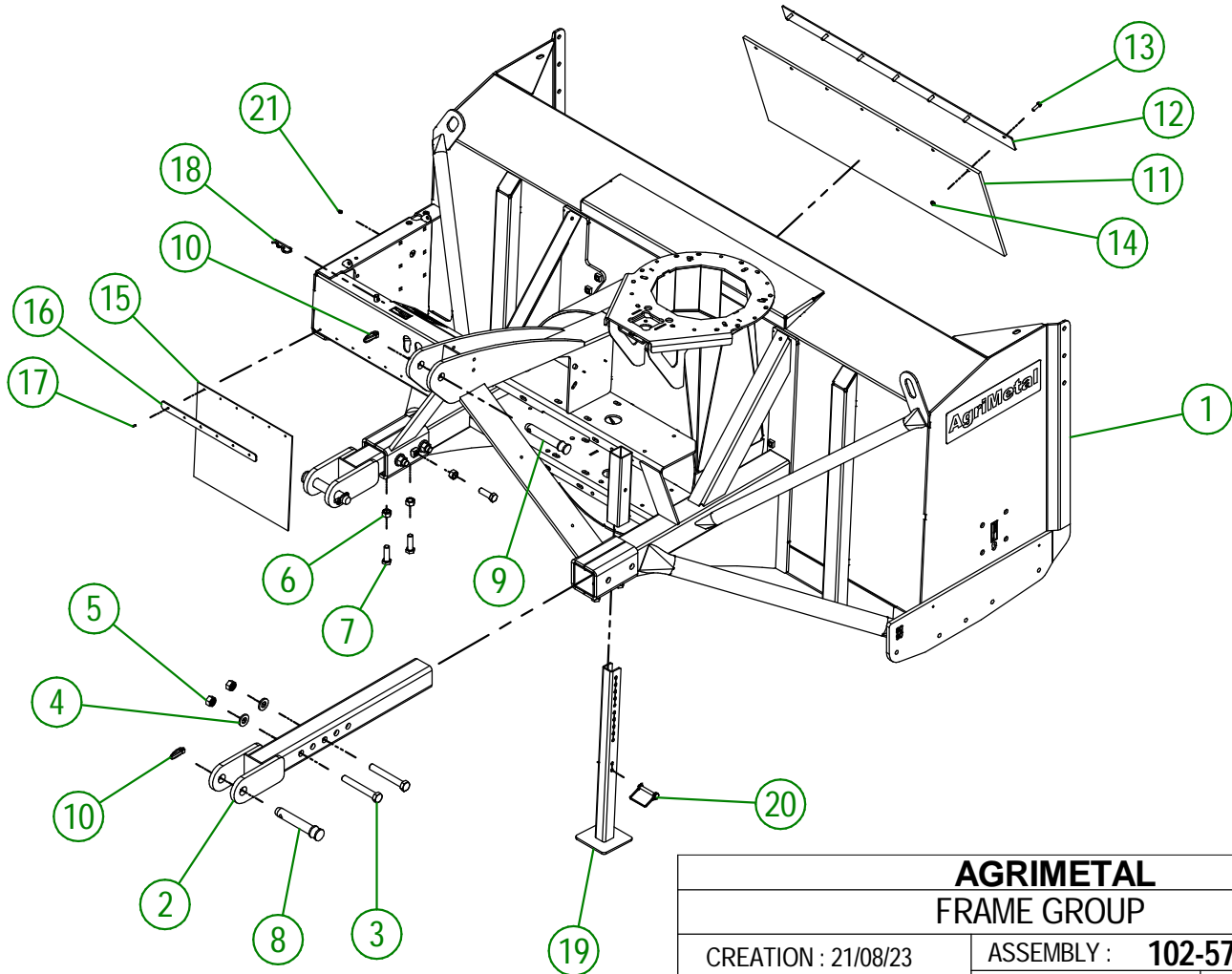
#	PART #	Qty	TITLE
1	81-50-0200	2	KNIFE BRACE (TOP)
2	81-42-0100	1	RIGHT KNIFE (UHMW)
3	81-42-0101	1	LEFT KNIFE (UHMW)
4	81-04-0355	2	KNIFE BRACE (UNDER)
5	NC02-48-0564	10	FLAT HEAD SOCKET CAP SCREW STAINLESS 5/8-11 X 2" LG
6	NC01-93-0016	10	LOCK NUT ZINC 5/8-11
7	102-42-0005	1	LATERAL KNIFE (RIGHT)
8	102-42-0000	1	LATERAL KNIFE (LEFT)
9	NC02-25-0011	4	WASHER SAE ZINC 17/32 ID
10	80-04-0185	6	WASHER
11	NC01-17-0394	6	HEX. BOLT GR2 ZINC 5/8-11 X 1 1/2"
12	NC01-17-0250	2	HEX. BOLT GR2 ZINC 1/2-13 X 1 3/4"
13	NC01-17-0251	1	HEX. BOLT GR2 ZINC 1/2-13 X 2"
14	NC01-17-0252	1	HEX. BOLT GR2 ZINC 1/2-13 X 2 1/4"
15	NC01-93-0014	4	LOCK NUT ZINC 1/2-13
16	NC02-22-0012	1	WASHER ZINC 1/2 BOLT = 9/16"Ø X 1 3/8" OD



AGRIMETAL	
SET OF KNIVES (UHMW)	
CREATION : 21/08/23	ASSEMBLY : 102-57-0985
REVISION : 27/09/23	AUTHOR : J. Houle

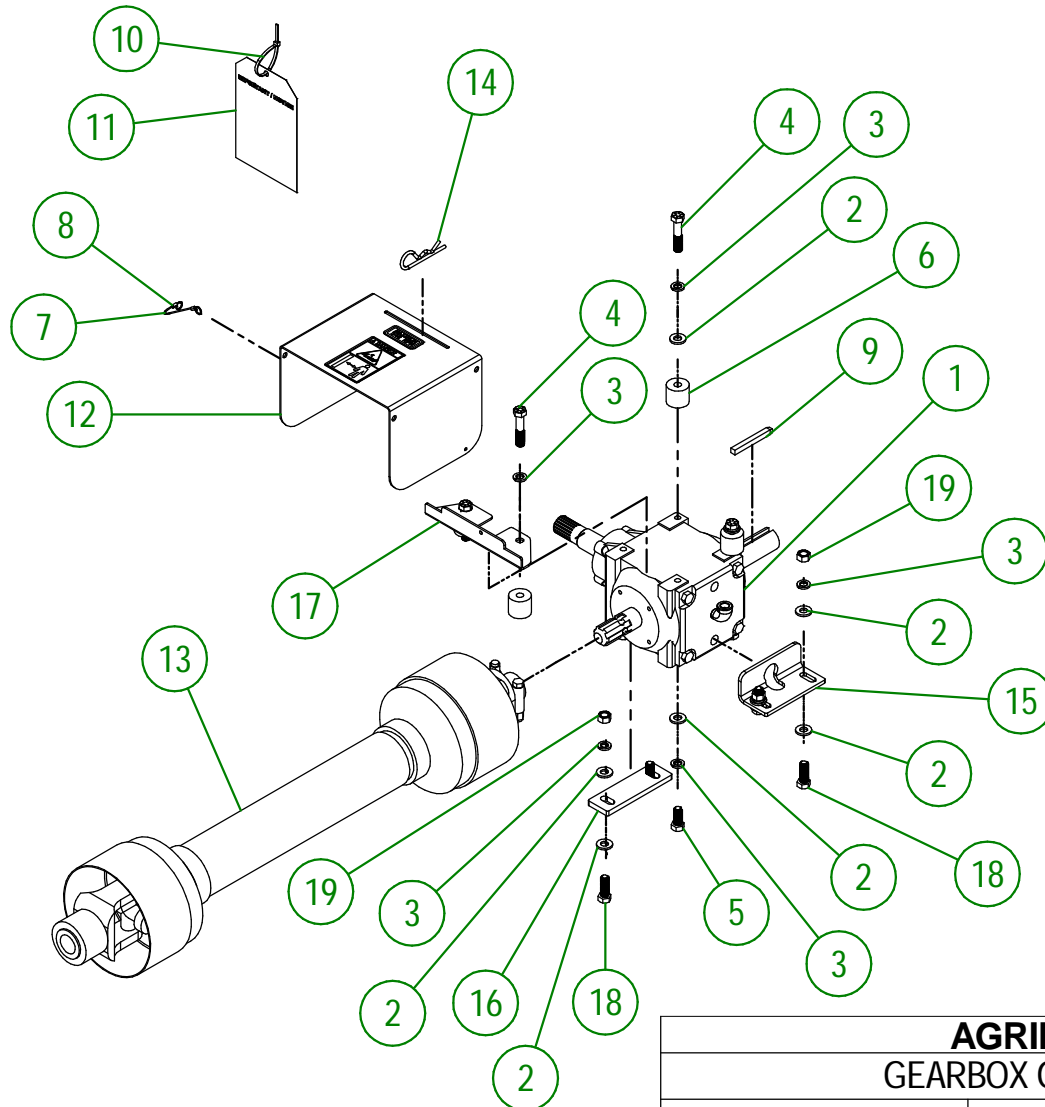
102-57-0930

#	PART #	QTY	TITLE
1	102-57-0925	1	FRAME
2	102-50-0005	2	ATTACHMENT HAND
3	NC01-33-0481	4	HEX. BOLT GR8 ZINC 3/4-10 X 5 1/2"
4	22-04-6805	4	FLAT WASHER BEARING BASE
5	NC01-93-0017	4	HEX. LOCKNUT STEEL NC Z 3/4-10
6	NC02-07-0022	6	HEX. NUT ZINC 5/8-11
7	NC01-17-0396	6	HEX. BOLT GR2 ZINC 5/8-11 X 2"
8	48-20-0065	2	3 POINT PIN
9	48-20-0060	1	3 POINT PIN
10	NC01-69-1100	3	LINCH PIN 3/8"
11	NC13-15-0322	1	RUBBER
12	81-57-0250	1	RUBBER REINFORCEMENT
13	NC01-17-0060	7	HEX. BOLT GR2 ZINC 5/16-18 X 1"
14	NC01-93-0010	7	LOCK NUT ZINC 5/16-18
15	NC13-15-0300	1	SNOW GUARD
16	80-01-1075	1	SNOW GUARD BRACE
17	NC01-78-0016	6	ALUMINIUM BLIND POP RIVET STEEL MANDREL 0.187 X 0.690
18	NC01-63-0026	1	COTTER PIN ZC 5/32" X 3"
19	81-50-0090	1	STAND
20	NC01-69-1306	1	LOCKING PIN 3/8" X 2 1/2" LG
21	NC01-69-0785	1	STRAIGHT GREASE FITTING 1/4-28



AGRIMETAL	
FRAME GROUP	
CREATION : 21/08/23	ASSEMBLY : 102-57-0930
REVISION : 21/08/23	AUTHOR : J. Houle

#	PART #	Qty	TITLE
1	80-55-0010	1	GEARBOX
2	NC02-25-0011	14	WASHER SAE ZINC 17/32 ID
3	NC02-32-0014	12	LOCK WASHER ZINC 1/2"
4	NC01-33-0253	4	HEX. BOLT GR8 ZINC 1/2-13 X 2 1/2"
5	NC01-33-0248	4	HEX. BOLT .GR8 NC ZINC 1/2-13 X 1 1/4"
6	81-21-0005	4	TRANSMISSION BUSHING
7	80-41-0135	1	PTO GUARD STEEL CABLE
8	NC01-64-0005	2	OVAL SLEEVE (ALUMINUM)
9	80-41-0900	1	IMPELLER KEY
10	NC13-25-0019	1	BLACK TIE RAP
11	NC13-50-0110	1	IMPORTANT/NOTICE PTO POSTER
12	81-57-0040	1	PTO GUARD
13	81-34-0035	1	PTO SHAFT T80
14	NC01-63-0027	1	HAIRPIN COTTER
15	80-04-0485	1	GEARBOX BRACE
16	80-04-0480	1	GEARBOX BRACE
17	81-01-0921	1	PTO GUARD SUPPORT
18	NC01-33-0249	4	CAP SCREW GR8 NC ZINC 1/2-13 X 1 1/2" LG
19	NC02-07-0020	4	HEX. NUT ZINC 1/2-13



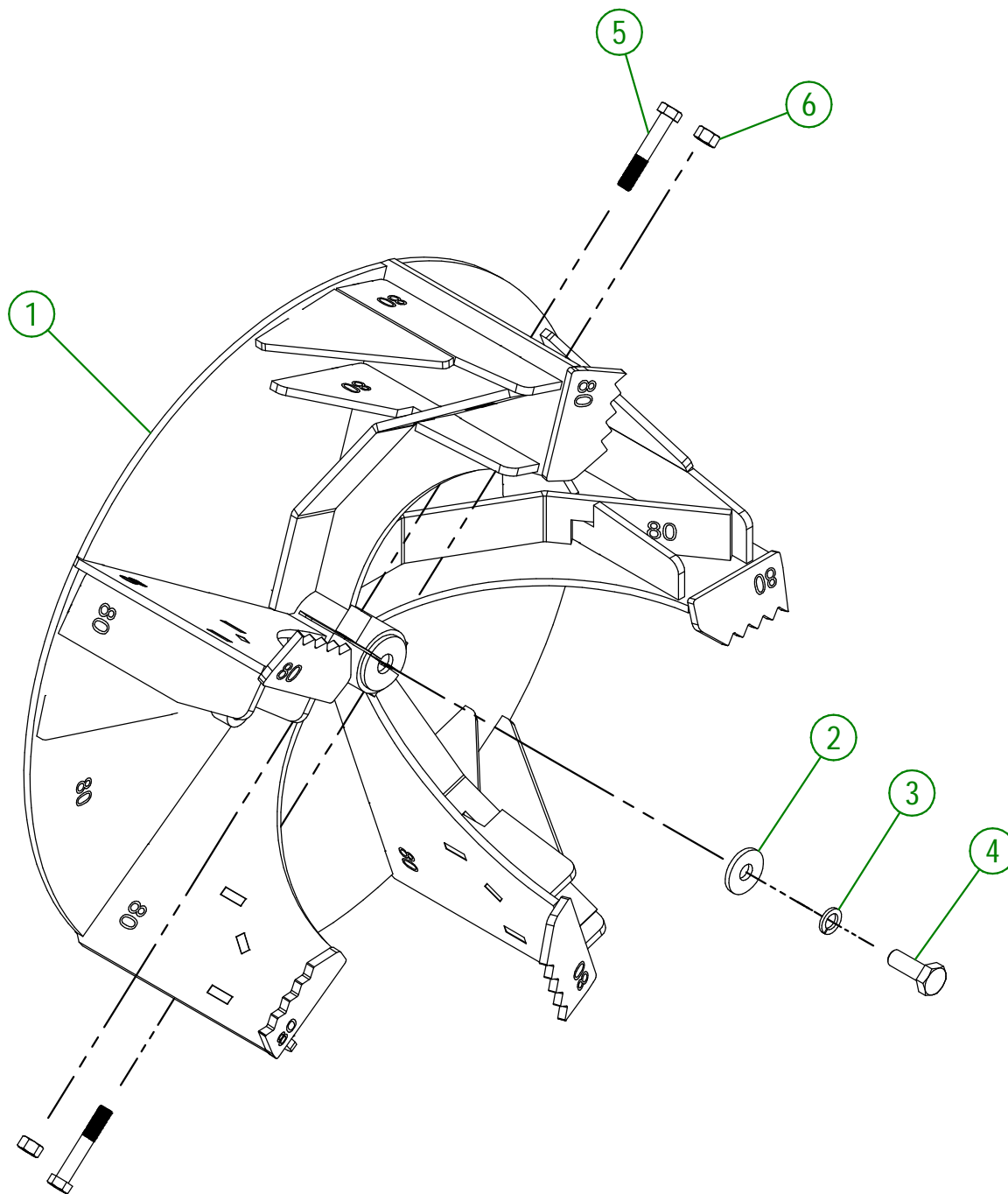
AGRIMETAL
GEARBOX GROUPING

CREATION : 19/07/16
 REVISION : 21/08/23

ASSEMBLY : **81-57-0430**
 AUTHOR : Dessin2

102-57-1020

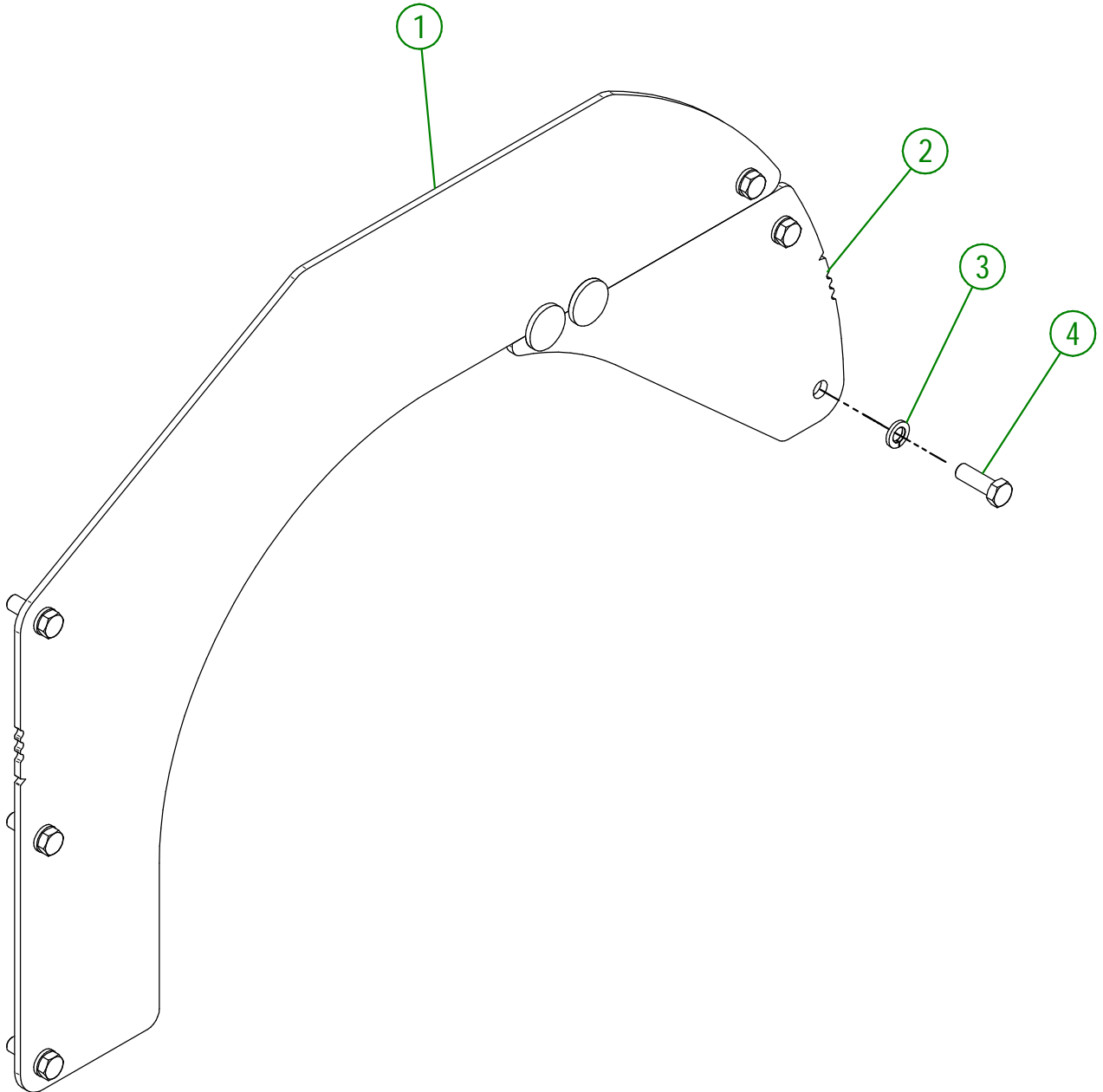
#	PART #	Qty	TITLE
1	102-50-1025	1	IMPELLER
2	80-04-0185	1	WASHER
3	NC02-32-0016	1	LOCK WASHER ZINC 5/8"
4	NC01-25-0395	1	HEX. BOLT GR5 ZINC 5/8-11 X 1 3/4" LG
5	NC01-37-0255	2	HEX BOLT GR8 1/2" X 3" LG.
6	NC01-94-0013	2	NYLON NUT ZINC 1/2-20"



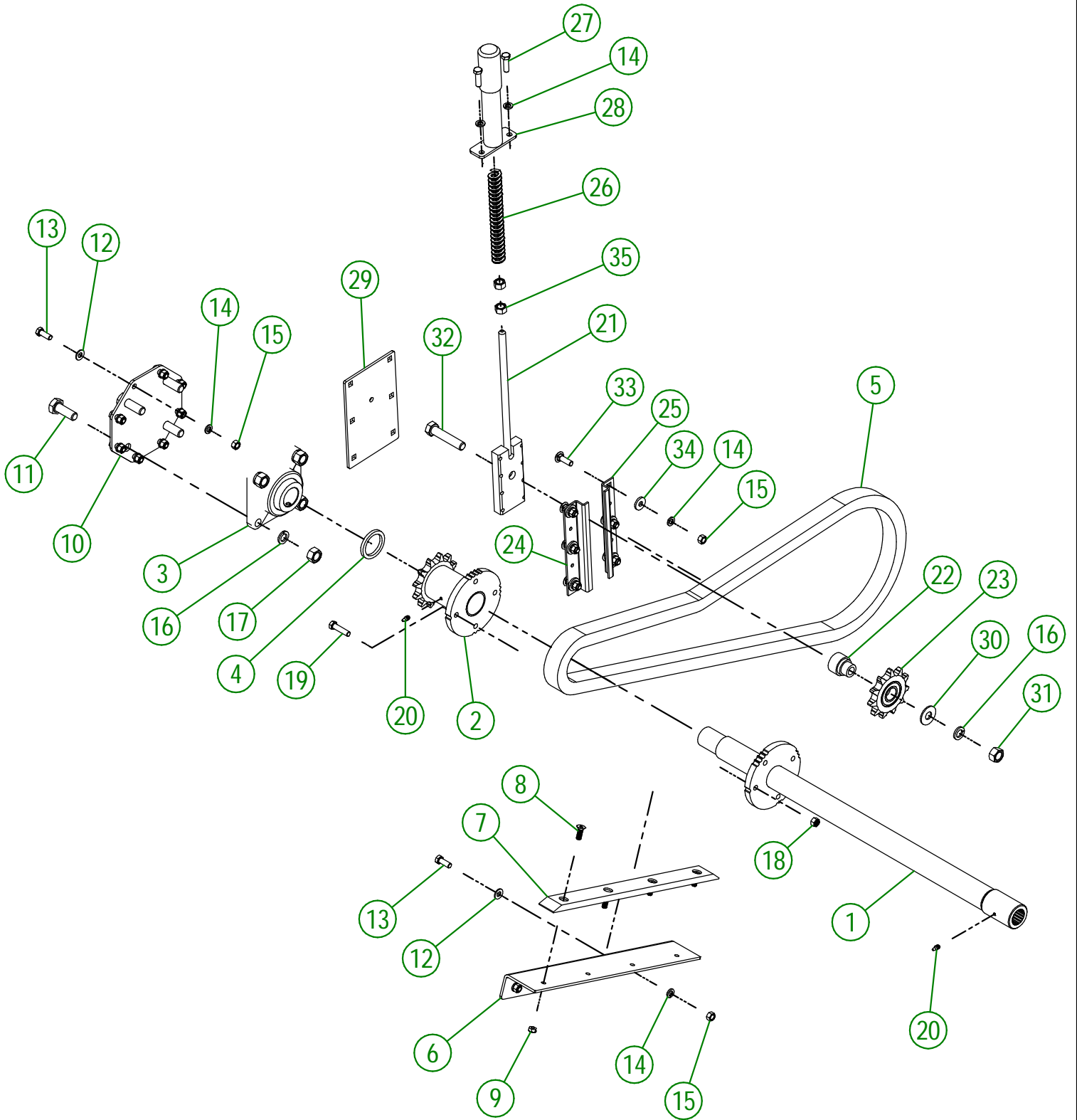
AGRIMETAL	
IMPELLER GROUP	
CREATION : 21/08/23	ASSEMBLY : 102-57-1020
REVISION : 21/08/23	AUTHOR : J. Houle

102-57-1035

#	PART #	Qty	TITLE
1	102-50-1040	1	LEFT SNOW GUARD
2	102-50-1045	1	RIGHT SNOW GUARD
3	NC02-32-0014	6	LOCK WASHER ZINC 1/2"
4	NC01-25-0249	6	HEX. BOLT GR5 ZINC 1/2-13 X 1 1/2" LG



AGRIMETAL	
SNOW GUARD GROUP	
CREATION : 21/08/23	ASSEMBLY : 102-57-1035
REVISION : 21/08/23	AUTHOR : J. Houle



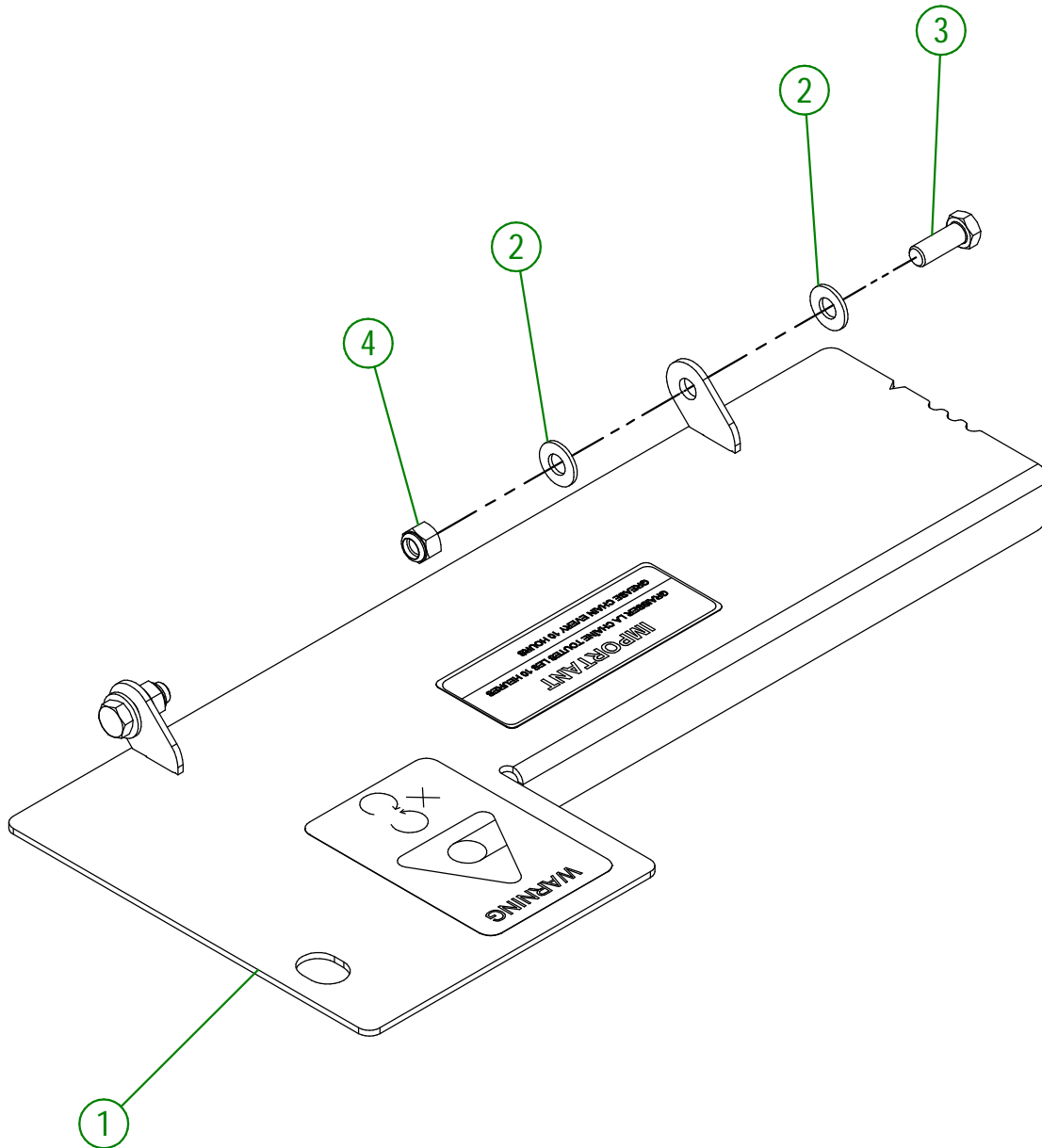
AGRIMETAL	
SPIRAL DRIVE TRAIN GROUP	
CREATION : 21/08/23	ASSEMBLY : 102-57-0970
REVISION : 23/08/23	AUTHOR : J. Houle

102-57-0970

#	PART #	QTY	TITLE
1	81-50-6010	1	SPIRAL DRIVE TRAIN
2	NC14-55-0328	1	SPROCKET
3	NC14-75-0025	1	FLANGE BEARING 4 HOLES UCF 208-24 X 1 1/2"
4	81-21-0010	1	SPIRAL DRIVE TRAIN BUSHING
5	102-37-0005	1	#80 CHAIN
6	102-04-0365	1	WEAR STRIP HOLDER
7	102-42-0010	1	SLIDING CHAIN STRIP
8	NC02-48-0021	4	FLAT HEAD SOCKET CAP SCREW 5/16-18 X 1"
9	NC01-93-0010	4	LOCK NUT ZINC 5/16-18
10	81-04-0010	1	BEARING SUPPORT
11	NC01-25-0395	4	HEX. BOLT GR5 ZINC 5/8-11 X 1 3/4" LG
12	01-01-2485	11	FLAT WASHER 14 GA X 13/16"OD X 25/64" ID
13	NC01-25-0114	11	HEX. BOLT GR2 ZINC 3/8-16 X 1"
14	NC02-32-0012	19	LOCK WASHER ZINC 3/8"
15	NC02-07-0018	17	HEX. NUT ZINC 3/8-16
16	NC02-32-0016	5	LOCK WASHER ZINC 5/8"
17	NC02-07-0022	4	HEX. NUT ZINC 5/8-11
18	NC01-93-0011	1	LOCK NUT 3/8-16
19	NC01-25-0116	1	HEX. BOLT GR5 ZINC 3/8-16 X 1 1/2"
20	NC01-69-0785	2	STRAIGHT GREASE FITTING 1/4-28
21	81-50-0078	1	SUPPORT FOR CHAIN TENSIONER
22	102-21-0015	1	CHAIN TENSIONER BUSHING
23	81-55-0005	1	CHAIN TENSIONER SPROCKET
24	81-01-0927	1	SUPPORT FOR CHAIN TENSIONER
25	81-01-0928	1	SUPPORT FOR CHAIN TENSIONER
26	NC13-86-0369	1	GREEN SPRING 1/2" ID X 1" OD X 8" LG
27	NC01-25-0115	2	HEX. BOLT GR5 ZINC 3/8-16 X 1 1/4"
28	102-50-1065	1	SPRING GUIDE
29	102-04-0180	1	CHAIN TENSIONER HOLD DOWN PLATE
30	NC02-22-0013	1	WASHER ZINC 5/8 ID X 1 1/2 OD
31	NC02-10-0022	1	HEX. NUT ZINC 5/8-18
32	NC01-29-0400	1	HEX. BOLT GR5 ZINC 5/8-18 X 3"
33	NC01-07-0110	6	CARR. BOLT GR5 ZINC 3/8-16 X 1 1/4"
34	21-01-0950	6	FLAT WASHER 10GA 1.005" DIA X 25/64"
35	NC02-07-0020	2	HEX. NUT ZINC 1/2-13

102-57-1055

#	PART #	Qty	TITLE
1	102-57-1060	1	CHAIN GUARD
2	01-01-2485	4	FLAT WASHER 14 GA X 13/16"OD X 25/64" ID
3	NC01-17-0114	2	HEX. BOLT GR2 ZINC 3/8-16 X 1"
4	NC01-96-0011	2	NYLON NUT 3/8-16

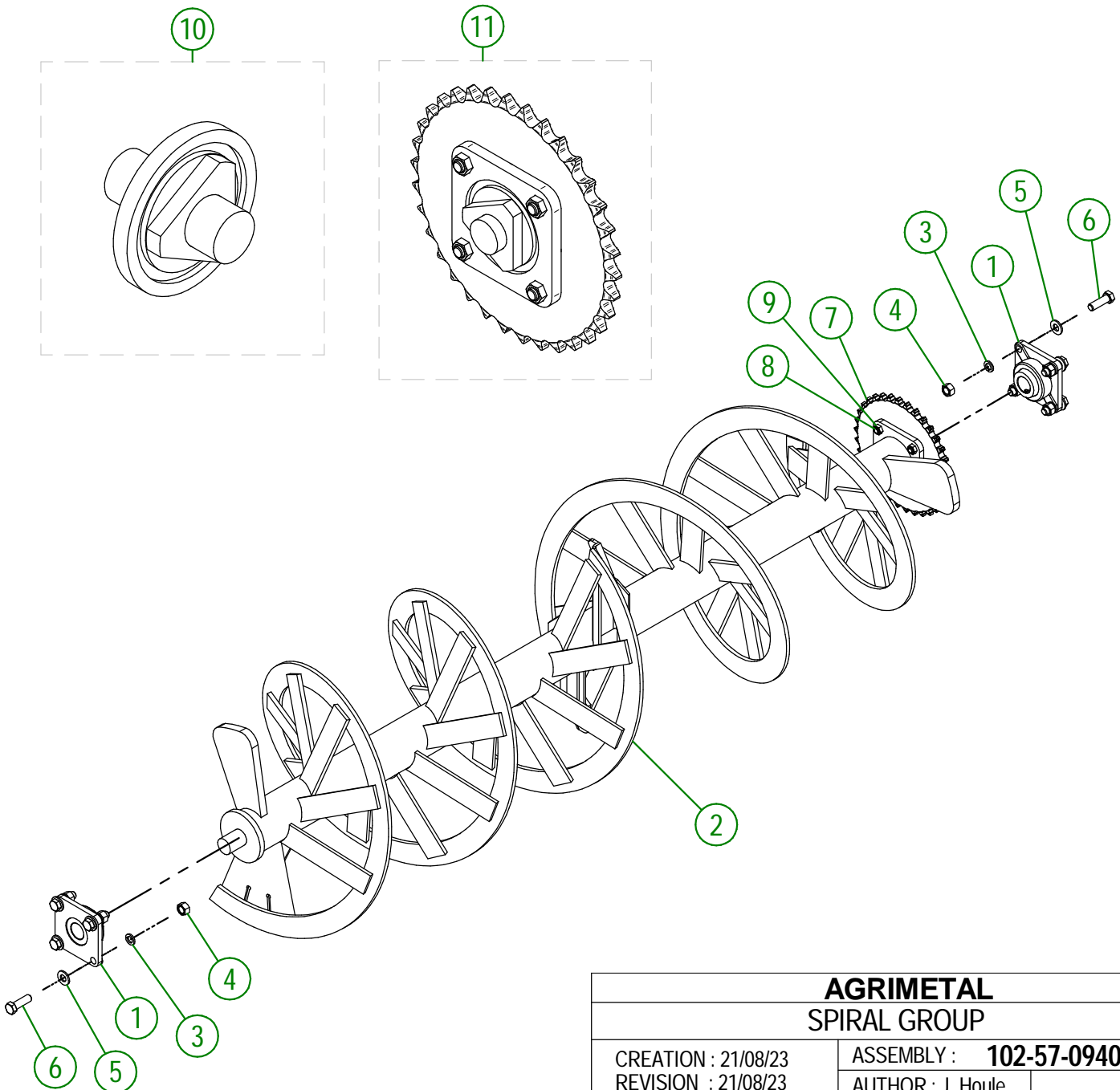


AGRIMETAL	
CHAIN GUARD GROUP	
CREATION : 21/08/23	ASSEMBLY : 102-57-1055
REVISION : 21/08/23	AUTHOR : J. Houle

102-57-0940

#	PART #	QTY	TITLE
1	NC14-75-0161	2	FLANGE BEARING UCF 208-24 1 1/2" ID
2	102-50-0930	1	SPIRAL
3	NC02-32-0016	8	LOCK WASHER ZINC 5/8"
4	NC02-07-0022	8	HEX. NUT ZINC 5/8-11
5	NC02-25-0013	8	WASHER ZINC SAE ZINC 21/32 ID
6	NC01-17-0396	8	HEX. BOLT GR2 ZINC 5/8-11 X 2"
7	NC14-55-0275	1	SPROCKET 80A34 X 1 1/2"
8	NC01-29-0249	4	HEX. BOLT GR2 NC ZINC 1/2-20 X 1 1/2"
9	NC01-94-0013	4	HEX. LOCK NUT NF ZINC 1/2-20
10	102-51-1070	1	SHAFT OF THE SPIRAL
11	102-51-1075	1	SHAFT OF THE SPIRAL (SPROCKET)

REBUILT KIT



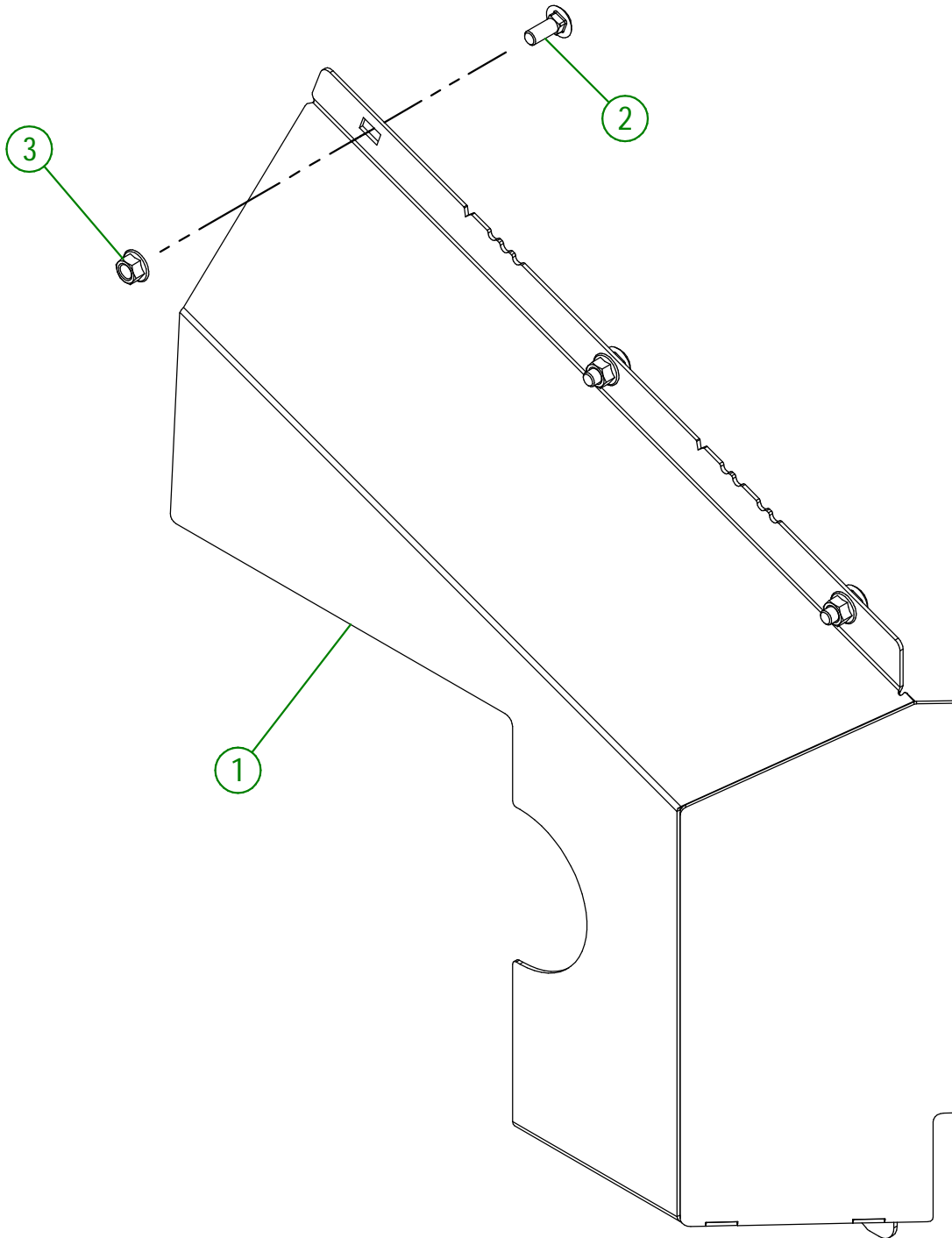
AGRIMETAL
SPIRAL GROUP

CREATION : 21/08/23
REVISION : 21/08/23

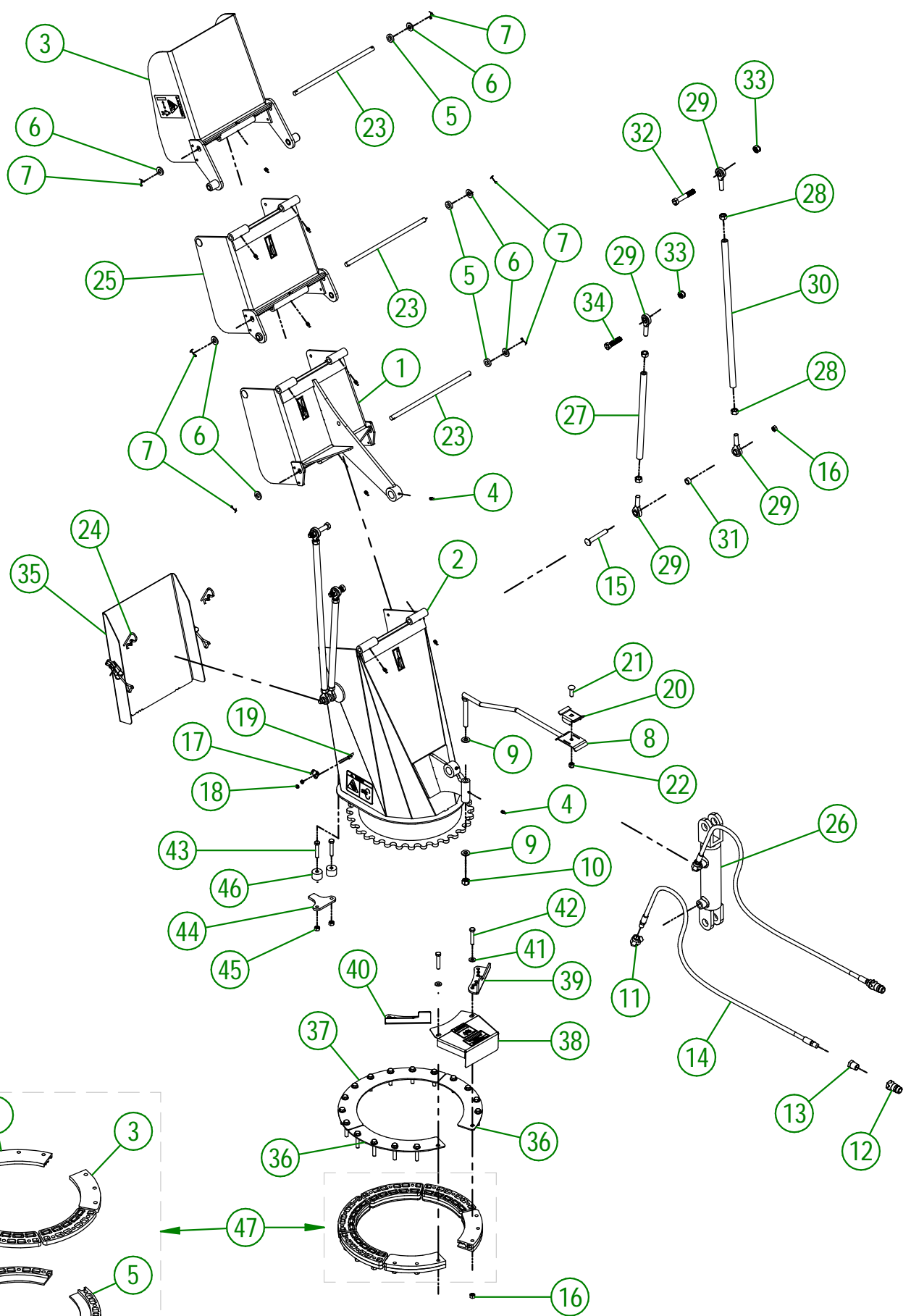
ASSEMBLY : **102-57-0940**
AUTHOR : J. Houle

102-57-1065

#	PART #	Qty	TITLE
1	102-50-1050	1	CHAIN GUARD
2	NC01-04-0109	5	CARR. BOLT GR2 ZINC 3/8-16 X 1"
3	NC02-14-0019	5	FLANGE NUT HEX. NC 3/8-16 GR. B



AGRIMETAL	
SPIRAL CHAIN GUARD GROUP	
CREATION : 21/08/23	ASSEMBLY : 102-57-1065
REVISION : 21/08/23	AUTHOR : J. Houle



AGRIMETAL
CHUTE (12") GROUP

CREATION : 21/08/23
 REVISION : 24/08/23

ASSEMBLY : **102-57-1046**
 AUTHOR : J. Houle

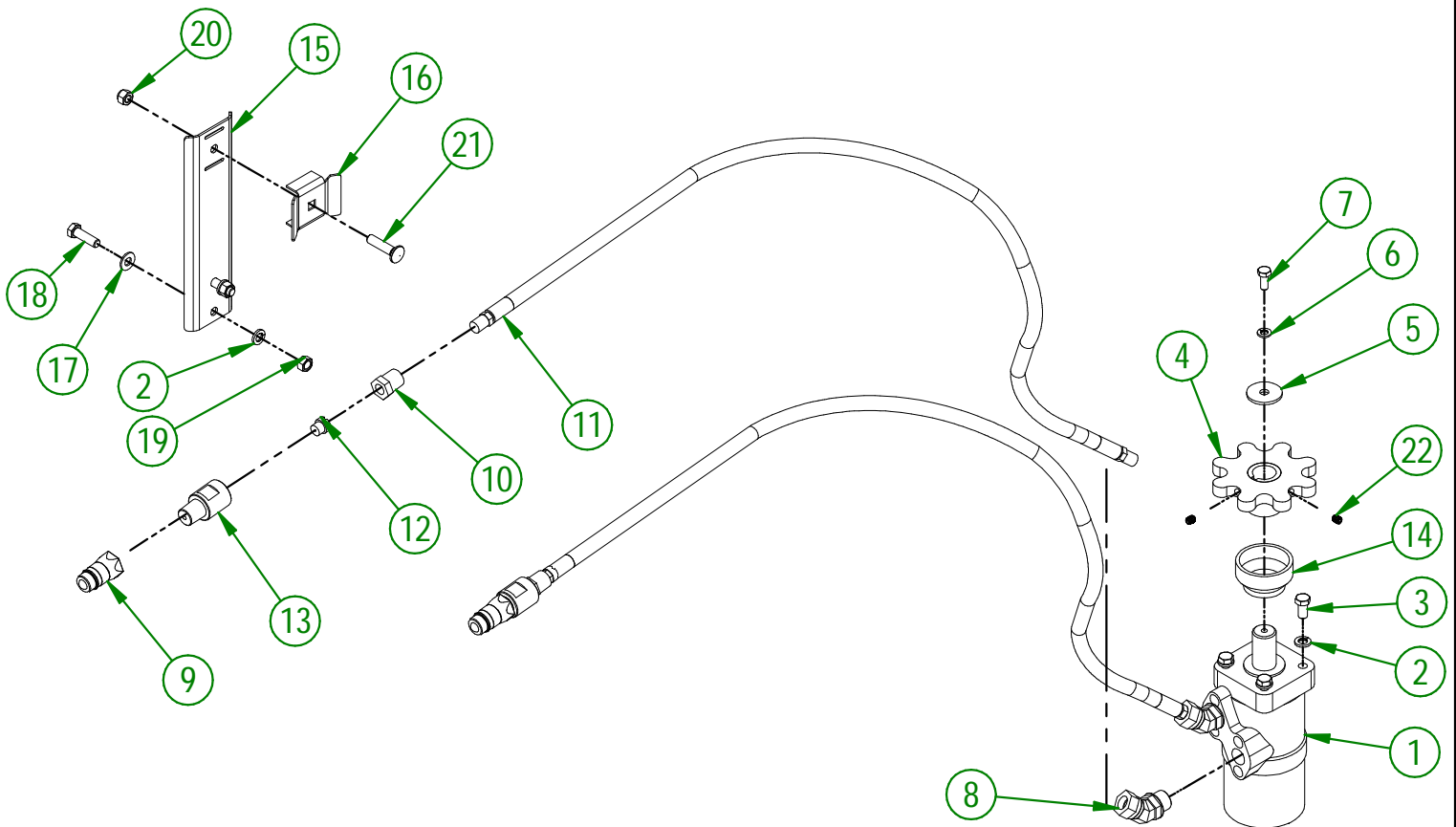
102-57-1045

#	PART #	QTY	TITLE
1	102-57-1011	1	FIRST SECTION
2	102-57-1001	1	BOTTOM SECTION
3	102-57-1016	1	THIRD SECTION
4	NC01-69-0785	12	STRAIGHT GREASE FITTING 1/4-28
5	NC13-15-0334	6	PIVOT WASHER
6	NC02-25-0011	6	WASHER SAE ZINC 17/32 ID
7	NC01-69-0139	6	COTTER PIN ZINC 1/8" X 3/4"
8	48-50-1030	1	HYDRAULIC HOSE SUPPORT
9	01-01-0925	2	WASHER
10	NC01-96-0014	1	NYLON-INSERT LOCKNUT ZINC 1/2-13
11	NC13-45-0038	2	ELBOW 90 3/8 FEM. NPT X 3/8 MALE NPT
12	NC13-45-0369	2	QUICK COUPLER 1/2-14 NPTF
13	NC13-45-0153	2	HEX. REDUCER 1/4 NPT X 1/2 NPT
14	NC17-02-0347	2	HYDRAULIC HOSE (111" LG)
15	NC01-07-0242	2	CARR. BOLT GR5 ZINC 1/2-13 X 3 1/4"
16	NC01-93-0011	20	LOCK NUT 3/8-16
17	NC01-63-0052	2	ADJUSTABLE LATCH (STRIKE)
18	NC01-96-0006	4	NYLON NUT ZINC 3/16
19	NC02-40-0080	4	MACHINE SCREWS SQUARE SOCKET #10-24 X 1/2" LG
20	48-01-7530	1	HYDRAULIC HOSE SUPPORT
21	NC01-04-0110	1	CARR. BOLT GR2 ZINC 3/8-16 X 1 1/4"
22	NC01-96-0011	1	NYLON NUT 3/8-16
23	80-20-0260	3	PIVOT
24	NC01-63-0026	2	COTTER PIN ZC 5/32" X 3"
25	102-57-1075	1	SECOND SECTION
26	NC13-45-0217	1	HYDRAULIC CYLINDER 4" STROKE
27	103-13-0000	2	CHUTE ROD (TRIPLE)
28	NC02-10-0020	8	HEX. NUT ZINC 1/2-20
29	NC01-67-0306	8	1/2-20 ROD END
30	103-13-0005	2	CHUTE ROD (TRIPLE)
31	103-13-0025	2	CHUTE ROD SPACER
32	NC01-25-0255	2	HEX BOLT GR5 ZINC 1/2-13 X 3" LG.
33	NC01-93-0014	4	LOCK NUT ZINC 1/2-13
34	NC01-25-0251	2	HEX.BOLT GR5 NC ZINC 1/2-13 X 2"
35	80-57-0353	1	CHUTE DOOR
36	80-01-1010	2	BRACE
37	80-01-1015	1	BRACE
38	80-57-0550	1	SPROCKET GUARD GROUP "STICKER INCLUDED"
39	84-04-0177	1	ADJUSTABLE STOPPER
40	84-04-0175	1	ADJUSTABLE STOPPER
41	01-01-2485	18	FLAT WASHER 14 GA X 13/16"OD X 25/64" ID
42	NC01-17-0118	18	HEX. BOLT GR2 ZINC 3/8-16 X 2"
43	NC01-37-0118	2	HEX. BOLT GR8 ZINC 3/8-24 X 2"
44	84-04-0170	1	STOPPER
45	NC01-94-0011	2	LOCK NUT 3/8-24
46	81-21-0040	2	ADJUSTABLE STOPPER SPACER
47	84-57-1330	1	REGROUPEMENT DE GUIDE DE COURONNE DE CHUTE

84-57-1330

#	PART #	QTY	TITLE
1	NC17-46-0028	4	CHUTE GUIDE (TOP)
2	80-42-0320	1	CHUTE GUIDE (TOP)
3	80-42-0315	1	CHUTE GUIDE (TOP)
4	NC17-46-0027	4	CHUTE GUIDE (UNDER)
5	80-42-0305	1	CHUTE GUIDE (UNDER)
6	80-42-0310	1	CHUTE GUIDE (UNDER)

#	PART #	Qty	TITLE
1	NC14-45-0156	1	HYDRAULIC MOTOR
2	NC02-32-0012	6	LOCK WASHER ZINC 3/8"
3	NC01-17-0112	4	HEX. BOLT GR2 ZINC 3/8-16 X 3/4"
4	48-50-1025	1	HYDRAULIC ENGINE SPROCKET
5	01-33-0010	1	WASHER
6	NC02-32-0011	1	LOCK WASHER ZINC 5/16"
7	NC01-45-0184	1	HEX. BOLT GR8.8 ZINC 8MM X 20MM
8	NC13-45-0367	2	45°-7/8-14 MALE O RING X 1/2 FEM.TOUR.NPT PT
9	NC13-45-0369	2	QUICK COUPLER 1/2-14 NPTF
10	80-45-0000	2	HEX. REDUCER 1/4 NPT X 1/2 NPT
11	NC17-02-0406	2	HYDRAULIC HOSE (87" LG)
12	80-13-0100	2	HYDRAULIC RESTRICTOR
13	NC13-45-0378	2	HYDRAULIC RESTRICTOR BUSHING
14	NC17-46-0031	1	HYDRAULIC MOTOR BUSHING
15	81-01-7600	1	HYDRAULIC HOSE SUPPORT
16	80-01-0020	1	HYDRAULIC HOSE SUPPORT
17	01-01-2485	2	FLAT WASHER 14 GA X 13/16"OD X 25/64" ID
18	NC01-17-0115	2	HEX. BOLT GR2 ZINC 3/8-16 X 1 1/4"
19	NC02-07-0018	2	HEX. NUT ZINC 3/8-16
20	NC01-96-0011	1	NYLON NUT 3/8-16
21	NC01-04-0111	1	CARR. BOLT GR2 ZINC 3/8-16 X 1 1/2"
22	NC02-44-0103	2	SET SCREW 5/16-18 X 3/8"



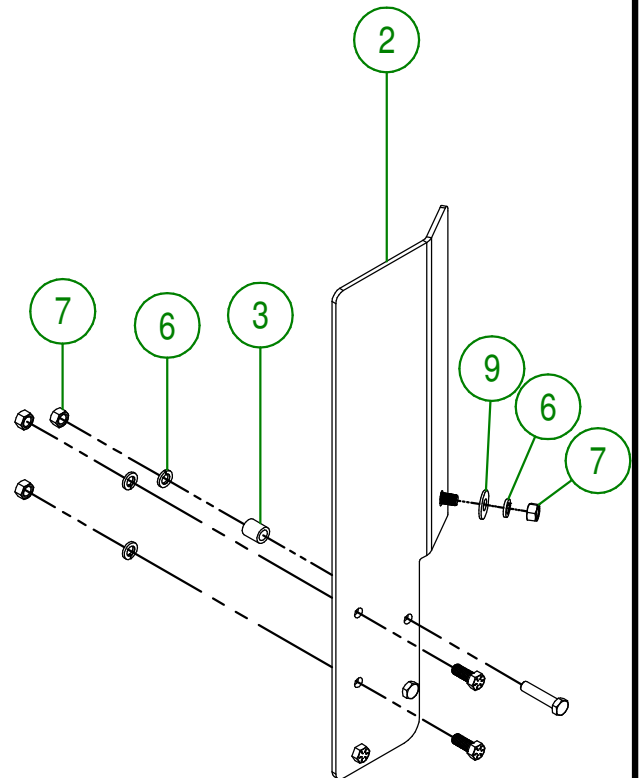
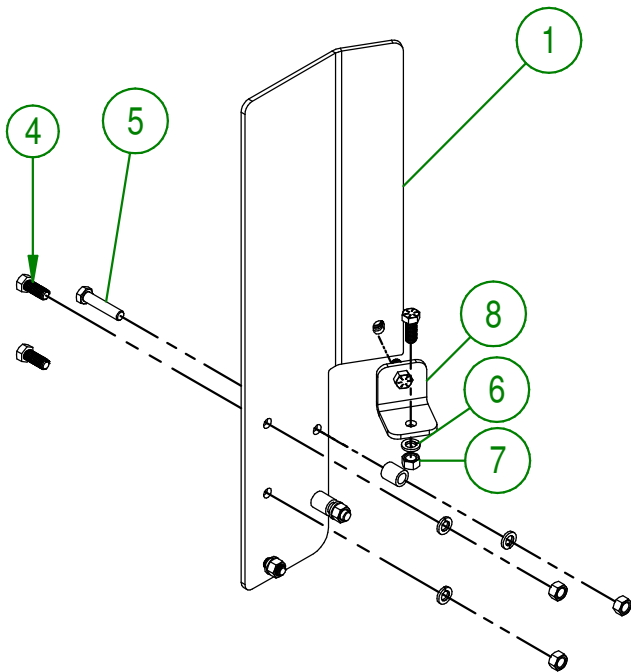
AGRIMETAL
HYDRAULIC MOTOR GROUP

CREATION : 05/12/17
REVISION : 21/08/23

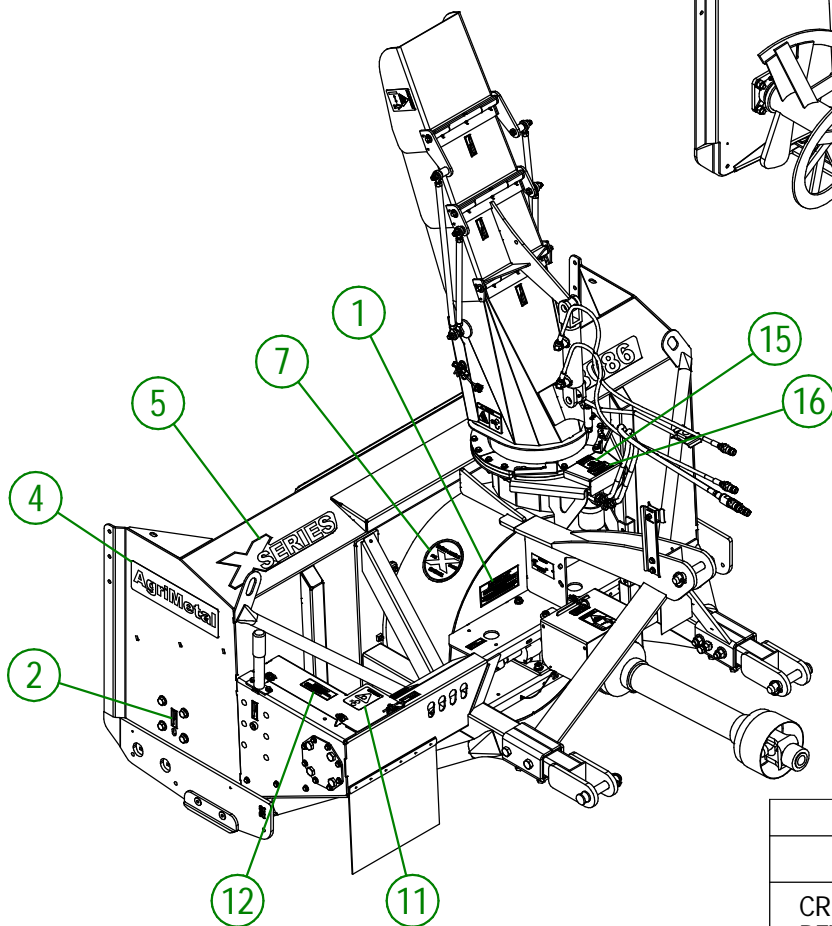
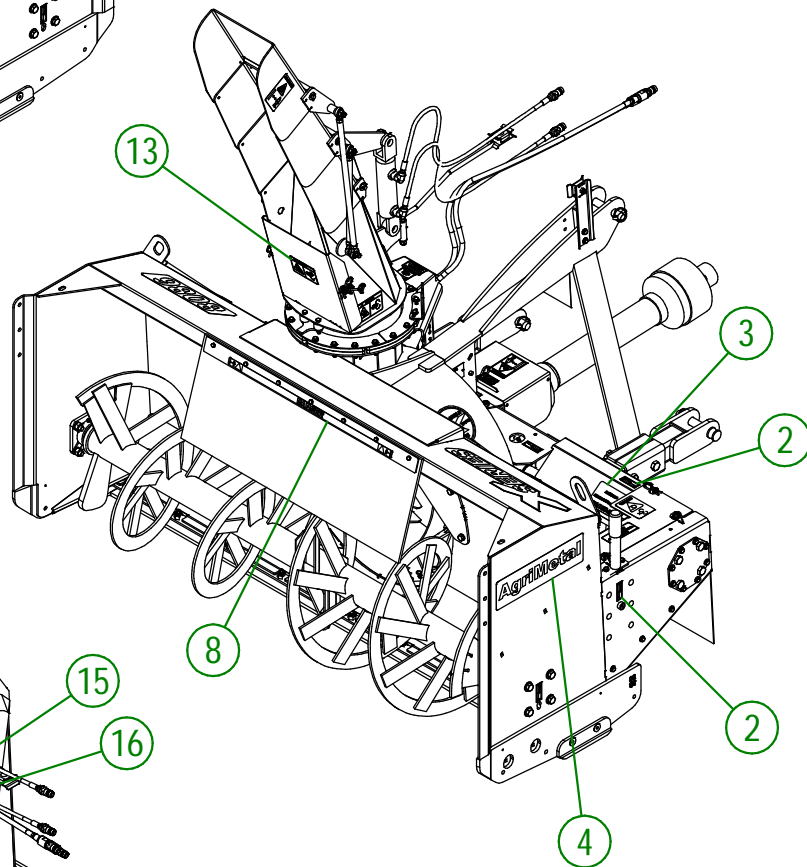
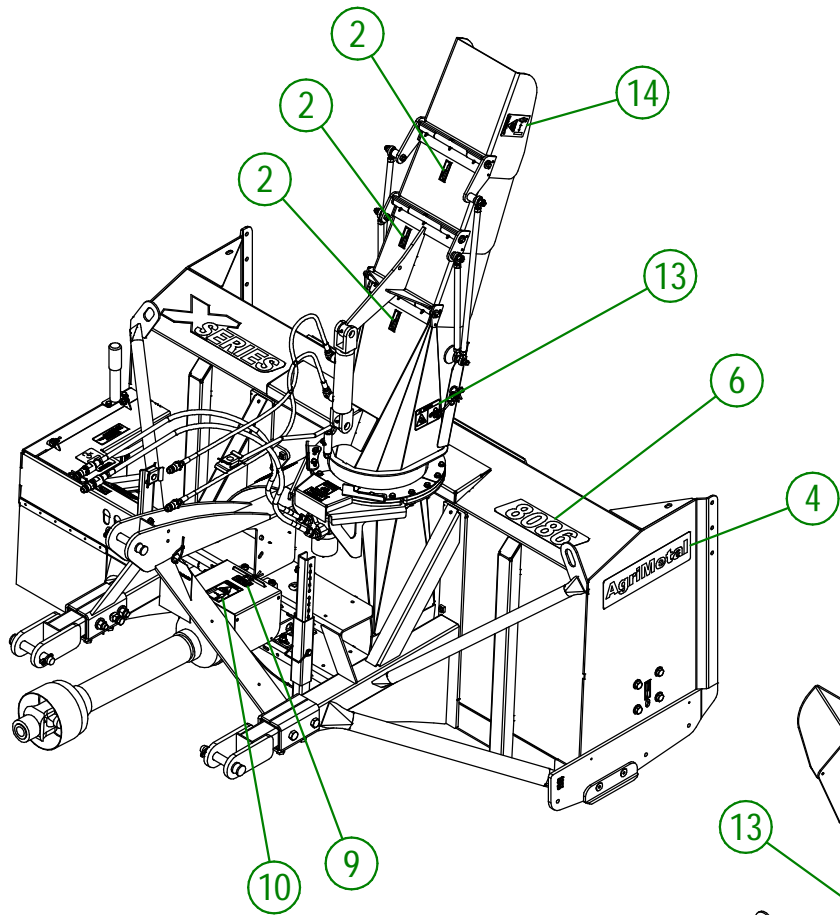
ASSEMBLY : **81-57-5045**
AUTHOR : F.HÉLIE

81-57-0215

#	PART #	Qty	TITLE
1	81-20-0337	1	LATERAL CUTTER BLADES (LEFT)
2	81-20-0335	1	LATERAL CUTTER BLADES (RIGHT)
3	81-10-0000	4	LATERAL CUTTER BLADES BUSHING
4	NC01-33-0248	10	HEX. BOLT .GR8 NC ZINC 1/2-13 X 1 1/4"
5	NC01-33-0514	4	HEX. BOLT GR8 ZINC 1/2-13 X 2 1/4"
6	NC02-32-0014	14	LOCK WASHER ZINC 1/2"
7	NC02-07-0020	14	HEX. NUT ZINC 1/2-13
8	81-04-0525	2	LATERAL KNIFE REINFORCE
9	NC02-22-0012	2	WASHER ZINC 1/2 BOLT = 9/16"Ø X 1 3/8" OD



AGRIMETAL	
LATERAL CUTTER BLADES	
CREATION : 24/11/17	ASSEMBLY : 81-57-0215
REVISION : 06/12/21	AUTHOR : J. Houle



AGRIMETAL

8086

CREATION : 22/08/23
 REVISION : 24/08/23

ASSEMBLY : **102-99-0900**
 AUTHOR : J. Houle

102-99-1000

#	PART #	QTY	TITLE
1	NC13-33-0317	1	STICKER GREASE DRIVE LINE TELESCOPIC SHAFT
2	NC13-33-0024	8	STICKER GREASE HERE
3	NC13-33-0281	1	STICKER SHEAR BOLT
4	NC13-33-0001	2	STICKER AGRIMETAL
5	NC13-33-2670	1	STICKER X SERIES
6	NC13-33-2666	1	STICKER 8086
7	NC13-33-2669	1	STICKER ANGLE RIGHT
8	NC13-33-0274	1	STICKER DANGER
9	NC13-33-0005	3	STICKER MAXIMUM 540 RPM
10	NC13-33-0187	3	STICKER DANGER (PTO AND PERSON)
11	NC13-33-0283	1	STICKER DANGER (PERSON AND CHAIN DRIVE)
12	NC13-33-0343	1	GREASE CHAIN EVERY 10 HOURS STICKER
13	NC13-33-0249	3	STICKER DANGER
14	NC13-33-0192	2	STICKER (PROJECTION RISK)
15	NC13-33-0326	1	STICKER DANGER (HAND)
16	NC13-33-0327	1	STICKER END ROTATION ADJUSTMENT