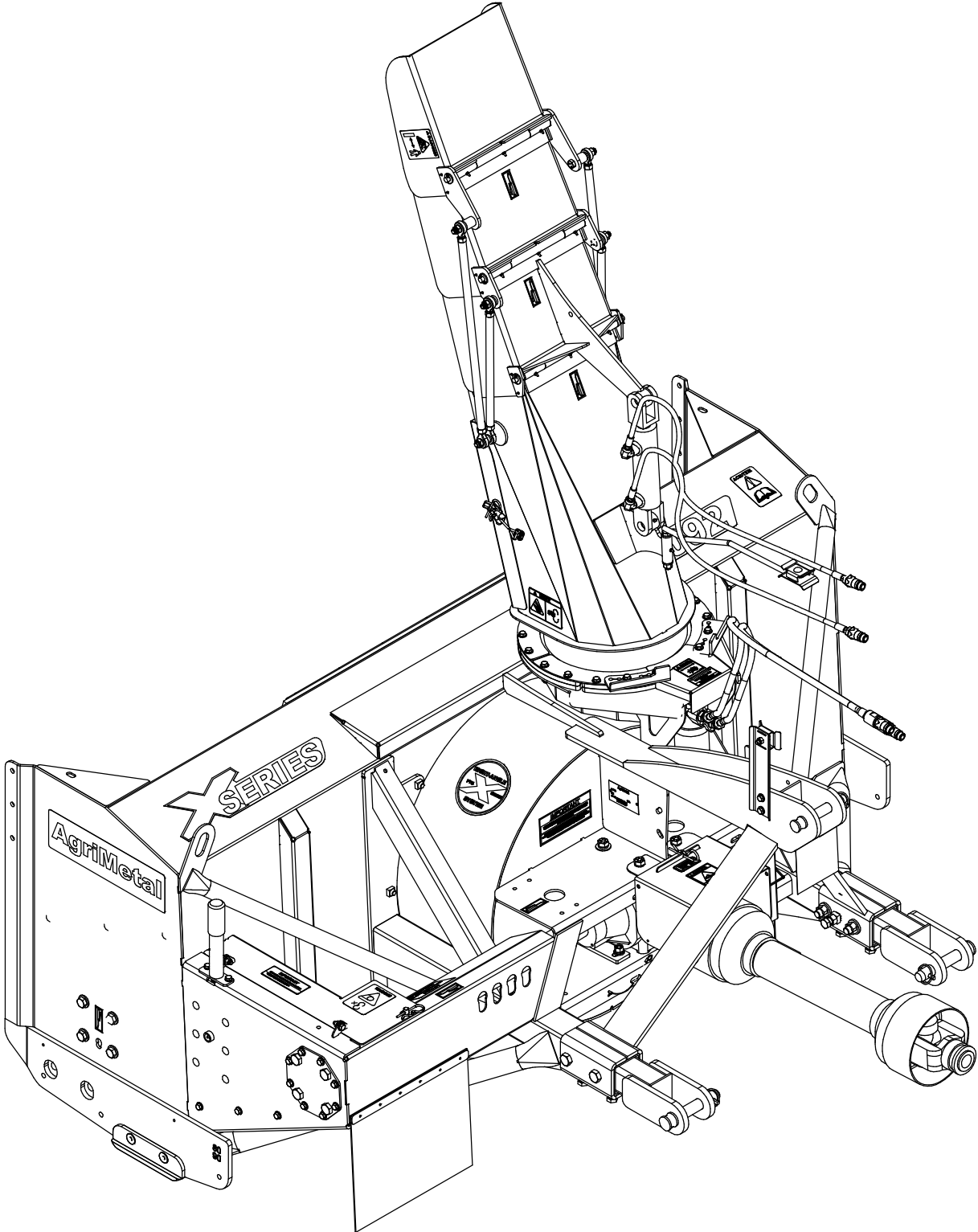


AgriMetal

PART LIST



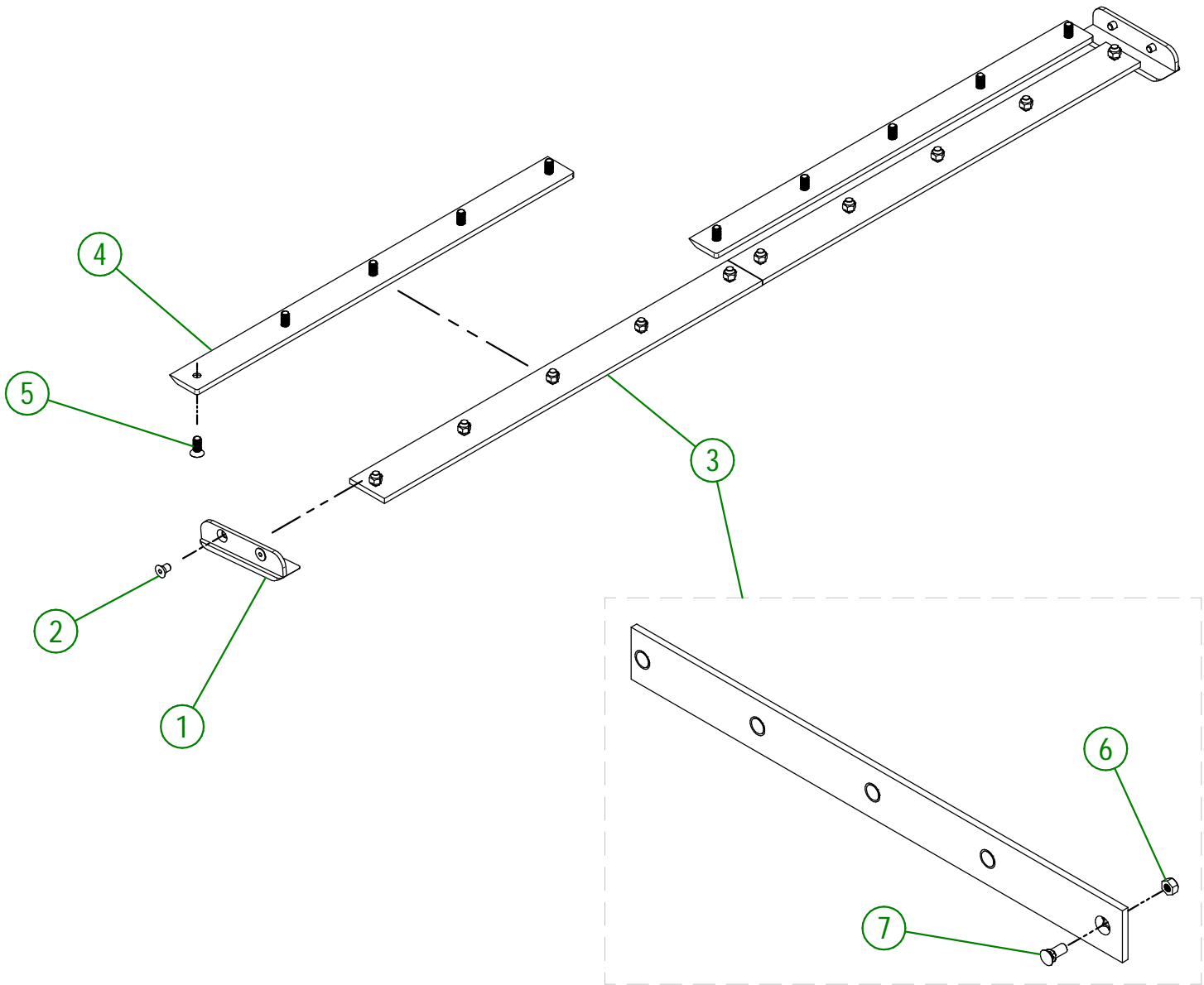
X-9092

102-57-0070

#	PART #	Qty	TITLE
1	80-50-0085	2	LATERAL SKATE (#450 HARDNESS STEEL)
2	NC02-48-0586	4	FLAT HEAD SOCKET CAP SCREW 5/8-11 X 1" LG
3	81-57-0230	2	KNIFE (#450 HARDNESS STEEL) GROUP (BOLTS AND NUTS INCLUDED)
4	102-04-0130	2	SKATE (#450 HARDNESS STEEL)
5	NC02-48-0562	10	FLAT HEAD SOCKET CAP SCREW STAINLESS 5/8-11 X 1 1/2"

81-57-0230

#	PART #	QTY	TITLE
6	NC01-93-0016	5	LOCK NUT ZINC 5/8-11
7	NC01-09-0039	5	PLOW BOLT GR5 5/8-11 X 1 1/2" LG



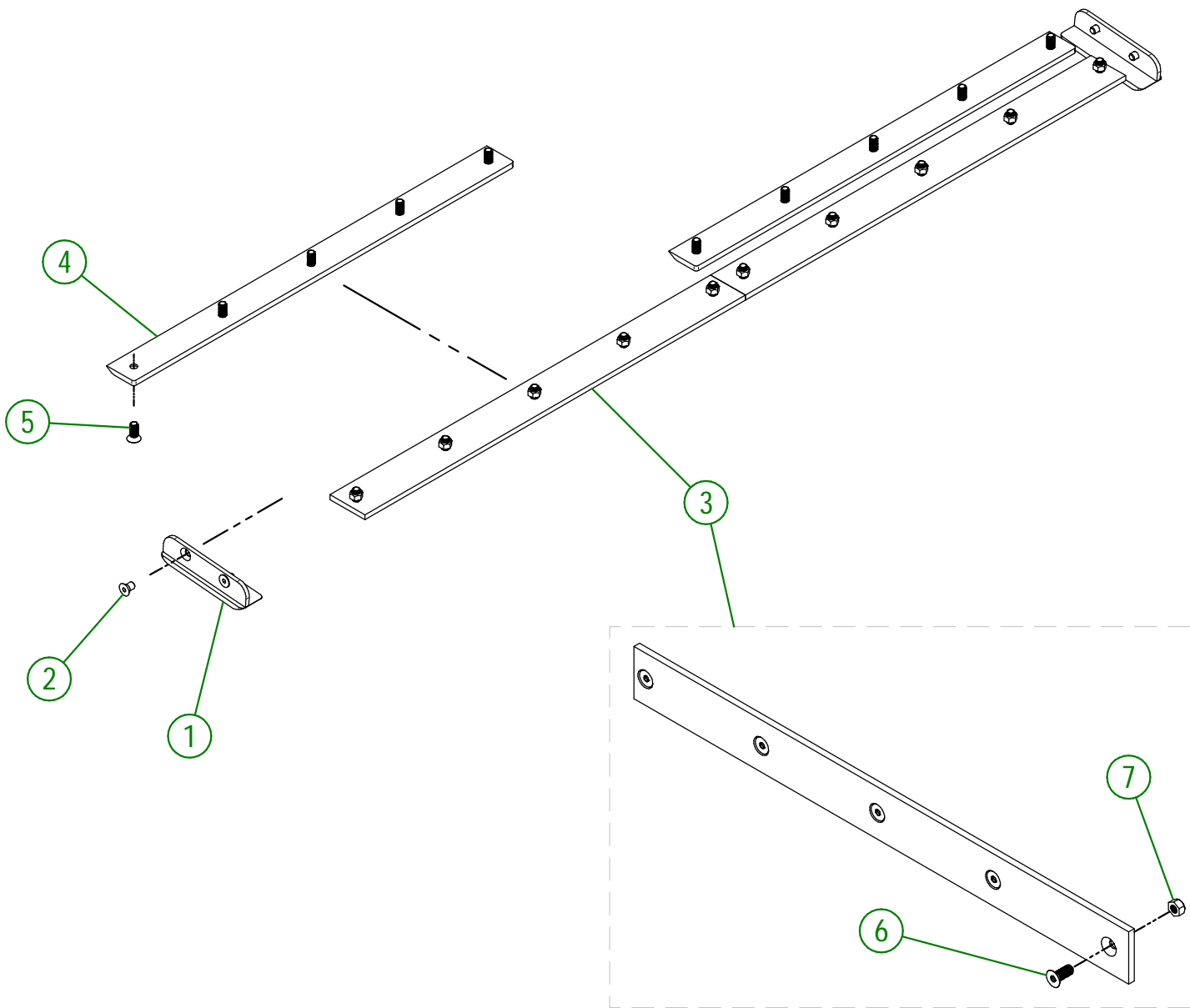
AGRIMETAL	
SET OF KNIVES (#450 HARDNESS STEEL)	
CREATION : 23/08/23	ASSEMBLY : 102-57-0070
REVISION : 25/09/23	AUTHOR : J. Houle

102-57-0065

#	PART #	Qty	TITLE
1	80-50-0087	2	LATERAL SKATE (STAINLESS STEEL)
2	NC02-48-0586	4	FLAT HEAD SOCKET CAP SCREW 5/8-11 X 1" LG
3	81-57-0235	2	KNIFE (STAINLESS STEEL) GROUP (BOLTS AND NUTS INCLUDED)
4	102-20-0030	2	SKATE (STAINLESS)
5	NC02-48-0562	10	FLAT HEAD SOCKET CAP SCREW STAINLESS 5/8-11 X 1 1/2"

81-57-0235

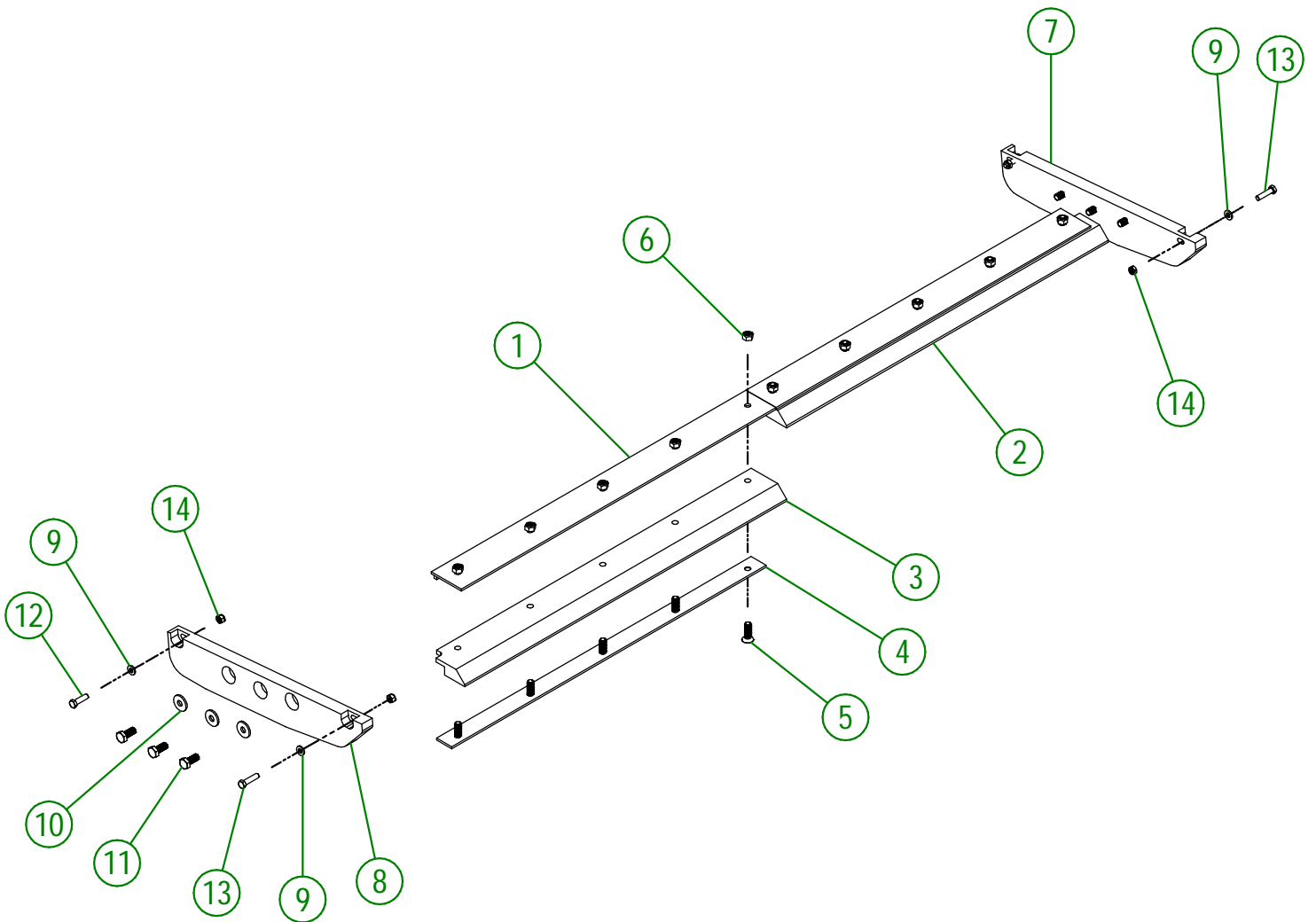
#	PART #	QTY	TITLE
6	NC02-48-0562	5	FLAT HEAD SOCKET CAP SCREW STAINLESS 5/8-11 X 1 1/2"
7	NC01-93-0016	5	LOCK NUT ZINC 5/8-11



AGRIMETAL	
SET OF KNIVES (STAINLESS STEEL)	
CREATION : 23/08/23	ASSEMBLY : 102-57-0065
REVISION : 25/09/23	AUTHOR : J. Houle

102-57-0073

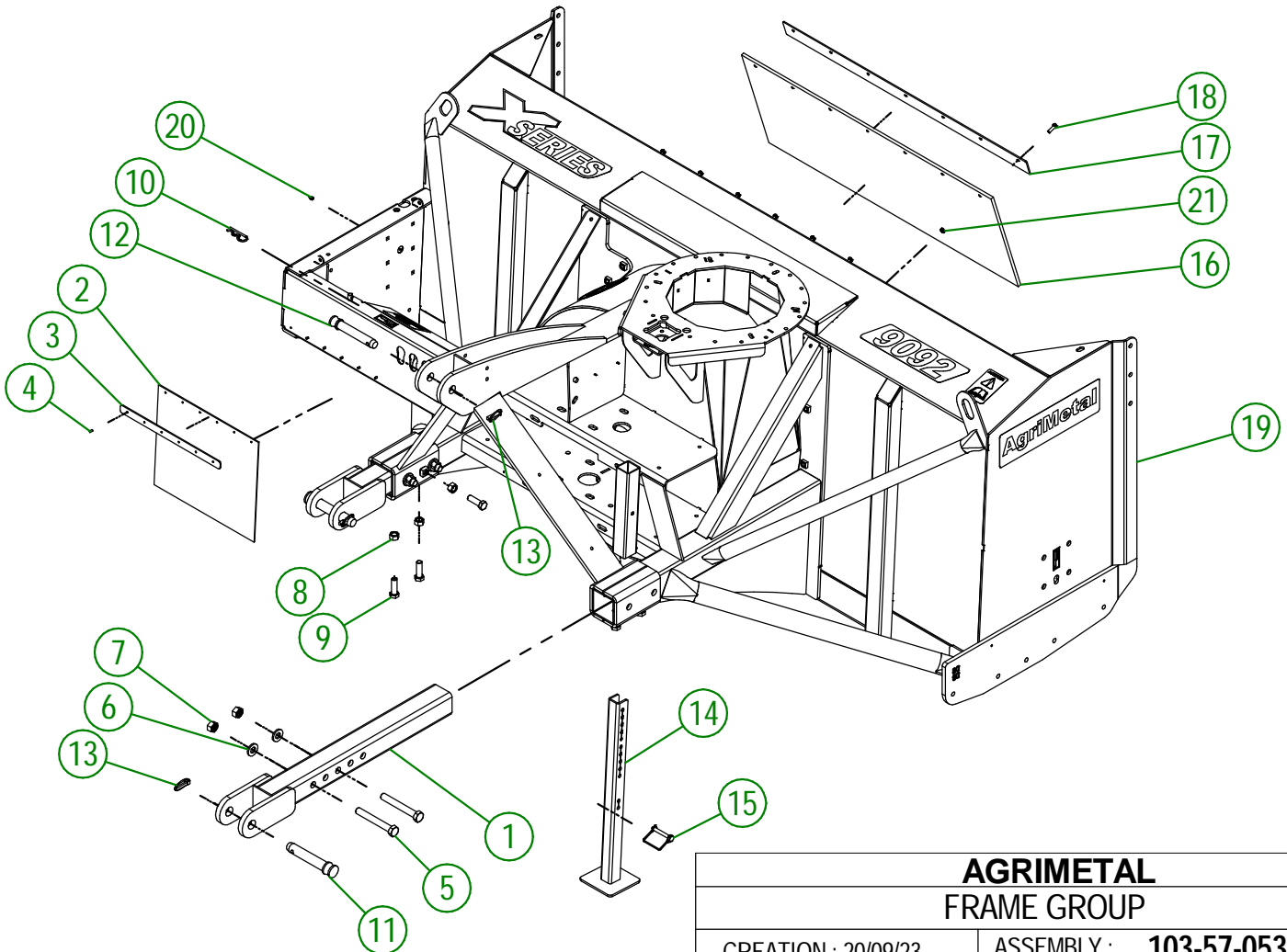
#	PART #	Qty	TITLE
1	81-50-0700	2	KNIFE BRACE (TOP)
2	81-42-0105	1	RIGHT KNIFE (UHMW)
3	81-42-0106	1	LEFT KNIFE (UHMW)
4	81-04-0350	2	KNIFE BRACE (UNDER)
5	NC02-48-0564	10	FLAT HEAD SOCKET CAP SCREW STAINLESS 5/8-11 X 2" LG
6	NC01-93-0016	10	LOCK NUT ZINC 5/8-11
7	102-42-0005	1	LATERAL KNIFE (RIGHT)
8	102-42-0000	1	LATERAL KNIFE (LEFT)
9	01-01-0925	4	WASHER
10	80-04-0185	6	WASHER
11	NC01-17-0394	6	HEX. BOLT GR2 ZINC 5/8-11 X 1 1/2"
12	NC01-17-0250	2	HEX. BOLT GR2 ZINC 1/2-13 X 1 3/4"
13	NC01-17-0251	2	HEX. BOLT GR2 ZINC 1/2-13 X 2"
14	NC01-93-0014	4	LOCK NUT ZINC 1/2-13



AGRIMETAL	
SET OF KNIVES (UHMW)	
CREATION : 23/08/23	ASSEMBLY : 102-57-0073
REVISION : 23/08/23	AUTHOR : J. Houle

103-57-0530

#	PART #	Qty	TITLE
1	102-50-0005	2	ATTACHMENT HAND
2	NC13-15-0300	1	SNOW GUARD
3	80-01-1075	1	SNOW GUARD BRACE
4	NC01-78-0016	6	ALUMINIUM BLIND POP RIVET STEEL MANDREL 0.187 X 0.690
5	NC01-33-0481	4	HEX. BOLT GR8 ZINC 3/4-10 X 5 1/2"
6	22-04-6805	4	FLAT WASHER BEARING BASE
7	NC01-93-0017	4	HEX. LOCKNUT STEEL NC Z 3/4-10
8	NC02-07-0022	6	HEX. NUT ZINC 5/8-11
9	NC01-17-0396	6	HEX. BOLT GR2 ZINC 5/8-11 X 2"
10	NC01-63-0026	1	COTTER PIN ZC 5/32" X 3"
11	48-20-0065	2	3 POINT PIN
12	48-20-0060	1	3 POINT PIN
13	NC01-69-1100	3	LINCH PIN 3/8"
14	81-50-0090	1	STAND
15	NC01-69-1306	1	LOCKING PIN 3/8" X 2 1/2" LG
16	NC13-15-0322	1	RUBBER
17	81-57-0250	1	RUBBER REINFORCEMENT
18	NC01-17-0060	7	HEX. BOLT GR2 ZINC 5/16-18 X 1"
19	103-57-0590	1	FRAME (STICKERS INCL.)
20	NC01-69-0785	1	STRAIGHT GREASE FITTING 1/4-28
21	NC01-93-0010	7	LOCK NUT ZINC 5/16-18

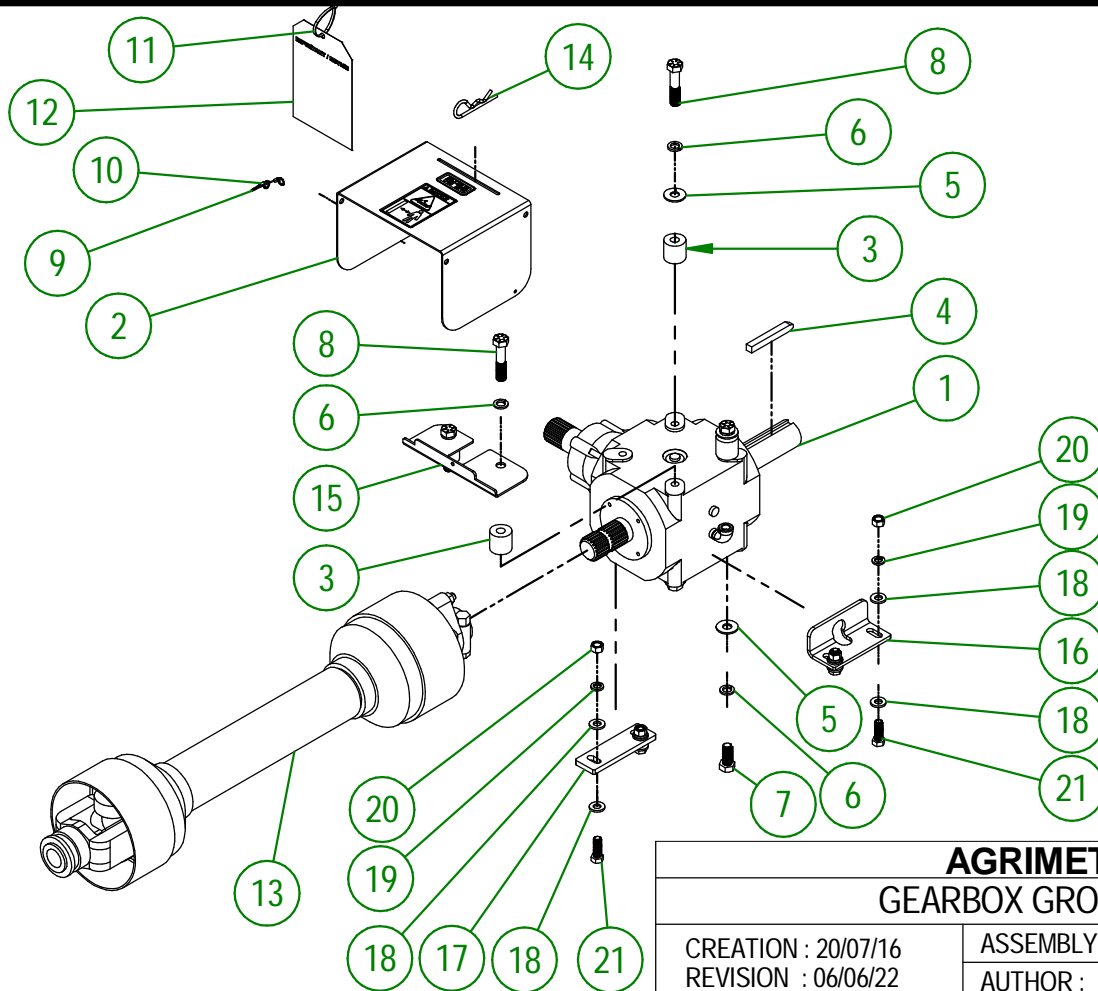


AGRIMETAL
FRAME GROUP

CREATION : 20/09/23
REVISION : 20/09/23

ASSEMBLY : **103-57-0530**
AUTHOR : D. CHASSÉ

#	PART #	Qty	TITLE
1	83-55-0010	1	GEAR BOX ASSY.
2	81-57-0040	1	PTO GUARD
3	83-21-0000	4	TRANSMISSION BUSHING
4	83-41-0900	1	IMPELLER KEY
5	NC02-22-0013	6	WASHER ZINC 5/8 ID X 1 1/2 OD
6	NC02-32-0016	8	LOCK WASHER ZINC 5/8"
7	NC01-33-0394	4	HEX. BOLT GR8 NC ZINC 5/8-11 X 1 1/2" LG.
8	NC01-33-0400	4	CAP SCREW GR8 NC ZINC 5/8-11 X 3" LG
9	80-41-0135	1	PTO GUARD STEEL CABLE
10	NC01-64-0005	2	OVAL SLEEVE (ALUMINUM)
11	NC13-25-0019	1	BLACK TIE RAP
12	NC13-50-0110	1	IMPORTANT/NOTICE PTO POSTER
13	83-34-0035	1	PTO SHAFT V90
14	NC01-63-0027	1	HAIRPIN COTTER
15	83-01-0170	1	PTO GUARD SUPPORT
16	80-04-0485	1	GEARBOX BRACE
17	80-04-0480	1	GEARBOX BRACE
18	NC02-25-0011	8	WASHER SAE ZINC 17/32 ID
19	NC02-32-0014	4	LOCK WASHER ZINC 1/2"
20	NC02-07-0020	4	HEX. NUT ZINC 1/2-13
21	NC01-33-0249	4	CAP SCREW GR8 NC ZINC 1/2-13 X 1 1/2" LG
22	01-01-1660	2	WASHER SPACER



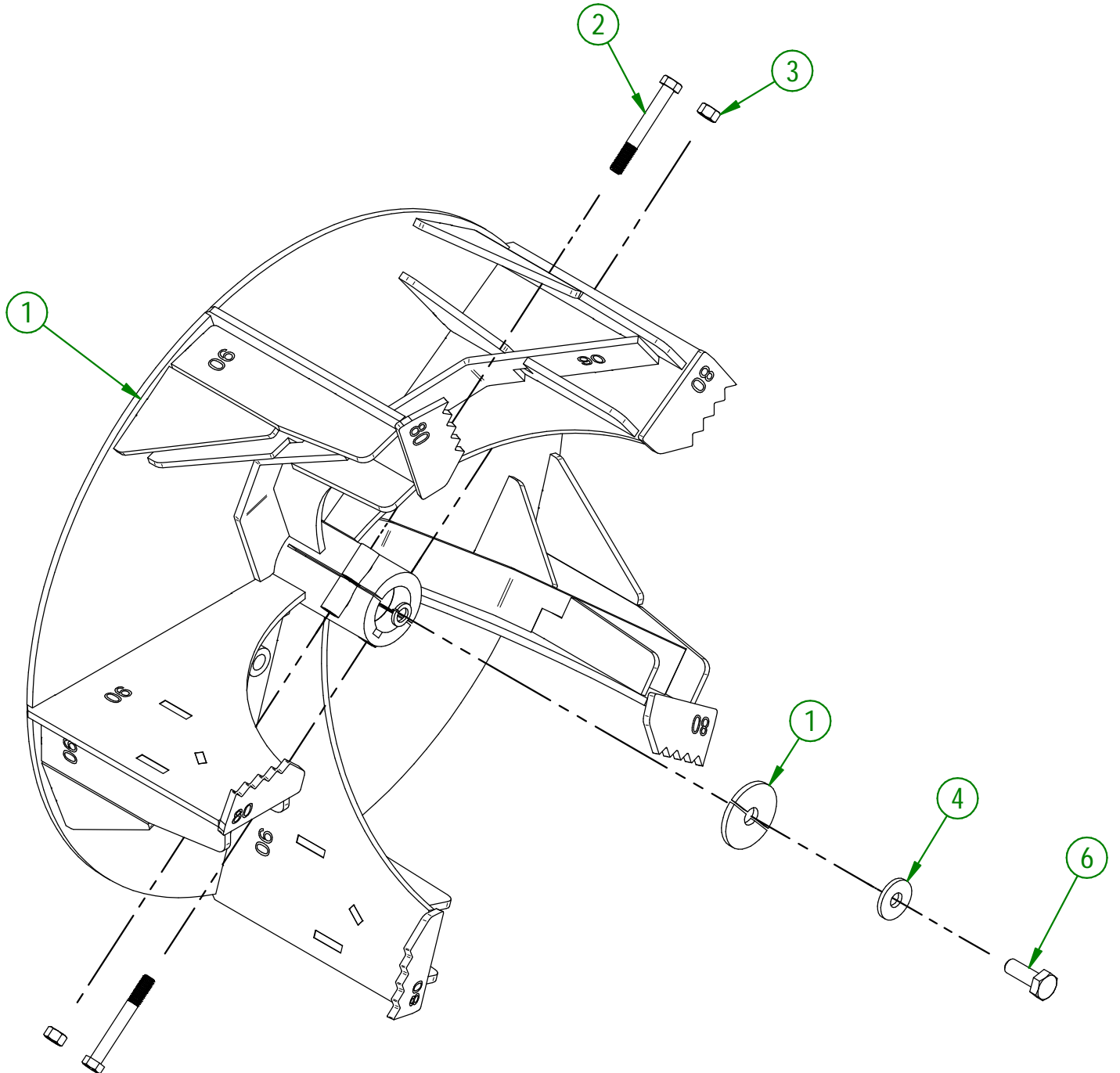
AGRIMETAL
GEARBOX GROUPING

CREATION : 20/07/16
REVISION : 06/06/22

ASSEMBLY : **83-57-0430**
AUTHOR : Dessin2

103-57-0086

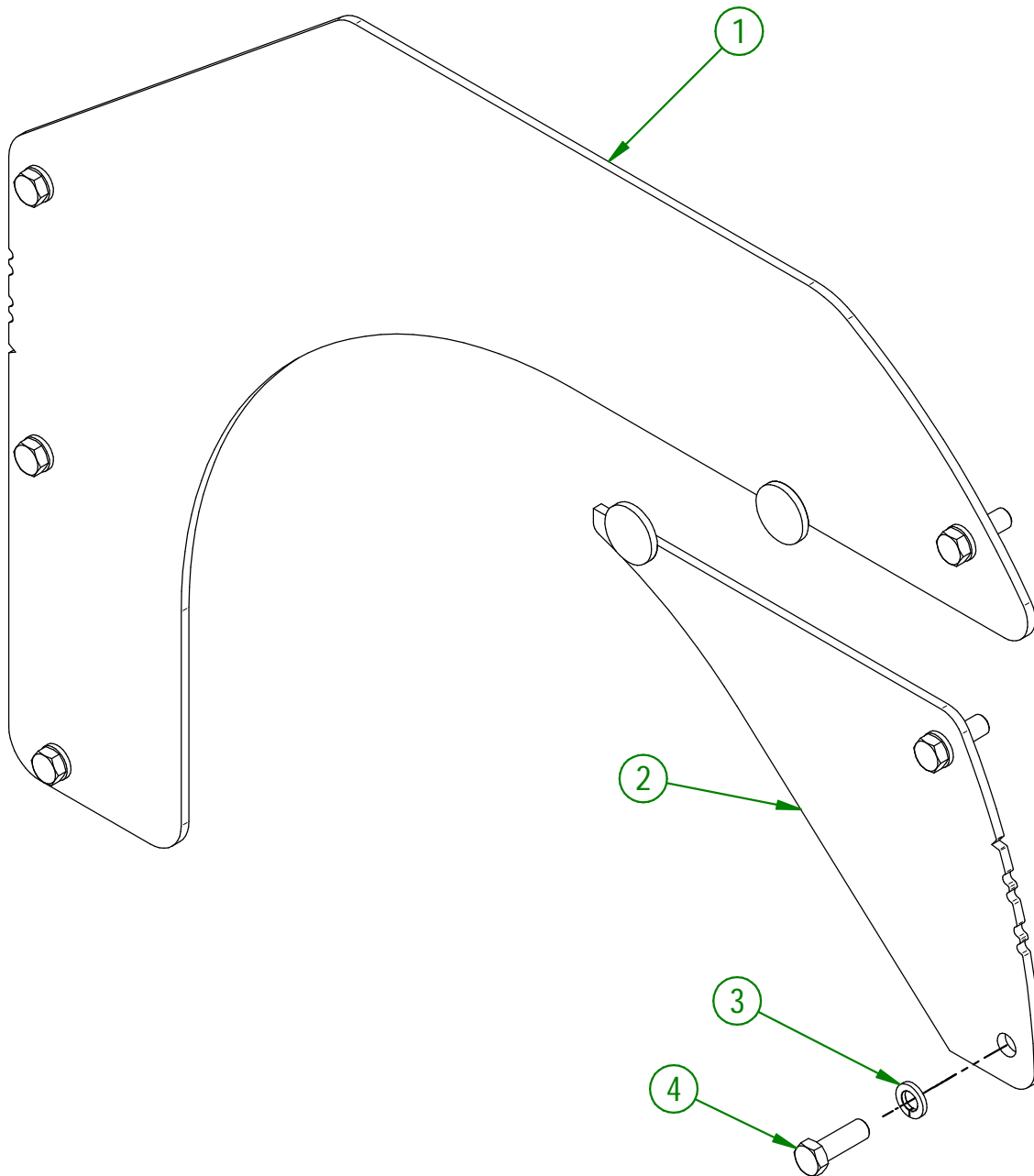
#	PART #	Qty	TITLE
1	103-50-0056	1	IMPELLER
2	NC01-37-0259	2	HEX. BOLT GR8 NF ZINC 1/2-20 X 4" LG
3	NC01-94-0013	2	NYLON NUT ZINC 1/2-20"
4	80-04-0185	1	WASHER
5*	NC02-32-0016	1	LOCK WASHER ZINC 5/8"
6	NC01-25-0395	1	HEX. BOLT GR5 ZINC 5/8-11 X 1 3/4" LG



AGRIMETAL	
IMPELLER GROUP	
CREATION : 19/09/23	ASSEMBLY : 103-57-0086
REVISION : 19/09/23	AUTHOR : D. CHASSÉ

102-57-0036

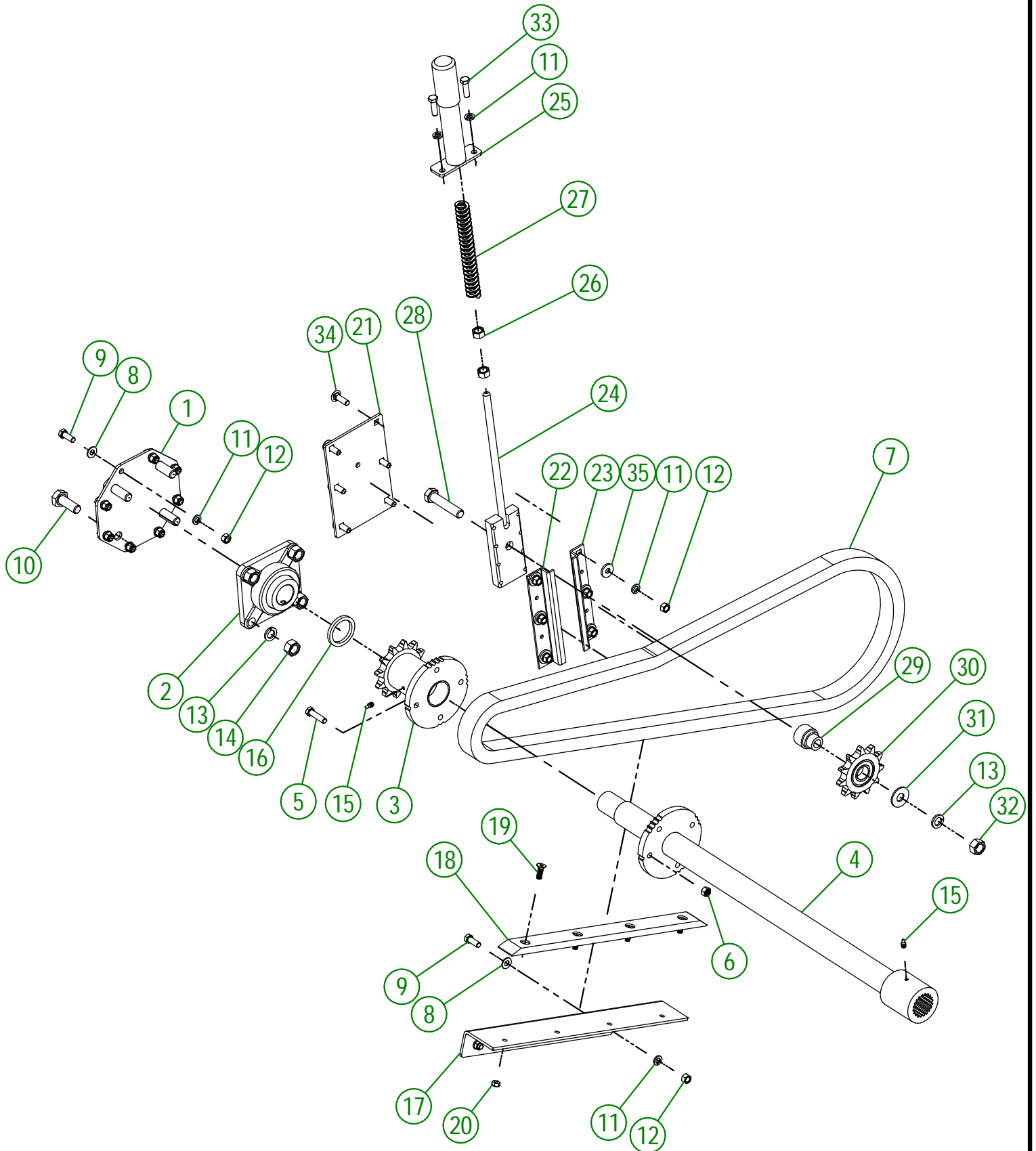
#	PART #	Qty	TITLE
1	102-50-0041	1	LEFT SNOW GUARD
2	102-50-0045	1	RIGHT SNOW GUARD
3	NC02-32-0014	6	LOCK WASHER ZINC 1/2"
4	NC01-25-0249	6	HEX. BOLT GR5 ZINC 1/2-13 X 1 1/2" LG



AGRIMETAL
SNOW GUARD GROUP

CREATION : 19/09/23
REVISION : 19/09/23

ASSEMBLY : **102-57-0036**
AUTHOR : D. CHASSÉ



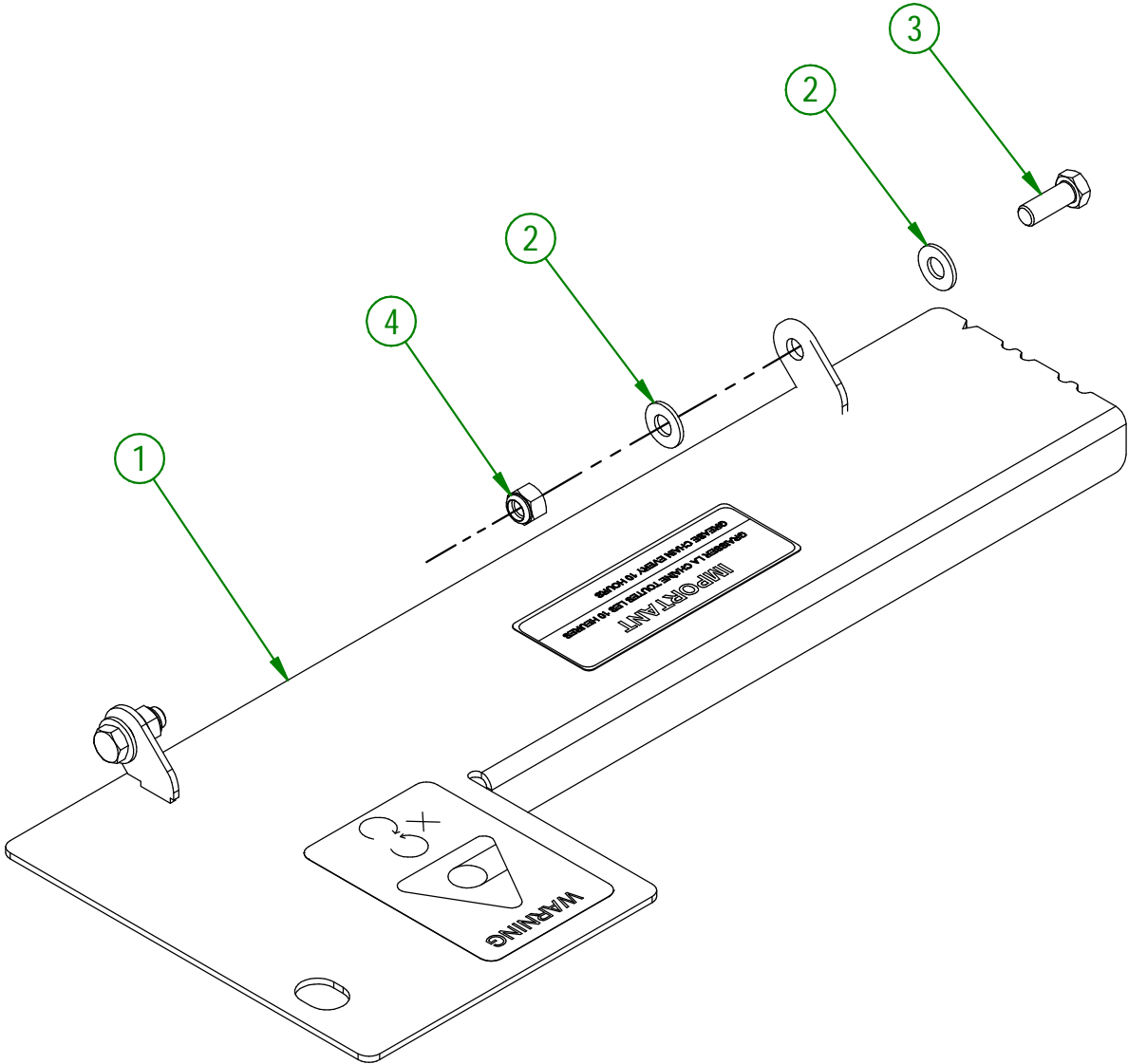
AGRIMETAL	
SPIRAL DRIVE TRAIN GROUP	
CREATION : 20/09/23	ASSEMBLY : 103-57-0220
REVISION : 20/09/23	AUTHOR : D. CHASSÉ

103-57-0220

#	PART #	Qty	TITLE
1	81-04-0010	1	BEARING SUPPORT
2	NC14-75-0025	1	FLANGE BEARING 4 HOLES UCF 208-24 X 1 1/2"
3	NC14-55-0328	1	SPROCKET
4	83-50-0566	1	SPIRAL DRIVE TRAIN
5	NC01-25-0116	1	HEX. BOLT GR5 ZINC 3/8-16 X 1 1/2"
6	NC01-93-0011	1	LOCK NUT 3/8-16
7	103-37-0001	1	#80 CHAIN
8	01-01-2485	11	FLAT WASHER 14 GA X 13/16"OD X 25/64" ID
9	NC01-25-0114	11	HEX. BOLT GR2 ZINC 3/8-16 X 1"
10	NC01-25-0395	4	HEX. BOLT GR5 ZINC 5/8-11 X 1 3/4" LG
11	NC02-32-0012	19	LOCK WASHER ZINC 3/8"
12	NC02-07-0018	17	HEX. NUT ZINC 3/8-16
13	NC02-32-0016	5	LOCK WASHER ZINC 5/8"
14	NC02-07-0022	4	HEX. NUT ZINC 5/8-11
15	NC01-69-0785	2	STRAIGHT GREASE FITTING 1/4-28
16	81-21-0010	1	SPIRAL DRIVE TRAIN BUSHING
17	102-04-0365	1	WEAR STRIP HOLDER
18	102-42-0010	1	SLIDING CHAIN STRIP
19	NC02-48-0021	4	FLAT HEAD SOCKET CAP SCREW 5/16-18 X 1"
20	NC01-93-0010	4	LOCK NUT ZINC 5/16-18
21	102-04-0180	1	CHAIN TENSIONER HOLD DOWN PLATE
22	81-01-0927	1	SUPPORT FOR CHAIN TENSIONER
23	81-01-0928	1	SUPPORT FOR CHAIN TENSIONER
24	81-50-0078	1	SUPPORT FOR CHAIN TENSIONER
25	102-50-1065	1	SPRING GUIDE
26	NC02-07-0020	2	HEX. NUT ZINC 1/2-13
27	NC13-86-0369	1	GREEN SPRING 1/2" ID X 1" OD X 8" LG
28	NC01-29-0400	1	HEX. BOLT GR5 ZINC 5/8-18 X 3"
29	102-21-0015	1	CHAIN TENSIONER BUSHING
30	81-55-0005	1	CHAIN TENSIONER SPROCKET
31	NC02-22-0013	1	WASHER ZINC 5/8 ID X 1 1/2 OD
32	NC02-10-0022	1	HEX. NUT ZINC 5/8-18
33	NC01-25-0115	2	HEX. BOLT GR5 ZINC 3/8-16 X 1 1/4"
34	NC01-07-0110	6	CARR. BOLT GR5 ZINC 3/8-16 X 1 1/4"
35	21-01-0950	6	FLAT WASHER 10GA 1.005" DIA X 25/64"

103-57-0076

#	PART #	Qty	TITLE
1	103-57-0081	1	CHAIN GUARD
2	01-01-2485	4	FLAT WASHER 14 GA X 13/16"OD X 25/64" ID
3	NC01-17-0114	2	HEX. BOLT GR2 ZINC 3/8-16 X 1"
4	NC01-96-0011	2	NYLON NUT 3/8-16

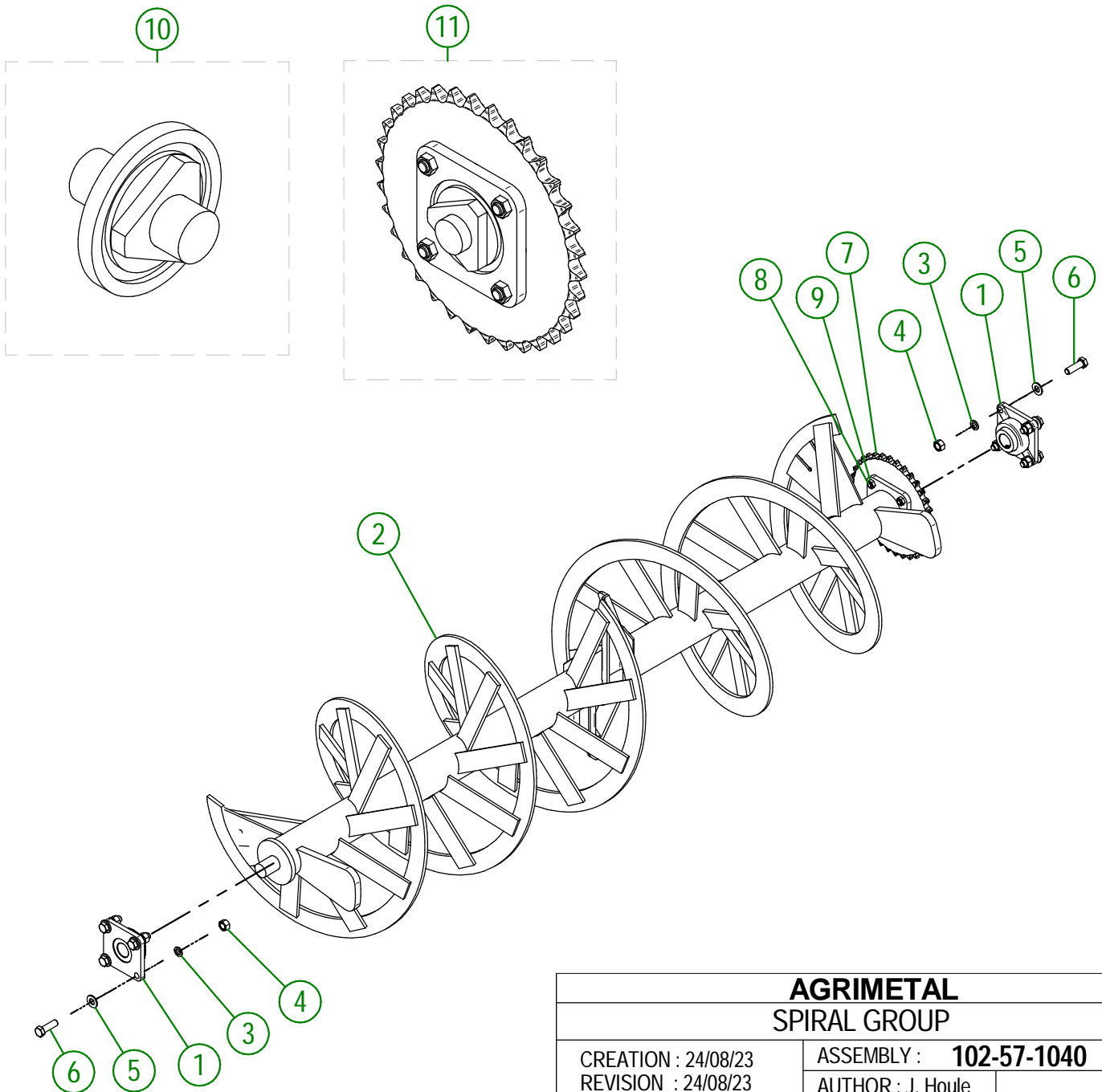


AGRIMETAL	
CHAIN GUARD GROUP	
CREATION : 19/09/23	ASSEMBLY : 103-57-0076
REVISION : 19/09/23	AUTHOR : D. CHASSÉ

102-57-1040

#	PART #	Qty	TITLE
1	NC14-75-0161	2	FLANGE BEARING UCF 208-24 1 1/2" ID
2	102-50-1030	1	SPIRAL
3	NC02-32-0016	8	LOCK WASHER ZINC 5/8"
4	NC02-07-0022	8	HEX. NUT ZINC 5/8-11
5	NC02-25-0013	8	WASHER ZINC SAE ZINC 21/32 ID
6	NC01-17-0396	8	HEX. BOLT GR2 ZINC 5/8-11 X 2"
7	NC14-55-0275	1	SPROCKET 80A34 X 1 1/2"
8	NC01-29-0249	4	HEX. BOLT GR2 NC ZINC 1/2-20 X 1 1/2"
9	NC01-94-0013	4	HEX. LOCK NUT NF ZINC 1/2-20
10	102-51-1070	1	SHAFT OF THE SPIRAL
11	102-51-1075	1	SHAFT OF THE SPIRAL (SPROCKET)

REBUILT KIT



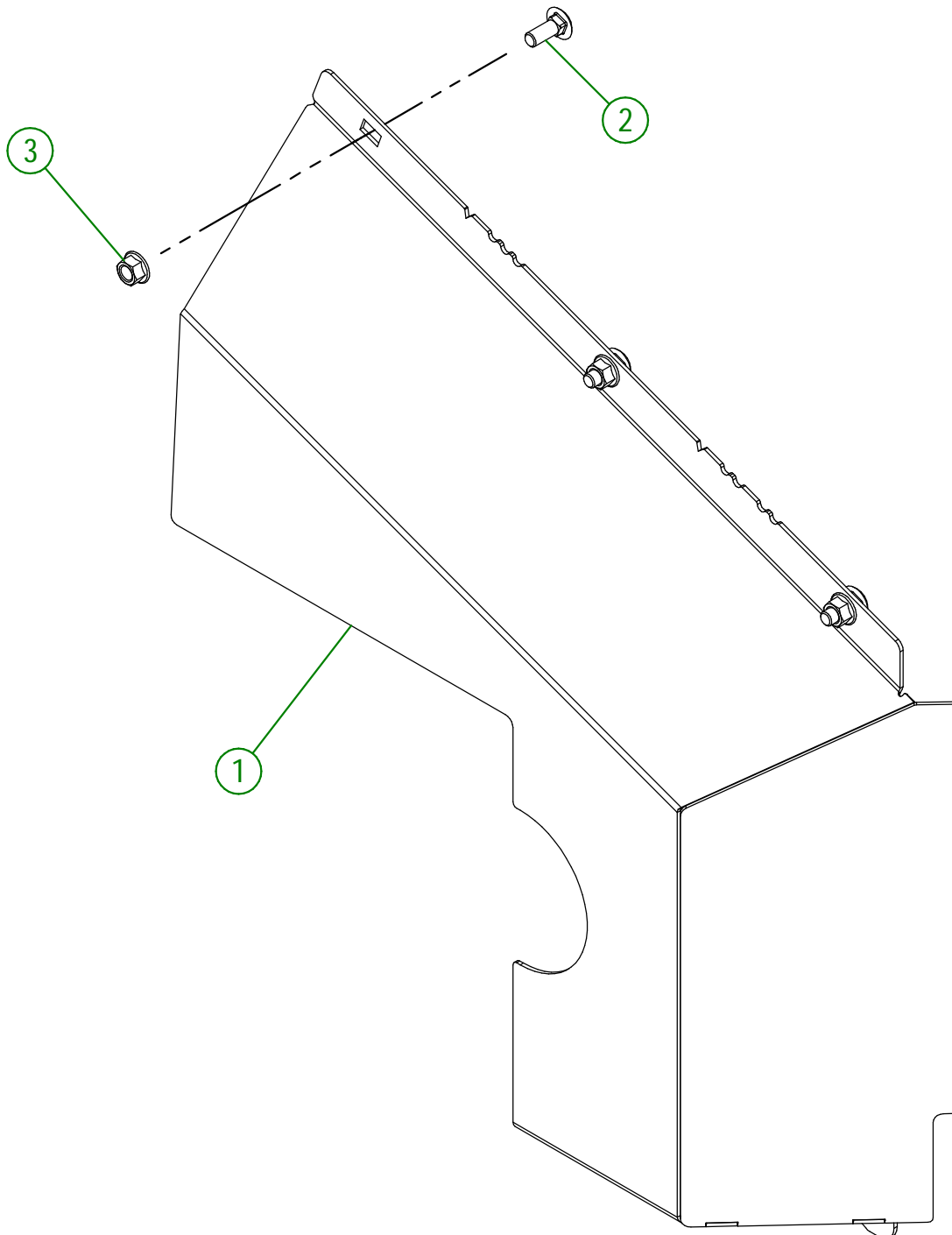
AGRIMETAL
SPIRAL GROUP

CREATION : 24/08/23
REVISION : 24/08/23

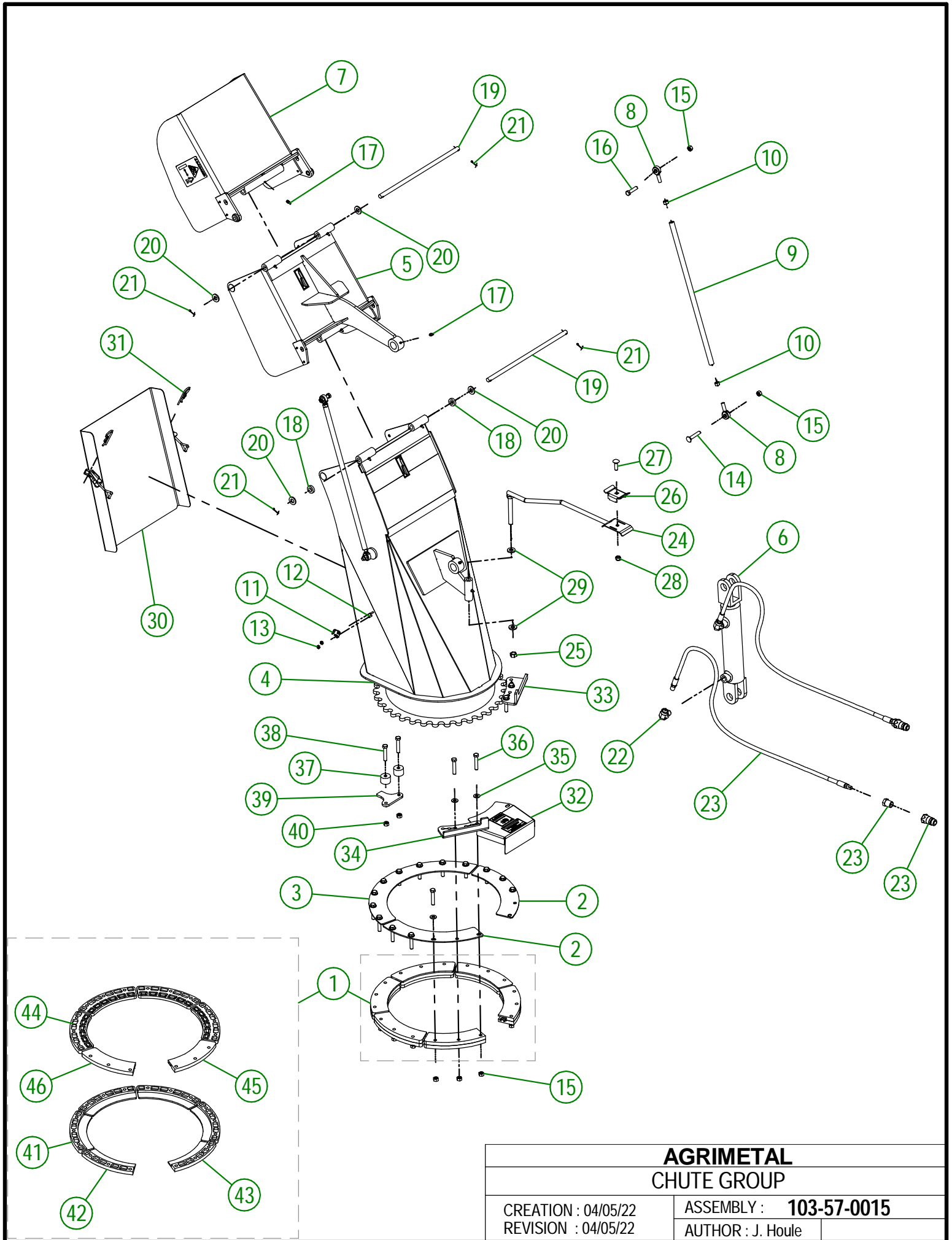
ASSEMBLY : **102-57-1040**
AUTHOR : J. Houle

102-57-1065

#	PART #	Qty	TITLE
1	102-50-1050	1	CHAIN GUARD
2	NC01-04-0109	5	CARR. BOLT GR2 ZINC 3/8-16 X 1"
3	NC02-14-0019	5	FLANGE NUT HEX. NC 3/8-16 GR. B



AGRIMETAL	
SPIRAL CHAIN GUARD GROUP	
CREATION : 21/08/23	ASSEMBLY : 102-57-1065
REVISION : 21/08/23	AUTHOR : J. Houle



AGRIMETAL
CHUTE GROUP

CREATION : 04/05/22
 REVISION : 04/05/22

ASSEMBLY : **103-57-0015**
 AUTHOR : J. Houle

103-57-0015

#	PART #	QTY	TITLE
1	81-57-0550	1	CHUTE GUIDE GROUP
2	48-01-1165	2	BRACE
3	48-01-1167	1	BRACE
4	103-57-0050	1	CHUTE (BOTTOM SECTION)
5	103-57-0055	1	CHUTE (MIDDLE SECTION)
6	NC13-45-0209	1	HYDRAULIC CYLINDER 6"
7	103-57-0060	1	CHUTE (TOP SECTION)
8	NC01-67-0304	4	ROD END 3/8-24
9	48-13-0600	2	CHUTE ROD (DOUBLE)
10	NC02-10-0018	4	NUT 3/8-24
11	NC01-63-0052	2	ADJUSTABLE LATCH (STRIKE)
12	NC02-40-0080	4	MACHINE SCREWS SQUARE SOCKET #10-24 X 1/2" LG
13	NC01-96-0006	4	NYLON NUT ZINC 3/16
14	NC01-07-0113	2	CARR. BOLT GR5 ZINC 3/8-16 X 2" LG
15	NC01-93-0011	22	LOCK NUT 3/8-16
16	NC01-25-0116	2	HEX. BOLT GR5 ZINC 3/8-16 X 1 1/2"
17	NC01-69-0785	9	STRAIGHT GREASE FITTING 1/4-28
18	NC13-15-0334	2	PIVOT WASHER
19	103-20-0010	2	PIVOT
20	NC02-25-0011	4	WASHER SAE ZINC 17/32 ID
21	NC01-69-0139	4	COTTER PIN ZINC 1/8" X 3/4"
22	NC13-45-0038	2	ELBOW 90 3/8 FEM. NPT X 3/8 MALE NPT
23	48-55-1031	2	HYDRAULIC HOSE 87" LG ASSY.
24	48-50-1030	1	HYDRAULIC HOSE SUPPORT
25	NC01-96-0014	1	NYLON-INSERT LOCKNUT ZINC 1/2-13
26	48-01-7530	1	HYDRAULIC HOSE SUPPORT
27	NC01-04-0110	1	CARR. BOLT GR2 ZINC 3/8-16 X 1 1/4"
28	NC01-96-0011	1	NYLON NUT 3/8-16
29	01-01-0925	2	WASHER
30	103-57-0040	1	CHUTE DOOR
31	NC01-63-0026	2	COTTER PIN ZC 5/32" X 3"
32	80-57-0550	1	SPROCKET GUARD GROUP "STICKER INCLUDED"
33	81-04-0177	1	ADJUSTABLE STOPPER
34	81-04-0175	1	ADJUSTABLE STOPPER
35	01-01-2485	18	FLAT WASHER 14 GA X 13/16"OD X 25/64" ID
36	NC01-17-0118	18	HEX. BOLT GR2 ZINC 3/8-16 X 2"
37	81-21-0040	2	ADJUSTABLE STOPPER SPACER
38	NC01-37-0118	2	HEX. BOLT GR8 ZINC 3/8-24 X 2"
39	84-04-0170	1	STOPPER
40	NC01-94-0011	2	LOCK NUT 3/8-24

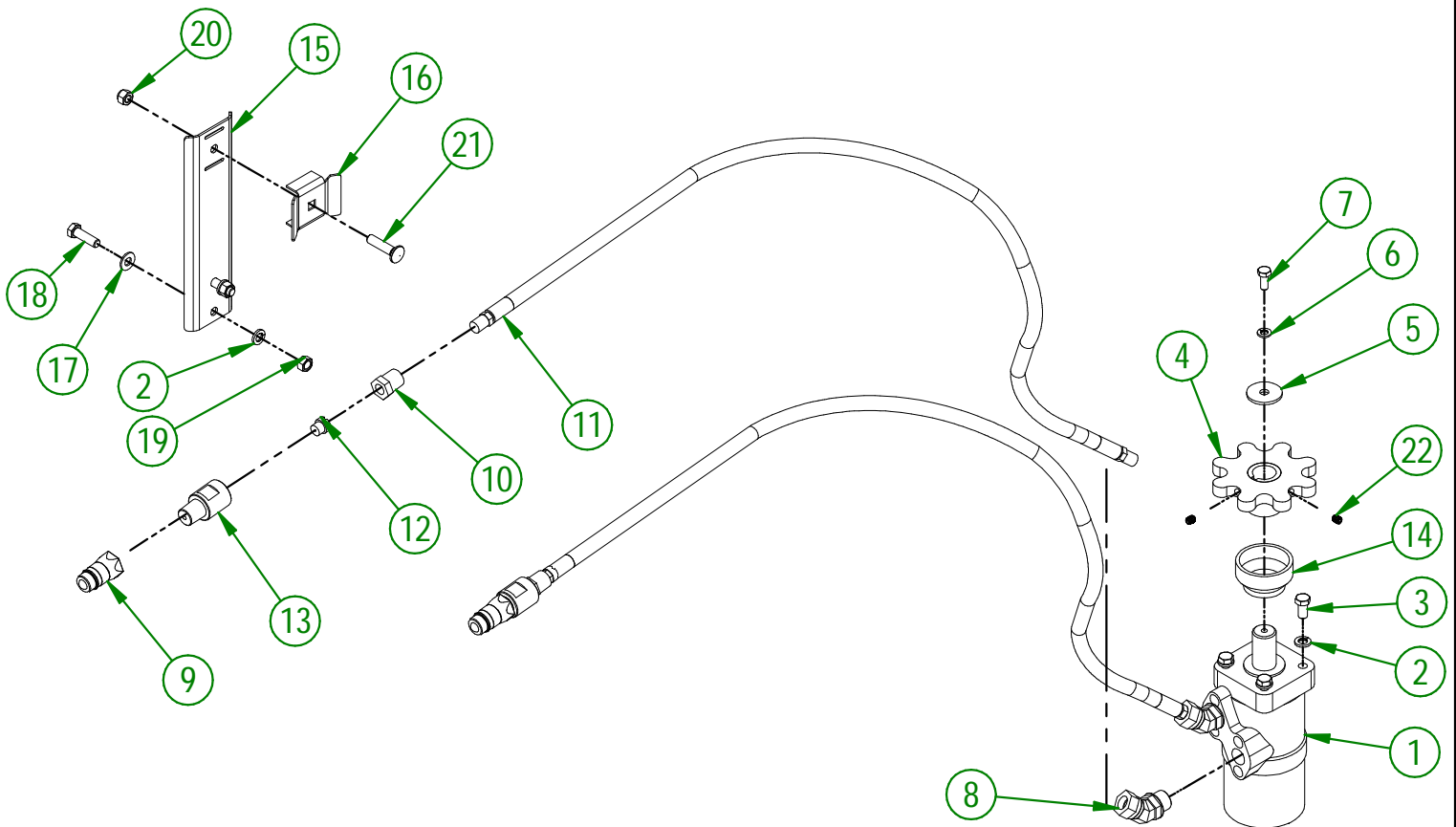
81-57-0550

#	PART #	QTY	TITLE
41	NC17-46-0025	4	CHUTE GUIDE (UNDER)
42	48-42-0305	1	CHUTE GUIDE (UNDER)
43	48-42-0310	1	CHUTE GUIDE (UNDER)
44	NC17-46-0026	4	CHUTE GUIDE (TOP)
45	48-42-0320	1	CHUTE GUIDE (TOP)
46	48-42-0315	1	CHUTE GUIDE (TOP)

84-57-1330

#	PART #	QTY	TITLE
1	NC17-46-0028	4	CHUTE GUIDE (TOP)
2	80-42-0320	1	CHUTE GUIDE (TOP)
3	80-42-0315	1	CHUTE GUIDE (TOP)
4	NC17-46-0027	4	CHUTE GUIDE (UNDER)
5	80-42-0305	1	CHUTE GUIDE (UNDER)
6	80-42-0310	1	CHUTE GUIDE (UNDER)

#	PART #	Qty	TITLE
1	NC14-45-0156	1	HYDRAULIC MOTOR
2	NC02-32-0012	6	LOCK WASHER ZINC 3/8"
3	NC01-17-0112	4	HEX. BOLT GR2 ZINC 3/8-16 X 3/4"
4	48-50-1025	1	HYDRAULIC ENGINE SPROCKET
5	01-33-0010	1	WASHER
6	NC02-32-0011	1	LOCK WASHER ZINC 5/16"
7	NC01-45-0184	1	HEX. BOLT GR8.8 ZINC 8MM X 20MM
8	NC13-45-0367	2	45°-7/8-14 MALE O RING X 1/2 FEM.TOUR.NPT PT
9	NC13-45-0369	2	QUICK COUPLER 1/2-14 NPTF
10	80-45-0000	2	HEX. REDUCER 1/4 NPT X 1/2 NPT
11	NC17-02-0406	2	HYDRAULIC HOSE (87" LG)
12	80-13-0100	2	HYDRAULIC RESTRICTOR
13	NC13-45-0378	2	HYDRAULIC RESTRICTOR BUSHING
14	NC17-46-0031	1	HYDRAULIC MOTOR BUSHING
15	81-01-7600	1	HYDRAULIC HOSE SUPPORT
16	80-01-0020	1	HYDRAULIC HOSE SUPPORT
17	01-01-2485	2	FLAT WASHER 14 GA X 13/16"OD X 25/64" ID
18	NC01-17-0115	2	HEX. BOLT GR2 ZINC 3/8-16 X 1 1/4"
19	NC02-07-0018	2	HEX. NUT ZINC 3/8-16
20	NC01-96-0011	1	NYLON NUT 3/8-16
21	NC01-04-0111	1	CARR. BOLT GR2 ZINC 3/8-16 X 1 1/2"
22	NC02-44-0103	2	SET SCREW 5/16-18 X 3/8"



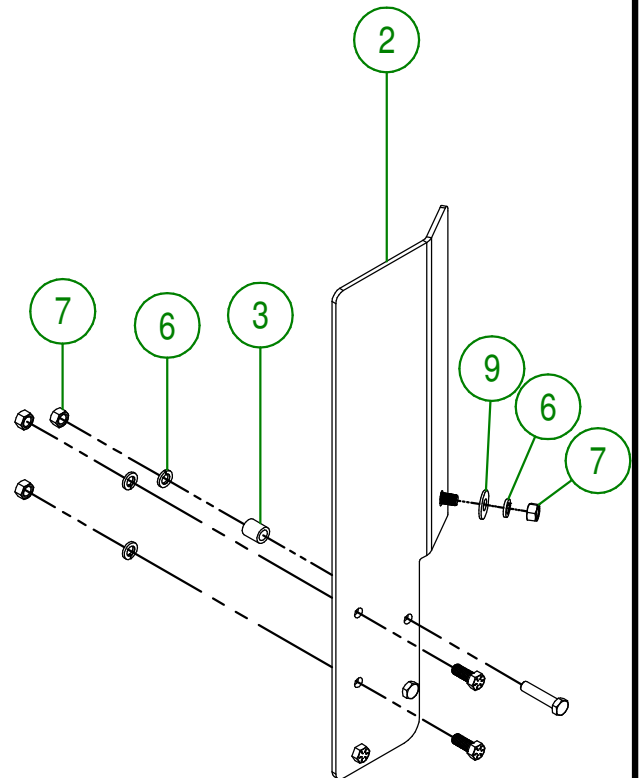
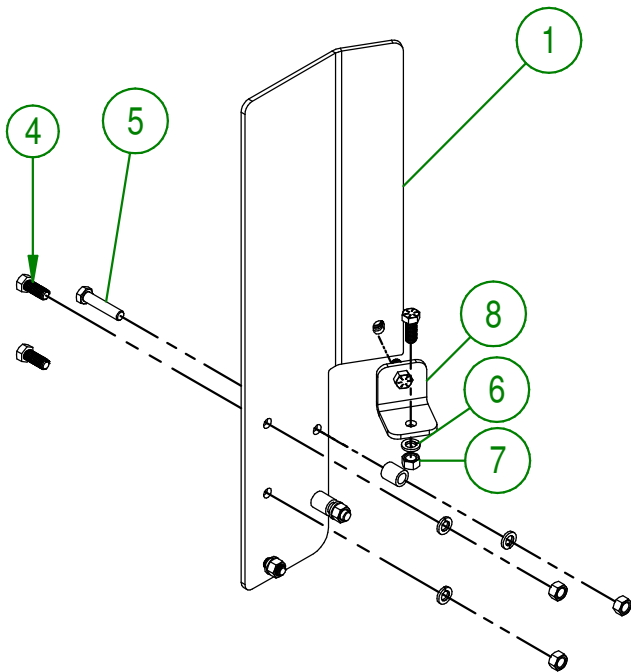
AGRIMETAL
HYDRAULIC MOTOR GROUP

CREATION : 05/12/17
REVISION : 21/08/23

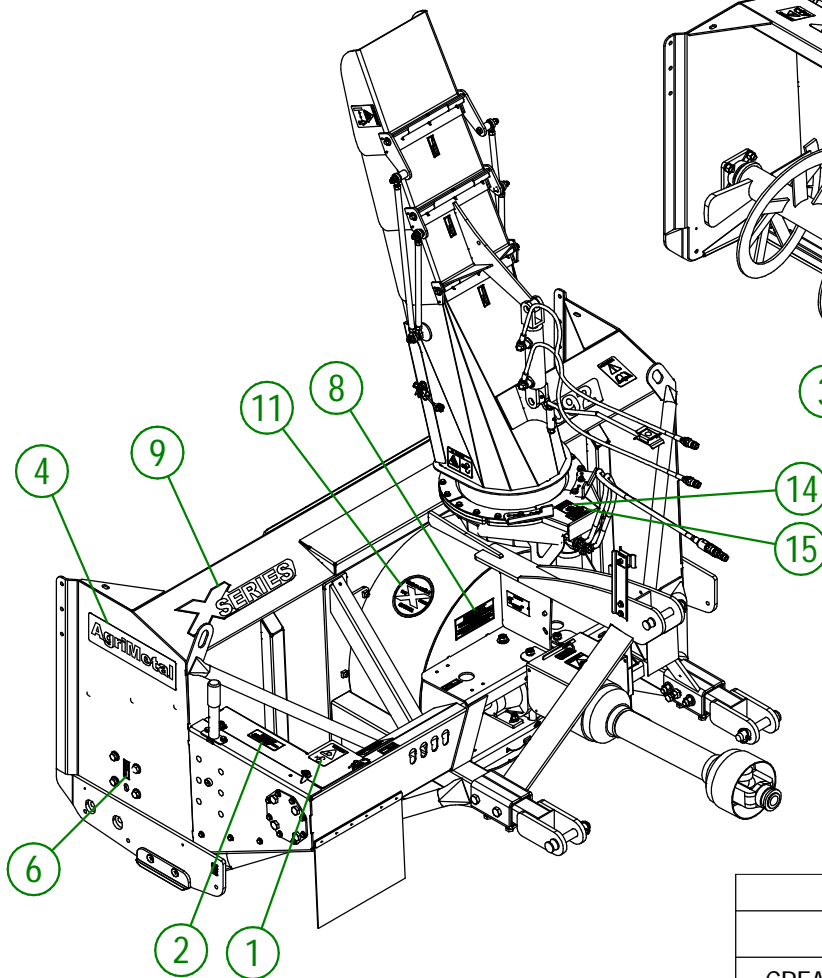
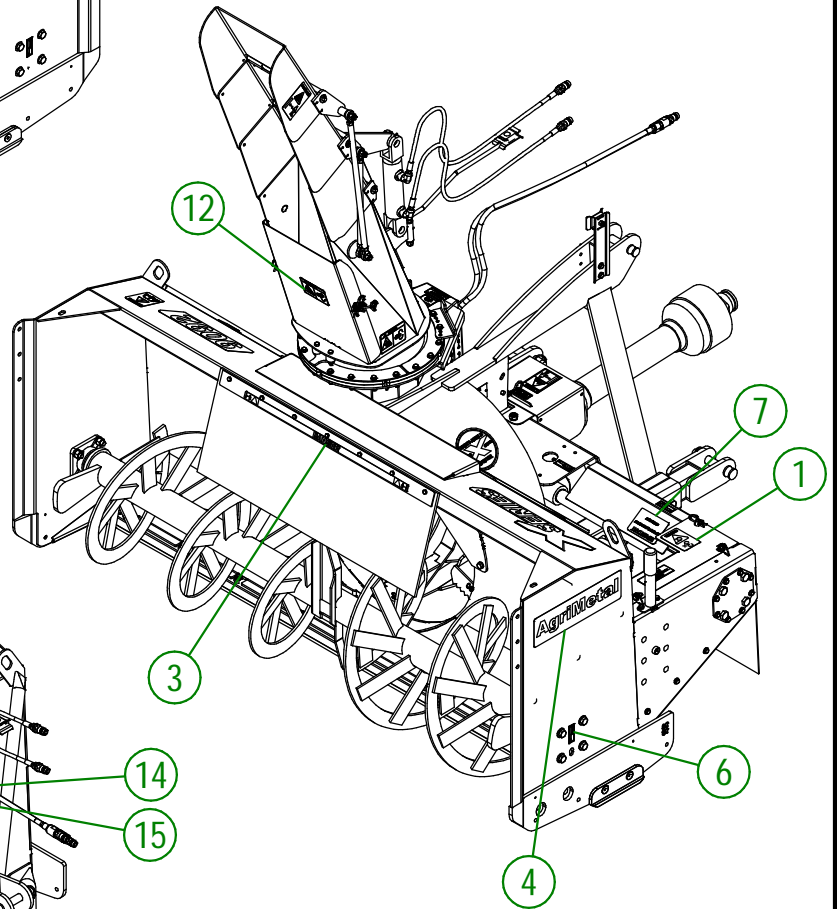
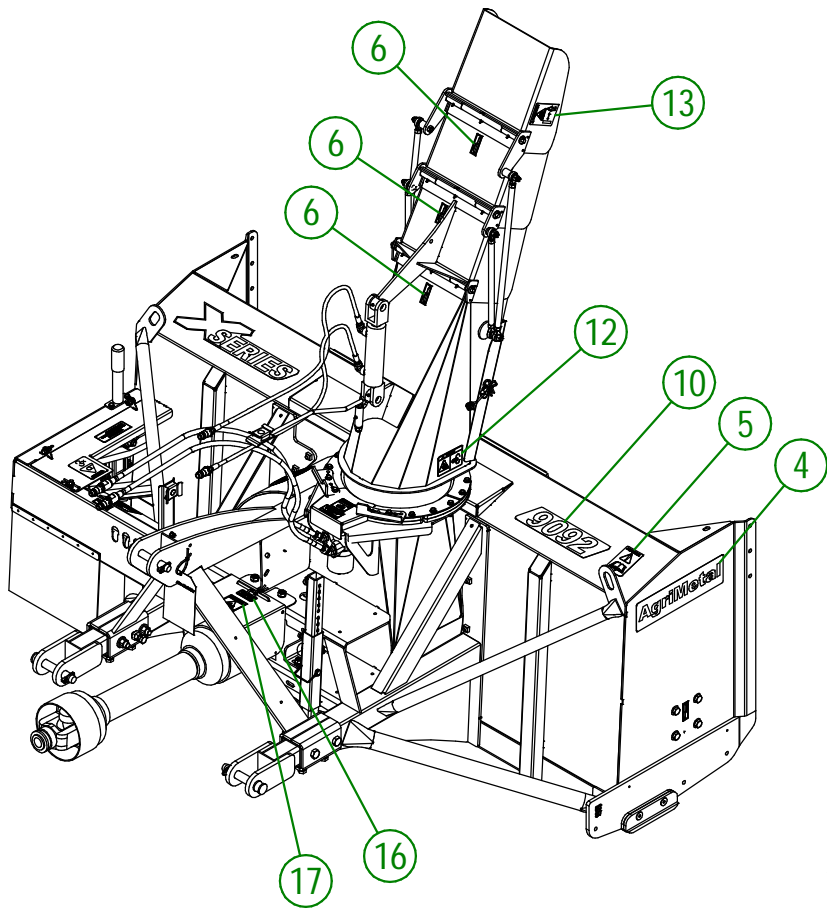
ASSEMBLY : **81-57-5045**
AUTHOR : F.HÉLIE

81-57-0215

#	PART #	Qty	TITLE
1	81-20-0337	1	LATERAL CUTTER BLADES (LEFT)
2	81-20-0335	1	LATERAL CUTTER BLADES (RIGHT)
3	81-10-0000	4	LATERAL CUTTER BLADES BUSHING
4	NC01-33-0248	10	HEX. BOLT .GR8 NC ZINC 1/2-13 X 1 1/4"
5	NC01-33-0514	4	HEX. BOLT GR8 ZINC 1/2-13 X 2 1/4"
6	NC02-32-0014	14	LOCK WASHER ZINC 1/2"
7	NC02-07-0020	14	HEX. NUT ZINC 1/2-13
8	81-04-0525	2	LATERAL KNIFE REINFORCE
9	NC02-22-0012	2	WASHER ZINC 1/2 BOLT = 9/16"Ø X 1 3/8" OD



AGRIMETAL	
LATERAL CUTTER BLADES	
CREATION : 24/11/17	ASSEMBLY : 81-57-0215
REVISION : 06/12/21	AUTHOR : J. Houle



AGRIMETAL	
9092	
CREATION : 20/09/23	ASSEMBLY : 103-99-0500
REVISION : 20/09/23	AUTHOR : D. CHASSÉ

103-99-0500

#	PART #	QTY	TITLE
1	NC13-33-0283	1	STICKER DANGER (PERSON AND CHAIN DRIVE)
2	NC13-33-0343	1	GREASE CHAIN EVERY 10 HOURS STICKER
3	NC13-33-0274	1	STICKER DANGER
4	NC13-33-0001	2	STICKER AGRIMETAL
5	NC13-33-0183	1	STICKER CAUTION OPERATION MANUAL
6	NC13-33-0024	7	STICKER GREASE HERE
7	NC13-33-0281	1	STICKER SHEAR BOLT
8	NC13-33-0317	1	STICKER GREASE DRIVE LINE TELESCOPIC SHAFT
9	NC13-33-2670	1	STICKER X SERIES
10	NC13-33-2668	1	STICKER 9092
11	NC13-33-2669	1	STICKER ANGLE RIGHT
12	NC13-33-0249	3	STICKER DANGER
13	NC13-33-0192	2	STICKER (PROJECTION RISK)
14	NC13-33-0326	1	STICKER DANGER (HAND)
15	NC13-33-0327	1	STICKER END ROTATION ADJUSTMENT
16	NC13-33-0005	1	STICKER MAXIMUM 540 RPM
17	NC13-33-0187	2	STICKER DANGER (PTO AND PERSON)