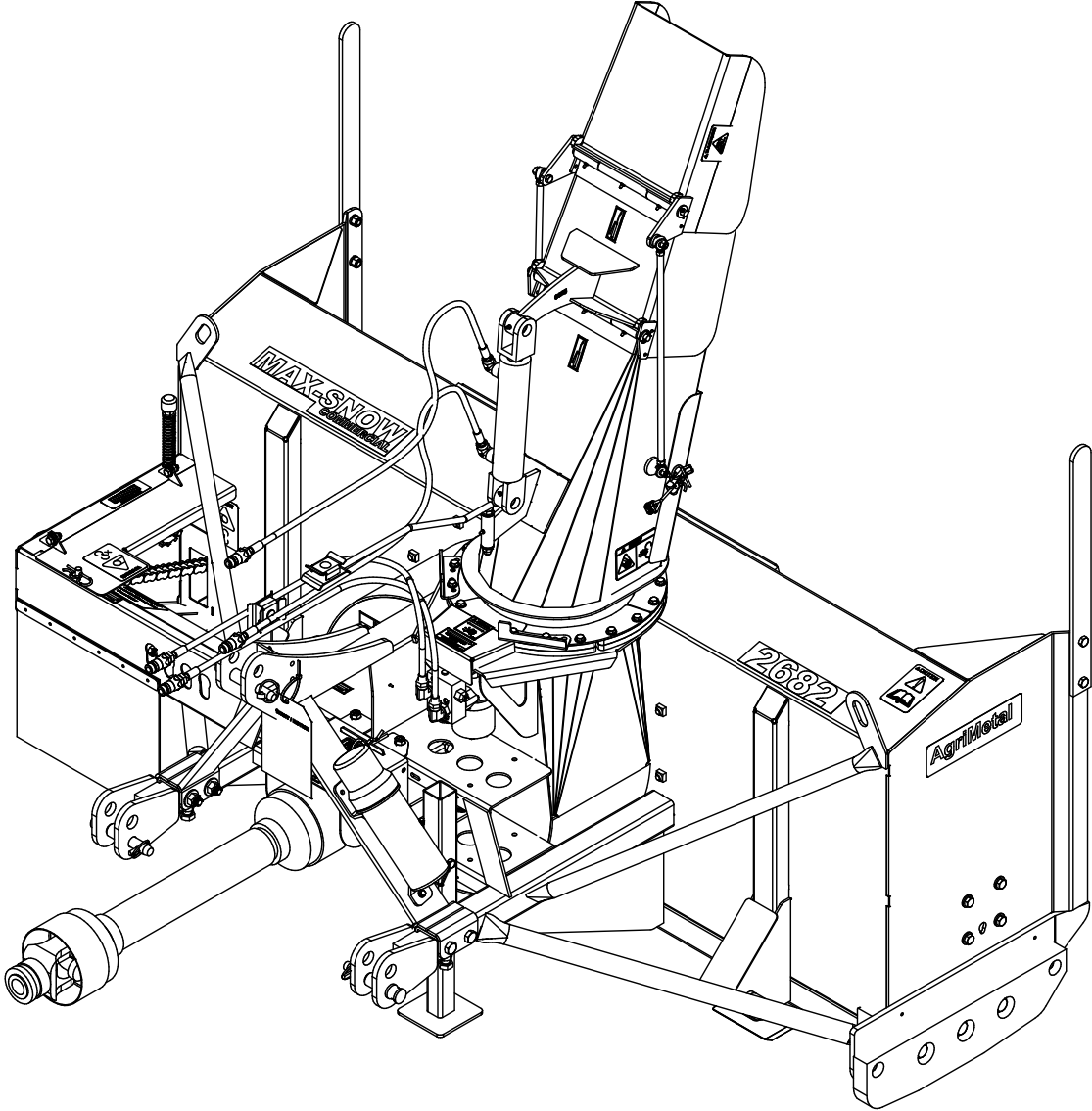


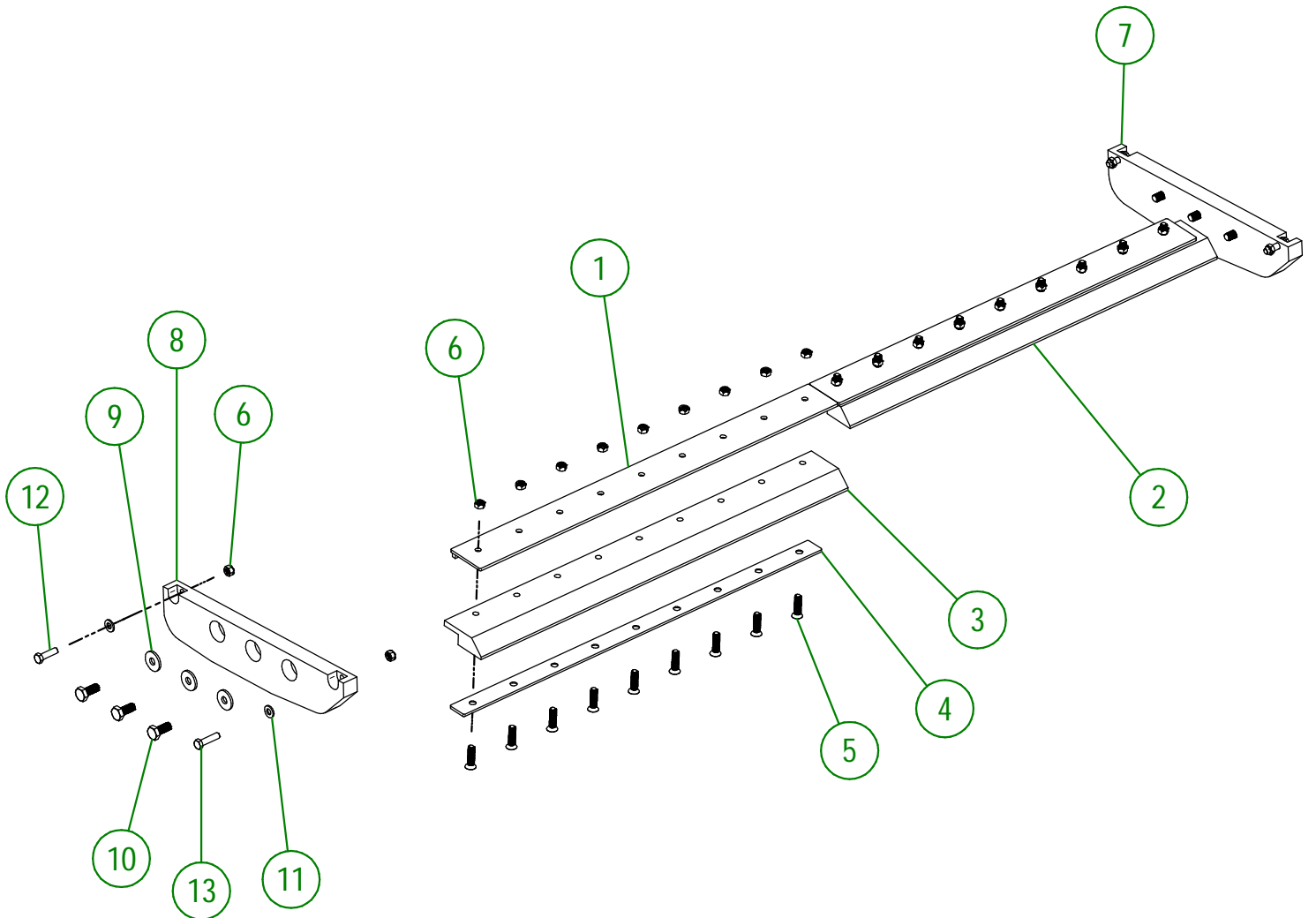
AgriMetal

PARTS LIST



MS 2682

#	PART #	Qty	TITLE
1	80-50-0700	2	KNIFE BRACE (TOP)
2	80-42-0135	1	RIGHT KNIFE (UHMW)
3	80-42-0136	1	LEFT KNIFE (UHMW)
4	80-04-0335	2	KNIFE BRACE (UNDER)
5	NC02-48-0548	18	FLAT HEAD SOCKET CAP SCREW STAINLESS 1/2-13 X 2"
6	NC01-93-0014	22	LOCK NUT ZINC 1/2-13
7	80-42-0157	1	LATERAL KNIFE (RIGHT)
8	80-42-0155	1	LATERAL KNIFE (LEFT)
9	80-04-0185	6	WASHER
10	NC01-17-0394	6	HEX. BOLT GR2 ZINC 5/8-11 X 1 1/2"
11	NC02-25-0011	4	WASHER SAE ZINC 17/32 ID
12	NC01-17-0250	2	HEX. BOLT GR2 ZINC 1/2-13 X 1 3/4"
13	NC01-17-0251	2	HEX. BOLT GR2 ZINC 1/2-13 X 2"



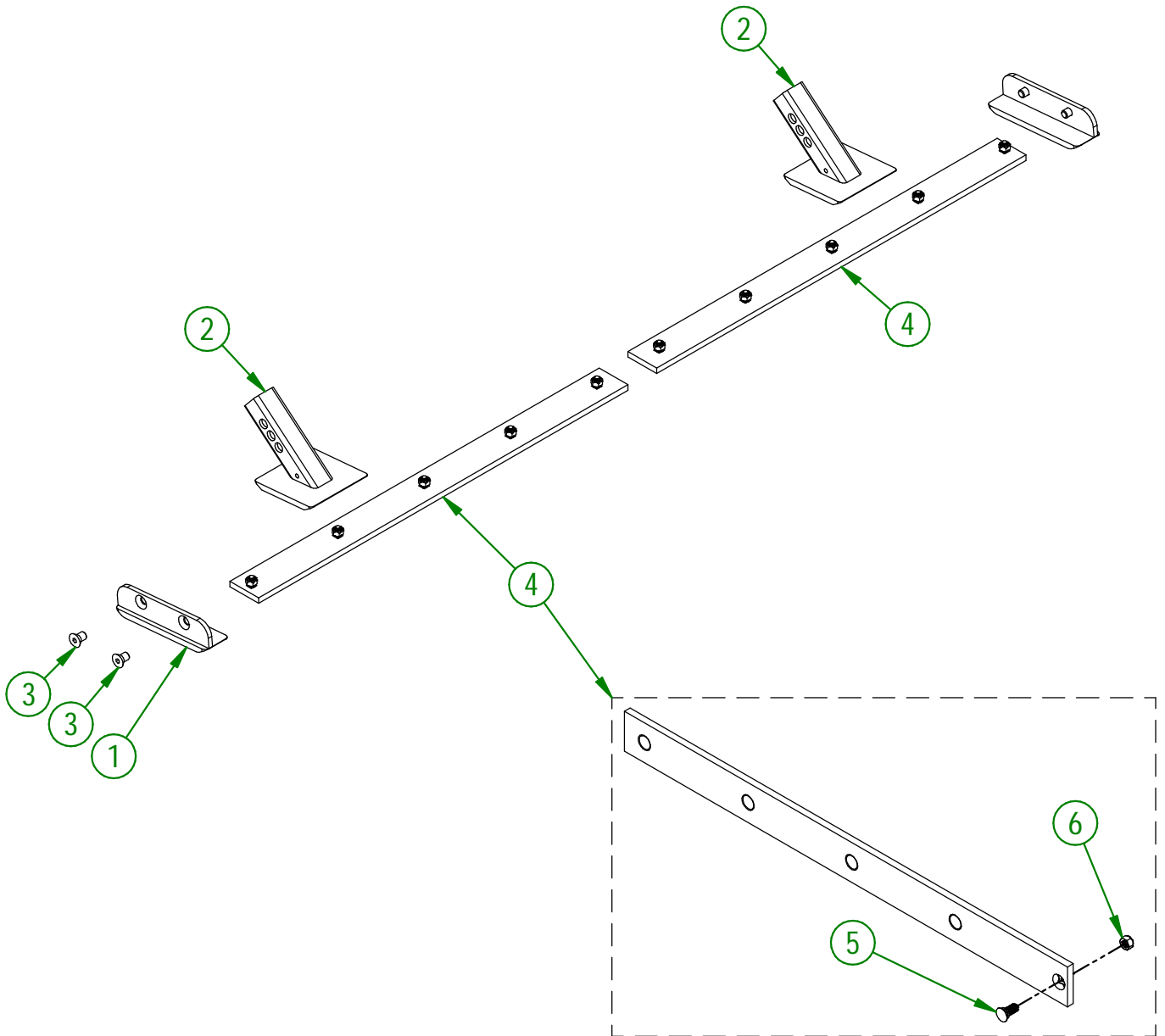
AGRIMETAL	
SET OF KNIVES (UHMW)	
CREATION : 26/01/22	ASSEMBLY : 80-57-0705
REVISION : 27/09/23	AUTHOR : J. HOULE

80-57-0700

#	PART #	Qty	TITLE
1	80-50-0085	2	LATERAL SKATE (#450 HARDNESS STEEL)
2	80-50-0055	2	ADJUSTABLE SKATE (STEEL)
3	NC02-48-0586	4	FLAT HEAD SOCKET CAP SCREW 5/8-11 X 1" LG
4	80-57-0065	2	KNIFE (#450 HARDNESS STEEL) GROUP (BOLTS AND NUTS INCLUDED)

80-57-0065

#	PART #	Qty	TITLE
5	NC01-09-0029	5	PLOW BOLT GR5 1/2-13 X 1 1/4" LG
6	NC01-93-0014	5	LOCK NUT ZINC 1/2-13



AGRIMETAL

SET OF KNIVES (#450 HARDNESS STEEL)

CREATION : 26/01/22
 REVISION : 26/09/23

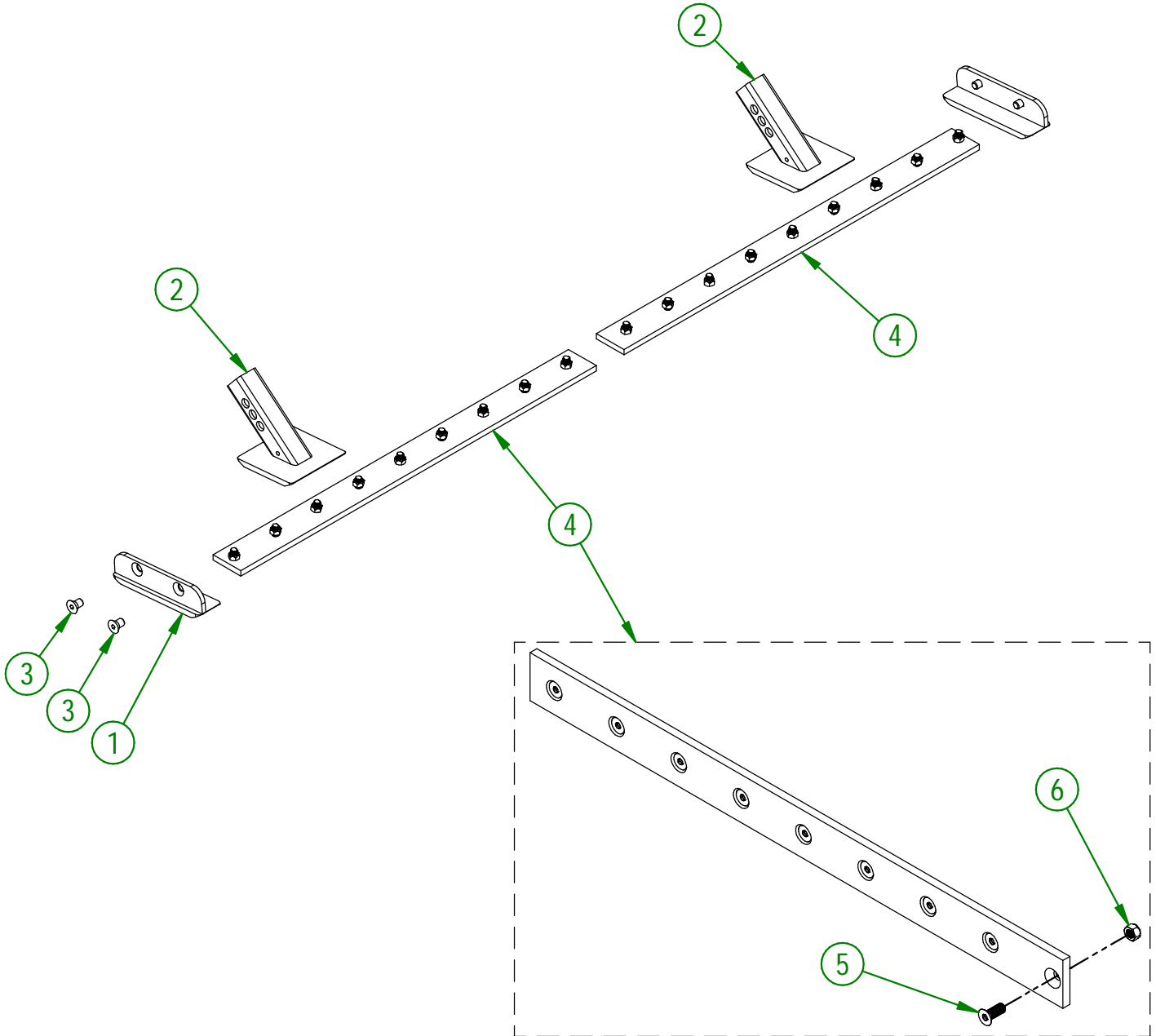
ASSEMBLY : **80-57-0700**
 AUTHOR : Dessin2

80-57-0710

#	PART #	Qty	TITLE
1	80-50-0087	2	LATERAL SKATE (STAINLESS STEEL)
2	80-50-0058	2	ADJUSTABLE SKATE (STAINLESS STEEL)
3	NC02-48-0586	4	FLAT HEAD SOCKET CAP SCREW 5/8-11 X 1" LG
4	80-57-0070	2	KNIFE (STAINLESS STEEL) GROUP (BOLTS AND NUTS INCLUDED)

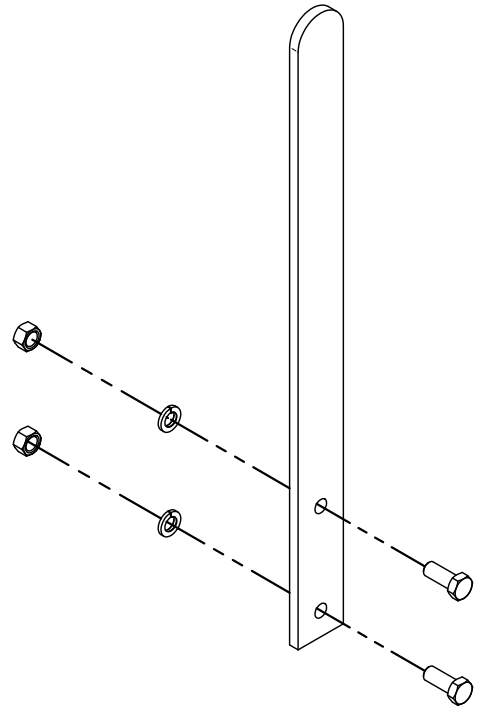
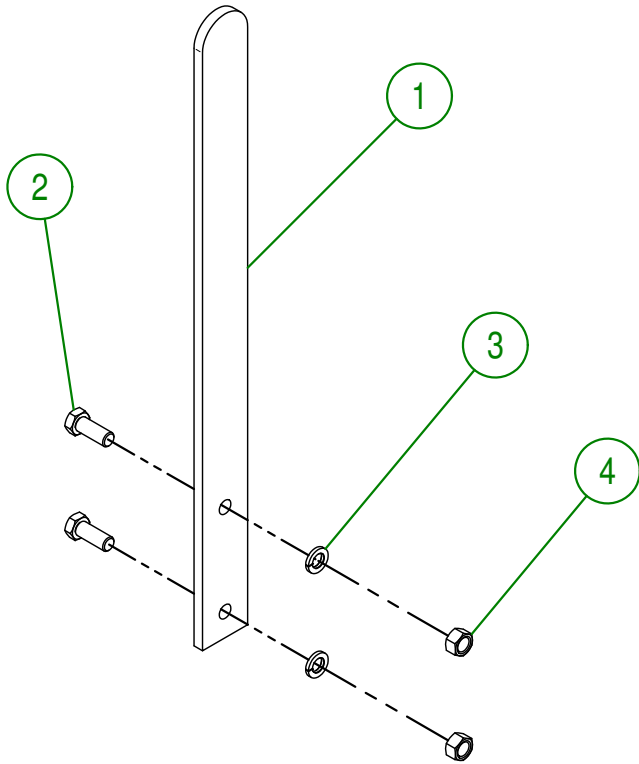
80-57-0070

#	PART #	Qty	TITLE
5	NC02-48-0545	9	FLAT HEAD SOCKET CAP SCREW 1/2"-13 X 1 1/4" (STAINLESS STEEL)
6	NC01-93-0014	9	LOCK NUT ZINC 1/2-13

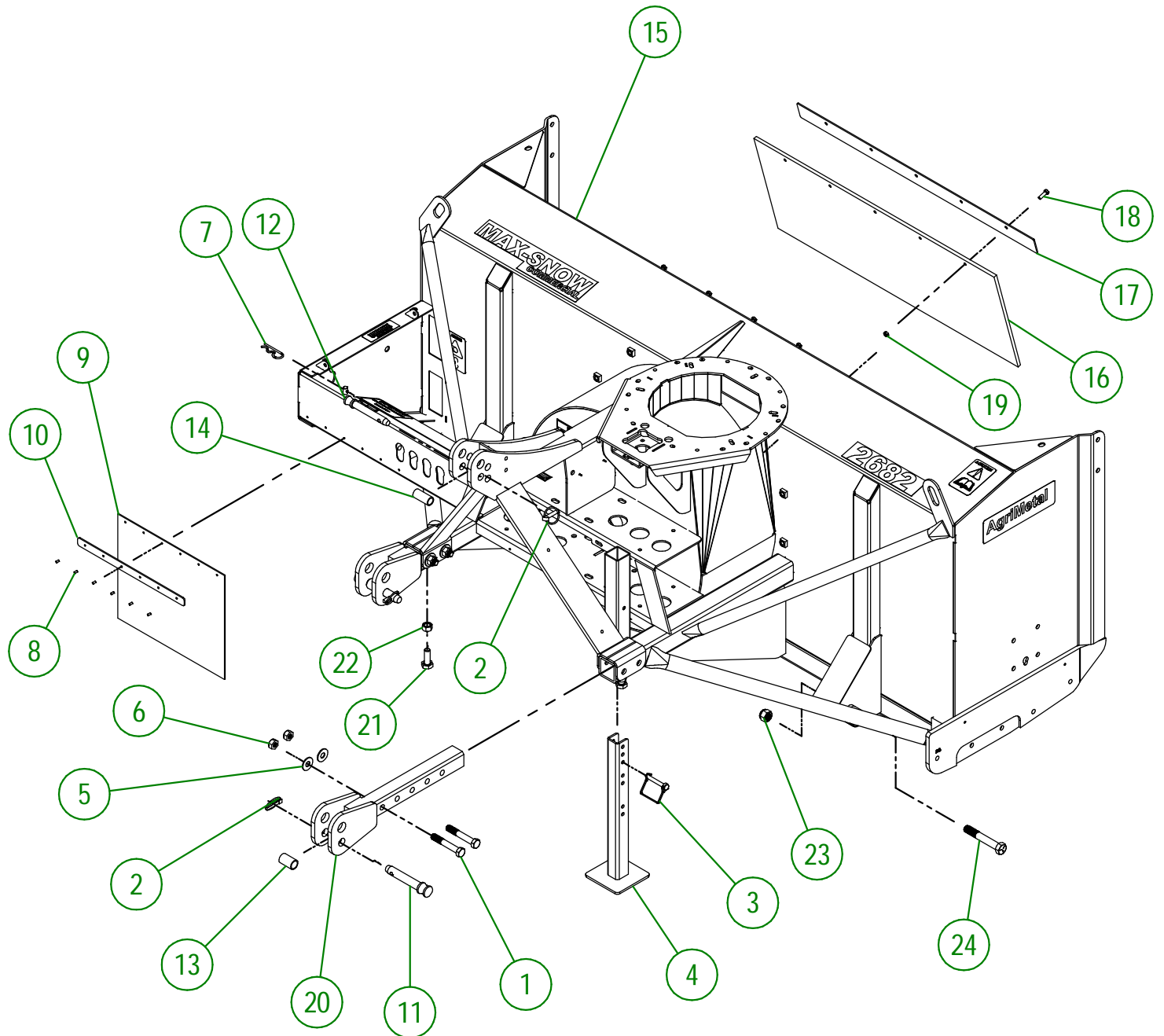


AGRIMETAL	
SET OF KNIVES (STAINLESS STEEL)	
CREATION : 26/01/22	ASSEMBLY : 80-57-0710
REVISION : 26/09/23	AUTHOR : Dessin2

#	PART #	Qty	TITLE
1	48-05-2105	2	LATERAL CUTTER BLADES
2	NC01-25-0248	4	HEX. BOLT GR5 ZINC 1/2-13 X 1 1/4"
3	NC02-32-0014	4	LOCK WASHER ZINC 1/2"
4	NC02-07-0020	4	HEX. NUT ZINC 1/2-13



AGRIMETAL	
LATERAL CUTTER BLADES	
CREATION : 24/11/17	ASSEMBLY : 48-57-1235
REVISION : 22/10/18	AUTHOR : J. Houle
	Page 4 de 20



AGRIMETAL	
FRAME GROUP	
CREATION : 26/01/22	ASSEMBLY : 80-57-0940
REVISION : 21/09/22	AUTHOR : Dessin2

80-57-0940

#	PART #	Qty	TITLE
1	NC01-33-0404	4	HEX. BOLT GR8 ZINC 5/8-11 X 4" LG
2	NC01-69-1100	3	LINCH PIN 3/8"
3	NC01-69-1306	1	LOCKING PIN 3/8" X 2 1/2" LG
4	80-50-0093	1	STAND
5	NC02-22-0013	4	WASHER ZINC 5/8 ID X 1 1/2 OD
6	NC01-93-0016	4	LOCK NUT ZINC 5/8-11
7	NC01-63-0026	1	COTTER PIN ZC 5/32" X 3"
8	NC01-78-0016	6	ALUMINIUM BLIND POP RIVET STEEL MANDREL 0.187 X 0.690
9	NC13-15-0300	1	SNOW GUARD
10	80-01-1075	1	SNOW GUARD BRACE
11	48-20-0070	2	3 POINT PIN
12	48-20-0075	1	3 POINT PIN
13	80-13-0105	2	BUSHING
14	21-09-1205	1	BUSHING
15	80-57-0500	1	FRAME
16	NC13-15-0349	1	RUBBER
17	80-57-0060	1	RUBBER REINFORCEMENT
18	NC01-17-0060	5	HEX. BOLT GR2 ZINC 5/16-18 X 1"
19	NC01-93-0010	5	LOCK NUT ZINC 5/16-18
20	80-50-5020	2	3 POINTS HITCH
21	NC01-17-0395	2	HEX. BOLT GR2 ZINC 5/8-11 X 1 3/4"
22	NC02-07-0022	2	HEX. NUT ZINC 5/8-11
23	NC01-96-0017	2	HEX. LOCK NUT NYLO. NC 3/4-10
24	NC01-25-0481	2	HEX. BOLT GR5 NC 3/4-10 X 5"

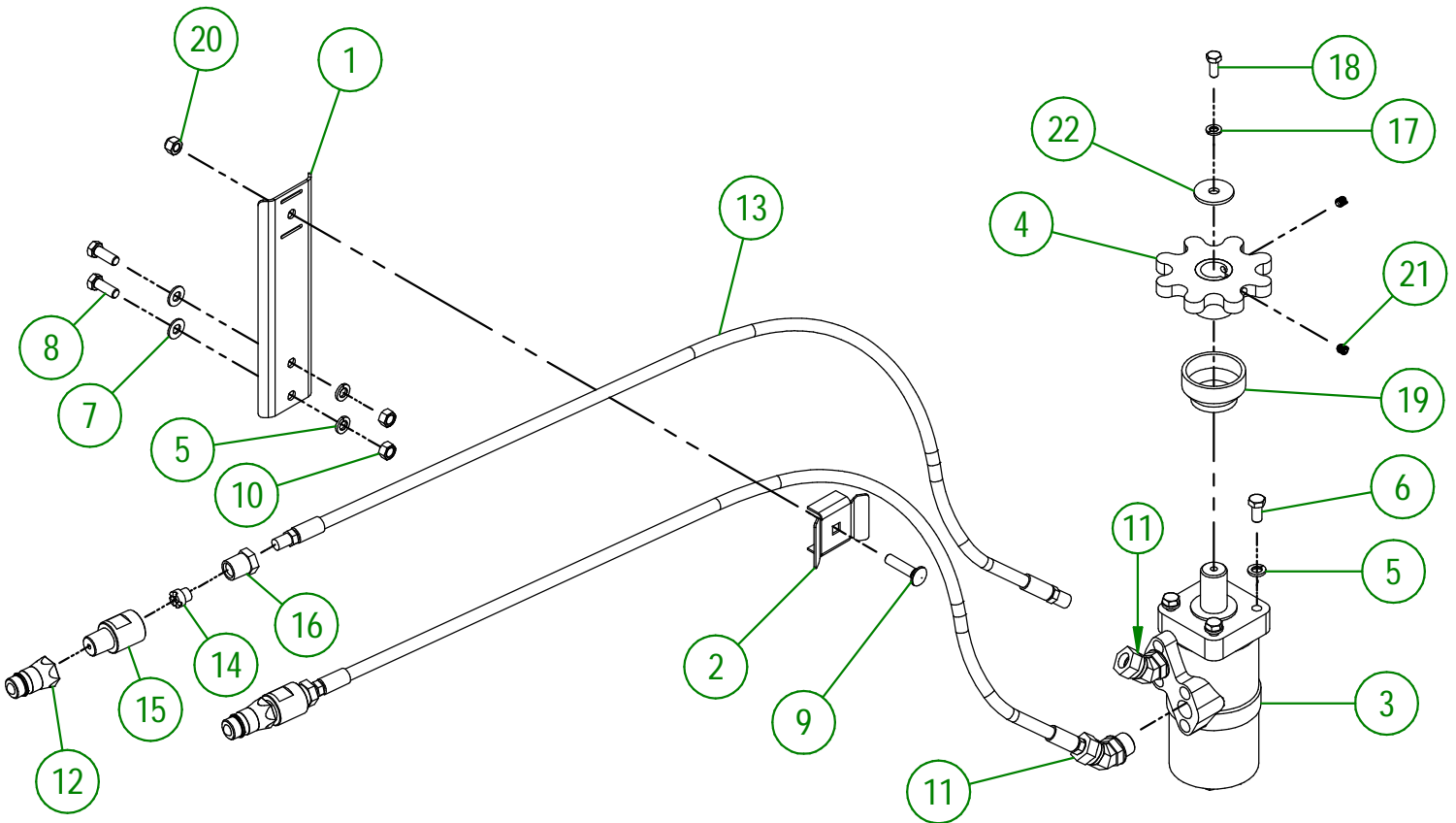
80-57-0330

#	PART #	Qty	TITLE
1	80-01-1015	1	BRACE
2	80-01-1010	2	BRACE
3	01-01-2485	18	FLAT WASHER 14 GA X 13/16"OD X 25/64" ID
4	NC01-17-0118	18	HEX. BOLT GR2 ZINC 3/8-16 X 2"
5	NC01-93-0011	22	LOCK NUT 3/8-16
6	NC13-45-0209	1	HYDRAULIC CYLINDER 6"
7	NC01-67-0304	4	ROD END 3/8-24
8	48-13-0600	2	CHUTE ROD (DOUBLE)
9	NC02-10-0018	4	NUT 3/8-24
10	80-20-0260	2	PIVOT
11	NC02-25-0011	4	WASHER SAE ZINC 17/32 ID
12	NC01-69-0785	9	STRAIGHT GREASE FITTING 1/4-28
13	NC01-07-0113	2	CARR. BOLT GR5 ZINC 3/8-16 X 2" LG
14	NC01-25-0116	2	HEX. BOLT GR5 ZINC 3/8-16 X 1 1/2"
15	NC13-45-0038	2	ELBOW 90 3/8 FEM. NPT X 3/8 MALE NPT
16	NC13-45-0369	2	QUICK COUPLER 1/2-14 NPTF
17	NC13-45-0153	2	HEX. REDUCER 1/4 NPT X 1/2 NPT
18	NC17-02-0329	2	HYDRAULIC HOSE (87" LG)
19	48-50-1030	1	HYDRAULIC HOSE SUPPORT
20	NC01-96-0014	1	NYLON-INSERT LOCKNUT ZINC 1/2-13
21	48-01-7530	1	HYDRAULIC HOSE SUPPORT
22	NC01-04-0110	1	CARR. BOLT GR2 ZINC 3/8-16 X 1 1/4"
23	NC01-96-0011	1	NYLON NUT 3/8-16
24	NC01-63-0052	2	ADJUSTABLE LATCH (STRIKE)
25	NC01-96-0006	4	NYLON NUT ZINC 3/16
26	NC02-40-0080	4	MACHINE SCREWS SQUARE SOCKET #10-24 X 1/2" LG
27	80-57-0303	1	CHUTE (BOTTOM SECTION)
28	80-57-0312	1	CHUTE (MIDDLE SECTION)
29	80-57-0322	1	CHUTE (TOP SECTION)
30	NC01-69-0139	4	COTTER PIN ZINC 1/8" X 3/4"
31	80-57-0353	1	CHUTE DOOR
32	NC01-63-0026	2	COTTER PIN ZC 5/32" X 3"
33	01-01-0925	2	WASHER
34	NC13-15-0334	2	PIVOT WASHER
35	84-04-0175	1	ADJUSTABLE STOPPER
36	84-04-0177	1	ADJUSTABLE STOPPER
37	84-04-0170	1	STOPPER
38	NC01-37-0118	2	HEX. BOLT GR8 ZINC 3/8-24 X 2"
39	NC01-94-0011	2	LOCK NUT 3/8-24
40	84-57-1330	1	GUIDE CHUTE GROUP
41	80-57-0550	1	SPROCKET GUARD GROUP "STICKER INCLUDED"
42	81-21-0040	2	ADJUSTABLE STOPPER SPACER

84-57-1330

#	PART #	Qty	TITLE
43	NC17-46-0028	4	CHUTE GUIDE (TOP)
44	80-42-0320	1	CHUTE GUIDE (TOP)
45	80-42-0315	1	CHUTE GUIDE (TOP)
46	NC17-46-0027	4	CHUTE GUIDE (UNDER)
47	80-42-0305	1	CHUTE GUIDE (UNDER)
48	80-42-0310	1	CHUTE GUIDE (UNDER)

#	PART #	Qty	TITLE
1	81-01-7600	1	HYDRAULIC HOSE SUPPORT
2	80-01-0020	1	HYDRAULIC HOSE SUPPORT
3	NC14-45-0156	1	HYDRAULIC MOTOR
4	48-50-1025	1	HYDRAULIC ENGINE SPROCKET
5	NC02-32-0012	6	LOCK WASHER ZINC 3/8"
6	NC01-17-0112	4	HEX. BOLT GR2 ZINC 3/8-16 X 3/4"
7	01-01-2485	2	FLAT WASHER 14 GA X 13/16"OD X 25/64" ID
8	NC01-17-0114	2	HEX. BOLT GR2 ZINC 3/8-16 X 1"
9	NC01-04-0111	1	CARR. BOLT GR2 ZINC 3/8-16 X 1 1/2"
10	NC02-07-0018	2	HEX. NUT ZINC 3/8-16
11	NC13-45-0367	2	45°-7/8-14 MALE O RING X 1/2 FEM.TOUR.NPT PT
12	NC13-45-0369	2	QUICK COUPLER 1/2-14 NPTF
13	NC17-02-0328	2	HYDRAULIC HOSE (63" LG)
14	80-13-0100	2	HYDRAULIC RESTRICTOR
15	NC13-45-0378	2	HYDRAULIC RESTRICTOR BUSHING
16	80-45-0000	2	HEX. REDUCER 1/4 NPT X 1/2 NPT
17	NC02-32-0011	1	LOCK WASHER ZINC 5/16"
18	NC01-45-0184	1	HEX. BOLT GR8.8 ZINC 8MM X 20MM
19	NC17-46-0031	1	HYDRAULIC MOTOR BUSHING
20	NC01-96-0011	1	NYLON NUT 3/8-16
21	NC02-44-0103	2	SET SCREW 5/16-18 X 3/8"
22	01-33-0010	1	WASHER

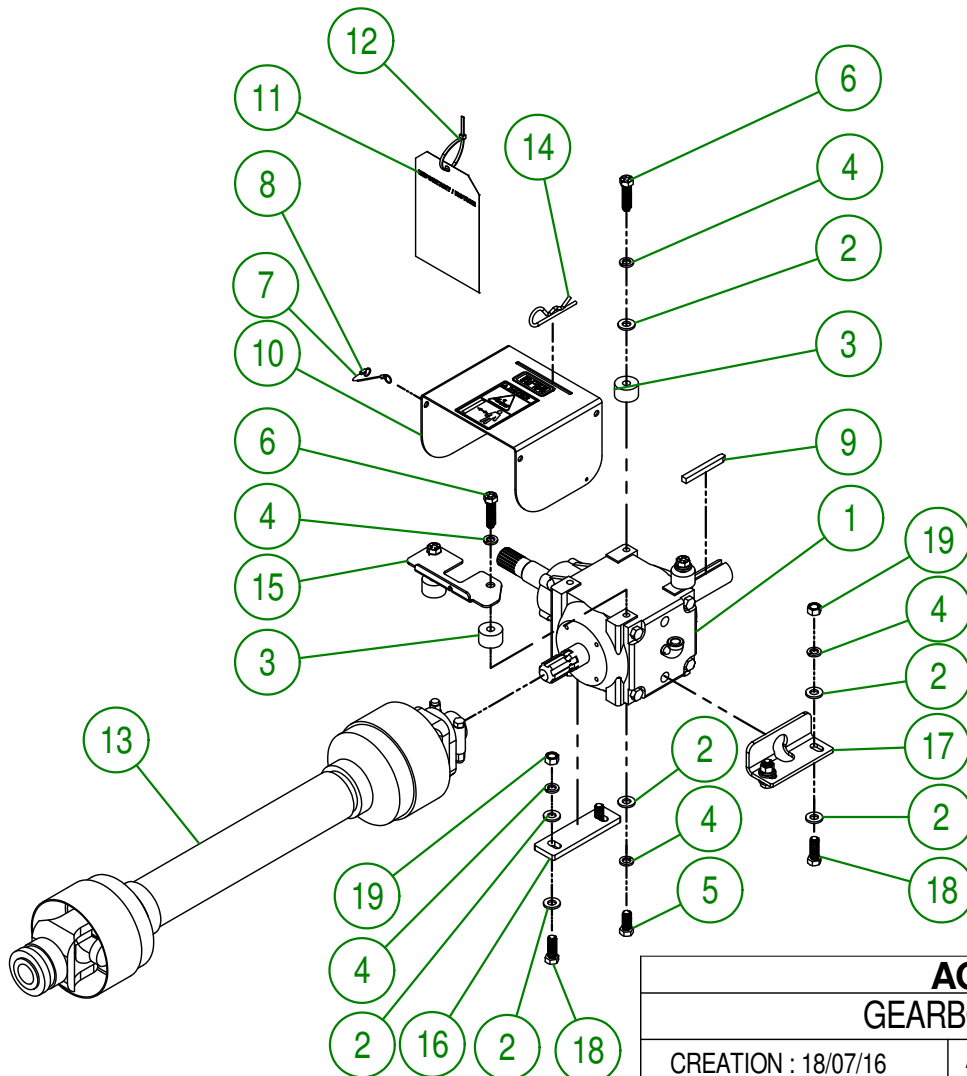


AGRIMETAL
HYDRAULIC MOTOR GROUP

CREATION : 2022-01-26
REVISION : 2022-03-28

ASSEMBLY : **80-57-0410**
AUTHOR : J. HOULE

#	PART #	Qty	TITLE
1	80-55-0010	1	GEARBOX
2	NC02-25-0011	14	WASHER SAE ZINC 17/32 ID
3	80-21-0010	4	TRANSMISSION BUSHING
4	NC02-32-0014	12	LOCK WASHER ZINC 1/2"
5	NC01-33-0248	4	HEX. BOLT .GR8 NC ZINC 1/2-13 X 1 1/4"
6	NC01-33-0251	4	HEX. BOLT GR8 NC ZINC 1/2-13 X 2"
7	80-41-0135	1	PTO GUARD STEEL CABLE
8	NC01-64-0005	2	OVAL SLEEVE (ALUMINUM)
9	80-41-0900	1	IMPELLER KEY
10	80-57-0040	1	PTO GUARD
11	NC13-50-0110	1	IMPORTANT/NOTICE PTO POSTER
12	NC13-25-0019	1	BLACK TIE RAP
13	80-34-0030	1	PTO SHAFT T60
14	NC01-63-0027	1	HAIRPIN COTTER
15	80-01-7526	1	PTO GUARD SUPPORT
16	80-04-0480	1	GEARBOX BRACE
17	80-04-0485	1	GEARBOX BRACE
18	NC01-33-0249	4	CAP SCREW GR8 NC ZINC 1/2-13 X 1 1/2" LG
19	NC02-07-0020	4	HEX. NUT ZINC 1/2-13



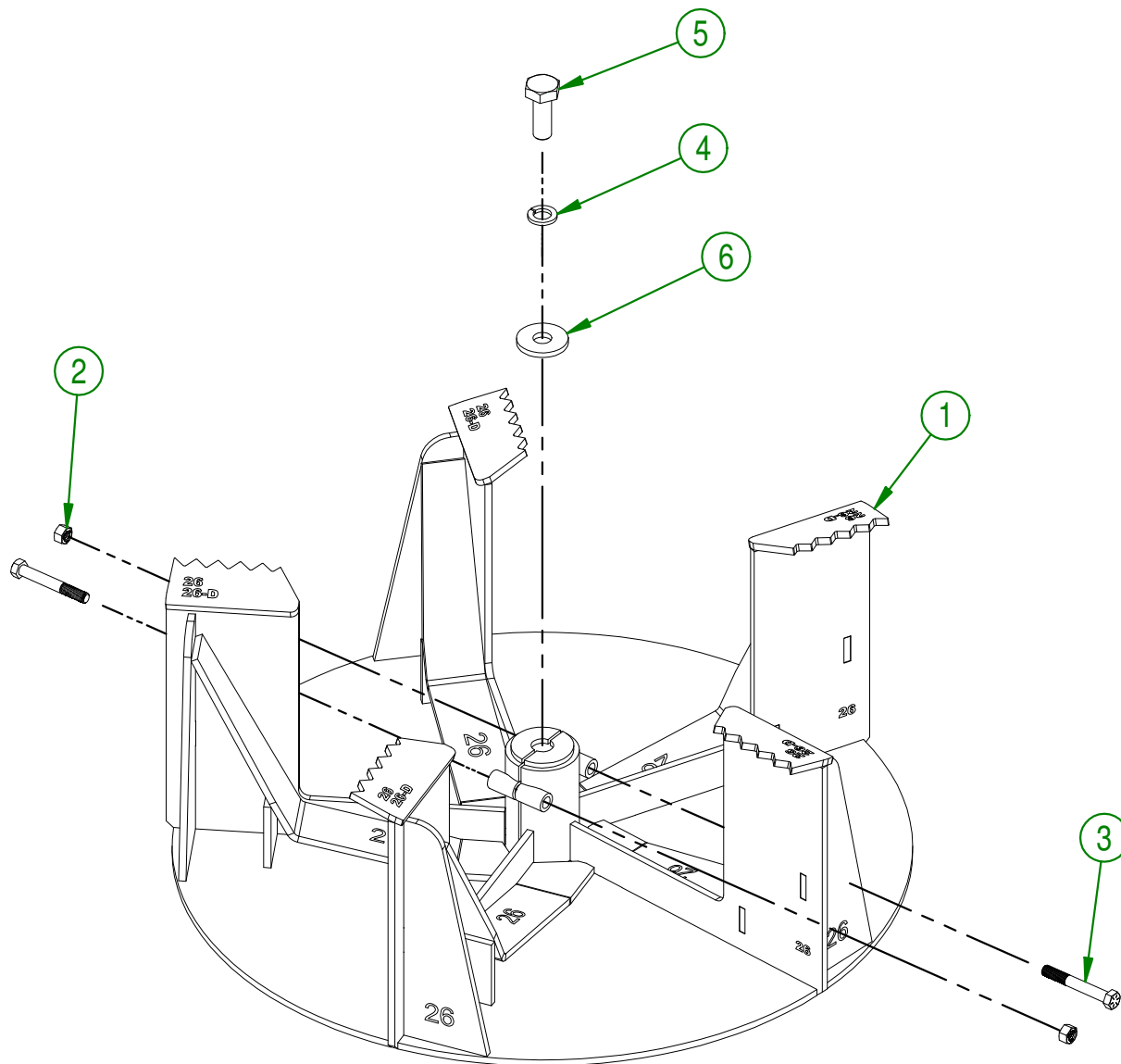
AGRIMETAL
GEARBOX GROUPING

CREATION : 18/07/16
REVISION : 11/04/19

ASSEMBLY : **80-57-0430**

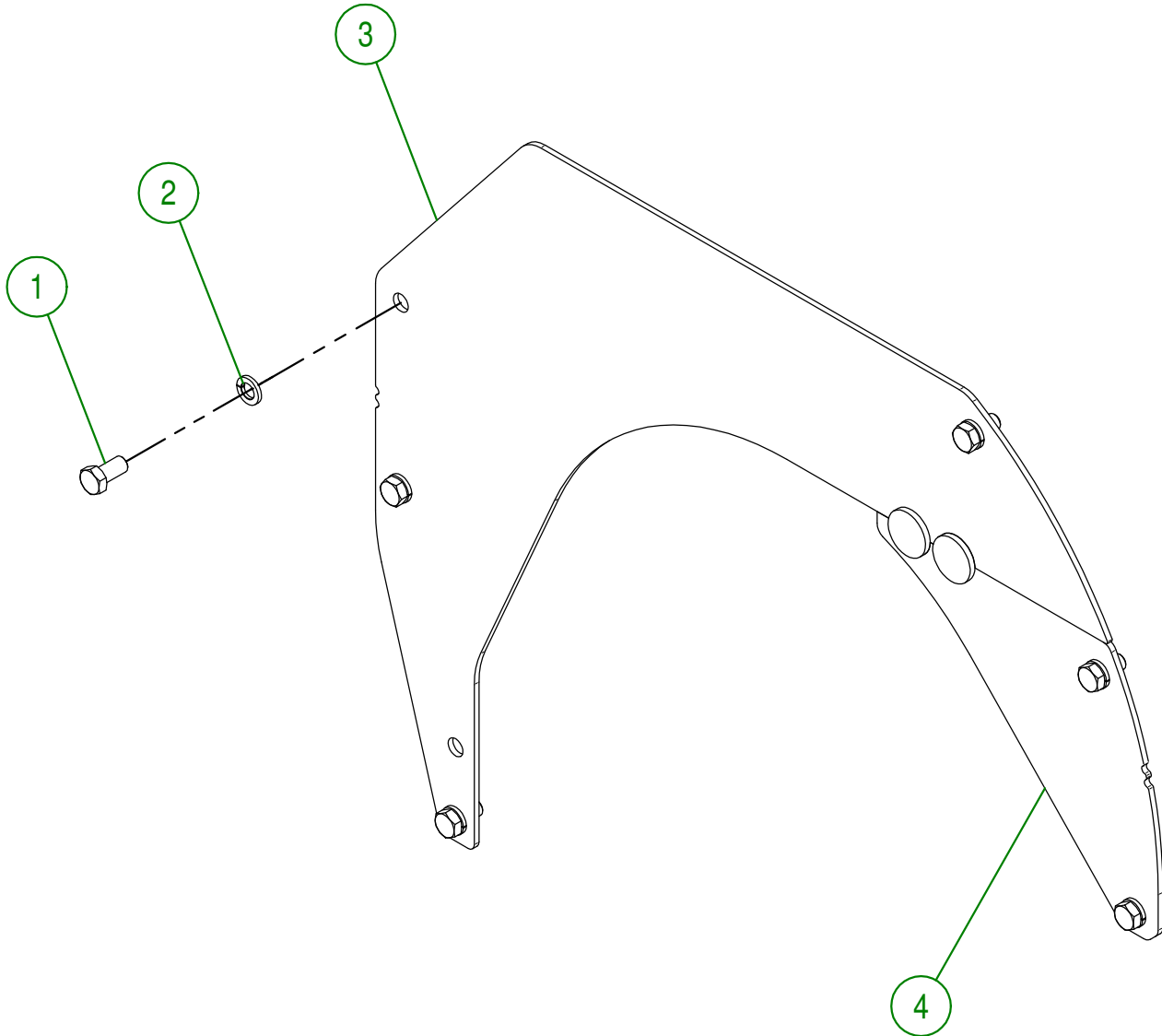
AUTHOR : Dessin2 | Page 10 de 20

#	PART #	Qty	TITLE
1	80-50-0050	1	IMPELLER
2	NC01-94-0011	2	LOCK NUT 3/8-24
3	NC01-37-0121	2	HEX. BOLT GR8 ZINC 3/8-24 X 2 3/4" LG
4	NC02-32-0016	1	LOCK WASHER ZINC 5/8"
5	NC01-25-0395	1	HEX. BOLT GR5 ZINC 5/8-11 X 1 3/4" LG
6	80-04-0185	1	WASHER



AGRIMETAL	
IMPELLER GROUP	
CREATION : 13/04/18	ASSEMBLY : 80-57-0426
REVISION : 25/06/20	AUTHOR : F.HÉLIE Page 11 de 20

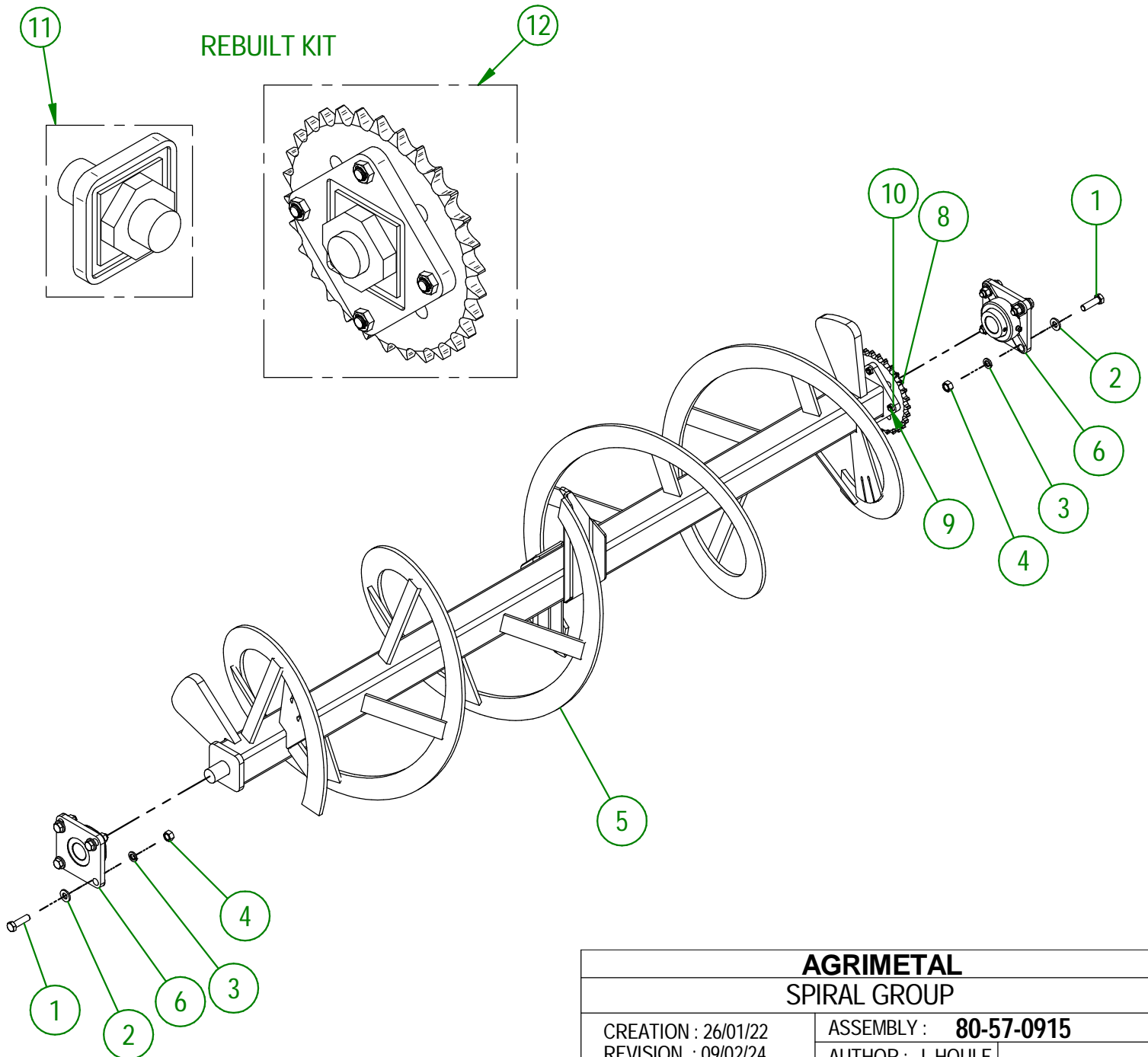
#	PART #	Qty	TITLE
1	NC01-25-0247	6	HEX. BOLT GR5 ZINC 1/2-13 X 1" LG
2	NC02-32-0014	6	LOCK WASHER ZINC 1/2"
3	80-50-0111	1	LEFT SNOW GUARD
4	80-50-0113	1	RIGHT SNOW GUARD



AGRIMETAL	
SNOW GUARD GROUP	
CREATION : 18/07/16	ASSEMBLY : 80-57-0420
REVISION : 22/10/18	AUTHOR : J. HOULE Page 12 de 20

80-57-0915

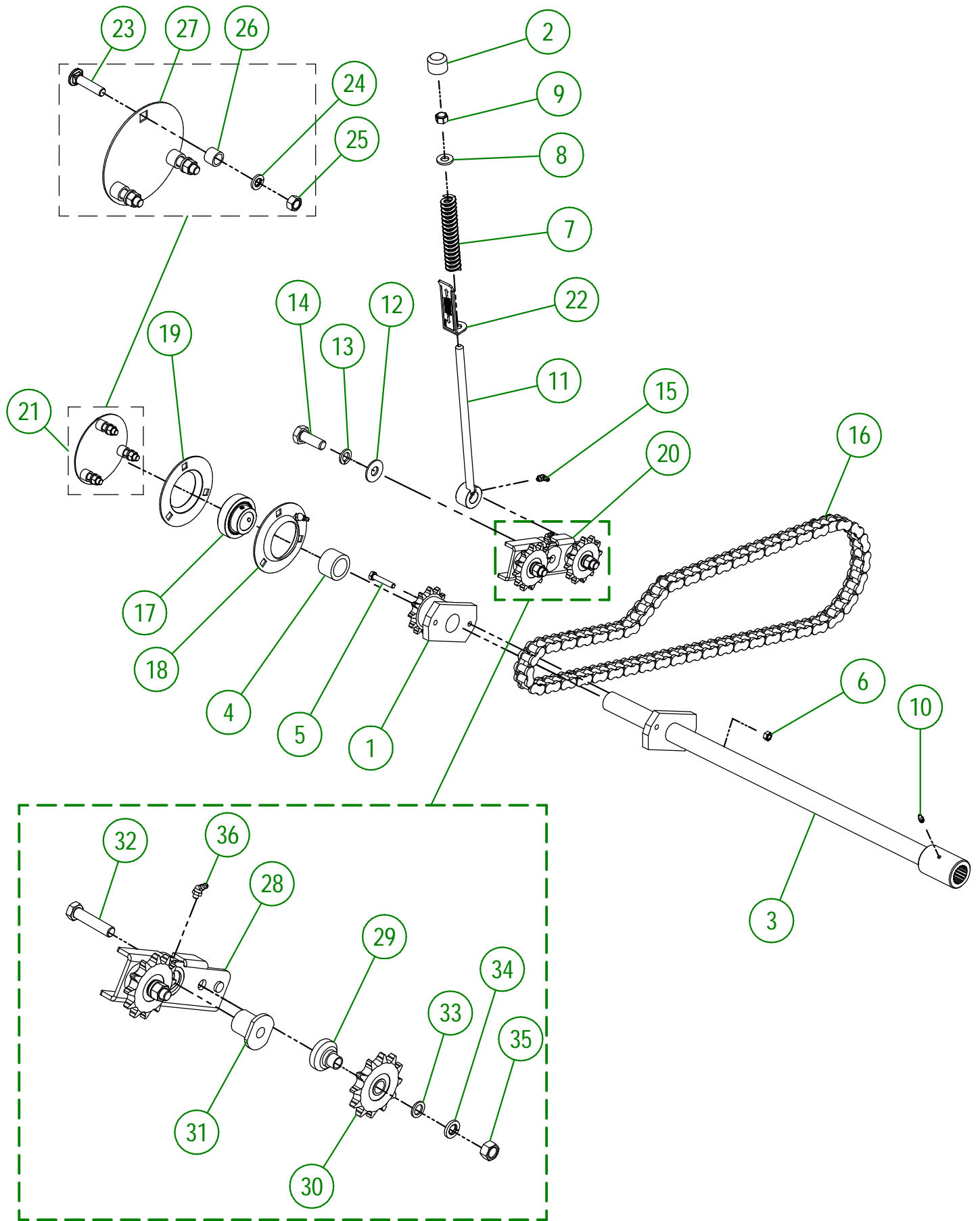
#	PART #	Qty	TITLE
1	NC01-17-0250	8	HEX. BOLT GR2 ZINC 1/2-13 X 1 3/4"
2	NC02-25-0011	8	WASHER SAE ZINC 17/32 ID
3	NC02-32-0014	8	LOCK WASHER ZINC 1/2"
4	NC02-07-0020	8	HEX. NUT ZINC 1/2-13
5	80-50-0580	1	SPIRAL
6	NC14-75-0160	2	FLANGE BEARING UCF207-20 1 1/4" ID
8	NC14-55-0294	1	60A32H SPROCKET
9	NC01-29-0115	4	HEX. BOLT GR5 ZINC 3/8-24 X 1 1/4" LG
10	NC01-94-0011	4	LOCK NUT 3/8-24
11	80-51-0140	1	(LEFT) PRE-ASSEMBLE SPIRAL SHAFT
12	80-51-0091	1	(RIGHT) PRE-ASSEMBLE SPIRAL SHAFT



AGRIMETAL
SPIRAL GROUP

CREATION : 26/01/22
REVISION : 09/02/24

ASSEMBLY : **80-57-0915**
AUTHOR : J. HOULE



AGRIMETAL		
DRIVE TRAIN SPIRAL GROUP		
CREATION : 26/01/22	ASSEMBLY :	80-57-0935
REVISION : 11/04/23	AUTHOR :	Dessin2

80-57-0935

#	PART #	Qty	TITLE
1	NC14-55-0293	1	60BI2H SPROCKET
2	80-42-0110	1	THREADED ROD CAP
3	80-50-0565	1	DRIVE TRAIN SPIRAL
4	80-21-0025	1	SPIRAL DRIVE TRAIN BUSHING
5	NC01-17-0063	1	CAP SCREW GR2 NC ZINC 5/16-18 X 1 3/4"
6	NC01-93-0010	1	LOCK NUT ZINC 5/16-18
7	NC13-86-0053	1	BLUE SPRING 1/2" ID X 1" OD X 6" LG
8	NC02-25-0011	1	WASHER SAE ZINC 17/32 ID
9	NC01-96-0014	1	NYLON-INSERT LOCKNUT ZINC 1/2-13
10	NC01-69-0785	1	STRAIGHT GREASE FITTING 1/4-28
11	80-50-0040	1	THREADED ROD
12	NC02-22-0013	1	WASHER ZINC 5/8 ID X 1 1/2 OD
13	NC02-32-0016	1	LOCK WASHER ZINC 5/8"
14	NC01-17-0395	1	HEX. BOLT GR2 ZINC 5/8-11 X 1 3/4"
15	NC01-69-0787	1	GREASE FITTING STRAIGHT 1/4-28 X 90
16	80-37-1005	1	#60 HD CHAIN
17	NC14-75-0164	1	SB207-20 BEARING
18	80-55-0030	1	PRESSED STEEL FLANGE WITH GREASE FITTING
19	NC14-75-0093	1	PRESSED STEEL FLANGE
20	80-55-0025	1	CHAIN TENSIONER GROUP
21	82-57-2950	1	BEARING GUARD GROUP.
22	80-57-0160	1	ADJUSTEMENT INDICATOR

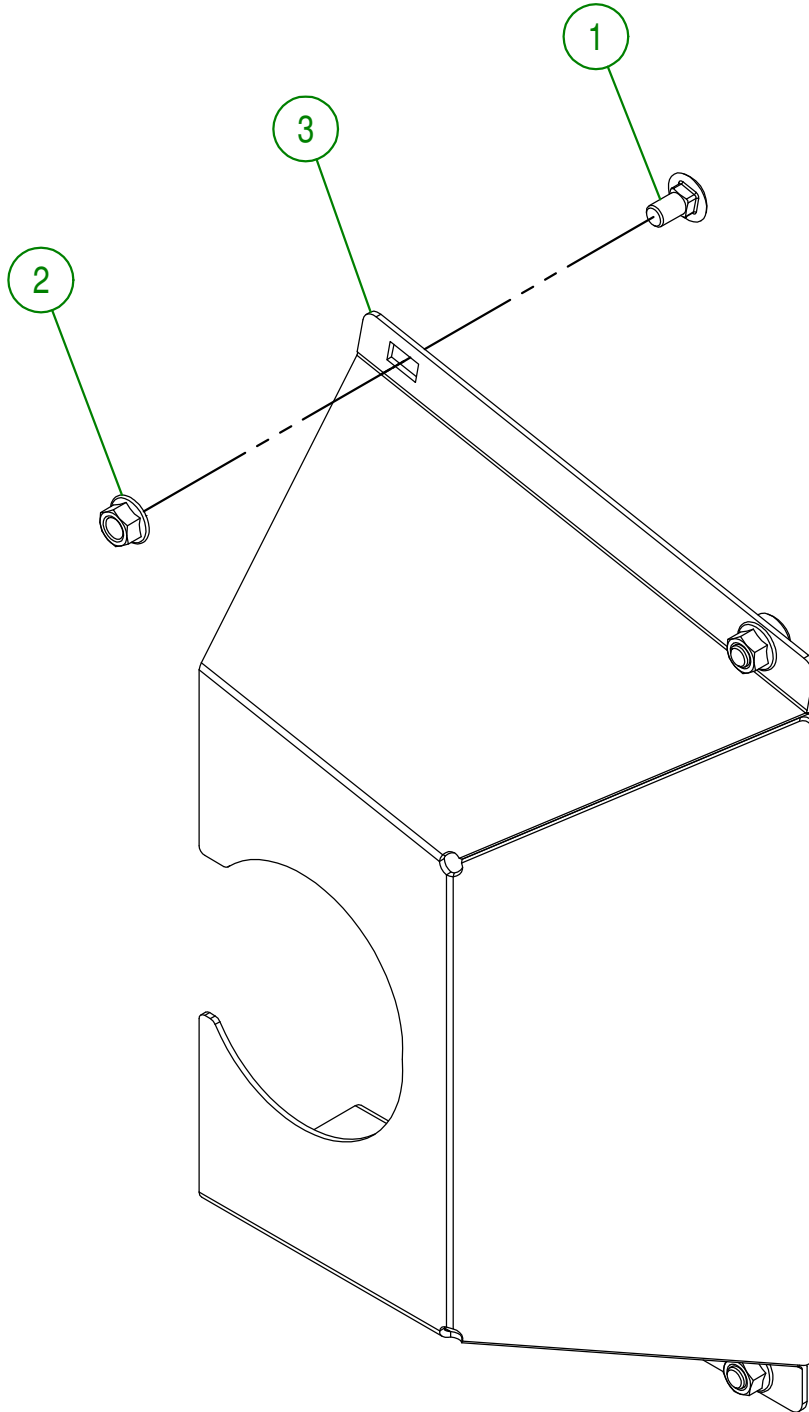
82-57-2950

#	PART #	Qty	TITLE
23	NC01-04-0111	3	CARR. BOLT GR2 ZINC 3/8-16 X 1 1/2"
24	NC02-32-0012	3	LOCK WASHER ZINC 3/8"
25	NC02-07-0018	3	HEX. NUT ZINC 3/8-16
26	82-21-0000	3	BEARING BUSHING GUARD
27	82-01-7540	1	BEARING GUARD

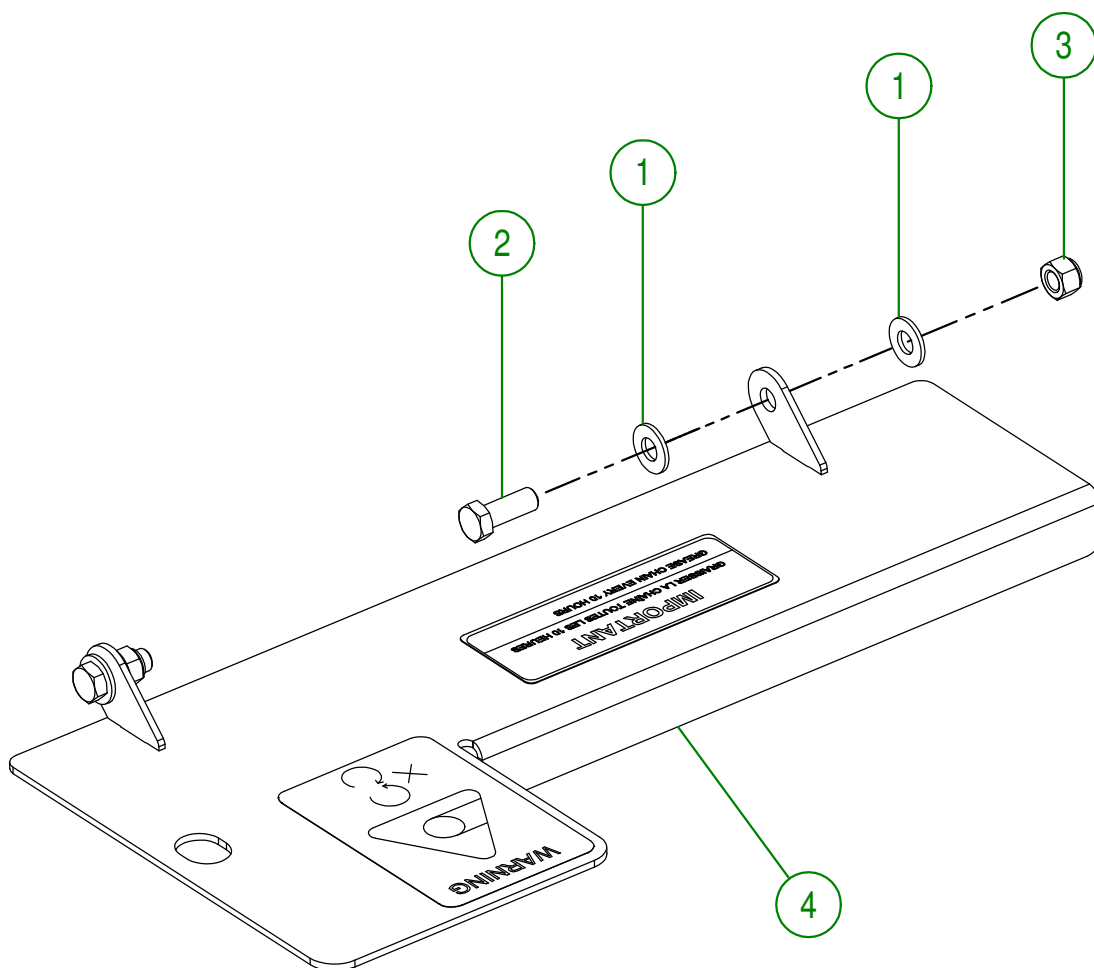
80-55-0025

#	PART #	Qty	TITLE
28	80-50-0045	1	CHAIN TENSIONER
29	80-21-0020	2	CHAIN TENSIONER BUSHING (SPROCKET)
30	NC14-55-0295	2	SPROCKET 60A12H
31	80-13-2400	1	CHAIN TENSIONER BUSHING
32	NC01-29-0252	2	HEX. BOLT GR2 ZINC 1/2-20 X 2 1/4" LG
33	NC02-26-1100	2	WASHER SAE ZINC 17/32 ID X 13/16" OD
34	NC02-32-0014	2	LOCK WASHER ZINC 1/2"
35	NC02-10-0020	2	HEX. NUT ZINC 1/2-20
36	NC01-69-0786	1	GREASE FITTING 1/4-28 X 45

#	PART #	Qty	TITLE
1	NC01-04-0107	4	CARR. BOLT GR2 ZINC 3/8-16 X 3/4"
2	NC02-14-0019	4	FLANGE NUT HEX. NC 3/8-16 GR. B
3	80-50-0070	1	CHAIN GUARD

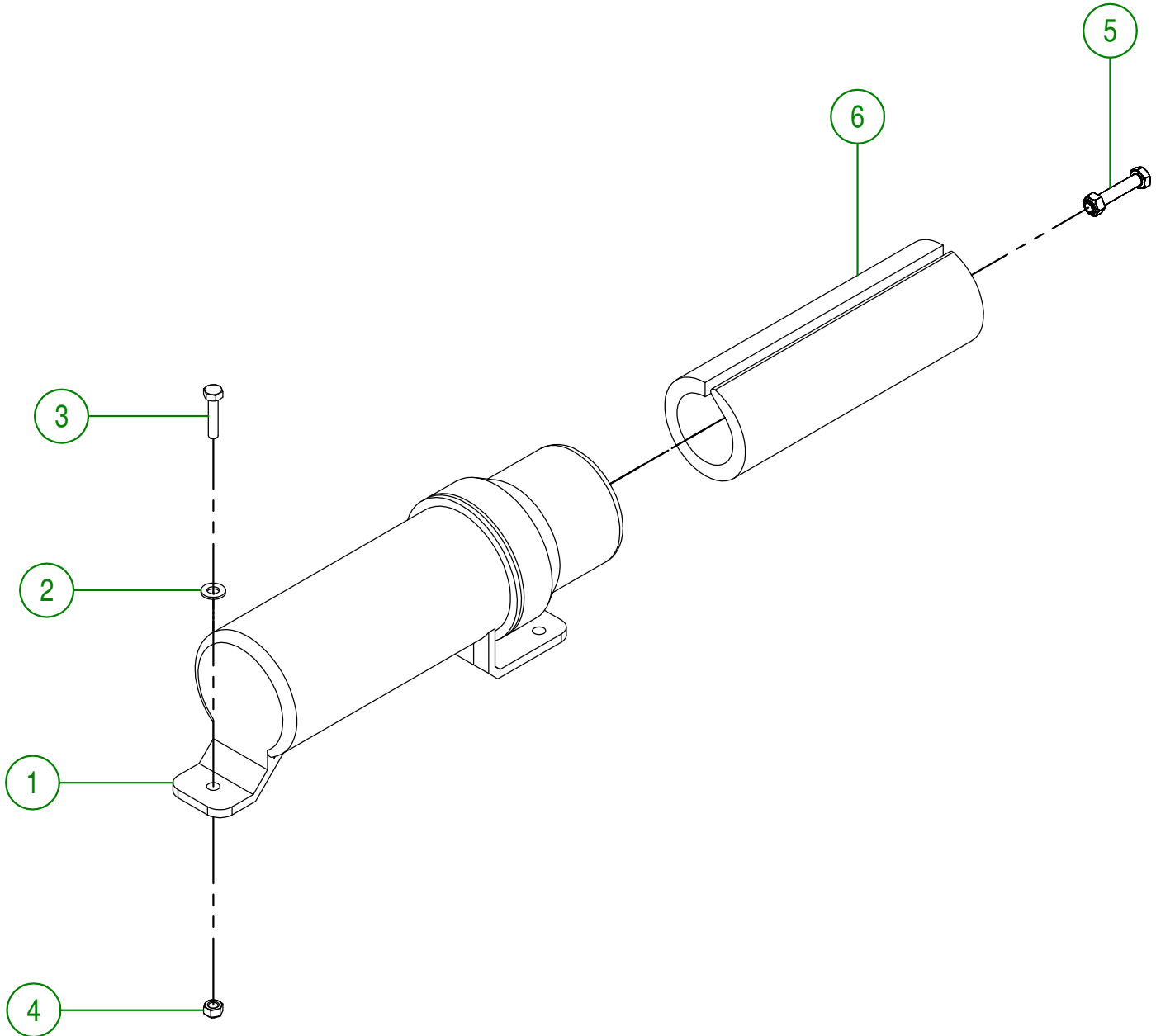
**AGRIMETAL****SPIRAL CHAIN GUARD GROUP**CREATION : 18/07/16
REVISION : 03/04/18ASSEMBLY : **80-57-0405**
AUTHOR : J. HOULE | Page 16 de 20

#	PART #	Qty	TITLE
1	01-01-2485	4	FLAT WASHER 14 GA X 13/16"OD X 25/64" ID
2	NC01-17-0114	2	HEX. BOLT GR2 ZINC 3/8-16 X 1"
3	NC01-96-0011	2	NYLON NUT 3/8-16
4	80-57-0036	1	CHAIN GUARD



AGRIMETAL	
CHAIN GUARD GROUP	
CREATION : 18/07/16	ASSEMBLY : 80-57-0445
REVISION : 18/11/19	AUTHOR : J. HOULE Page 17 de 20

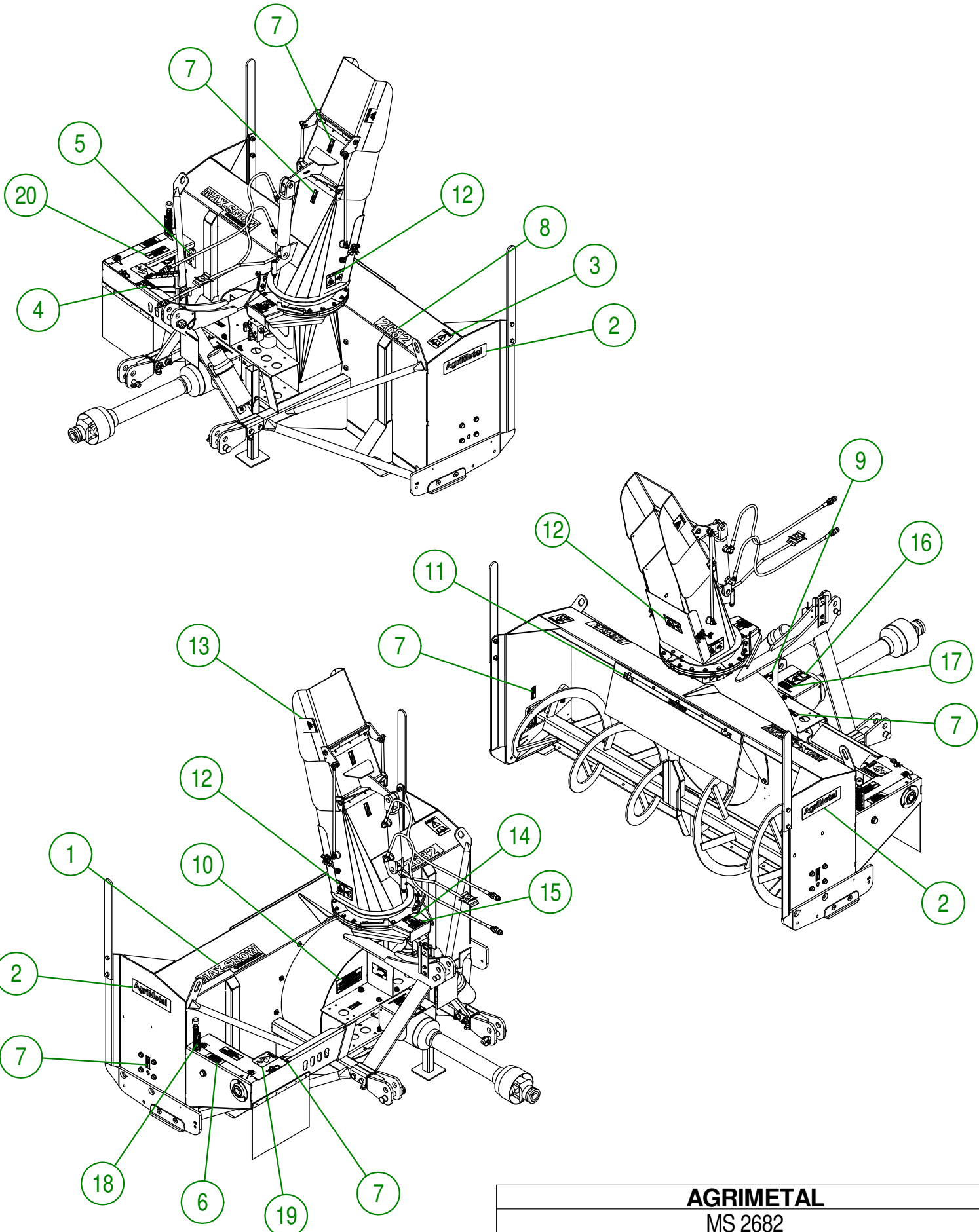
#	PART #	Qty	TITLE
1	NCI3-30-0237	1	PLASTIC TUBE FOR OPERATOR'S MANUAL
2	NC02-22-0008	2	WASHER ZINC 5/16"
3	NC01-17-0007	2	HEX. BOLT GR2 ZINC 1/4-20 X 1 1/4"
4	NC01-96-0009	2	NYLON-INSERT LOCKNUT ZINC 1/4-20
5	80-57-0030	1	SET OF 6 SHEAR BOLT WITH NUT
6	80-98-0522	1	ENGLISH OPERATOR'S MANUAL (MS26, 26-D, 24-D)

**AGRIMETAL****OPERATOR'S MANUAL TUBE GROUP**

CREATION : 18/07/16
 REVISION : 08/05/18

ASSEMBLY : **80-57-0400**

AUTHOR : J. HOULE | Page 18 de 20



AGRIMETAL

MS 2682

CREATION : 18/07/16
 REVISION : 18/11/19

ASSEMBLY : **80-99-0500**

AUTHOR : J. HOULE Page 19 de 20

#	PART #	Qty	TITLE
1	NC13-33-0241	1	STICKER MAX-SNOW COMMERCIAL
2	NC13-33-0035	2	STICKER AGRIMETAL
3	NC13-33-0183	1	STICKER CAUTION OPERATION MANUAL
4	NC13-33-0280	1	STICKER SHEAR BOLT
5	NC13-33-0189	1	STICKER DANGER (PERSON AND CHAIN DRIVE)
6	NC13-33-0104	1	STICKER IMPORTANT 4 INCHES 100 MM
7	NC13-33-0024	6	STICKER GREASE HERE
8	NC13-33-0243	1	STICKER 2682
9	NC13-50-0086	1	SERIAL NUMBER PLATE
10	NC13-33-0317	1	STICKER GREASE DRIVE LINE TELESCOPIC SHAFT
11	NC13-33-0274	1	STICKER DANGER
12	NC13-33-0249	3	STICKER DANGER
13	NC13-33-0192	2	STICKER (PROJECTION RISK)
14	NC13-33-0326	1	STICKER DANGER (HAND)
15	NC13-33-0327	1	STICKER END ROTATION ADJUSTMENT
16	NC13-33-0187	1	STICKER DANGER (PTO AND PERSON)
17	NC13-33-0005	1	STICKER MAXIMUM 540 RPM
18	NC13-33-0344	1	ADJUSTMENT INDICATOR STICKER
19	NC13-33-0283	1	STICKER DANGER (PERSON AND CHAIN DRIVE)
20	NC13-33-0343	1	GREASE CHAIN EVERY 10 HOURS STICKER

AGRIMETAL**MS 2682**

CREATION : 18/07/16
 REVISION : 18/11/19

ASSEMBLY : **80-99-0500**

AUTHOR : J. HOULE Page 20 de 20