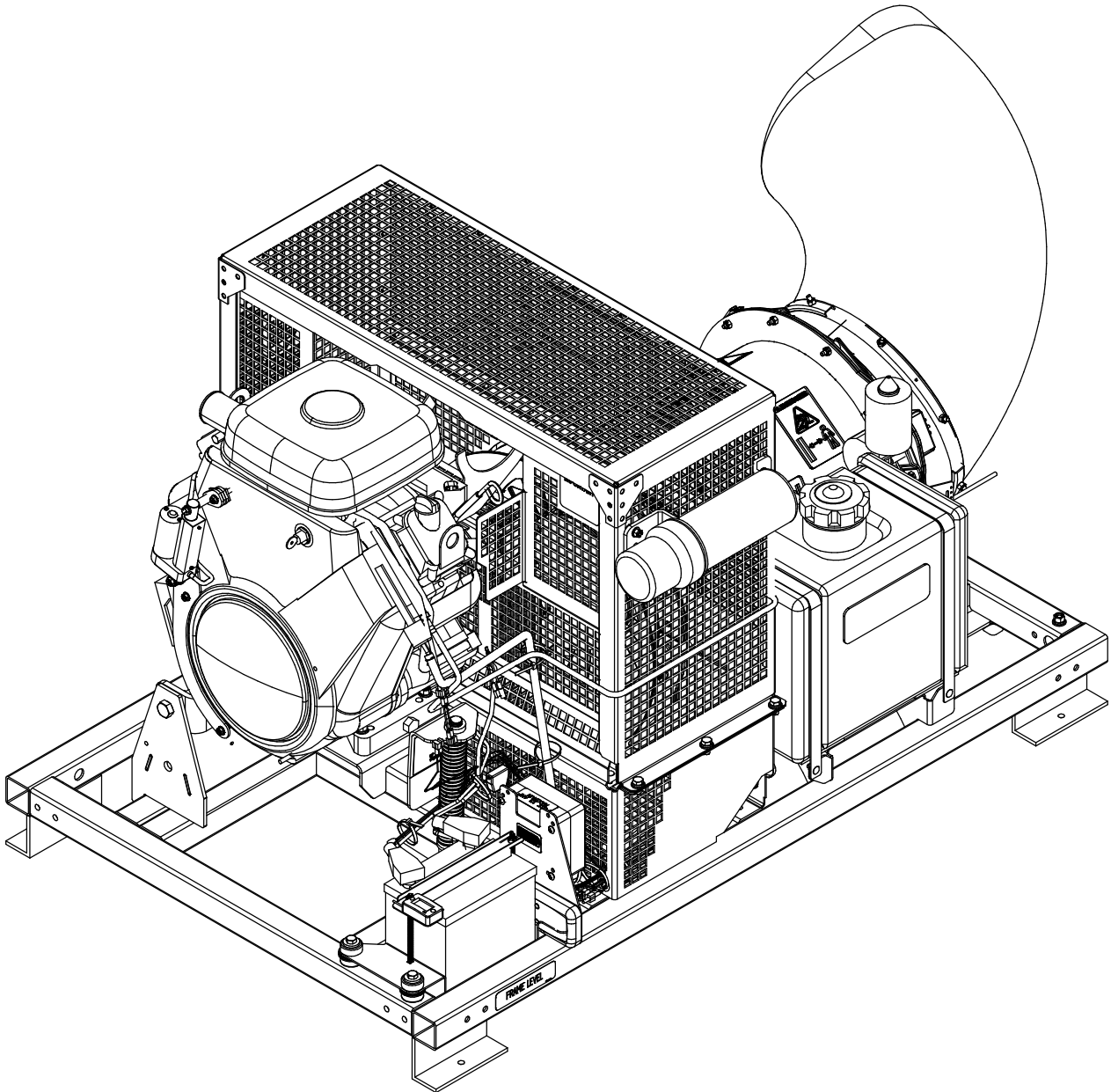
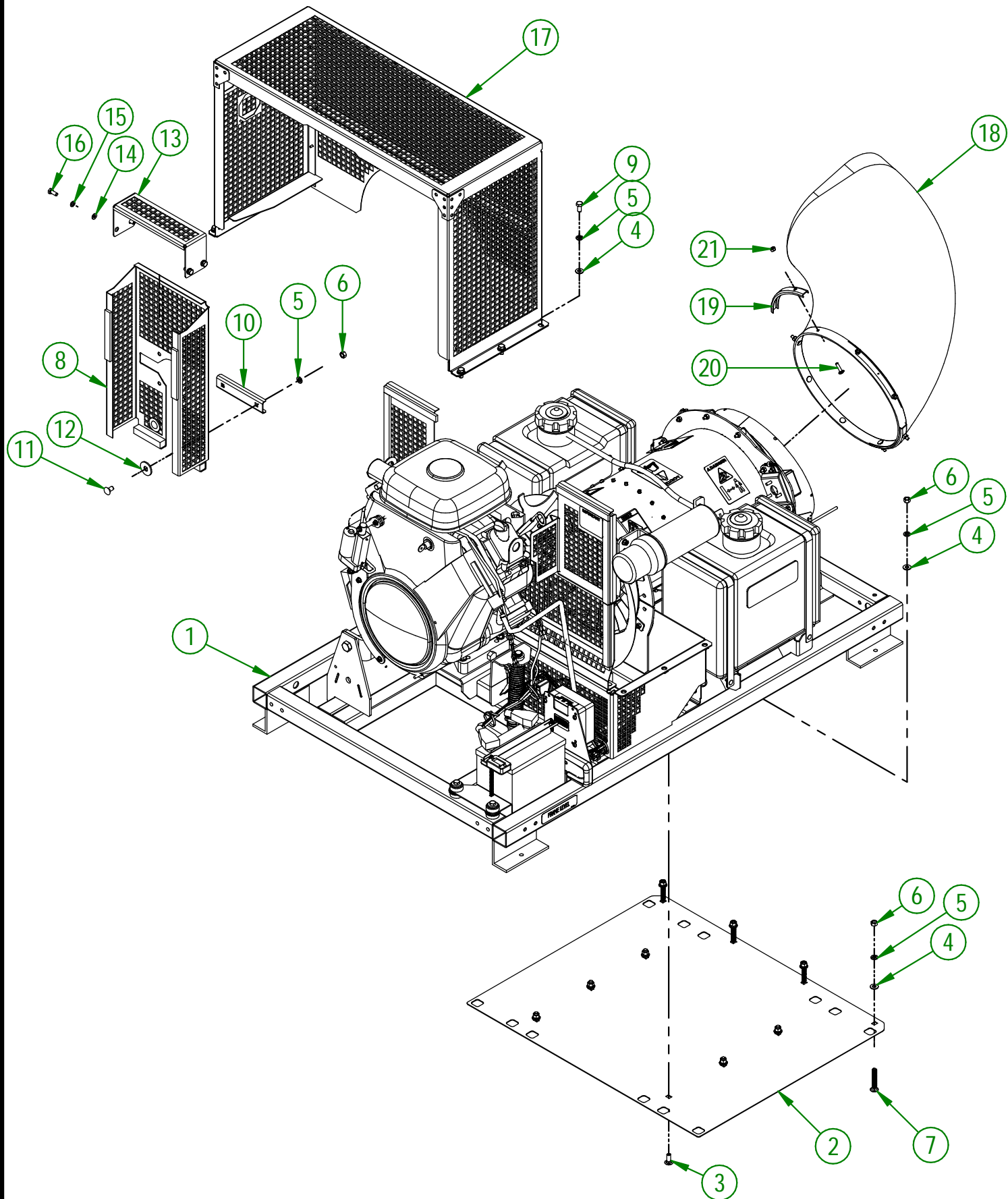


AgriMetal

PART LIST



TURBINE BLOWER 350 IC

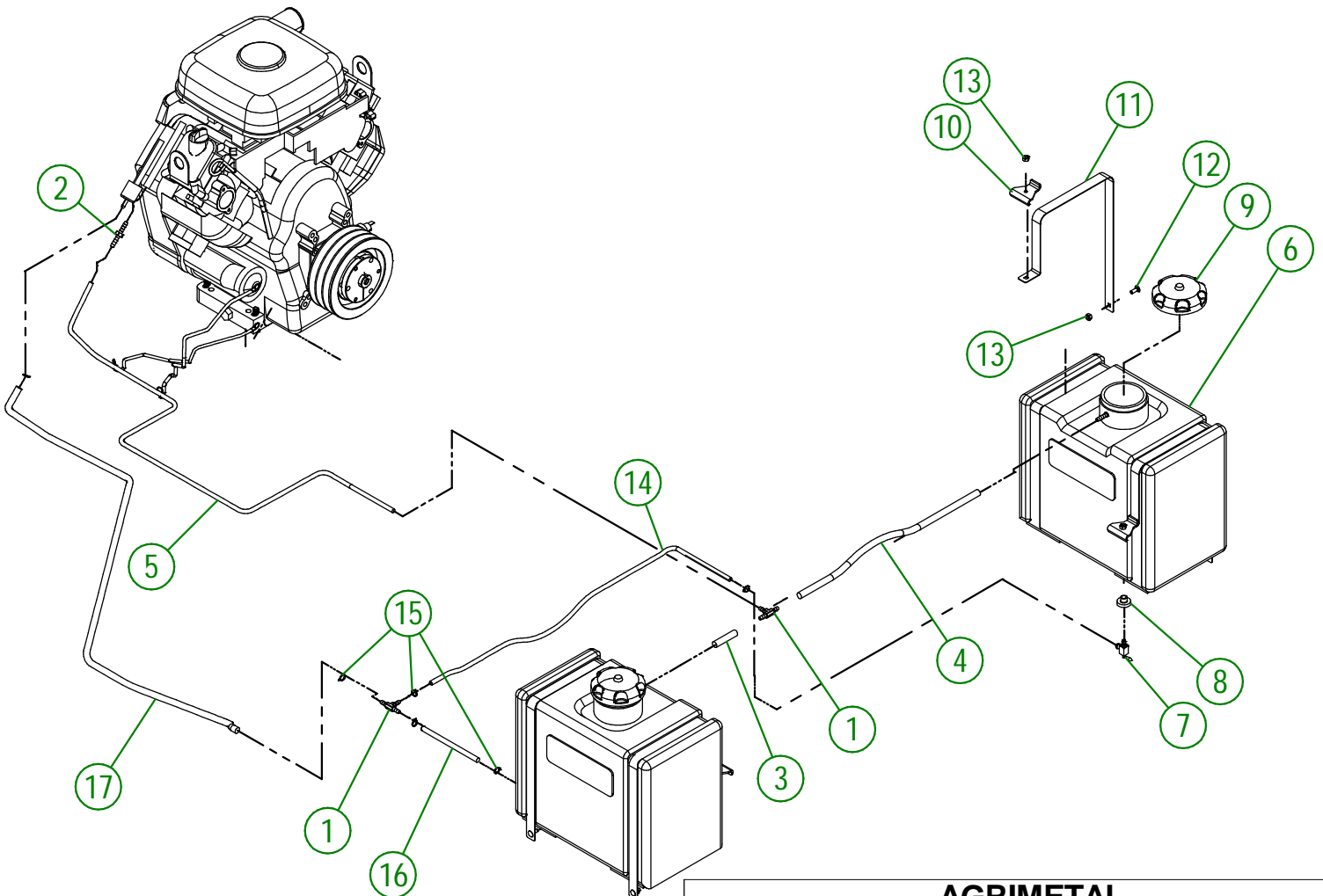


| | | |
|------------------------------|------------|-------------------|
| AGRIMETAL | | |
| TURBINE BLOWER 350 IC | | |
| CREATION : 13/10/22 | ASSEMBLY : | 33-99-3600 |
| REVISION : 25/10/22 | AUTHOR : | dessin3 |

33-99-3600

| # | PART # | Qty | TITLE |
|----|--------------|-----|--|
| 1 | 33-57-3500 | 1 | FRAME GROUP |
| 2 | 33-01-3071 | 1 | SCRATCH PLATE |
| 3 | NC01-04-0109 | 6 | CARR. BOLT GR2 ZINC 3/8-16 X 1" |
| 4 | 01-01-2485 | 16 | FLAT WASHER 14 GA X 13/16"OD X 25/64" ID |
| 5 | NC02-32-0012 | 18 | LOCK WASHER ZINC 3/8" |
| 6 | NC02-07-0018 | 12 | HEX. NUT ZINC 3/8-16 |
| 7 | NC01-04-0115 | 4 | CARR. BOLT GR2 ZINC 3/8-16 X 2 1/2" |
| 8 | 33-55-2610 | 1 | BELT GUARD (RIBBON INCLUDED) |
| 9 | NC01-17-0112 | 6 | HEX. BOLT GR2 ZINC 3/8-16 X 3/4" |
| 10 | 33-03-4805 | 1 | BELT GUARD REINFORCING |
| 11 | NC01-04-0107 | 2 | CARR. BOLT GR2 ZINC 3/8-16 X 3/4" |
| 12 | 01-01-1660 | 2 | WASHER SPACER |
| 13 | 33-50-0100 | 1 | STRAP GUARD |
| 14 | NC02-22-0008 | 4 | WASHER ZINC 5/16" |
| 15 | NC02-32-0011 | 4 | LOCK WASHER ZINC 5/16" |
| 16 | NC01-17-0058 | 4 | HEX. BOLT GR2 ZINC 5/16-18 X 3/4" LG |
| 17 | 33-55-0655 | 1 | GRILL (TB350 IC) |
| 18 | 33-42-0005 | 1 | 90° PLASTIC ELBOW |
| 19 | 33-01-2480 | 4 | DUCT CLAMP |
| 20 | NC01-04-0005 | 8 | CARR. BOLT GR2 ZINC 1/4-20 X 1" |
| 21 | NC01-96-0009 | 8 | NYLON-INSERT LOCKNUT ZINC 1/4-20 |

| # | PART # | Qty | TITLE |
|----|--------------|-----|---|
| 1 | NC13-68-0025 | 2 | T UNION 1/4" DI |
| 2 | NC13-65-0065 | 1 | BARBED HOSE REDUCER 1/4" X 3/16" |
| 3 | 33-46-0605 | 1 | GAS HOSE VAPOR 1/2" DIA. X 1/4" DI X 2 1/4" EPA |
| 4 | 33-46-0600 | 1 | GAS HOSE VAPOR 1/2" DIA. X 1/4" DI X 19 1/4" EPA |
| 5 | 33-46-0612 | 1 | VAPOR GAS LINE EPA 1/2" DIA. X 1/4" I.D. X 44" LG |
| 6 | NC13-80-0248 | 2 | GAS TANK |
| 7 | NC13-80-0266 | 2 | 1/4" ON-OFF GAS VALVE |
| 8 | NC13-80-0265 | 2 | GROMMET VITRON #46866I |
| 9 | NC13-80-0247 | 2 | GAS CAP |
| 10 | 33-01-1500 | 4 | GAS TANK STRAP SUPPORT |
| 11 | 33-01-3060 | 4 | GAS TANK STRAP |
| 12 | NC01-04-0002 | 4 | CARR. BOLT GR2 ZINC 1/4-20 X 5/8" |
| 13 | NC01-96-0009 | 8 | NYLON-INSERT LOCKNUT ZINC 1/4-20 |
| 14 | 33-46-0536 | 1 | GAS HOSE 1/4" ID X 1/2" OD X 6" |
| 15 | NC01-65-0201 | 6 | SPRING -GRIP HOSE CLAMPS 1/2" O.D |
| 16 | 33-46-0537 | 1 | GAS HOSE 1/4" ID X 1/2" OD X 32" |
| 17 | 33-46-0665 | 1 | GAS HOSE 1/4" ID X 1/2" OD X 39" |

**AGRIMETAL****TURBINE BLOWER 350 IC**

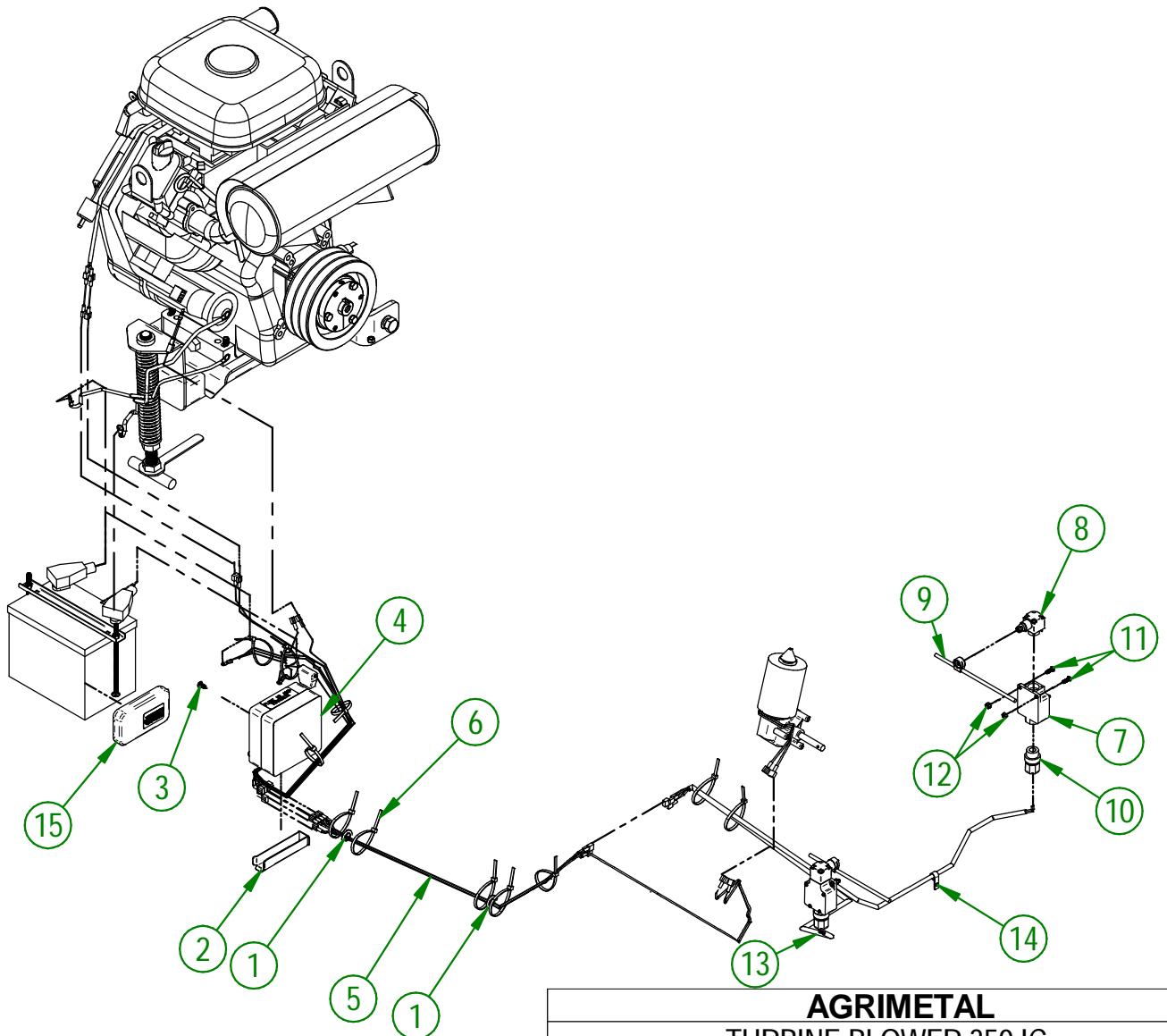
CREATION : 13/10/22

REVISION : 28/11/23

ASSEMBLY : **33-99-3600**

AUTHOR : D. CHASSÉ

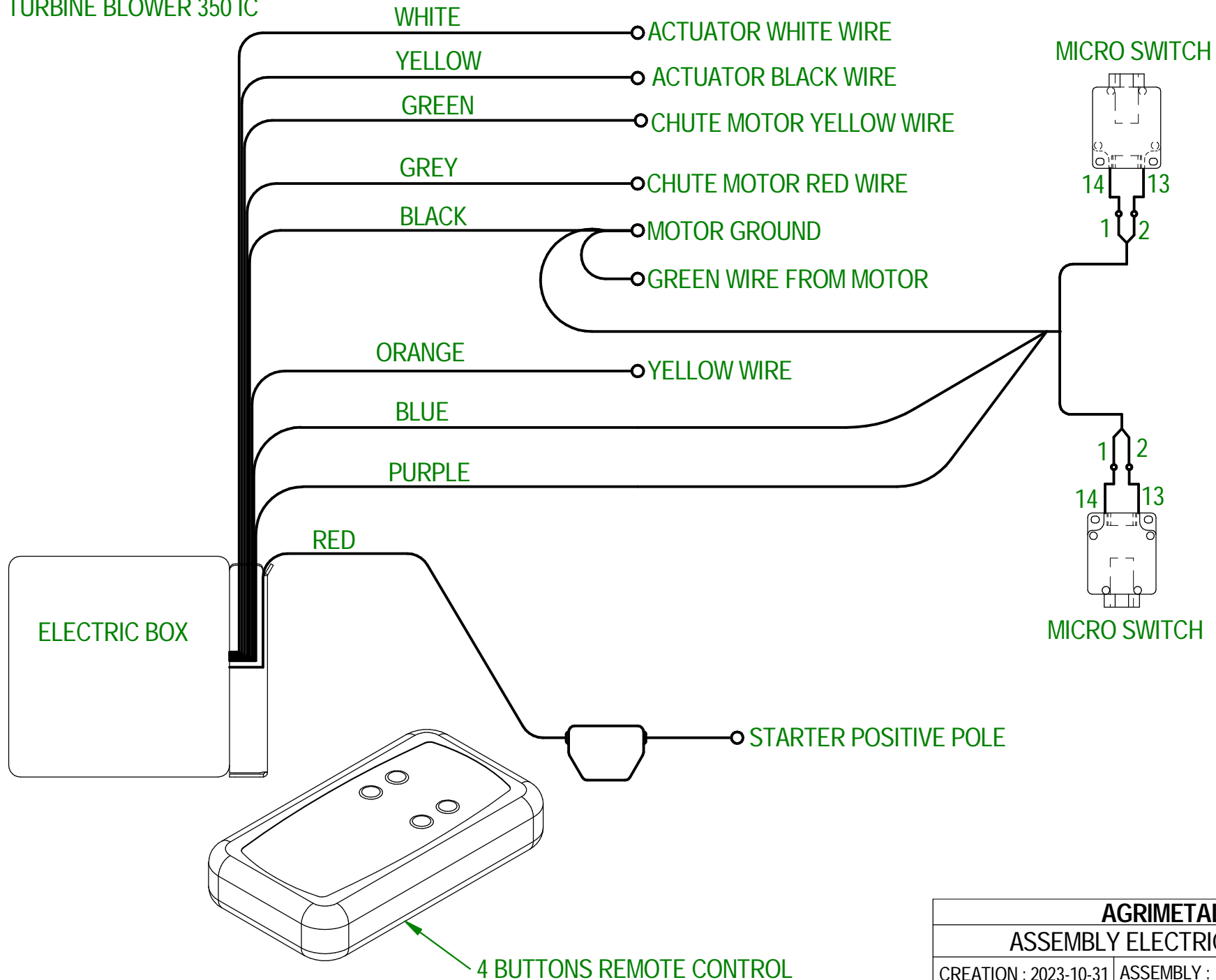
| # | PART # | Qty | TITLE |
|----|--------------|-----|--|
| 1 | NC13-15-0055 | 2 | INSULATING ROLLED COLLAR 7/16"ID X 15/16"OD X 5/16"T |
| 2 | 33-22-2240 | 1 | WIRE PROTECTOR |
| 3 | NC02-42-0096 | 4 | PHILLIPS SCREW ZINC #14 X 5/8" |
| 4 | NC13-25-0370 | 1 | ELECTRIC BOX TB 380 |
| 5 | NC13-25-0375 | 1 | 67" NEW BOX WIRE |
| 6 | NC13-25-0019 | 11 | BLACK TIE RAP |
| 7 | NC13-25-0251 | 2 | MICRO SWITCH BODY |
| 8 | NC13-25-0252 | 2 | MICRO SWITCH HEAD |
| 9 | NC13-25-0253 | 2 | MICRO SWITCH ROD ADAPTOR |
| 10 | NC13-25-0012 | 2 | CONNECTOR "SKINTIGHT" (NYLON) 1/2 NPT X 0.200-0.470" |
| 11 | NC02-40-0081 | 4 | SCREW ZINC 10-24 X 5/8" |
| 12 | NC01-96-0006 | 4 | NYLON NUT ZINC 3/16 |
| 13 | 33-55-0515 | 1 | 18 GA ELECTRIC WIRE 600V (MICRO SWITCH) ASSY. |
| 14 | NC13-25-0233 | 2 | VINYLE PROTECTOR COLLAR |
| 15 | 33-57-0076 | 1 | REMOTE CONTROL GROUP. |

**AGRIMETAL****TURBINE BLOWER 350 IC**

CREATION : 13/10/22
 REVISION : 13/10/22

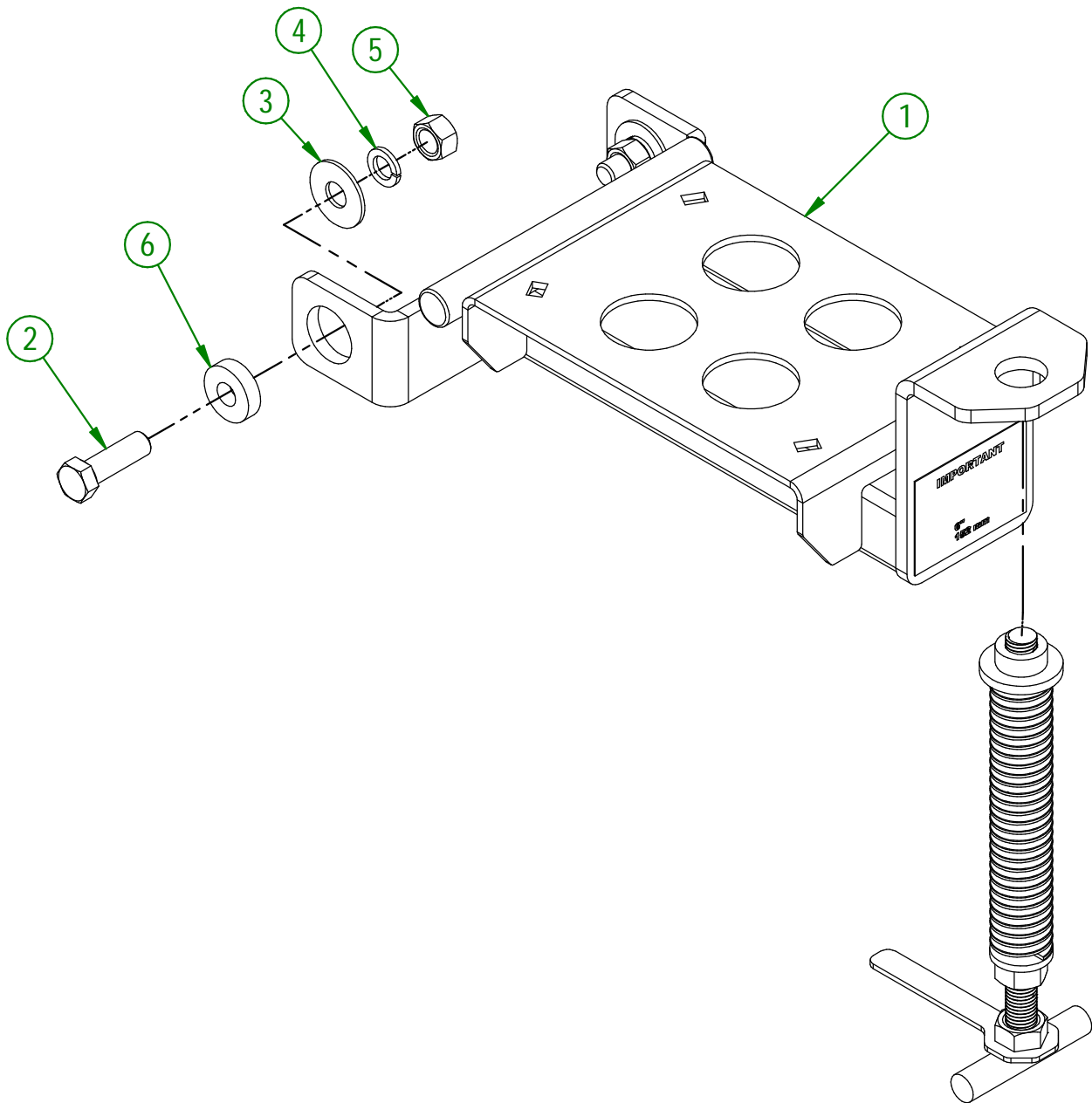
ASSEMBLY : **33-99-3600**
 AUTHOR : D. CHASSÉ

TURBINE BLOWER 270 IC
TURBINE BLOWER 350 IC



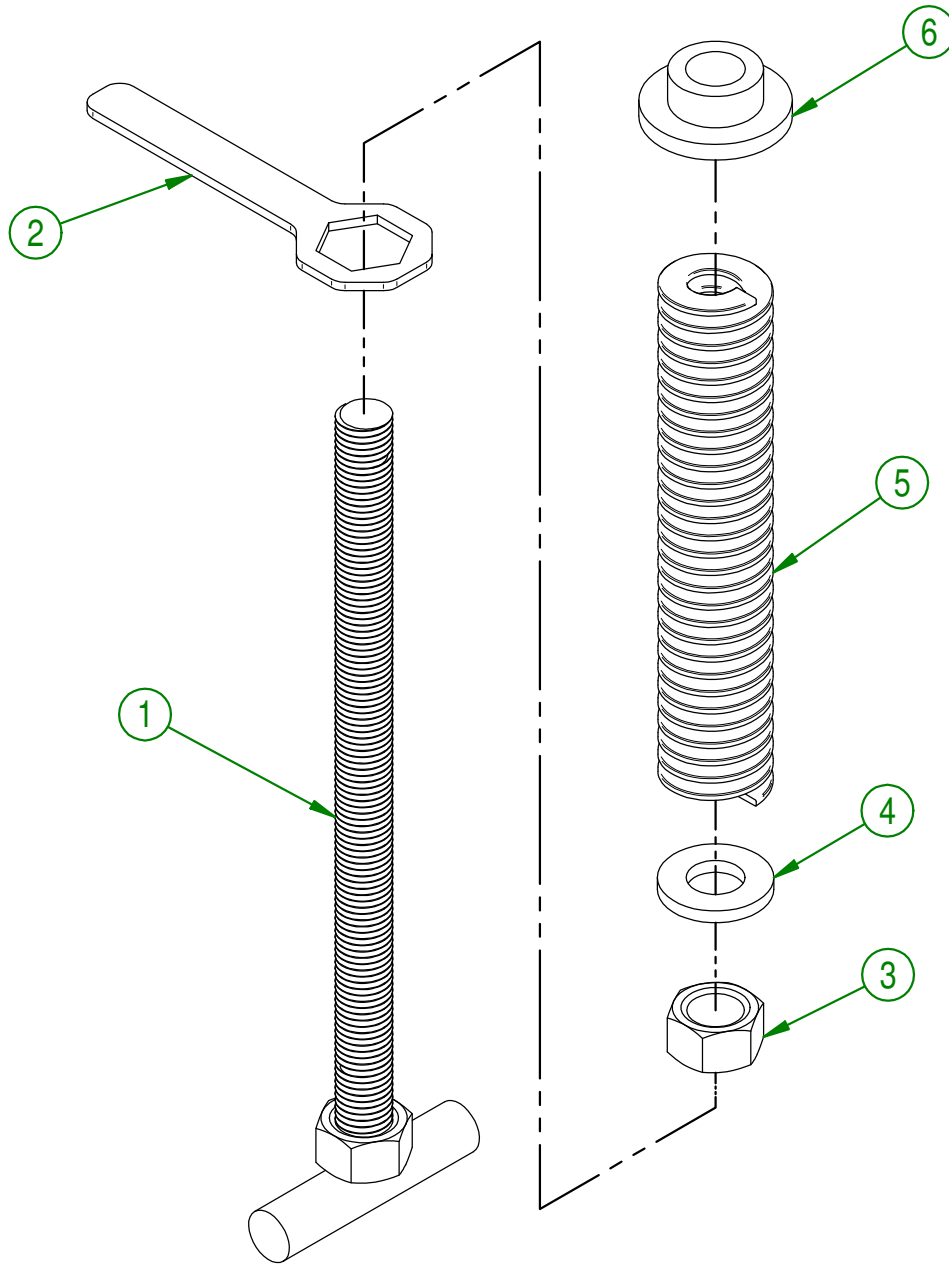
| | |
|---------------------------|------------------------------|
| AGRIMETAL | |
| ASSEMBLY ELECTRIC CONTROL | |
| CREATION : 2023-10-31 | ASSEMBLY : 33-57-0506 |
| REVISION : 2024-02-12 | AUTHOR : D. CHASSÉ |

| # | PART # | Qty | TITLE |
|---|--------------|-----|---------------------------------|
| 1 | 33-50-0505 | 1 | ENGINE BASE |
| 2 | NC01-17-0396 | 2 | HEX. BOLT GR2 ZINC 5/8-11 X 2" |
| 3 | NC02-22-0014 | 2 | WASHER ZINC 11/16 ID X 1 3/4 OD |
| 4 | NC02-32-0016 | 2 | LOCK WASHER ZINC 5/8" |
| 5 | NC02-07-0022 | 2 | HEX. NUT ZINC 5/8-11 |
| 6 | 33-13-0005 | 2 | ENGINE BASE BUSHING |

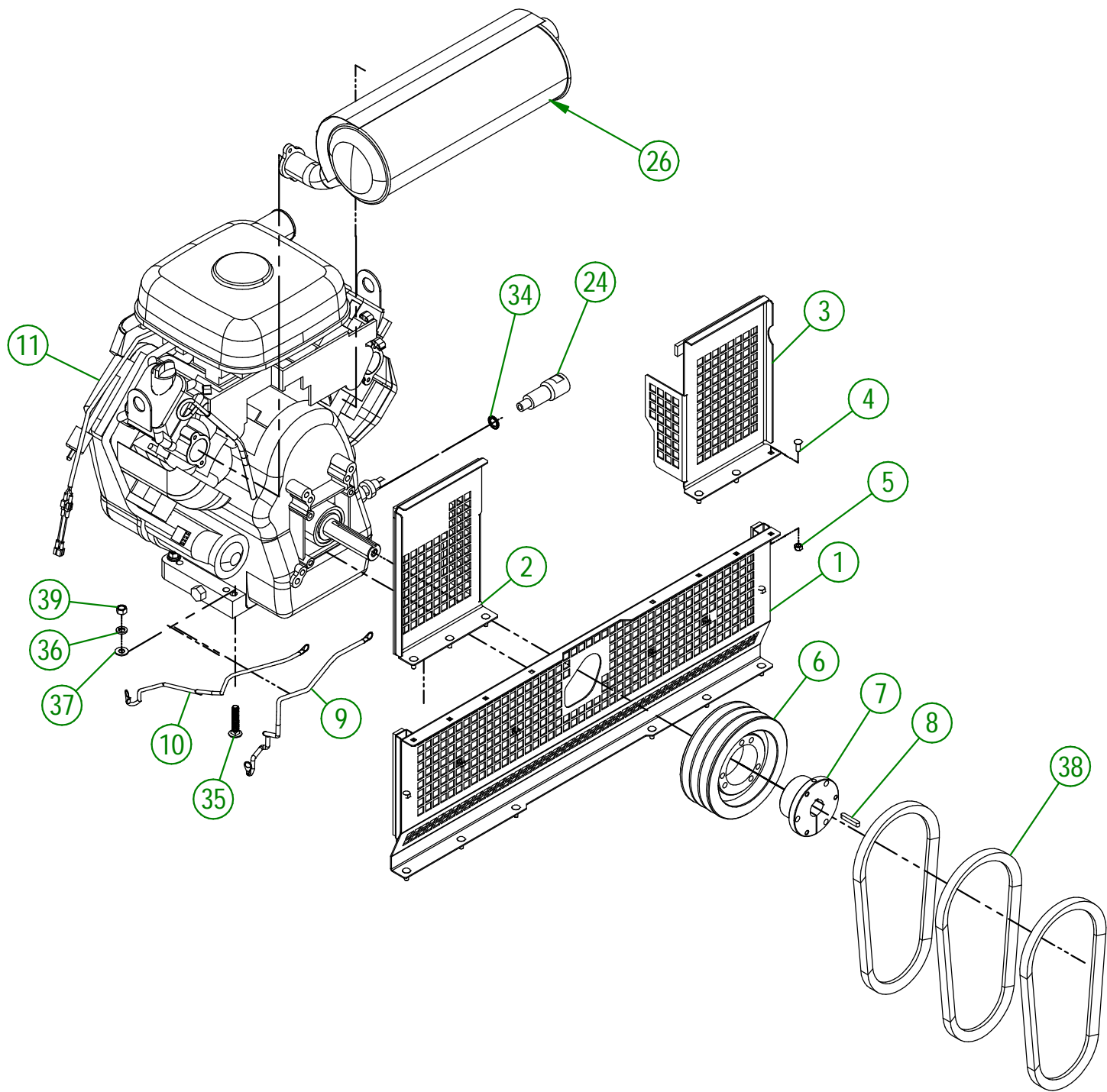


| | |
|---------------------------|------------------------------|
| AGRIMETAL | |
| ENGINE BASE GROUP. | |
| CREATION : 14/11/17 | ASSEMBLY : 33-57-0585 |
| REVISION : 26/09/23 | AUTHOR : J.KABWE |

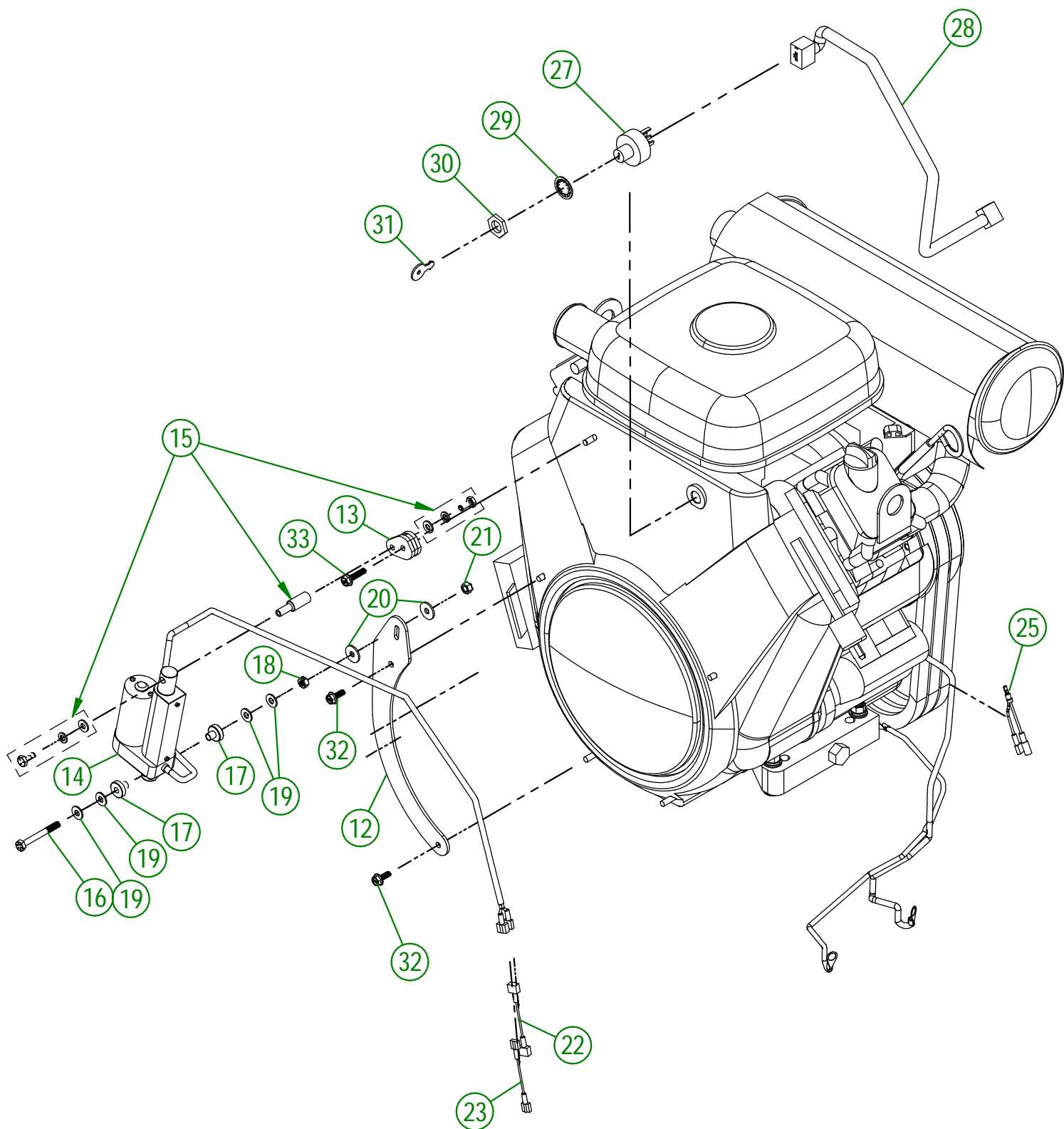
| # | PART # | Qty | TITLE |
|---|--------------|-----|----------------------------------|
| 1 | 33-50-0570 | 1 | BELT TENSION |
| 2 | 33-01-0975 | 1 | TENSIONNER KEY |
| 3 | NC02-07-0023 | 1 | HEX. NUT ZINC 3/4-10 |
| 4 | 22-04-6805 | 1 | FLAT WASHER BEARING BASE |
| 5 | NC13-86-0083 | 1 | BLUE SPRING 1/2" ID X 1" OD X 4" |
| 6 | 33-42-0110 | 1 | TENSIONNER GUIDE |



| | |
|------------------------------|---------------------------------|
| AGRIMETAL | |
| ASSEMBLY BELT TENSION | |
| CREATION : 09/11/17 | ASSEMBLY : 33-57-0586 |
| REVISION : 08/01/18 | AUTHOR : J.KABWE Page 8 de 20 |



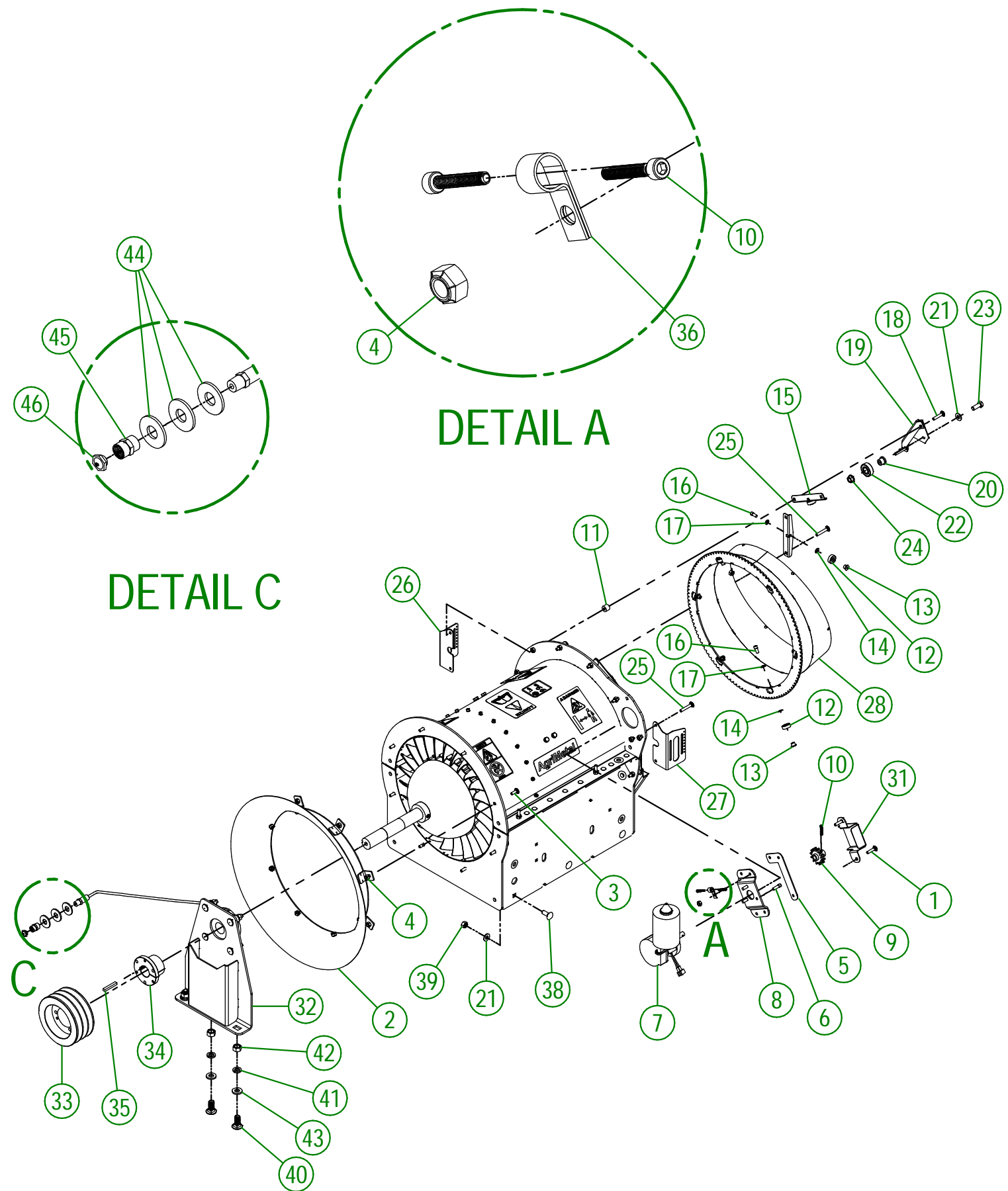
| | |
|--------------------------------------|------------------------------|
| AGRIMETAL | |
| ASSEMBLY VANGUARD ENGINE 35HP | |
| CREATION : 06/10/22 | ASSEMBLY : 33-57-0545 |
| REVISION : 03/07/23 | AUTHOR : D. CHASSÉ |



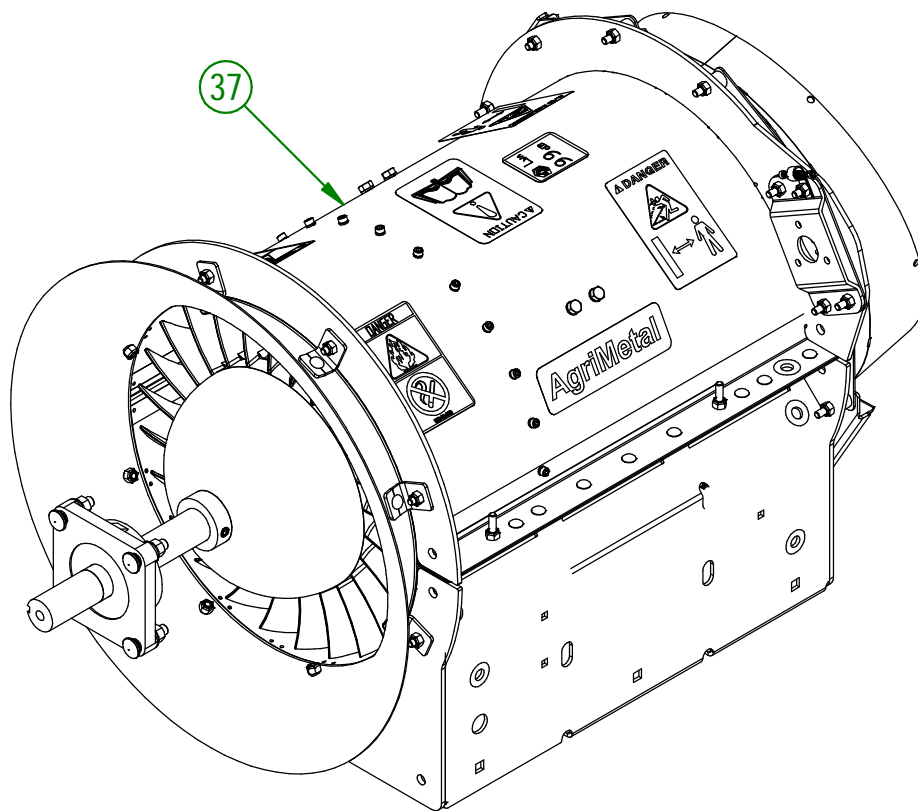
| | |
|--------------------------------------|------------------------------|
| AGRIMETAL | |
| ASSEMBLY VANGUARD ENGINE 35HP | |
| CREATION : 06/10/22 | ASSEMBLY : 33-57-0545 |
| REVISION : 03/07/23 | AUTHOR : D. CHASSÉ |

33-57-0545

| # | PART # | Qty | TITLE |
|----|---------------|-----|---|
| 1 | 33-57-0590 | 1 | ASSEMBLY BOTTOM ENGINE GUARD |
| 2 | 33-01-0065 | 1 | MUFFLER GUARD |
| 3 | 33-01-0075 | 1 | LEFT MUFFLER GUARD |
| 4 | NC01-04-0002 | 6 | CARR. BOLT GR2 ZINC 1/4-20 X 5/8" |
| 5 | NC01-96-0009 | 6 | NYLON-INSERT LOCKNUT ZINC 1/4-20 |
| 6 | NC14-62-0220 | 1 | PULLEY QD 3V 1/2-5/8 X 6.75 OD X SD 3B64 |
| 7 | NC14-62-0004 | 1 | QD BUSHING SD 1 1/8 |
| 8 | NC01-65-0087 | 1 | KEY 1/4 X 1/4 X 1 1/2" |
| 9 | 33-55-0506 | 1 | POSITIVE CABLE (14" LG) |
| 10 | 33-55-0511 | 1 | NEGATIVE CABLE (16" LG) |
| 11 | NC14-40-0051 | 1 | VANGUARD ENGINE 35 HP ELECTRIC START |
| 12 | 33-01-0205 | 1 | ACTUATOR SUPPORT |
| 13 | 33-50-0200 | 1 | ACTUATOR PIVOT LEVER |
| 14 | NC14-35-0232 | 1 | ELECTRIC ACTUATOR 12 VOLTS 1" TRAVEL RUN |
| 15 | 33-57-0107 | 1 | ACTION ROD |
| 16 | NC01-37-0011 | 1 | HEX. BOLT GR8 1/4-28 X 2 1/4 |
| 17 | 33-42-0120 | 2 | PIVOT BUSHING |
| 18 | NC02-14-1200 | 1 | TWO WAY LOCK NUT 1/4-28 |
| 19 | NC02-25-0007 | 4 | WASHER ZINC 0.281 = 9/32 |
| 20 | 36-01-2430 | 2 | FLAT WASHER 14GA X 17/64" I.D. X 13/16" O.D. |
| 21 | NC01-97-0004 | 1 | NYLON-INSERT LOCKNUT ZINC 1/4-28 |
| 22 | 33-55-0610 | 1 | 16 GA YELLOW CABLE X 2" ASSY. |
| 23 | 33-55-0615 | 1 | 16 GA WHITE CABLE X 2" ASSY. |
| 24 | 33-21-0125 | 1 | MOTOR DRAIN EXTENSION |
| 25 | 33-55-0650 | 1 | 16 GA BLACK CABLE (Y FOR RECEIVER) HONDA |
| 26 | NC13-37-0677 | 1 | 35 HP VANGUARD MUFFLER |
| 27 | NC13-37-0678 | 1 | IGNITION SWITCH |
| 28 | NC13-37-0679 | 1 | WIRE HARNESS ASS'Y |
| 29 | NC13-37-0676 | 1 | LOCK WASHER |
| 30 | NC13-37-0674 | 1 | HEX NUT |
| 31 | NC-13-37-0675 | 1 | KEY SET |
| 32 | NC01-50-1172 | 2 | STEEL FLANGED HEX HEAD SCREW M6 X 0.75 X 16MM LG. |
| 33 | NC01-50-1172 | 1 | STEEL FLANGED HEX HEAD SCREW M6 X 0.75 X 25MM LG |
| 34 | NC13-45-0392 | 1 | METAL BOND SEALING WASHER 13.7MM ID X22.4MM OD |
| 35 | NC01-02-0113 | 4 | CARR. BOLT GR2 ZINC 3/8-16 X 2" |
| 36 | NC02-32-0012 | 8 | LOCK WASHER ZINC 3/8" |
| 37 | 01-01-2485 | 8 | FLAT WASHER 14 GA X 13/16"OD X 25/64" ID |
| 38 | NC14-25-1070 | 3 | V BELT 21/32 COGGED RAW EDGE BX-31 |
| 39 | NC02-07-0018 | 4 | HEX. NUT ZINC 3/8-16 |



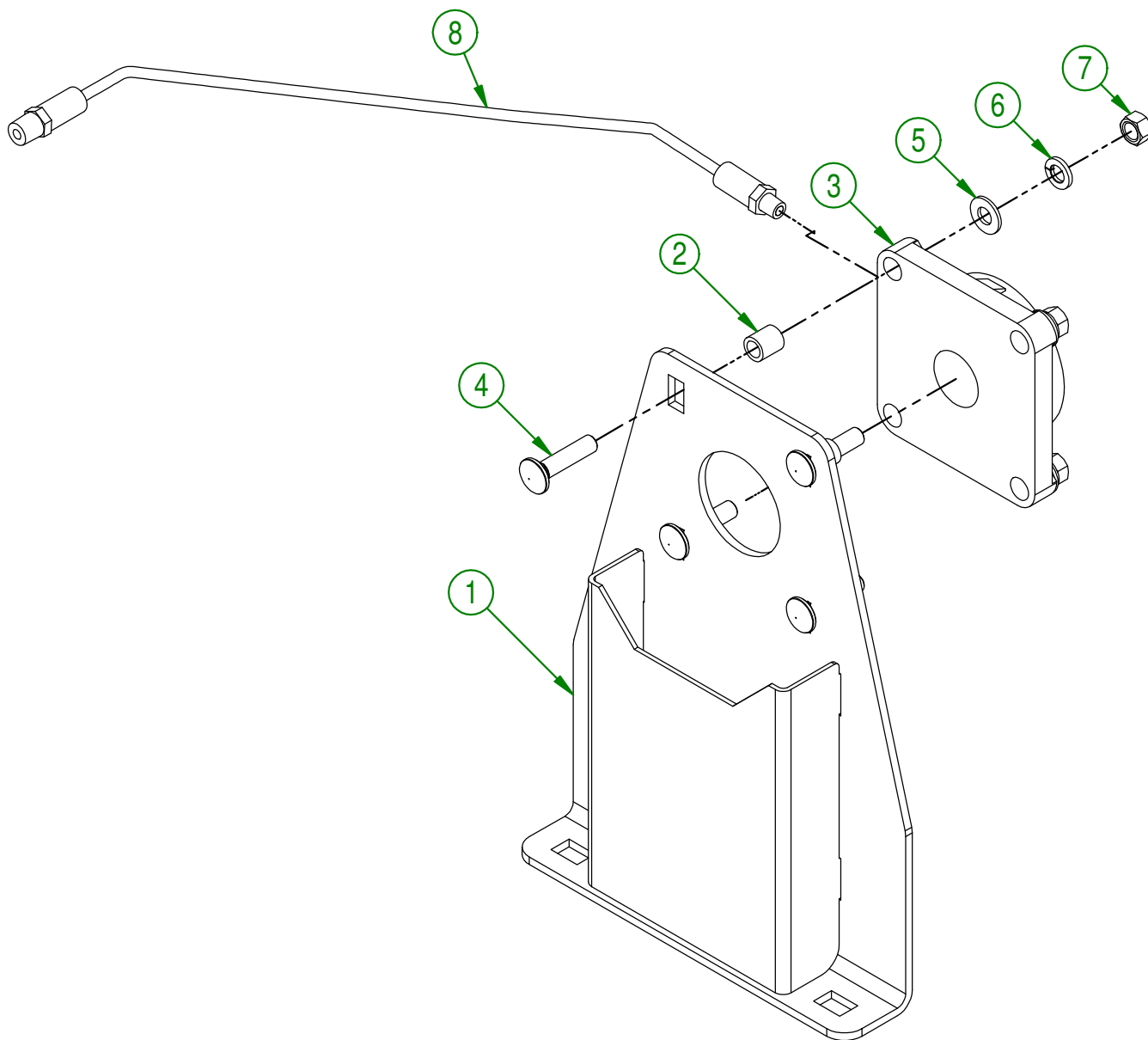
| | |
|-------------------------|------------------------------|
| AGRIMET | |
| ASSEMBLY TURBINE | |
| CREATION : 20/11/17 | ASSEMBLY : 33-57-0521 |
| REVISION : 25/10/23 | AUTHOR : J.KABWE |



| | |
|-------------------------|------------------------------|
| AGRIMETAL | |
| ASSEMBLY TURBINE | |
| CREATION : 20/11/17 | ASSEMBLY : 33-57-0521 |
| REVISION : 25/10/23 | AUTHOR : J.KABWE |

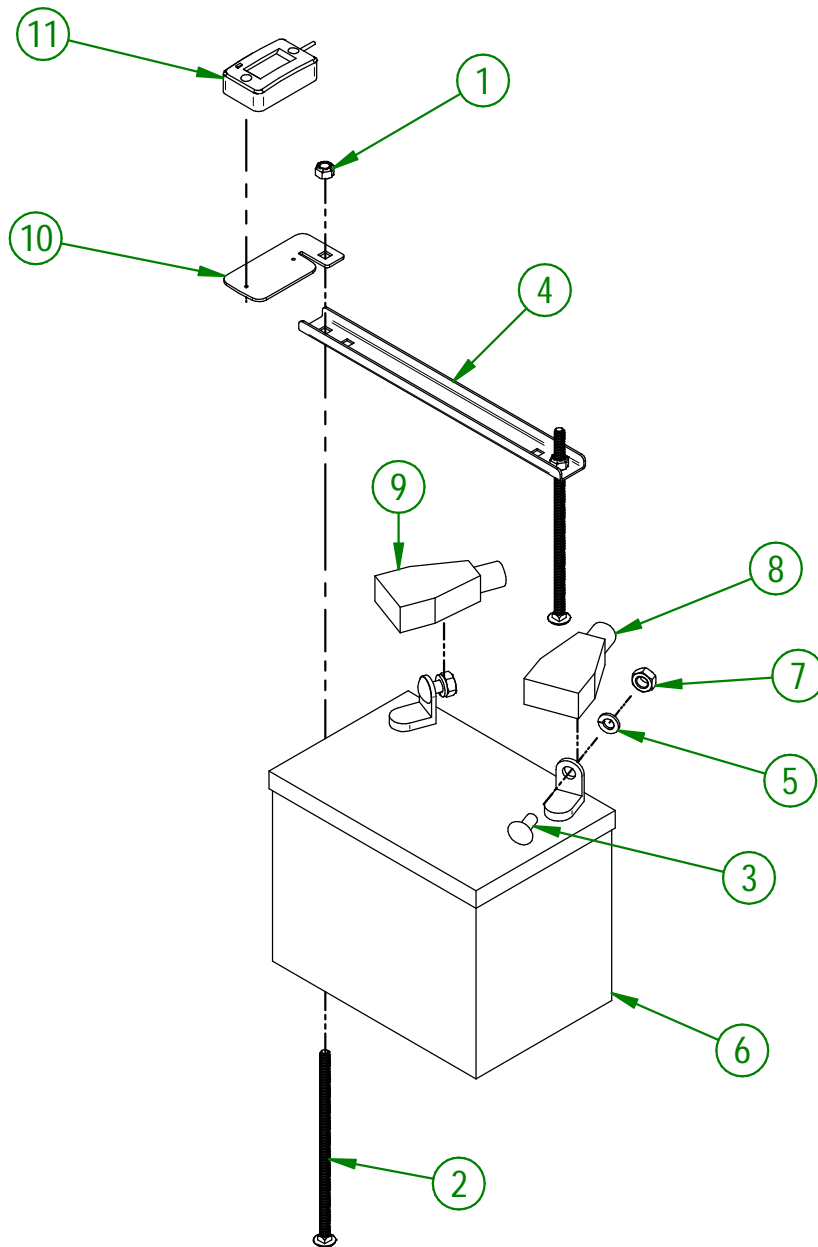
| # | PART # | QTY | TITLE |
|----|--------------|-----|---|
| 1 | NC01-04-0005 | 6 | CARR. BOLT GR2 ZINC 1/4-20 X 1" |
| 2 | 33-55-0085 | 1 | AIR INTAKE ASSY. |
| 3 | NC01-04-0003 | 8 | CARR. BOLT GR2 ZINC 1/4-20 X 3/4" |
| 4 | NC01-96-0009 | 23 | NYLON-INSERT LOCKNUT ZINC 1/4-20 |
| 5 | 33-01-2500 | 1 | ELECTRIC ENGINE SHIM |
| 6 | NC02-51-0080 | 3 | SOCKET CAP SCREW T.RON 1/4-28 X 3/4" |
| 7 | 33-55-0045 | 1 | DEFLECTOR ELECTRIC ENGINE |
| 8 | 33-01-0933 | 1 | ELECTRIC ENGINE SUPPORT |
| 9 | 33-55-0035 | 1 | GEARED CROWN SPROCKET |
| 10 | NC02-50-0069 | 3 | SOCKET CAP SCREW T.RON 8-32 X 1" |
| 11 | 33-21-0080 | 12 | SPACER |
| 12 | NC14-75-0153 | 12 | BALL BEARING R6 2RS 3/8" X 7/8" X 0.281" |
| 13 | 33-25-2410 | 12 | BEARING BUSHING |
| 14 | 33-03-4605 | 12 | BEARING SHIM 1/4" ALUMINUM |
| 15 | 33-01-2425 | 6 | BEARING HOLDER BRACKET |
| 16 | NC02-51-0578 | 12 | SOCKET CAP SCREW T.RON. NF 1/4-28 X 1/2 STAINLESS |
| 17 | NC02-32-0010 | 12 | LOCK WASHER ZINC 1/4" |
| 18 | NC01-04-0006 | 7 | CARR. BOLT GR2 ZINC 1/4-20 X 1 1/4" |
| 19 | 33-50-0555 | 3 | WELD ASSEMBLY BEARING SUPPORT |
| 20 | 33-21-0060 | 3 | BEARING HOLDER |
| 21 | 01-01-2485 | 9 | FLAT WASHER 14 GA X 13/16"OD X 25/64" ID |
| 22 | NC14-75-0068 | 3 | BALL BEARING 99502H |
| 23 | NC01-17-0114 | 3 | HEX. BOLT GR2 ZINC 3/8-16 X 1" |
| 24 | NC02-14-0019 | 3 | FLANGE NUT HEX. NC 3/8-16 GR. B |
| 25 | NC01-04-0007 | 5 | CARR. BOLT GR2 ZINC 1/4-20 X 1 1/2" |
| 26 | 33-01-2450 | 1 | RIGHT MICRO SWITCH SUPPORT |
| 27 | 33-01-2452 | 1 | LEFT MICRO SWITCH SUPPORT |
| 28 | 33-50-0515 | 1 | WELD ASSEMBLY CROWN DEFLECTOR |
| 29 | 33-50-1540 | 1 | MICRO SWITCH STOPPER |
| 30 | NC02-14-0017 | 1 | FLANGED NUT GR. B 1/4-20 |
| 31 | 33-01-3095 | 1 | SPROCKET GUARD |
| 32 | 33-55-0590 | 1 | BEARING SUPPORT |
| 33 | NC14-62-0201 | 1 | PULLEY QD 3V 1/2-5/8 X 5.55 OD X SD 3B52 |
| 34 | NC14-62-0005 | 1 | QD BUSHING SD 1 1/4" |
| 35 | 33-41-0920 | 1 | SQUARE KEY |
| 36 | NC13-25-0233 | 1 | VINYLE PROTECTOR COLLAR |
| 37 | 33-57-0527 | 1 | TURBINE 380 IC (NEW) |
| 38 | NC01-04-0109 | 6 | CARR. BOLT GR2 ZINC 3/8-16 X 1" |
| 39 | NC01-93-0011 | 6 | LOCK NUT 3/8-16 |
| 40 | NC01-04-0234 | 3 | CARR. BOLT GR2 ZINC 1/2-13 X 1 1/4 |
| 41 | NC02-32-0014 | 3 | LOCK WASHER ZINC 1/2" |
| 42 | NC02-07-0020 | 3 | HEX. NUT ZINC 1/2-13 |
| 43 | 01-01-0925 | 3 | WASHER |
| 44 | NC02-22-0012 | 3 | WASHER ZINC 1/2 BOLT = 9/16"Ø X 1 3/8" OD |
| 45 | NC13-65-0001 | 1 | UNION 1/4" NPT X 7/8" |
| 46 | NC01-69-0798 | 1 | GREASE FITTING 1/4" NPT X RIGHT |

| # | PART # | Qty | TITLE |
|---|--------------|-----|--|
| 1 | 33-50-0560 | 1 | BEARING HOLDER |
| 2 | 33-09-0000 | 4 | ROLLER BEARING BUSHING |
| 3 | 17-38-0005 | 1 | FLANGE BEARING UCF 207-20 X Ø 1 1/4" X Ø 1/8 NPT |
| 4 | NC01-04-0111 | 4 | CARR. BOLT GR2 ZINC 3/8-16 X 1 1/2" |
| 5 | 01-01-2485 | 4 | FLAT WASHER |
| 6 | NC02-32-0012 | 4 | LOCK WASHER ZINC 3/8" |
| 7 | NC02-07-0018 | 4 | HEX. NUT ZINC 3/8-16 |
| 8 | NC17-02-0366 | 1 | HYDRAULIC HOSE 1/4 X 18" CUT 1/8 NPTMALE RIG X 1/4 NPTMALE RIG |



| | |
|------------------------|--------------------------------|
| AGRIMETAL | |
| BEARING SUPPORT | |
| CREATION : 06/12/17 | ASSEMBLY : 33-55-0590 |
| REVISION : 30/01/18 | AUTHOR : J.KABWE Page 16 de 20 |

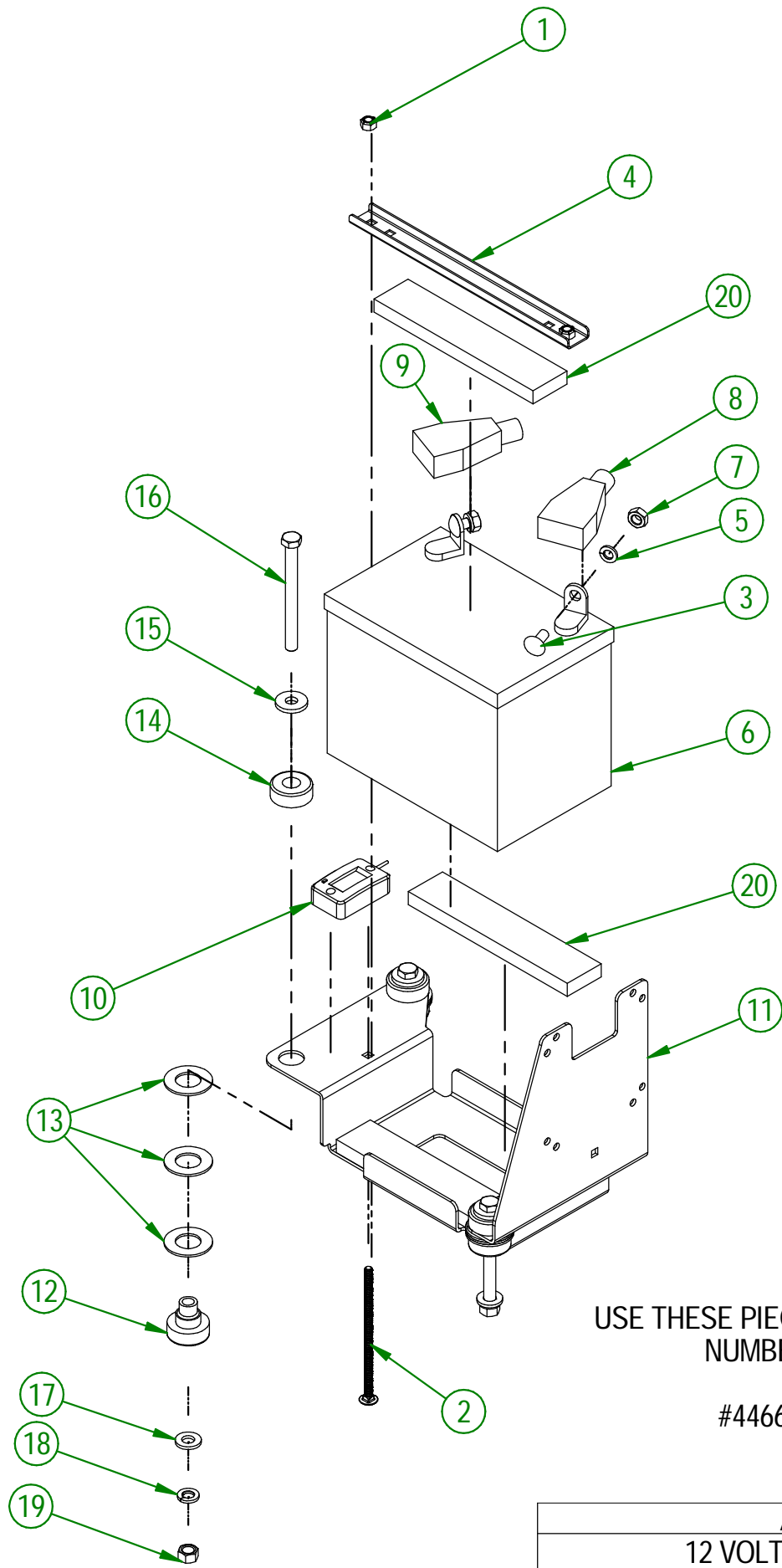
| # | PART # | Qty | TITLE |
|----|--------------|-----|----------------------------------|
| 1 | NC01-96-0009 | 2 | NYLON-INSERT LOCKNUT ZINC 1/4-20 |
| 2 | NC01-04-0027 | 2 | CARR. BOLT 1/4-20 X 6" LG |
| 3 | NC01-04-0056 | 2 | CARR. BOLT 5/16-18 X3/4" |
| 4 | 33-01-3015 | 1 | BATTERY STRAPE |
| 5 | NC02-32-0011 | 2 | LOCK WASHER ZINC 5/16" |
| 6 | NCI3-12-0001 | 1 | 12 VOLTS BATTERY |
| 7 | NC02-07-0017 | 2 | HEX. NUT 5/16-18 |
| 8 | NCI3-80-0267 | 1 | RED PROTECTOR FOR BATTERY POST |
| 9 | NCI3-80-0268 | 1 | BLACK PROTECTOR FOR BATTERY POST |
| 10 | 33-01-4000 | 1 | HOUR METER HOLDER |
| 11 | NCI3-37-0669 | 1 | HOUR METER |



USE THESE PIECES ONLY IF YOUR SERIAL NUMBER IS AFFECTED:

BELOW # 44661

| | |
|-------------------------|------------------------------|
| AGRIMETAL | |
| 12 VOLTS BATTERY GROUP. | |
| CREATION : 31/10/17 | ASSEMBLY : 33-57-0055 |
| REVISION : 11/09/23 | AUTHOR : J.KABWE |



USE THESE PIECES ONLY IF YOUR SERIAL NUMBER IS AFFECTED:

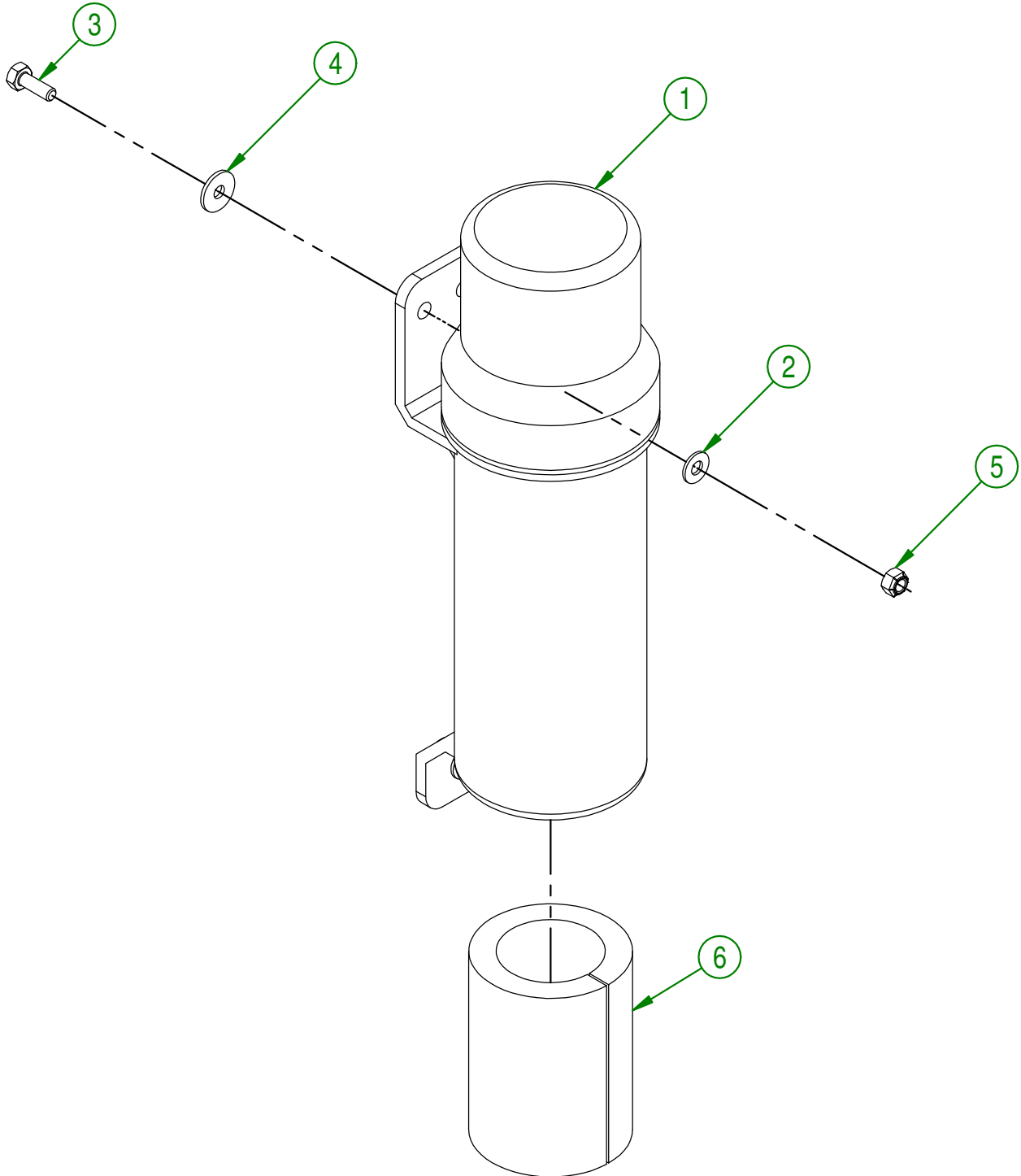
#44661 AND ABOVE

| | |
|-------------------------|------------------------------|
| AGRIMETAL | |
| 12 VOLTS BATTERY GROUP. | |
| CREATION : 29/08/23 | ASSEMBLY : 33-57-0057 |
| REVISION : 22/01/24 | AUTHOR : D. CHASSÉ |

33-57-0057

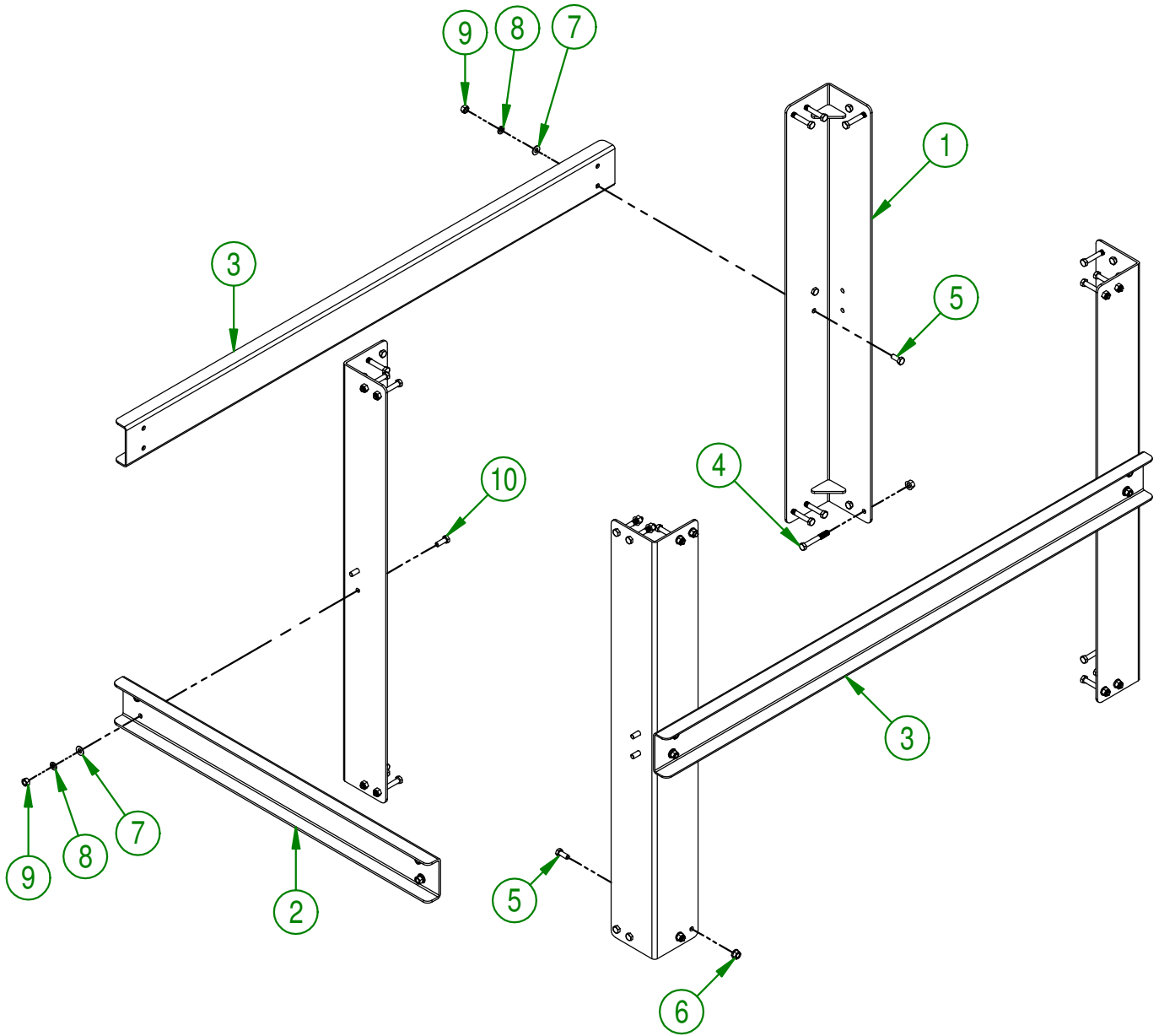
| # | PART # | Qty | TITLE |
|----|--------------|-----|---------------------------------------|
| 1 | NC01-96-0009 | 2 | NYLON-INSERT LOCKNUT ZINC 1/4-20 |
| 2 | NC01-04-0024 | 2 | CARR. BOLT GR2 ZINC 1/4-20 X 5" |
| 3 | NC01-04-0056 | 2 | CARR. BOLT 5/16-18 X3/4" |
| 4 | 33-01-3015 | 1 | BATTERY STRAPE |
| 5 | NC02-32-0011 | 2 | LOCK WASHER ZINC 5/16" |
| 6 | NC13-12-0017 | 1 | 12 VOLTS GEL BATTERY |
| 7 | NC02-07-0017 | 2 | HEX. NUT 5/16-18 |
| 8 | NC13-80-0267 | 1 | RED PROTECTOR FOR BATTERY POST |
| 9 | NC13-80-0268 | 1 | BLACK PROTECTOR FOR BATTERY POST |
| 10 | NC13-37-0669 | 1 | HOUR METER |
| 11 | 33-57-2400 | 1 | BATTERY SUPPORT PLATE "INCL. STICKER" |
| 12 | NC13-15-0354 | 3 | RED RUBBER BASE MOUNT |
| 13 | 26-03-4800 | 9 | WASHER |
| 14 | NC13-15-0354 | 3 | RED RUBBER BASE MOUNT |
| 15 | 21-01-0950 | 3 | FLAT WASHER 10GA 1.005" DIA X 25/64" |
| 16 | NC01-25-0126 | 3 | HEX. BOLT GR5 ZINC 3/8-16 X 4" |
| 17 | NC02-25-0009 | 3 | WASHER 0.406" I.D. X 0.815 O.D. |
| 18 | NC02-32-0012 | 3 | LOCK WASHER ZINC 3/8" |
| 19 | NC02-07-0018 | 3 | HEX. NUT ZINC 3/8-16 |
| 20 | 33-42-0130 | 3 | BLACK ADHESIVE-BACK STRIP |

| # | PART # | Qty | TITLE |
|---|--------------|-----|------------------------------------|
| 1 | NC13-30-0237 | 1 | PLASTIC TUBE FOR OPERATOR'S MANUAL |
| 2 | NC02-25-0007 | 3 | WASHER ZINC 0.281 = 9/32 |
| 3 | NC01-17-0004 | 3 | HEX. BOLT GR2 ZINC 1/4-20 X 3/4" |
| 4 | 36-01-2430 | 3 | WASHER |
| 5 | NC01-96-0009 | 3 | NYLON-INSERT LOCKNUT ZINC 1/4-20 |
| 6 | 33-98-0530 | 1 | OPERATOR MANUAL TB 380 |



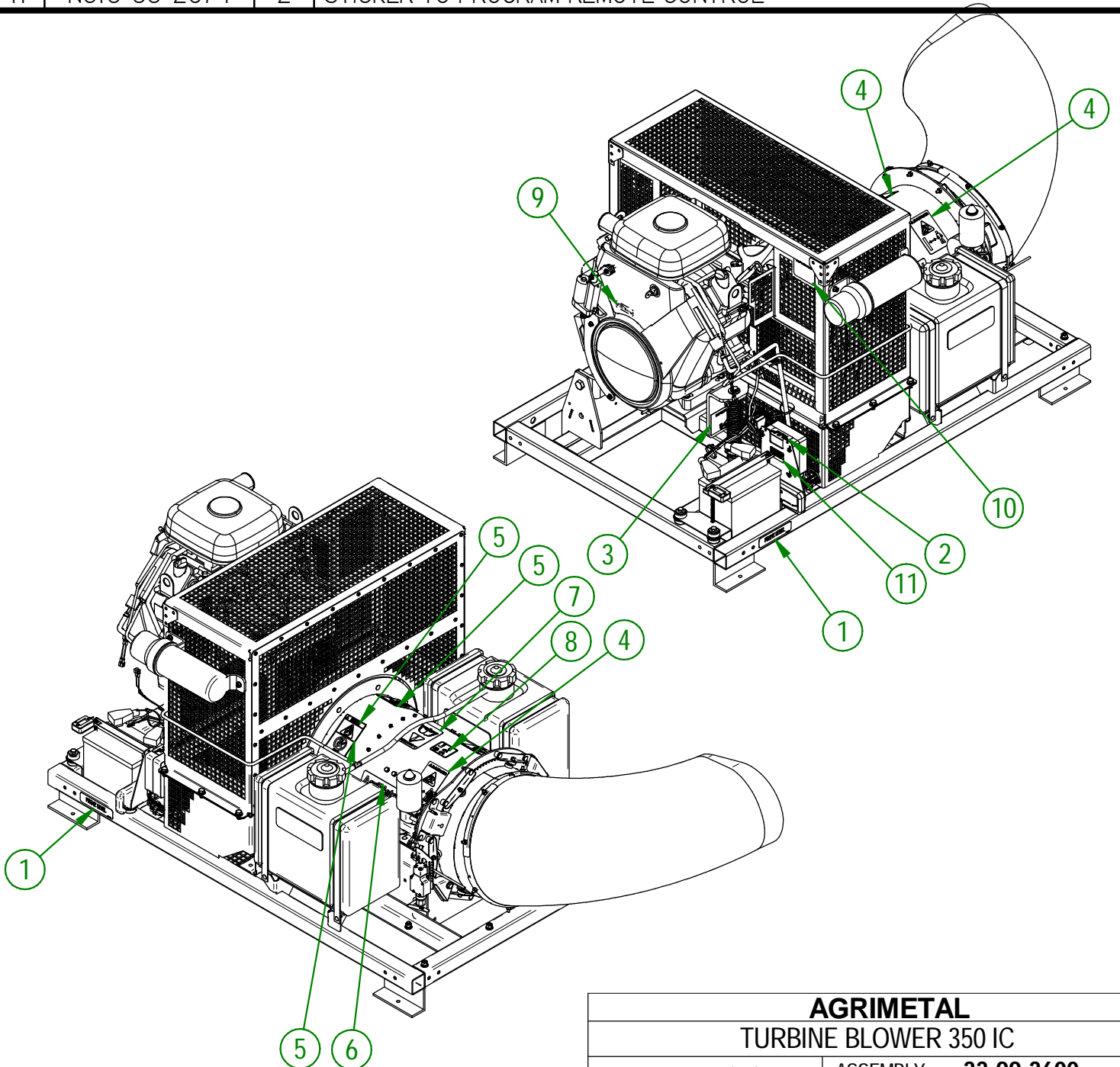
| | |
|--------------------------------------|----------------------------------|
| AGRIMETAL | |
| ASSEMBLY OPERATOR MANUEL TUBE | |
| CREATION : 09/11/17 | ASSEMBLY : 33-57-0565 |
| REVISION : 10/10/18 | AUTHOR : J.KABWE Page 18 de 20 |

| # | PART # | Qty | TITLE |
|----|--------------|-----|------------------------------------|
| 1 | 33-50-0005 | 4 | FRAME SUPPORT |
| 2 | 33-04-0130 | 1 | SUPPORT REINFORCING |
| 3 | 33-01-7620 | 2 | SUPPORT REINFORCING |
| 4 | NC01-17-0121 | 24 | HEX. BOLT GR2 ZINC 3/8-16 X 2 1/2" |
| 5 | NC01-17-0113 | 16 | HEX. BOLT GR2 ZINC 3/8-16 X 7/8" |
| 6 | NC02-14-0019 | 32 | FLANGE NUT HEX. NC 3/8-16 GR. B |
| 7 | 01-01-2485 | 12 | FLAT WASHER |
| 8 | NC02-32-0012 | 12 | LOCK WASHER ZINC 3/8" |
| 9 | NC02-07-0018 | 12 | HEX. NUT ZINC 3/8-16 |
| 10 | NC01-17-0114 | 4 | HEX. BOLT GR2 ZINC 3/8-16 X 1" |



| | |
|----------------------------|--------------------------------|
| AGRIMETAL | |
| (OP.) FRAME SUPPORT GROUP. | |
| CREATION : 28/11/17 | ASSEMBLY : 33-57-3505 |
| REVISION : 08/01/18 | AUTHOR : J.KABWE Page 19 de 20 |

| # | PART # | Qty | TITLE |
|----|--------------|-----|---|
| 1 | NCI3-33-0052 | 2 | STICKER FRAME LEVEL |
| 2 | NCI3-33-0227 | 1 | STICKER FUSE 15 AMP MAXIMUM |
| 3 | NCI3-33-0266 | 1 | STICKER IMPORT 6" 152 MM |
| 4 | NCI3-33-0192 | 2 | STICKER (PROJECTION RISK) |
| 5 | NCI3-33-0185 | 2 | STICKER PICTOGRAM (FIRE + CIGARETTE) |
| 6 | NCI3-33-0002 | 2 | STICKER AGRIMETAL |
| 7 | NCI3-33-0183 | 1 | STICKER CAUTION OPERATION MANUAL |
| 8 | NCI3-33-0342 | 1 | STICKER 99 DB |
| 9 | NCI3-33-0024 | 1 | STICKER GREASE HERE |
| 10 | NCI3-33-0178 | 1 | STICKER IMPORTANT PLEASE CHECK OIL LEVEL... |
| 11 | NCI3-33-2674 | 2 | STICKER TO PROGRAM REMOTE CONTROL |

**AGRIMETAL****TURBINE BLOWER 350 IC**

CREATION : 26/10/23
 REVISION : 31/10/23

ASSEMBLY : **33-99-3600**
 AUTHOR : D. CHASSÉ