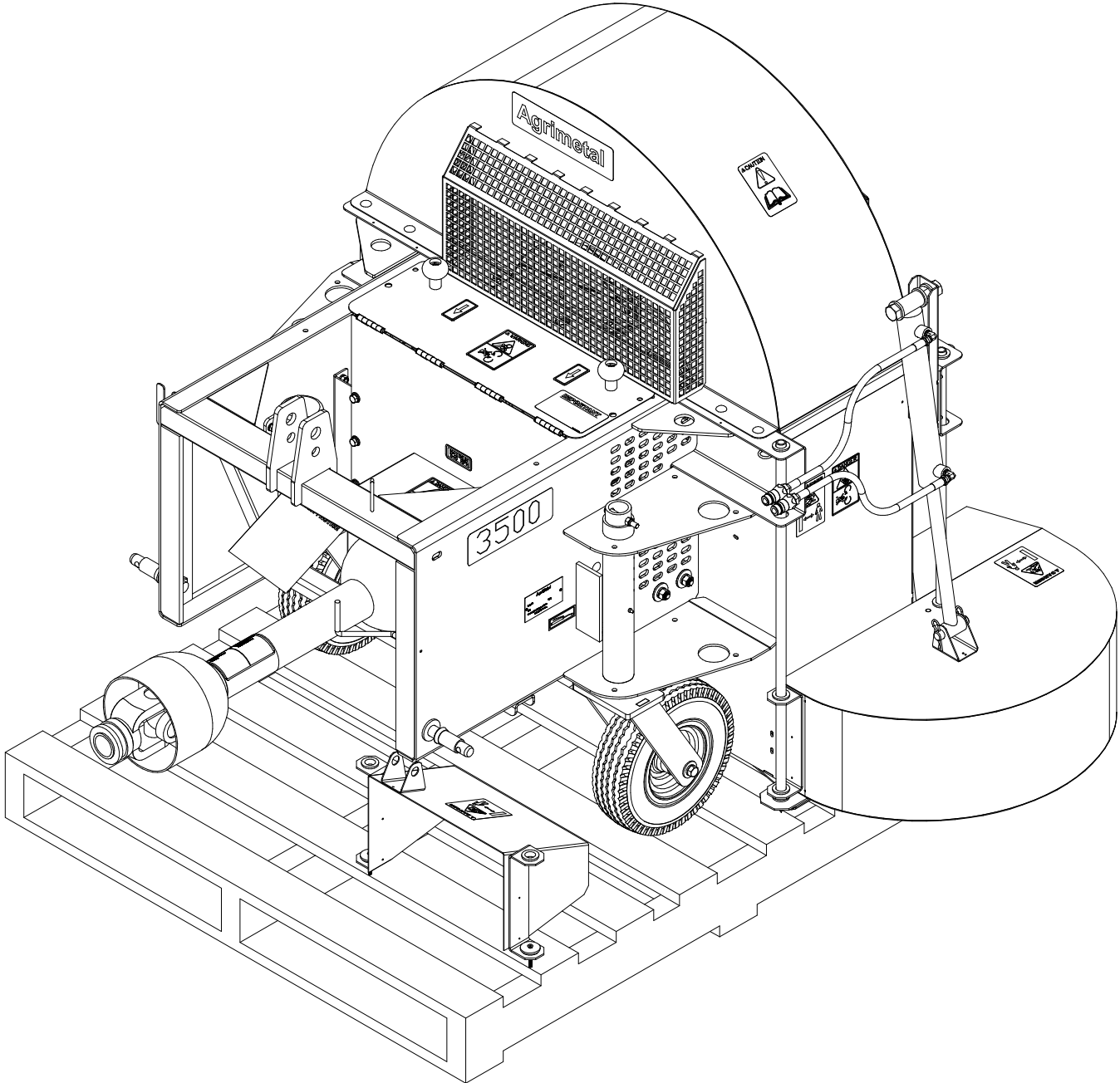


# AgriMetal

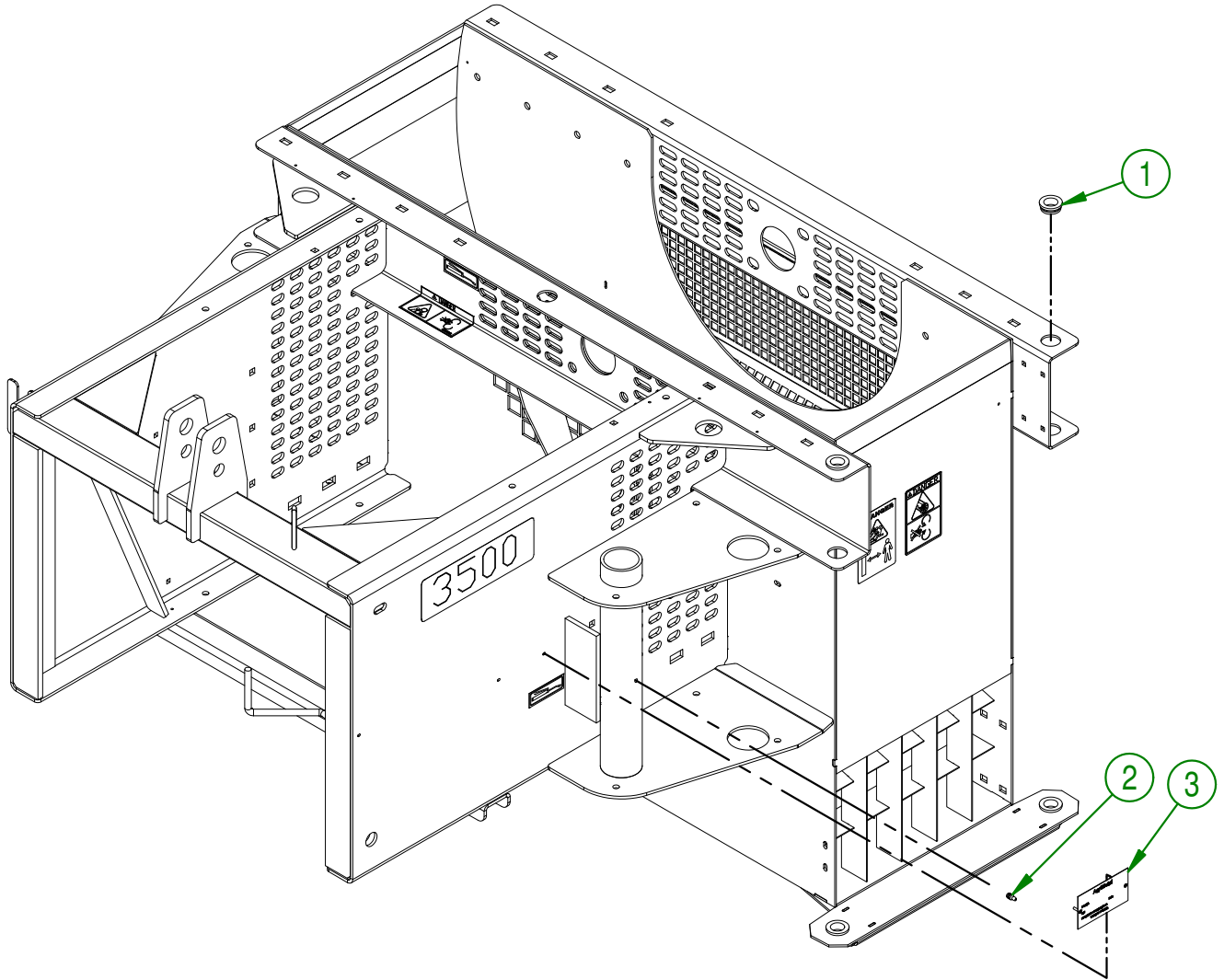
## PARTS LIST



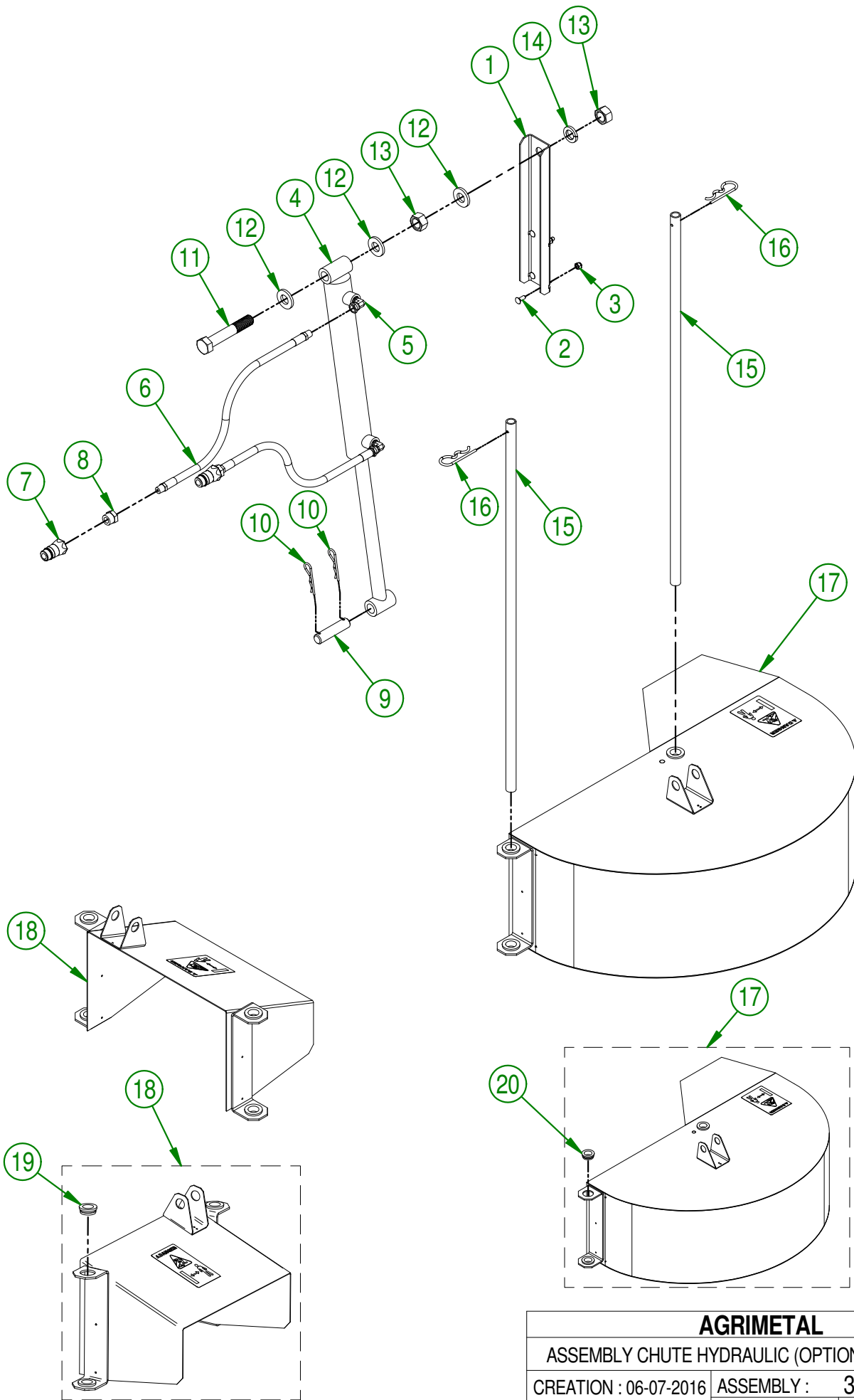
**BW 3500 TP (WHEELS)**

32-57-1500

#	PART #	Qty	TITLE
1	NCI7-46-0023	4	BUSHING 0.810" ID X 1.310" OD X 0.460"
2	NC01-69-0785	2	STRAIGHT GREASE FITTING 1/4-28
3	25-55-0710	1	SERIAL NUMBER PLATE



<b>AGRIMETAL</b>		
<b>ASSEMBLY CASING</b>		
CREATION : 20-06-2016	ASSEMBLY :	32-57-1500
REVISION : 19-09-2018	AUTHOR :	Page 1 de 15



<b>AGRIMETAL</b>		
ASSEMBLY CHUTE HYDRAULIC (OPTION)		
CREATION : 06-07-2016	ASSEMBLY :	32-57-1090
REVISION : 06-03-2019	AUTHOR :	Page 2 de 15

## 32-57-1090

#	PART #	QTY	TITLE
1	32-01-7550	1	CYLINDER BRACKET
2	NC01-04-0002	4	CARR. BOLT GR2 ZINC 1/4-20 X 5/8"
3	NC01-96-0009	4	NYLON-INSERT LOCKNUT ZINC 1/4-20
4	NC13-45-0148	1	HYDRAULIC CYL. 2" OD X 1" ROD X 18" OPEN X 10" TRAVEL
5	NC13-45-0026	2	90° Elbow - 7/16-20 MALE SAE 4 O-RINGS X 1/4 FEM.
6	NC17-02-0319	2	HYD. PIPE BOYAU HYD. 1/4" X 84 " CUT 1/4 NPT MALE RIG. X 1/4 NPT MALE RIG.
7	NC13-45-0014	2	QUICK COUPLER 1/2-14 NPTF
8	NC13-45-0153	2	HEX. REDUCER 1/4 NPT X 1/2 NPT
9	32-21-0015	1	CYLINDER PIN
10	NC01-63-0015	2	COTTER PIN Z 1/8" X 2 5/8"
11	NC01-17-0478	1	BOLT HEX. GR2 ZINC 3/4-10 X 4 1/2"
12	22-04-6805	3	FLAT WASHER BEARING BASE
13	NC02-07-0023	2	HEX. NUT ZINC 3/4-10
14	NC02-32-0017	1	LOCK WASHER ZINC 3/4"
15	32-11-2500	2	CHUTE GUIDE
16	NC01-63-0026	2	COTTER PIN ZC 5/32" X 3"
17	32-55-1075	1	ASSEMBLY LARGE CHUTE
18	32-55-1080	1	ASSEMBLY SMALL CHUTE

## 32-55-1080

#	PART #	QTY	TITLE
19	NC17-46-0023	4	BUSHING 0.810" ID X 1.310" OD X 0.460"

## 32-55-1075

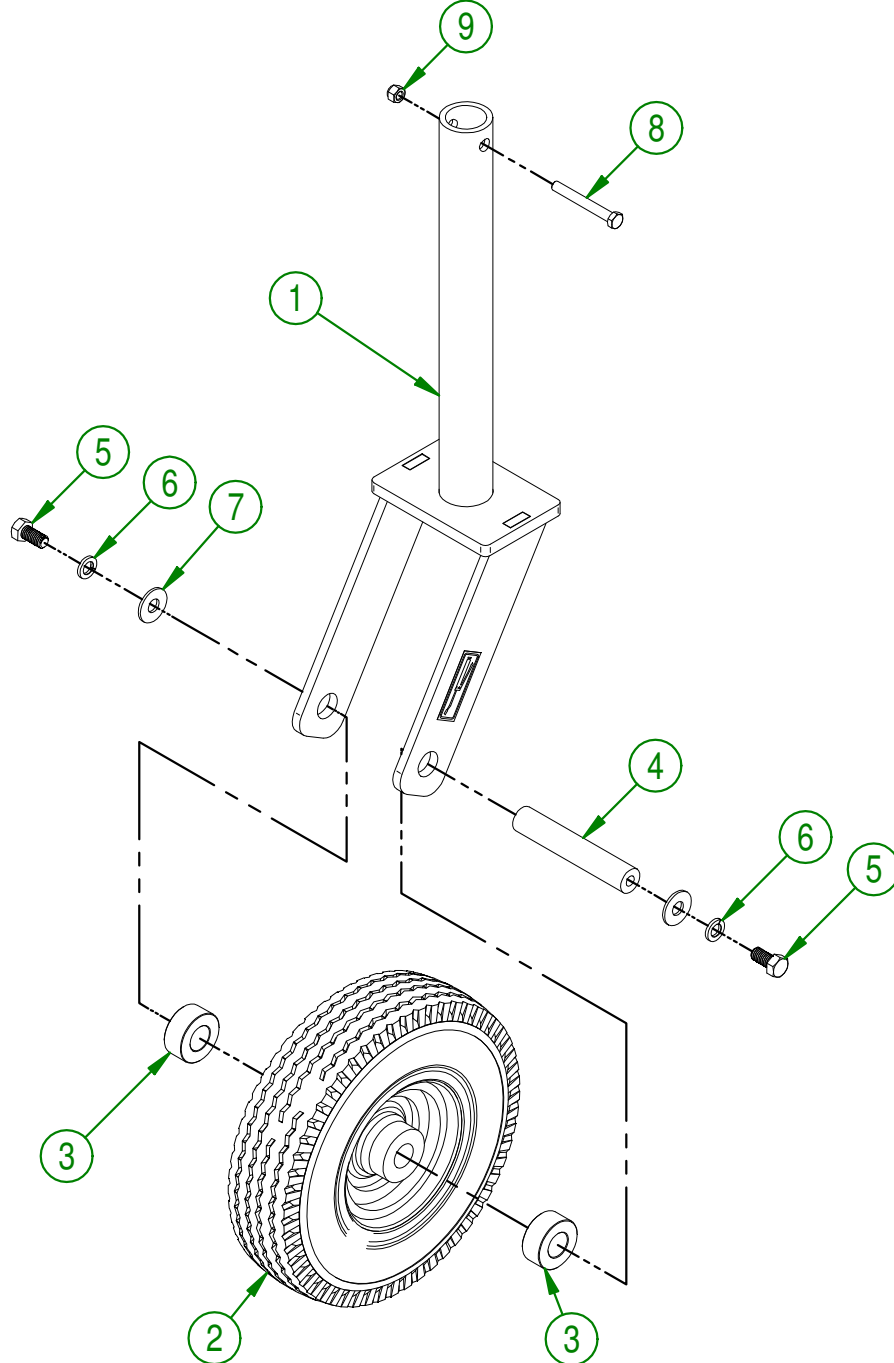
#	PART #	QTY	TITLE
20	NC17-46-0023	4	BUSHING 0.810" ID X 1.310" OD X 0.460"

**AGRIMETAL**

ASSEMBLY CHUTE HYDRAULIC (OPTION)

CREATION : 06-07-2016	ASSEMBLY :	32-57-1090
REVISION : 06-03-2019	AUTHOR :	Page 3 de 15

#	PART #	Qty	TITLE
1	32-57-1510	1	ASSEMBLY PIVOT WHEEL SUPPORT
2	NC14-70-0024	1	WHEEL 12"
3	04-42-0135	2	WHEELS BUSHING
4	12-13-1405	1	AXEL PIVOT WHEEL
5	NC01-17-0247	2	BOLT HEX. GR2 ZINC 1/2-13 X 1"
6	NC02-32-0014	2	LOCK WASHER ZINC 1/2"
7	NC02-22-0012	2	WASHER ZINC 1/2 BOLT = 9/16"Ø X 1 3/8" OD
8	NC01-17-0122	1	HEX. BOLT GR2 ZINC 3/8-16 X 3"
9	NC01-96-0011	1	NYLON NUT 3/8-16



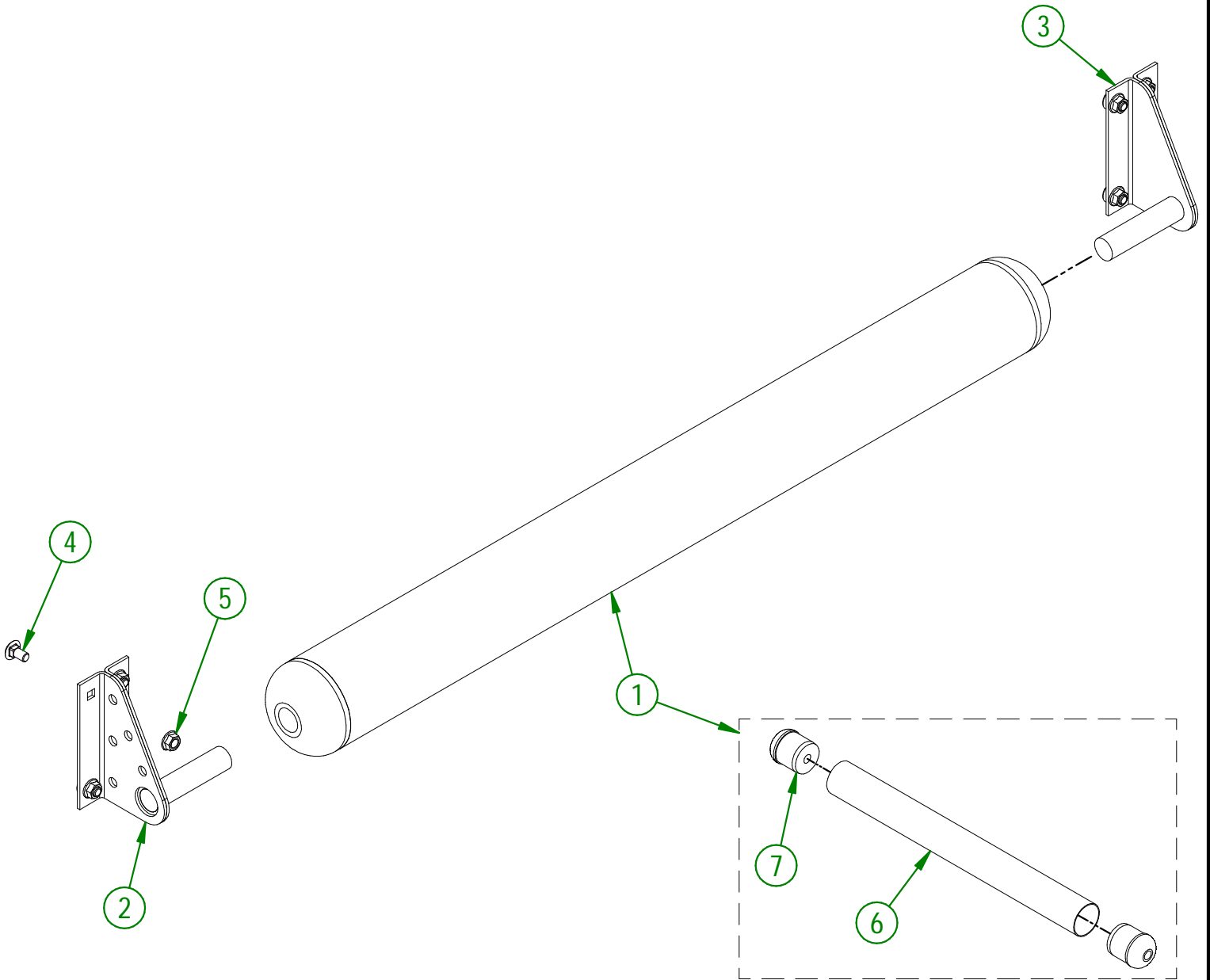
<b>AGRIMETAL</b>	
ASSEMBLY WHEEL AND SUPPORT	
CREATION : 2016-06-20	ASSEMBLY : 32-57-1505
REVISION : 2018-01-04	AUTHOR : Page 4 de 15

32-57-1030

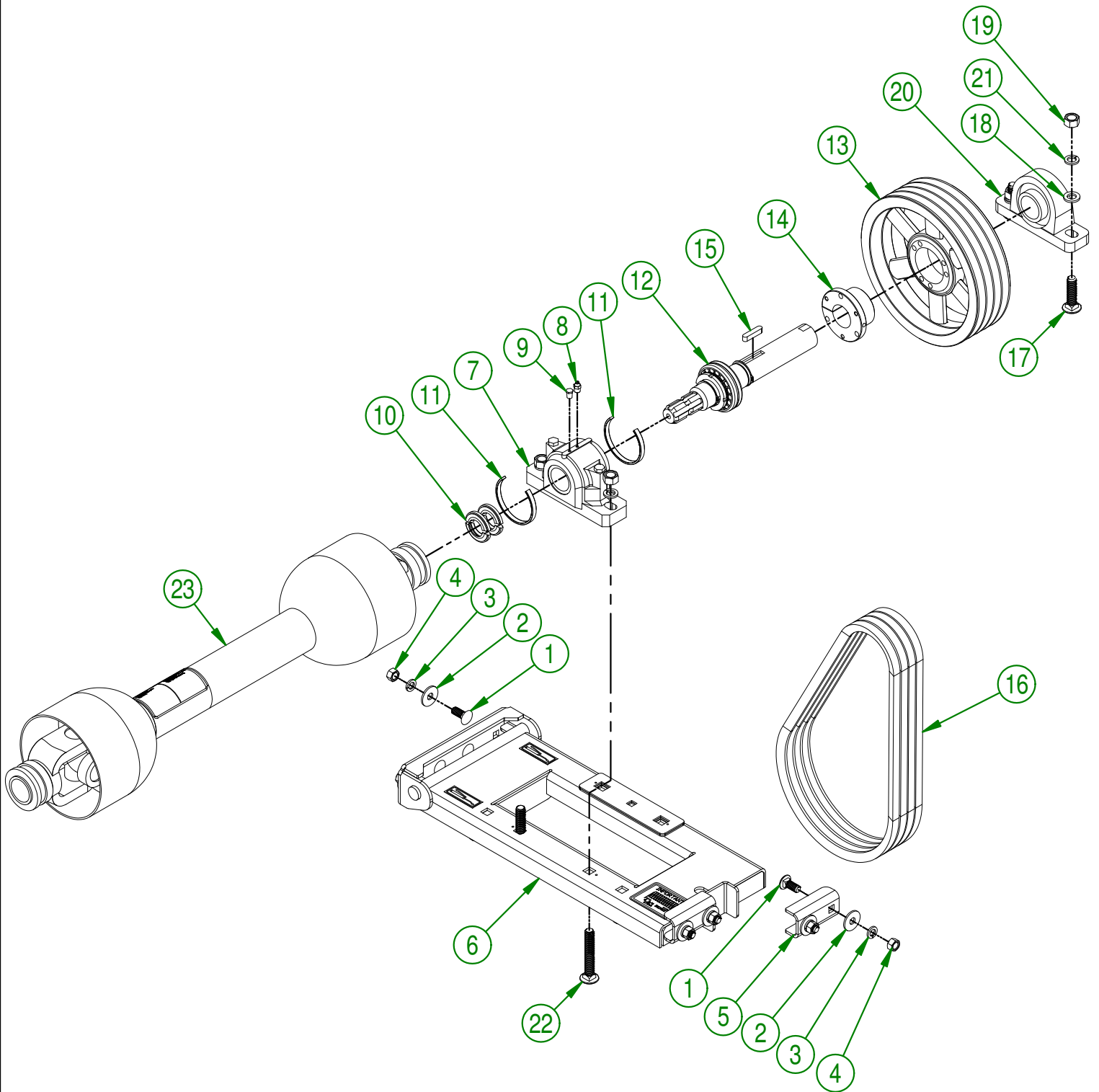
#	PART #	Qty	TITLE
1	32-55-1070	1	ASSEMBLY TURF ROLLER (REAR)
2	32-50-1055	1	LEFT SMALL TURF ROLLER SUPPORT
3	32-50-1060	1	RIGHT SMALL TURF ROLLER SUPPORT
4	NC01-04-0107	8	CARR. BOLT GR2 ZINC 3/8-16 X 3/4"
5	NC02-14-0019	8	FLANGE NUT HEX. NC 3/8-16 GR. B

32-55-1070

#	PART #	Qty	TITLE
6	32-11-3510	1	TURF ROLLER ONLY (REAR)
7	32-42-0105	2	REAR ROLL CAP



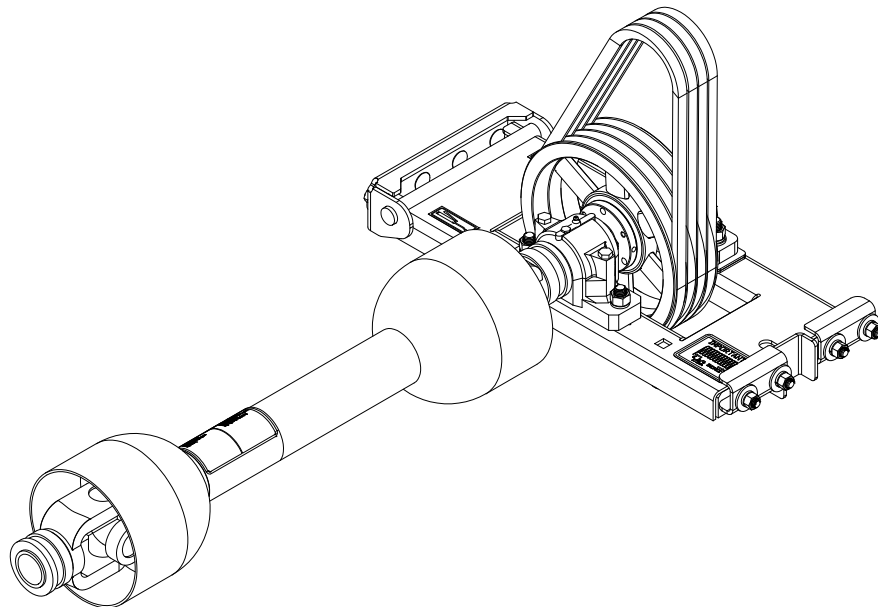
<b>AGRIMETAL</b>	
<b>ASSEMBLY TURF ROLLER GROUP.</b>	
CREATION : 2016-06-17	ASSEMBLY : 32-57-1030
REVISION : 2024-02-13	AUTHOR :



<b>AGRIMETAL</b>	
<b>BEARING BASE GROUP</b>	
CREATION : 11-04-2016	ASSEMBLY : 32-57-1045
REVISION : 04-02-2019	AUTHOR : Page 6 de 15

## 32-57-1045

#	PART #	Qty	TITLE
1	NC01-04-0234	8	CARR. BOLT GR2 ZINC 1/2-13 X 1 1/4
2	01-01-1660	8	WASHER SPACER
3	NC02-32-0014	8	LOCK WASHER ZINC 1/2"
4	NC02-07-0020	8	HEX. NUT ZINC 1/2-13
5	32-04-0080	2	STOPPER BEARING BASE
6	32-57-1047	1	BEARING BASE ASSEMBLY
7	NC14-75-0124	1	PILLOW BLOCK BEARING 1 3/4"
8	NC01-69-0791	1	GREASE FITTING 1/8 NPT STRAIGHT
9	NC01-64-0241	1	BRASS PLUG HEX. 1/8 NPT
10	NC14-75-0123	1	SET JOINT 1 3/4"
11	NC14-75-0122	2	BEARING SPACER 1 3/4"
12	32-55-1063	1	ASSEMBLY DRIVE SHAFT
13	NC14-62-0188	1	PULLEY QD 4V1/2-5/8 X 11.35 OD X SK
14	NC14-62-0022	1	QD BUSHING SK 1 3/4"
15	NC01-65-0100	1	KEY 3/8 X 3/8 X 1 3/4"
16	NC14-25-1087	4	V BELT 21/32 COGED RAW EDGE BX-48
17	NC01-04-0270	2	CARR. BOLT GR2 ZINC 5/8 - 11 X 2 1/2"
18	32-01-1395	2	BEARING WHASER Ø 3/4"
19	NC02-07-0022	4	HEX. NUT ZINC 5/8-11
20	32-38-0005	1	BEARING UCP 209-28 Ø 1 3/4"
21	NC02-32-0016	4	LOCK WASHER ZINC 5/8"
22	NC01-04-0276	2	BOLT CARR. GR2 ZINC 5/8-11 X 4"
23	32-34-0030	1	PTO SHAFT

**AGRIMETAL****BEARING BASE GROUP**

CREATION : 11-04-2016

ASSEMBLY :

32-57-1045

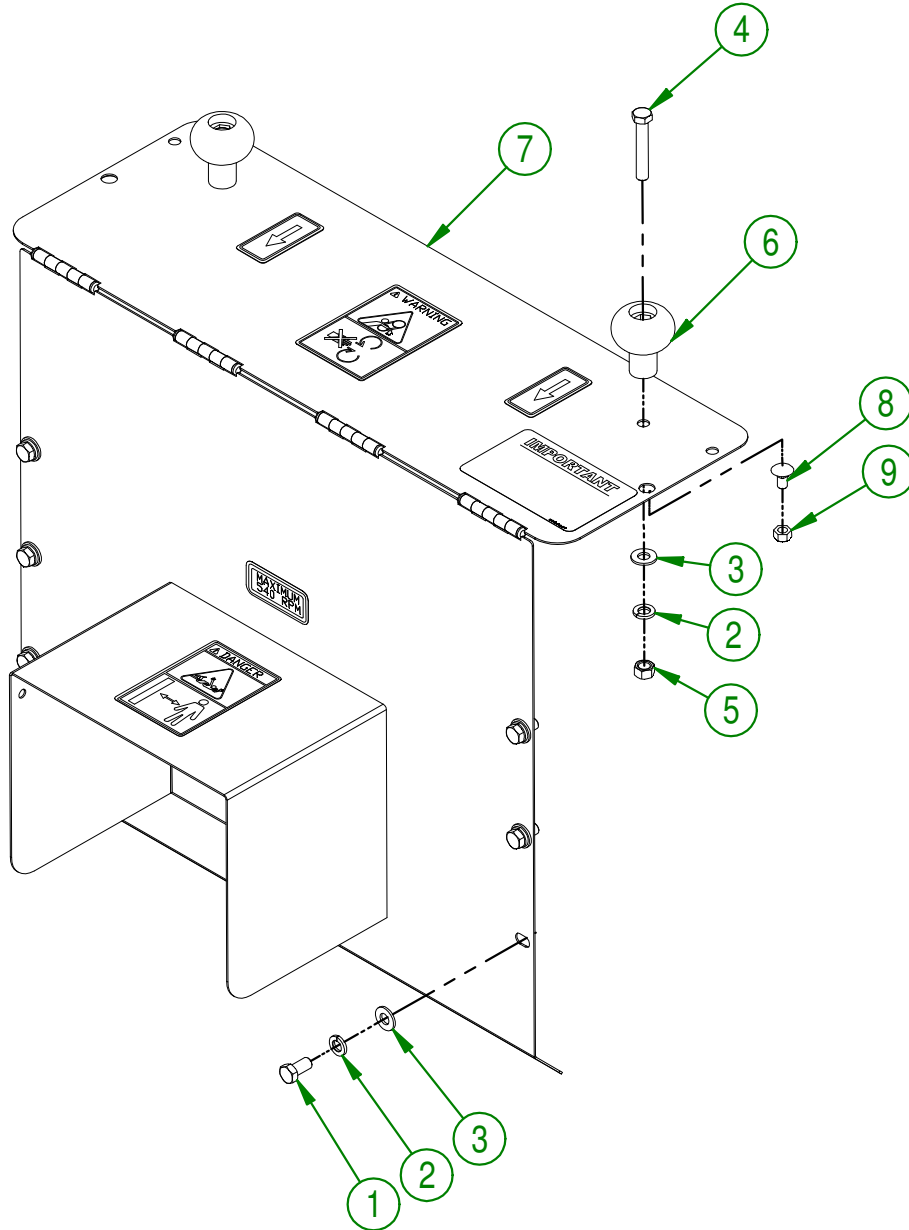
REVISION : 04-02-2019

AUTHOR :

Page 7 de 15

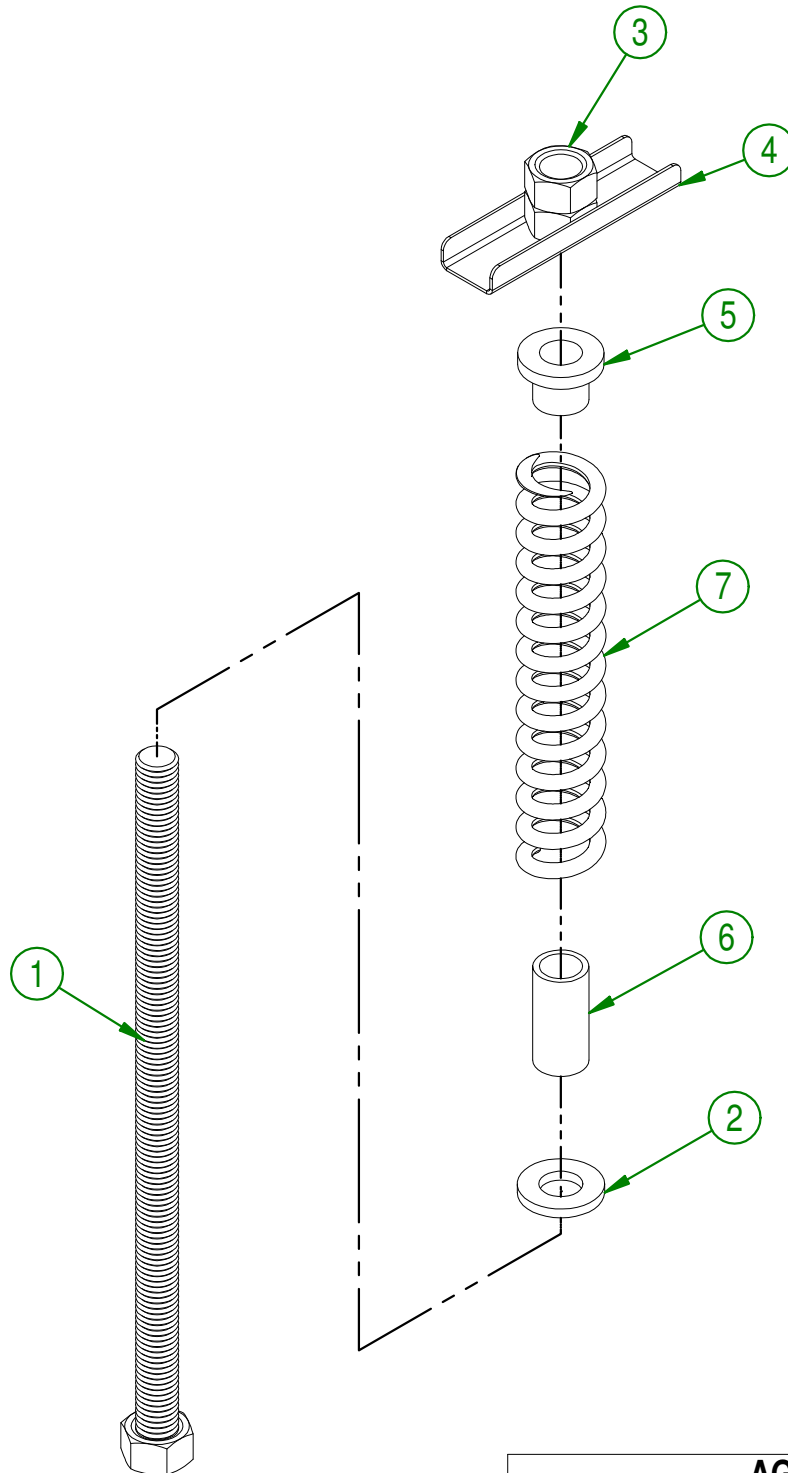


#	PART #	Qty	TITLE
1	NC01-17-0112	6	HEX. BOLT GR2 ZINC 3/8-16 X 3/4"
2	NC02-32-0012	8	LOCK WASHER ZINC 3/8"
3	01-01-2485	8	FLAT WASHER
4	NC01-17-0119	2	HEX. BOLT GR2 ZINC 3/8-16 X 2 1/4"
5	NC02-07-0018	2	HEX. NUT ZINC 3/8-16
6	NC17-46-0018	2	HANDLE KNOB
7	32-57-1050	1	ASSEMBLY BELT GUARD
8	NC01-04-0055	2	CARR. BOLT GR2 ZINC 5/16-18 X 5/8"
9	NC01-96-0010	2	NYLON NUT HEX. ZINC 5/16-18



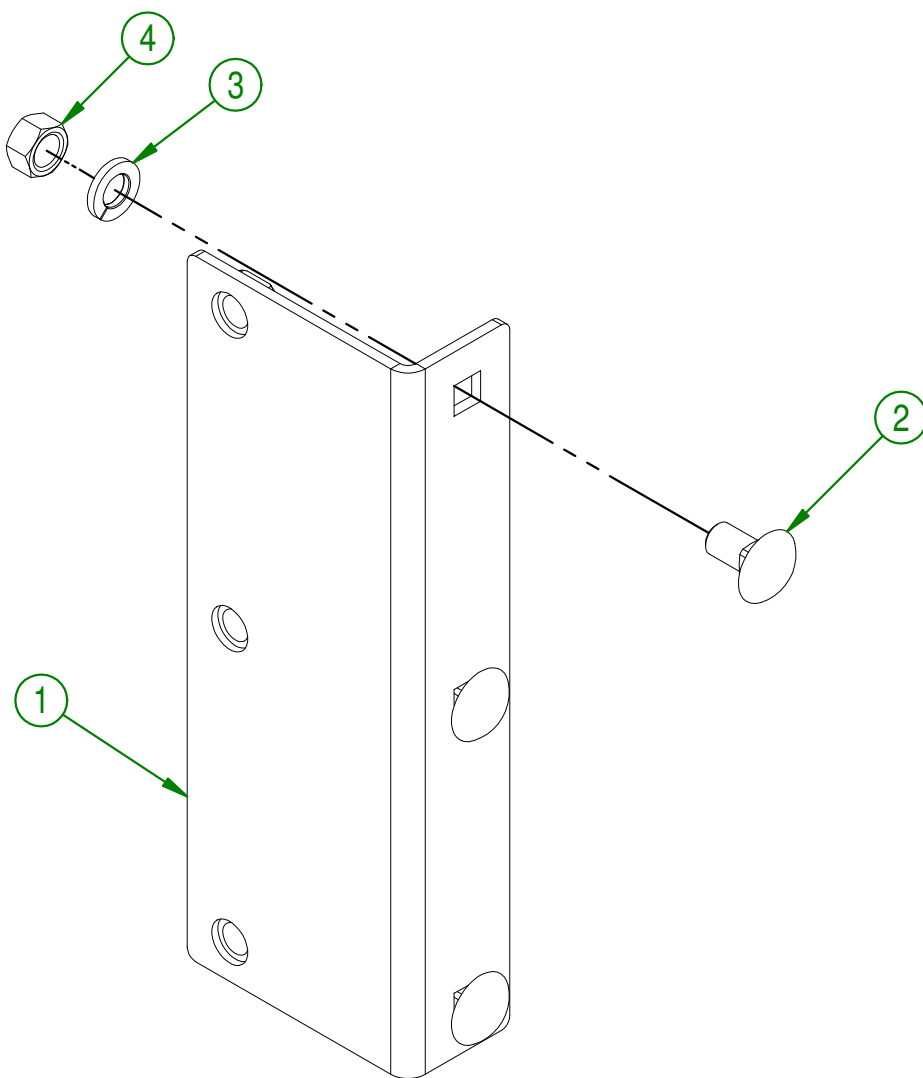
<b>AGRIMETAL</b>		
<b>ASSEMBLY BELT GUARD</b>		
CREATION : 2016-06-17	ASSEMBLY :	32-57-1085
REVISION : 2018-01-08	AUTHOR :	Page 8 de 15

#	# DE PIÈCE	Qty	TITLE
1	32-50-1020	1	TENSIONER THREADED ROD
2	22-04-6805	1	FLAT WASHER BEARING BASE
3	NC02-07-0023	2	HEX. NUT ZINC 3/4-10
4	32-01-3070	1	HANDLE
5	32-42-0125	1	SPRING STOPPER
6	32-42-0100	1	SPRING GUIDE
7	12-44-0015	1	RED SPRING 1 1/2" OD 1" ID X 8 1/2"



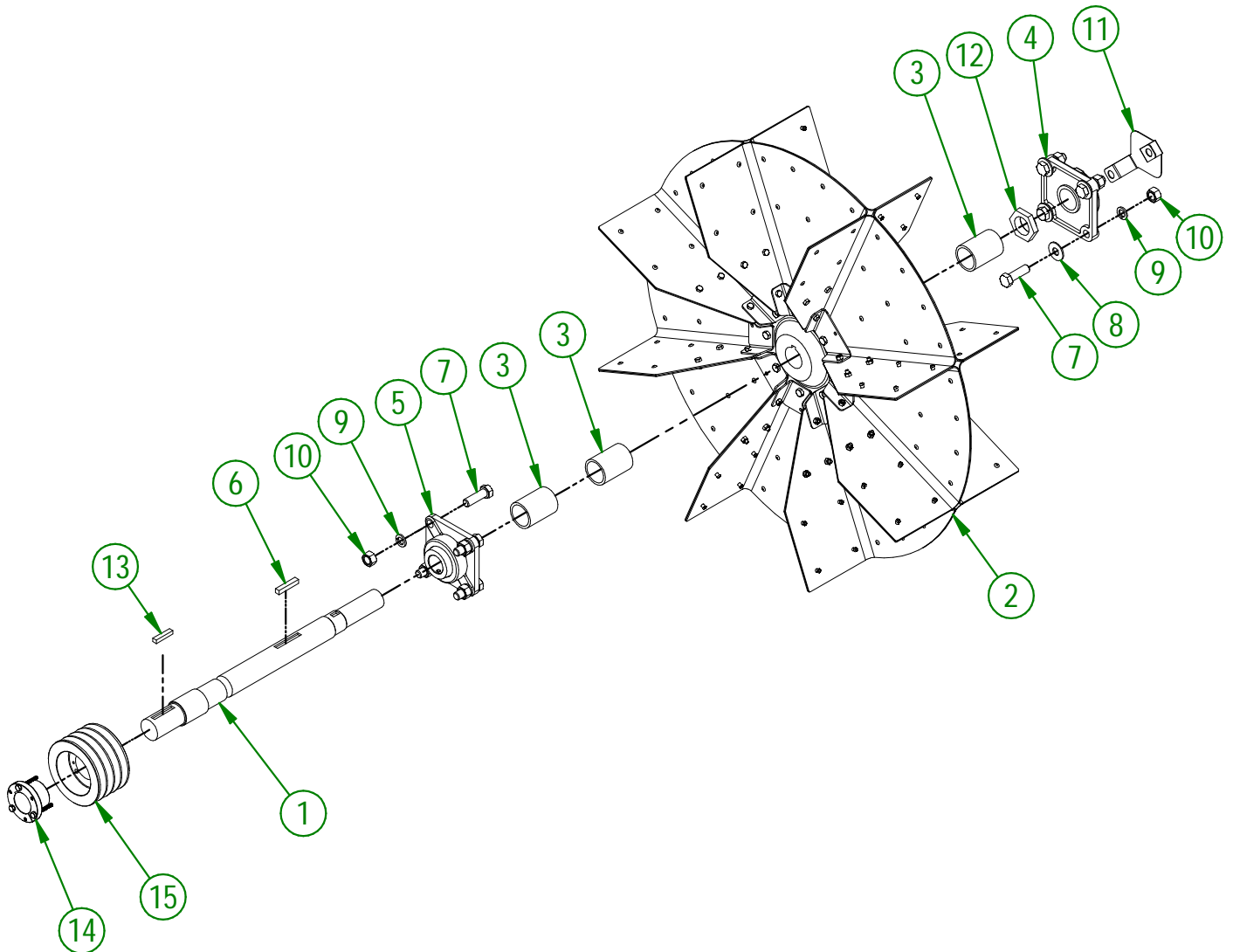
<b>AGRIMETAL</b>	
<b>ASSEMBLY BELT TENSIONER</b>	
CREATION : 2016-06-17	ASSEMBLY : 32-57-1035
REVISION : 2018-01-04	AUTHOR : S.B. Page 9 de 15

#	# DE PIÈCE	Qty	TITLE
1	32-50-1040	2	BELT GUARD BRACKET
2	NC01-04-0107	6	CARR. BOLT GR2 ZINC 3/8-16 X 3/4"
3	NC02-32-0012	6	LOCK WASHER ZINC 3/8"
4	NC02-07-0018	6	HEX. NUT ZINC 3/8-16



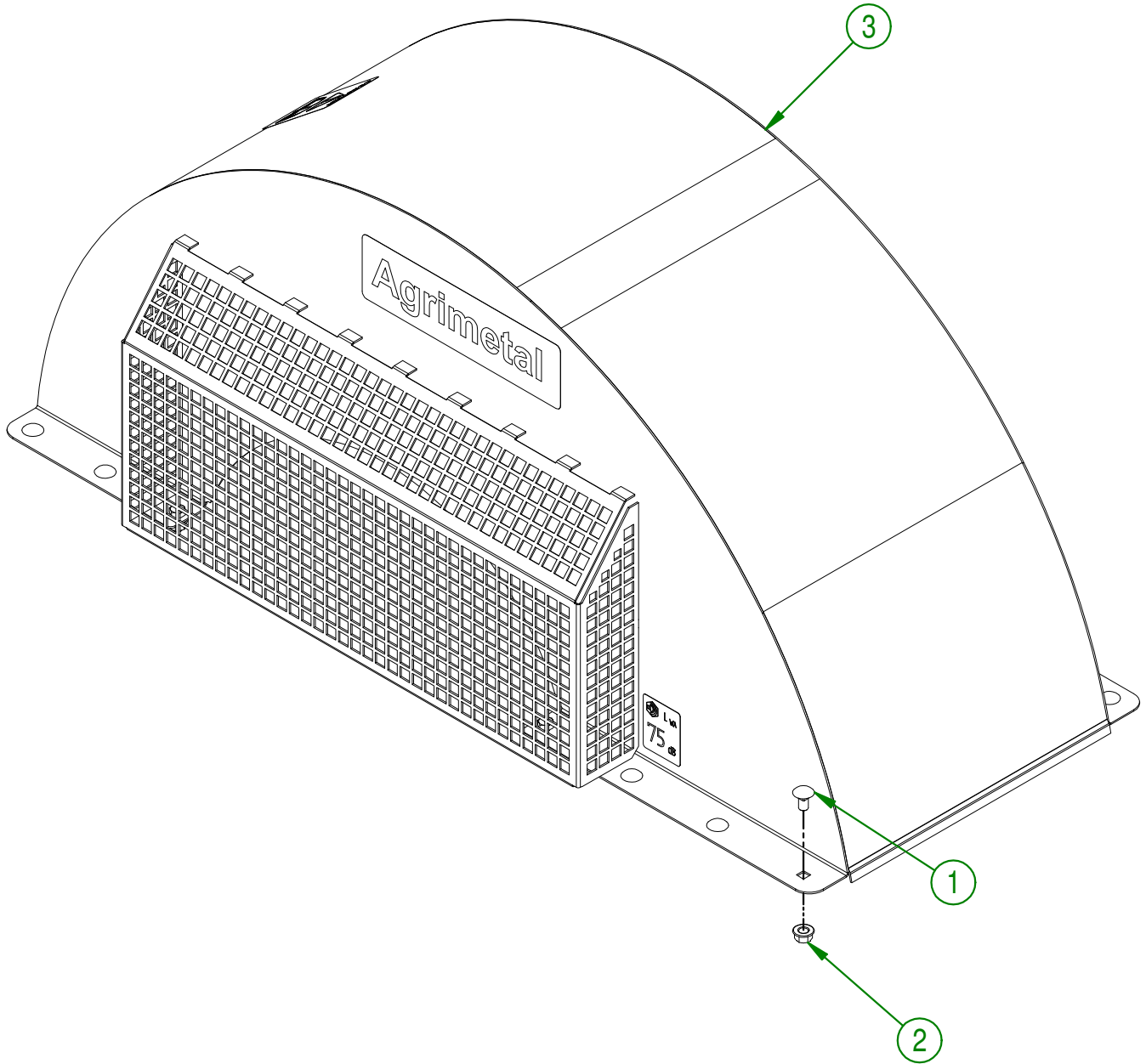
<b>AGRIMETAL</b>			
<b>ASSEMBLY BRACKET BELT GUARD</b>			
CREATION : 2016-06-17	ASSEMBLY :	32-57-1055	
REVISION : 2018-01-04	AUTHOR : S.B.	Page 10 de 15	

#	PART #	Qty	TITLE
1	32-13-2800	1	DRIVE SHAFT PROPELLER
2	32-55-1050	1	PROPELLER
3	32-09-1900	3	POSITION SLEEVE
4	NC14-75-0026	1	FLANGE BEARING 4 HOLES UCF 209-28 X I 3/4"
5	NC14-75-0025	1	FLANGE BEARING 4 HOLES UCF 208-24 X I 1/2"
6	32-41-0900	1	IMPELLER KEY
7	NC01-17-0396	8	HEX. BOLT GR2 ZINC 5/8-11 X 2"
8	NC02-22-0013	4	WASHER ZINC 5/8 ID X I 1/2 OD
9	NC02-32-0016	8	LOCK WASHER ZINC 5/8"
10	NC02-07-0022	8	HEX. NUT ZINC 5/8-11
11	32-03-3610	1	REAR BEARING PROTECTOR
12	NC02-14-0626	1	HEX LOCKNUTS I 5/8"-12
13	NC01-65-0307	1	KEY
14	NC14-62-0008	1	QD BUSHING SD I 3/4"
15	NC14-62-0106	1	PULLEY QD 4V 1/2-5/8 X 5.35 DE X SD



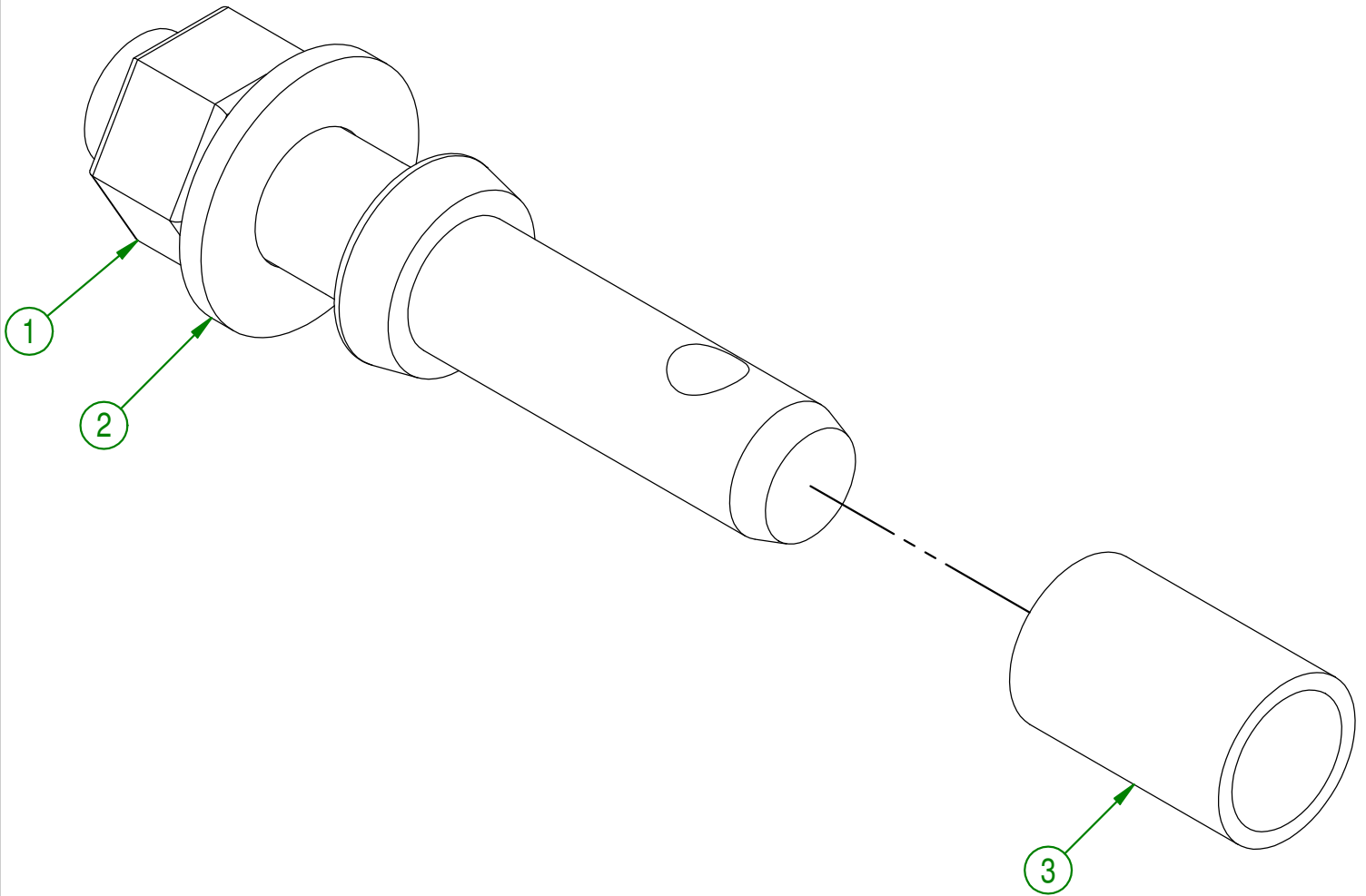
<b>AGRIMETAL</b>	
<b>ASSEMBLY DRIVE SHAFT PROPELLER</b>	
CREATION : 2019-11-13	ASSEMBLY : 32-57-1020
REVISION : 2024-02-16	AUTHOR :

#	# DE PIÈCE	Qty	TITLE
1	NC01-04-0107	10	CARR. BOLT GR2 ZINC 3/8-16 X 3/4"
2	NC02-14-0019	14	FLANGE NUT HEX. NC 3/8-16 GR. B
3	32-57-1005	1	ASSEMBLY CASING COVER



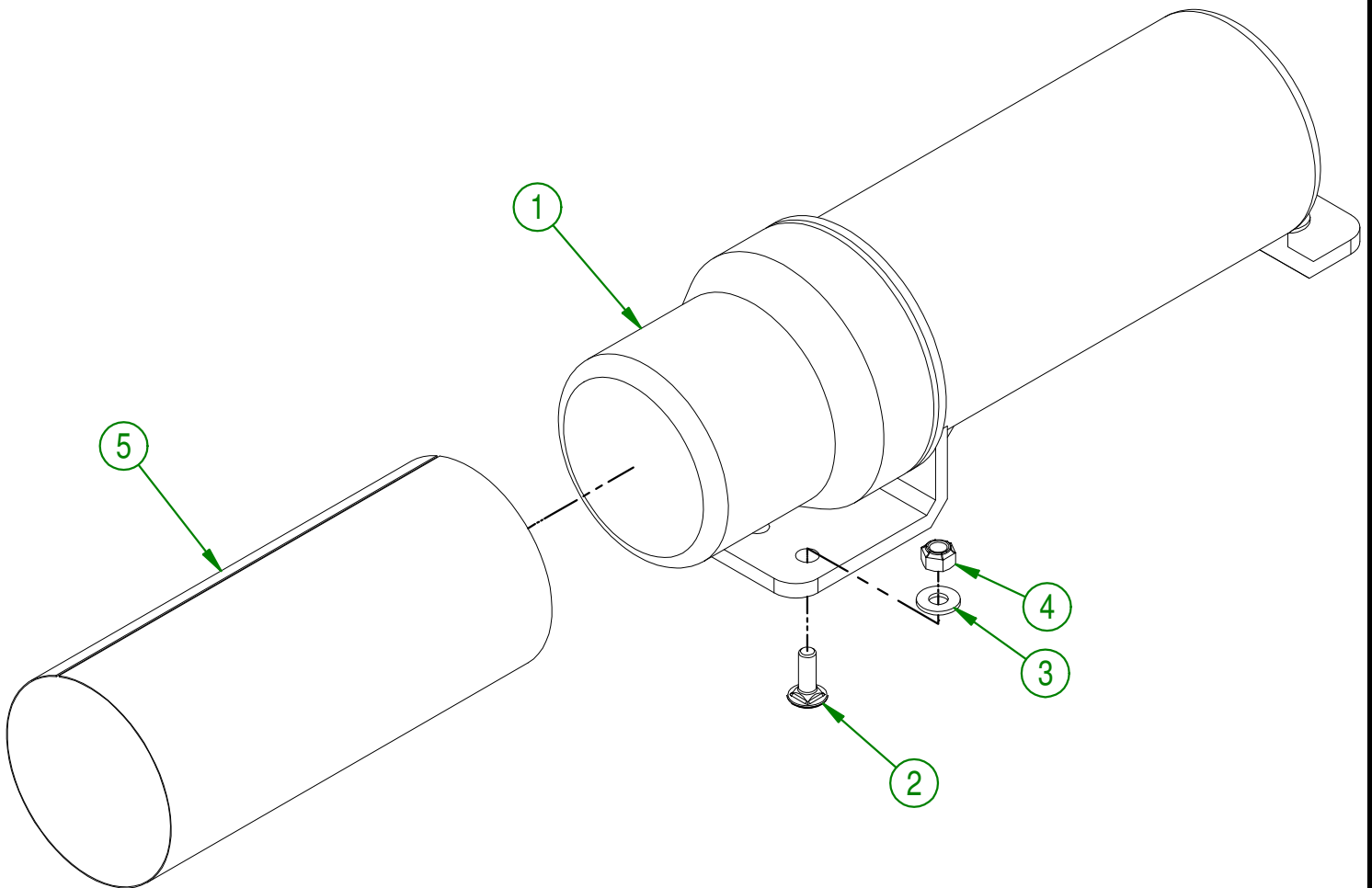
<b>AGRIMETAL</b>			
<b>ASSEMBLY COVER CASING</b>			
CREATION : 2016-06-17	ASSEMBLY :	32-57-1040	
REVISION : 2018-02-16	AUTHOR : S.B.	Page 12 de 15	

#	PART #	Qty	TITLE
1	NC01-78-0002	1	3 POINTS PIN 1/8-14 X 5 1/4"
2	09-04-0050	1	PNO 3/16" X 1 49/64" DIA. X Ø 7/8" FLAT WASHER
3	32-09-2005	1	HITCH CONVERSION BUSHING (CATEGORY 2)



<b>AGRIMETAL</b>	
<b>ASSEMBLY 3 POINTS PIN</b>	
CREATION : 30/11/17	ASSEMBLY : <b>32-57-0096</b>
REVISION : 04/01/18	AUTHOR : F.HÉLIE   Page 13 de 15

#	PART #	Qty	TITLE
1	NC13-30-0237	1	PLASTIC TUBE FOR OPERATOR'S MANUAL
2	NC01-04-0003	3	BOLT CARR. GR2 ZINC 1/4-20 X 3/4"
3	NC02-25-0007	3	WASHER ZINC 0.281 = 9/32
4	NC01-96-0009	3	NYLON-INSERT LOCKNUT ZINC 1/4-20
5	32-98-0626	1	OPERATOR MANUAL BW 2500-3500-4500



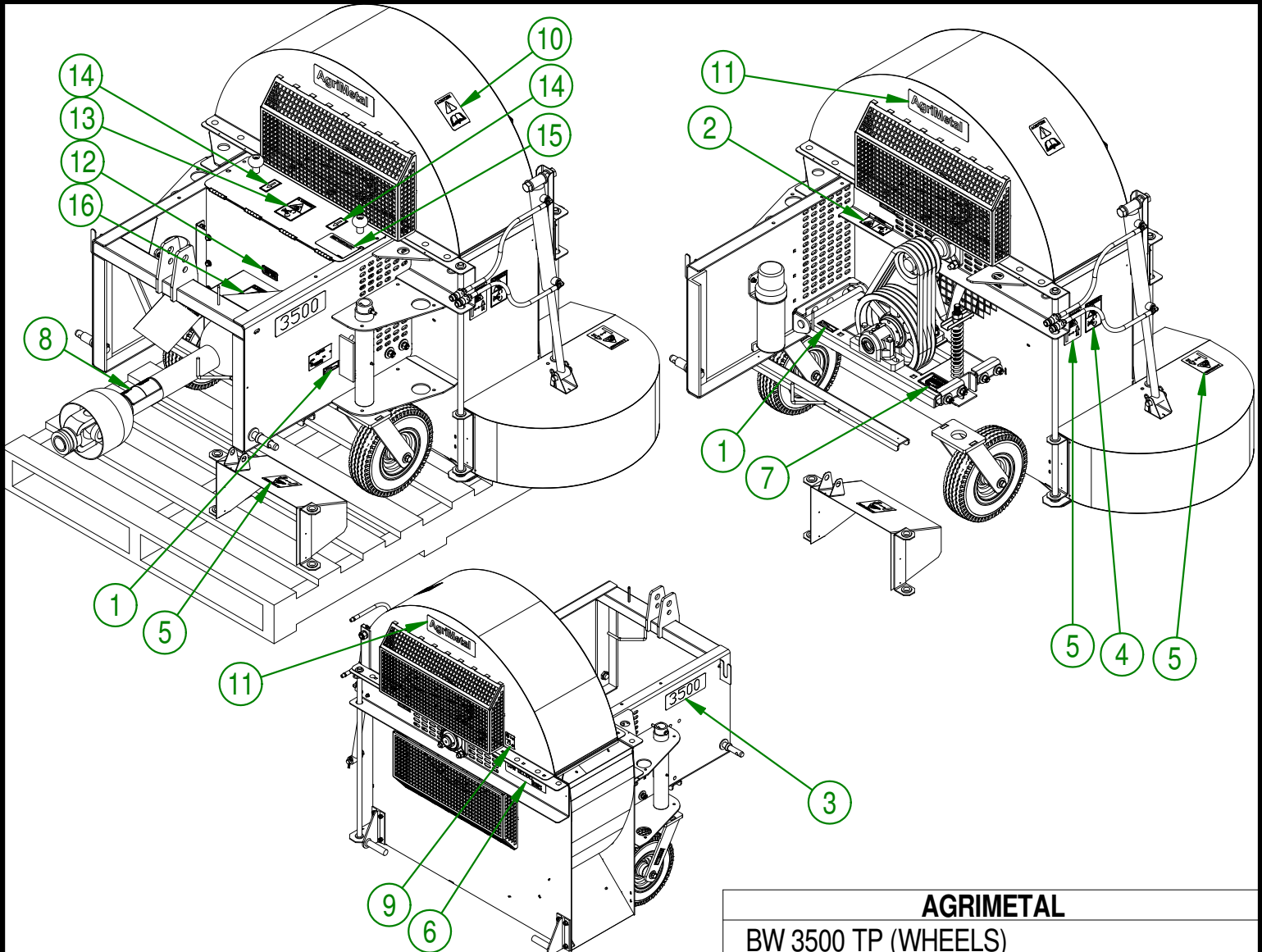
**AGRIMETAL**  
**OPERATOR MANUEL**

CREATION : 13/03/17  
 REVISION : 05/01/18

ASSEMBLY : **32-57-1105**

AUTHOR : F.HÉLIE Page 14 de 15

#	PART #	QTY	TITLE
1	NCI3-33-0024	8	STICKER GREASE HERE
2	NCI3-33-0290	1	STICKER DANGER
3	NCI3-33-0160	2	STICKER 3500
4	NCI3-33-0186	1	STICKER (DANGER)
5	NCI3-33-0192	3	STICKER (PROJECTION RISK)
6	NCI3-33-0163	1	STICKER LOW DECIBEL
7	NCI3-33-0154	1	STICKER IMPORTANT
8	NCI4-85-0276	1	STICKER (DANGER-PLASTIC GUARD)
9	NCI3-33-0305	1	STICKER 75 dB
10	NCI3-33-0183	1	STICKER CAUTION OPERATION MANUAL
11	NCI3-33-0035	2	STICKER AGRIMETAL
12	NCI3-33-0005	1	STICKER MAXIMUM 540 RPM
13	NCI3-33-0287	1	STICKER WARNING
14	NCI3-33-0298	2	STICKER PULL THIS WAY TO OPEN
15	NCI3-33-0179	1	STICKER IMPORTANT GREASE DRIVE LINE
16	NCI3-33-0187	1	STICKER DANGER (PTO AND PERSON)

**AGRIMETAL****BW 3500 TP (WHEELS)**

CREATION : 06-07-2016

ASSEMBLY :

32-99-0505

REVISION : 04-02-2019

AUTHOR :

Page 15 de 15