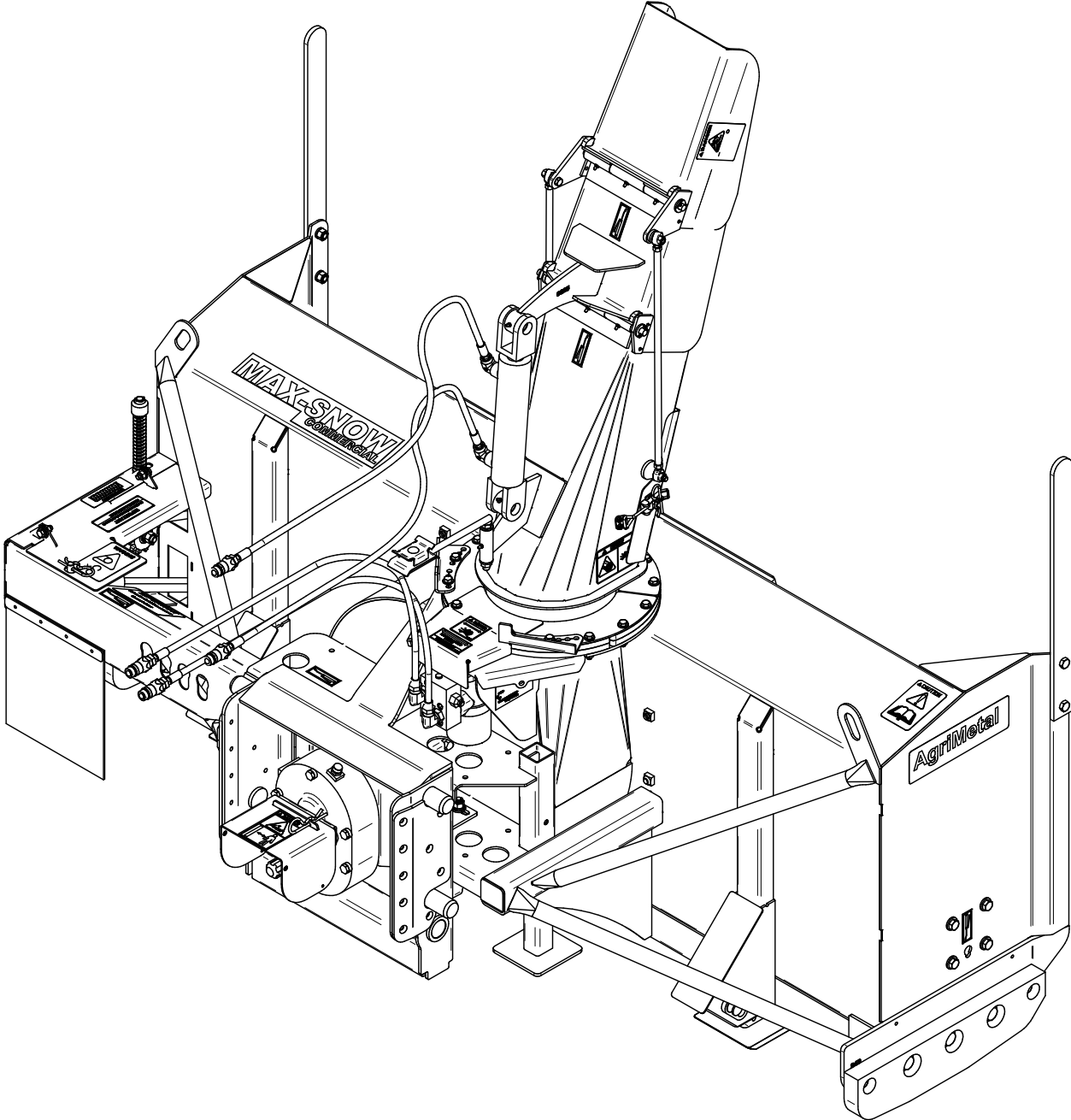


# AgriMetal

## PARTS LIST



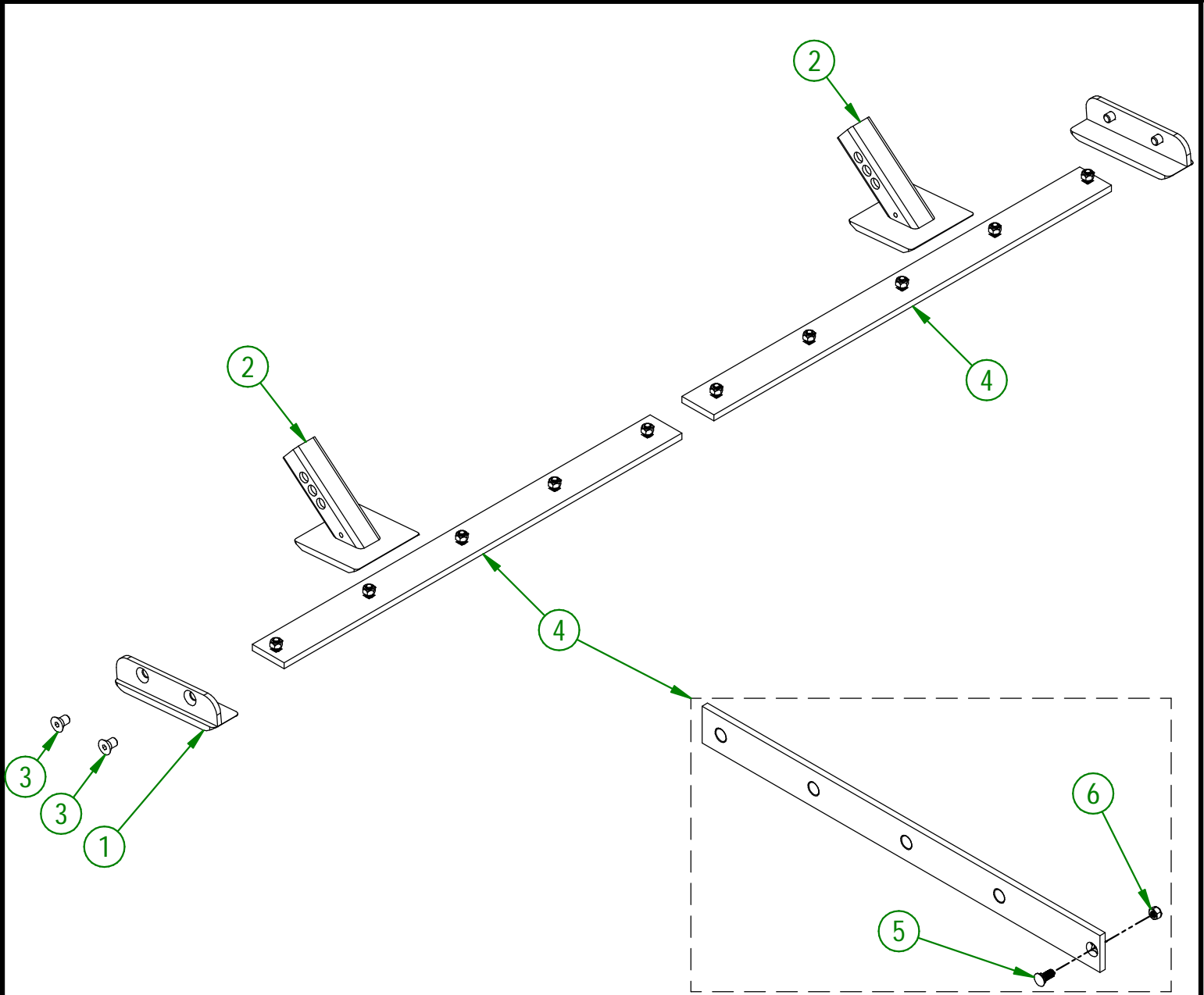
**MS 2480-FK**

82-57-1200

| # | PART #       | Qty | TITLE   |
|---|--------------|-----|---|
| 1 | 80-50-0085   | 2   | LATERAL SKATE (#450 HARDNESS STEEL)                         |
| 2 | 80-50-0055   | 2   | ADJUSTABLE SKATE (STEEL)                                    |
| 3 | NC02-48-0586 | 4   | FLAT HEAD SOCKET CAP SCREW 5/8-11 X 1" LG                   |
| 4 | 82-57-0060   | 2   | KNIFE (#450 HARDNESS STEEL) GROUP (BOLTS AND NUTS INCLUDED) |

82-57-0060

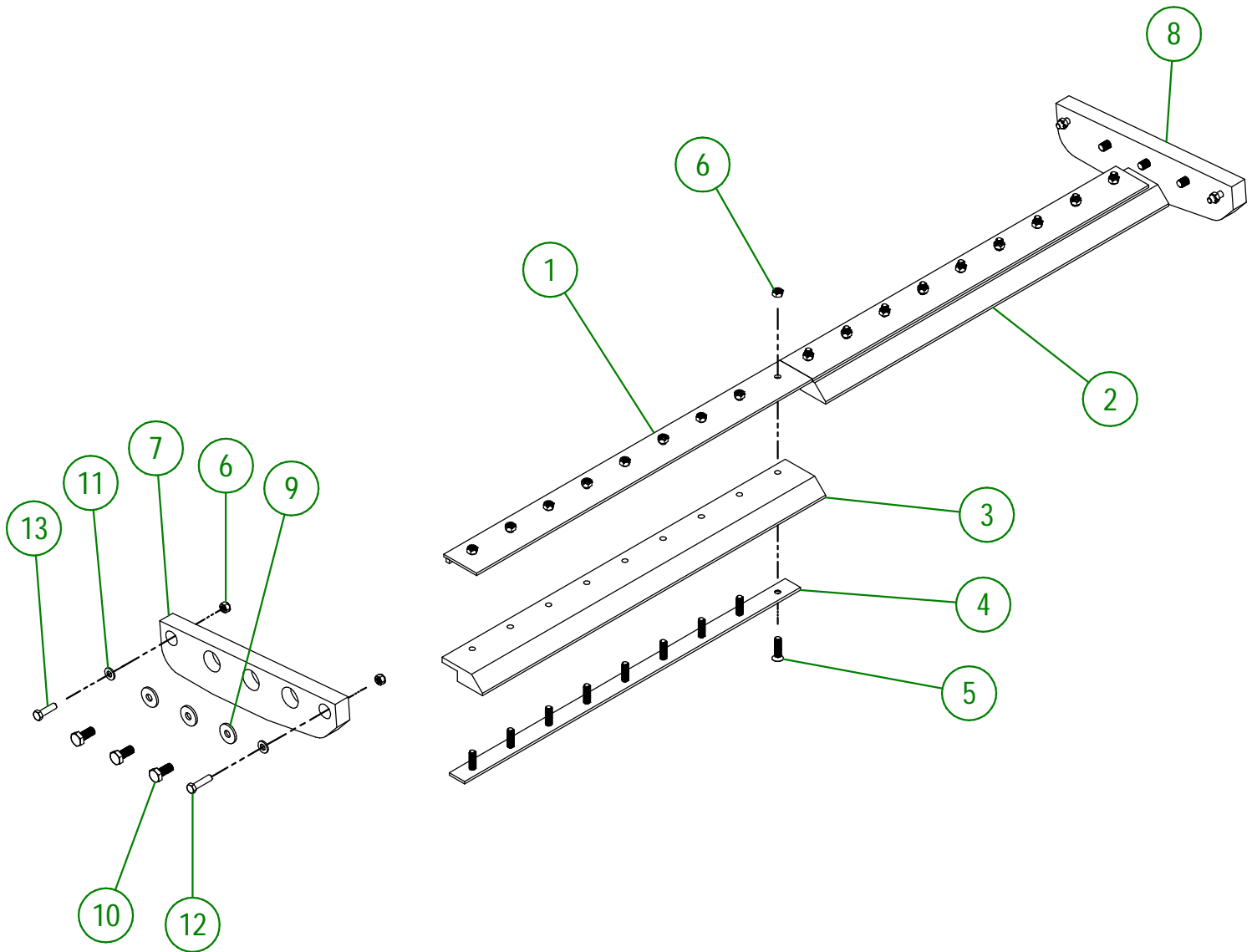
| # | PART #       | Qty | TITLE                            |
|---|--------------|-----|----------------------------------|
| 5 | NC01-09-0029 | 5   | PLOW BOLT GR5 1/2-13 X 1 1/4" LG |
| 6 | NC01-93-0014 | 5   | LOCK NUT ZINC 1/2-13             |



|  |                              |
|--|------------------------------|
| <b>AGRIMETAL</b>                           |                              |
| <b>SET OF KNIVES (#450 HARDNESS STEEL)</b> |                              |
| CREATION : 19/07/16                        | ASSEMBLY : <b>82-57-1200</b> |
| REVISION : 26/09/23                        | AUTHOR : Dessin2             |

82-57-1205

| #  | PART #       | Qty | TITLE  |
|----|--------------|-----|--|
| 1  | 82-50-1200   | 2   | KNIFE BRACE (TOP)                                |
| 2  | 82-42-0105   | 1   | RIGHT KNIFE (UHMW)                               |
| 3  | 82-42-0106   | 1   | LEFT KNIFE (UHMW)                                |
| 4  | 82-04-0310   | 2   | KNIFE BRACE (UNDER)                              |
| 5  | NC02-48-0548 | 18  | FLAT HEAD SOCKET CAP SCREW STAINLESS 1/2-13 X 2" |
| 6  | NC01-93-0014 | 22  | LOCK NUT ZINC 1/2-13                             |
| 7  | 82-42-0110   | 1   | LATERAL KNIFE (LEFT)                             |
| 8  | 82-42-0111   | 1   | LATERAL KNIFE (RIGHT)                            |
| 9  | 80-04-0185   | 6   | WASHER   |
| 10 | NC01-17-0394 | 6   | HEX. BOLT GR2 ZINC 5/8-11 X 1 1/2"               |
| 11 | NC02-25-0011 | 4   | WASHER SAE ZINC 17/32 ID                         |
| 12 | NC01-17-0251 | 2   | HEX. BOLT GR2 ZINC 1/2-13 X 2"                   |
| 13 | NC01-17-0250 | 2   | HEX. BOLT GR2 ZINC 1/2-13 X 1 3/4"               |



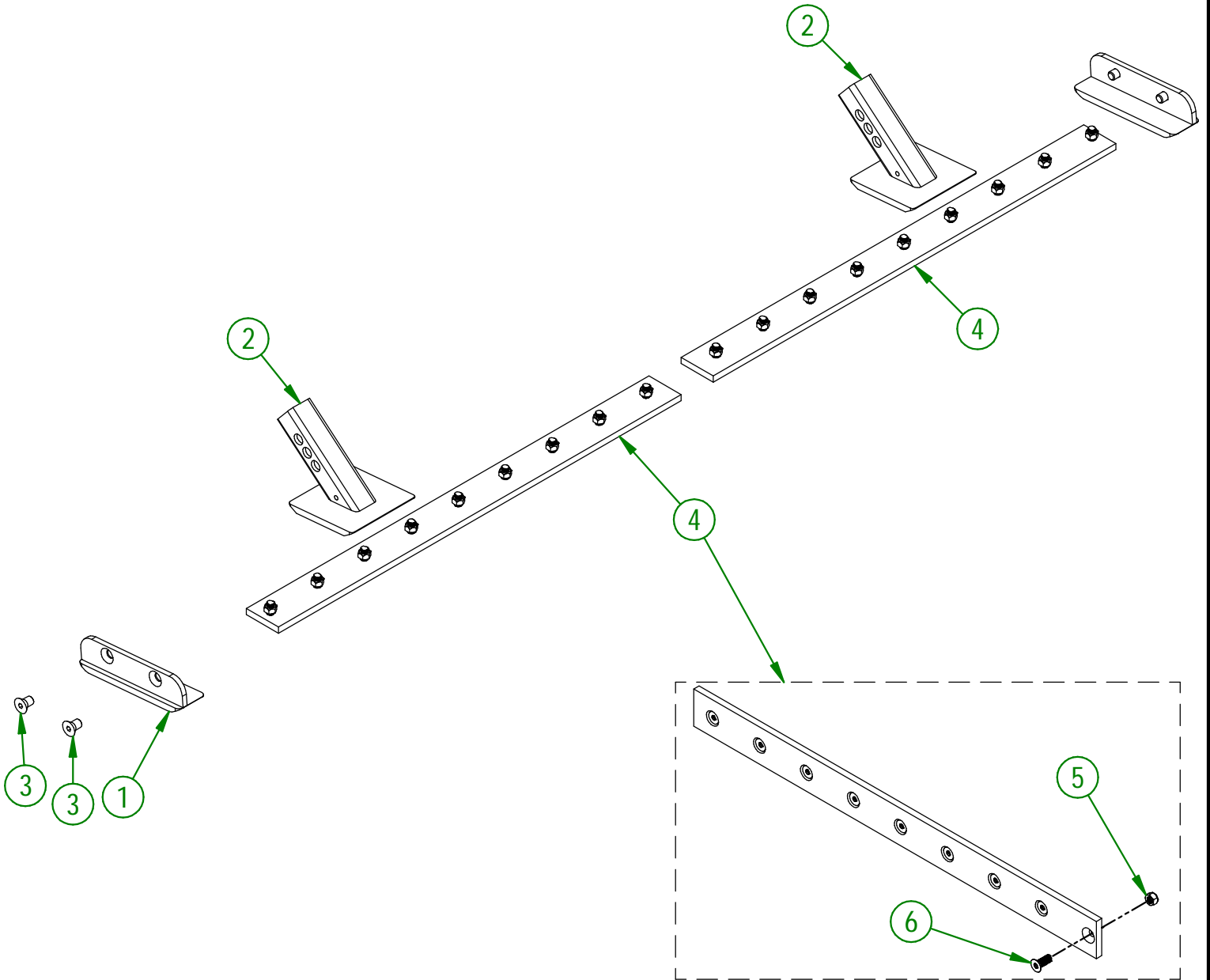
|                             |                              |
|-----------------------------|------------------------------|
| <b>AGRIMETAL</b>            |                              |
| <b>SET OF KNIVES (UHMW)</b> |                              |
| CREATION : 19/07/16         | ASSEMBLY : <b>82-57-1205</b> |
| REVISION : 27/09/23         | AUTHOR : J. HOULE            |

82-57-1210

| # | PART #       | Qty | TITLE   |
|---|--------------|-----|---|
| 1 | 80-50-0087   | 2   | LATERAL SKATE (STAINLESS STEEL)                         |
| 2 | 80-50-0058   | 2   | ADJUSTABLE SKATE (STAINLESS STEEL)                      |
| 3 | NC02-48-0586 | 4   | FLAT HEAD SOCKET CAP SCREW 5/8-11 X 1"LG                |
| 4 | 82-57-0065   | 2   | KNIFE (STAINLESS STEEL) GROUP (BOLTS AND NUTS INCLUDED) |

82-57-0065

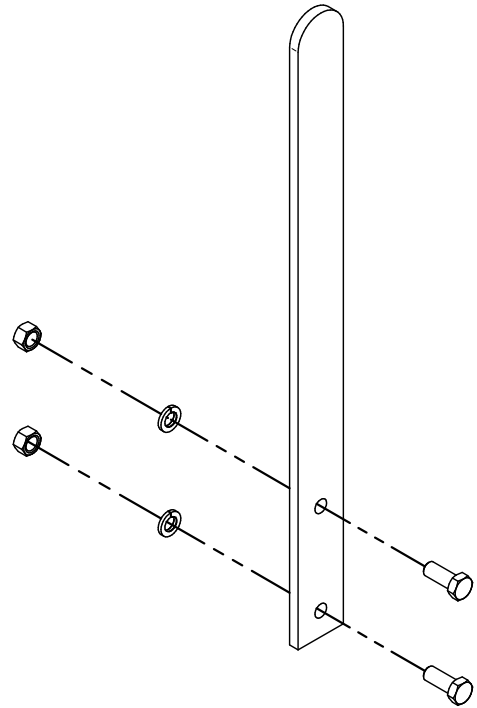
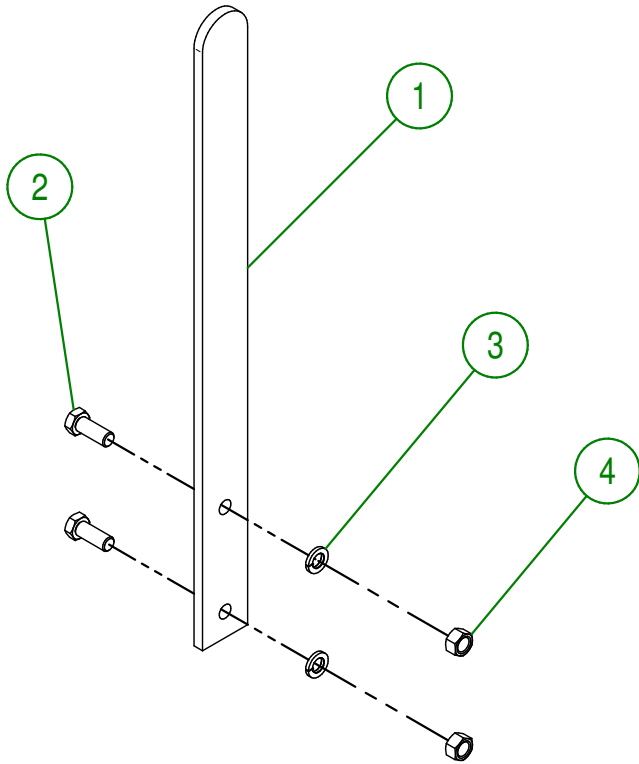
| # | PART #       | Qty | TITLE   |
|---|--------------|-----|---|
| 5 | NC01-93-0014 | 9   | LOCK NUT ZINC 1/2-13  |
| 6 | NC02-48-0545 | 9   | FLAT HEAD SOCKET CAP SCREW 1/2"-13 X 1 1/4" (STAINLESS STEEL) |



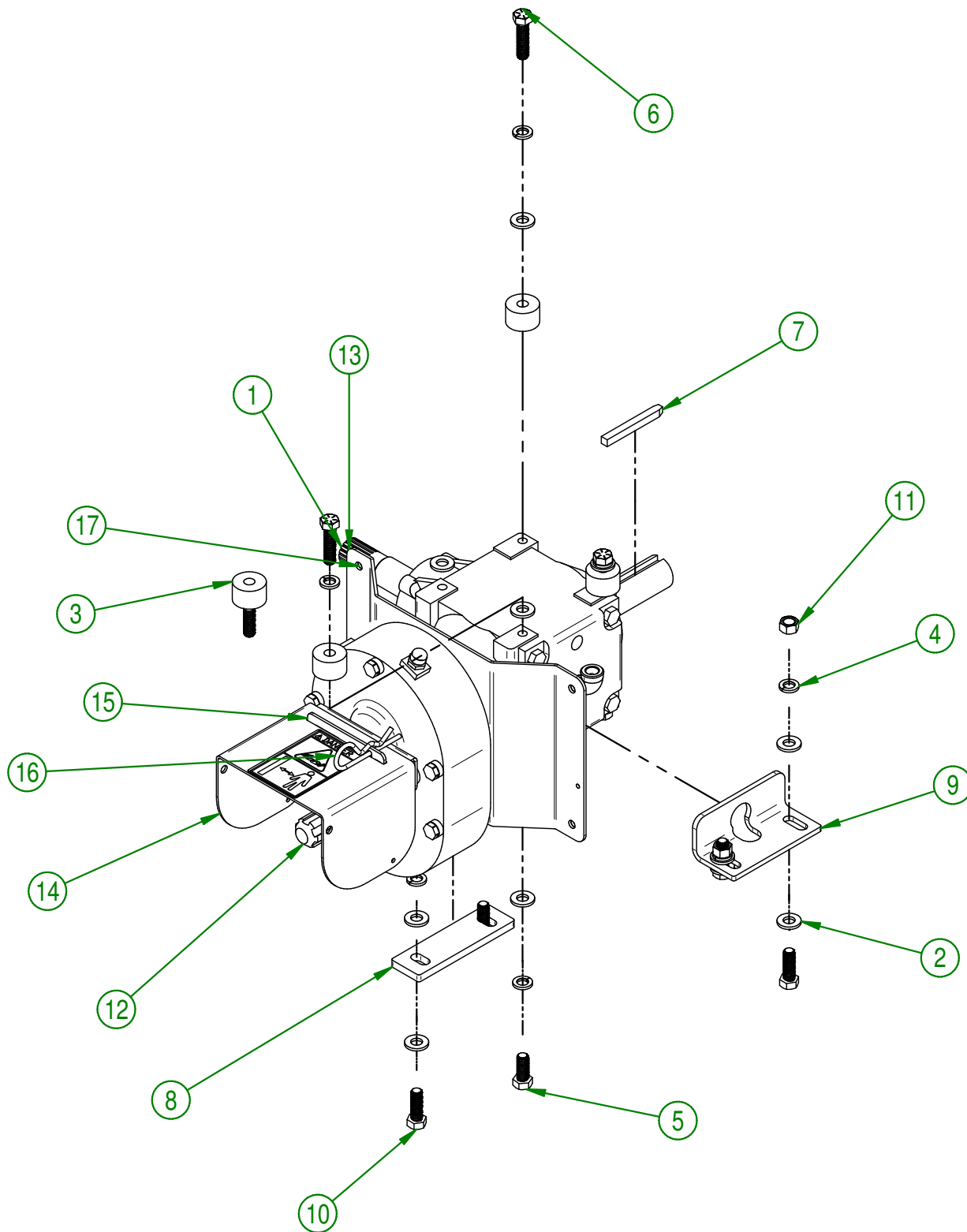
|  |                              |
|--|------------------------------|
| <b>AGRIMETAL</b>                       |                              |
| <b>SET OF KNIVES (STAINLESS STEEL)</b> |                              |
| CREATION : 19/07/16                    | ASSEMBLY : <b>82-57-1210</b> |
| REVISION : 26/09/23                    | AUTHOR : Dessin2             |

48-57-1235

| # | PART #       | Qty | TITLE                              |
|---|--------------|-----|------------------------------------|
| 1 | 48-05-2105   | 2   | LATERAL CUTTER BLADES              |
| 2 | NC01-25-0248 | 4   | HEX. BOLT GR5 ZINC 1/2-13 X 1 1/4" |
| 3 | NC02-32-0014 | 4   | LOCK WASHER ZINC 1/2"              |
| 4 | NC02-07-0020 | 4   | HEX. NUT ZINC 1/2-13               |



|                              |                              |
|------------------------------|------------------------------|
| <b>AGRIMETAL</b>             |                              |
| <b>LATERAL CUTTER BLADES</b> |                              |
| CREATION : 24/11/17          | ASSEMBLY : <b>48-57-1235</b> |
| REVISION : 22/10/18          | AUTHOR : J. Houle            |



|                         |                              |
|-------------------------|------------------------------|
| <b>AGRIMETAL</b>        |                              |
| <b>GEARBOX GROUPING</b> |                              |
| CREATION : 07/01/21     | ASSEMBLY : <b>82-57-5010</b> |
| REVISION : 07/01/21     | AUTHOR : G. HUBERDEAU        |

82-57-5010

| #   | PART #       | Qty | TITLE                                    |
|-----|--------------|-----|--|
| 1   | 80-55-0010   | 1   | GEARBOX                                  |
| 2   | NC02-25-0011 | 16  | WASHER SAE ZINC 17/32 ID                 |
| 3   | 80-21-0010   | 4   | TRANSMISSION BUSHING                     |
| 4   | NC02-32-0014 | 12  | LOCK WASHER ZINC 1/2"                    |
| 5   | NC01-33-0248 | 4   | HEX. BOLT .GR8 NC ZINC 1/2-13 X 1 1/4"   |
| 6   | NC01-33-0251 | 4   | HEX. BOLT GR8 NC ZINC 1/2-13 X 2"        |
| 7   | 80-41-0900   | 1   | IMPELLER KEY                             |
| 8   | 80-04-0480   | 1   | GEARBOX BRACE                            |
| 9   | 80-04-0485   | 1   | GEARBOX BRACE                            |
| 10  | NC01-33-0249 | 4   | CAP SCREW GR8 NC ZINC 1/2-13 X 1 1/2" LG |
| 11  | NC02-07-0020 | 4   | HEX. NUT ZINC 1/2-13                     |
| 12  | NC14-10-0167 | 1   | GEARBOX T27D                             |
| 13  | 82-01-0030   | 1   |  |
| 14  | 82-57-5035   | 1   | PTO GUARD                                |
| 15  | 80-01-0170   | 1   | PTO GUARD SUPPORT                        |
| 16  | NC01-63-0027 | 1   | HAIRPIN COTTER                           |
| 17  | 21-01-0950   | 4   | FLAT WASHER IOGA 1.005" DIA X 25/64"     |
| 18* | NC02-32-0012 | 5   | LOCK WASHER ZINC 3/8"                    |
| 19* | NC01-45-0218 | 5   |  |

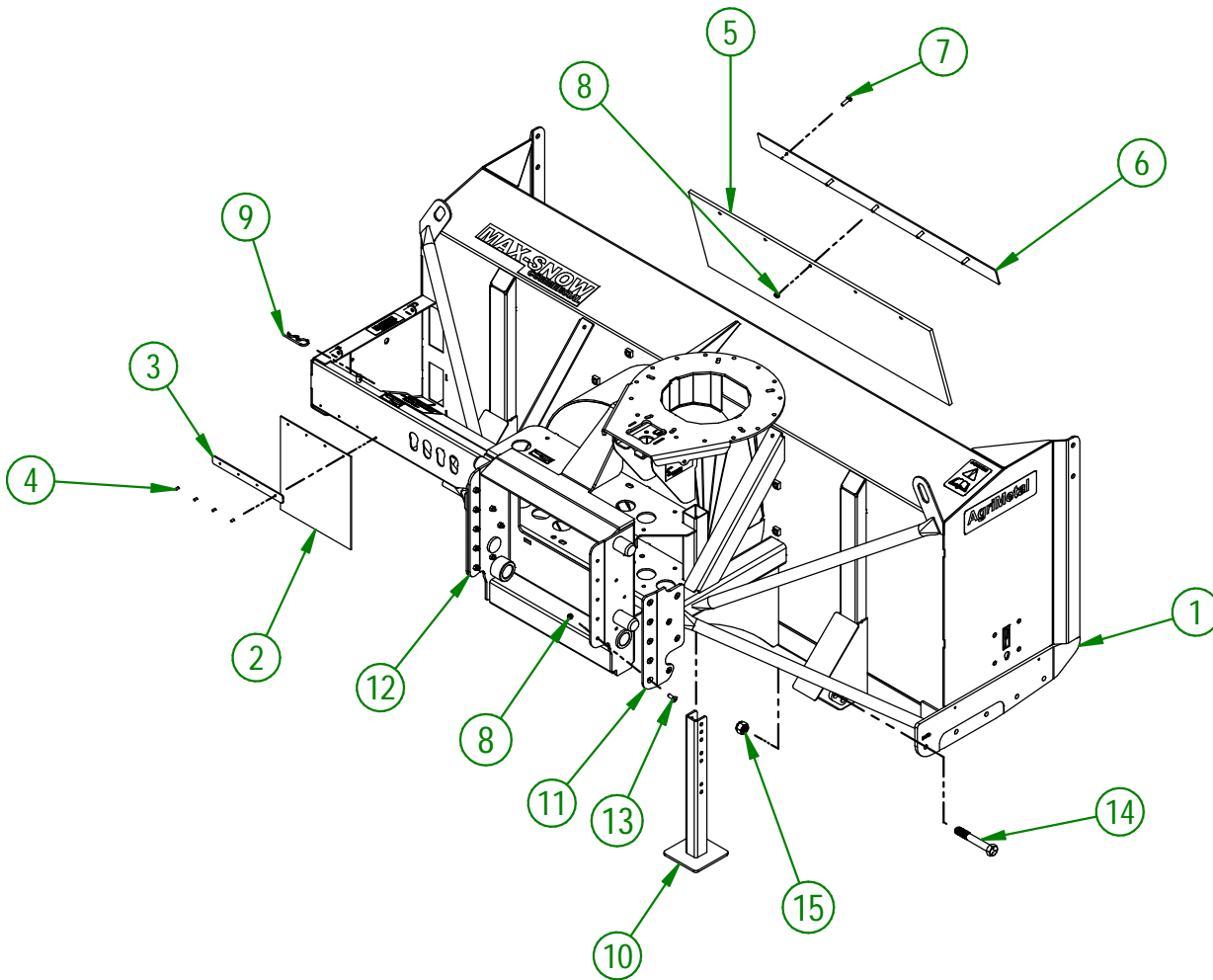
**AGRIMETAL****GEARBOX GROUPING**

CREATION : 07/01/21  
 REVISION : 07/01/21

ASSEMBLY : **82-57-5010**  
 AUTHOR : G. HUBERDEAU

82-57-5005

| #  | PART #       | Qty | TITLE   |
|----|--------------|-----|---|
| 1  | 82-57-5000   | 1   | FRAME AND STICKER                                     |
| 2  | NC13-15-0315 | 1   | SNOW GUARD  |
| 3  | 82-01-0970   | 1   | SNOW GUARD BRACE                                      |
| 4  | NC01-78-0016 | 4   | ALUMINIUM BLIND POP RIVET STEEL MANDREL 0.187 X 0.690 |
| 5  | NC13-15-0320 | 1   | RUBBER  |
| 6  | 80-57-0060   | 1   | RUBBER REINFORCEMENT                                  |
| 7  | NC01-17-0060 | 5   | HEX. BOLT GR2 ZINC 5/16-18 X 1"                       |
| 8  | NC01-93-0010 | 23  | LOCK NUT ZINC 5/16-18                                 |
| 9  | NC01-63-0026 | 1   | COTTER PIN ZC 5/32" X 3"                              |
| 10 | 80-50-0093   | 1   | STAND   |
| 11 | 82-42-0000   | 1   | FRONT ATTACHMENT SIDE (RIGHT)                         |
| 12 | 82-42-0005   | 1   | FRONT ATTACHMENT SIDE (LEFT)                          |
| 13 | NC02-48-0521 | 18  | 5/16-18 X 1 STAINLESS STEEL HEX DRIVE FLAT HEAD SCREW |
| 14 | NC01-25-0481 | 2   | HEX. BOLT GR5 NC 3/4-10 X 5"                          |
| 15 | NC01-96-0017 | 2   | HEX. LOCK NUT NYLO. NC 3/4-10                         |

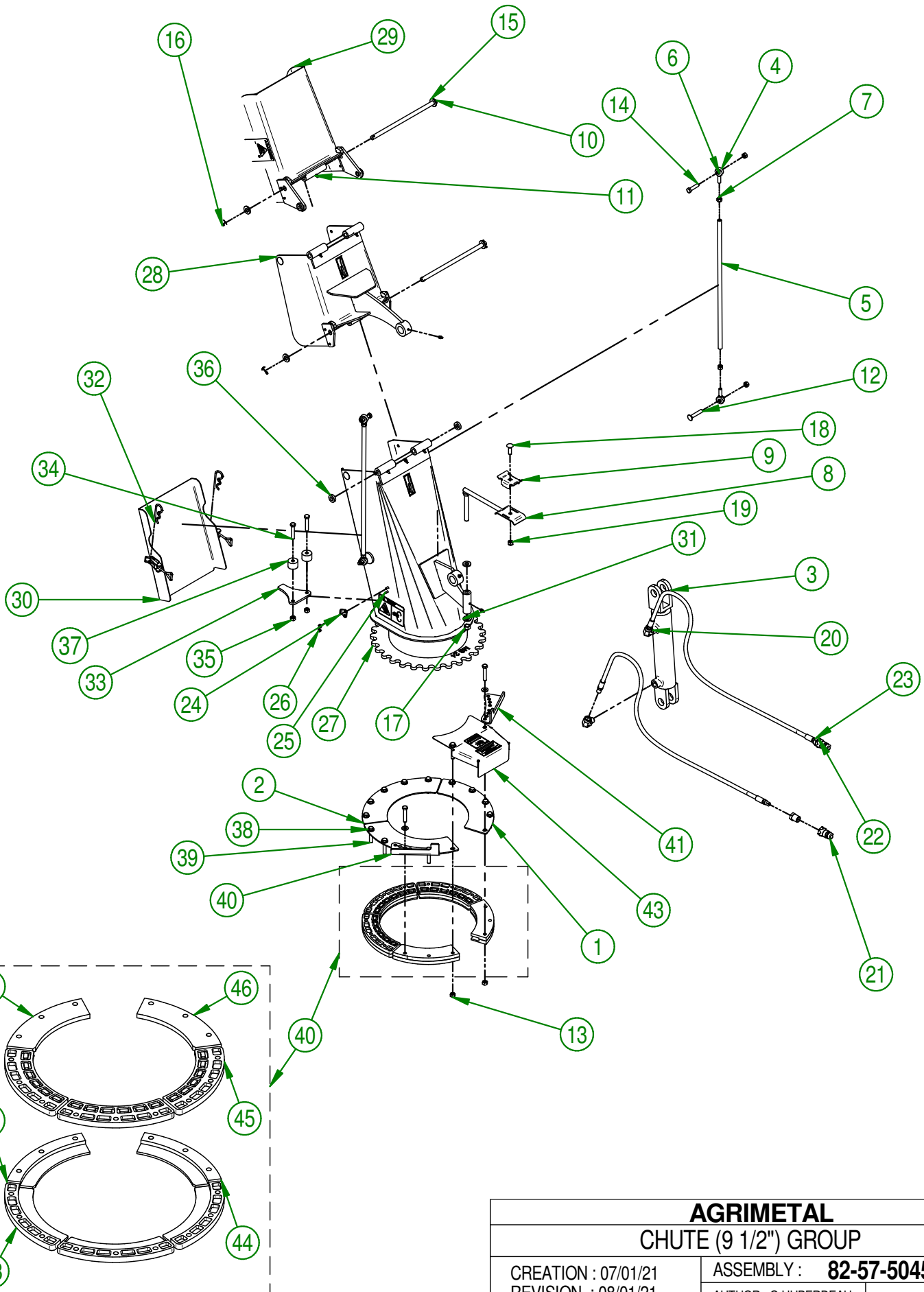


**AGRIMETAL**  
**FRAME GROUP**

CREATION : 07/01/21  
REVISION : 22/09/22

ASSEMBLY : **82-57-5005**  
AUTHOR : D. Bevins





**AGRIMETAL**  
**CHUTE (9 1/2") GROUP**

CREATION : 07/01/21  
 REVISION : 08/01/21

ASSEMBLY : **82-57-5045**  
 AUTHOR : G.HUBERDEAU

## 82-57-5045

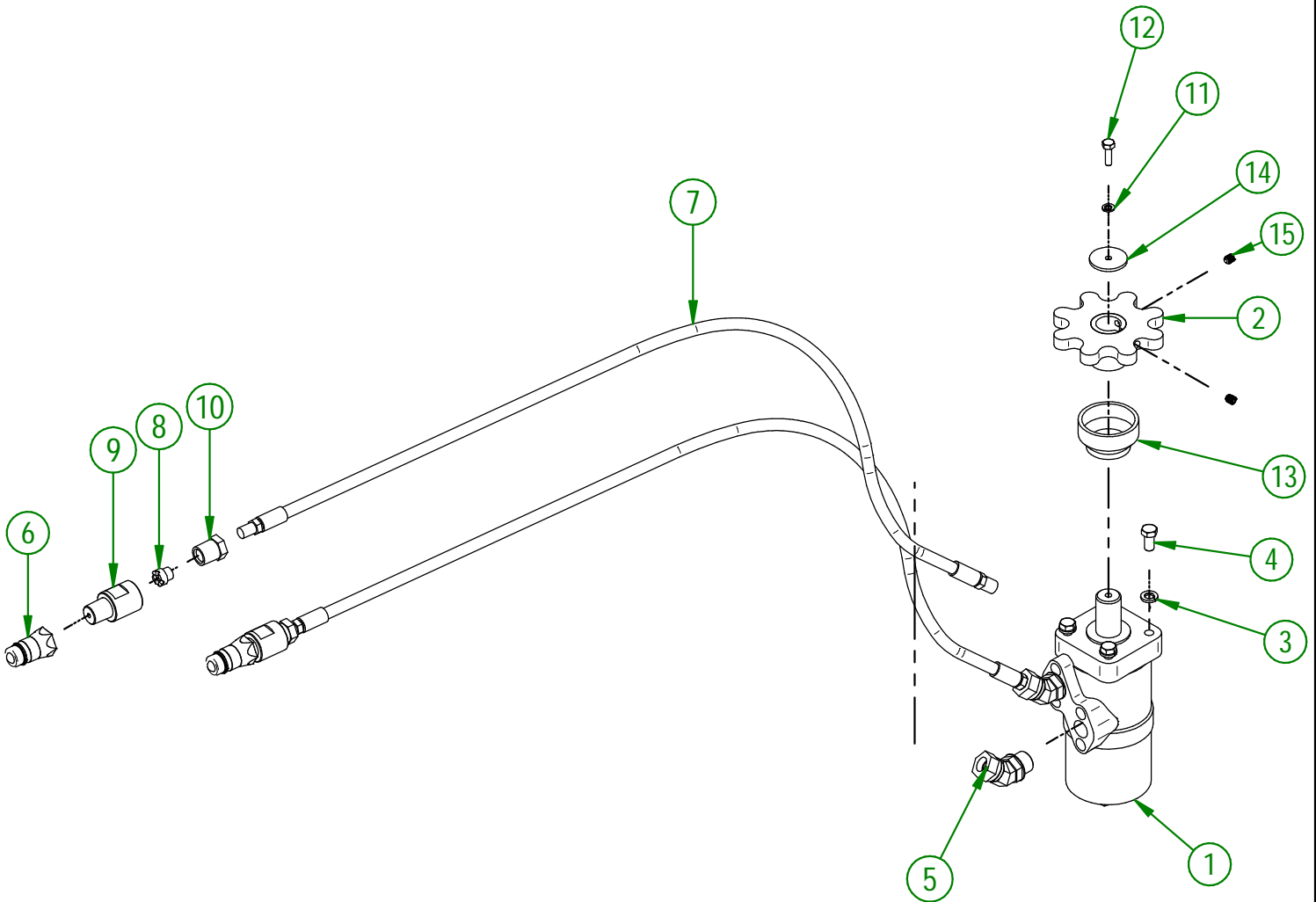
| #  | PART #       | Qty | TITLE   |
|----|--------------|-----|---|
| 1  | 82-01-0965   | 2   | BRACE   |
| 2  | 82-01-0955   | 1   | BRACE   |
| 3  | NC13-45-0209 | 1   | HYDRAULIC CYLINDER 6"                         |
| 4  | NC01-67-0304 | 4   | ROD END 3/8-24                                |
| 5  | 48-13-0600   | 2   | CHUTE ROD (DOUBLE)                            |
| 6  | NC01-67-0304 | 4   | ROD END 3/8-24                                |
| 7  | NC02-10-0018 | 4   | NUT 3/8-24                                    |
| 8  | 82-50-5030   | 1   | HYDRAULIC HOSE SUPPORT                        |
| 9  | 48-01-7530   | 1   | HYDRAULIC HOSE SUPPORT                        |
| 10 | 82-20-0250   | 2   | PIVOT   |
| 11 | NC01-69-0785 | 9   | STRAIGHT GREASE FITTING 1/4-28                |
| 12 | NC01-07-0113 | 2   | CARR. BOLT GR5 ZINC 3/8-16 X 2" LG            |
| 13 | NC01-93-0011 | 19  | LOCK NUT 3/8-16                               |
| 14 | NC01-25-0116 | 2   | HEX. BOLT GR5 ZINC 3/8-16 X 1 1/2"            |
| 15 | NC02-25-0011 | 4   | WASHER SAE ZINC 17/32 ID                      |
| 16 | NC01-69-0139 | 4   | COTTER PIN ZINC 1/8" X 3/4"                   |
| 17 | NC01-96-0014 | 1   | NYLON-INSERT LOCKNUT ZINC 1/2-13              |
| 18 | NC01-04-0110 | 1   | CARR. BOLT GR2 ZINC 3/8-16 X 1 1/4"           |
| 19 | NC01-96-0011 | 1   | NYLON NUT 3/8-16                              |
| 20 | NC13-45-0038 | 2   | ELBOW 90 3/8 FEM. NPT X 3/8 MALE NPT          |
| 21 | NC13-45-0369 | 2   | QUICK COUPLER 1/2-14 NPTF                     |
| 22 | NC13-45-0153 | 2   | HEX. REDUCER 1/4 NPT X 1/2 NPT                |
| 23 | NC17-02-0329 | 2   | HYDRAULIC HOSE (87" LG)                       |
| 24 | NC01-63-0052 | 2   | ADJUSTABLE LATCH (STRIKE)                     |
| 25 | NC02-40-0080 | 4   | MACHINE SCREWS SQUARE SOCKET #10-24 X 1/2" LG |
| 26 | NC01-96-0006 | 4   | NYLON NUT ZINC 10-24                          |
| 27 | 84-57-0300   | 1   | CHUTE (BOTTOM SECTION)                        |
| 28 | 82-57-0311   | 1   | CHUTE (MIDDLE SECTION)                        |
| 29 | 82-57-0321   | 1   | CHUTE (TOP SECTION)                           |
| 30 | 82-57-0352   | 1   | CHUTE DOOR                                    |
| 31 | 01-01-0925   | 2   | WASHER  |
| 32 | NC01-63-0026 | 2   | COTTER PIN ZC 5/32" X 3"                      |
| 33 | 84-04-0195   | 1   | STOPPER                                       |
| 34 | NC01-37-0118 | 2   | HEX. BOLT GR8 ZINC 3/8-24 X 2"                |
| 35 | NC01-94-0011 | 2   | LOCK NUT 3/8-24                               |
| 36 | NC13-15-0334 | 2   | PIVOT WASHER                                  |
| 37 | 81-21-0040   | 2   | ADJUSTABLE STOPPER SPACER                     |
| 38 | 01-01-2485   | 15  | FLAT WASHER 14 GA X 13/16"OD X 25/64" ID      |
| 39 | NC01-17-0118 | 15  | HEX. BOLT GR2 ZINC 3/8-16 X 2"                |
| 40 | 84-04-0180   | 1   | ADJUSTABLE STOPPER                            |
| 41 | 84-04-0183   | 1   | ADJUSTABLE STOPPER                            |
| 42 | 84-57-1325   | 1   | CHUTE GUIDE GROUP                             |
| 43 | 84-57-0500   | 1   | SPROCKET GUARD GROUP "STICKER INCLUDED"       |

## 84-57-1325

| #  | PART #       | Qty | TITLE               |
|----|--------------|-----|---------------------|
| 42 | 46-42-0107   | 1   | CHUTE GUIDE (UNDER) |
| 43 | NC17-46-0030 | 3   | CHUTE GUIDE (UNDER) |
| 44 | 46-42-0106   | 1   | CHUTE GUIDE (UNDER) |
| 45 | NC17-46-0029 | 3   | CHUTE GUIDE (TOP)   |
| 46 | 46-42-0101   | 1   | CHUTE GUIDE (TOP)   |
| 47 | 46-42-0102   | 1   | CHUTE GUIDE (TOP)   |

82-57-5015

| #  | PART #       | Qty | TITLE  |
|----|--------------|-----|--|
| 1  | NC14-45-0156 | 1   | HYDRAULIC MOTOR                              |
| 2  | 48-50-1025   | 1   | HYDRAULIC ENGINE SPROCKET                    |
| 3  | NC02-32-0012 | 4   | LOCK WASHER ZINC 3/8"                        |
| 4  | NC01-17-0112 | 4   | HEX. BOLT GR2 ZINC 3/8-16 X 3/4"             |
| 5  | NC13-45-0367 | 2   | 45°-7/8-14 MALE O RING X 1/2 FEM.TOUR.NPT PT |
| 6  | NC13-45-0369 | 2   | QUICK COUPLER 1/2-14 NPTF                    |
| 7  | NC17-02-0328 | 2   | HYDRAULIC HOSE (63" LG)                      |
| 8  | 80-13-0100   | 2   | HYDRAULIC RESTRICTOR                         |
| 9  | NC13-45-0378 | 2   | HYDRAULIC RESTRICTOR BUSHING                 |
| 10 | 80-45-0000   | 2   | HEX. REDUCER 1/4 NPT X 1/2 NPT               |
| 11 | NC02-32-0010 | 1   | LOCK WASHER ZINC 1/4"                        |
| 12 | NC01-33-0005 | 1   | HEX. BOLT GR8 ZINC 1/4-20 X 7/8"             |
| 13 | NC17-46-0031 | 1   | HYDRAULIC MOTOR BUSHING                      |
| 14 | NC02-22-0009 | 1   | WASHER                                       |
| 15 | NC02-44-0103 | 2   | SET SCREW 5/16-18 X 3/8"                     |



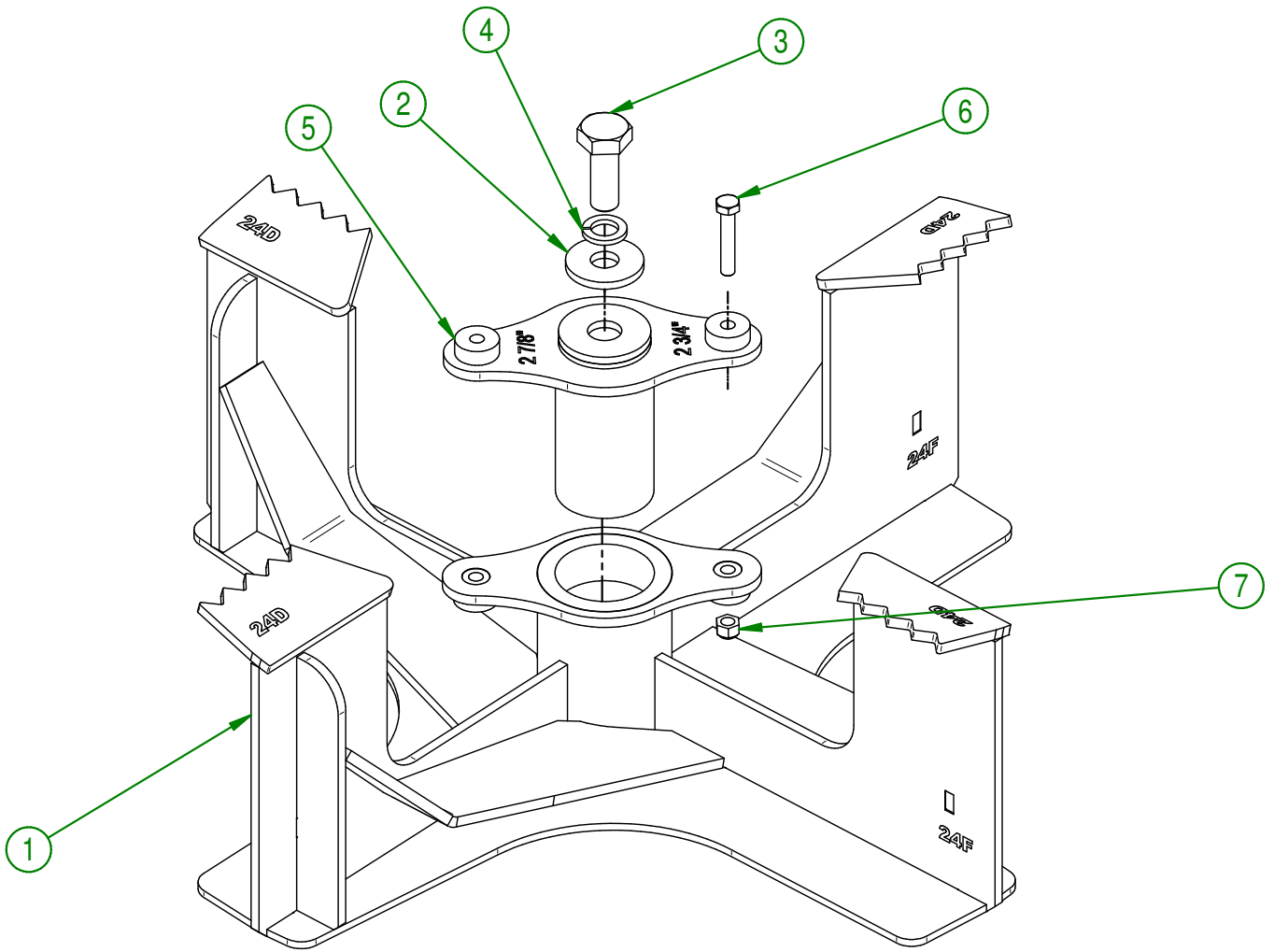
**AGRIMETAL**  
**HYDRAULIC MOTOR GROUP**

CREATION : 07/01/21  
 REVISION : 03/03/23

ASSEMBLY : **82-57-5015**  
 AUTHOR : G.HUBERDEAU

82-57-5025

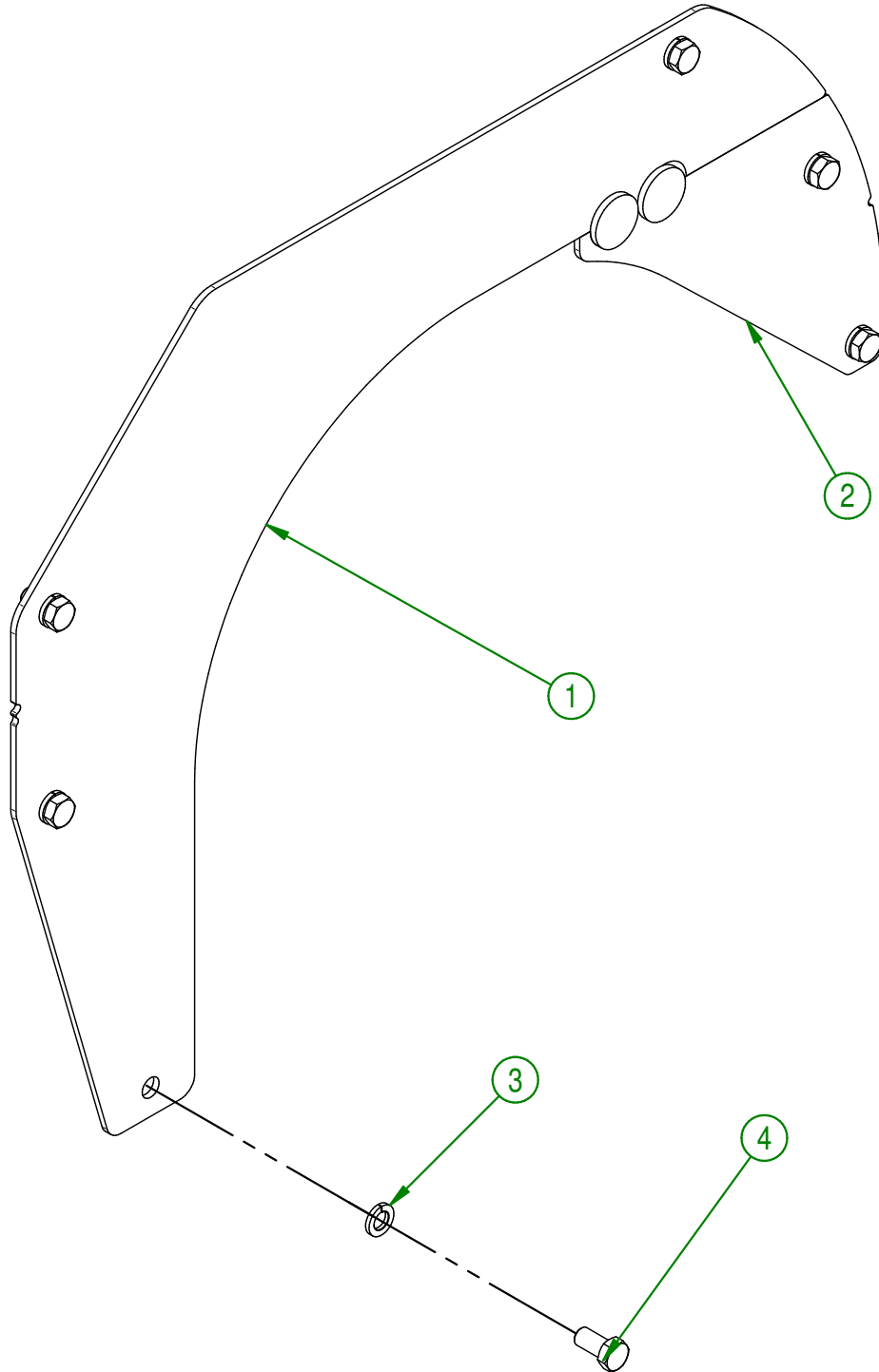
| # | PART #       | Qty | TITLE                                  |
|---|--------------|-----|--|
| 1 | 82-50-5005   | 1   | IMPELLER                               |
| 2 | 80-04-0185   | 1   | WASHER                                 |
| 3 | NC01-25-0395 | 1   | HEX. BOLT GR5 ZINC 5/8-11 X 1 3/4" LG  |
| 4 | NC02-32-0016 | 1   | LOCK WASHER ZINC 5/8"                  |
| 5 | 82-50-5025   | 1   | SHEAR PLATE                            |
| 6 | NC01-17-0063 | 1   | CAP SCREW GR2 NC ZINC 5/16-18 X 1 3/4" |
| 7 | NC01-96-0010 | 1   | NYLON NUT HEX. ZINC 5/16-18            |



|                       |                              |
|-----------------------|------------------------------|
| <b>AGRIMETAL</b>      |                              |
| <b>IMPELLER GROUP</b> |                              |
| CREATION : 07/01/21   | ASSEMBLY : <b>82-57-5025</b> |
| REVISION : 07/01/21   | AUTHOR : G.HUBERDEAU         |

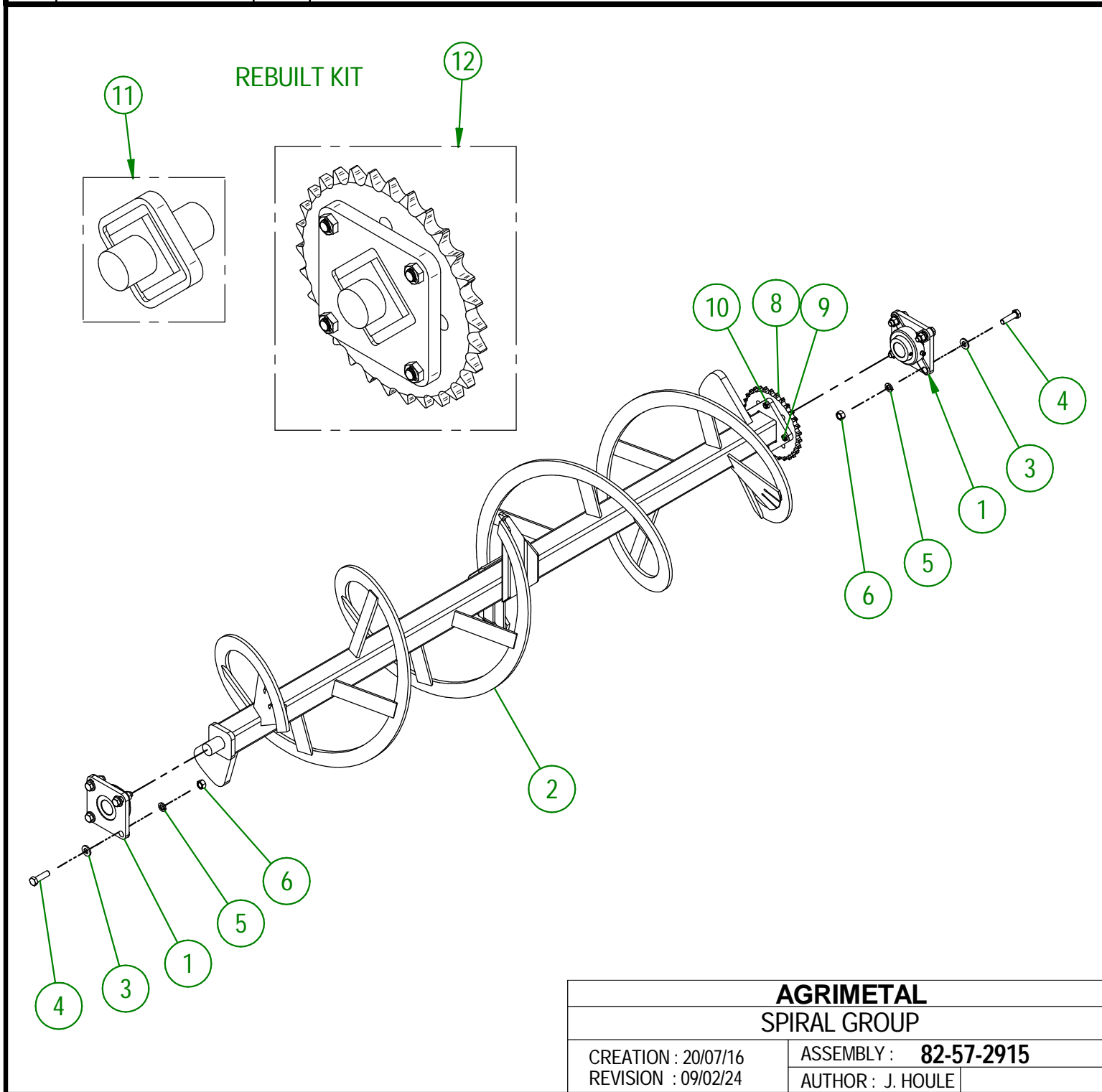
82-57-5040

| # | PART #       | Qty | TITLE                             |
|---|--------------|-----|-----------------------------------|
| 1 | 82-50-5020   | 1   | LEFT SNOW GUARD                   |
| 2 | 82-50-0113   | 1   | RIGHT SNOW GUARD                  |
| 3 | NC02-32-0014 | 6   | LOCK WASHER ZINC 1/2"             |
| 4 | NC01-25-0247 | 6   | HEX. BOLT GR5 ZINC 1/2-13 X 1" LG |

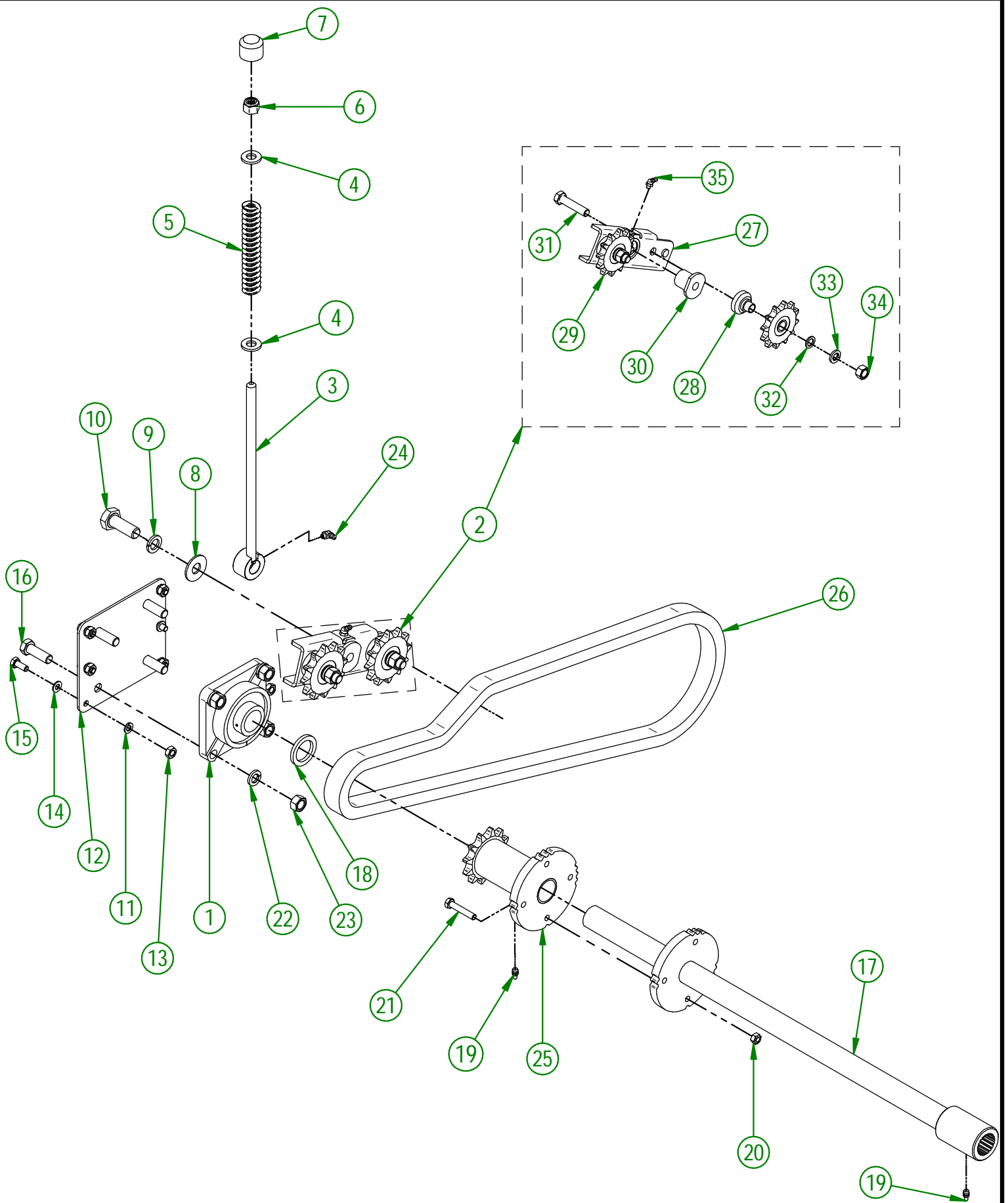


|                         |                              |
|-------------------------|------------------------------|
| <b>AGRIMETAL</b>        |                              |
| <b>SNOW GUARD GROUP</b> |                              |
| CREATION : 07/01/21     | ASSEMBLY : <b>82-57-5040</b> |
| REVISION : 07/01/21     | AUTHOR : G.HUBERDEAU         |

| #  | PART #       | Qty | TITLE                              |
|----|--------------|-----|------------------------------------|
| 1  | NC14-75-0160 | 2   | FLANGE BEARING UCF207-20   1/4" ID |
| 2  | 82-50-1080   | 1   | SPIRAL                             |
| 3  | NC02-25-0011 | 8   | WASHER SAE ZINC 17/32 ID           |
| 4  | NC01-17-0250 | 8   | HEX. BOLT GR2 ZINC 1/2-13 X   3/4" |
| 5  | NC02-32-0014 | 8   | LOCK WASHER ZINC 1/2"              |
| 6  | NC02-07-0020 | 8   | HEX. NUT ZINC 1/2-13               |
| 8  | NC14-55-0294 | 1   | 60A32H SPROCKET                    |
| 9  | NC01-29-0115 | 4   | HEX. BOLT GR5 ZINC 3/8-24 X   1/4" |
| 10 | NC01-94-0011 | 4   | LOCK NUT ZINC 3/8-24               |
| 11 | 82-51-0086   | 1   | SHAFT OF THE SPIRAL                |
| 12 | 82-51-0091   | 1   | SHAFT OF THE SPIRAL (SPROCKET)     |



|                     |                              |
|---------------------|------------------------------|
| <b>AGRIMETAL</b>    |                              |
| <b>SPIRAL GROUP</b> |                              |
| CREATION : 20/07/16 | ASSEMBLY : <b>82-57-2915</b> |
| REVISION : 09/02/24 | AUTHOR : J. HOULE            |



|                                 |                              |
|---------------------------------|------------------------------|
| <b>AGRIMETAL</b>                |                              |
| <b>DRIVE TRAIN SPIRAL GROUP</b> |                              |
| CREATION : 07/01/21             | ASSEMBLY : <b>82-57-5020</b> |
| REVISION : 07/09/23             | AUTHOR : G.HUBERDEAU         |

82-57-5020

| #  | PART #       | Qty | TITLE  |
|----|--------------|-----|--|
| 1  | NC14-75-0024 | 1   | FLANGE BEARING 4 HOLES UCF207-20 I 1/4" DIA. |
| 2  | 80-55-0025   | 1   | CHAIN TENSIONER GROUP                        |
| 3  | 80-50-0040   | 1   | THREADED ROD                                 |
| 4  | NC02-25-0011 | 2   | WASHER SAE ZINC 17/32 ID                     |
| 5  | NC13-86-0053 | 1   | BLUE SPRING 1/2" ID X 1" OD X 6" LG          |
| 6  | NC01-96-0014 | 1   | NYLON-INSERT LOCKNUT ZINC 1/2-13             |
| 7  | 80-42-0110   | 1   | THREADED ROD CAP                             |
| 8  | NC02-22-0013 | 1   | WASHER ZINC 5/8 ID X 1 1/2 OD                |
| 9  | NC02-32-0016 | 1   | LOCK WASHER ZINC 5/8"                        |
| 10 | NC01-17-0395 | 1   | HEX. BOLT GR2 ZINC 5/8-11 X 1 3/4"           |
| 11 | NC02-32-0011 | 6   | LOCK WASHER ZINC 5/16"                       |
| 12 | 82-01-0005   | 1   | BEARING SUPPORT                              |
| 13 | NC02-07-0017 | 6   | HEX. NUT 5/16-18                             |
| 14 | NC02-22-0008 | 6   | WASHER ZINC 5/16"                            |
| 15 | NC01-17-0058 | 6   | HEX. BOLT GR2 ZINC 5/16-18 X 3/4" LG         |
| 16 | NC01-17-0249 | 4   | HEX. BOLT GR2 ZINC 1/2-13 X 1 1/2"           |
| 17 | 82-50-1066   | 1   | SPIRAL DRIVE TRAIN                           |
| 18 | 82-21-0005   | 1   | SPIRAL DRIVE TRAIN BUSHING                   |
| 19 | NC01-69-0785 | 2   | STRAIGHT GREASE FITTING 1/4-28               |
| 20 | NC01-93-0010 | 1   | LOCK NUT ZINC 5/16-18                        |
| 21 | NC01-17-0063 | 1   | CAP SCREW GR2 NC ZINC 5/16-18 X 1 3/4"       |
| 22 | NC02-32-0014 | 4   | LOCK WASHER ZINC 1/2"                        |
| 23 | NC02-07-0020 | 4   | HEX. NUT ZINC 1/2-13                         |
| 24 | NC01-69-0787 | 1   | GREASE FITTING STRAIGHT 1/4-28 X 90          |
| 25 | NC14-55-0327 | 1   | 60B12H SPROCKET                              |
| 26 | 82-37-5000   | 1   | CHAIN #60 X 63" LG + HALF LINK CHAIN         |

80-55-0025

| #  | PART #       | Qty | TITLE                                 |
|----|--------------|-----|---------------------------------------|
| 27 | 80-50-0045   | 1   | CHAIN TENSIONER                       |
| 28 | 80-21-0020   | 2   | CHAIN TENSIONER BUSHING (SPROCKET)    |
| 29 | NC14-55-0295 | 2   | SPROCKET 60A12H                       |
| 30 | 80-13-2400   | 1   | CHAIN TENSIONER BUSHING               |
| 31 | NC01-29-0252 | 2   | HEX. BOLT GR2 ZINC 1/2-20 X 2 1/4" LG |
| 32 | NC02-26-1100 | 2   | WASHER SAE ZINC 17/32 ID X 13/16" OD  |
| 33 | NC02-32-0014 | 2   | LOCK WASHER ZINC 1/2"                 |
| 34 | NC02-10-0020 | 2   | HEX. NUT ZINC 1/2-20                  |
| 35 | NC01-69-0786 | 1   | GREASE FITTING 1/4-28 X 45            |

**AGRIMETAL****DRIVE TRAIN SPIRAL GROUP**

CREATION : 07/01/21

REVISION : 07/09/23

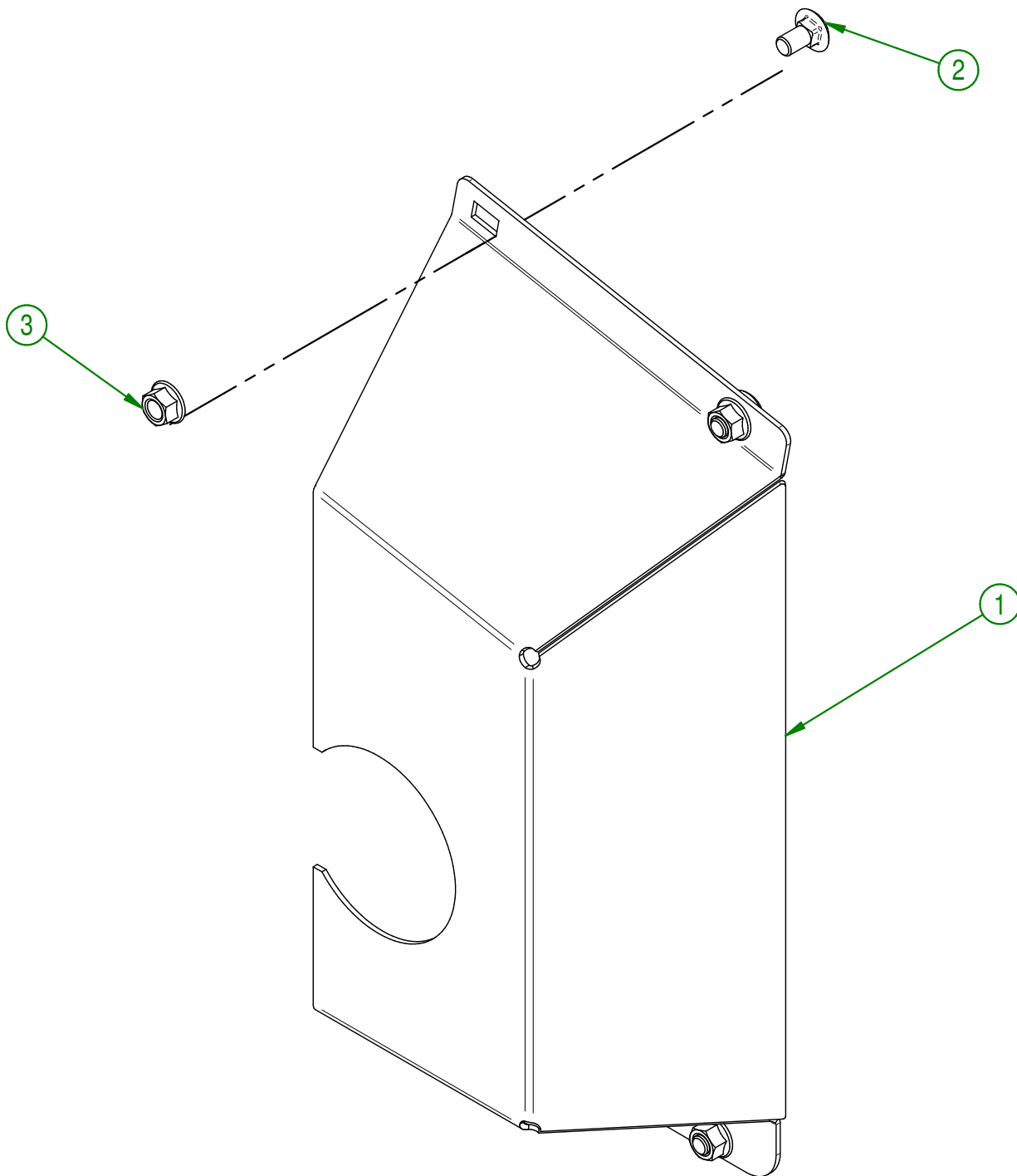
ASSEMBLY : **82-57-5020**

AUTHOR : G.HUBERDEAU



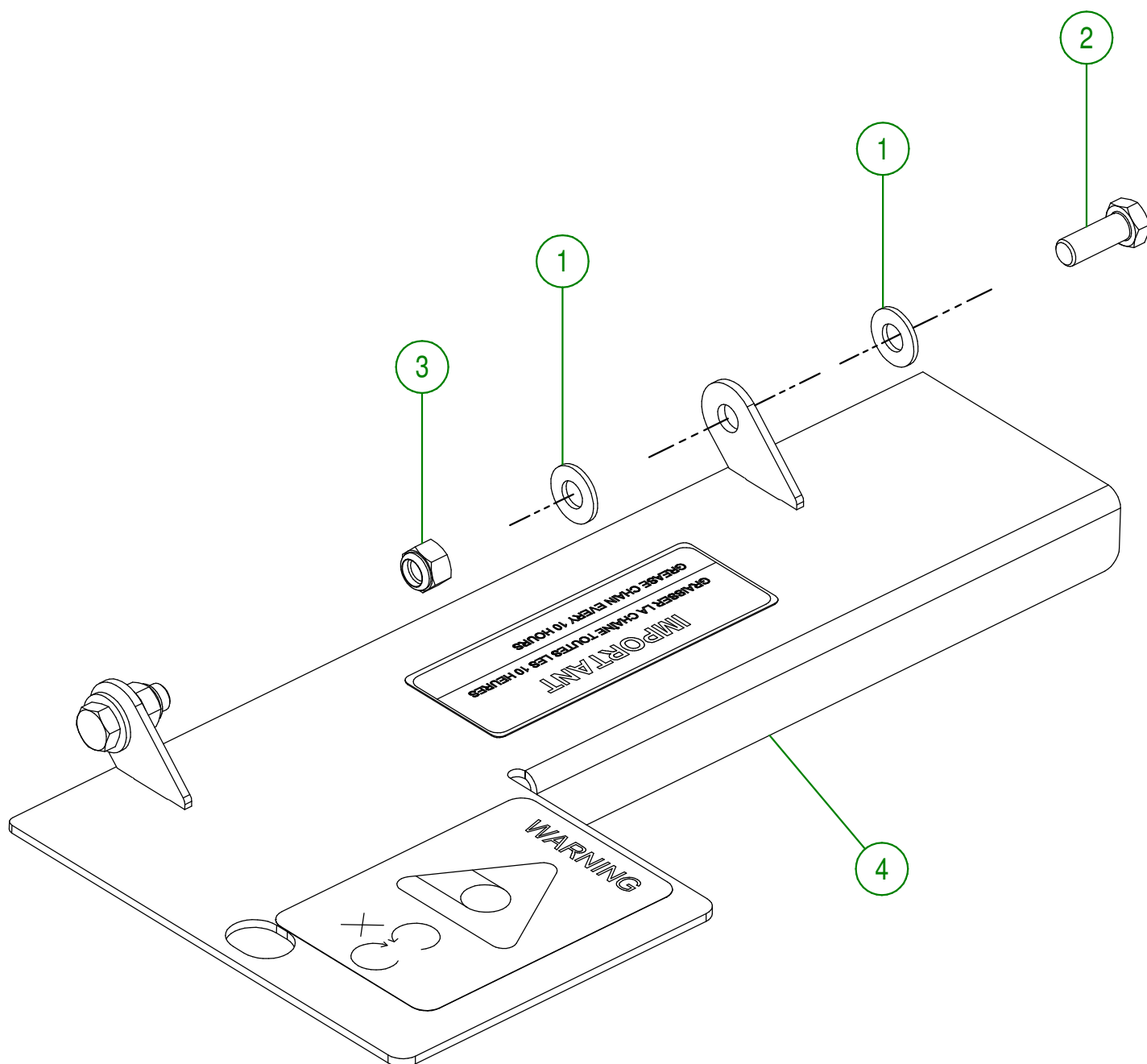
82-57-5030

| # | PART #       | Qty | TITLE                             |
|---|--------------|-----|-----------------------------------|
| 1 | 82-50-5015   | 1   | CHAIN GUARD                       |
| 2 | NC01-04-0107 | 4   | CARR. BOLT GR2 ZINC 3/8-16 X 3/4" |
| 3 | NC02-14-0019 | 4   | FLANGE NUT HEX. NC 3/8-16 GR. B   |

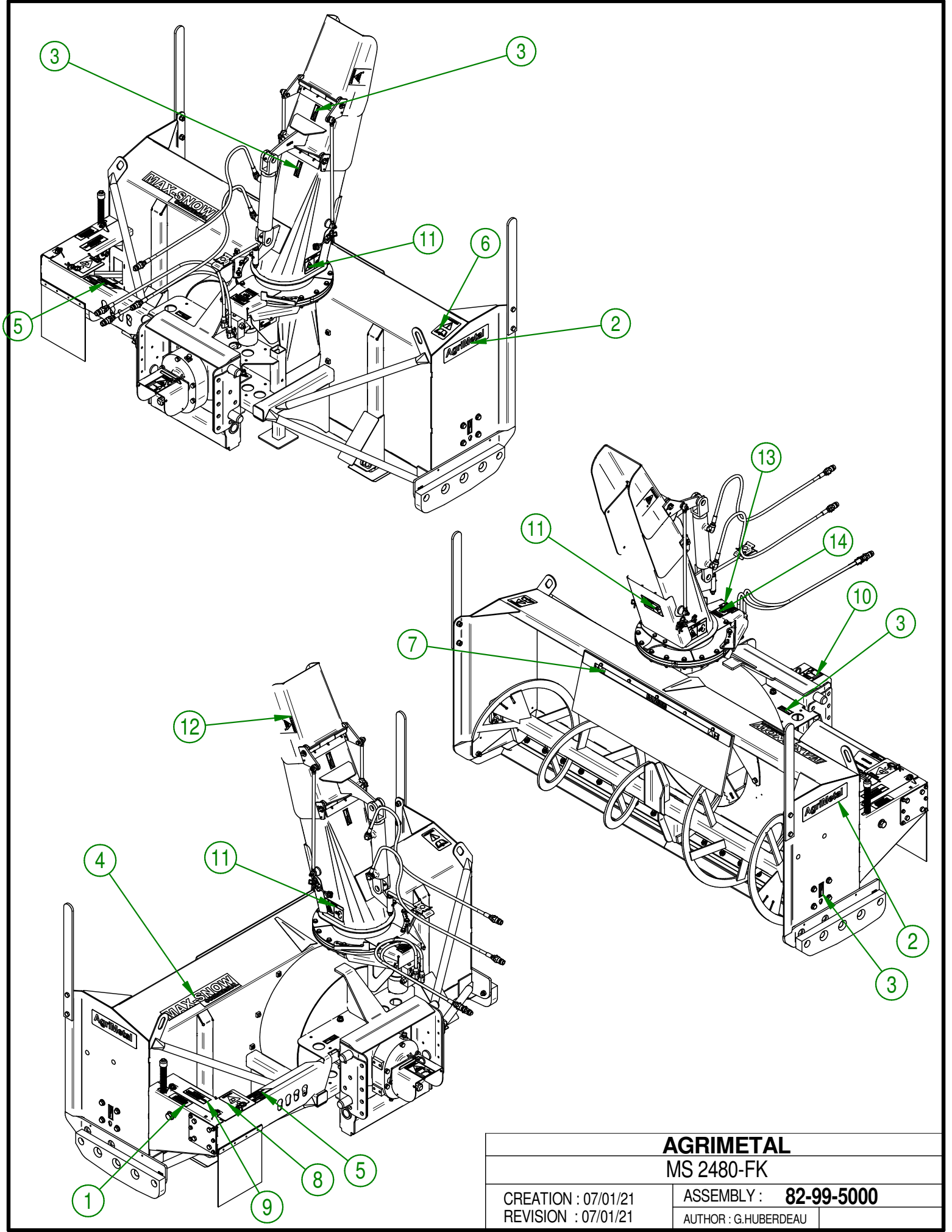


|                                 |                              |
|---------------------------------|------------------------------|
| <b>AGRIMETAL</b>                |                              |
| <b>SPIRAL CHAIN GUARD GROUP</b> |                              |
| CREATION : 07/01/21             | ASSEMBLY : <b>82-57-5030</b> |
| REVISION : 07/01/21             | AUTHOR : G.HUBERDEAU         |

| # | PART #       | Qty | TITLE                                    |
|---|--------------|-----|--|
| 1 | 01-01-2485   | 4   | FLAT WASHER 14 GA X 13/16"OD X 25/64" ID |
| 2 | NC01-17-0114 | 2   | HEX. BOLT GR2 ZINC 3/8-16 X 1"           |
| 3 | NC01-96-0011 | 2   | NYLON NUT 3/8-16                         |
| 4 | 82-57-0036   | 1   | CHAIN GUARD                              |



|                          |                              |
|--------------------------|------------------------------|
| <b>AGRIMETAL</b>         |                              |
| <b>CHAIN GUARD GROUP</b> |                              |
| CREATION : 20/07/16      | ASSEMBLY : <b>82-57-1945</b> |
| REVISION : 18/11/19      | AUTHOR : J. HOULE            |



**AGRIMETAL**

**MS 2480-FK**

CREATION : 07/01/21  
 REVISION : 07/01/21

ASSEMBLY : **82-99-5000**

AUTHOR : G.HUBERDEAU

82-99-5000

| #  | PART #       | Qty | TITLE                                   |
|----|--------------|-----|---|
| 1  | NC13-33-0104 | 1   | STICKER IMPORTANT 4 INCHES 100 MM       |
| 2  | NC13-33-0035 | 2   | STICKER AGRIMETAL                       |
| 3  | NC13-33-0024 | 4   | STICKER GREASE HERE                     |
| 4  | NC13-33-0241 | 1   | STICKER MAX-SNOW COMMERCIAL             |
| 5  | NC13-33-0280 | 1   | STICKER SHEAR BOLT                      |
| 6  | NC13-33-0183 | 1   | STICKER CAUTION OPERATION MANUAL        |
| 7  | NC13-33-0274 | 1   | STICKER DANGER                          |
| 8  | NC13-33-0283 | 1   | STICKER DANGER (PERSON AND CHAIN DRIVE) |
| 9  | NC13-33-0343 | 1   | GREASE CHAIN EVERY 10 HOURS STICKER     |
| 10 | NC13-33-0187 | 1   | STICKER DANGER (PTO AND PERSON)         |
| 11 | NC13-33-0249 | 3   | STICKER DANGER                          |
| 12 | NC13-33-0192 | 1   | STICKER (PROJECTION RISK)               |
| 13 | NC13-33-0327 | 1   | STICKER END ROTATION ADJUSTMENT         |
| 14 | NC13-33-0326 | 1   | STICKER DANGER (HAND)                   |

**AGRIMETAL****MS 2480-FK**

CREATION : 07/01/21  
 REVISION : 07/01/21

ASSEMBLY : **82-99-5000**

AUTHOR : G.HUBERDEAU