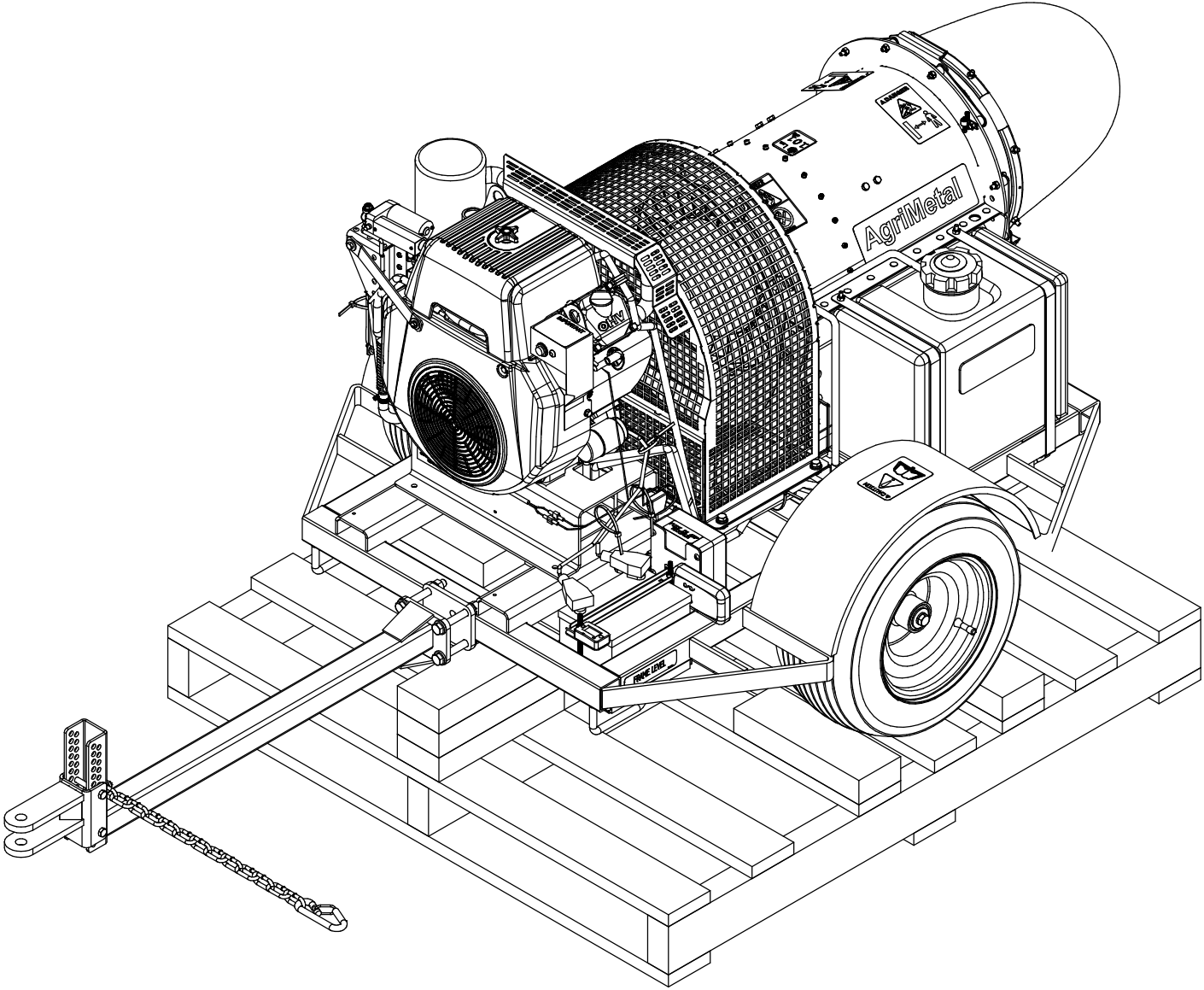
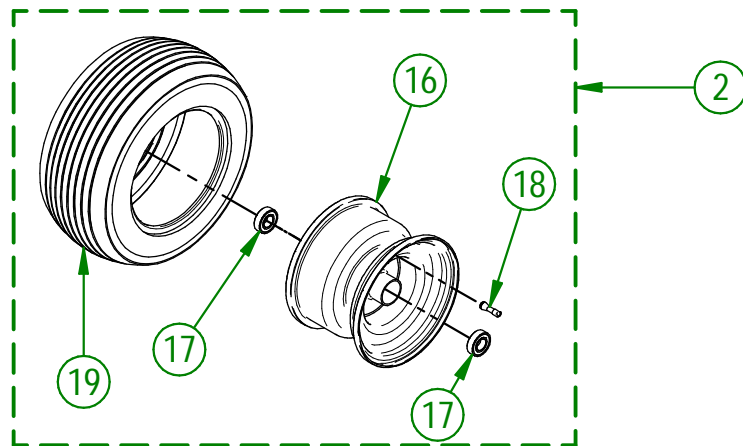
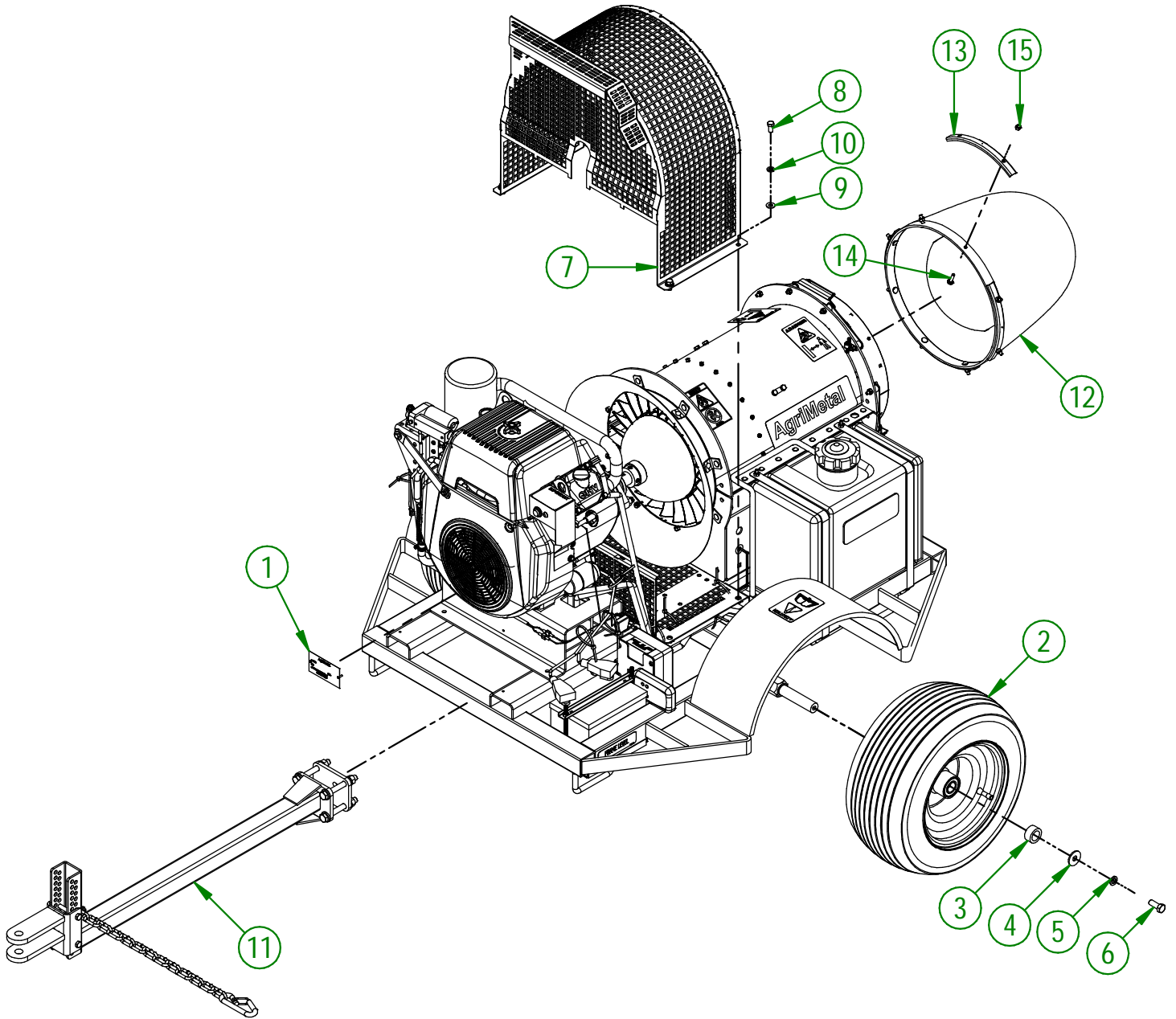


# AgriMetal

## PARTS LIST



# TURBINE BLOWER 280



|                           |                              |
|---------------------------|------------------------------|
| <b>AGRIMETAL</b>          |                              |
| <b>TURBINE BLOWER 280</b> |                              |
| CREATION : 08/11/17       | ASSEMBLY : <b>33-99-2500</b> |
| REVISION : 01/03/22       | AUTHOR : J.KABWE             |

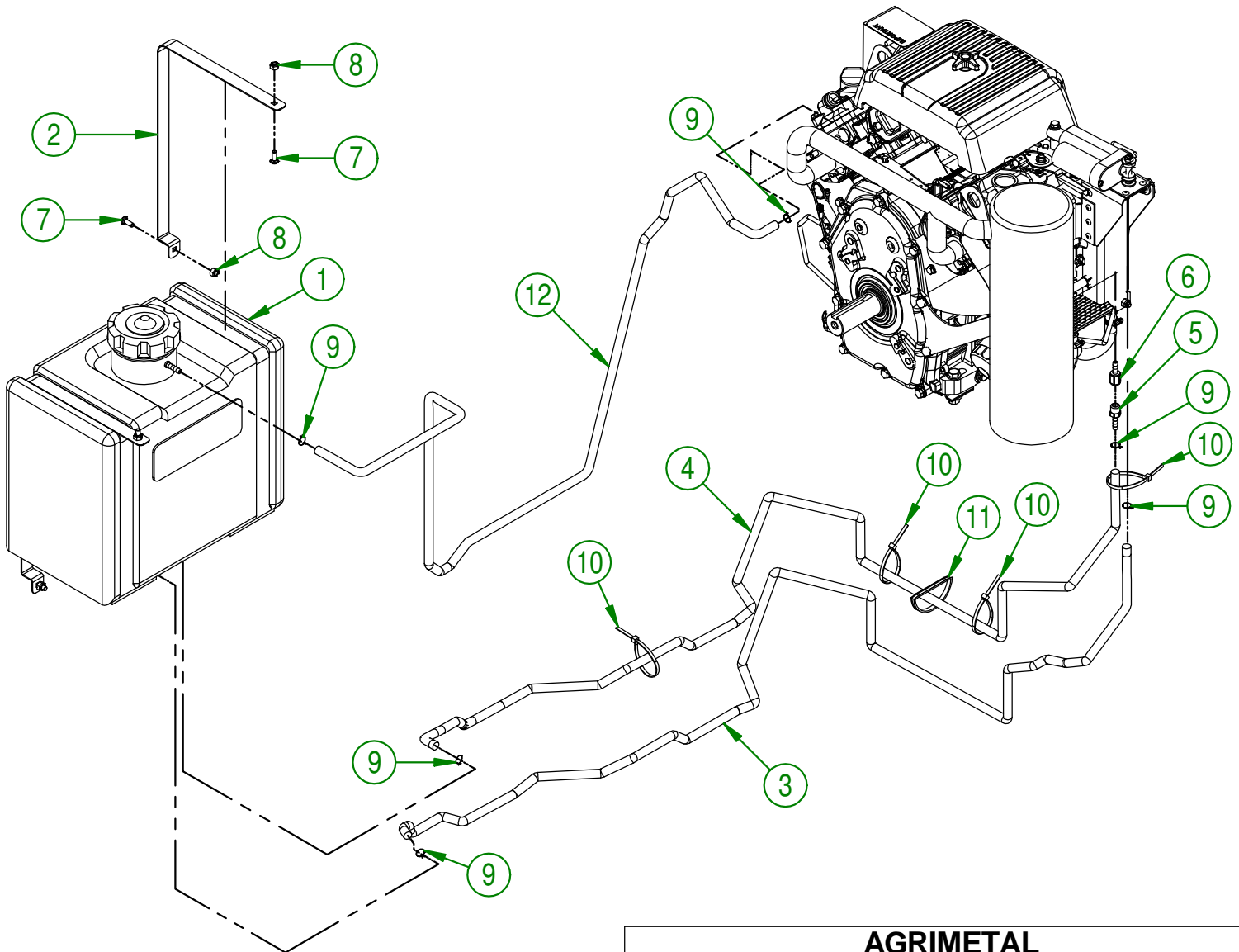
## 33-99-2500

| #  | PART #       | Qty | TITLE                                      |
|----|--------------|-----|--|
| 1  | 25-55-0710   | 1   | SERIAL NUMBER PLATE                        |
| 2  | 33-55-0125   | 2   | ASSEMBLY WHEEL 18X9.50-8 WITH BALL BEARING |
| 3  | 33-21-0065   | 2   | WHEEL BUSHING                              |
| 4  | 01-01-1660   | 2   | WASHER SPACER                              |
| 5  | NC02-32-0014 | 2   | LOCK WASHER ZINC 1/2"                      |
| 6  | NC01-17-0248 | 2   | HEX. BOLT GR2 ZINC 1/2-13 X 1 1/4"         |
| 7  | 33-50-2535   | 1   | WELD ASSEMBLY GUARD                        |
| 8  | NC01-17-0112 | 4   | HEX. BOLT GR2 ZINC 3/8-16 X 3/4"           |
| 9  | 01-01-2485   | 4   | FLAT WASHER 14 GA X 13/16"OD X 25/64" ID   |
| 10 | NC02-32-0012 | 4   | LOCK WASHER ZINC 3/8"                      |
| 11 | 33-55-0040   | 1   | HITCH ASSEMBLY                             |
| 12 | 33-42-0005   | 1   | 90° PLASTIC ELBOW                          |
| 13 | 33-01-2480   | 4   | DUCT CLAMP                                 |
| 14 | NC01-04-0005 | 8   | CARR. BOLT GR2 ZINC 1/4-20 X 1"            |
| 15 | NC01-96-0009 | 8   | NYLON-INSERT LOCKNUT ZINC 1/4-20           |

## 33-55-0125

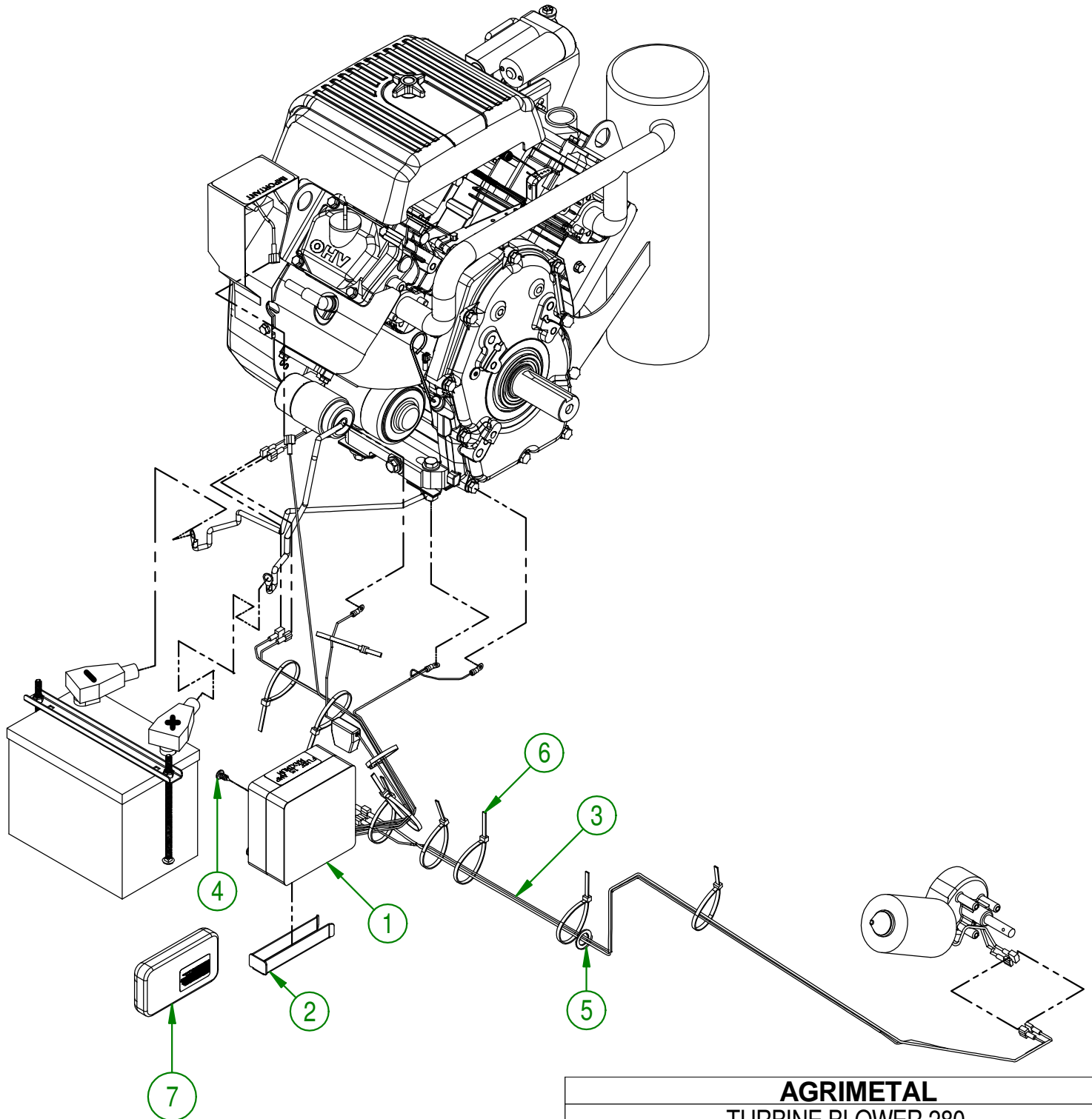
| #  | PART #       | Qty | TITLE                     |
|----|--------------|-----|---------------------------|
| 16 | NC14-70-0320 | 1   | RIM FOR NC14-70-0317      |
| 17 | NC14-55-0330 | 2   | 6205-2RSI BEARING         |
| 18 | NC14-70-0322 | 1   | VALVE FOR NC14-70-0317    |
| 19 | NC14-70-0319 | 1   | WHEEL 18X9.50-8 (TURBINE) |

| #  | PART #       | Qty | TITLE   |
|----|--------------|-----|---|
| 1  | 33-55-2550   | 1   | GAS TANK  |
| 2  | 33-01-3045   | 2   | GAS TANK STRAP                                  |
| 3  | 33-46-0528   | 1   | GAS HOSE 1/2" DIA.X 1/4" D.I. X 50"             |
| 4  | 33-46-0529   | 1   | GAS HOSE (RETURN) 1/2" DIA.X 1/4" D.I. X 48" LG |
| 5  | NC13-65-0061 | 1   | BARBILLON HOSE 1/4 OD X 1/4 NPT MALE            |
| 6  | NC13-65-0062 | 1   | BARBILLON HOSE 3/16 OD X 1/4 NPT FEMALE         |
| 7  | NC01-04-0002 | 4   | CARR. BOLT GR2 ZINC 1/4-20 X 5/8"               |
| 8  | NC01-96-0009 | 4   | NYLON-INSERT LOCKNUT ZINC 1/4-20                |
| 9  | NC01-65-0201 | 6   | SPRING -GRIP HOSE CLAMPS 1/2" O.D               |
| 10 | NC13-25-0019 | 4   | BLACK TIE RAP                                   |
| 11 | 33-46-3750   | 1   | PLASTIC PROTECTION EDGE AND METAL REINFORCEMENT |
| 12 | 33-46-0543   | 1   | GAS HOSE EPA 1/2" DIA.X 1/4" D.I. X 71"         |



|                           |                                 |
|---------------------------|---------------------------------|
| <b>AGRIMETAL</b>          |                                 |
| <b>TURBINE BLOWER 280</b> |                                 |
| CREATION : 08/11/17       | ASSEMBLY : <b>33-99-2500</b>    |
| REVISION : 12/10/18       | AUTHOR : J.KABWE   Page 3 de 17 |

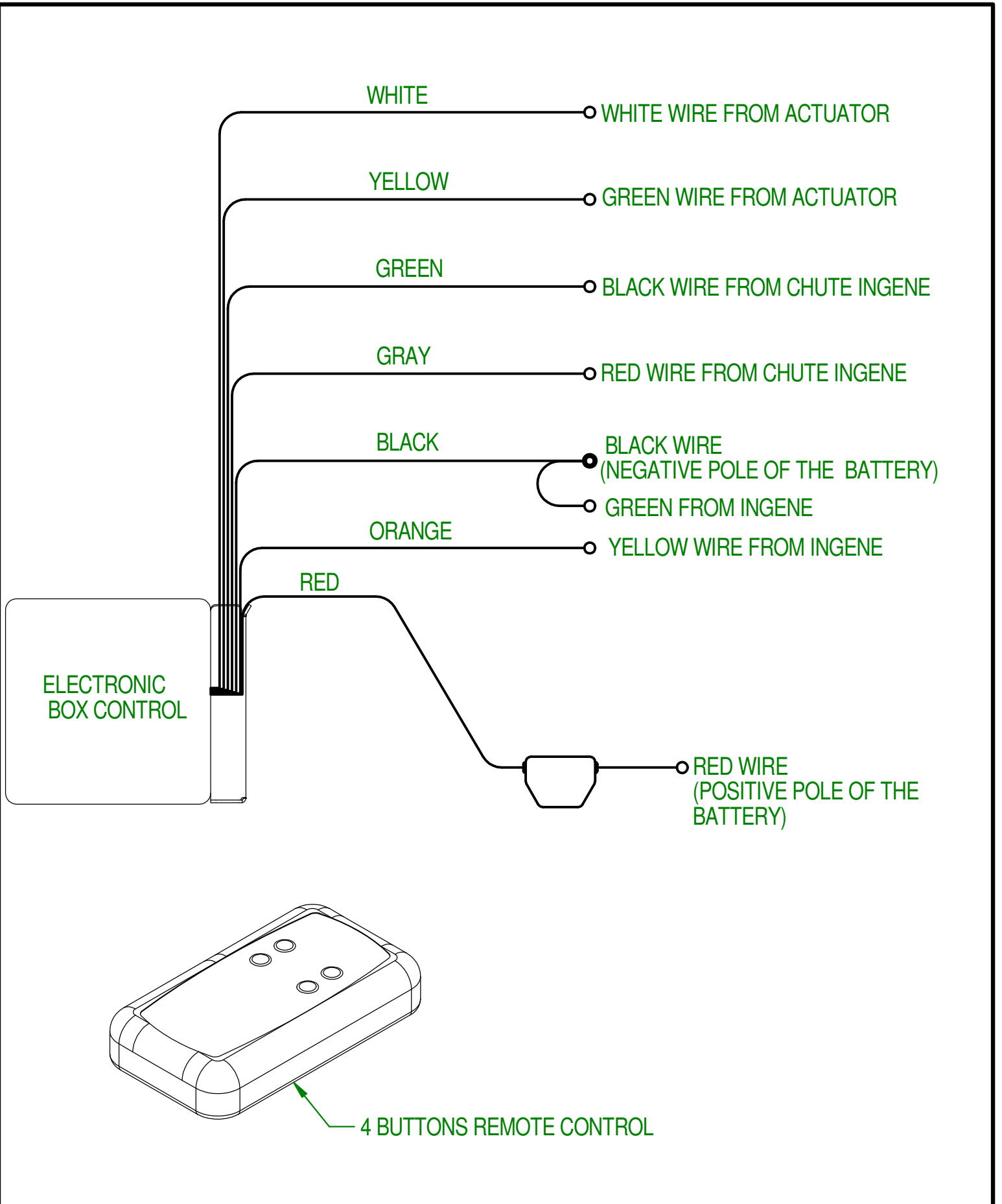
| # | PART #       | Qty | TITLE  |
|---|--------------|-----|--|
| 1 | NC13-25-0369 | 1   | ELECTRIC BOX TB 280                                  |
| 2 | 33-22-2240   | 1   | WIRE PROTECTOR                                       |
| 3 | NC13-25-0374 | 1   | WIRE 46"(NEW BOX)                                    |
| 4 | NC02-42-0096 | 4   | PHILLIPS SCREW ZINC #14 X 5/8"                       |
| 5 | NC13-15-0055 | 1   | INSULATING ROLLED COLLAR 7/16"ID X 15/16"OD X 5/16"T |
| 6 | NC13-25-0019 | 10  | BLACK TIE RAP  |
| 7 | 33-57-0076   | 1   | REMOTE CONTROL GROUP.                                |



**AGRIMETAL**  
TURBINE BLOWER 280

CREATION : 08/11/17  
REVISION : 12/10/18

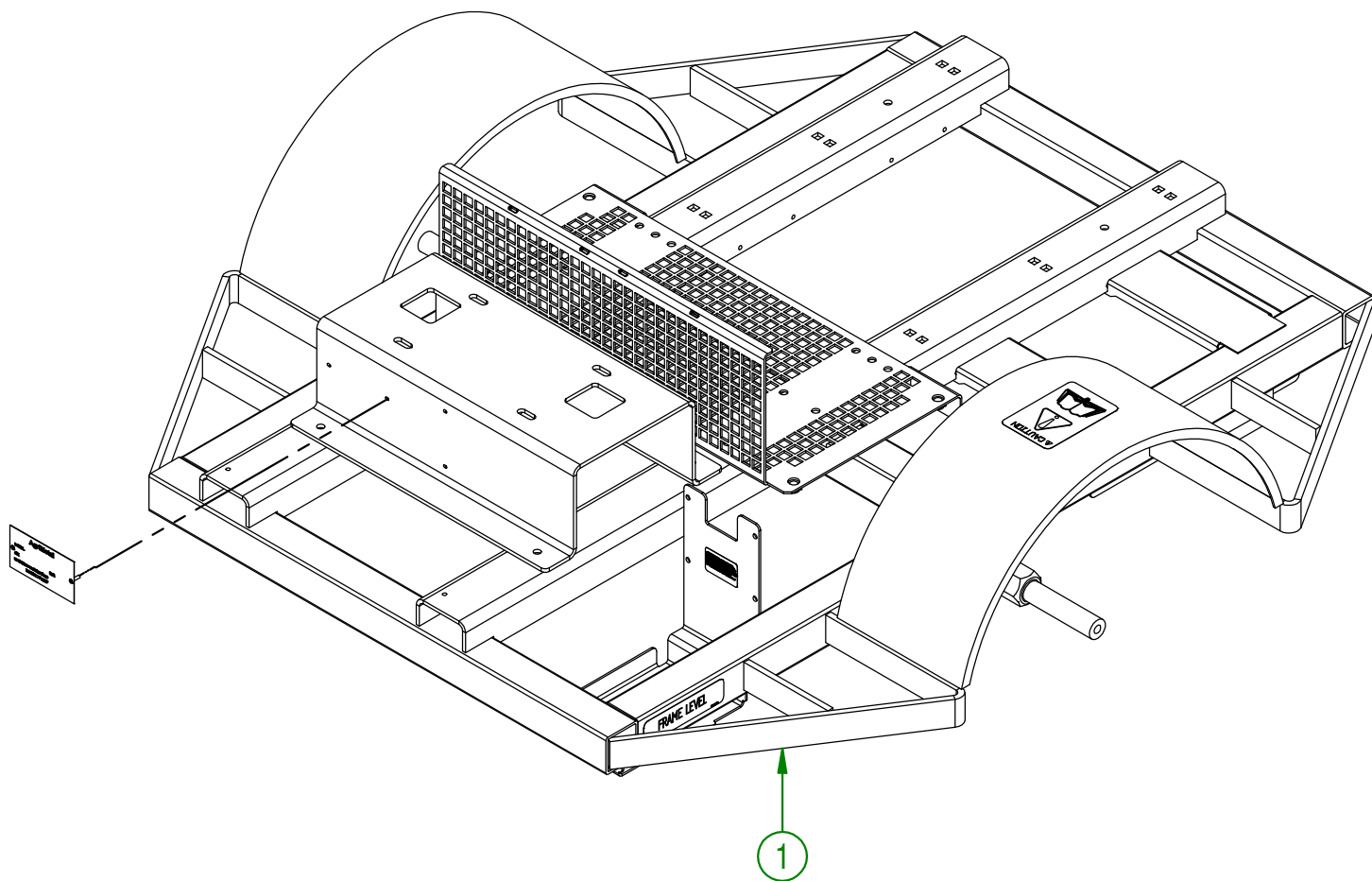
ASSEMBLY : **33-99-2500**  
AUTHOR : J.KABWE



|                                 |                                 |
|---------------------------------|---------------------------------|
| <b>AGRIMETAL</b>                |                                 |
| ASSEMBLY ELECTRONIC CONTROL BOX |                                 |
| CREATION : 08/11/17             | ASSEMBLY : <b>33-57-2506</b>    |
| REVISION : 15/10/18             | AUTHOR : J.KABWE   Page 5 de 17 |

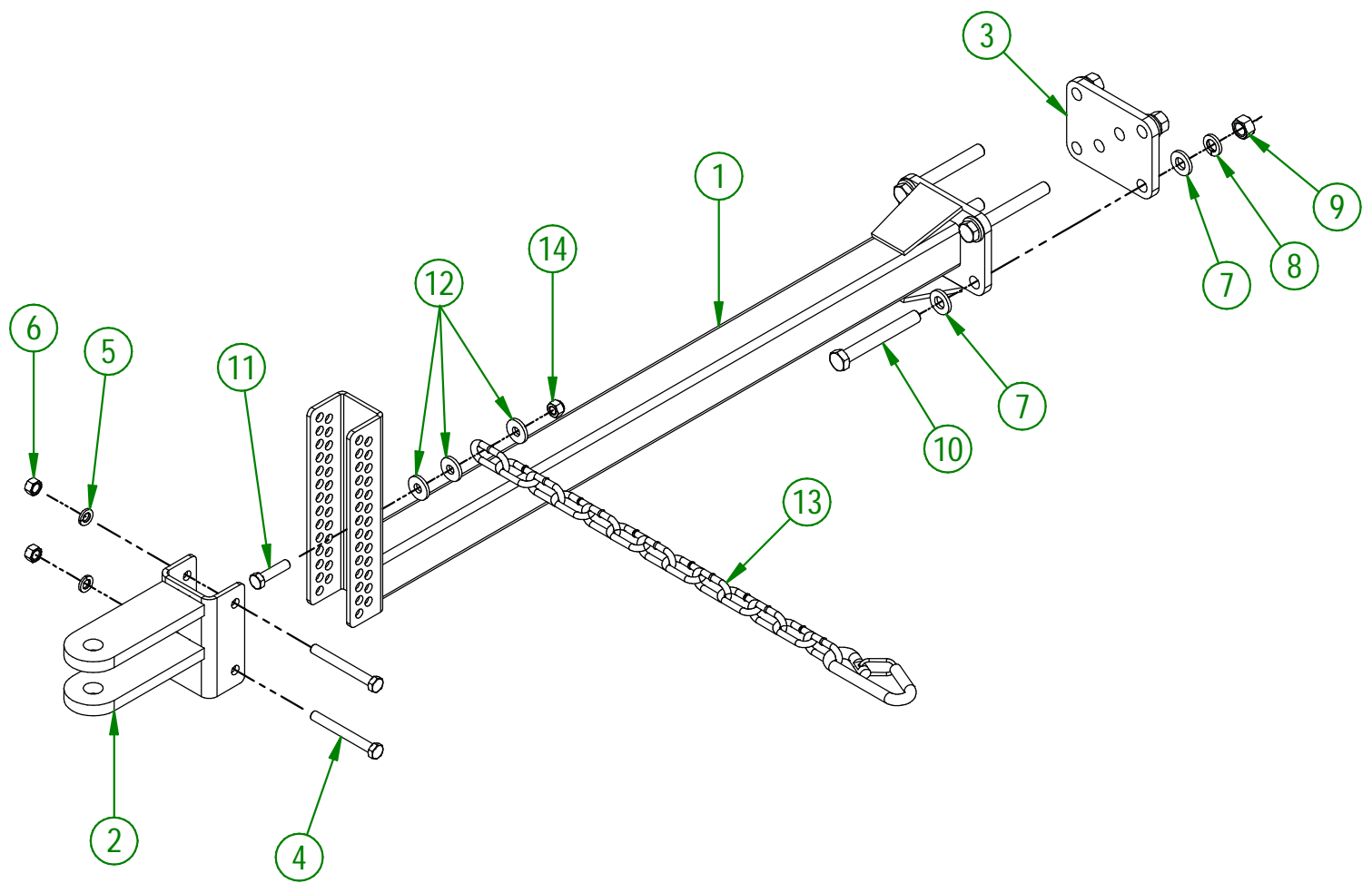
33-57-2500

| # | PART #     | Qty | TITLE          |
|---|------------|-----|----------------|
| 1 | 33-50-2500 | 1   | FRAME (TB-280) |



|                                 |                               |
|---------------------------------|-------------------------------|
| <b>AGRIMETAL</b>                |                               |
| ASSEMBLY FRAME STICKER INCLUDED |                               |
| CREATION : 14/11/17             | ASSEMBLY : <b>33-57-2500</b>  |
| REVISION : 08/01/18             | AUTHOR : J.KABWE Page 6 de 17 |

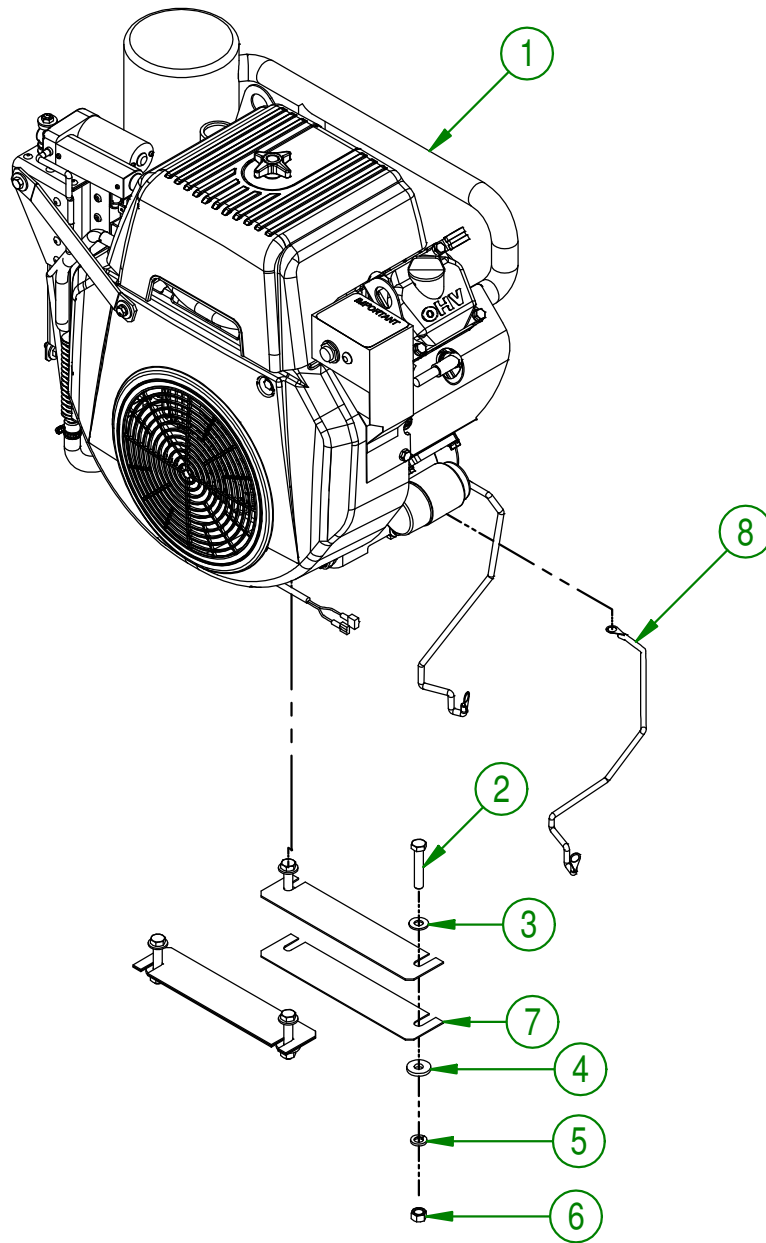
| #  | PART #       | Qty | TITLE                                |
|----|--------------|-----|--------------------------------------|
| 1  | 33-50-0010   | 1   | DRAW BAR                             |
| 2  | 33-50-0055   | 1   | WELD ASSEMBLY HAND                   |
| 3  | 33-04-0605   | 1   | HITCH PLATE                          |
| 4  | NC01-17-0123 | 2   | HEX. BOLT GR2 ZINC 3/8-16            |
| 5  | NC02-32-0012 | 2   | LOCK WASHER ZINC 3/8"                |
| 6  | NC02-07-0018 | 2   | HEX. NUT ZINC 3/8-16                 |
| 7  | 01-01-0925   | 8   | WASHER                               |
| 8  | NC02-32-0014 | 4   | LOCK WASHER ZINC 1/2"                |
| 9  | NC02-07-0020 | 4   | HEX. NUT ZINC 1/2-13                 |
| 10 | NC01-17-0259 | 4   | HEX. BOLT GR2 ZINC 1/2-13 X 4"       |
| 11 | NC01-17-0116 | 1   | HEX. BOLT GR2 ZINC 3/8-16 X 1 1/2"   |
| 12 | 21-01-0950   | 3   | FLAT WASHER 10GA 1.005" DIA X 25/64" |
| 13 | 55-41-0000   | 1   | SAFETY CHAIN                         |
| 14 | NC01-96-0011 | 1   | NYLON NUT 3/8-16                     |



|                       |                              |
|-----------------------|------------------------------|
| <b>AGRIMETAL</b>      |                              |
| <b>HITCH ASSEMBLY</b> |                              |
| CREATION : 27/10/17   | ASSEMBLY : <b>33-55-0040</b> |
| REVISION : 24/02/22   | AUTHOR : J.KABWE             |

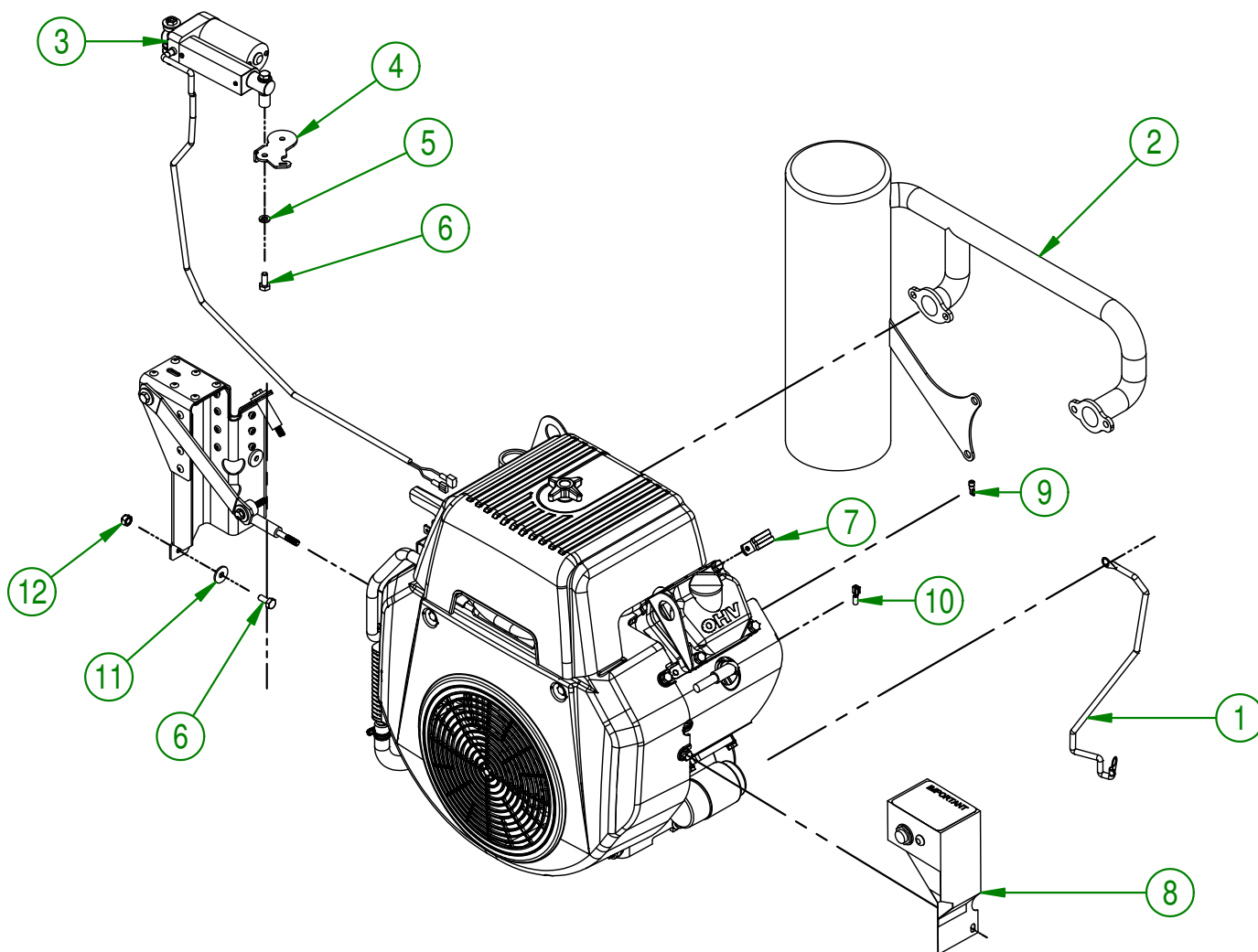


| # | PART #       | Qty | TITLE                                |
|---|--------------|-----|--------------------------------------|
| 1 | 33-55-2530   | 1   | ASSEMBLY SUBARU ENGINE               |
| 2 | NC01-17-0118 | 4   | HEX. BOLT GR2 ZINC 3/8-16 X 2"       |
| 3 | 01-01-2485   | 4   | FLAT WASHER                          |
| 4 | 21-01-0950   | 4   | FLAT WASHER 10GA 1.005" DIA X 25/64" |
| 5 | NC02-32-0012 | 4   | LOCK WASHER ZINC 3/8"                |
| 6 | NC02-07-0018 | 4   | HEX. NUT ZINC 3/8-16                 |
| 7 | 33-22-4615   | 4   | SHIM                                 |
| 8 | 33-55-2500   | 1   | ASSEMBLY BATTERY BLACK CABLE #4      |



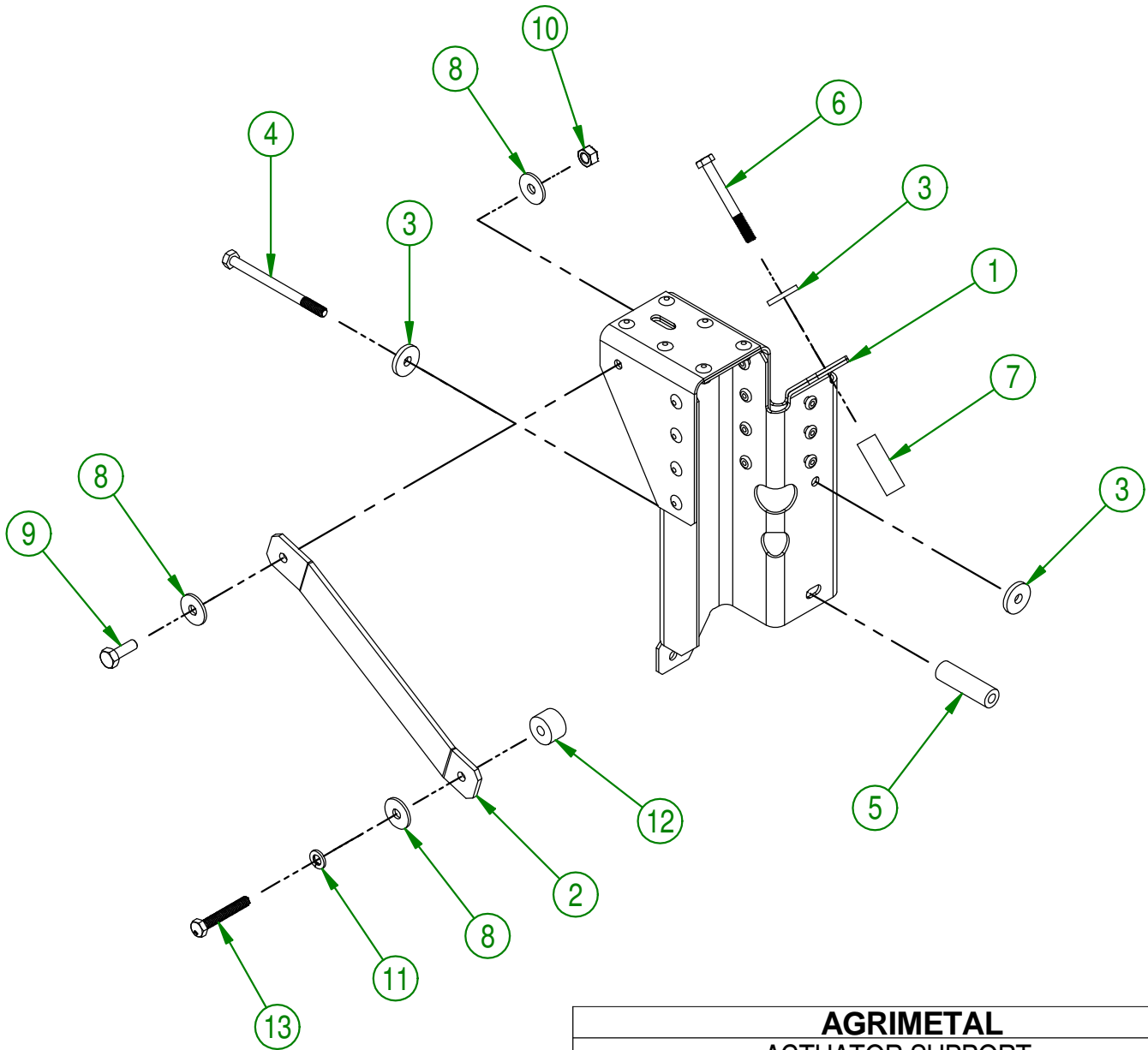
|                                     |                                 |
|-------------------------------------|---------------------------------|
| <b>AGRIMETAL</b>                    |                                 |
| <b>ASSEMBLY SUBARU ENGINE 28 HP</b> |                                 |
| CREATION : 07/11/17                 | ASSEMBLY : <b>33-57-2540</b>    |
| REVISION : 08/01/18                 | AUTHOR : J.KABWE   Page 8 de 17 |

| #  | PART #       | Qty | TITLE                            |
|----|--------------|-----|----------------------------------|
| 1  | 33-55-1505   | 1   | ASSEMBLY BATTERY RED CABLE #4    |
| 2  | NC13-37-0636 | 1   | EXHAUST                          |
| 3  | 33-55-2605   | 1   | ASSEMBLY ACTUATOR 12 VOLTS       |
| 4  | 33-01-7610   | 1   | GAS CONTROL LEVER                |
| 5  | NC02-32-0010 | 1   | LOCK WASHER ZINC 1/4"            |
| 6  | NC01-37-0003 | 2   | HEX. BOLT GR8 1/4-28 X 5/8"      |
| 7  | NC13-25-0110 | 1   | SNUG-FIT DAMPING LOOP CLAMP      |
| 8  | NC13-37-0637 | 1   | CONTROL PANEL                    |
| 9  | NC13-25-0308 | 1   | NON-ISOLATED MALE TERMINAL       |
| 10 | NC13-25-0382 | 1   | FEMALE TERMINAL                  |
| 11 | 36-01-2430   | 1   | WASHER                           |
| 12 | NC01-97-0004 | 1   | NYLON-INSERT LOCKNUT ZINC 1/4-28 |



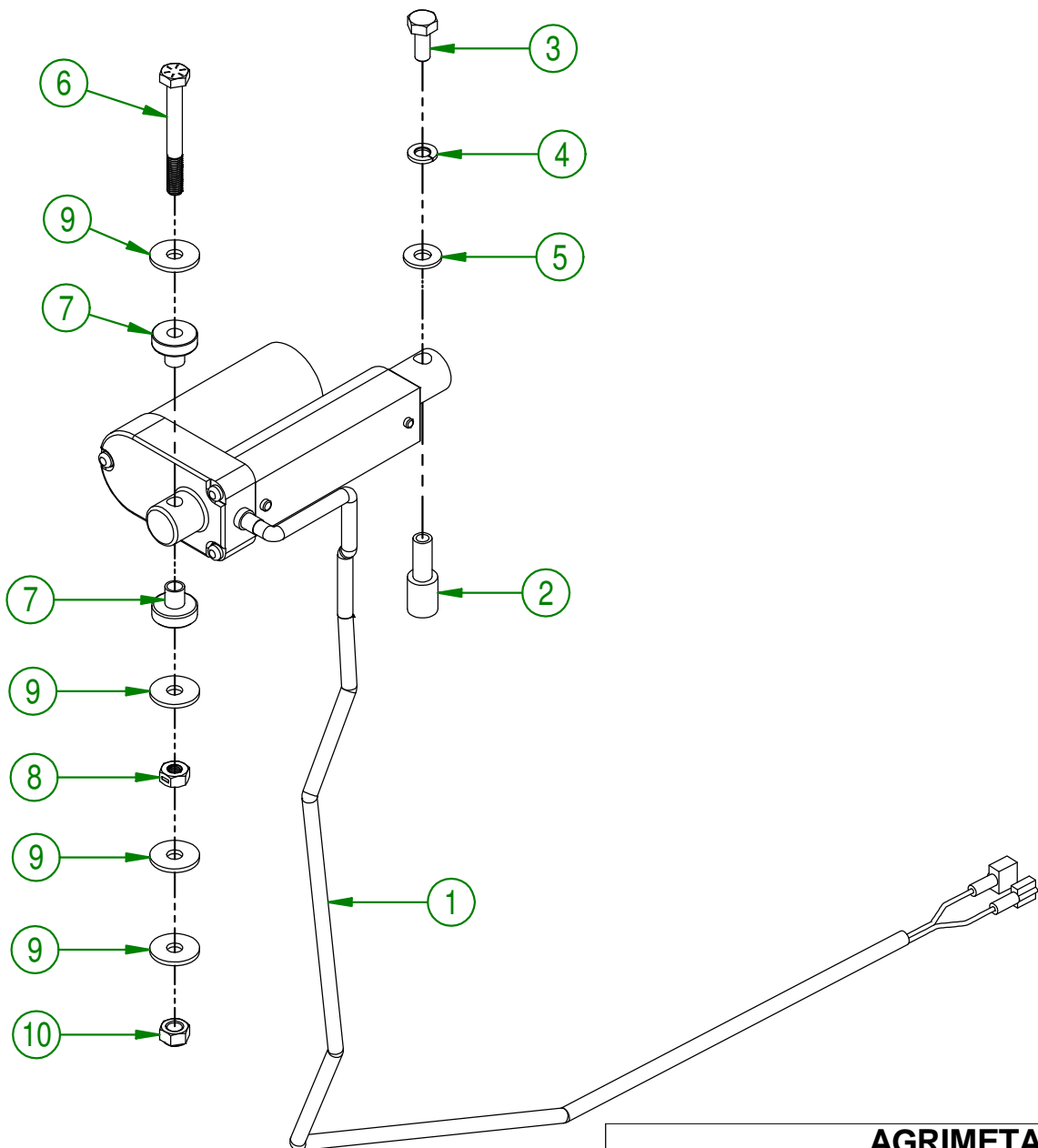
|                               |                                  |
|-------------------------------|----------------------------------|
| <b>AGRIMETAL</b>              |                                  |
| <b>ASSEMBLY SUBARU ENGINE</b> |                                  |
| CREATION : 07/11/17           | ASSEMBLY : <b>33-55-2530</b>     |
| REVISION : 29/08/19           | AUTHOR : Production Page 9 de 17 |

| #  | PART #       | Qty | TITLE                               |
|----|--------------|-----|-------------------------------------|
| 1  | 33-55-2575   | 1   | ACTUATOR SUPPORT                    |
| 2  | 33-01-1025   | 1   | ACTUATOR SUPPORT REINFORCEMENT      |
| 3  | 33-01-1520   | 3   | WASHER                              |
| 4  | NC01-45-0127 | 1   | CAP SCREW GR8.8 NC ZINC 6mm X 80 mm |
| 5  | 33-21-0090   | 1   | ACTUATOR SUPPORT BUSHING            |
| 6  | NC01-45-0122 | 1   | CAP SCREW GR8.8 NC ZINC 6mm X 55 mm |
| 7  | 33-21-0093   | 1   | ACTUATOR SUPPORT BUSHING            |
| 8  | 36-01-2430   | 3   | WASHER                              |
| 9  | NC01-37-0004 | 1   | HEX. BOLT GR2 ZINC 1/4-28 X 3/4"    |
| 10 | NC01-97-0004 | 1   | NYLON-INSERT LOCKNUT ZINC 1/4-28    |
| 11 | NC02-32-0010 | 1   | LOCK WASHER ZINC 1/4"               |
| 12 | 33-21-0095   | 1   | ACTUATOR SUPPORT BUSHING            |
| 13 | NC01-45-0119 | 1   | CAP SCREW GR8.8 NC ZINC 6mm X 40 mm |



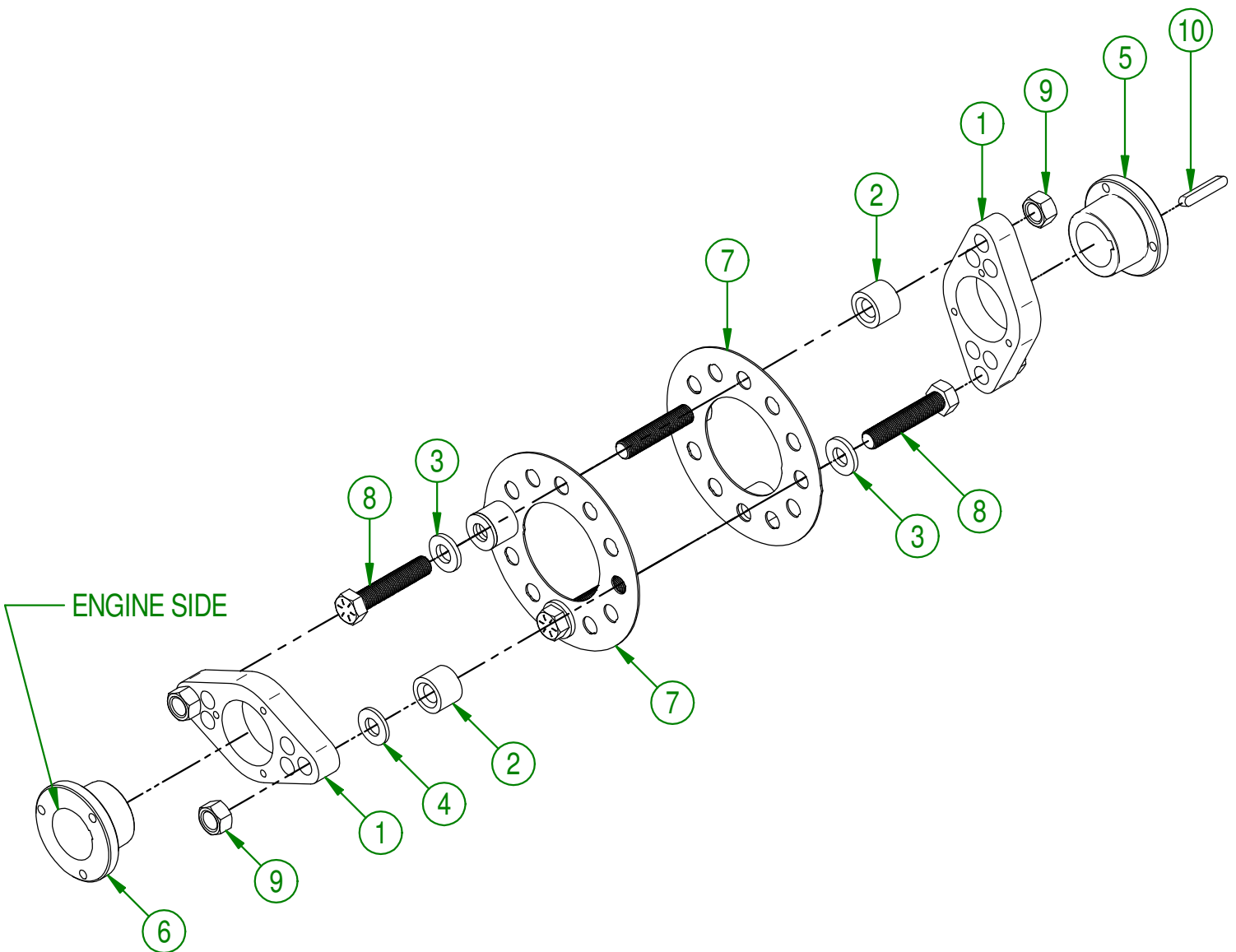
|                         |                                 |
|-------------------------|---------------------------------|
| <b>AGRIMETAL</b>        |                                 |
| <b>ACTUATOR SUPPORT</b> |                                 |
| CREATION : 13/12/16     | ASSEMBLY : <b>33-57-2602</b>    |
| REVISION : 14/11/17     | AUTHOR : J. HOULE Page 10 de 17 |

| #  | PART #       | Qty | TITLE                            |
|----|--------------|-----|----------------------------------|
| 1  | 33-55-0100   | 1   | ACTUATOR 12 VOLTS                |
| 2  | 33-13-0612   | 1   | ROD END ACTUATOR                 |
| 3  | NC01-37-0003 | 1   | HEX. BOLT GR8 1/4-28 X 5/8"      |
| 4  | NC02-32-0010 | 1   | LOCK WASHER ZINC 1/4"            |
| 5  | NC02-25-0007 | 1   | WASHER ZINC 0.281 = 9/32         |
| 6  | NC01-37-0011 | 1   | HEX. BOLT GR8 1/4-28 X 2 1/4     |
| 7  | 33-42-0120   | 2   | PIVOT BUSHING                    |
| 8  | NC02-14-1200 | 1   | TWO WAY LOCK NUT 1/4-28          |
| 9  | 36-01-2430   | 4   | WASHER                           |
| 10 | NC01-97-0004 | 1   | NYLON-INSERT LOCKNUT ZINC 1/4-28 |



|                                   |                                  |
|-----------------------------------|----------------------------------|
| <b>AGRIMETAL</b>                  |                                  |
| <b>ASSEMBLY ACTUATOR 12 VOLTS</b> |                                  |
| CREATION : 15/07/16               | ASSEMBLY : <b>33-55-2605</b>     |
| REVISION : 24/01/18               | AUTHOR : J.KABWE   Page 11 de 17 |

| #  | PART #       | Qty | TITLE                              |
|----|--------------|-----|------------------------------------|
| 1  | 33-04-1600   | 2   | FLANGE                             |
| 2  | 33-21-0055   | 4   | SLEEVE                             |
| 3  | 01-01-0925   | 4   | WASHER                             |
| 4  | 33-01-7570   | 2   | WASHER                             |
| 5  | NC14-62-0016 | 1   | QD BUSHING SH I 1/4"               |
| 6  | NC14-62-0211 | 1   | QD BUSHING SH I 7/16"              |
| 7  | 33-20-0152   | 2   | SPACER                             |
| 8  | NC01-37-0253 | 4   | HEX. BOLT GR8 ZINC 1/2-20 X 2 1/2" |
| 9  | NC01-94-0013 | 4   | NYLON NUT ZINC 1/2-20"             |
| 10 | NC01-65-0087 | 1   | KEY 1/4 X 1/4 X 1 1/2"             |

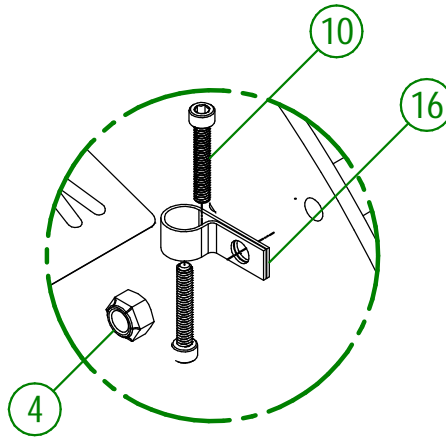
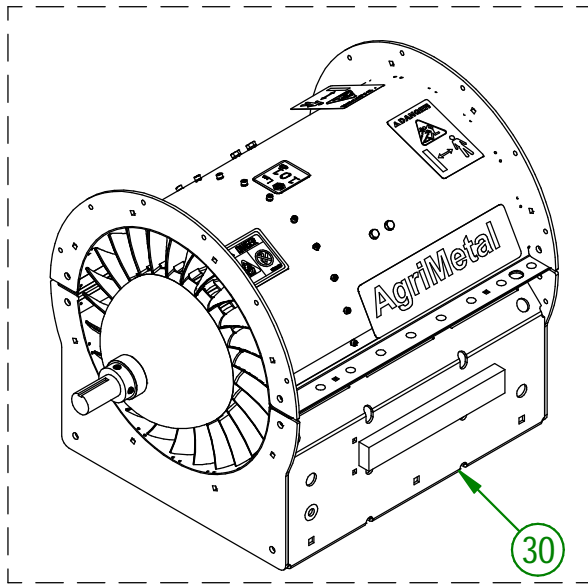


**AGRIMETAL**  
**COUPLING ASSEMBLY**

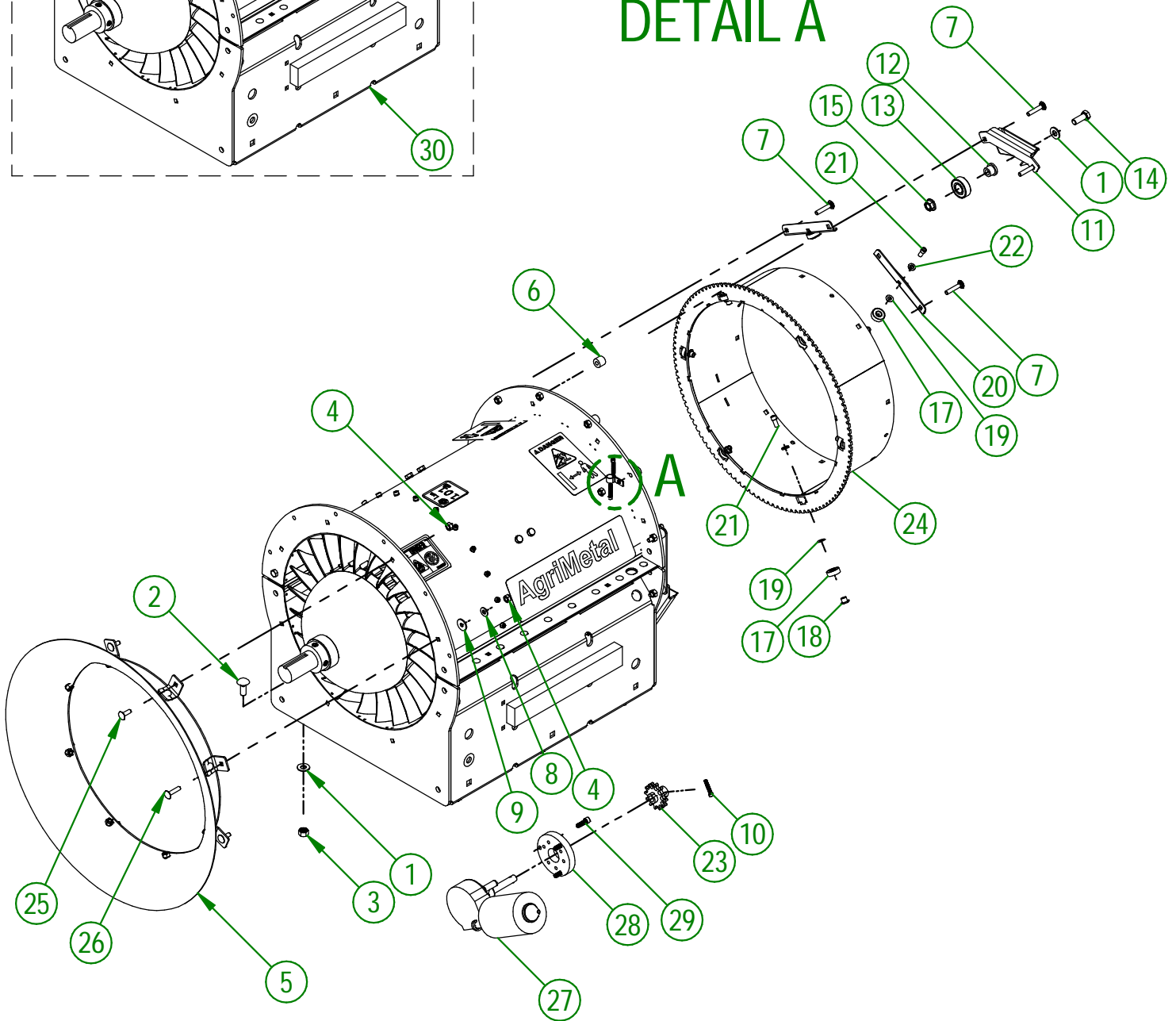
CREATION : 03/11/17  
 REVISION : 05/10/18

ASSEMBLY : **33-57-0046**

AUTHOR : J.KABWE Page 12 de 17



## DETAIL A

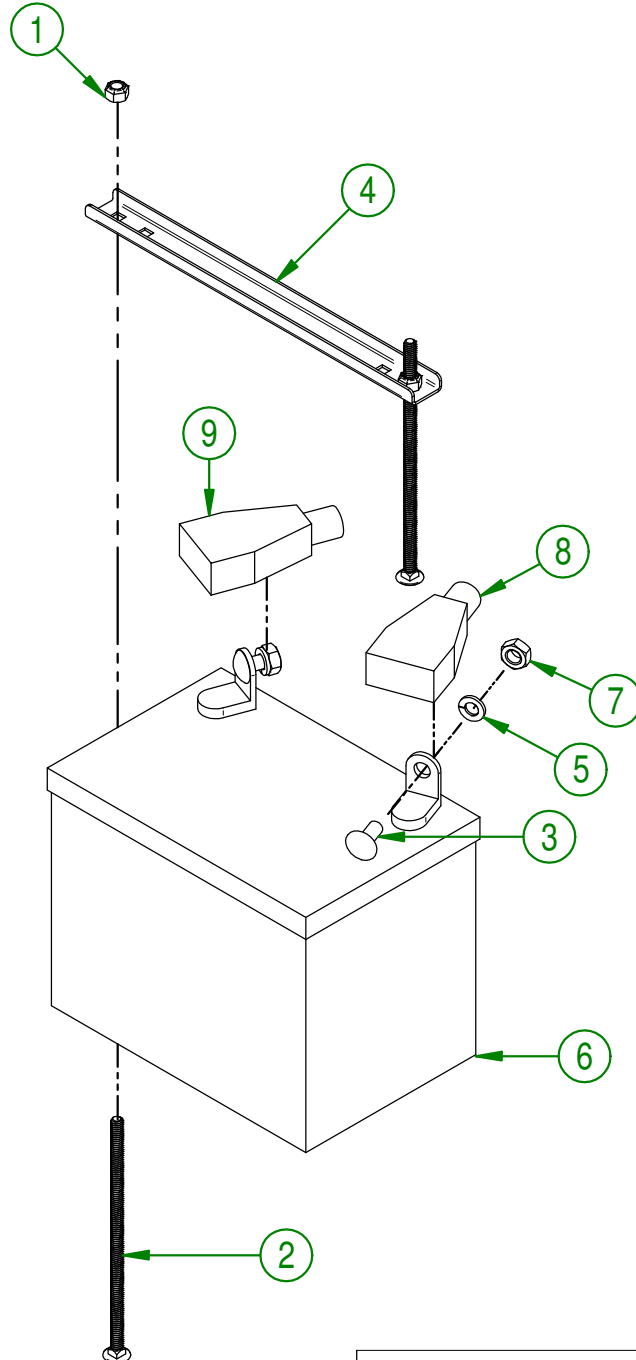


|                                |                              |
|--------------------------------|------------------------------|
| <b>AGRIMETAL</b>               |                              |
| <b>REGROUP. TURBINE BLOWER</b> |                              |
| CREATION : 21/06/24            | ASSEMBLY : <b>33-57-0080</b> |
| REVISION : 21/06/24            | AUTHOR : D. CHASSÉ           |

## 33-57-0080

| #  | PART #       | QTY | TITLE   |
|----|--------------|-----|---|
| 1  | 01-01-2485   | 9   | FLAT WASHER 14 GA X 13/16"OD X 25/64" ID          |
| 2  | NC01-04-0109 | 6   | CARR. BOLT GR2 ZINC 3/8-16 X 1"                   |
| 3  | NC01-93-0011 | 6   | LOCK NUT 3/8-16                                   |
| 4  | NC01-96-0009 | 41  | NYLON-INSERT LOCKNUT ZINC 1/4-20                  |
| 5  | 33-55-0085   | 1   | AIR INTAKE ASSY.                                  |
| 6  | 33-21-0080   | 12  | SPACER  |
| 7  | NC01-04-0006 | 12  | CARR. BOLT GR2 ZINC 1/4-20 X 1 1/4"               |
| 8  | NC02-25-0007 | 2   | WASHER ZINC 0.281 = 9/32                          |
| 9  | 36-01-2430   | 3   | FLAT WASHER 14GA X 17/64" I.D. X 13/16" O.D.      |
| 10 | NC02-50-0069 | 3   | SOCKET CAP SCREW T.RON 8-32 X 1"                  |
| 11 | 33-50-0555   | 3   | WELD ASSEMBLY BEARING SUPPORT                     |
| 12 | 33-21-0060   | 3   | BEARING HOLDER                                    |
| 13 | NC14-75-0068 | 3   | BALL BEARING 99502H                               |
| 14 | NC01-17-0114 | 3   | HEX. BOLT GR2 ZINC 3/8-16 X 1"                    |
| 15 | NC02-14-0019 | 3   | FLANGE NUT HEX. NC 3/8-16 GR. B                   |
| 16 | NC13-25-0233 | 1   | VINYLE PROTECTOR COLLAR                           |
| 17 | NC14-75-0153 | 12  | BALL BEARING R6 2RS 3/8" X 7/8" X 0.281"          |
| 18 | 33-25-2410   | 12  | BEARING BUSHING                                   |
| 19 | 33-03-4605   | 12  | BEARING SHIM 1/4" ALUMINUM                        |
| 20 | 33-01-2425   | 6   | BEARING HOLDER BRACKET                            |
| 21 | NC02-51-0578 | 12  | SOCKET CAP SCREW T.RON. NF 1/4-28 X 1/2 STAINLESS |
| 22 | NC02-32-0010 | 12  | LOCK WASHER ZINC 1/4"                             |
| 23 | 33-55-0035   | 1   | GEARED CROWN SPROCKET                             |
| 24 | 33-50-0018   | 1   | DUCT COLECTOR                                     |
| 25 | NC01-04-0003 | 6   | CARR. BOLT GR2 ZINC 1/4-20 X 3/4"                 |
| 26 | NC01-04-0005 | 2   | CARR. BOLT GR2 ZINC 1/4-20 X 1"                   |
| 27 | 33-35-0005   | 1   | OUTLET MOTOR                                      |
| 28 | 33-21-0100   | 1   | ENGINE CONVERSION PLATE                           |
| 29 | NC02-50-1072 | 3   | SOCKET CAP SCREW M6 X 20mm                        |
| 30 | 33-57-0020   | 1   | REGROUP. ENSEMBLE DE TURBINE (NEUF)               |

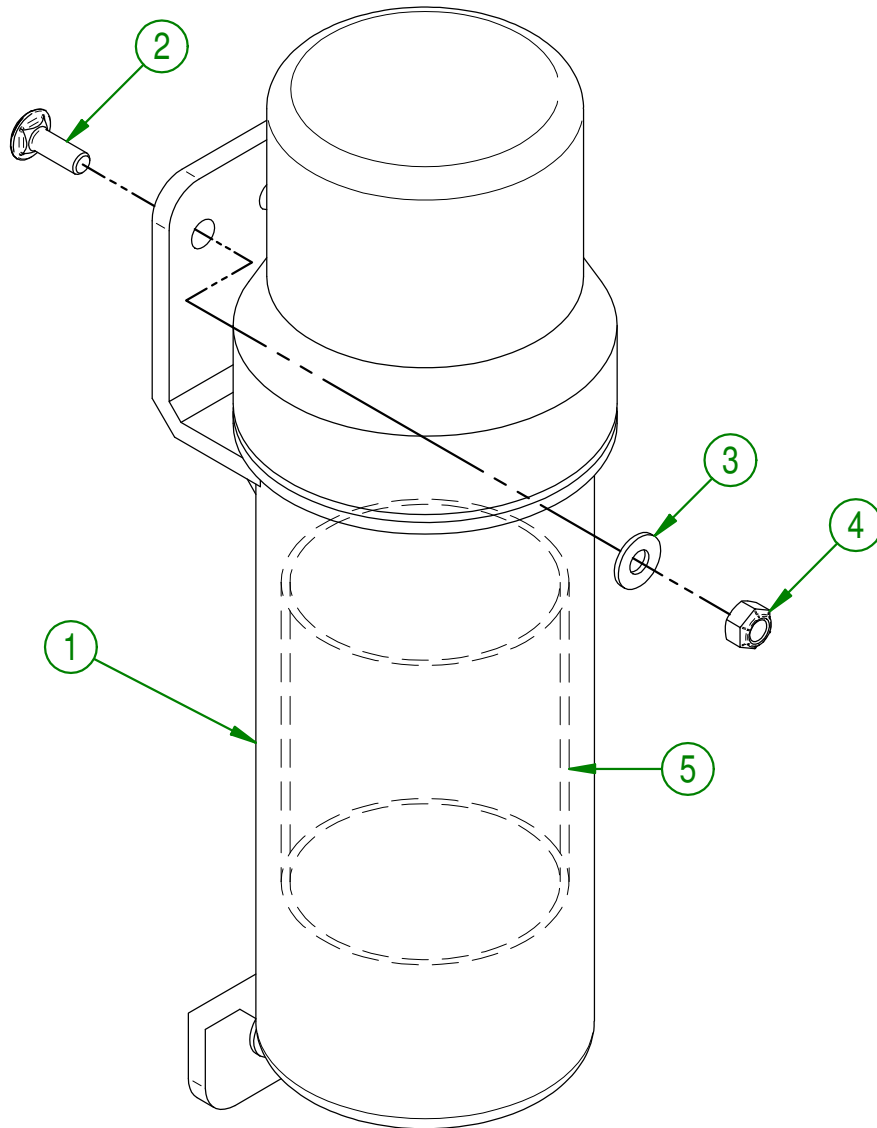
| # | PART #       | Qty | TITLE                            |
|---|--------------|-----|----------------------------------|
| 1 | NC01-96-0009 | 2   | NYLON-INSERT LOCKNUT ZINC 1/4-20 |
| 2 | NC01-04-0027 | 2   | CARR. BOLT 1/4-20 X 6" LG        |
| 3 | NC01-04-0056 | 2   | CARR. BOLT 5/16-18 X3/4"         |
| 4 | 33-01-3015   | 1   | BATTERY STRAPE                   |
| 5 | NC02-32-0011 | 2   | LOCK WASHER ZINC 5/16"           |
| 6 | NCI3-12-0001 | 1   | 12 VOLTS BATTERY                 |
| 7 | NC02-07-0017 | 2   | HEX. NUT 5/16-18                 |
| 8 | NCI3-80-0267 | 1   | RED PROTECTOR FOR BATTERY POST   |
| 9 | NCI3-80-0268 | 1   | BLACK PROTECTOR FOR BATTERY POST |



|                                |                                |
|--------------------------------|--------------------------------|
| <b>AGRIMETAL</b>               |                                |
| <b>12 VOLTS BATTERY GROUP.</b> |                                |
| CREATION : 31/10/17            | ASSEMBLY : <b>33-57-0055</b>   |
| REVISION : 08/01/18            | AUTHOR : J.KABWE Page 15 de 17 |

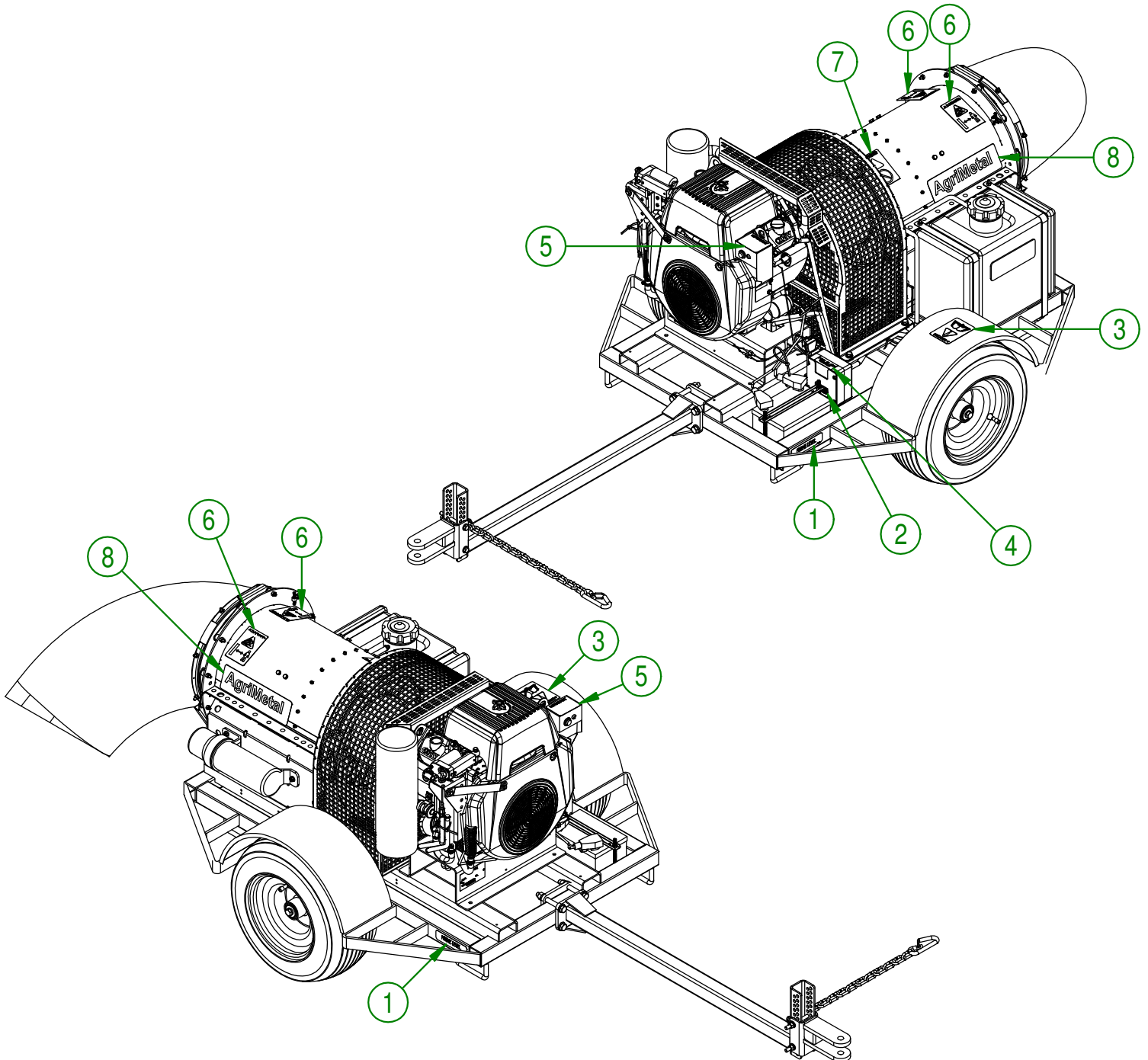


| # | PART #       | Qty | TITLE                              |
|---|--------------|-----|------------------------------------|
| 1 | NCI3-30-0237 | 1   | PLASTIC TUBE FOR OPERATOR'S MANUAL |
| 2 | NC01-04-0003 | 3   | CARR. BOLT GR2 ZINC 1/4-20 X 3/4"  |
| 3 | NC02-25-0007 | 3   | WASHER ZINC 0.281 = 9/32           |
| 4 | NC01-96-0009 | 3   | NYLON-INSERT LOCKNUT ZINC 1/4-20   |
| 5 | 33-98-0620   | 1   | OPERATION MANUAL TB 280 & TB 270   |



|                                      |                                  |
|--------------------------------------|----------------------------------|
| <b>AGRIMETAL</b>                     |                                  |
| <b>OPERATOR MANUEL TUBE ASSEMBLY</b> |                                  |
| CREATION : 27/10/17                  | ASSEMBLY : <b>33-57-2565</b>     |
| REVISION : 08/01/18                  | AUTHOR : J.KABWE   Page 16 de 17 |

| # | PART #       | Qty | TITLE                                       |
|---|--------------|-----|---|
| 1 | NCI3-33-0052 | 2   | STICKER FRAME LEVEL                         |
| 2 | NCI3-33-0251 | 1   | STICKER TO PROGRAM REMOTE CONTROL           |
| 3 | NCI3-33-0183 | 1   | STICKER CAUTION OPERATION MANUAL            |
| 4 | NCI3-33-0227 | 1   | STICKER FUSE 15 AMP MAXIMUM                 |
| 5 | NCI3-33-0178 | 1   | STICKER IMPORTANT PLEASE CHECK OIL LEVEL... |
| 6 | NCI3-33-0192 | 2   | STICKER (PROJECTION RISK)                   |
| 7 | NCI3-33-0185 | 1   | STICKER PICTOGRAM (FIRE + CIGARETTE)        |
| 8 | NCI3-33-0035 | 2   | STICKER AGRIMETAL                           |



**AGRIMETAL**  
TURBINE BLOWER 280

CREATION : 08/11/17  
REVISION : 15/10/18

ASSEMBLY : **33-99-2500**  
AUTHOR : J.KABWE Page 17 de 17