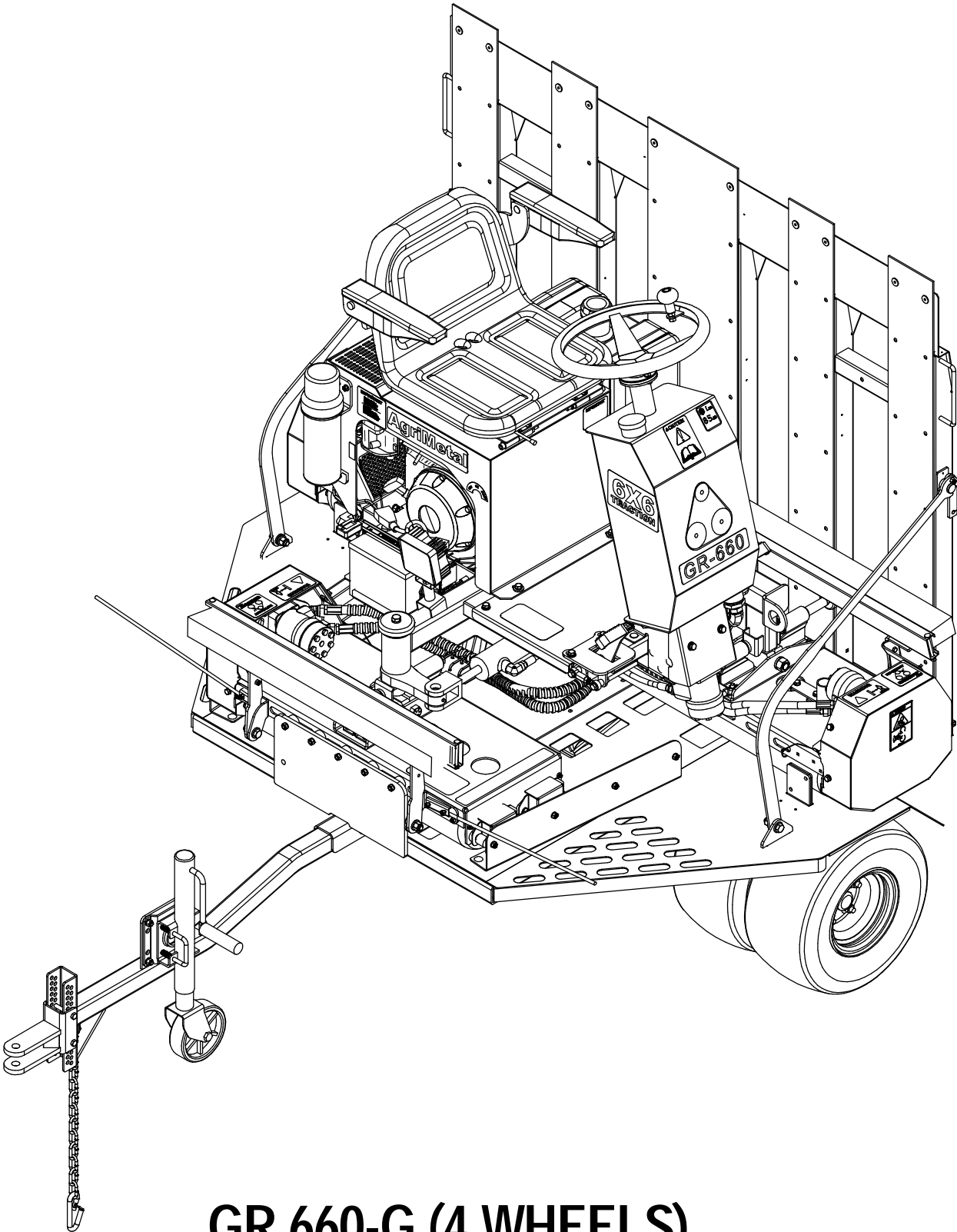
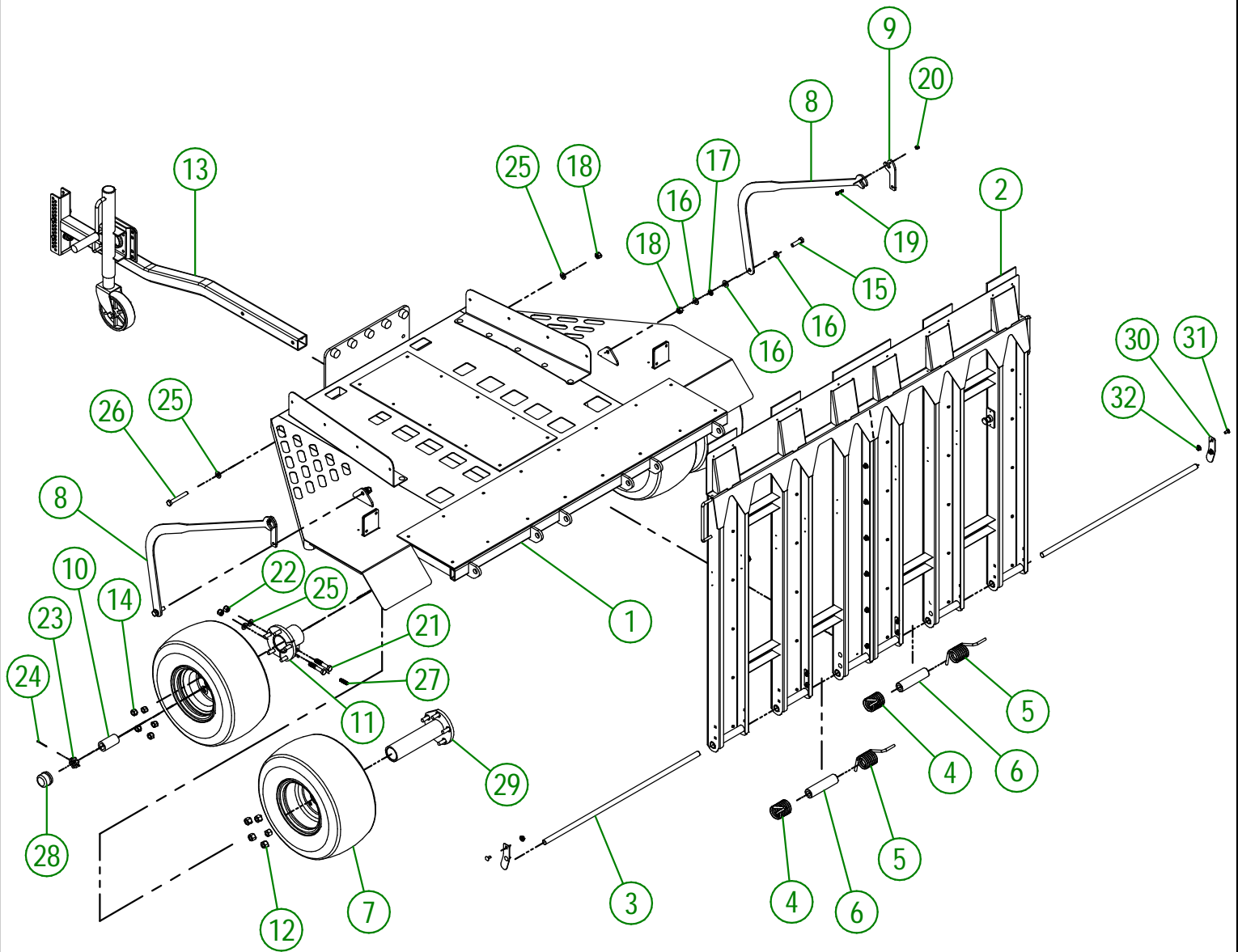


# AgriMetal

## PART LIST



**GR 660-G (4 WHEELS)**



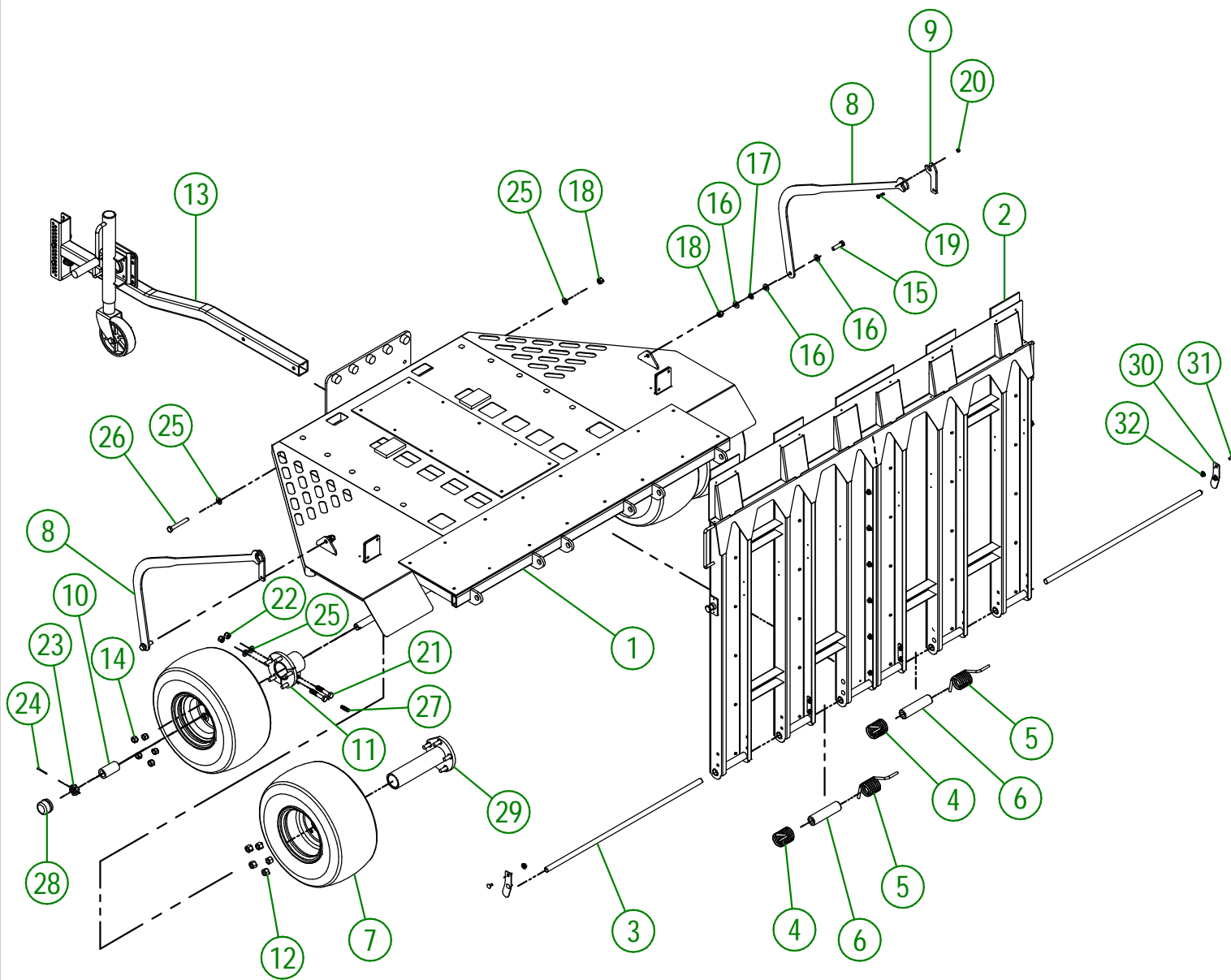
USE THESE PIECES ONLY IF YOUR SERIAL  
NUMBER IS AFFECTED:

BETWEEN # 45185 AND # 45471

<b>AGRIMETAL</b>	
<b>TRAILER (4 WHEELS)</b>	
CREATION : 16/08/23	ASSEMBLY : <b>39-55-0353</b>
REVISION : 13/03/24	AUTHOR : D. CHASSÉ

## 39-55-0353

#	PART #	Qty	TITLE
1	39-57-0351	1	TRAILER (4 WHEELS)
2	39-55-0307	1	PRE-ASS'Y RAMP
3	39-13-1016	2	PIVOT RAMP
4	NC13-85-0054	2	TRAILER RAMP SPRING
5	NC13-85-0053	2	TRAILER RAMP SPRING
6	39-42-0120	2	SPRING BUSHING
7	NC14-70-0641	4	TRAILER WHEEL
8	39-04-0356	2	RAMP LOCK (RIGHT) GR660-E
9	39-04-0360	2	DOOR LOCK
10	39-09-0015	2	WHEEL AXLE RING
11	39-55-0180	2	WHEEL HUB
12	39-25-0005	10	INTERIOR WHEEL HUB NUT
13	39-55-0313	1	PRE-ASSEM. TONGUE
14	NC02-12-0005	10	HEX. NUT ZINC 1/2-20
15	NC01-17-0250	2	HEX. BOLT GR2 ZINC 1/2-13 X 1 3/4"
16	NC02-25-0011	6	WASHER SAE ZINC 17/32 ID
17	NC02-32-0014	2	LOCK WASHER ZINC 1/2"
18	NC01-96-0014	5	NYLON-INSERT LOCKNUT ZINC 1/2-13
19	NC01-29-0006	2	HEX. BOLT GR5 NF ZINC 1/4-28 X 1 1/2
20	NC01-97-0004	2	NYLON-INSERT LOCKNUT ZINC 1/4-28
21	NC01-29-0253	4	HEX. BOLT GR2 ZINC 1/2-20 X 2 1/2"
22	NC01-97-0008	4	HEX. LOCK NUT NYLO. NF Z 1/2-20
23	NC14-70-0310	2	SLOTTED NUT 1-14
24	NC14-70-0311	2	COTTER PIN ZINC 5/32" X 2"
25	01-01-0925	9	WASHER
26	NC01-17-0257	3	HEX. BOLT GR2 ZINC 1/2-13 X 3 1/2"
27	NC02-44-0124	2	3/8-16 X 1 1/2 SET SCREW
28	NC14-70-0092	2	DUST GUARD
29	39-55-0335	2	WHEEL HUB ASS'Y
30	39-01-0385	2	PIVOT STOPPER OF RAMP
31	NC01-04-0055	4	CARR. BOLT GR2 ZINC 5/16-18 X 5/8"
32	NC02-14-0006	4	HEX. NUT SPECIAL FLANGET NC 5/16-18 B GRADE



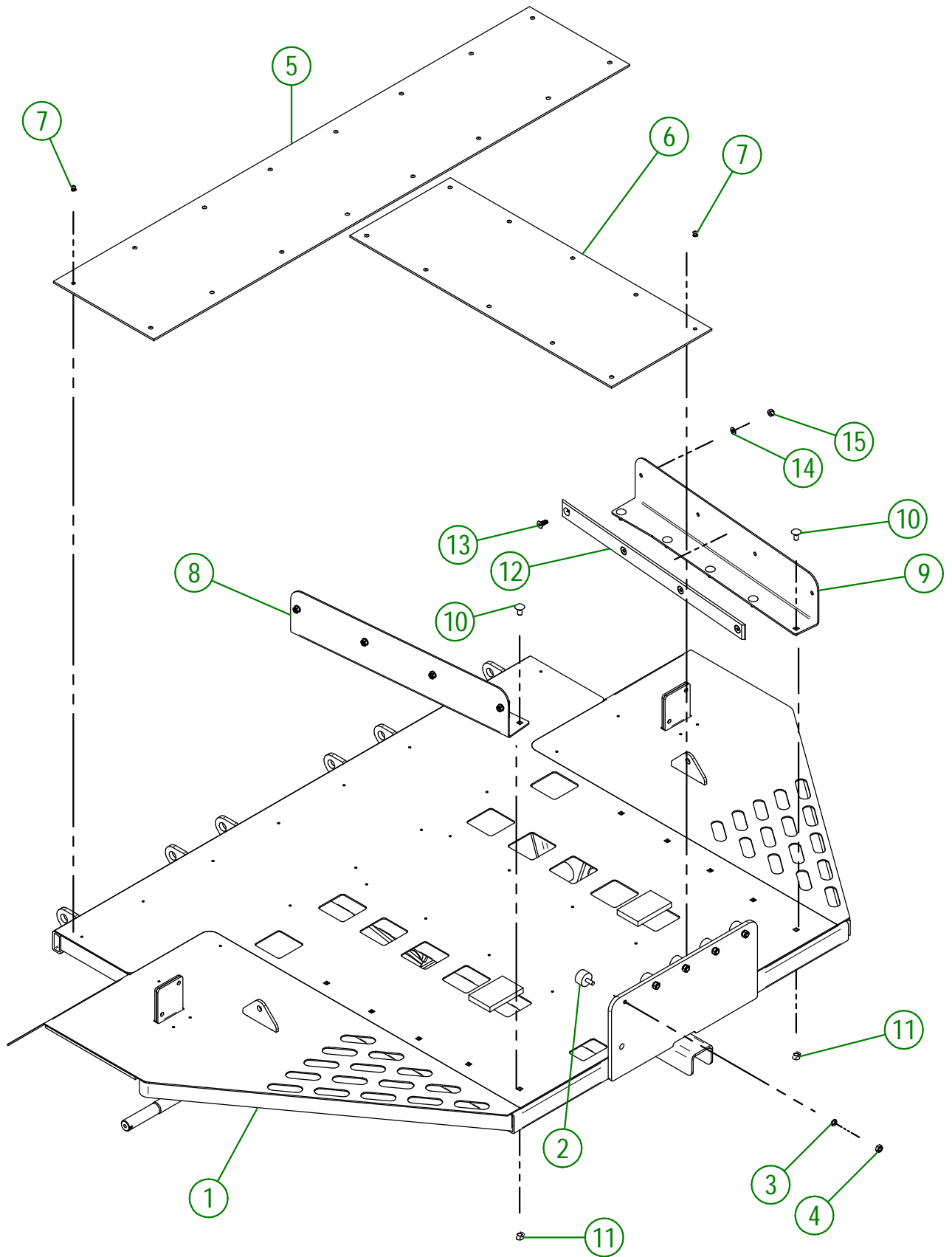
USE THESE PIECES ONLY IF YOUR SERIAL  
NUMBER IS AFFECTED:

# 45472 AND ABOVE

<b>AGRIMETAL</b>	
<b>TRAILER (4 WHEELS)</b>	
CREATION : 21/12/23	ASSEMBLY : <b>39-55-0354</b>
REVISION : 21/03/24	AUTHOR : D. CHASSÉ

39-55-0354

#	PART #	Qty	TITLE
1	39-57-0352	1	TRAILER (4 WHEELS)
2	39-55-0308	1	PRE-ASS'Y RAMP
3	39-13-1016	2	PIVOT RAMP
4	NC13-85-0054	2	TRAILER RAMP SPRING
5	NC13-85-0053	2	TRAILER RAMP SPRING
6	39-42-0120	2	SPRING BUSHING
7	NC14-70-0641	4	TRAILER WHEEL
8	39-04-0356	2	RAMP LOCK (RIGHT) GR660-E
9	39-04-0360	2	DOOR LOCK
10	39-09-0015	2	WHEEL AXLE RING
11	39-55-0180	2	WHEEL HUB
12	39-25-0005	10	INTERIOR WHEEL HUB NUT
13	39-55-0313	1	PRE-ASSEM. TONGUE
14	NC02-12-0005	10	HEX. NUT ZINC 1/2-20
15	NC01-17-0250	2	HEX. BOLT GR2 ZINC 1/2-13 X 1 3/4"
16	NC02-25-0011	6	WASHER SAE ZINC 17/32 ID
17	NC02-32-0014	2	LOCK WASHER ZINC 1/2"
18	NC01-96-0014	5	NYLON-INSERT LOCKNUT ZINC 1/2-13
19	NC01-25-0006	2	HEX. BOLT GR5 1/4-20 X 1"
20	NC01-93-0001	2	HEX. LOCK NUT NC ZINC 1/4-20
21	NC01-29-0253	4	HEX. BOLT GR2 ZINC 1/2-20 X 2 1/2"
22	NC01-97-0008	4	HEX. LOCK NUT NYLO. NF Z 1/2-20
23	NC14-70-0310	2	SLOTTED NUT 1-14
24	NC14-70-0311	2	COTTER PIN ZINC 5/32" X 2"
25	01-01-0925	9	WASHER
26	NC01-17-0257	3	HEX. BOLT GR2 ZINC 1/2-13 X 3 1/2"
27	NC02-44-0124	2	3/8-16 X 1 1/2 SET SCREW
28	NC14-70-0092	2	DUST GUARD
29	39-55-0335	2	WHEEL HUB ASS'Y
30	39-01-0385	2	PIVOT STOPPER OF RAMP
31	NC01-04-0055	4	CARR. BOLT GR2 ZINC 5/16-18 X 5/8"
32	NC02-14-0006	4	HEX. NUT SPECIAL FLANGET NC 5/16-18 B GRADE



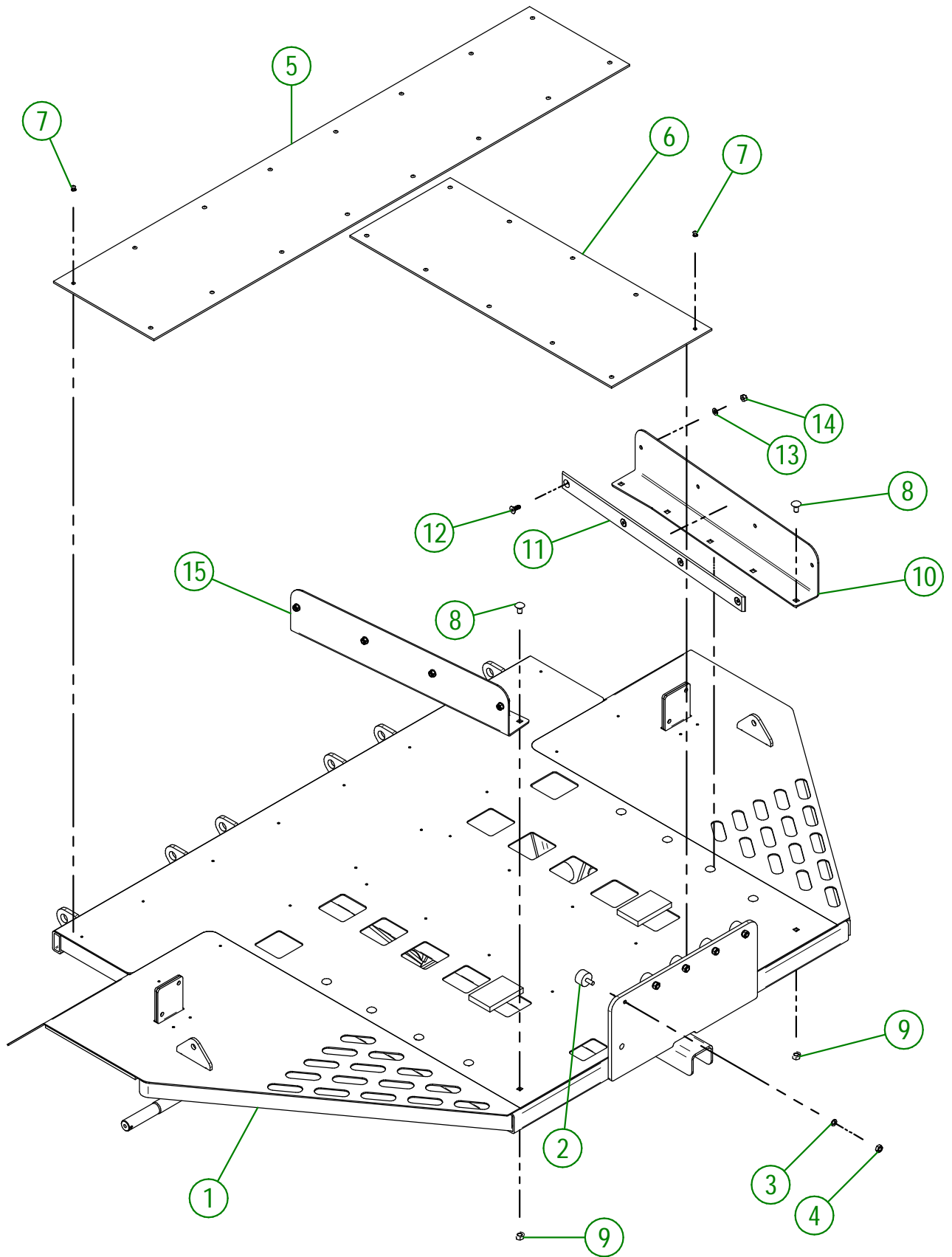
USE THESE PIECES ONLY IF YOUR SERIAL  
NUMBER IS AFFECTED:

BETWEEN # 45185 AND # 45471

<b>AGRIMETAL</b>	
<b>TRAILER (4 WHEELS)</b>	
CREATION : 16/08/23	ASSEMBLY : <b>39-57-0351</b>
REVISION : 13/03/24	AUTHOR : D. Bevins

39-57-0351

#	PART #	Qty	TITLE
1	39-50-0302	1	TRAILER (4 WHEELS)
2	NC13-15-0034	5	RUBBER ABSORBER
3	NC02-32-0011	5	LOCK WASHER ZINC 5/16"
4	NC02-07-0017	5	HEX. NUT 5/16-18
5	39-42-0037	1	TRAILER RUBBER (BEHIND)
6	39-42-0042	1	TRAILER RUBBER (CENTER)
7	NC01-78-0300	26	RIVETS AC. AV. SUPR. TI. AC. .187 X .515 CAP. RIVET .270
8	39-01-0201	1	POSITIONING GUIDE (RIGHT)
9	39-01-0206	1	POSITIONING GUIDE (LEFT)
10	NC01-04-0107	10	CARR. BOLT GR2 ZINC 3/8-16 X 3/4"
11	NC02-14-0019	10	FLANGE NUT HEX. NC 3/8-16 GR. B
12	39-42-0155	2	SLIDER
13	NC02-48-0020	8	SOCKET HEAD SCREW 6 P.C. 5/16-20 X 3/4"
14	NC02-22-0008	8	WASHER ZINC 5/16"
15	NC01-93-0010	8	LOCK NUT ZINC 5/16-18



USE THESE PIECES ONLY IF YOUR SERIAL  
NUMBER IS AFFECTED:

# 45472 AND ABOVE

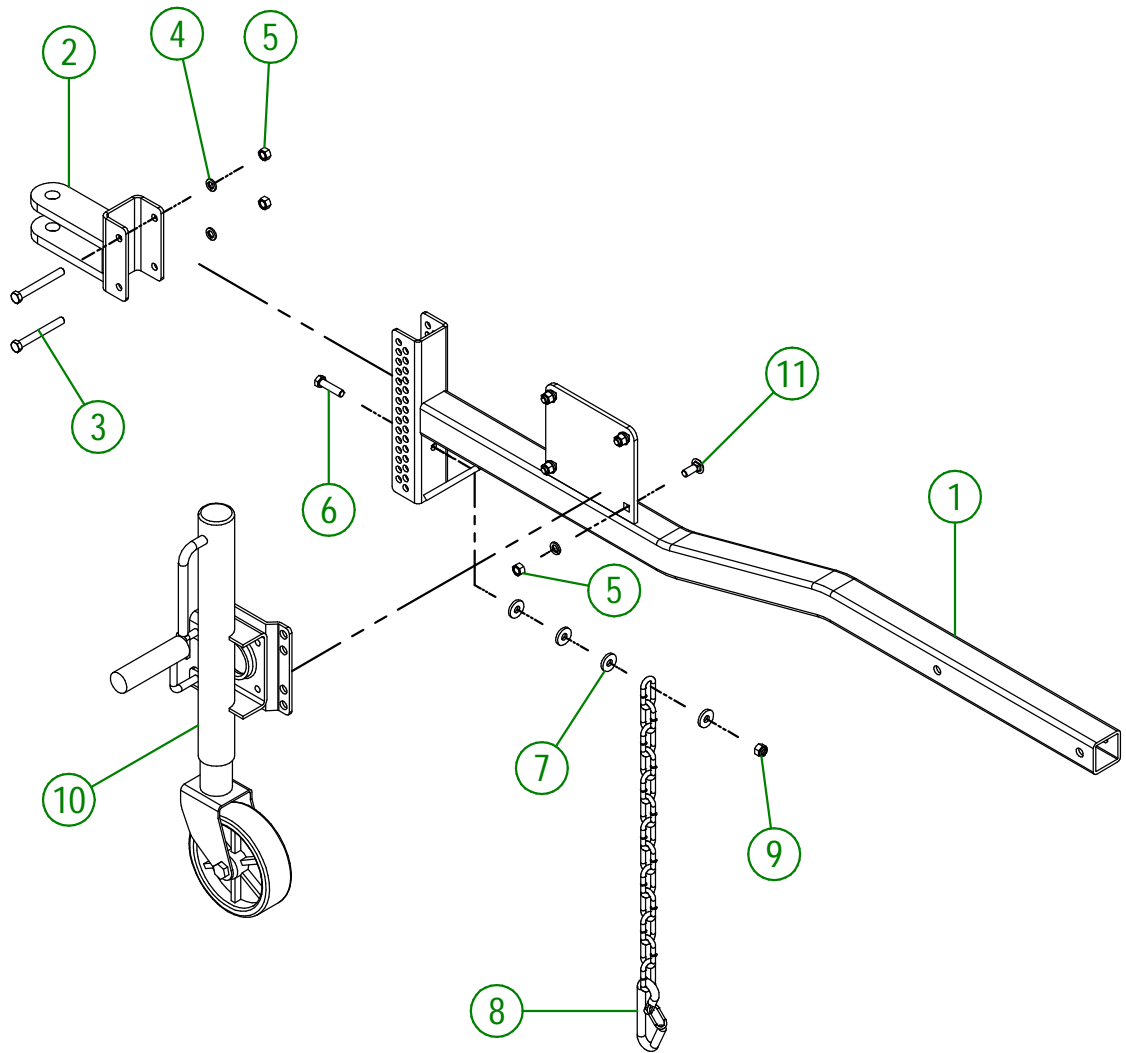
<b>AGRIMETAL</b>	
<b>TRAILER (4 WHEELS)</b>	
CREATION : 21/12/23	ASSEMBLY : <b>39-57-0352</b>
REVISION : 13/03/24	AUTHOR : D. Bevins



39-57-0352

#	PART #	Qty	TITLE
1	39-50-0304	1	TRAILER (4 WHEELS)
2	NC13-15-0034	5	RUBBER ABSORBER
3	NC02-32-0011	5	LOCK WASHER ZINC 5/16"
4	NC02-07-0017	5	HEX. NUT 5/16-18
5	39-42-0037	1	TRAILER RUBBER (BEHIND)
6	39-42-0042	1	TRAILER RUBBER (CENTER)
7	NC01-78-0300	26	RIVETS AC. AV. SUPR. TI. AC. .187 X .515 CAP. RIVET .270
8	NC01-04-0107	10	CARR. BOLT GR2 ZINC 3/8-16 X 3/4"
9	NC02-14-0019	10	FLANGE NUT HEX. NC 3/8-16 GR. B
10	39-01-0206	1	POSITIONING GUIDE (LEFT)
11	39-42-0155	2	SLIDER
12	NC02-48-0020	8	SOCKET HEAD SCREW 6 P.C. 5/16-20 X 3/4"
13	NC02-22-0008	8	WASHER ZINC 5/16"
14	NC01-93-0010	8	LOCK NUT ZINC 5/16-18
15	39-01-0201	1	POSITIONING GUIDE (RIGHT)

#	PART #	Qty	TITLE
1	39-50-0326	1	TRAILER TONGUE
2	33-50-0055	1	WELD ASSEMBLY HAND
3	NC01-17-0123	2	HEX. BOLT GR2 ZINC 3/8-16 X 3 1/4"
4	NC02-32-0012	6	LOCK WASHER ZINC 3/8"
5	NC02-07-0018	6	HEX. NUT ZINC 3/8-16
6	NC01-17-0116	1	HEX. BOLT GR2 ZINC 3/8-16 X 1 1/2"
7	21-01-0950	4	FLAT WASHER IOGA 1.005" DIA X 25/64"
8	55-41-0000	1	SAFETY CHAIN
9	NC01-96-0011	1	NYLON NUT 3/8-16
10	39-55-0330	1	ADJUSTABLE WHEEL CRUTCH
11	NC01-04-0109	4	CARR. BOLT GR2 ZINC 3/8-16 X 1"

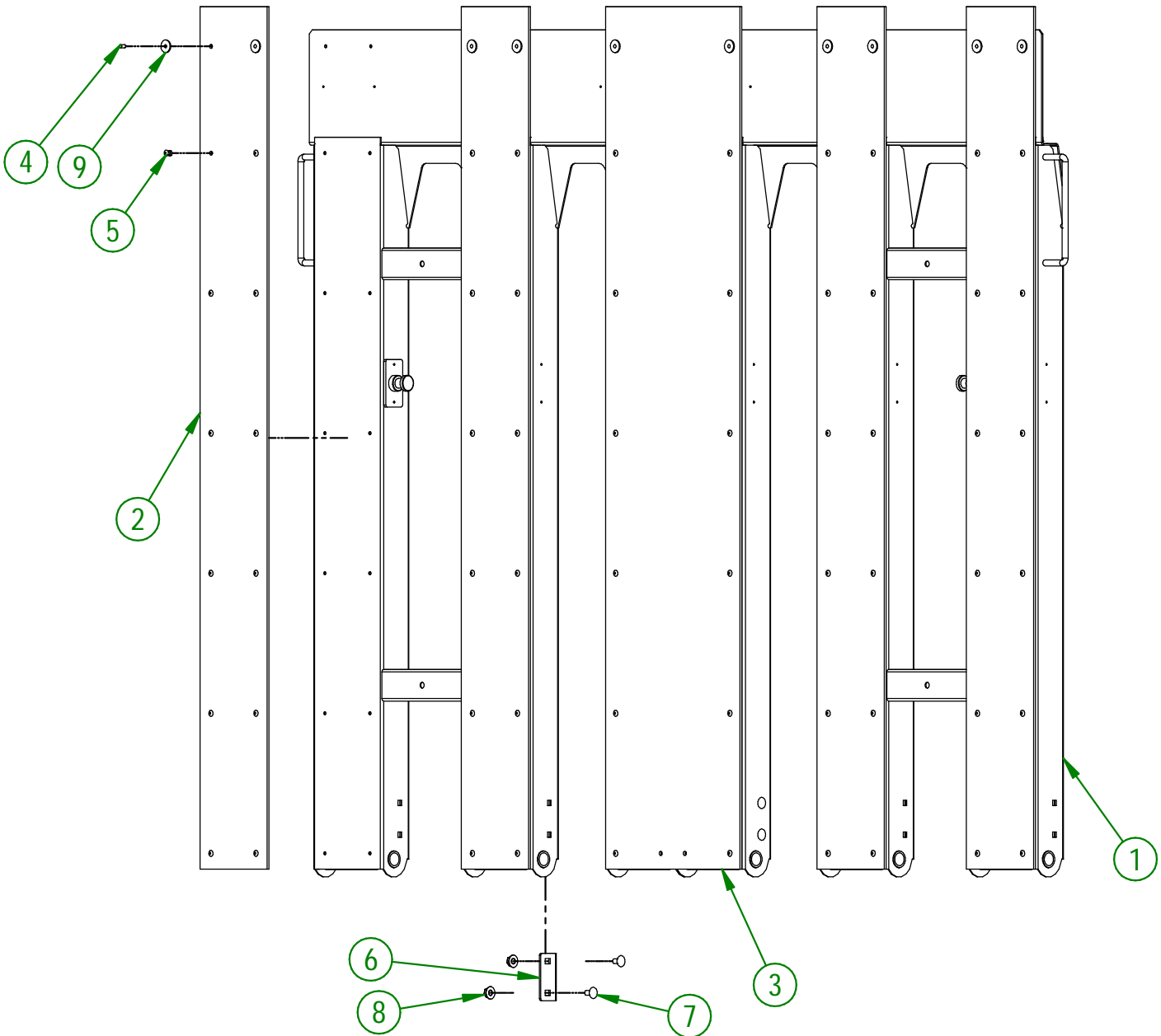


**AGRIMETAL**  
PRE-ASSEM. TONGUE

CREATION : 12/02/20  
REVISION : 13/03/24

ASSEMBLY : **39-55-0313**  
AUTHOR : D. Bevins

#	PART #	Qty	TITLE
1	39-50-0308	1	TRAILER RAMP
2	39-42-0032	4	RUBBER RAMP
3	39-42-0031	1	RAMP RUBBER
4	NC01-78-0405	10	STEEL BLIND POP RIVET STEEL MANDREL 0.187 X 0.690
5	NC01-78-0300	62	RIVETS AC. AV. SUPR. TI. AC. .187 X .515 CAP. RIVET .270
6	39-01-0170	4	TRAILER RAMP REINFORCEMENT
7	NC01-04-0055	8	CARR. BOLT GR2 ZINC 5/16-18 X 5/8"
8	NC02-14-0006	8	HEX. NUT SPECIAL FLANGET NC 5/16-18 B GRADE
9	16-01-2720	10	WASHER 13/16" DIA. X 13/64"

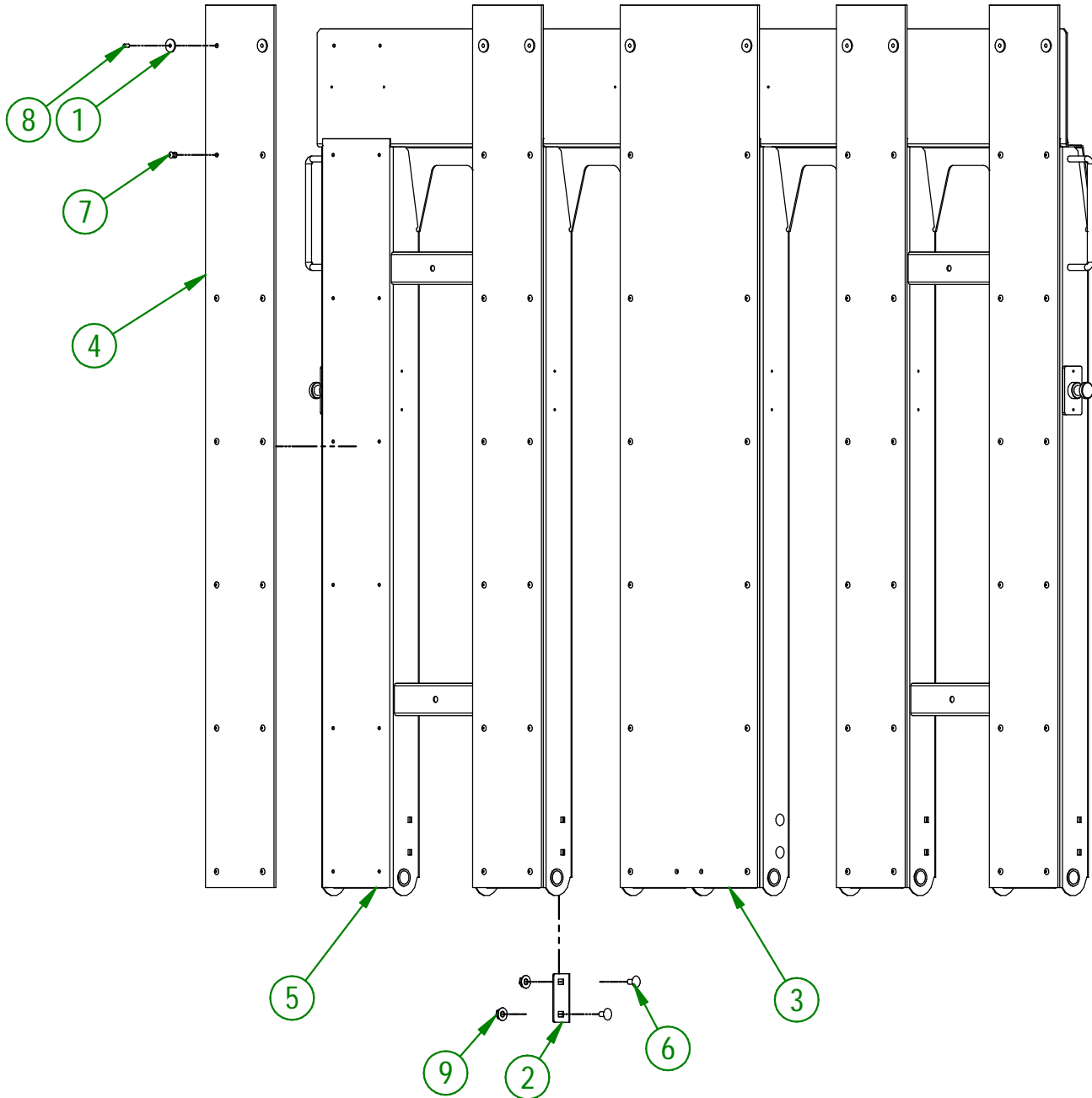


USE THESE PIECES ONLY IF YOUR SERIAL NUMBER IS AFFECTED:

BETWEEN #45185 & #45472

<b>AGRIMETAL</b>	
<b>PRE-ASS'Y RAMP</b>	
CREATION : 15/09/22	ASSEMBLY : <b>39-55-0307</b>
REVISION : 13/03/24	AUTHOR : D. CHASSÉ

#	PART #	Qty	TITLE
1	16-01-2720	10	WASHER 13/16" DIA. X 13/64"
2	39-01-0170	4	TRAILER RAMP REINFORCEMENT
3	39-42-0031	1	RAMP RUBBER
4	39-42-0032	4	RUBBER RAMP
5	39-50-0309	1	TRAILER RAMP
6	NC01-04-0055	8	CARR. BOLT GR2 ZINC 5/16-18 X 5/8"
7	NC01-78-0300	62	RIVETS AC. AV. SUPR. TI. AC. .187 X .515 CAP. RIVET .270
8	NC01-78-0405	10	STEEL BLIND POP RIVET STEEL MANDREL 0.187 X 0.690
9	NC02-14-0006	8	HEX. NUT SPECIAL FLANGET NC 5/16-18 B GRADE

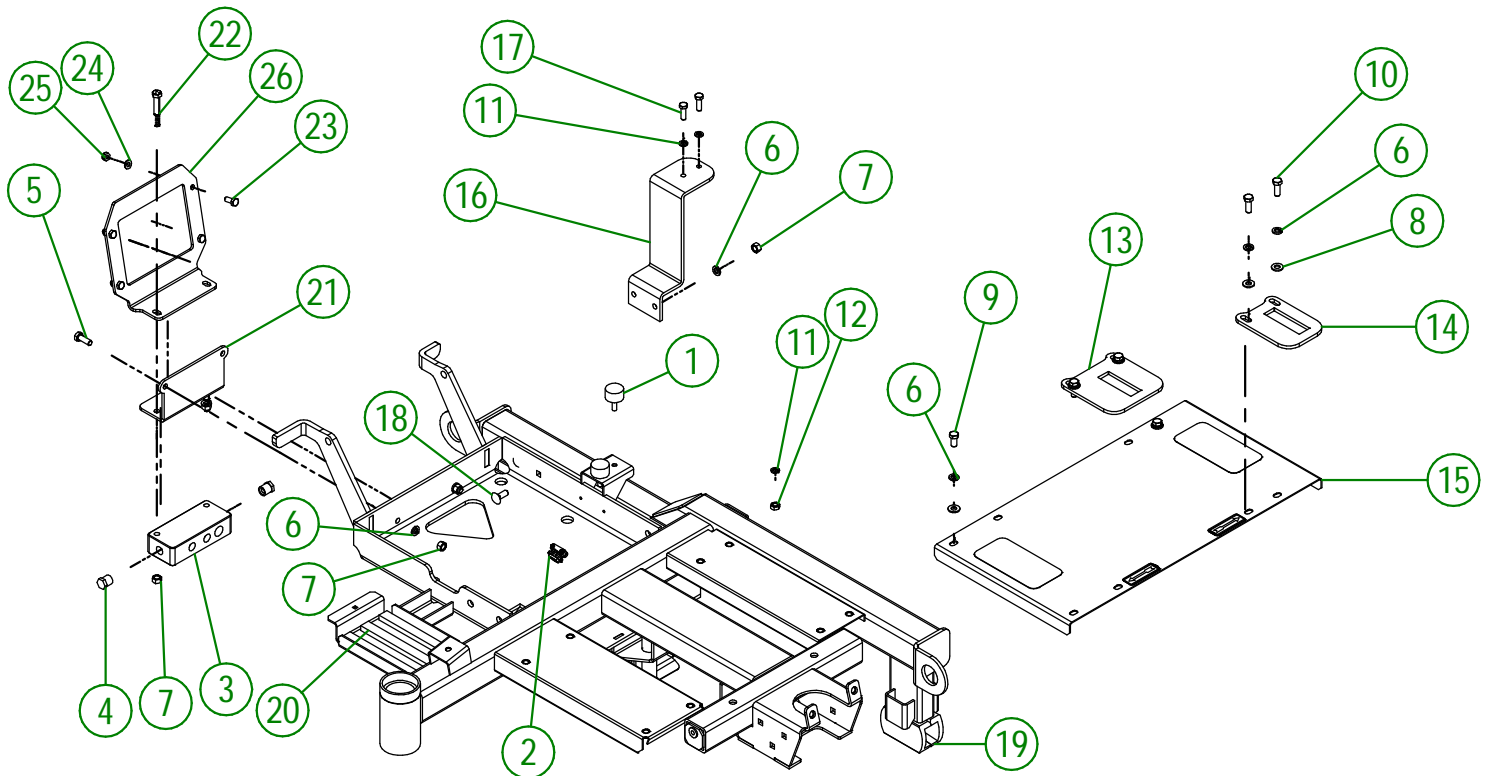


USE THESE PIECES ONLY IF YOUR SERIAL NUMBER IS AFFECTED:

#45472 & ABOVE

<b>AGRIMETAL</b>	
<b>PRE-ASS'Y RAMP</b>	
CREATION : 13/03/24	ASSEMBLY : <b>39-55-0308</b>
REVISION : 13/03/24	AUTHOR : D. CHASSÉ

#	PART #	Qty	TITLE
1	NC13-15-0034	2	RUBBER ABSORBER
2	NC13-25-0378	2	WHITE METAL CONNECTOR
3	39-21-0200	1	HYDRAULIC DISPENSING BLOCK
4	NC13-45-0221	2	HEXAGONAL PLUG
5	NC01-25-0114	2	HEX. BOLT GR2 ZINC 3/8-16 X 1"
6	NC02-32-0012	12	LOCK WASHER ZINC 3/8"
7	NC02-07-0018	6	HEX. NUT ZINC 3/8-16
8	01-01-2485	6	FLAT WASHER 14 GA X 13/16"OD X 25/64" ID
9	NC01-17-0112	2	HEX. BOLT GR2 ZINC 3/8-16 X 3/4"
10	NC01-17-0114	4	HEX. BOLT GR2 ZINC 3/8-16 X 1"
11	NC02-32-0011	4	LOCK WASHER ZINC 5/16"
12	NC02-07-0017	2	HEX. NUT 5/16-18
13	39-04-0186	1	STOPPER PLATE FOR PEDAL (RIGHT)
14	39-04-0188	1	STOPPER PLATE FOR PEDAL (LEFT)
15	39-57-0125	1	FOOTBOARD "STICKER INCLUDED"
16	39-50-0020	1	OIL FILTER HOLDER
17	NC01-17-0060	2	HEX. BOLT GR2 ZINC 5/16-18 X 1"
18	NC01-04-0109	2	CARR. BOLT GR2 ZINC 3/8-16 X 1"
19	39-50-0001	1	FRAME
20	39-42-0160	3	BLACK ADHESIVE-BACK STRIP
21	39-04-0611	1	HYDRAULIC BLOCK SUPPORT
22	NC01-25-0120	2	HEX. BOLT ZINC 3/8-16 X 2 1/2"
23	NC01-17-0058	4	HEX. BOLT GR2 ZINC 5/16-18 X 3/4" LG
24	NC02-22-0008	4	WASHER ZINC 5/16"
25	NC01-93-0010	4	LOCK NUT ZINC 5/16-18
26	39-04-0701	1	COOLING OIL SUPPORT



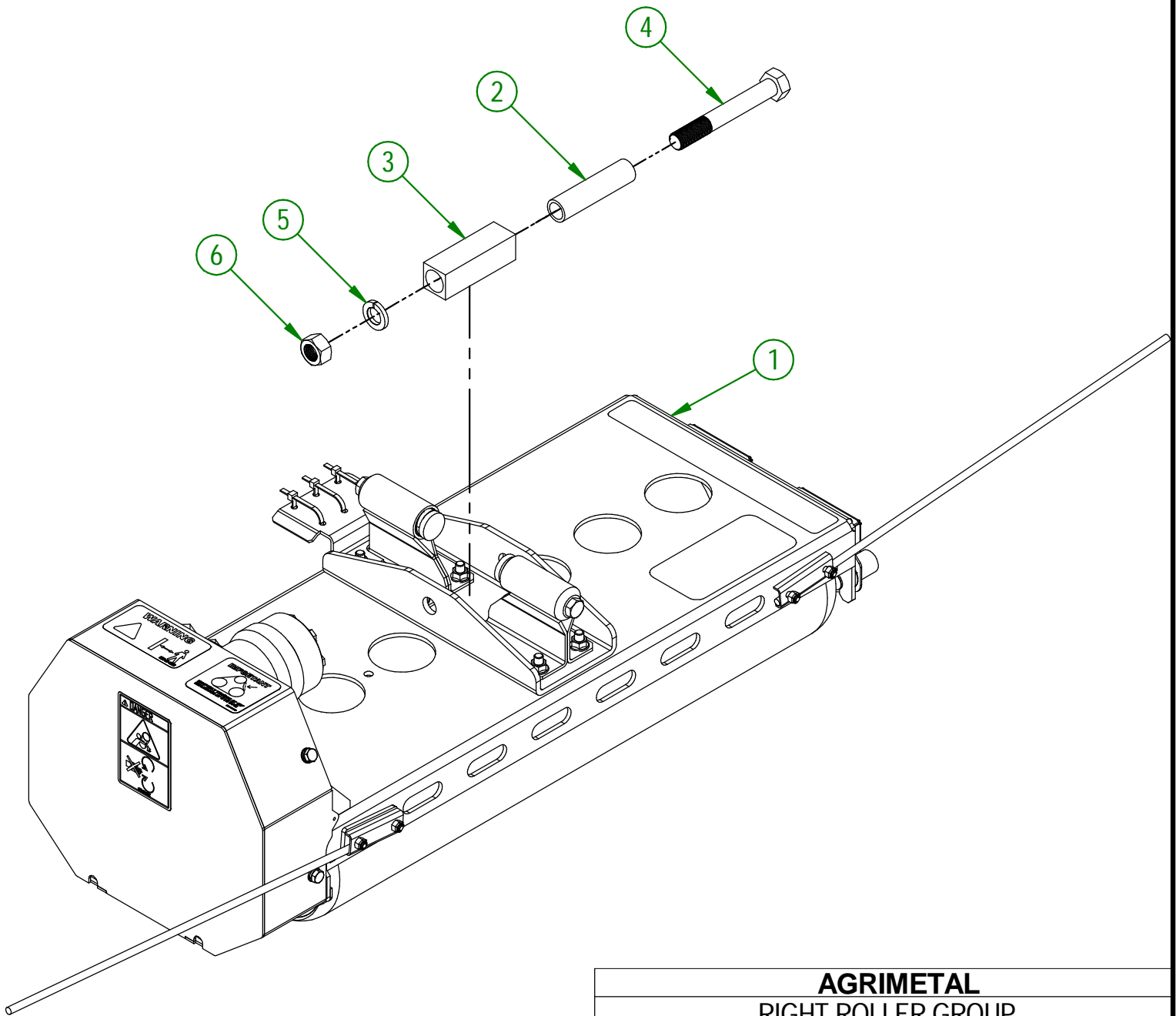
**AGRIMETAL**  
**FRAME GROUP**

CREATION : 16/01/24  
REVISION : 16/01/24

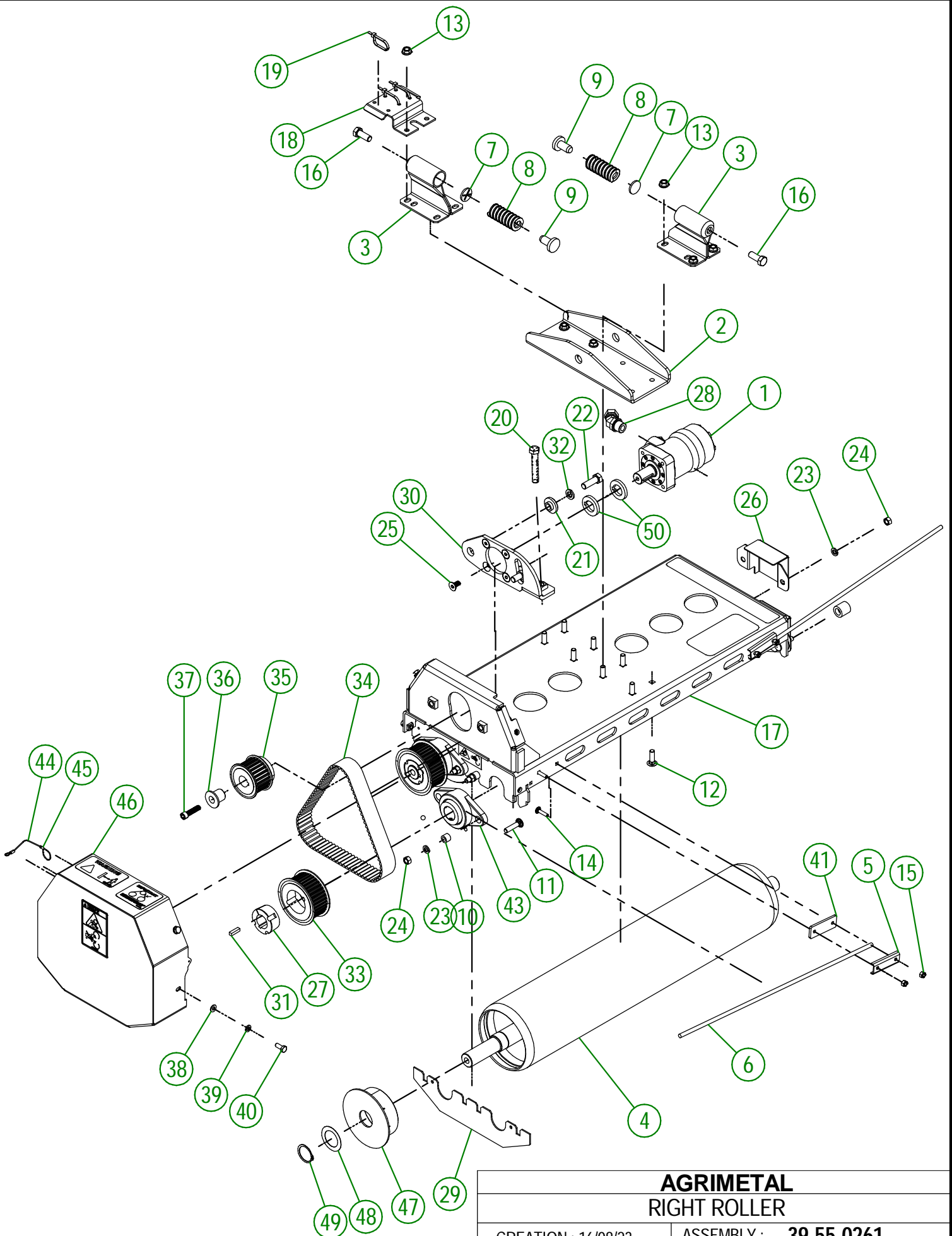
ASSEMBLY : **39-57-0003**  
AUTHOR : D. Bevins

39-57-1100

#	PART #	Qty	TITLE
1	39-55-0261	1	RIGHT ROLLER
2	39-09-1205	1	BUSHING
3	39-42-0700	1	PIVOTING BLOCK
4	NC01-37-0480	1	HEX. BOLT GR8 ZINC 3/4-16 X 5 1/2"
5	NC02-32-0017	1	LOCK WASHER ZINC 3/4"
6	NC02-11-0023	1	NUT 3/4-16



<b>AGRIMETAL</b>	
<b>RIGHT ROLLER GROUP</b>	
CREATION : 17/01/24	ASSEMBLY : <b>39-57-1100</b>
REVISION : 17/01/24	AUTHOR : D. CHASSÉ



**AGRIMETAL**  
**RIGHT ROLLER**

CREATION : 16/08/23  
 REVISION : 26/06/24

ASSEMBLY : **39-55-0261**  
 AUTHOR : D. CHASSÉ

## 39-55-0261

#	PART #	Qty	TITLE
1	NC14-45-0041	1	100cc HYDRAULIC MOTOR
2	39-04-0225	1	ROLLER SUPPORT
3	39-50-0045	2	SPRING GUIDE
4	39-50-0099	2	ROLLER (I KW)
5	39-01-2440	2	GUIDE ROD CLAMP
6	39-42-0600	2	GUIDE ROD
7	39-01-1000	2	SPRING GUIDE WASHER
8	NC13-86-0159	2	RED SPRING I 1/4"OD X 5/8"ID X 2" LG
9	39-42-0100	2	SPRING TIP
10	01-09-0000	8	BEARING RACE (UCFL205-16)
11	NC01-04-0111	8	CARR. BOLT GR2 ZINC 3/8-16 X 1 1/2"
12	NC01-04-0110	8	CARR. BOLT GR2 ZINC 3/8-16 X 1 1/4"
13	NC02-14-0019	8	FLANGE NUT HEX. NC 3/8-16 GR. B
14	NC01-04-0005	4	CARR. BOLT GR2 ZINC 1/4-20 X 1"
15	NC01-96-0009	4	NYLON-INSERT LOCKNUT ZINC 1/4-20
16	NC01-17-0248	2	HEX. BOLT GR2 ZINC 1/2-13 X 1 1/4"
17	39-57-0158	1	ROLLER HOUSING RIGHT
18	39-01-1051	1	HYDRAULIC HOSE SUPPORT
19	NC13-25-0019	3	NYLON CABLE TIE
20	NC01-25-0566	1	FULL THREAD HEX BOLT GR5 ZINC 1/2-13 X 3"
21	39-13-0060	2	GUIDE WASHER
22	NC01-25-0249	2	HEX. BOLT GR5 ZINC 1/2-13 X 1 1/2" LG
23	NC02-32-0012	8	LOCK WASHER ZINC 3/8"
24	NC02-07-0018	8	HEX. NUT ZINC 3/8-16
25	NC02-48-0031	4	SOCKET HEAD CAP SCREW 3/8-16 X 3/4"
26	39-01-0131	2	BEARING GUARD
27	NC14-60-0015	2	TAPER LOCK 1610 X 1 1/4"
28	NC13-45-0046	2	45°-7/8-14 MALE O RING X 1/2 FEM.TOUR.NPT PT
29	39-01-0366	1	BELT GUARD PLATE
30	39-50-0165	1	BELT TENSIONER
31	16-41-0900	2	SQUARE KEY 1/4" X 1/4" X 1"
32	NC02-32-0014	2	LOCK WASHER ZINC 1/2"
33	NC14-60-0014	2	38-C8M-36 STEEL PULLEY
34	NC14-25-5381	1	SYNCHROCHAIN POLY BELT
35	NC14-60-0013	1	38-C8M-36 STEEL PULLEY
36	39-13-0300	1	PULLEY RETAINER
37	NC02-50-0033	1	SOCKET HEAD SCREW 3/8-16 X 1 1/2"
38	NC02-22-0008	4	WASHER ZINC 5/16"
39	NC02-32-0011	4	LOCK WASHER ZINC 5/16"

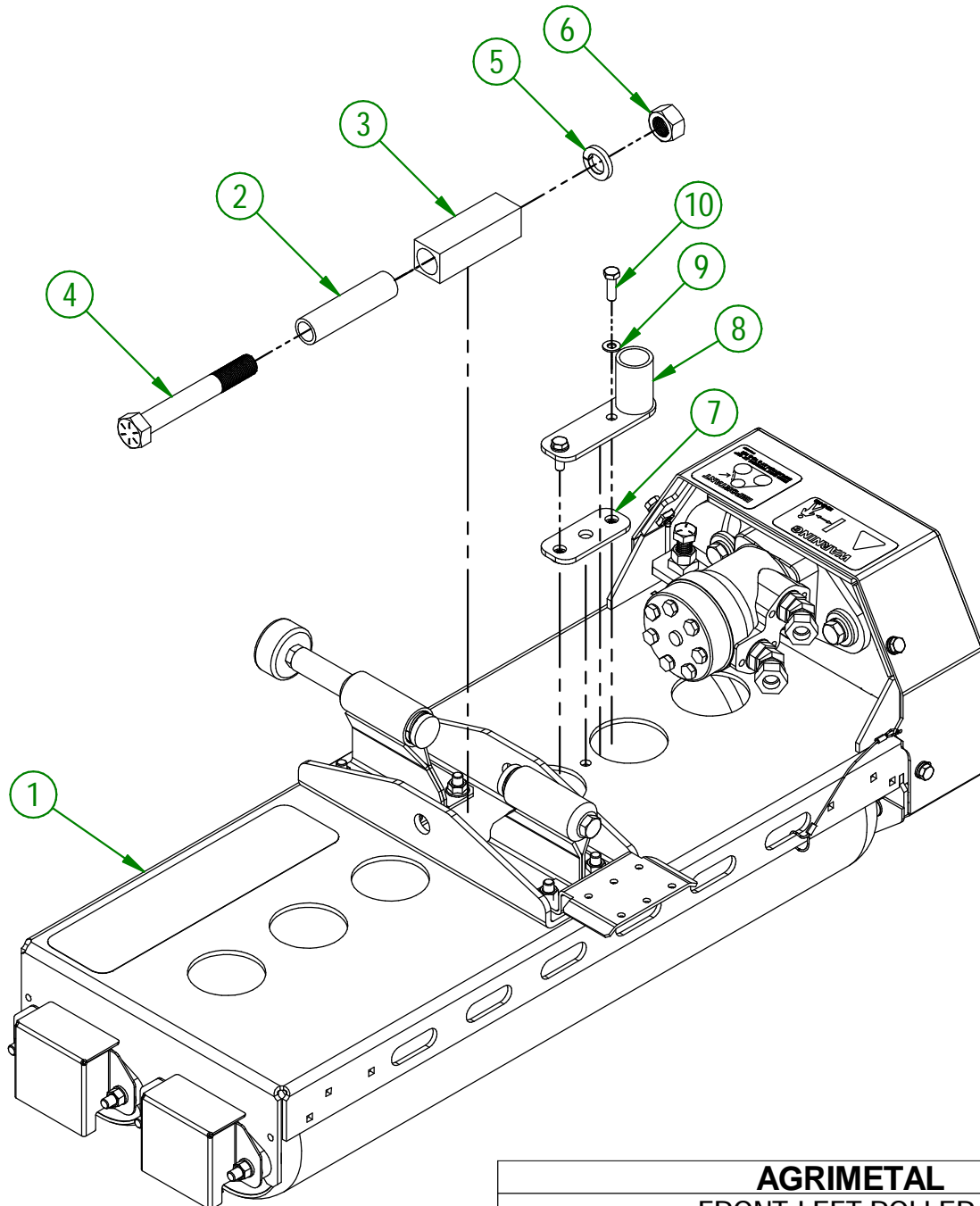


39-55-0261

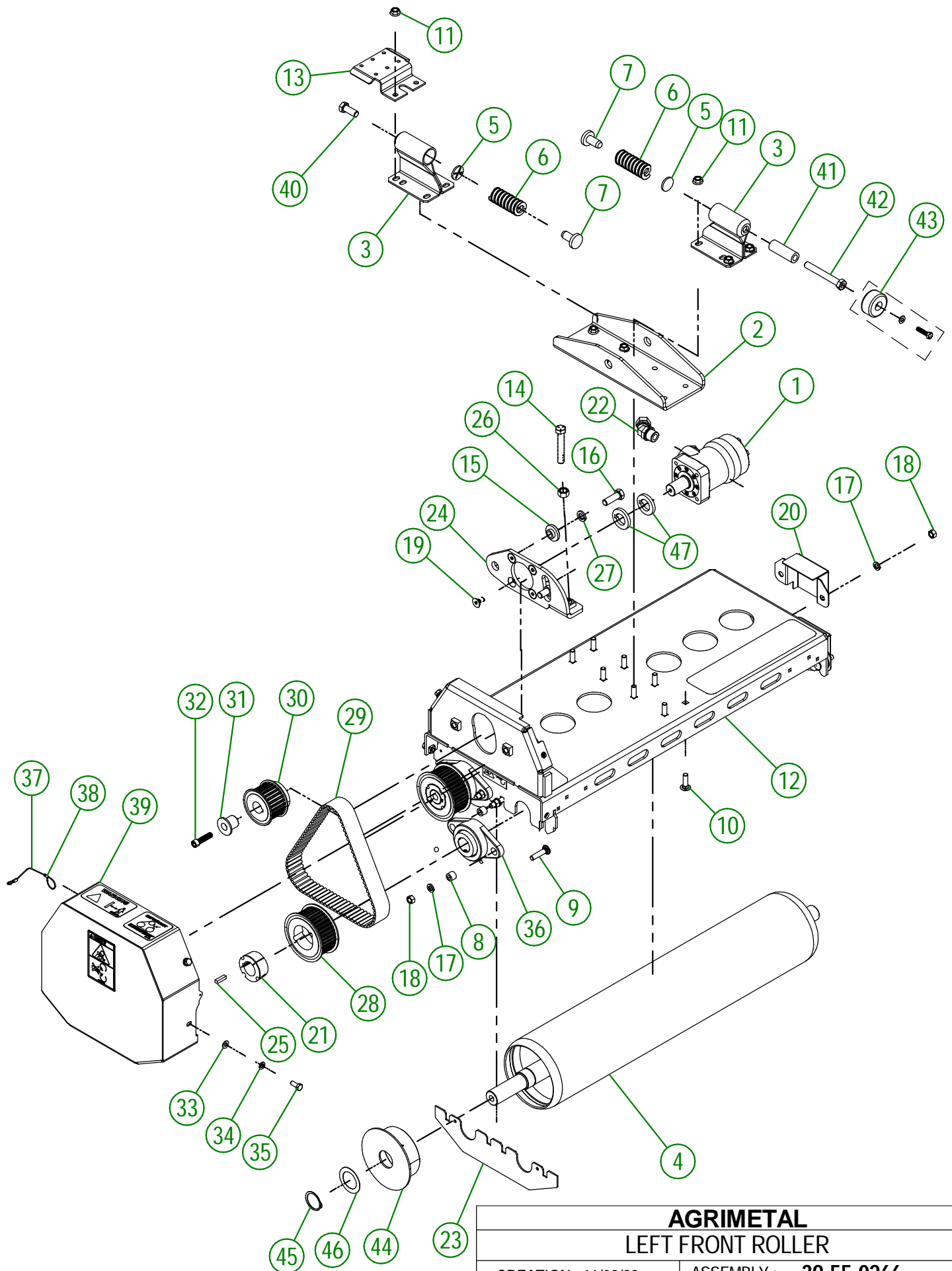
#	PART #	Qty	TITLE
40	NC01-17-0058	4	HEX. BOLT GR2 ZINC 5/16-18 X 3/4" LG
41	39-04-0635	1	GUIDE ROD SPACER
42	39-42-0111	1	ROLLER NUT CAP
43	NC14-75-0114	4	FLANGE PILLOW BLOCK BEARING UCFL206-20 $\varnothing$ 1 1/4"
44	39-41-0000	1	BELT GUARD CABLE
45	NC01-64-0005	2	OVAL SLEEVE (ALUMINUM)
46	39-57-0062	1	BELT GUARD "STICKER INCL."
47	NC17-46-0032	4	ROLLER CAP
48	NC02-19-5008	4	SPACING WASHER 1/32" X 1 1/2" ID X 2 1/4" OD
49	NC01-64-0234	4	EXTERNAL RETAINING RING 1 1/2" DIA.
50	39-04-0660	2	PULLEY SPACER

39-57-1105

#	PART #	Qty	TITLE
1	39-55-0266	1	LEFT FRONT ROLLER
2	39-09-1205	1	BUSHING
3	39-42-0700	1	PIVOTING BLOCK
4	NC01-37-0480	1	HEX. BOLT GR8 ZINC 3/4-16 X 5 1/2"
5	NC02-32-0017	1	LOCK WASHER ZINC 3/4"
6	NC02-11-0023	1	NUT 3/4-16
7	39-50-0220	1	BACK PLATE
8	39-50-0230	1	FLAG HOLDER
9	NC02-22-0008	2	WASHER ZINC 5/16"
10	NC01-25-0060	2	HEX. BOLT GR5 ZINC 5/16-18 X 1"



<b>AGRIMETAL</b>	
<b>FRONT-LEFT ROLLER</b>	
CREATION : 17/01/24	ASSEMBLY : <b>39-57-1105</b>
REVISION : 17/01/24	AUTHOR : D. CHASSÉ



**AGRIMETAL**

**LEFT FRONT ROLLER**

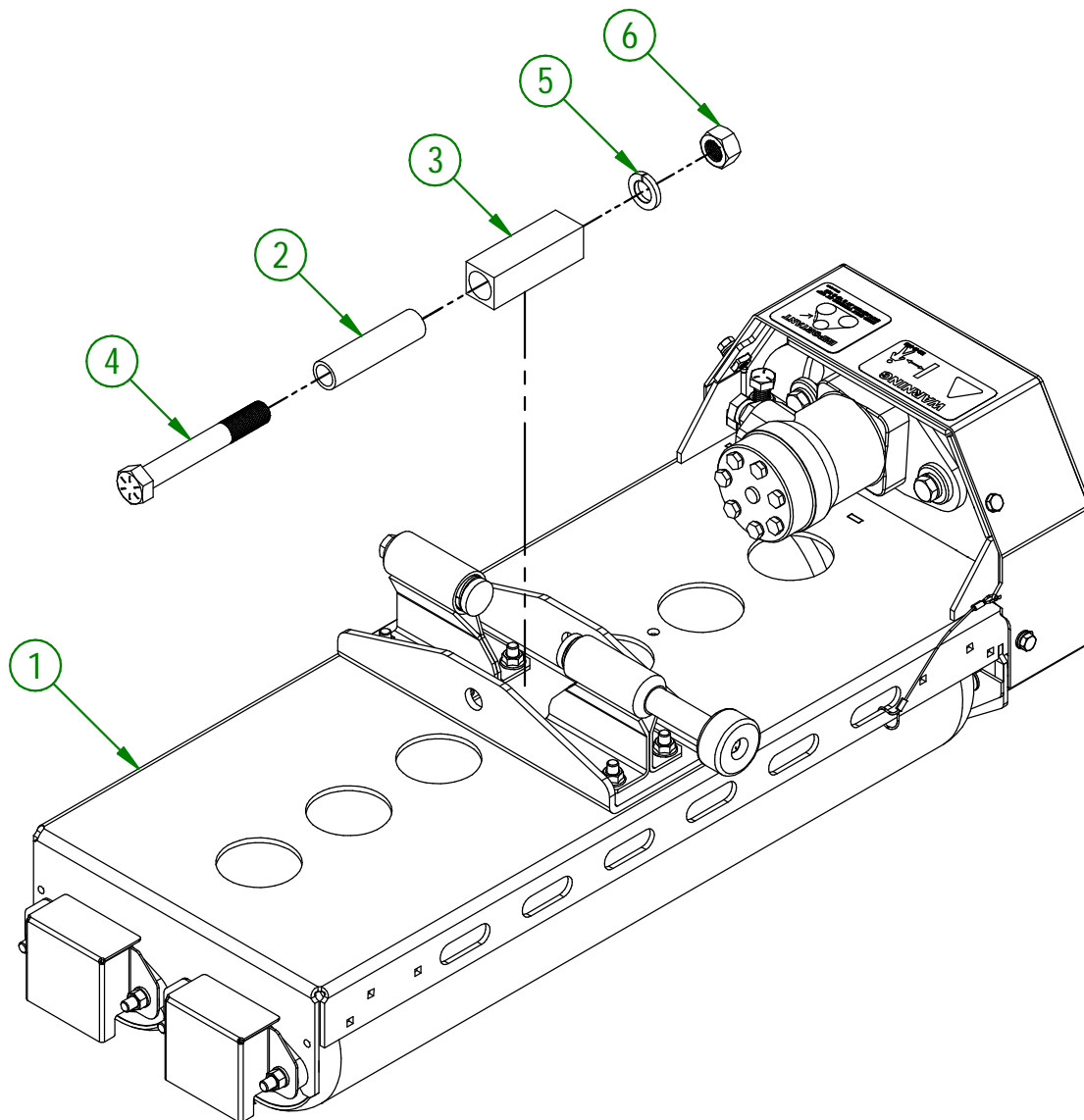
CREATION : 16/08/23  
 REVISION : 26/06/24

ASSEMBLY : **39-55-0266**  
 AUTHOR : D. CHASSÉ

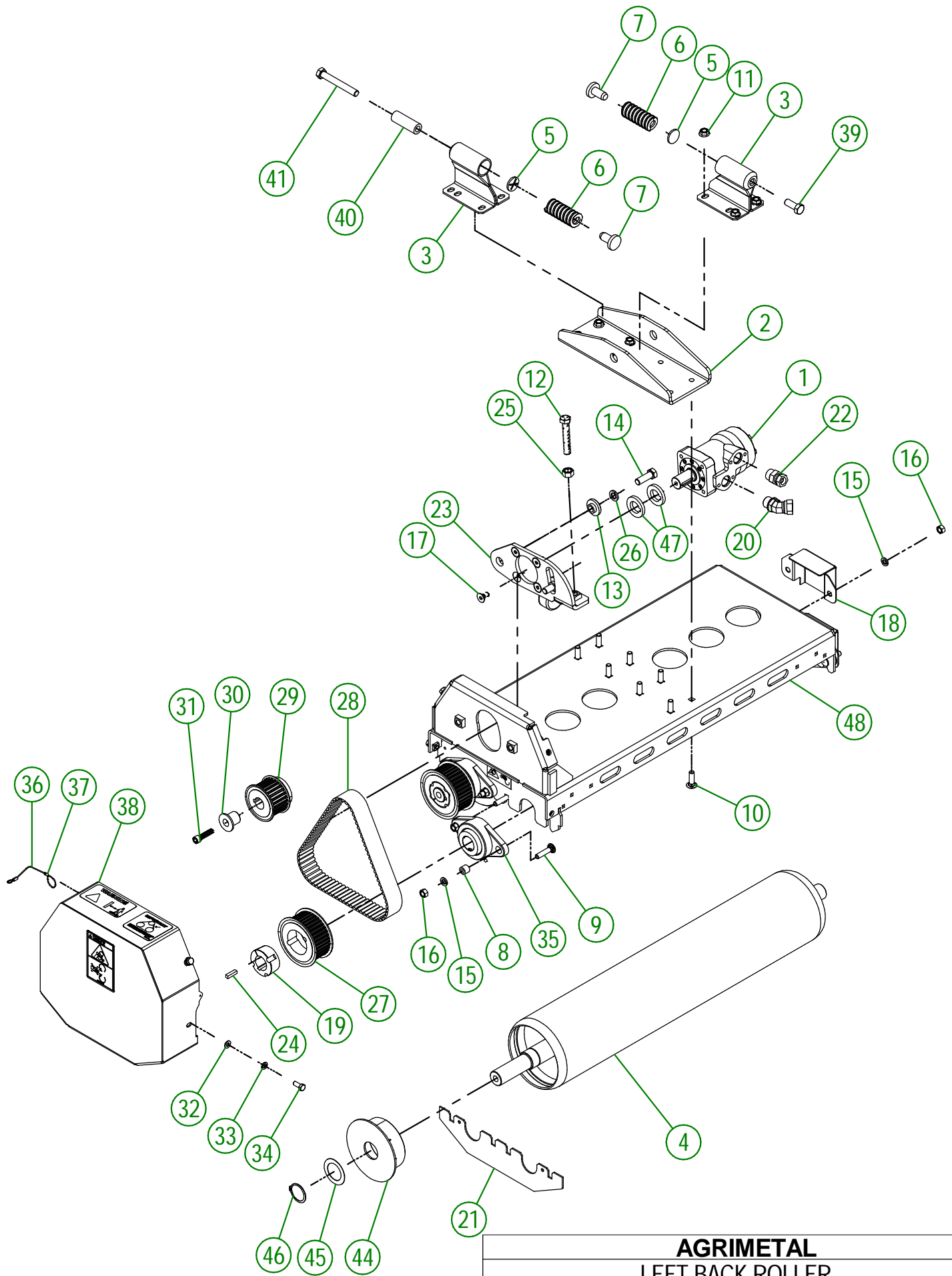
#	PART #	Qty	TITLE
1	NC14-45-0040	1	50cc HYDRAULIC MOTOR
2	39-04-0225	1	ROLLER SUPPORT
3	39-50-0045	2	SPRING GUIDE
4	39-50-0099	2	ROLLER (I KW)
5	39-01-1000	2	SPRING GUIDE WASHER
6	NC13-86-0159	2	RED SPRING I 1/4"OD X 5/8"ID X 2" LG
7	39-42-0100	2	SPRING TIP
8	01-09-0000	8	BEARING RACE (UCFL205-16)
9	NC01-04-0111	8	CARR. BOLT GR2 ZINC 3/8-16 X 1 1/2"
10	NC01-04-0110	8	CARR. BOLT GR2 ZINC 3/8-16 X 1 1/4"
11	NC02-14-0019	8	FLANGE NUT HEX. NC 3/8-16 GR. B
12	39-57-0164	1	ROLLER HOUSING FRONT LEFT
13	39-01-1051	1	HYDRAULIC HOSE SUPPORT
14	NC01-25-0566	1	FULL THREAD HEX BOLT GR5 ZINC 1/2-13 X 3"
15	39-13-0060	2	GUIDE WASHER
16	NC01-25-0249	2	HEX. BOLT GR5 ZINC 1/2-13 X 1 1/2" LG
17	NC02-32-0012	8	LOCK WASHER ZINC 3/8"
18	NC02-07-0018	8	HEX. NUT ZINC 3/8-16
19	NC02-48-0031	4	SOCKET HEAD CAP SCREW 3/8-16 X 3/4"
20	39-01-0131	2	BEARING GUARD
21	NC14-60-0015	2	TAPER LOCK 1610 X 1 1/4"
22	NC13-45-0367	2	45°-7/8-14 MALE O RING X 1/2 FEM.TOUR.NPT PT
23	39-01-0366	1	BELT GUARD PLATE
24	39-50-0165	1	BELT TENSIONER
25	39-41-0020	2	1/4" X 1" LG SQUARE KEY
26	NC02-07-0020	1	HEX. NUT ZINC 1/2-13
27	NC02-32-0014	2	LOCK WASHER ZINC 1/2"
28	NC14-60-0014	2	38-C8M-36 STEEL PULLEY
29	NC14-25-5381	1	SYNCHROCHAIN POLY BELT
30	NC14-60-0013	1	38-C8M-36 STEEL PULLEY
31	39-13-0300	1	PULLEY RETAINER
32	NC02-50-0033	1	SOCKET HEAD SCREW 3/8-16 X 1 1/2"
33	NC02-22-0008	4	WASHER ZINC 5/16"
34	NC02-32-0011	4	LOCK WASHER ZINC 5/16"
35	NC01-17-0058	4	HEX. BOLT GR2 ZINC 5/16-18 X 3/4" LG
36	NC14-75-0114	4	FLANGE PILLOW BLOCK BEARING UCFL206-20 Ø 1 1/4"
37	39-41-0000	1	BELT GUARD CABLE
38	NC01-64-0005	2	OVAL SLEEVE (ALUMINUM)
39	39-57-0062	1	BELT GUARD "STICKER INCL."
40	NC01-17-0248	1	HEX. BOLT GR2 ZINC 1/2-13 X 1 1/4"
41	39-21-0032	1	RAMP STOP SPACER
42	39-30-9957	1	RAMP STOP SPACER
43	39-57-0270	1	RETAINER GROUP
44	NC17-46-0032	4	ROLLER CAP
45	NC01-64-0234	4	EXTERNAL RETANING RING 1 1/2" DIA.
46	NC02-19-5008	4	SPACING WASHER 1/32" X 1 1/2" ID X 2 1/4" OD
47	39-04-0660	2	PULLEY SPACER

39-57-1110

#	PART #	Qty	TITLE
1	39-55-0271	1	LEFT BACK ROLLER
2	39-09-1205	1	BUSHING
3	39-42-0700	1	PIVOTING BLOCK
4	NC01-37-0480	1	HEX. BOLT GR8 ZINC 3/4-16 X 5 1/2"
5	NC02-32-0017	1	LOCK WASHER ZINC 3/4"
6	NC02-11-0023	1	NUT 3/4-16



<b>AGRIMETAL</b>	
<b>BACK-LEFT ROLLER</b>	
CREATION : 17/01/24	ASSEMBLY : <b>39-57-1110</b>
REVISION : 17/01/24	AUTHOR : D. CHASSÉ



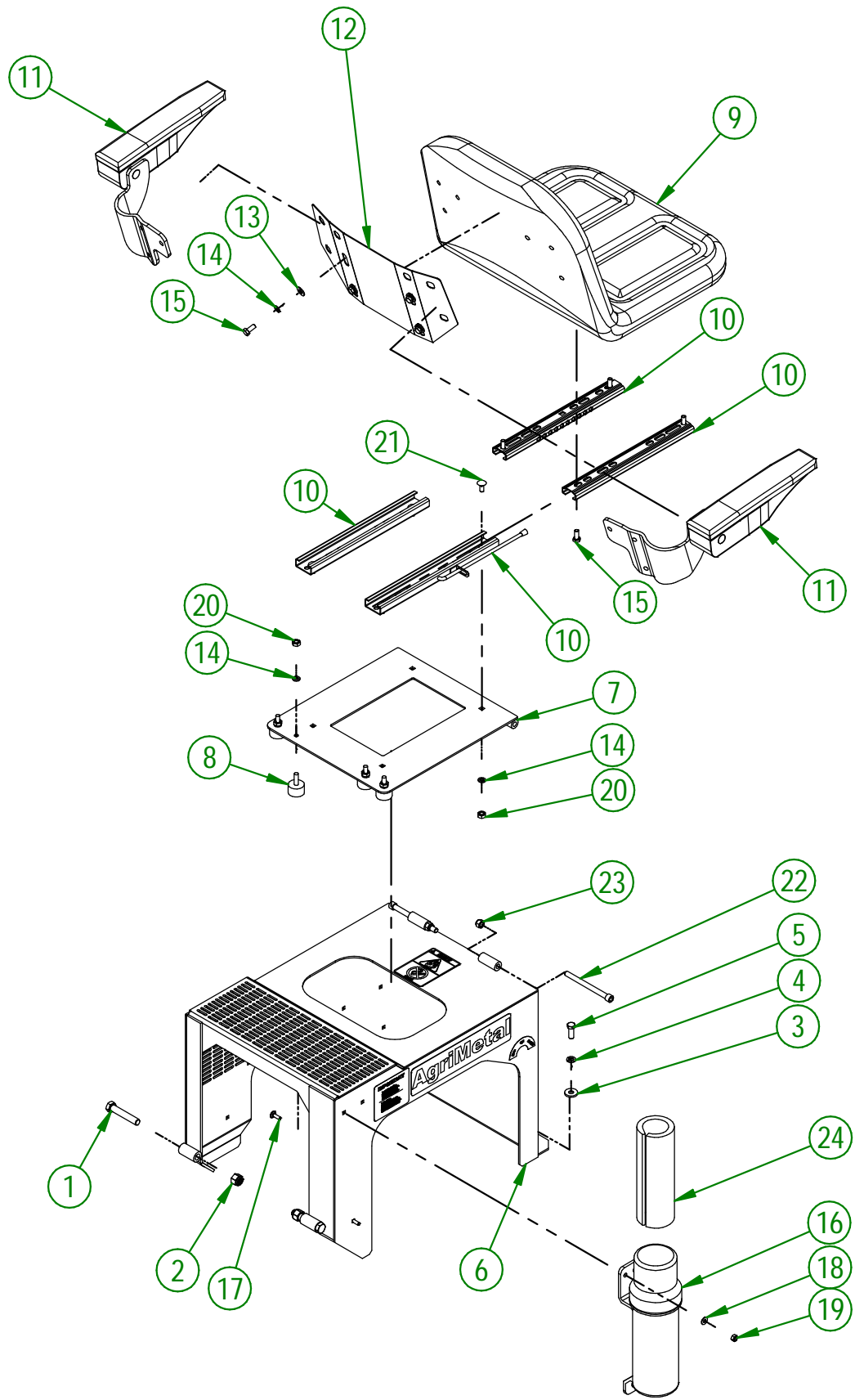
**AGRIMETAL**  
**LEFT BACK ROLLER**

CREATION : 16/08/23  
 REVISION : 26/06/24

ASSEMBLY : **39-55-0271**  
 AUTHOR : D. CHASSÉ

39-55-0271

#	PART #	Qty	TITLE
1	NC14-45-0040	1	50cc HYDRAULIC MOTOR
2	39-04-0225	1	ROLLER SUPPORT
3	39-50-0045	2	SPRING GUIDE
4	39-50-0099	2	ROLLER (I KW)
5	39-01-1000	2	SPRING GUIDE WASHER
6	NC13-86-0159	2	RED SPRING I 1/4"OD X 5/8"ID X 2" LG
7	39-42-0100	2	SPRING TIP
8	01-09-0000	8	BEARING RACE (UCFL205-16)
9	NC01-04-0111	8	CARR. BOLT GR2 ZINC 3/8-16 X 1 1/2"
10	NC01-04-0110	8	CARR. BOLT GR2 ZINC 3/8-16 X 1 1/4"
11	NC02-14-0019	8	FLANGE NUT HEX. NC 3/8-16 GR. B
12	NC01-25-0566	1	FULL THREAD HEX BOLT GR5 ZINC 1/2-13 X 3"
13	39-13-0060	2	GUIDE WASHER
14	NC01-25-0249	2	HEX. BOLT GR5 ZINC 1/2-13 X 1 1/2" LG
15	NC02-32-0012	8	LOCK WASHER ZINC 3/8"
16	NC02-07-0018	8	HEX. NUT ZINC 3/8-16
17	NC02-48-0031	4	SOCKET HEAD CAP SCREW 3/8-16 X 3/4"
18	39-01-0131	2	BEARING GUARD
19	NC14-60-0015	2	TAPER LOCK 1610 X 1 1/4"
20	NC13-45-0367	1	45°-7/8-14 MALE O RING X 1/2 FEM.TOUR.NPT PT
21	39-01-0366	1	BELT GUARD PLATE
22	NC13-45-0073	1	STRAIGHT 7/8-14 MALE SAE10 O-RING X 3/8 FEM. TOUR. NPT
23	39-50-0165	1	BELT TENSIONER
24	39-41-0020	2	1/4" X 1" LG SQUARE KEY
25	NC02-07-0020	1	HEX. NUT ZINC 1/2-13
26	NC02-32-0014	2	LOCK WASHER ZINC 1/2"
27	NC14-60-0014	2	38-C8M-36 STEEL PULLEY
28	NC14-25-5381	1	SYNCHROCHAIN POLY BELT
29	NC14-60-0013	1	38-C8M-36 STEEL PULLEY
30	39-13-0300	1	PULLEY RETAINER
31	NC02-50-0033	1	SOCKET HEAD SCREW 3/8-16 X 1 1/2"
32	NC02-22-0008	4	WASHER ZINC 5/16"
33	NC02-32-0011	4	LOCK WASHER ZINC 5/16"
34	NC01-17-0058	4	HEX. BOLT GR2 ZINC 5/16-18 X 3/4" LG
35	NC14-75-0114	4	FLANGE PILLOW BLOCK BEARING UCFL206-20 Ø 1 1/4"
36	39-41-0000	1	BELT GUARD CABLE
37	NC01-64-0005	2	OVAL SLEEVE (ALUMINUM)
38	39-57-0062	1	BELT GUARD "STICKER INCL."
39	NC01-17-0248	1	HEX. BOLT GR2 ZINC 1/2-13 X 1 1/4"
40	39-21-0032	1	RAMP STOP SPACER
41	39-30-9957	1	RAMP STOP SPACER
42	39-57-0270	1	RETAINER GROUP
43	39-42-0185	1	BLACK SPONGY RIBBON
44	NC17-46-0032	4	ROLLER CAP
45	NC02-19-5008	4	SPACING WASHER 1/32" X 1 1/2" ID X 2 1/4" OD
46	NC01-64-0234	4	EXTERNAL RETANING RING 1 1/2" DIA.
47	39-04-0660	2	PULLEY SPACER
48	39-57-0153	1	BACK LEFT ROLLER HOUSING

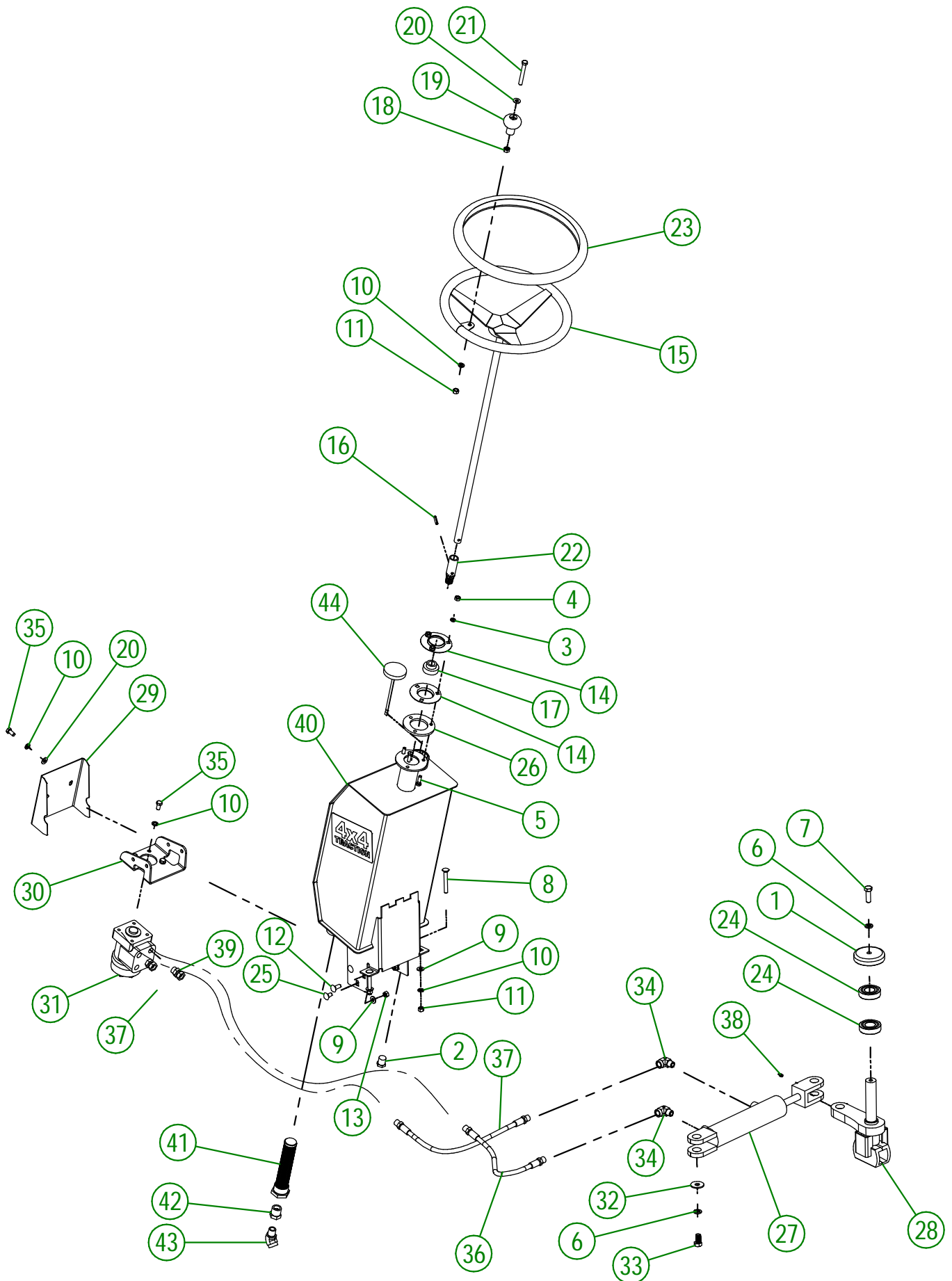


<b>AGRIMETAL</b>	
<b>ENGINE COVER GROUP</b>	
CREATION : 12/03/24	ASSEMBLY : <b>39-57-0380</b>
REVISION : 12/03/24	AUTHOR : D. CHASSÉ



## 39-57-0380

#	PART #	Qty	TITLE
1	NC01-17-0254	2	HEX. BOLT GR2 ZINC 1/2-13 X 2 1/2"
2	NC01-96-0014	2	NYLON-INSERT LOCKNUT ZINC 1/2-13
3	21-01-0950	2	FLAT WASHER 10GA 1.005" DIA X 25/64"
4	NC02-32-0012	2	LOCK WASHER ZINC 3/8"
5	NC01-17-0114	2	HEX. BOLT GR2 ZINC 3/8-16 X 1"
6	39-57-0012	1	ENGINE COVER
7	39-50-0115	1	SEAT FOLDER HOLDER
8	NC13-15-0034	4	RUBBER ABSORBER
9	NC13-80-0200	1	SEAT
10	NC13-80-0201	1	SET OF SEAT RAIL
11	NC13-80-0295	1	ARMRESTS
12	39-01-0400	1	BACK REST SEAT REINFORCEMENT
13	01-01-2485	4	FLAT WASHER 14 GA X 13/16"OD X 25/64" ID
14	NC02-32-0011	12	LOCK WASHER ZINC 5/16"
15	NC01-17-0058	8	HEX. BOLT GR2 ZINC 5/16-18 X 3/4" LG
16	NC13-30-0237	1	PLASTIC TUBE FOR OPERATOR'S MANUAL
17	NC01-04-0003	3	CARR. BOLT GR2 ZINC 1/4-20 X 3/4"
18	NC02-25-0007	3	WASHER ZINC 0.281 = 9/32
19	NC01-96-0009	3	NYLON-INSERT LOCKNUT ZINC 1/4-20
20	NC02-07-0017	8	HEX. NUT 5/16-18
21	NC01-04-0056	4	CARR. BOLT 5/16-18 X3/4"
22	NC02-50-0112	2	HEX. BOLT GR2 ZINC 3/8-16 X 4 1/2"
23	NC01-96-0011	2	NYLON NUT 3/8-16
24	39-98-0631	1	OPERATOR'S MANUAL



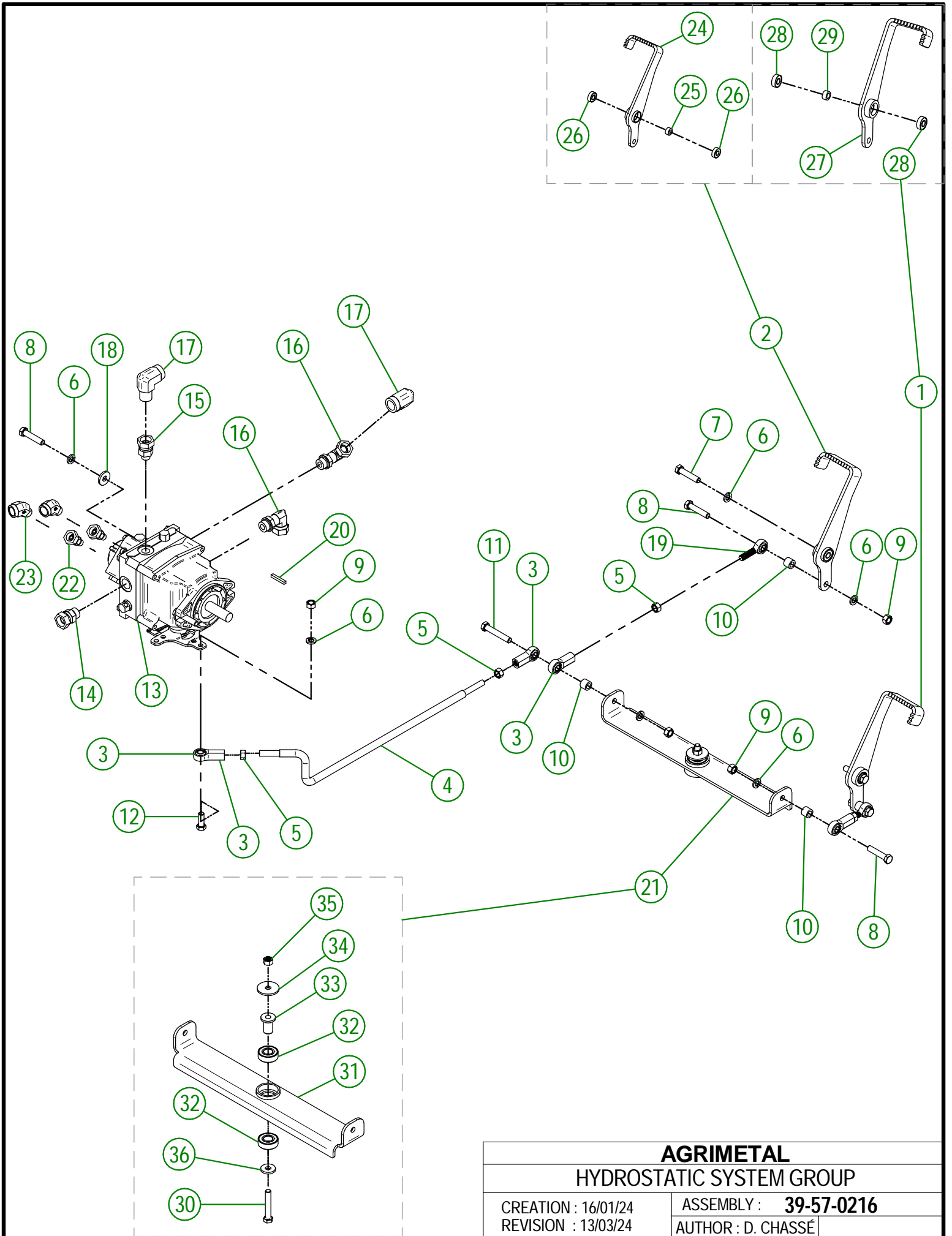
**AGRIMETAL**  
**STEERING SYSTEM GROUP**

CREATION : 16/01/24  
 REVISION : 12/03/24

ASSEMBLY : **39-57-0048**  
 AUTHOR : D. Bevins

39-57-0048

#	PART #	Qty	TITLE
1	39-21-0000	1	STEERING PLATE SHAFT COVER
2	NC13-45-0015	1	HEX. CAP 1/2 NPTF MALE
3	NC02-32-0011	3	LOCK WASHER ZINC 5/16"
4	NC02-07-0017	3	HEX. NUT 5/16-18
5	NC01-17-0060	3	HEX. BOLT GR2 ZINC 5/16-18 X 1"
6	NC02-32-0014	2	LOCK WASHER ZINC 1/2"
7	NC01-17-0249	1	HEX. BOLT GR2 ZINC 1/2-13 X 1 1/2"
8	NC01-04-0116	2	CARR. BOLT GR2 ZINC 3/8-16 X 2 3/4"
9	01-01-2485	8	FLAT WASHER 14 GA X 13/16"OD X 25/64" ID
10	NC02-32-0012	9	LOCK WASHER ZINC 3/8"
11	NC02-07-0018	3	HEX. NUT ZINC 3/8-16
12	NC01-04-0109	4	CARR. BOLT GR2 ZINC 3/8-16 X 1"
13	NC01-93-0011	6	LOCK NUT 3/8-16
14	NC14-75-0008	2	STEEL BEARING ONLY 3 HOLES F4 3 9/16" OD
15	39-50-0081	1	STEERING WHEEL
16	NC01-69-0459	1	ZINC SPRING PIN TENDER DIA. 1/4" X 1 1/4"
17	NC14-75-0014	1	STEEL BEARING SB 204-12 X 3/4" ID
18	NC01-96-0011	1	NYLON NUT 3/8-16
19	NC17-46-0018	1	HANDLE KNOB
20	NC17-57-0016	3	FLAT WASHER 14 GA X 13/16"OD X 25/64" ID
21	NC01-17-0122	1	HEX. BOLT GR2 ZINC 3/8-16 X 3"
22	39-20-0005	1	STEERING SHAFT ADAPTER
23	NC13-80-0254	1	STEERING WHEEL COVER
24	NC14-75-0091	2	6206 ZZ BEARING
25	NC01-04-0107	2	CARR. BOLT GR2 ZINC 3/8-16 X 3/4"
26	39-04-0275	1	STEERING SHAFT BEARING SUPPORT
27	NC13-45-0370	1	HYDRAULIC CYLINDER 6"
28	39-50-0071	1	STEERING PLATE
29	39-01-0080	1	STEERING SHAFT GUARD
30	39-04-0195	1	HYDRAULIQUE CONTROL SUPPORT
31	NC14-45-0151	1	HYDRAULIC STEERING ASSIST
32	01-01-1660	1	WASHER SPACER
33	NC01-17-0247	1	HEX. BOLT GR2 ZINC 1/2-13 X 1"
34	NC13-45-0038	2	ELBOW 90 3/8 FEM. NPT X 3/8 MALE NPT
35	NC01-17-0112	6	HEX. BOLT GR2 ZINC 3/8-16 X 3/4"
36	NC17-02-0435	1	HYD. HOSE 3/8 X 16 1/2"OAL 3/8 NPTMALE RIG.X 3/8NPTMALE RIG
37	NC17-02-0437	1	HYD. HOSE 3/8 X 17"OAL 3/8 NPTMALE RIG.X 3/8NPTMALE RIG
38	NC01-69-0785	1	STRAIGHT GREASE FITTING 1/4-28
39	NC13-45-0036	4	STRAIGHT REDUCER 3/4-16 MALE SAE8 O RING X 1/4 FEMALE
40	39-57-0007	1	OIL TANK
41	NC13-45-0381	1	TANK STRAINER
42	NC13-45-0032	1	STRAIGHT HOSE FITTING 1/2 FEM. NPT X 3/4 MALE NPT
43	NC13-45-0086	1	ELBOW 45 1/2 FEM. NPT X 1/2 MALE NPT
44	NC13-80-0311	1	CAP WITH DIPSTICK



<b>AGRIMETAL</b>	
HYDROSTATIC SYSTEM GROUP	
CREATION : 16/01/24	ASSEMBLY : <b>39-57-0216</b>
REVISION : 13/03/24	AUTHOR : D. CHASSÉ

## 39-57-0216

#	PART #	Qty	TITLE
1	39-55-0026	1	RIGHT PEDAL
2	39-55-0021	1	LEFT PEDAL
3	NC01-67-0104	4	INTERNALLY THREADED BALL JOINT ROD ENDS 3/8-24
4	39-13-0401	1	HYDROSTATIC CONTROL ROD
5	NC02-10-0018	4	NUT 3/8-24
6	NC02-32-0012	9	LOCK WASHER ZINC 3/8"
7	NC01-33-0117	2	CARR. BOLT GR8 ZINC 3/8-16 X 1 3/4"
8	NC01-17-0117	5	HEX. BOLT GR2 ZINC 3/8-16 X 1 3/4"
9	NC02-07-0018	5	HEX. NUT ZINC 3/8-16
10	39-09-0050	4	PEDAL SYSTEM BUSHING
11	NC01-17-0119	1	HEX. BOLT GR2 ZINC 3/8-16 X 2 1/4"
12	NC01-17-0114	1	HEX. BOLT GR2 ZINC 3/8-16 X 1"
13	NC14-45-0153	1	HYDROSTATIC MOTOR
14	NC13-45-0106	1	STRAIGHT REDUCER 3/4-16 MALE SAE8 O RING X 1/2 FEMALE
15	NC13-45-0220	1	STRAIGHT 9/16 MALE ORING X 1/2 FEMALE NPT
16	NC13-45-0203	2	ELBOW 90° 3/4 MALE ORING X 1/2 FEMALE NPT
17	NC13-45-0025	2	ELBOW 90° 1/2 FEMALE NPT X 1/2 MALE NPT
18	21-01-0950	2	FLAT WASHER 10GA 1.005" DIA X 25/64"
19	NC01-67-0304	2	BALL JOINTS ROD ENDS 3/8-24
20	01-41-0905	1	SQUARE KEY 3/16" X 1 1/4"TL
21	39-57-0220	1	PEDAL JUNCTION ARM
22	NC13-45-0401	2	STRAIGHT REDUCER 7/16-20 MALE SAE4 O RING X 3/8 FEMALE SWIVEL
23	NC13-45-0085	2	45° ELBOW 3/8" NPT MALE X 3/8" NPT FEMALE

## 39-55-0021

#	PART #	Qty	TITLE
24	39-50-0111	1	LEFT PEDAL
25	01-09-0005	1	BUSHING
26	NC14-75-0153	2	BALL BEARING R6 2RS 3/8" X 7/8" X 0.281"

## 39-55-0026

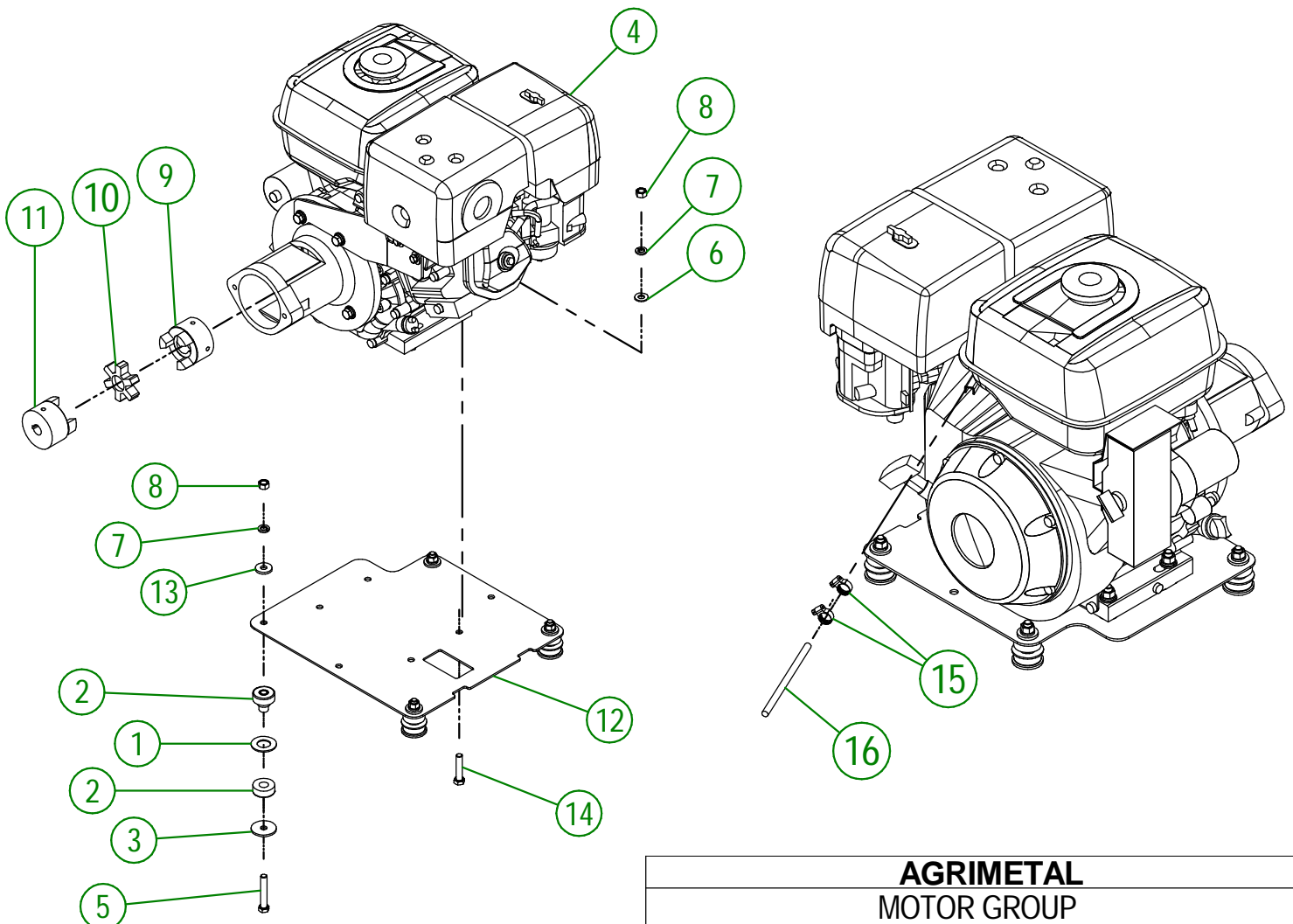
#	PART #	Qty	TITLE
27	39-50-0106	1	RIGHT PEDAL
28	NC14-75-0153	2	BALL BEARING R6 2RS 3/8" X 7/8" X 0.281"
29	01-09-0005	1	BUSHING

## 39-57-0220

#	PART #	Qty	TITLE
30	NC01-37-0119	1	HEX BOLT GR8 ZINC 3/8-24 X 2 1/4"
31	39-50-0042	1	PEDALS UNION
32	NC14-75-0068	2	BALL BEARING 99502H
33	39-13-0200	1	JONCTION ARM PIVOT
34	01-33-0010	1	WASHER
35	NC01-94-0011	1	LOCK NUT 3/8-24
36	21-01-0950	1	FLAT WASHER 10GA 1.005" DIA X 25/64"

39-57-0119

#	PART #	Qty	TITLE
1	26-03-4800	4	WASHER
2	NC13-15-0059	4	YELLOW RUBBER BASE MOUNT
3	01-33-0010	4	WASHER
4	39-55-0032	1	13 HP 18 AMP HONDA MOTOR WITH STARTER
5	NC01-17-0119	4	HEX. BOLT GR2 ZINC 3/8-16 X 2 1/4"
6	01-01-2485	4	FLAT WASHER 14 GA X 13/16"OD X 25/64" ID
7	NC02-32-0012	8	LOCK WASHER ZINC 3/8"
8	NC02-07-0018	8	HEX. NUT ZINC 3/8-16
9	NC14-05-0029	1	COUPLING (LOVEJOY) CXL100 X 1" ID
10	NC14-05-0030	1	COUPLING (LOVEJOY) RUBBER N100
11	39-46-3500	1	HYDROSTATIC COUPLING HUB
12	39-01-0360	1	MOTOR BASE
13	21-01-0950	4	FLAT WASHER 10GA 1.005" DIA X 25/64"
14	NC01-17-0117	4	HEX. BOLT GR2 ZINC 3/8-16 X 1 3/4"
15	NC01-65-0053	2	COLLAR (MH4)
16	39-42-0605	1	GAS THROTTLE EXTENSION

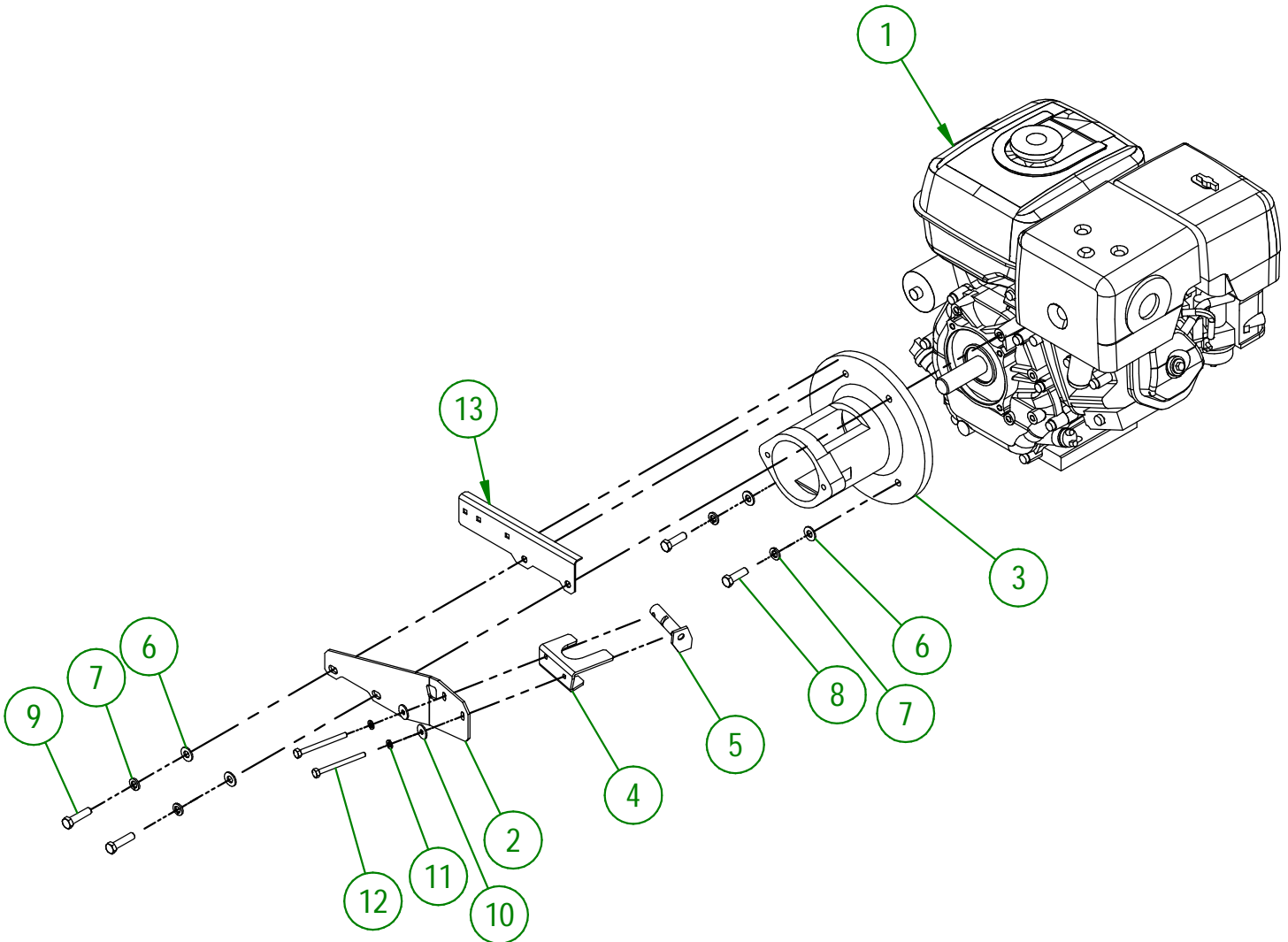


**AGRIMETAL**  
**MOTOR GROUP**

CREATION : 22/01/24  
REVISION : 05/07/24

ASSEMBLY : **39-57-0119**  
AUTHOR : dessin3

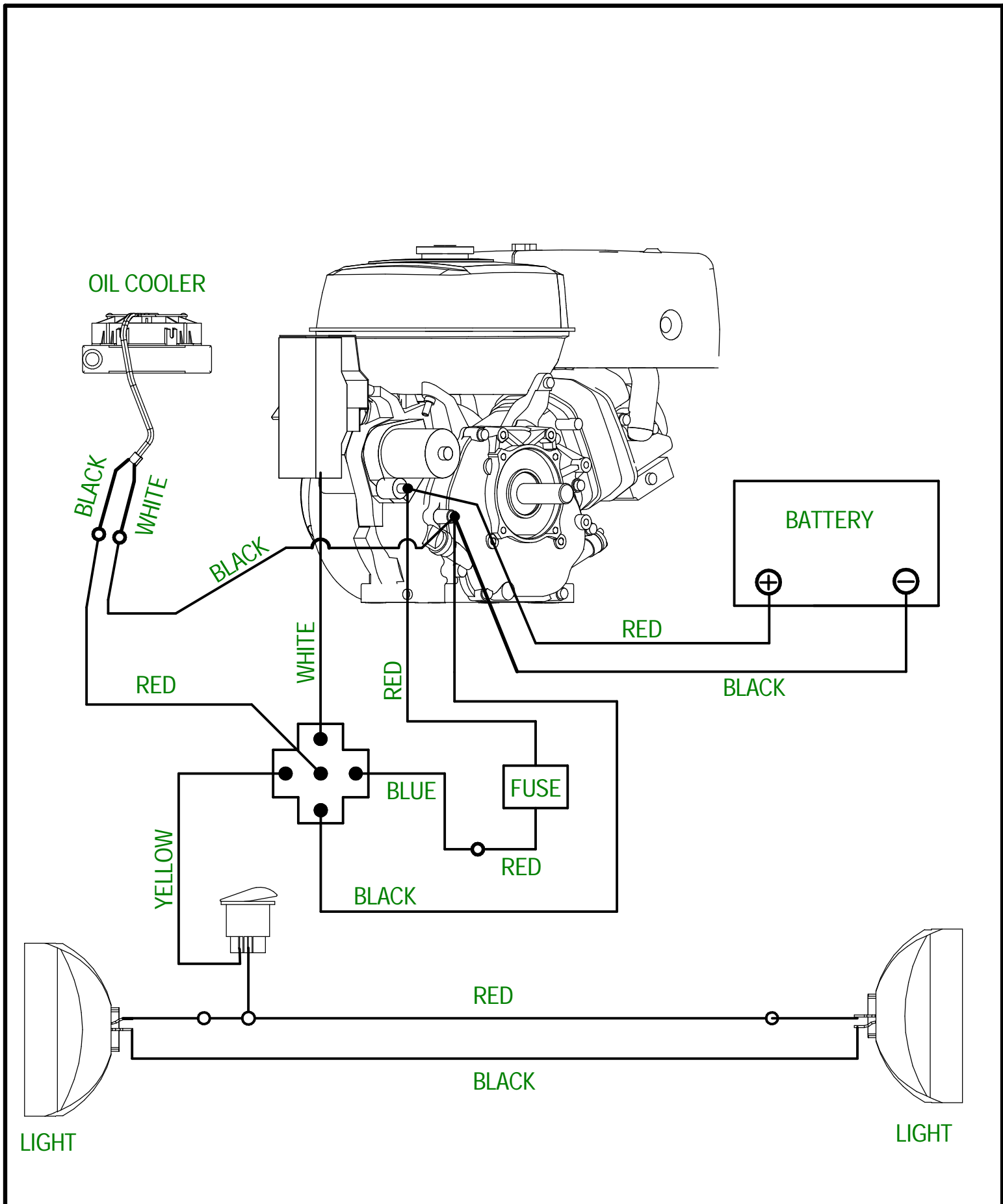
#	PART #	Qty	TITLE
1	NC14-40-0008	1	13 HP HONDA MOTOR GX390 WITH STARTER
2	39-01-1090	1	MUFFLER SUPPORT
3	39-50-0120	1	FUEL ENGINE ADAPTER FOR HYDROSTATIC PUMP
4	39-01-1080	1	MUFFLER SUPPORT
5	39-50-0085	1	MUFFLER SUPPORT
6	01-01-2485	4	FLAT WASHER 14 GA X 13/16"OD X 25/64" ID
7	NC02-32-0012	4	LOCK WASHER ZINC 3/8"
8	NC01-17-0115	2	HEX. BOLT GR2 ZINC 3/8-16 X 1 1/4"
9	NC01-17-0116	2	HEX. BOLT GR2 ZINC 3/8-16 X 1 1/2"
10	36-01-2430	2	FLAT WASHER 14GA X 17/64" I.D. X 13/16" O.D.
11	NC02-32-0010	2	LOCK WASHER ZINC 1/4"
12	NC01-37-0014	2	HEX. BOLT GR8 ZINC 1/4-28 X 3"
13	39-01-2405	1	VOLTAGE REGULATOR HOLDER



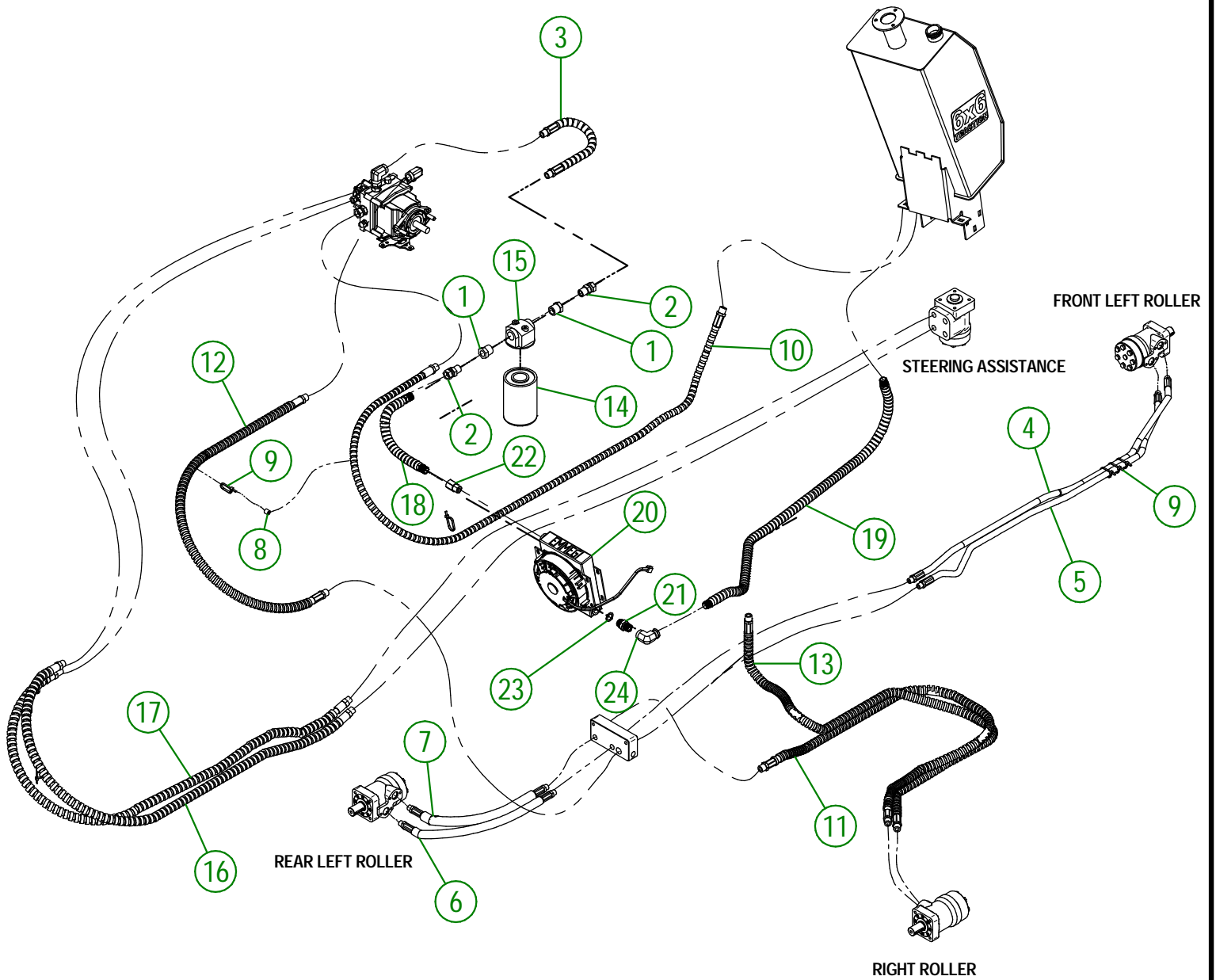
<b>AGRIMETAL</b>	
13 HP 18 AMP HONDA MOTOR WITH STARTER	
CREATION : 22/01/24	ASSEMBLY : <b>39-55-0032</b>
REVISION : 21/02/24	AUTHOR : dessin3







<b>AGRIMETAL</b>		
<b>COMPLETE ELECTRIC WIRING SET</b>		
CREATION : 22/01/24	ASSEMBLY :	<b>39-57-0017</b>
REVISION : 20/08/24	AUTHOR :	dessin3



**AGRIMETAL**  
**HYDRAULIC SYSTEM**

CREATION : 16/01/24  
 REVISION : 02/04/24

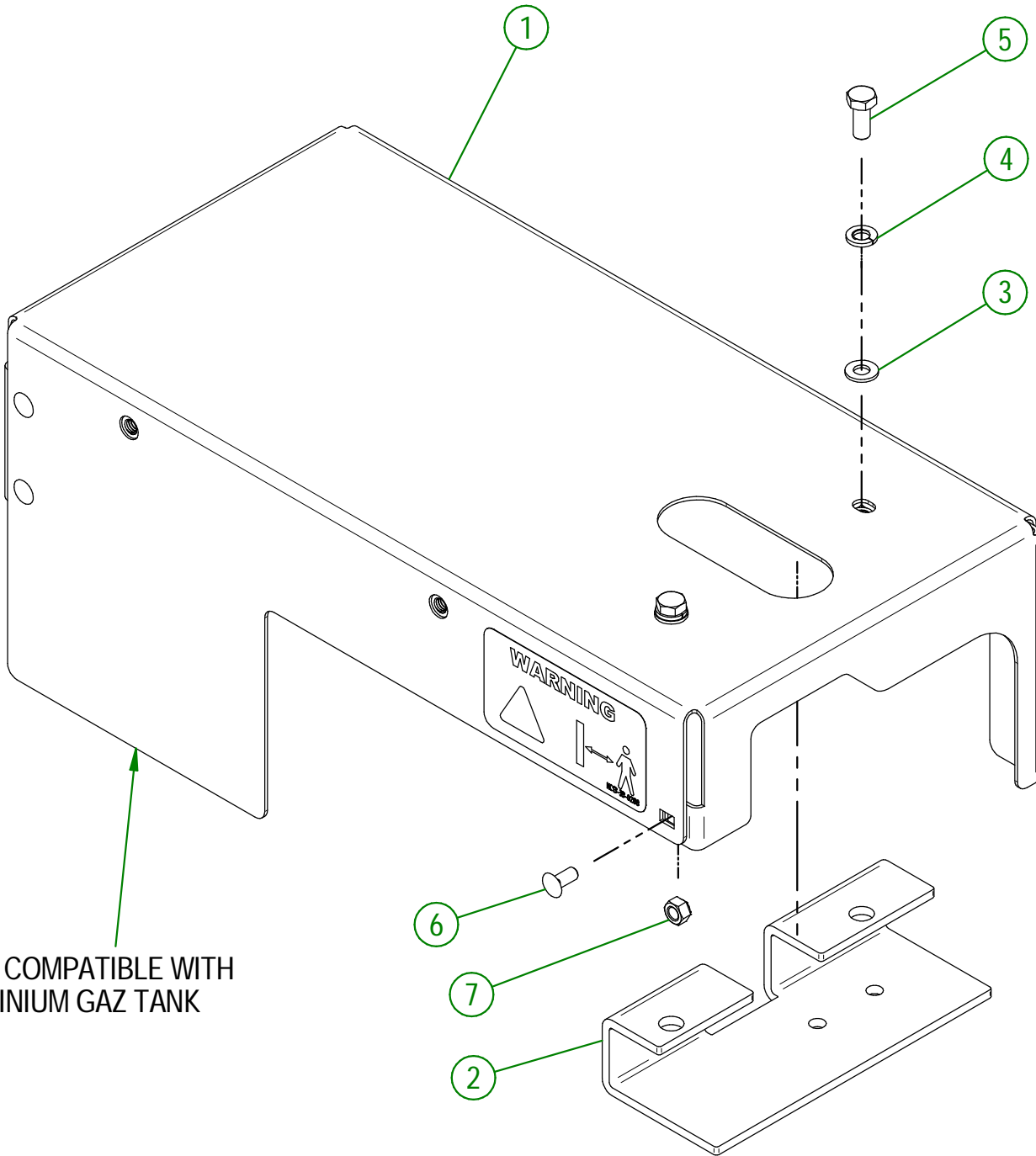
ASSEMBLY : **39-57-0206**  
 AUTHOR : D. Bevins

## 39-57-0206

#	PART #	Qty	TITLE
1	NC13-45-0032	2	STRAIGHT HOSE FITTING 1/2 FEM. NPT X 3/4 MALE NPT
2	NC13-45-0091	2	STRAIGHT HOSE FITTING 1/2 MALE NPTF X 1/2 FEM. SWIVEL
3	NC17-02-0313	1	HYDRAULIC HOSE 19"
4	NC17-02-0312	1	HYDRAULIC HOSE 48 1/2"
5	NC17-02-0312	1	HYDRAULIC HOSE 48 1/2"
6	NC17-02-0408	1	HYDRAULIC HOSE 14"
7	NC17-02-0408	1	HYDRAULIC HOSE 14"
8	NC13-40-0025	1	BLACK GASOLINE HOSE
9	NC13-25-0019	9	NYLON CABLE TIE
10	39-55-0365	1	HYDRAULIC HOSE 75"
11	NC17-02-0315	1	HYDRAULIC HOSE 60"
12	NC17-02-0314	1	HYDRAULIC HOSE 44"
13	NC17-02-0316	1	HYDRAULIC HOSE 66"
14	NC13-45-0048	1	OIL FILTER
15	NC13-45-0049	1	HEAD FILTER
16	NC17-02-0434	1	HYD. HOSE 3/8 X 74"OAL 3/8 NPT MALE RIG. X 3/8 NPT MALE RIG
17	NC17-02-0434	1	HYD. HOSE 3/8 X 74"OAL 3/8 NPT MALE RIG.X 3/8 NPT MALE RIG
18	39-55-0370	1	HYDRAULIC HOSE 11"
19	39-55-0375	1	HYDRAULIC HOSE 46"
20	NC13-45-0399	1	12V OIL COOLER FAN
21	NC13-45-0396	1	1/2" M. BSPP X 1/2" M. NPT STRAIGHT ADAPTOR
22	NC13-45-0398	1	1/2" M. BSPP X 1/2" F. NPT STRAIGHT UNION
23	NC13-45-0397	1	1/2" SEAL
24	NC13-45-0395	1	90° ELBOW NPTF

39-57-5015

#	PART #	Qty	TITLE
1	39-57-5010	1	HYDROSTATIC PUMP GUARD
2	39-50-5005	1	HYDROSTATIC PUMP GUARD SUPPORT
3	NC02-22-0008	2	WASHER ZINC 5/16"
4	NC02-32-0011	2	LOCK WASHER ZINC 5/16"
5	NC01-17-0058	2	HEX. BOLT GR2 ZINC 5/16-18 X 3/4" LG
6	NC01-04-0001	5	CARR. BOLT GR2 ZINC 1/4-20 X 1/2"
7	NC01-96-0009	5	NYLON-INSERT LOCKNUT ZINC 1/4-20



ONLY COMPATIBLE WITH  
ALUMINIUM GAZ TANK

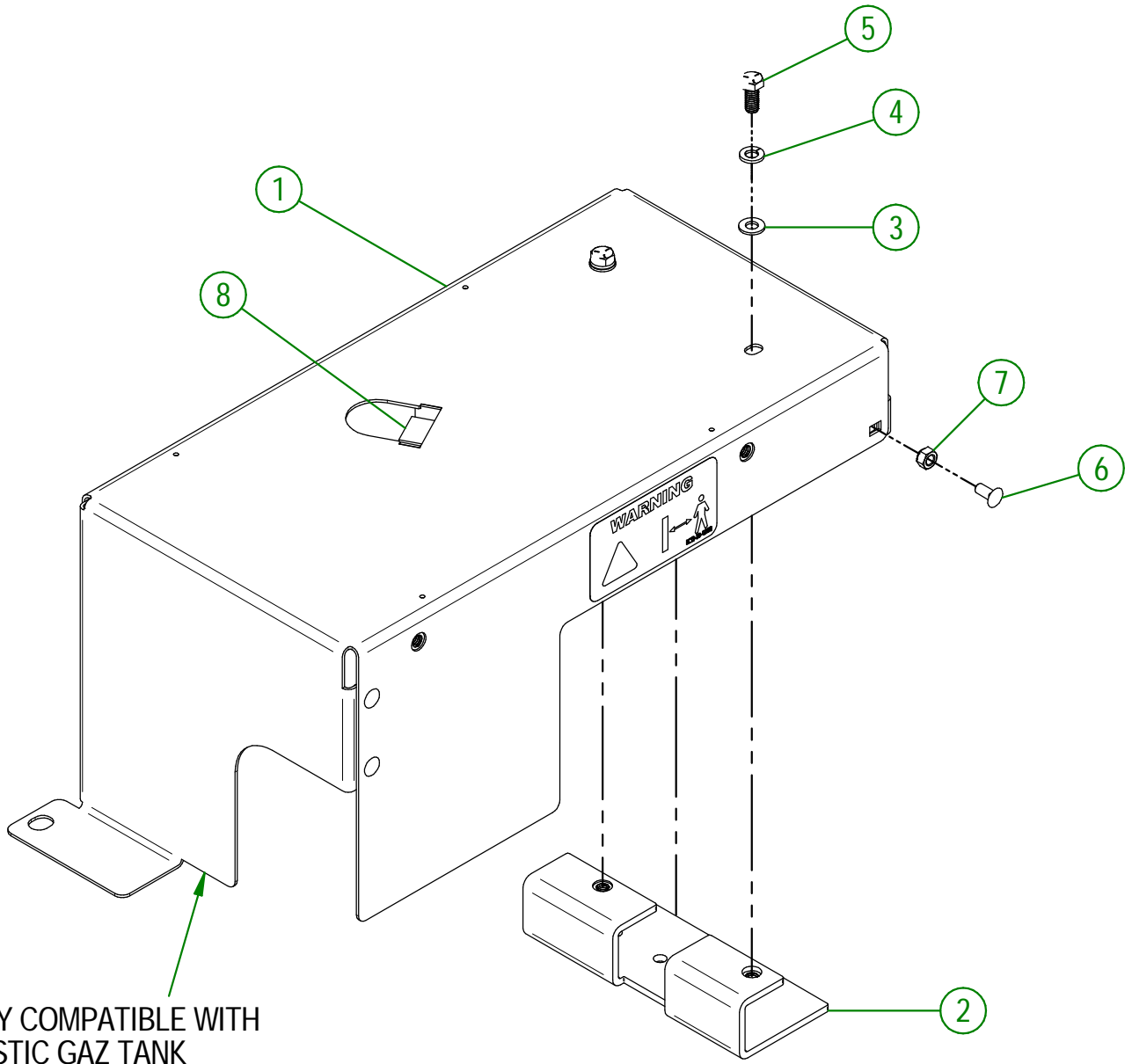
USE THESE PIECES ONLY IF YOUR SERIAL  
NUMBER IS AFFECTED:

BETWEEN #44189 AND 46008

<b>AGRIMETAL</b>	
HYDROSTATIC PUMP GUARD	
CREATION : 08/09/22	ASSEMBLY : <b>39-57-5015</b>
REVISION : 10/07/24	AUTHOR : D. CHASSÉ

39-57-5016

#	PART #	Qty	TITLE
1	39-57-5011	1	HYDROLISTATIC PUMP GUARD
2	39-50-5005	1	HYDROSTATIC PUMP GUARD SUPPORT
3	NC02-22-0008	2	WASHER ZINC 5/16"
4	NC02-32-0011	2	LOCK WASHER ZINC 5/16"
5	NC01-25-0058	2	HEX BOLT GR5 ZINC PLATED 5/16-18 X 3/4"
6	NC01-04-0001	5	CARR. BOLT GR2 ZINC 1/4-20 X 1/2"
7	NC01-96-0009	5	NYLON-INSERT LOCKNUT ZINC 1/4-20
8	39-42-0130	1	RUBBER FOAM SEAL TAPE BLACK 3/8" X 3/4" X 1" LG



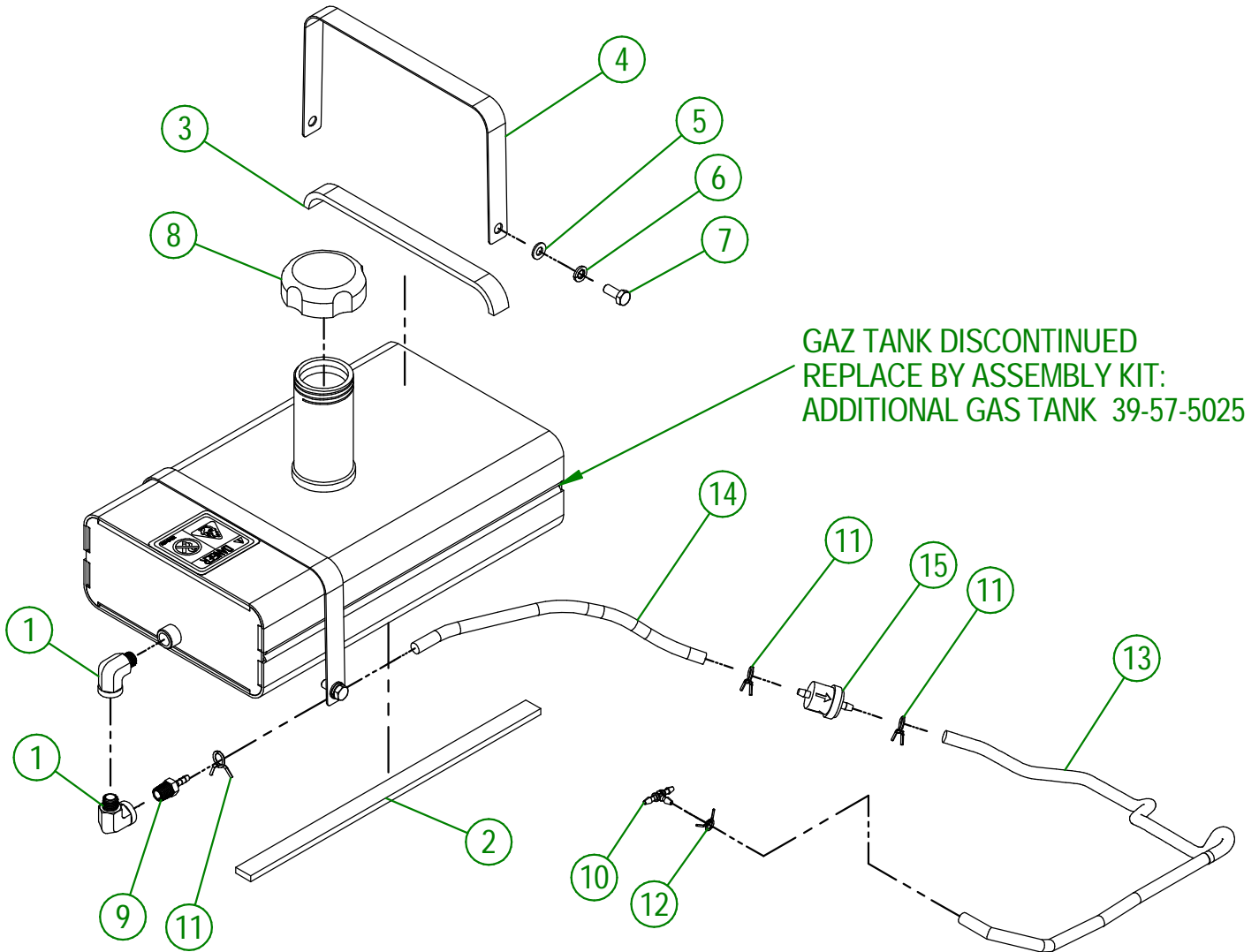
ONLY COMPATIBLE WITH  
PLASTIC GAZ TANK

USE THESE PIECES ONLY IF YOUR SERIAL  
NUMBER IS AFFECTED:

#46009 AND MORE

<b>AGRIMETAL</b>	
HYDROLISTATIC PUMP GUARD	
CREATION : 28/05/24	ASSEMBLY : <b>39-57-5016</b>
REVISION : 10/07/24	AUTHOR : M. HOULE

#	PART #	Qty	TITLE
1	NC13-45-0142	2	90° 1/4 FEMELLE NPT X 1/4 MALE NPT
2	39-42-0090	2	RUBBER FOAM SEAL TAPE BLACK 1/4" X 3/4" X 14 1/2" LG
3	39-42-0095	2	RUBBER FOAM SEAL TAPE BLACK 1/4" X 3/4" X 9 7/8" LG
4	39-01-6600	2	GAS TANK STRIP SUPPORT
5	NC02-22-0008	4	WASHER ZINC 5/16"
6	NC02-32-0011	4	LOCK WASHER ZINC 5/16"
7	NC01-17-0058	4	HEX. BOLT GR2 ZINC 5/16-18 X 3/4" LG
8	NC13-37-0673	1	GAS CAP
9	NC13-68-0022	1	BRASS BARBED FITTING 3/16" X 1/4" NPT
10	NC13-68-0032	1	PLASTIC BARBED TEE FITTING TEE CONNECTOR 3/16" (GASOLINE)
11	NC01-65-0305	3	CONSTANT-TENSION SPRING CLAMPS 7/16"
12	NC01-65-0304	1	CONSTANT-TENSION SPRING CLAMPS 5/16"
13	39-46-0160	1	1/4" GAS LINE
14	39-46-0165	1	1/4" GAS LINE
15	NC13-37-0688	1	3/16 GAS FILTER



GAZ TANK DISCONTINUED  
 REPLACE BY ASSEMBLY KIT:  
 ADDITIONAL GAS TANK 39-57-5025

USE THESE PIECES ONLY IF YOUR SERIAL  
 NUMBER IS AFFECTED:  
 #46008 OR LESS

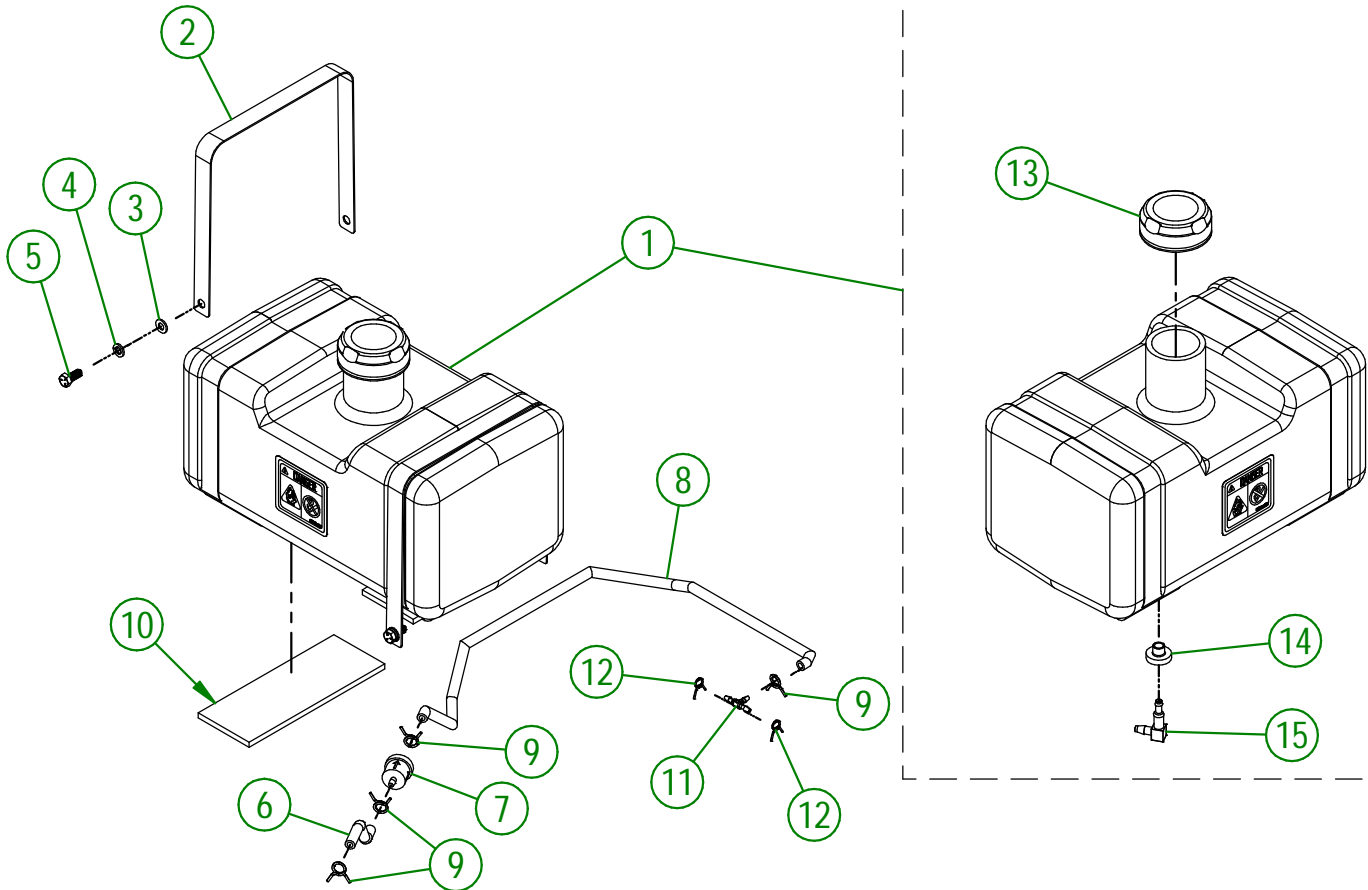
<b>AGRIMETAL</b>	
<b>GAS TANK OPTIONAL</b>	
CREATION : 08/09/22	ASSEMBLY : <b>39-57-5020</b>
REVISION : 10/07/24	AUTHOR : D. CHASSÉ

39-57-5022

#	PART #	Qty	TITLE
1	39-57-5008	1	GAZ TANK
2	39-01-6605	2	GAS TANK STRIP SUPPORT
3	NC02-22-0008	4	WASHER ZINC 5/16"
4	NC02-32-0011	4	LOCK WASHER ZINC 5/16"
5	NC01-25-0058	4	HEX BOLT GR5 ZINC PLATED 5/16-18 X 3/4"
6	39-46-0170	1	GAZ LINE
7	NC13-37-0688	1	3/16 GAS FILTER
8	39-46-0175	1	GAZ LINE
9	NC01-65-0305	4	CONSTANT-TENSION SPRING CLAMPS 7/16"
10	39-42-0205	2	RUBBER FAOM SEAL TAPE BLACK 1/4" X 3" X 8"
11	NC13-68-0032	1	PLASTIC BARBED TEE FITTING TEE CONNECTOR 3/16" (GASOLINE)
12	NC01-65-0304	2	CONSTANT-TENSION SPRING CLAMPS 5/16"

39-57-5008

#	PART #	Qty	TITLE
13	NC13-80-0317	1	GAZ CAP
14	NC13-80-0319	1	GROMMET VITRON #468661
15	NC13-80-0318	1	90° ELBOW X 1/4" GAS LINE

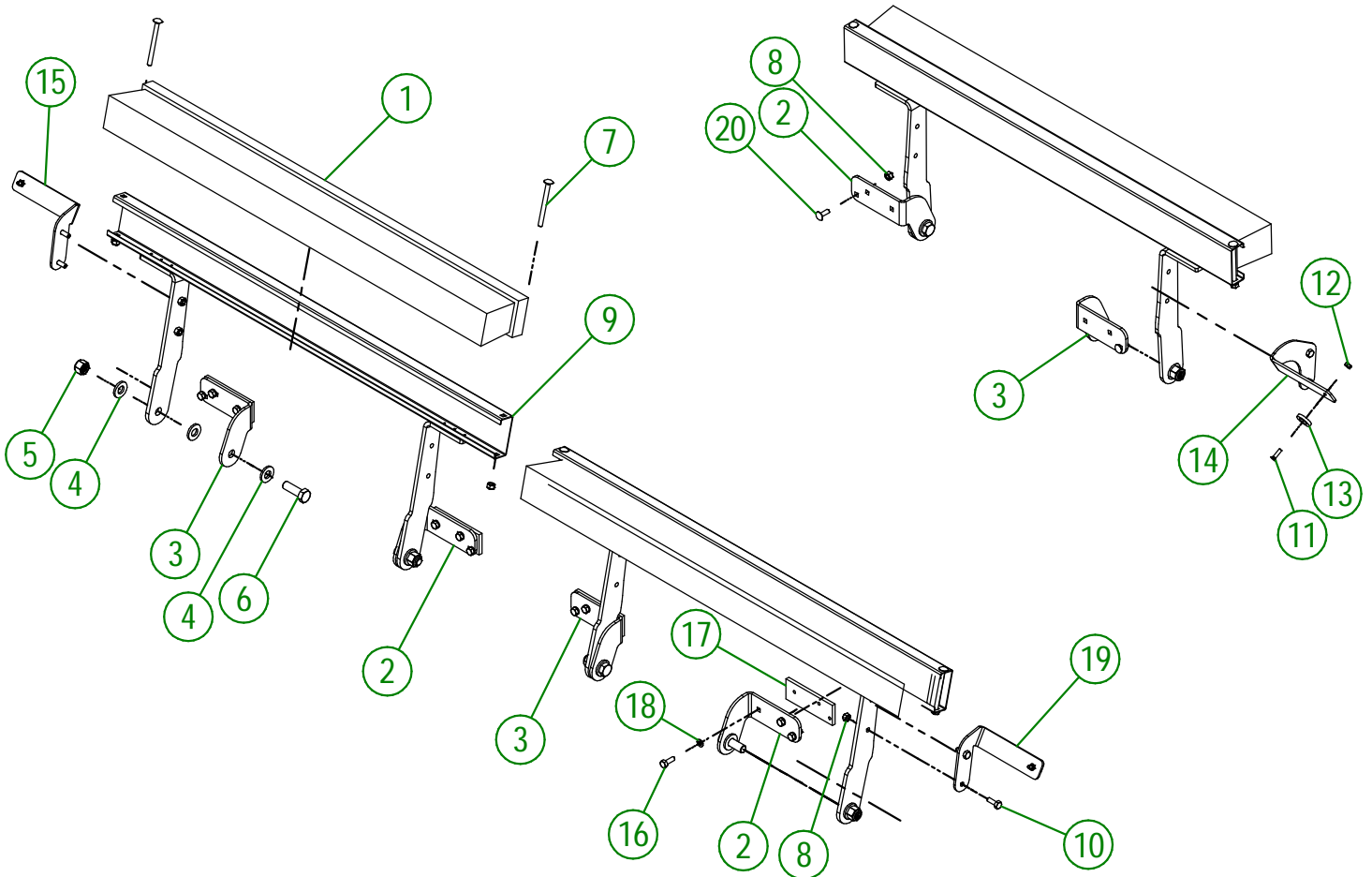


USE THESE PIECES ONLY IF YOUR SERIAL NUMBER IS AFFECTED:

#46009 ET PLUS

AGRIMETAL	
3 GALLON GAZ TANK	
CREATION : 29/05/24	ASSEMBLY : 39-57-5022
REVISION : 10/07/24	AUTHOR : M. HOULE

#	PART #	Qty	TITLE
1	NC13-80-0293	3	BRUSH
2	39-04-0506	3	RIGHT BRUSH HOLDER
3	39-04-0510	3	RIGHT BRUSH HOLDER
4	NC02-25-0011	18	WASHER SAE ZINC 17/32 ID
5	NC01-96-0014	6	NYLON-INSERT LOCKNUT ZINC 1/2-13
6	NC01-17-0249	6	HEX. BOLT GR2 ZINC 1/2-13 X 1 1/2"
7	NC01-02-0013	6	CARR. BOLT GR2 ZINC 1/4-20 X 3/4"
8	NC01-96-0009	14	NYLON-INSERT LOCKNUT ZINC 1/4-20
9	39-50-9001	3	BRUSH HOLDER
10	NC01-17-0004	4	HEX. BOLT GR2 ZINC 1/4-20 X 3/4"
11	NC02-36-0110	3	MACHINE SCREW FLAT HEAD 10-24 X 3/4" LG.
12	NC01-96-0006	3	NYLON NUT ZINC 3/16
13	NC13-05-0008	3	MAGNET
14	39-01-0296	1	MAGNET HOLDER (RIGHT)
15	39-01-0410	1	MAGNET HOLDER (LEFT FRONT)
16	NC01-25-0004	14	HEX. BOLT GR5 ZINC 1/4-20 X 3/4"
17	39-05-0105	4	PLATE FOR BRUSH HOLDER
18	NC02-32-0010	12	LOCK WASHER ZINC 1/4"
19	39-01-0415	1	MAGNET HOLDER (LEFT BACK)
20	NC01-04-0003	2	CARR. BOLT GR2 ZINC 1/4-20 X 3/4"



**AGRIMETAL**  
**BRUSH OPTION**

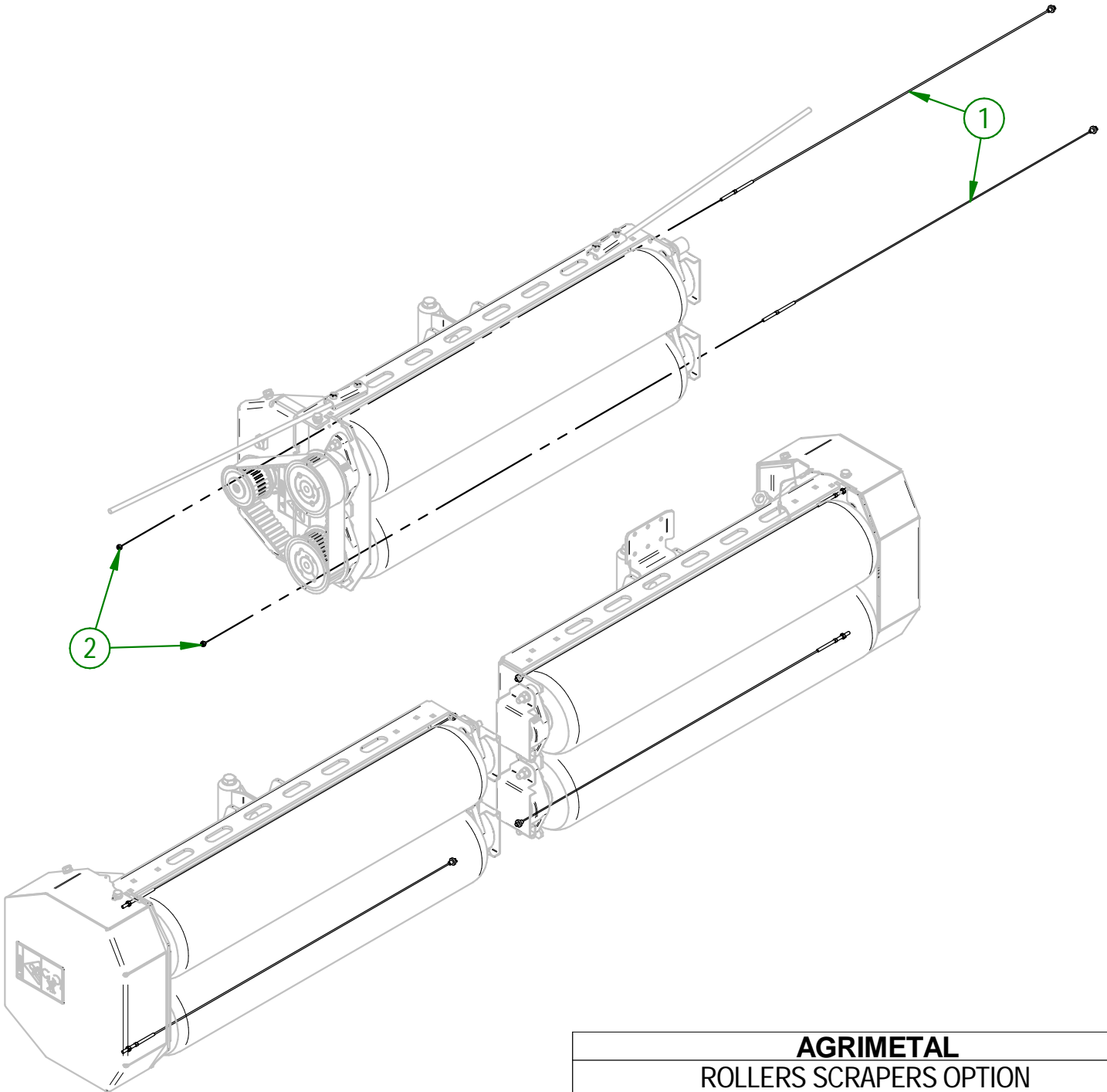
CREATION : 17/01/24  
REVISION : 17/01/24

ASSEMBLY : **39-57-9200**  
AUTHOR : D. CHASSÉ

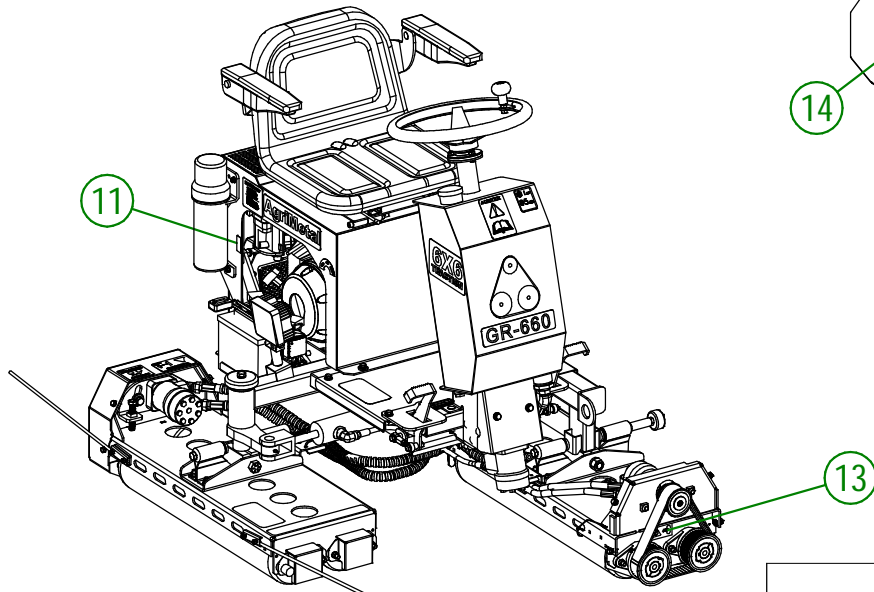
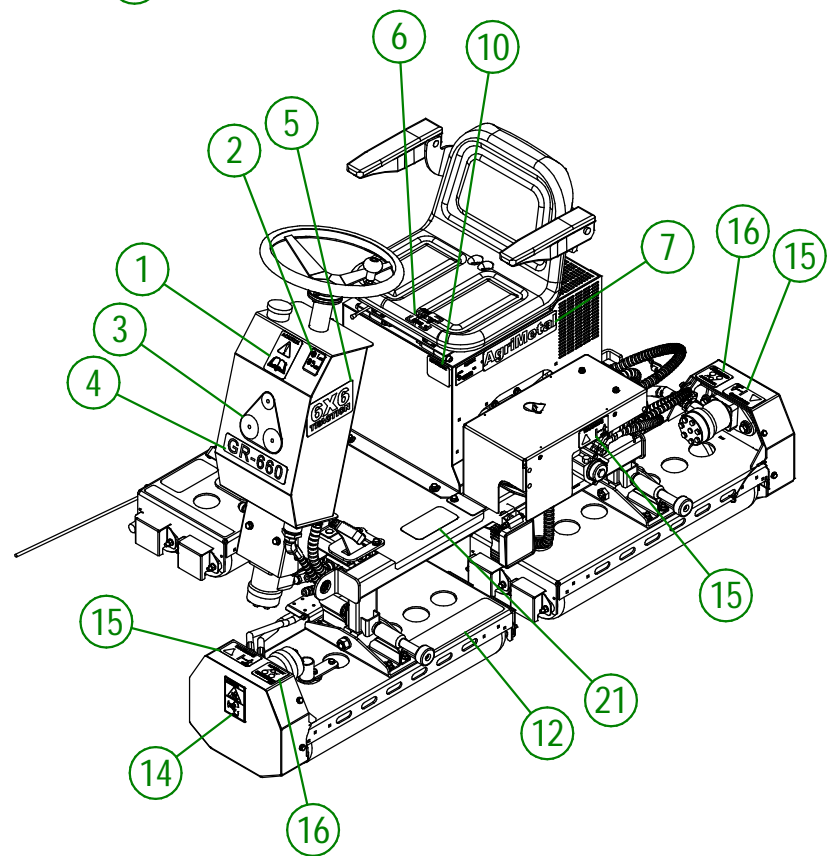
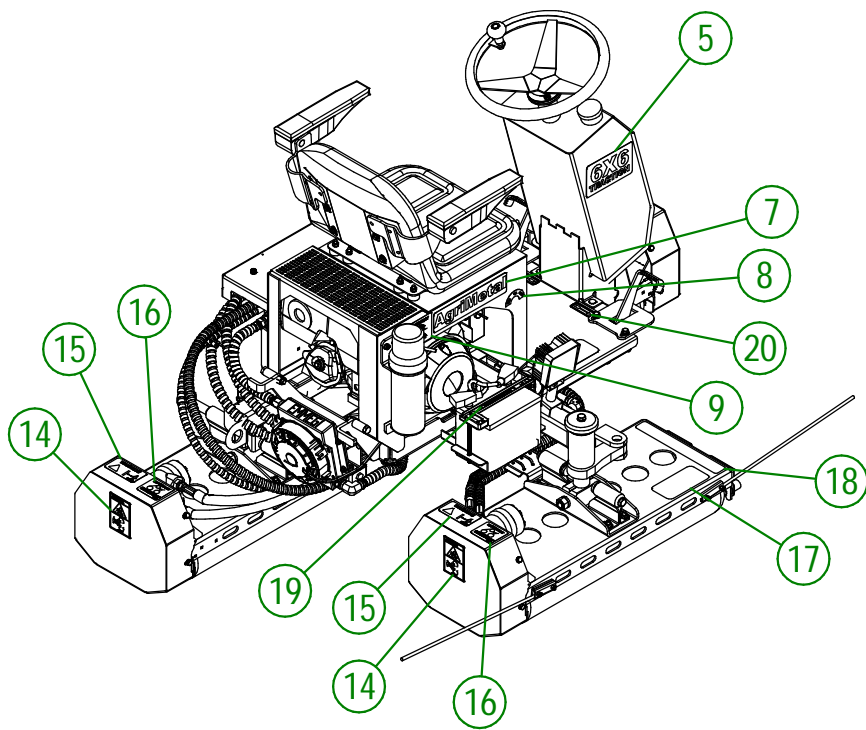


39-57-9210

#	PART #	Qty	TITLE
1	NC17-02-0438	6	GR660 CABLE SS 3/32" DIA X 31 3/4"
2	NC02-14-2502	6	NYLON NUT HEX. ZINC M5 X 0.80



<b>AGRIMETAL</b>	
ROLLERS SCRAPERS OPTION	
CREATION : 21/05/24	ASSEMBLY : <b>39-57-9210</b>
REVISION : 21/05/24	AUTHOR : D. CHASSÉ



<b>AGRIMETAL</b>	
<b>GREEN ROLLER GR-660-G</b>	
CREATION : 13/03/24	ASSEMBLY : <b>39-99-0015</b>
REVISION : 27/06/24	AUTHOR : D. Bevins

39-99-0015

#	PART #	QTY	TITLE
1	NC13-33-0183	1	STICKER CAUTION OPERATION MANUAL
2	NC13-33-0340	1	STICKER 85 DB
3	NC13-33-2678	1	STICKER SYNCHRO BELT DRIVE
4	NC13-33-2685	1	STICKER GR 660
5	NC13-33-2683	2	STICKER 6 X 6
6	NC13-33-0185	1	STICKER PICTOGRAM (FIRE + CIGARETTE)
7	NC13-33-2687	2	STICKER AGRIMETAL
8	NC13-33-0095	1	STICKER OFF ON START
9	NC13-33-0151	1	STICKER (IMPORTANT TO PREVENT ENGINE FAILURE...)
10	NC13-33-0178	1	STICKER IMPORTANT PLEASE CHECK OIL LEVEL...
11	NC13-33-2662	1	ON OFF CHOKE/GAZ STICKER
12	NC13-80-0083	1	STICKER ANTI-SCRATCH 3" X 12"
13	NC13-33-0351	3	STICKER DANGER
14	NC13-33-0282	3	STICKER DANGER
15	NC13-33-0288	4	STICKER WARNING HIGH-PRESSURE LIQUID
16	NC13-33-0355	3	TENSION BELT STICKER
17	NC13-80-0082	1	STICKER ANTI-SCRATCH 3" X 6"
18	NC13-80-0081	1	STICKER ANTI-SLIP ROUND CORNER BLACK 1 1/2" X 12"
19	NC13-33-0350	1	STICKER LIGHT SWITCH
20	NC13-33-0124	2	STICKER STEERING ARROW
21	NC13-80-0314	2	STICKER ANTI-SCRATCH 3" X 10"