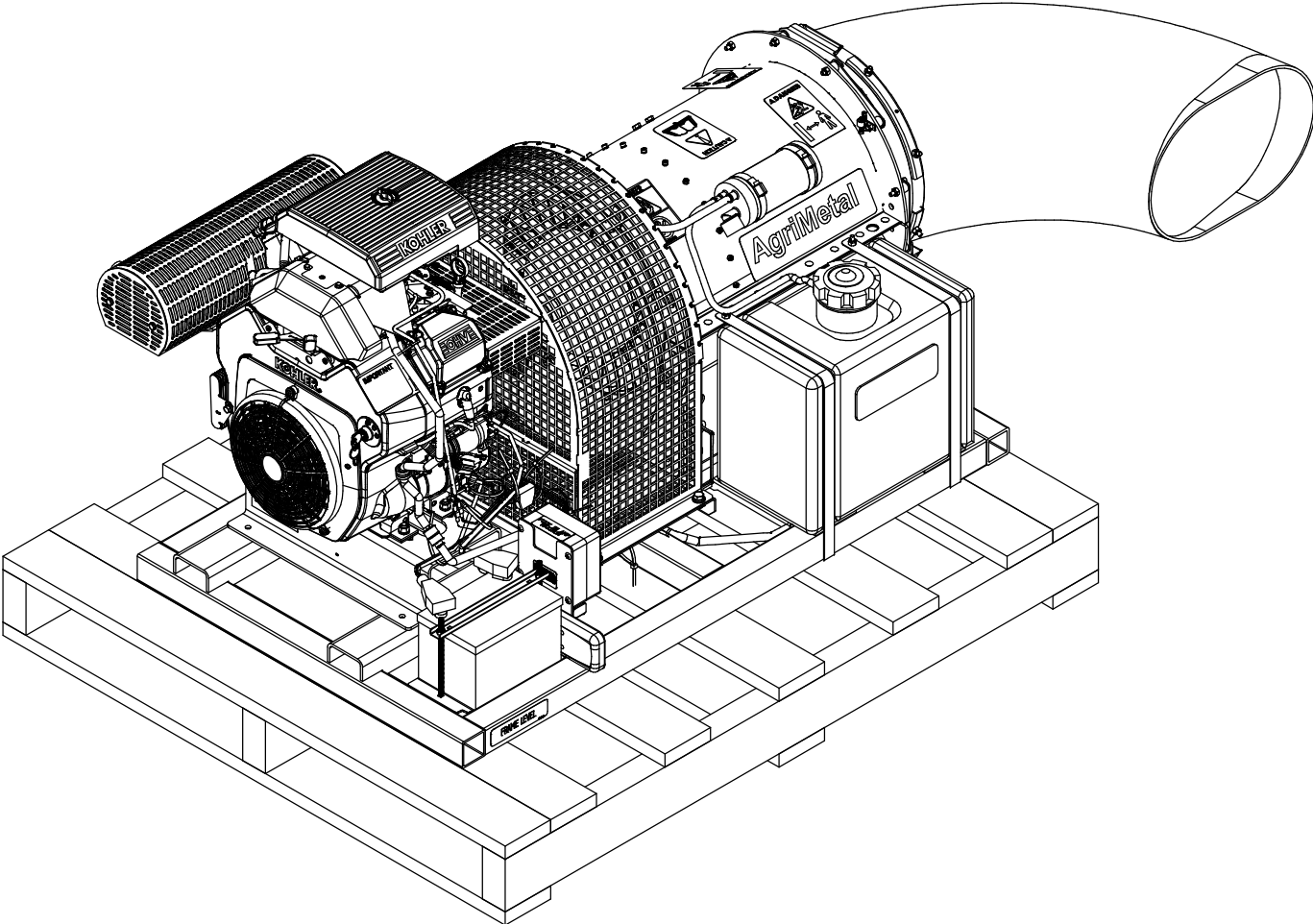
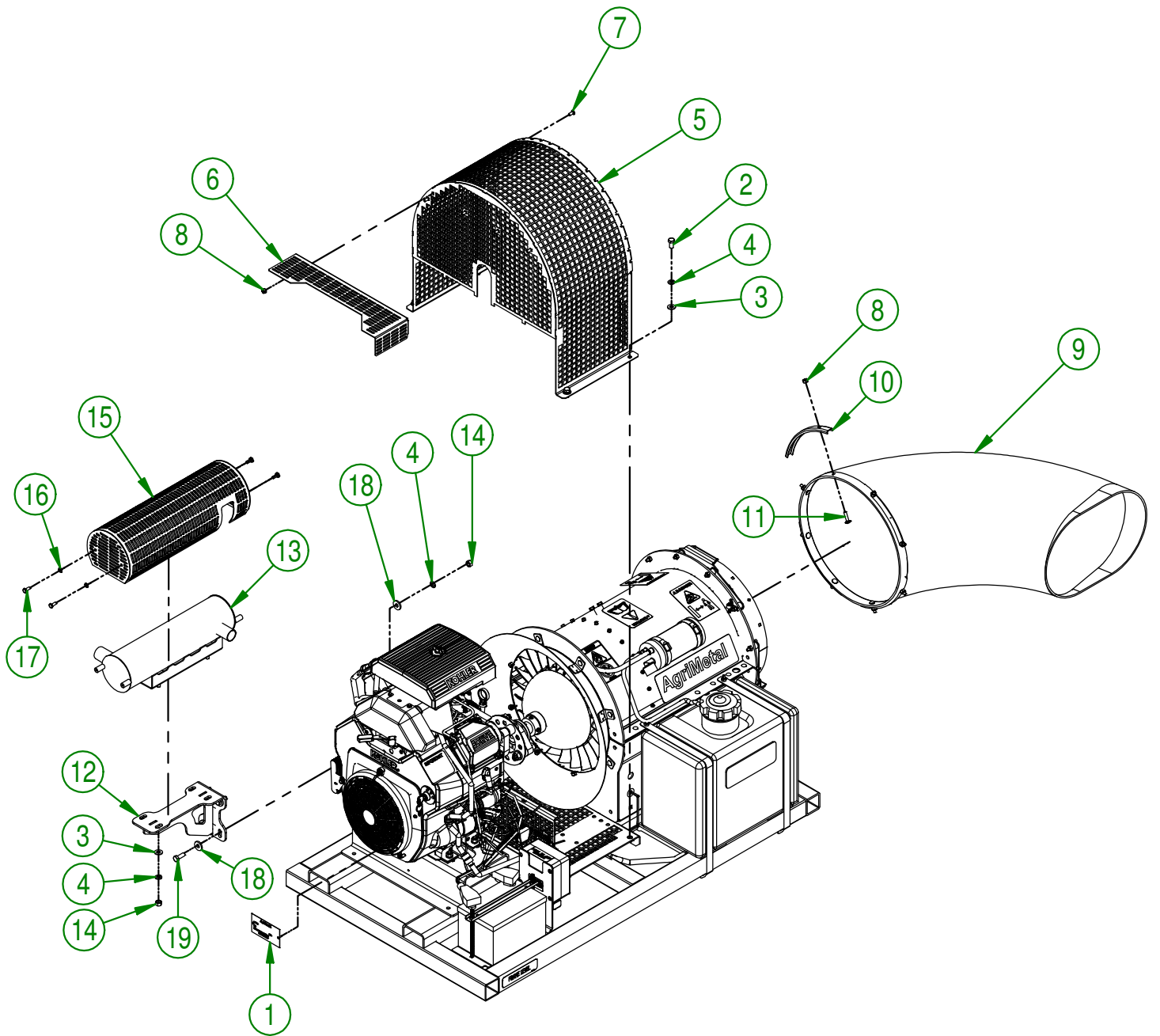


AgriMetal

PARTS LIST



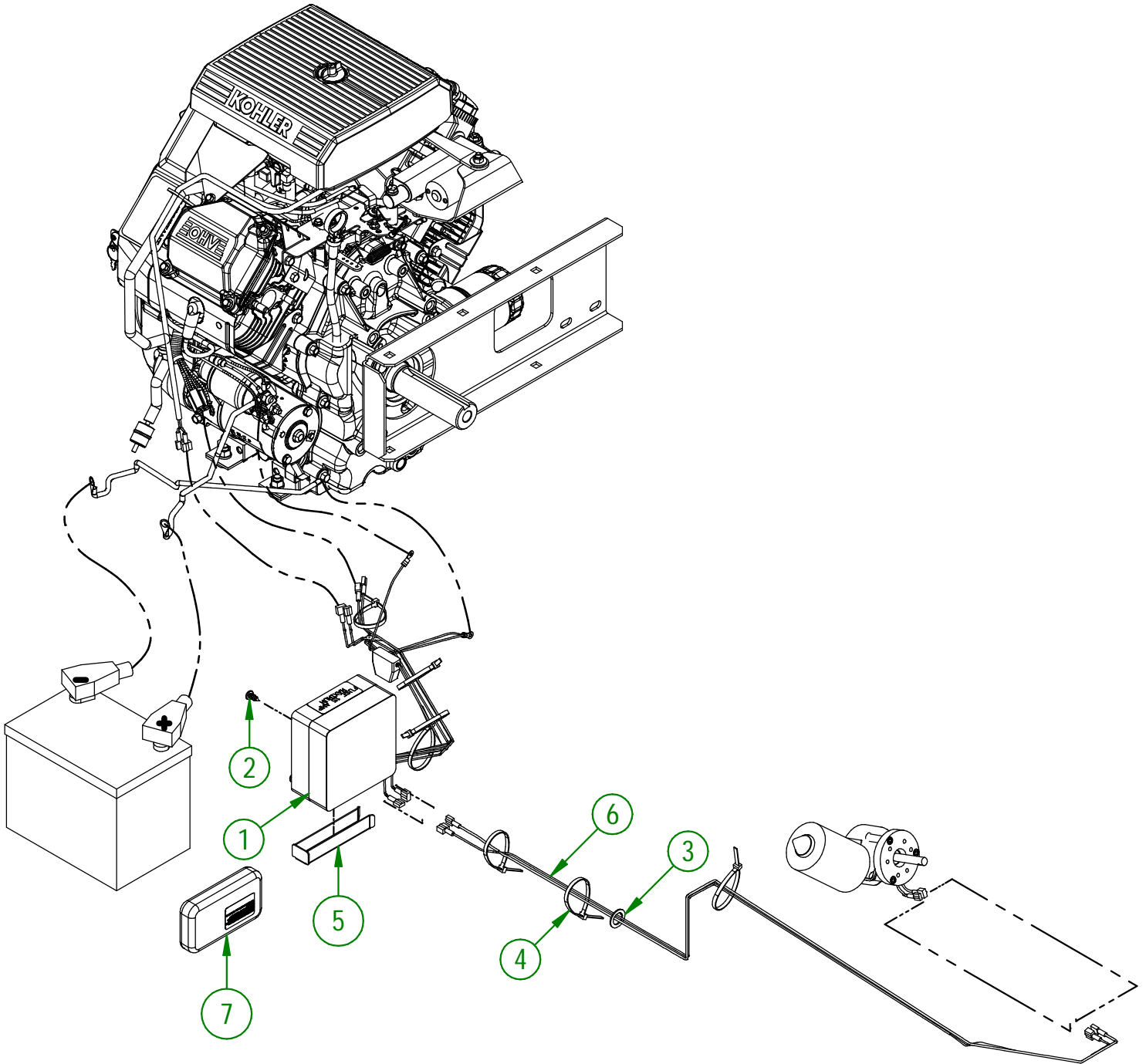
TB 270 CARB (WITHOUT WHEELS)



| | |
|--------------------------------|---------------------------------|
| AGRIMETAL | |
| TURBINE BLOWER 270 CARB | |
| CREATION : 18/09/18 | ASSEMBLY : 33-99-3006 |
| REVISION : 24/09/19 | AUTHOR : J.KABWE Page 1 de 18 |

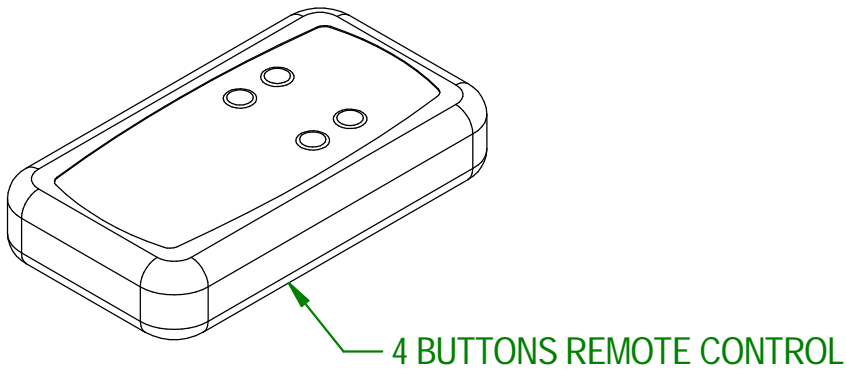
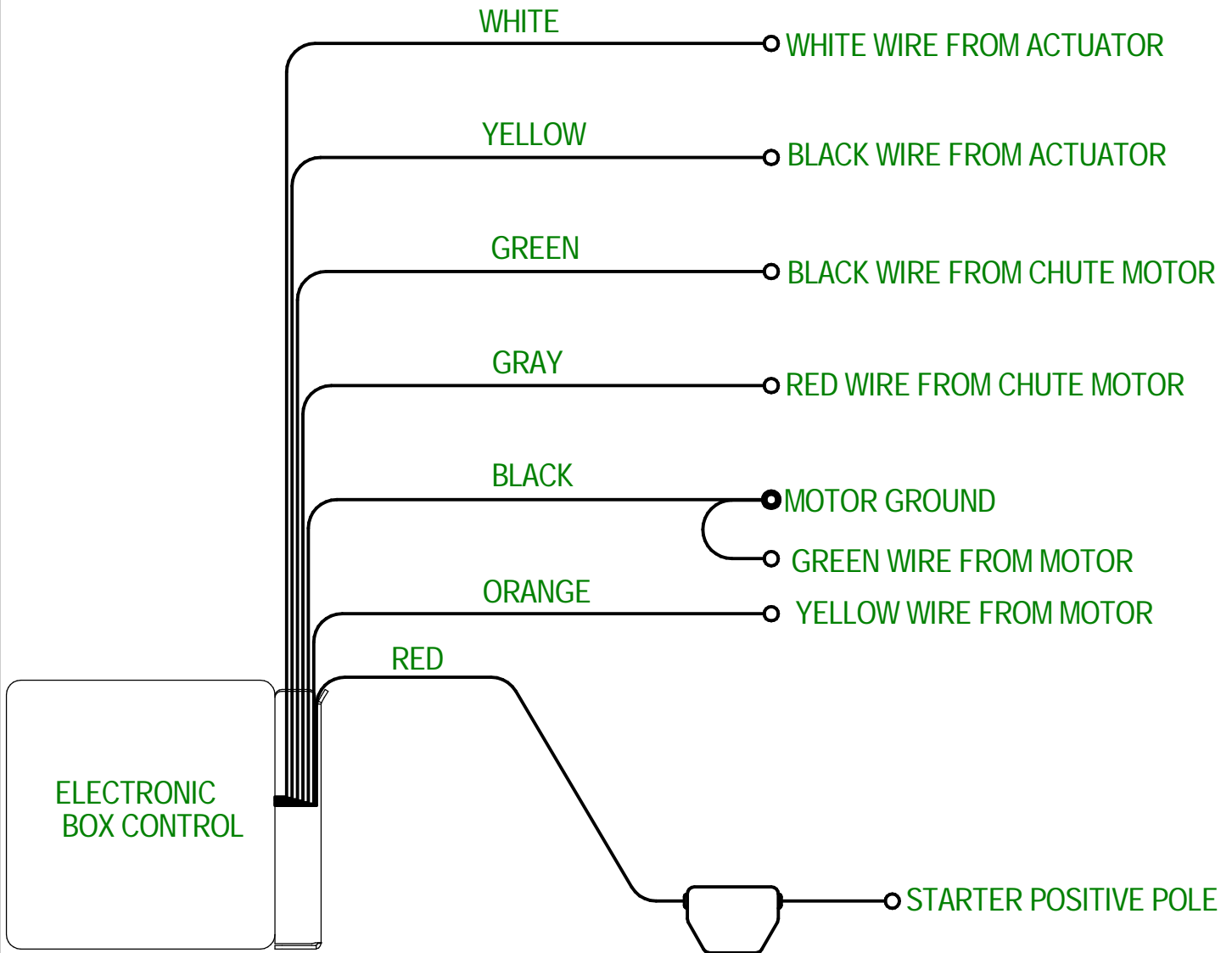
| # | PART # | Qty | TITLE |
|----|--------------|-----|--|
| 1 | 25-55-0710 | 1 | SERIAL NUMBER PLATE |
| 2 | NC01-17-0112 | 4 | HEX. BOLT GR2 ZINC 3/8-16 X 3/4" |
| 3 | 01-01-2485 | 8 | FLAT WASHER 14 GA X 13/16"OD X 25/64" ID |
| 4 | NC02-32-0012 | 12 | LOCK WASHER ZINC 3/8" |
| 5 | 33-50-0035 | 1 | EXHAUST (TB-270) |
| 6 | 33-01-0025 | 1 | EXHAUST TUBE GUARD |
| 7 | NC01-04-0001 | 5 | CARR. BOLT GR2 ZINC 1/4-20 X 1/2" |
| 8 | NC01-96-0009 | 13 | NYLON-INSERT LOCKNUT ZINC 1/4-20 |
| 9 | 33-42-0005 | 1 | 90° PLASTIC ELBOW |
| 10 | 33-01-2480 | 4 | DUCT CLAMP |
| 11 | NC01-04-0005 | 8 | CARR. BOLT GR2 ZINC 1/4-20 X 1" |
| 12 | 22-50-0300 | 1 | MUFFLER SUPPORT (KOHLER 27 HP) |
| 13 | 33-50-1050 | 1 | 27 HP KOHLER MUFFLER |
| 14 | NC02-07-0018 | 8 | HEX. NUT ZINC 3/8-16 |
| 15 | 33-50-1055 | 1 | MUFFLER GUARD (27 HP KOHLER) |
| 16 | NC02-32-0010 | 4 | LOCK WASHER ZINC 1/4" |
| 17 | NC01-29-0003 | 4 | HEX. BOLT GR5 ZINC 1/4-28 X 5/8" |
| 18 | 21-01-0950 | 8 | FLAT WASHER 10GA 1.005" DIA X 25/64" |
| 19 | NC01-17-0114 | 4 | HEX. BOLT GR2 ZINC 3/8-16 X 1" |

| # | PART # | QTY | TITLE |
|---|--------------|-----|--|
| 1 | NCI3-25-0369 | 1 | ELECTRIC BOX TB 270 |
| 2 | NC02-42-0096 | 4 | PHILLIPS SCREW ZINC #14 X 5/8" |
| 3 | NCI3-15-0055 | 1 | INSULATING ROLLED COLLAR 7/16"ID X 15/16"OD X 5/16"T |
| 4 | NCI3-25-0019 | 10 | BLACK TIE RAP |
| 5 | 33-22-2240 | 1 | WIRE PROTECTOR |
| 6 | NCI3-25-0374 | 1 | WIRE 46"(NEW BOX) |
| 7 | 33-57-0076 | 1 | REMOTE CONTROL GROUP. |



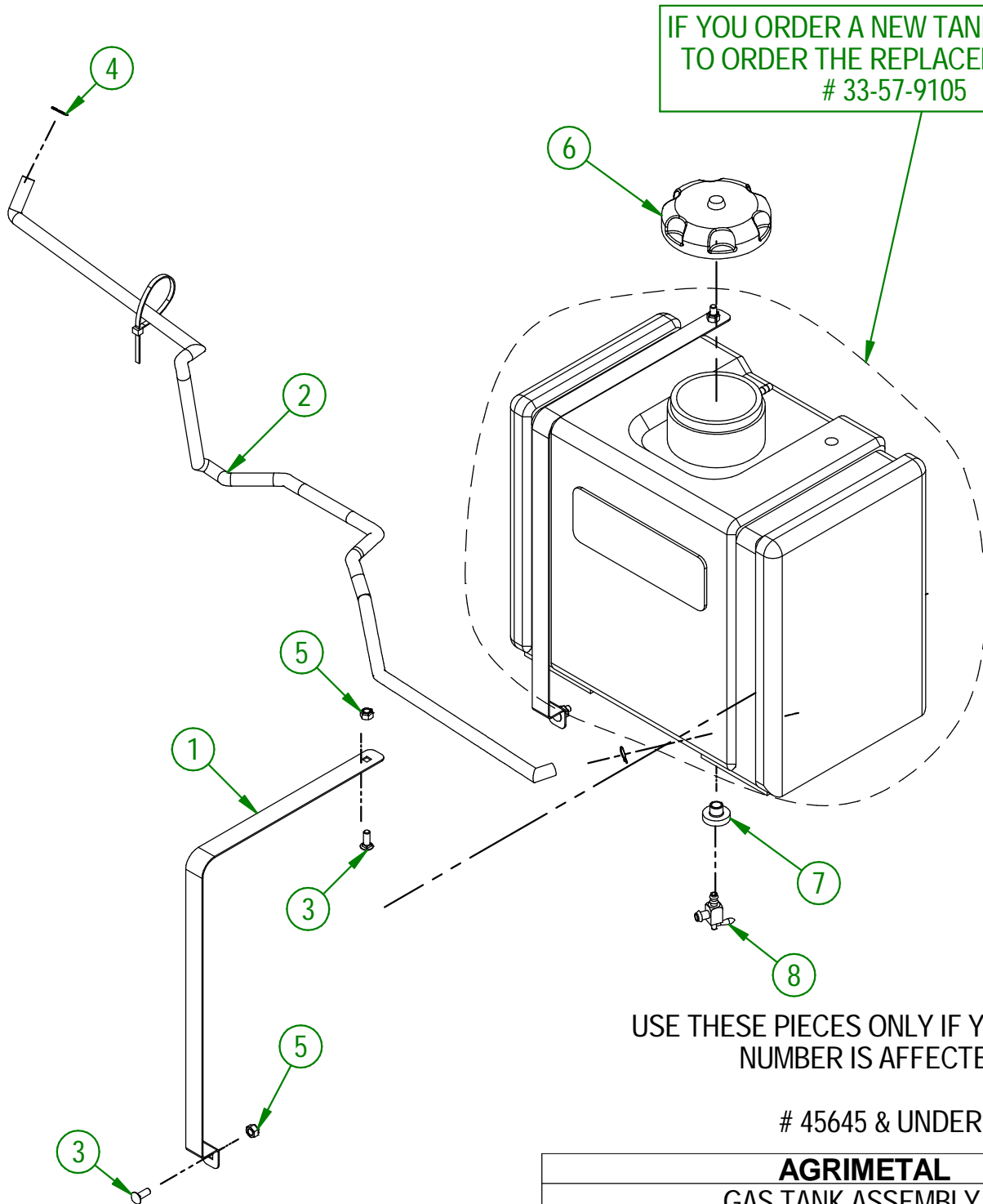
| | |
|---------------------------|------------------------------|
| AGRIMETAL | |
| TURBINE BLOWER 270 | |
| CREATION : 23/02/24 | ASSEMBLY : 33-99-3006 |
| REVISION : 23/02/24 | AUTHOR : J.KABWE |

TB 270



| | |
|-------------------------------|------------------------------|
| AGRIMETAL | |
| ELECTRONIC BOX CONTROL GROUP. | |
| CREATION : 12/02/24 | ASSEMBLY : 33-57-0006 |
| REVISION : 12/02/24 | AUTHOR : J.KABWE |

| # | PART # | Qty | TITLE |
|---|--------------|-----|-------------------------------------|
| 1 | 33-01-3045 | 2 | GAS TANK STRAP |
| 2 | 33-46-0532 | 1 | GAS HOSE 1/2" DIA.X 1/4" D.I. X 37" |
| 3 | NC01-04-0002 | 4 | CARR. BOLT GR2 ZINC 1/4-20 X 5/8" |
| 4 | NC01-65-0201 | 2 | SPRING -GRIP HOSE CLAMPS 1/2" O.D |
| 5 | NC01-96-0009 | 4 | NYLON-INSERT LOCKNUT ZINC 1/4-20 |
| 6 | NC13-80-0247 | 1 | GAS CAP |
| 7 | NC13-80-0265 | 1 | GROMMET VITRON #468661 |
| 8 | NC13-80-0266 | 1 | 1/4" ON-OFF GAS VALVE |



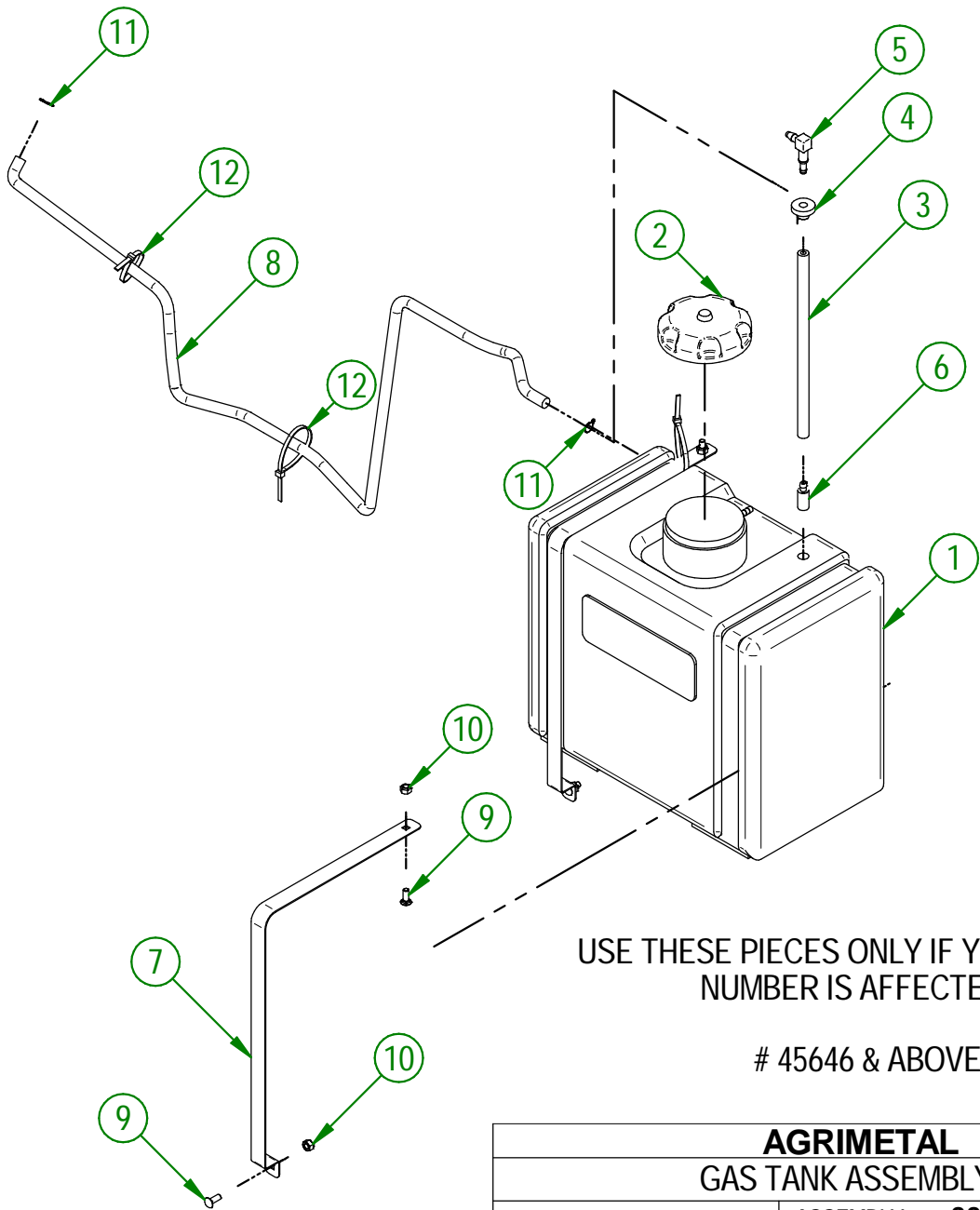
IF YOU ORDER A NEW TANK YOU HAVE TO ORDER THE REPLACEMENT KIT # 33-57-9105

USE THESE PIECES ONLY IF YOUR SERIAL NUMBER IS AFFECTED:

45645 & UNDER

| | |
|--------------------------|------------------------------|
| AGRIMETAL | |
| GAS TANK ASSEMBLY | |
| CREATION : 28/05/24 | ASSEMBLY : 33-57-0130 |
| REVISION : 28/05/24 | AUTHOR : J.KABWE |

| # | PART # | Qty | TITLE |
|----|--------------|-----|-------------------------------------|
| 1 | NC13-80-0321 | 1 | GAS TANK |
| 2 | NC13-80-0247 | 1 | GAS CAP |
| 3 | 33-46-0035 | 1 | 1/4" GAZ LINE X 12" LG |
| 4 | NC13-80-0324 | 1 | GROMMET VITRON |
| 5 | NC13-80-0323 | 1 | 90° ELBOW X 1/4" GAS LINE |
| 6 | 33-13-0015 | 1 | GAZ LINE WEIGH |
| 7 | 33-01-3045 | 2 | GAS TANK STRAP |
| 8 | 33-46-0545 | 1 | GAS HOSE 1/2" DIA X 1/4" D.I. X 50" |
| 9 | NC01-04-0002 | 4 | CARR. BOLT GR2 ZINC 1/4-20 X 5/8" |
| 10 | NC01-96-0009 | 4 | NYLON-INSERT LOCKNUT ZINC 1/4-20 |
| 11 | NC01-65-0201 | 2 | SPRING -GRIP HOSE CLAMPS 1/2" O.D |
| 12 | NC13-25-0019 | 3 | BLACK TIE RAP |



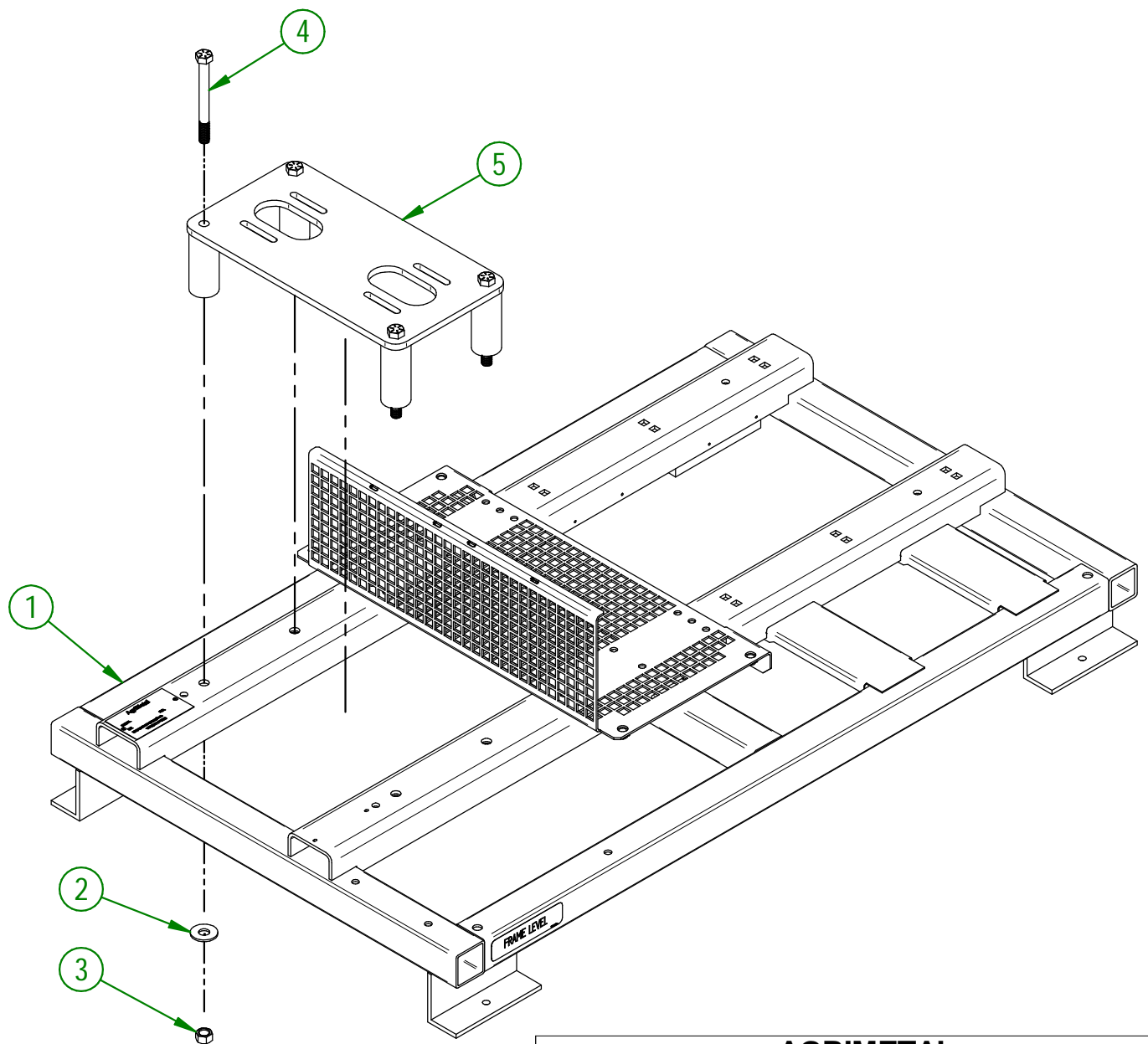
USE THESE PIECES ONLY IF YOUR SERIAL NUMBER IS AFFECTED:

45646 & ABOVE

| | |
|--------------------------|------------------------------|
| AGRIMETAL | |
| GAS TANK ASSEMBLY | |
| CREATION : 15/05/24 | ASSEMBLY : 33-57-0165 |
| REVISION : 28/05/24 | AUTHOR : D. CHASSÉ |

33-57-2525

| # | PART # | Qty | TITLE |
|---|--------------|-----|---|
| 1 | 33-57-2505 | 1 | ASSEMBLY FRAME STICKER INCLUDED |
| 2 | NC02-22-0012 | 4 | WASHER ZINC 1/2 BOLT = 9/16"Ø X 1 3/8" OD |
| 3 | NC01-94-0013 | 4 | NYLON NUT ZINC 1/2-20" |
| 4 | NC01-37-0263 | 4 | HEX. BOLT GR8 NF ZINC 1/2-20 X 5" LG |
| 5 | 33-57-0215 | 1 | ENGINE BASE GROUP |

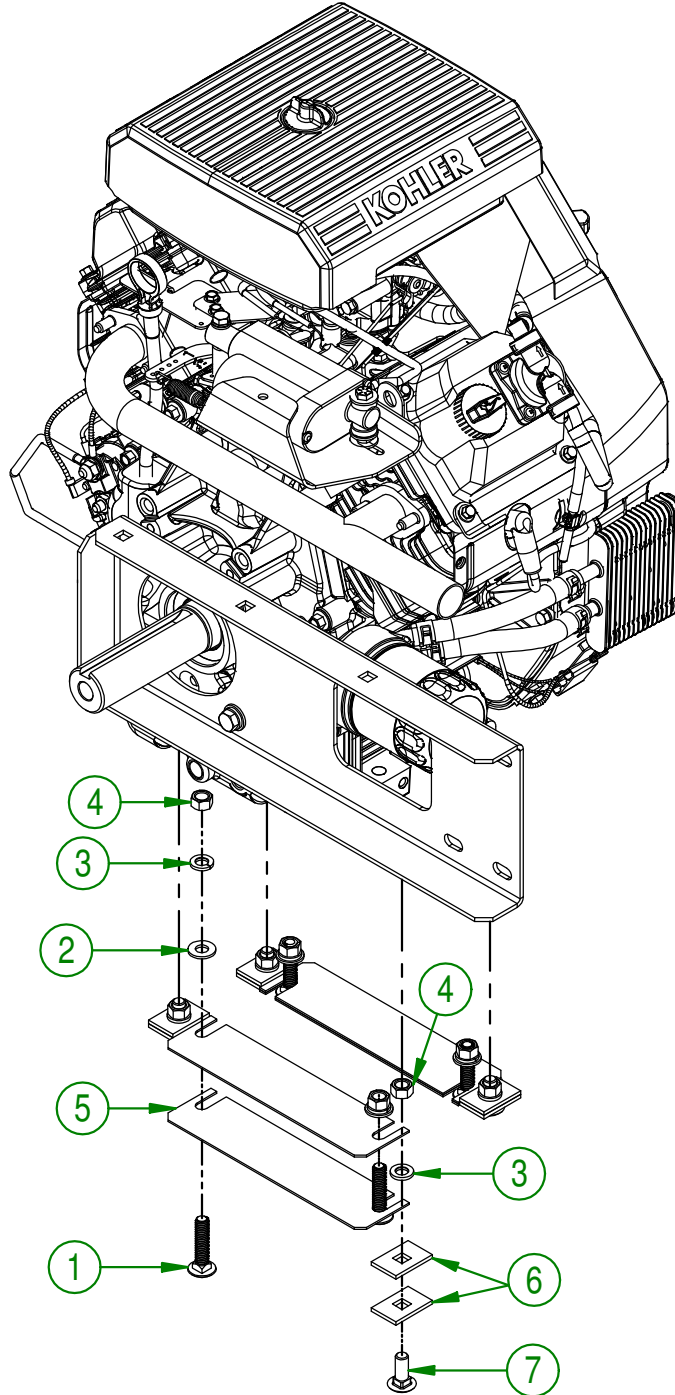


AGRIMETAL
ASSEMBLY FRAME

CREATION : 11/05/23
REVISION : 29/11/23

ASSEMBLY : **33-57-2525**
AUTHOR : D. CHASSÉ

| # | PART # | Qty | TITLE |
|---|--------------|-----|--|
| 1 | NC01-02-0112 | 4 | CARR. BOLT GR2 FLZ 3/8-16 X 1 3/4" |
| 2 | 01-01-2485 | 4 | FLAT WASHER 14 GA X 13/16"OD X 25/64" ID |
| 3 | NC02-32-0012 | 8 | LOCK WASHER ZINC 3/8" |
| 4 | NC02-07-0018 | 8 | HEX. NUT ZINC 3/8-16 |
| 5 | 33-22-2215 | 4 | ENGINE SHIM ALU. 0.016" X 8.125" X 2" |
| 6 | 33-22-5600 | 8 | ENGINE STOPPER |
| 7 | NC01-04-0109 | 4 | CARR. BOLT GR2 ZINC 3/8-16 X 1" |

**AGRIMETAL****27 HP ENGINE GROUP.**

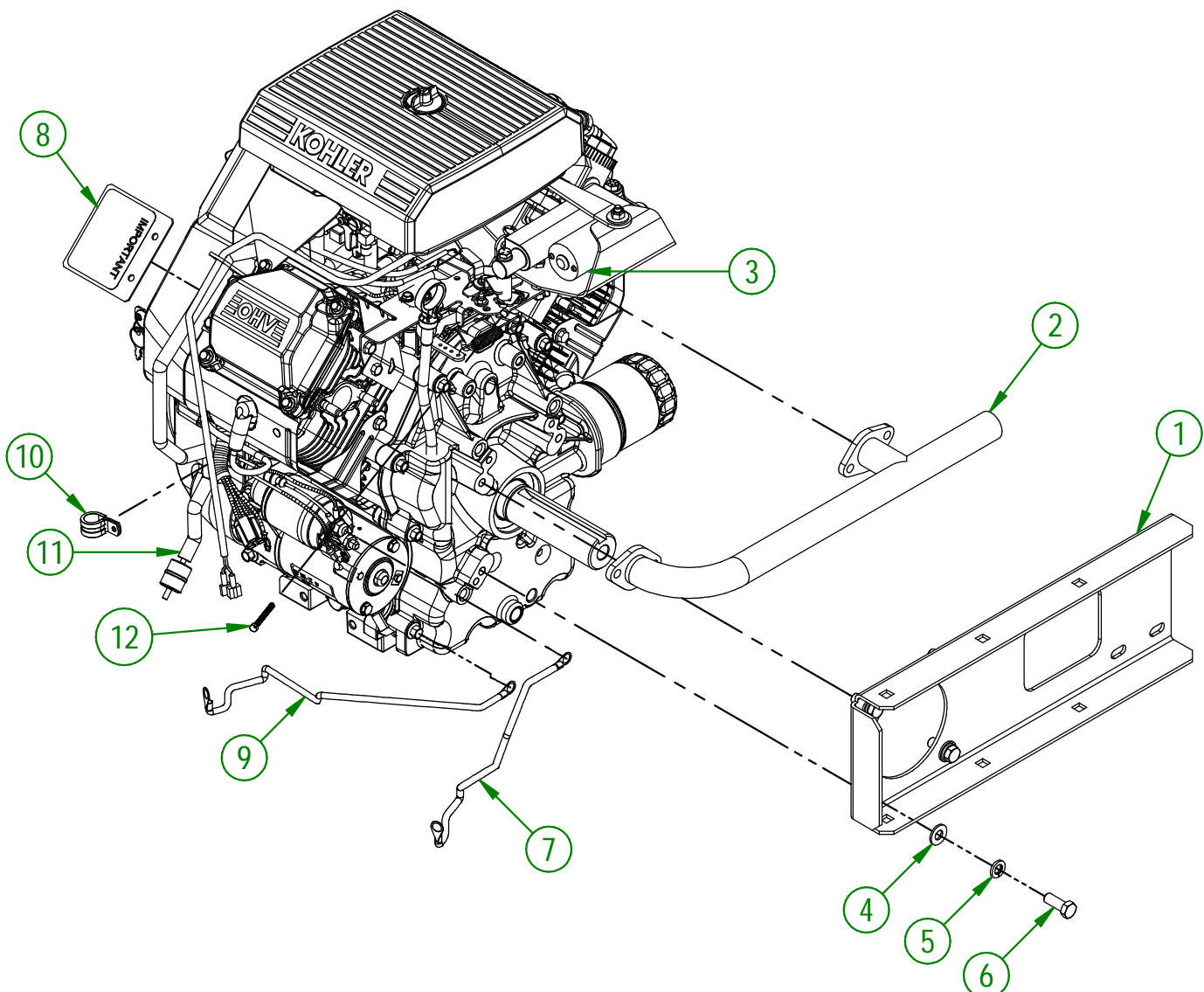
CREATION : 01/11/17
 REVISION : 12/10/18

ASSEMBLY : **33-57-2541**

AUTHOR : J.KABWE

Page 7 de 18

| # | PART # | Qty | TITLE |
|----|--------------|-----|--|
| 1 | 33-01-0900 | 1 | MOFFLER SUPPORT |
| 2 | 33-35-5000 | 1 | EXHAUST MANIFOLD |
| 3 | 33-55-0108 | 1 | ASSEMBLY ACTUATOR 12 VOLTS |
| 4 | 01-01-2485 | 4 | FLAT WASHER 14 GA X 13/16"OD X 25/64" ID |
| 5 | NC02-32-0012 | 4 | LOCK WASHER ZINC 3/8" |
| 6 | NC01-17-0114 | 4 | HEX. BOLT GR2 ZINC 3/8-16 X 1" |
| 7 | 33-55-1505 | 1 | ASSEMBLY BATTERY RED CABLE #4 |
| 8 | 33-55-0090 | 1 | ENGINE PLATE ASSY. |
| 9 | 33-55-2500 | 1 | ASSEMBLY BATTERY BLACK CABLE #4 |
| 10 | NCI3-25-0110 | 1 | SNUG-FIT DAMPING LOOP CLAMP |
| 11 | 33-46-0527 | 1 | 1/4" GAS HOSE |
| 12 | NC01-45-0062 | 1 | METR. BOLT GR 8.8 4MM X0.70P X 40MM |



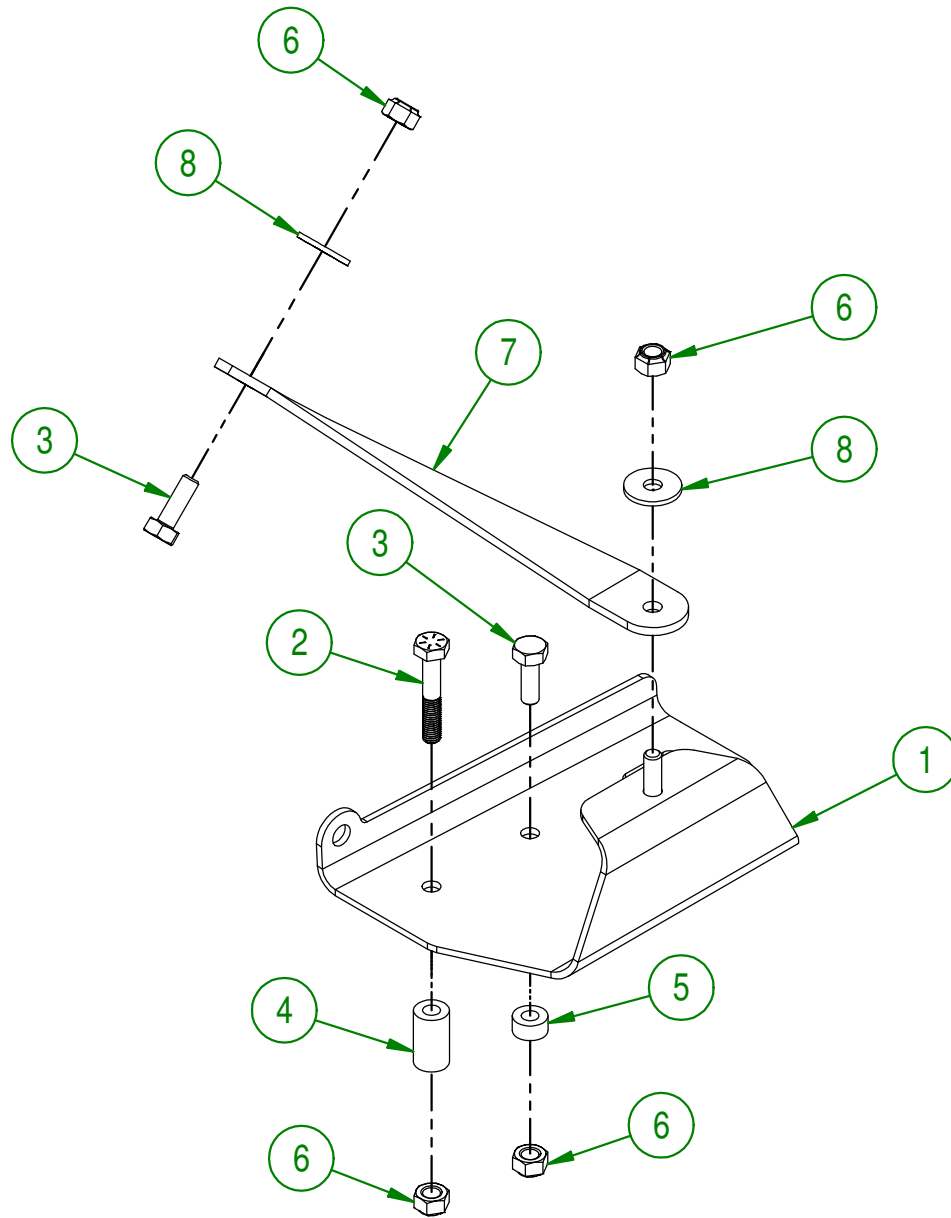
AGRIMETAL

27 HP KOHLER ENGINE STARTER ASSY.

CREATION : 01/11/17
REVISION : 06/02/24

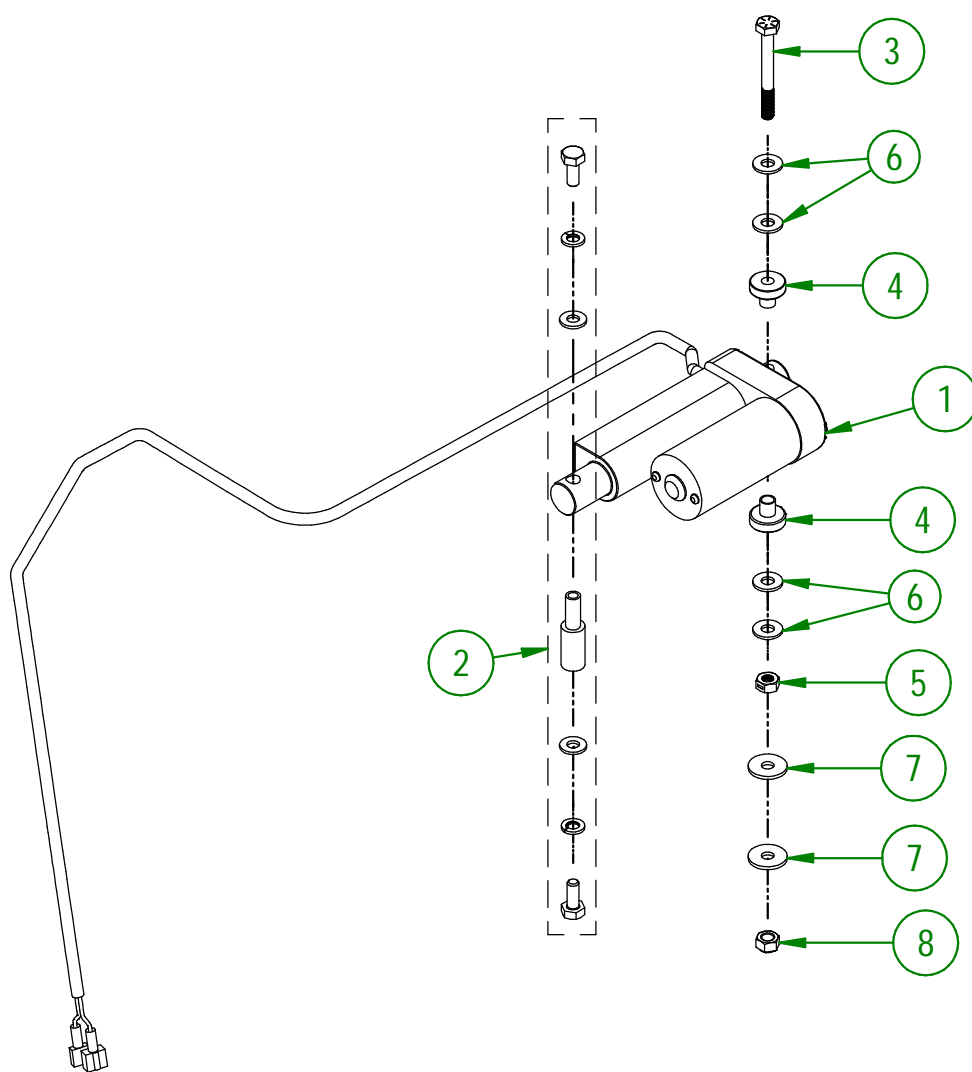
ASSEMBLY : **33-55-2531**
AUTHOR : J.KABWE

| # | PART # | Qty | TITLE |
|---|--------------|-----|----------------------------------|
| 1 | 33-01-0040 | 1 | ACTUATOR SUPPORT |
| 2 | NC01-37-0008 | 1 | HEX. BOLT GR8 1/4-28 X 1 1/2" |
| 3 | NC01-37-0004 | 3 | HEX. BOLT GR2 ZINC 1/4-28 X 3/4" |
| 4 | 33-21-0070 | 1 | ACTUATOR SUPPORT BUSHING |
| 5 | 33-21-0075 | 1 | ACTUATOR SUPPORT BUSHING |
| 6 | NC01-97-0004 | 4 | NYLON-INSERT LOCKNUT ZINC 1/4-28 |
| 7 | 33-01-0045 | 1 | ACTUATOR REINFORCING SUPPORT |
| 8 | 36-01-2430 | 2 | WASHER |



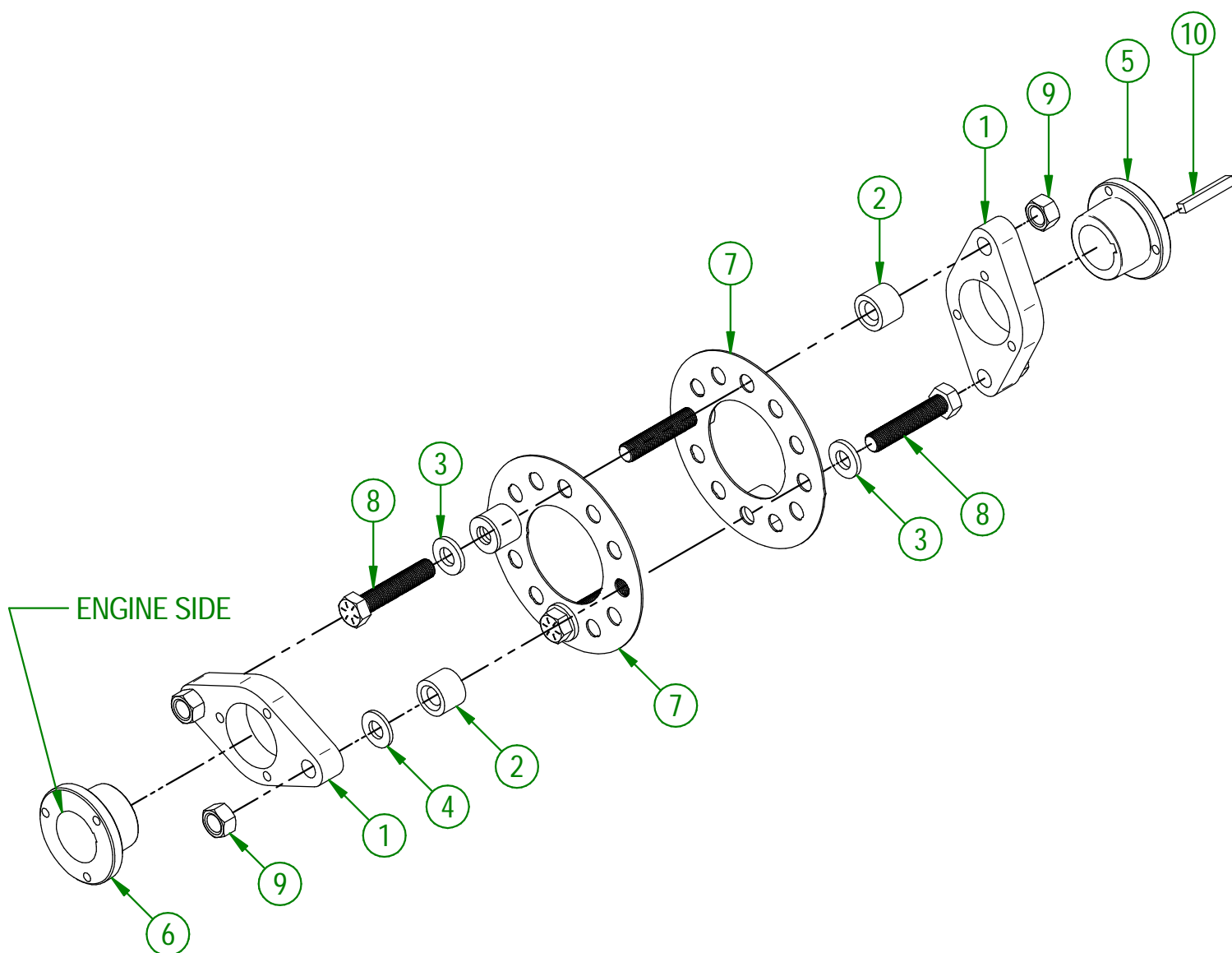
| | |
|--------------------------------|---------------------------------|
| AGRIMETAL | |
| ACTUATOR SUPPORT GROUP. | |
| CREATION : 17/04/18 | ASSEMBLY : 33-57-0104 |
| REVISION : 17/04/18 | AUTHOR : J.KABWE Page 9 de 18 |

| # | PART # | Qty | TITLE |
|---|--------------|-----|--|
| 1 | 33-55-0100 | 1 | ACTUATOR 12 VOLTS |
| 2 | 33-57-0107 | 1 | ACTION ROD |
| 3 | NC01-37-0011 | 1 | HEX. BOLT GR8 1/4-28 X 2 1/4 |
| 4 | 33-42-0120 | 2 | PIVOT BUSHING |
| 5 | NC02-14-1200 | 1 | TWO WAY LOCK NUT 1/4-28 |
| 6 | NC02-25-0007 | 4 | WASHER ZINC 0.281 = 9/32 |
| 7 | 36-01-2430 | 2 | FLAT WASHER 14GA X 17/64" I.D. X 13/16" O.D. |
| 8 | NC01-97-0004 | 1 | NYLON-INSERT LOCKNUT ZINC 1/4-28 |



| | |
|-----------------------------------|------------------------------|
| AGRIMETAL | |
| ASSEMBLY ACTUATOR 12 VOLTS | |
| CREATION : 17/04/18 | ASSEMBLY : 33-55-0107 |
| REVISION : 12/05/23 | AUTHOR : J.KABWE |

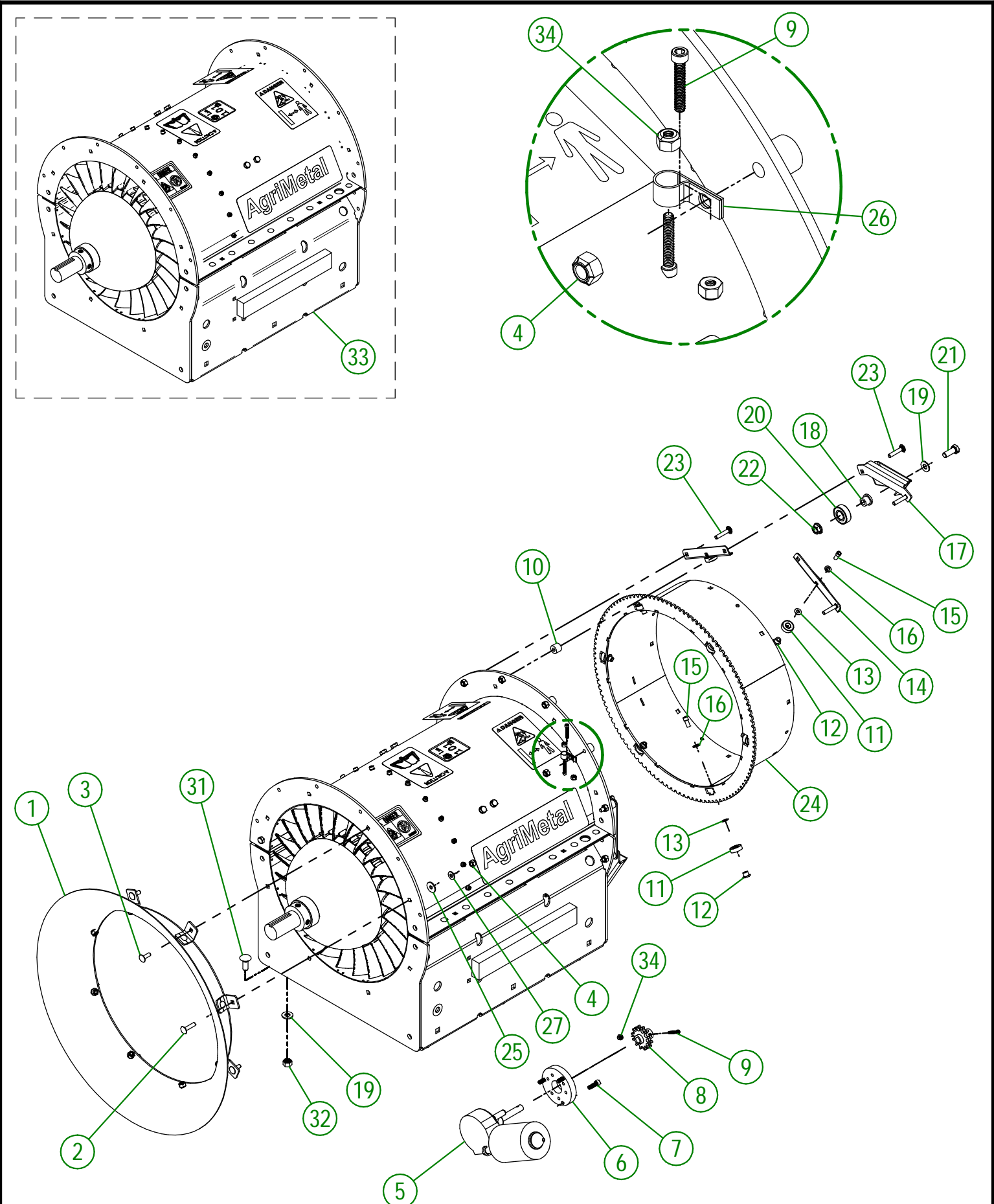
| # | PART # | Qty | TITLE |
|----|--------------|-----|------------------------------------|
| 1 | 33-04-1600 | 2 | FLANGE |
| 2 | 33-21-0055 | 4 | SLEEVE |
| 3 | 01-01-0925 | 4 | WASHER |
| 4 | 33-01-7570 | 2 | WASHER |
| 5 | NC14-62-0016 | 1 | QD BUSHING SH I 1/4" |
| 6 | NC14-62-0211 | 1 | QD BUSHING SH I 7/16" |
| 7 | 33-20-0152 | 2 | SPACER |
| 8 | NC01-37-0253 | 4 | HEX. BOLT GR8 ZINC 1/2-20 X 2 1/2" |
| 9 | NC01-94-0013 | 4 | NYLON NUT ZINC 1/2-20" |
| 10 | 33-41-0920 | 1 | SQUARE KEY |



AGRIMETAL
COUPLING ASSEMBLY

CREATION : 03/11/17
 REVISION : 09/11/23

ASSEMBLY : **33-57-0046**
 AUTHOR : J.KABWE

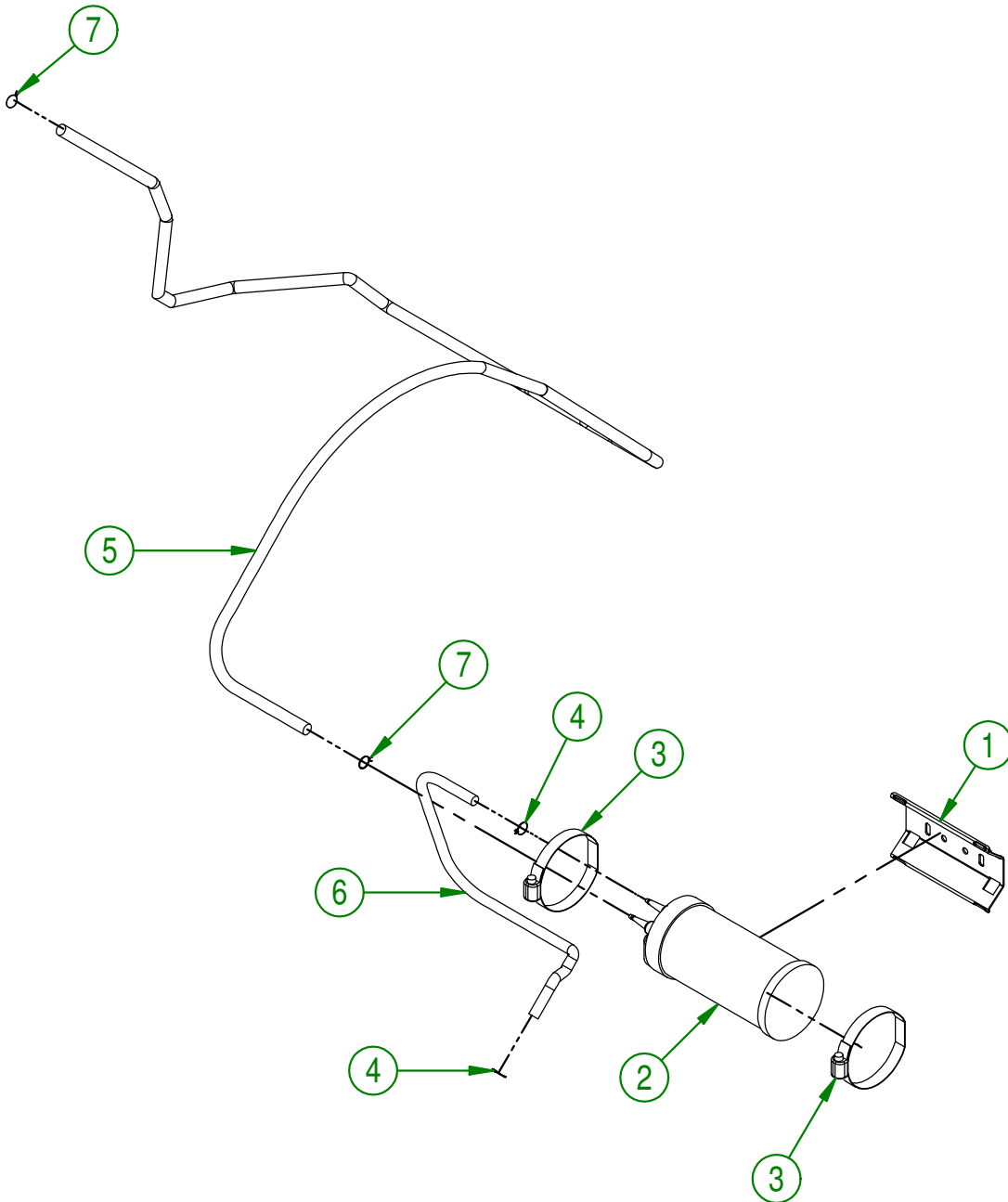


| | |
|--------------------------------|------------------------------|
| AGRIMETAL | |
| REGROUP. TURBINE BLOWER | |
| CREATION : 25/06/24 | ASSEMBLY : 33-57-0021 |
| REVISION : 09/10/24 | AUTHOR : J.KABWE |

33-57-0021

| # | PART # | QTY | TITLE |
|----|--------------|-----|---|
| 1 | 33-55-0085 | 1 | AIR INTAKE ASSY. |
| 2 | NC01-04-0005 | 2 | CARR. BOLT GR2 ZINC 1/4-20 X 1" |
| 3 | NC01-04-0003 | 6 | CARR. BOLT GR2 ZINC 1/4-20 X 3/4" |
| 4 | NC01-96-0009 | 21 | NYLON-INSERT LOCKNUT ZINC 1/4-20 |
| 5 | 33-35-0005 | 1 | OUTLET MOTOR |
| 6 | 33-21-0100 | 1 | ENGINE CONVERSION PLATE |
| 7 | NC02-50-1072 | 3 | SOCKET CAP SCREW M6 X 20mm |
| 8 | 33-55-0035 | 1 | GEARED CROWN SPROCKET |
| 9 | NC02-50-0069 | 3 | SOCKET CAP SCREW T.RON 8-32 X 1" |
| 10 | 33-21-0080 | 12 | SPACER |
| 11 | NC14-75-0153 | 12 | BALL BEARING R6 2RS 3/8" X 7/8" X 0.281" |
| 12 | 33-25-2410 | 12 | BEARING BUSHING |
| 13 | 33-03-4605 | 12 | BEARING SHIM 1/4" ALUMINUM |
| 14 | 33-01-2425 | 6 | BEARING HOLDER BRACKET |
| 15 | NC02-51-0578 | 12 | SOCKET CAP SCREW T.RON. NF 1/4-28 X 1/2 STAINLESS |
| 16 | NC02-32-0010 | 12 | LOCK WASHER ZINC 1/4" |
| 17 | 33-50-0555 | 3 | WELD ASSEMBLY BEARING SUPPORT |
| 18 | 33-21-0060 | 3 | BEARING HOLDER |
| 19 | 01-01-2485 | 9 | FLAT WASHER 14 GA X 13/16"OD X 25/64" ID |
| 20 | NC14-75-0068 | 3 | BALL BEARING 99502H |
| 21 | NC01-17-0114 | 3 | HEX. BOLT GR2 ZINC 3/8-16 X 1" |
| 22 | NC02-14-0019 | 3 | FLANGE NUT HEX. NC 3/8-16 GR. B |
| 23 | NC01-04-0006 | 12 | CARR. BOLT GR2 ZINC 1/4-20 X 1 1/4" |
| 24 | 33-50-0018 | 1 | DUCT COLECTOR |
| 25 | 36-01-2430 | 3 | FLAT WASHER 14GA X 17/64" I.D. X 13/16" O.D. |
| 26 | NC13-25-0233 | 1 | VINYLE PROTECTOR COLLAR |
| 27 | NC02-25-0007 | 2 | WASHER ZINC 0.281 = 9/32 |
| 28 | 33-20-0065 | 1 | conical sleeve |
| 29 | NC02-32-0012 | 1 | LOCK WASHER ZINC 3/8" |
| 30 | NC01-25-0118 | 1 | HEX. BOLT GR5 NC ZINC 3/8-16 X 2" |
| 31 | NC01-04-0109 | 6 | CARR. BOLT GR2 ZINC 3/8-16 X 1" |
| 32 | NC01-93-0011 | 6 | LOCK NUT 3/8-16 |
| 33 | 33-57-0082 | 1 | TURBINE KIT (NEW) |
| 34 | NC01-96-0004 | 3 | 8-32 JAM NUT |

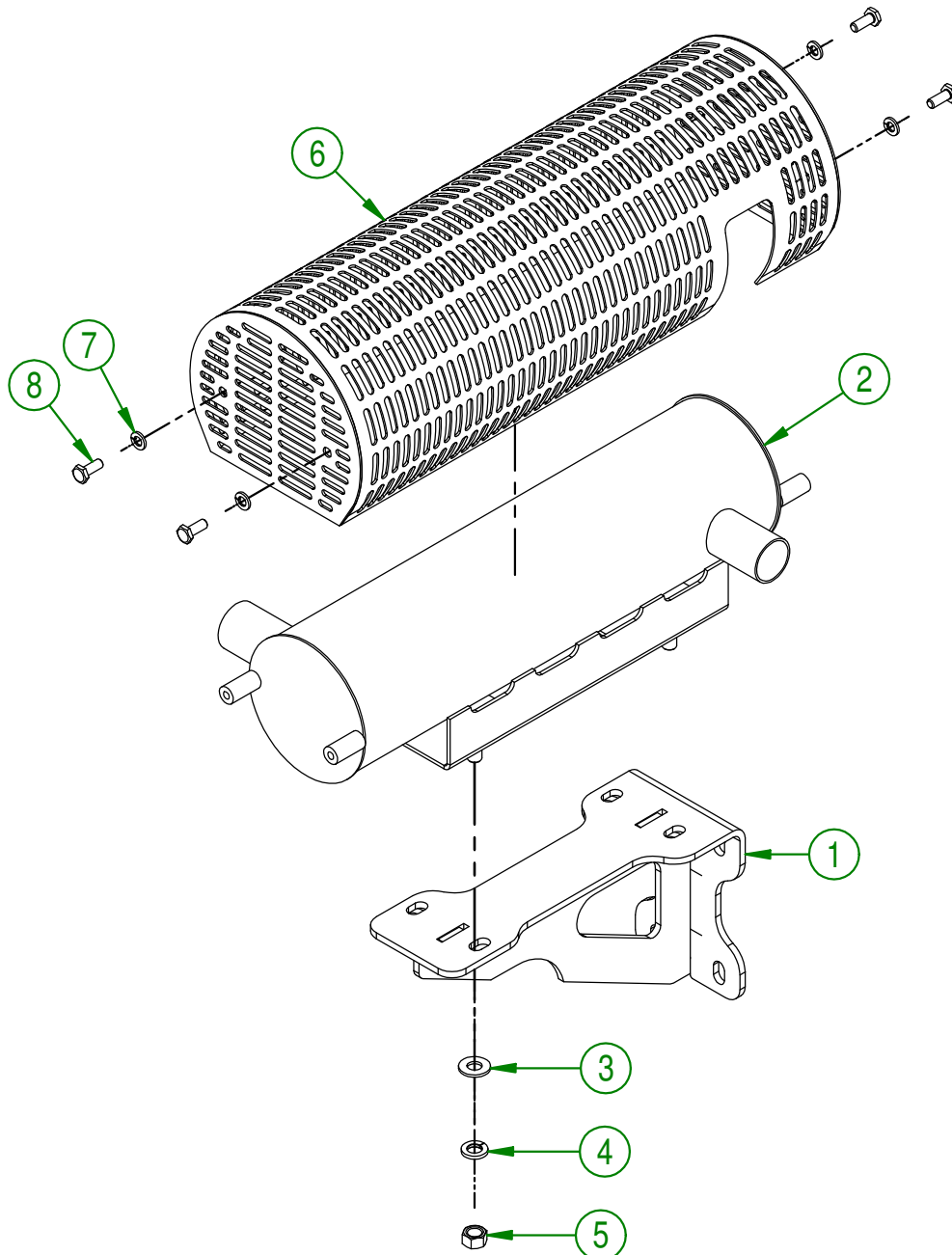
| # | PART # | Qty | TITLE |
|---|--------------|-----|--|
| 1 | 33-01-3210 | 1 | CARBON CAN SUPPORT |
| 2 | NCI3-80-0258 | 1 | 6 GALLON GAS CARBONE CAN |
| 3 | NC01-65-0065 | 2 | SNUG-FIT DAMPING LOOP CLAMP 2 5/16"- 3 1/4" HAS44 |
| 4 | NC01-65-0201 | 2 | SPRING -GRIP HOSE CLAMPS 1/2" O.D |
| 5 | 33-46-0543 | 1 | GAS HOSE EPA 7/16" DIA.X 3/16" D.I. X 71" EPA & CARB |
| 6 | 33-46-0570 | 1 | GAS HOSE 1/2" DIA.X 1/4" DI X 23" CARB (TB-270) |
| 7 | NCI3-80-0286 | 2 | HOSE CLAMPS 3/16" ID X 7/16" OD X FOR NCI3-80-0285 |



| | |
|-------------------------------------|----------------------------------|
| AGRIMETAL | |
| PARTS CARB GROUP (TB-270 IC) | |
| CREATION : 17/09/18 | ASSEMBLY : 33-57-3520 |
| REVISION : 18/09/18 | AUTHOR : J.KABWE Page 14 de 18 |

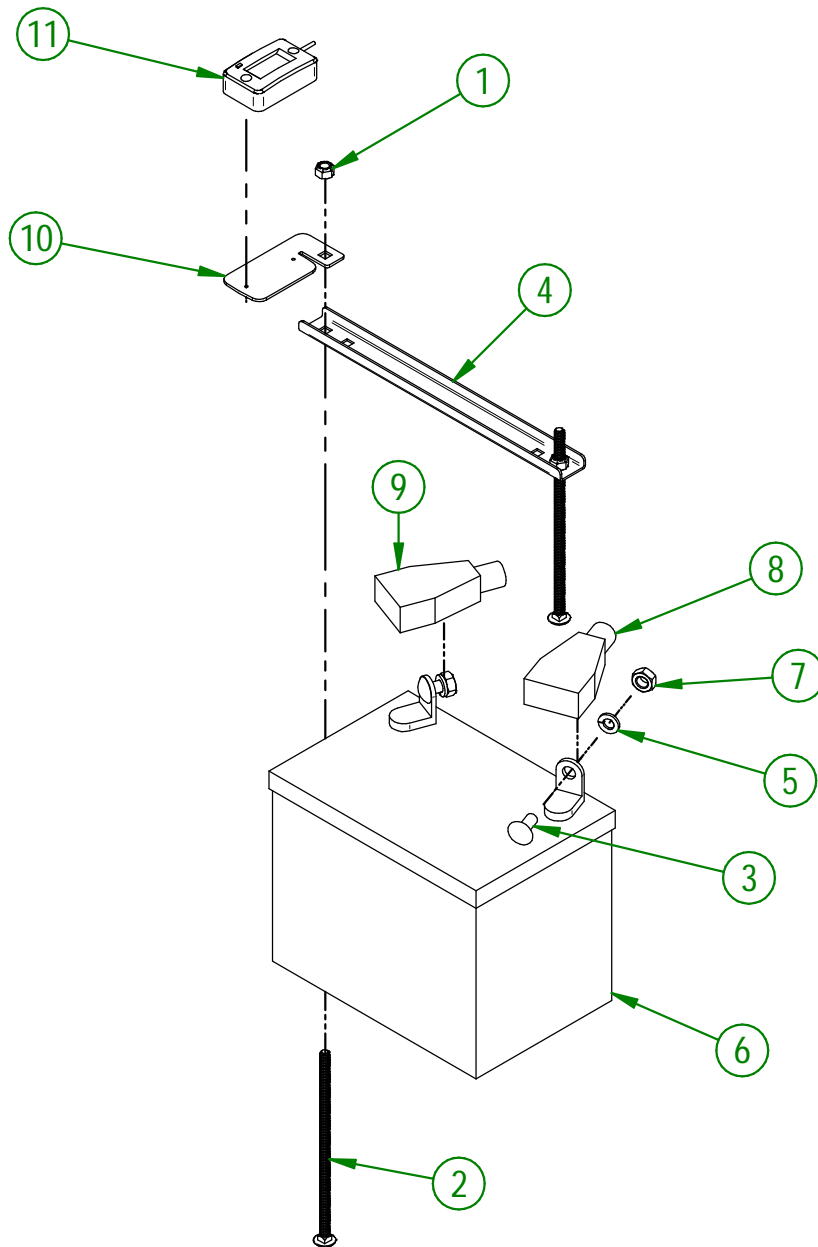
33-55-0075

| # | PART # | Qty | TITLE |
|---|--------------|-----|----------------------------------|
| 1 | 22-50-0300 | 1 | MUFFLER SUPPORT (KOHLER 27 HP) |
| 2 | 33-50-1050 | 1 | 27 HP KOHLER MUFFLER |
| 3 | 01-01-2485 | 4 | FLAT WASHER |
| 4 | NC02-32-0012 | 4 | LOCK WASHER ZINC 3/8" |
| 5 | NC02-07-0018 | 4 | HEX. NUT ZINC 3/8-16 |
| 6 | 33-50-1055 | 1 | MUFFLER GUARD (27 HP KOHLER) |
| 7 | NC02-32-0010 | 4 | LOCK WASHER ZINC 1/4" |
| 8 | NC01-29-0003 | 4 | HEX. BOLT GR5 ZINC 1/4-28 X 5/8" |



| | |
|--|----------------------------------|
| AGRIMETAL | |
| MUFFLER SUPPORT & MUFFLER ASSY. | |
| CREATION : 01/11/17 | ASSEMBLY : 33-55-0075 |
| REVISION : 08/01/18 | AUTHOR : J.KABWE Page 15 de 18 |

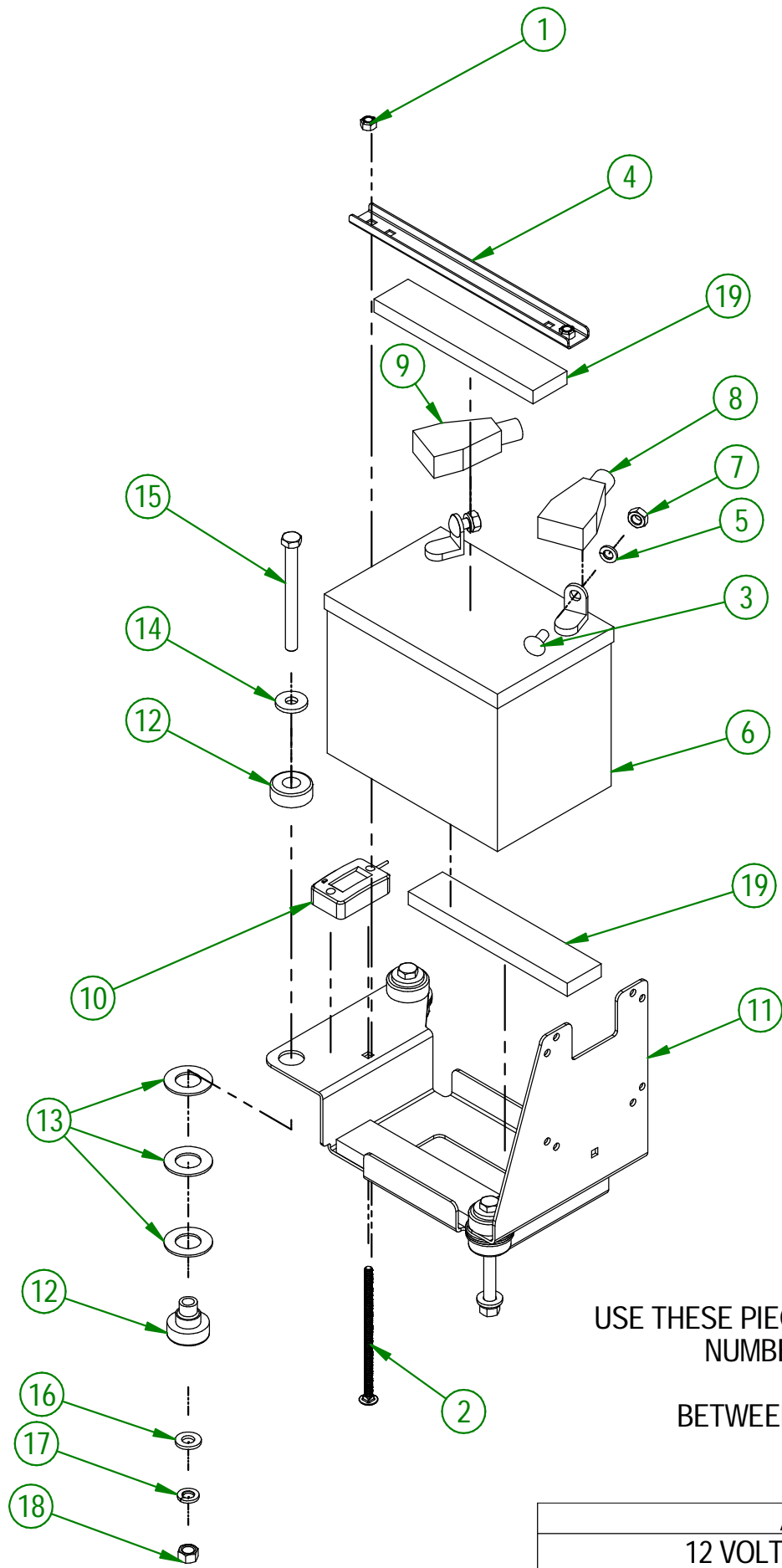
| # | PART # | Qty | TITLE |
|----|--------------|-----|----------------------------------|
| 1 | NC01-96-0009 | 2 | NYLON-INSERT LOCKNUT ZINC 1/4-20 |
| 2 | NC01-04-0027 | 2 | CARR. BOLT 1/4-20 X 6" LG |
| 3 | NC01-04-0056 | 2 | CARR. BOLT 5/16-18 X3/4" |
| 4 | 33-01-3015 | 1 | BATTERY STRAPE |
| 5 | NC02-32-0011 | 2 | LOCK WASHER ZINC 5/16" |
| 6 | NCI3-12-0001 | 1 | 12 VOLTS BATTERY |
| 7 | NC02-07-0017 | 2 | HEX. NUT 5/16-18 |
| 8 | NCI3-80-0267 | 1 | RED PROTECTOR FOR BATTERY POST |
| 9 | NCI3-80-0268 | 1 | BLACK PROTECTOR FOR BATTERY POST |
| 10 | 33-01-4000 | 1 | HOUR METER HOLDER |
| 11 | NCI3-37-0669 | 1 | HOUR METER |



USE THESE PIECES ONLY IF YOUR SERIAL NUMBER IS AFFECTED:

BELOW # 44661

| | |
|-------------------------|------------------------------|
| AGRIMETAL | |
| 12 VOLTS BATTERY GROUP. | |
| CREATION : 31/10/17 | ASSEMBLY : 33-57-0055 |
| REVISION : 11/09/23 | AUTHOR : J.KABWE |



USE THESE PIECES ONLY IF YOUR SERIAL NUMBER IS AFFECTED:

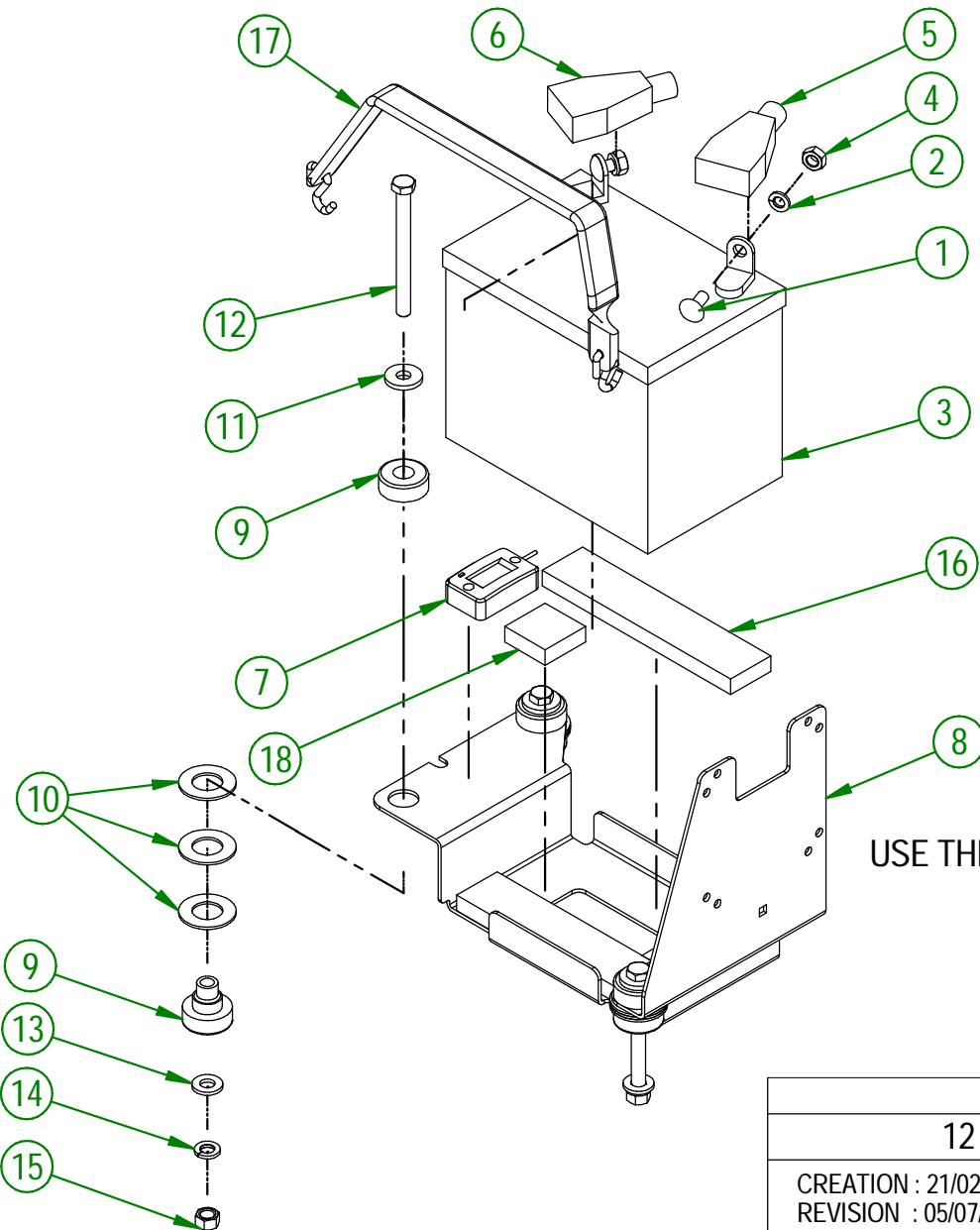
BETWEEN #44661 & #45502

| | |
|-------------------------|------------------------------|
| AGRIMETAL | |
| 12 VOLTS BATTERY GROUP. | |
| CREATION : 29/08/23 | ASSEMBLY : 33-57-0057 |
| REVISION : 05/07/24 | AUTHOR : D. CHASSÉ |

33-57-0057

| # | PART # | Qty | TITLE |
|----|--------------|-----|---------------------------------------|
| 1 | NC01-96-0009 | 2 | NYLON-INSERT LOCKNUT ZINC 1/4-20 |
| 2 | NC01-04-0024 | 2 | CARR. BOLT GR2 ZINC 1/4-20 X 5" |
| 3 | NC01-04-0056 | 2 | CARR. BOLT 5/16-18 X3/4" |
| 4 | 33-01-3015 | 1 | BATTERY STRAPE |
| 5 | NC02-32-0011 | 2 | LOCK WASHER ZINC 5/16" |
| 6 | NC13-12-0017 | 1 | 12 VOLTS GEL BATTERY |
| 7 | NC02-07-0017 | 2 | HEX. NUT 5/16-18 |
| 8 | NC13-80-0267 | 1 | RED PROTECTOR FOR BATTERY POST |
| 9 | NC13-80-0268 | 1 | BLACK PROTECTOR FOR BATTERY POST |
| 10 | NC13-37-0669 | 1 | HOUR METER |
| 11 | 33-57-2400 | 1 | BATTERY SUPPORT PLATE "INCL. STICKER" |
| 12 | NC13-15-0354 | 3 | RED RUBBER BASE MOUNT |
| 13 | 26-03-4800 | 9 | WASHER |
| 14 | 21-01-0950 | 3 | FLAT WASHER 10GA 1.005" DIA X 25/64" |
| 15 | NC01-25-0126 | 3 | HEX. BOLT GR5 ZINC 3/8-16 X 4" |
| 16 | NC02-25-0009 | 3 | WASHER 0.406" I.D. X 0.815 O.D. |
| 17 | NC02-32-0012 | 3 | LOCK WASHER ZINC 3/8" |
| 18 | NC02-07-0018 | 3 | HEX. NUT ZINC 3/8-16 |
| 19 | 33-42-0130 | 3 | BLACK ADHESIVE-BACK STRIP |

| # | PART # | Qty | TITLE |
|----|--------------|-----|---------------------------------------|
| 1 | NC01-04-0056 | 2 | CARR. BOLT 5/16-18 X3/4" |
| 2 | NC02-32-0011 | 2 | LOCK WASHER ZINC 5/16" |
| 3 | NCI3-12-0017 | 1 | 12 VOLTS GEL BATTERY |
| 4 | NC02-07-0017 | 2 | HEX. NUT 5/16-18 |
| 5 | NCI3-80-0267 | 1 | RED PROTECTOR FOR BATTERY POST |
| 6 | NCI3-80-0268 | 1 | BLACK PROTECTOR FOR BATTERY POST |
| 7 | NCI3-37-0669 | 1 | HOUR METER |
| 8 | 33-57-2401 | 1 | BATTERY SUPPORT PLATE "INCL. STICKER" |
| 9 | NCI3-15-0354 | 3 | RED RUBBER BASE MOUNT |
| 10 | 26-03-4800 | 9 | WASHER |
| 11 | 21-01-0950 | 3 | FLAT WASHER IOGA 1.005" DIA X 25/64" |
| 12 | NC01-25-0126 | 3 | HEX. BOLT GR5 ZINC 3/8-16 X 4" |
| 13 | NC02-25-0009 | 3 | WASHER 0.406" I.D. X 0.815 O.D. |
| 14 | NC02-32-0012 | 3 | LOCK WASHER ZINC 3/8" |
| 15 | NC02-07-0018 | 3 | HEX. NUT ZINC 3/8-16 |
| 16 | 33-42-0130 | 2 | BLACK ADHESIVE-BACK STRIP |
| 17 | NCI3-15-0008 | 1 | RUBBER STRAP |
| 18 | 33-42-0135 | 2 | BLACK ADHESIVE-BACK STRIP |

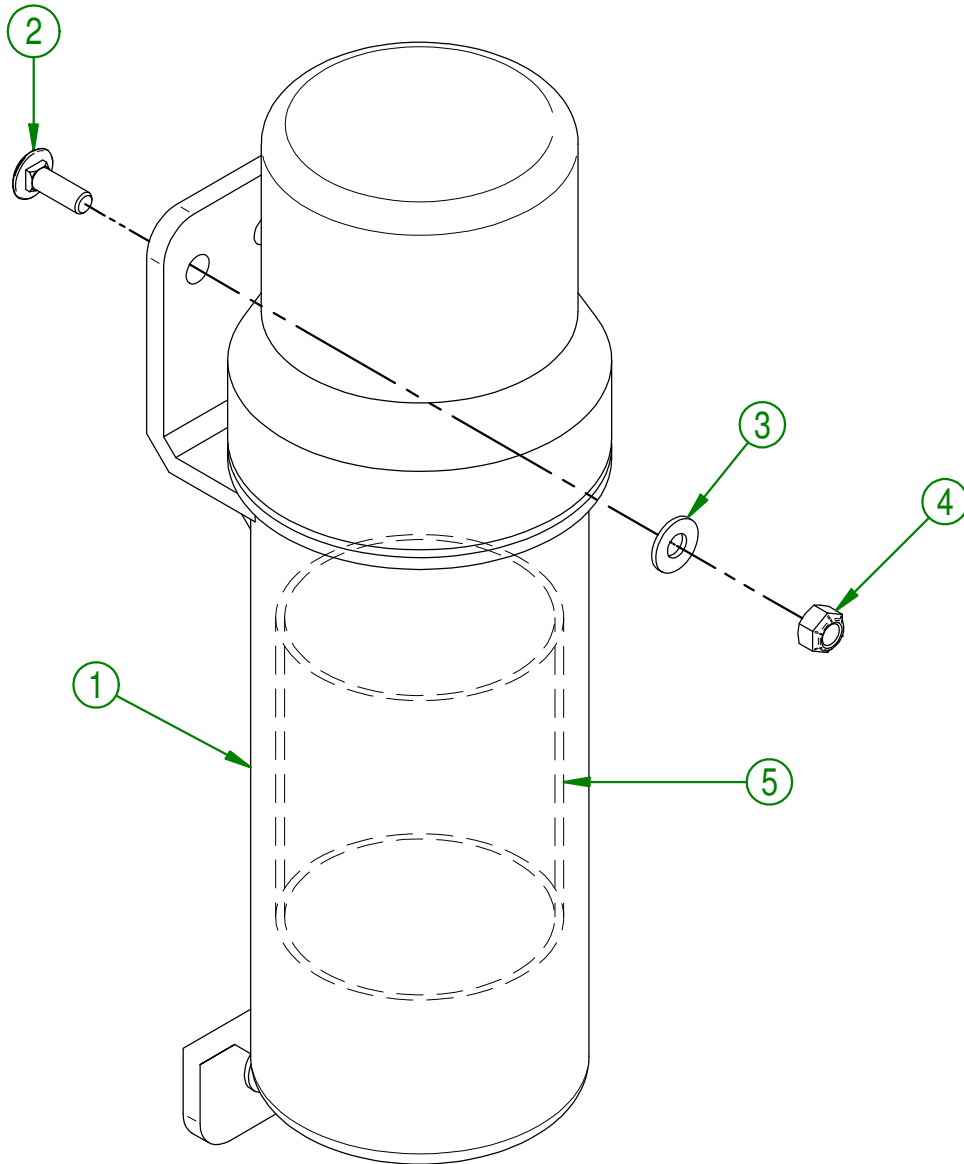


USE THESE PIECES ONLY IF YOUR SERIAL NUMBER IS AFFECTED:

#45503 AND ABOVE

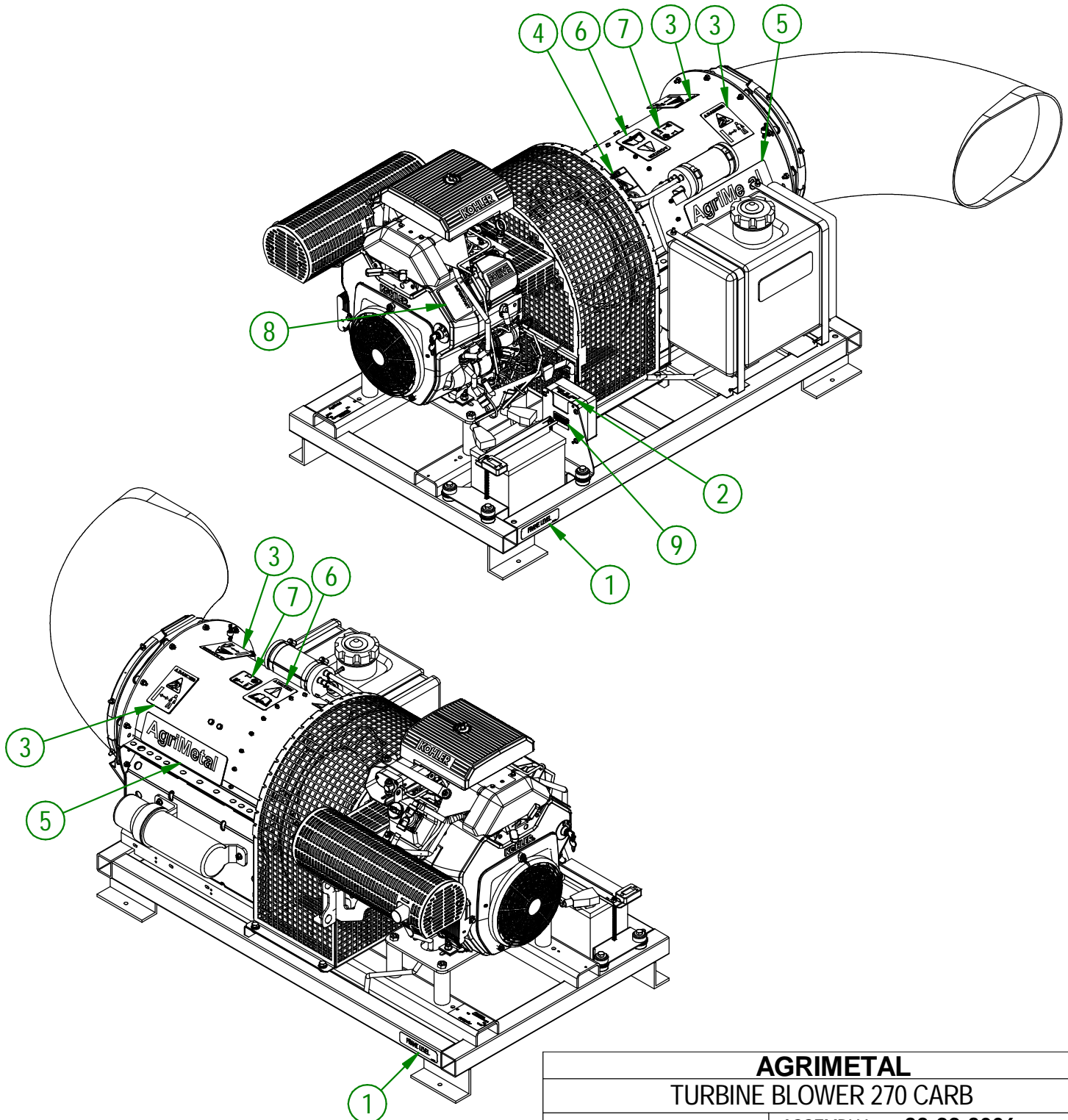
| | |
|--------------------------------|------------------------------|
| AGRIMETAL | |
| 12 VOLTS BATTERY GROUP. | |
| CREATION : 21/02/24 | ASSEMBLY : 33-57-0170 |
| REVISION : 05/07/24 | AUTHOR : D. CHASSÉ |

| # | PART # | Qty | TITLE |
|---|--------------|-----|------------------------------------|
| 1 | NCI3-30-0237 | 1 | PLASTIC TUBE FOR OPERATOR'S MANUAL |
| 2 | NC01-04-0003 | 3 | CARR. BOLT GR2 ZINC 1/4-20 X 3/4" |
| 3 | NC02-25-0007 | 3 | WASHER ZINC 0.281 = 9/32 |
| 4 | NC01-96-0009 | 3 | NYLON-INSERT LOCKNUT ZINC 1/4-20 |
| 5 | 33-98-0621 | 1 | OPERATION MANUAL TB 270 |



| | |
|--------------------------------------|--------------------------------|
| AGRIMETAL | |
| OPERATOR MANUEL TUBE ASSEMBLY | |
| CREATION : 14/02/18 | ASSEMBLY : 33-57-2566 |
| REVISION : 05/10/18 | AUTHOR : J.KABWE Page 17 de 18 |

| # | PART # | Qty | TITLE |
|---|--------------|-----|---|
| 1 | NCI3-33-0052 | 2 | STICKER FRAME LEVEL |
| 2 | NCI3-33-0227 | 1 | STICKER FUSE 15 AMP MAXIMUM |
| 3 | NCI3-33-0192 | 2 | STICKER (PROJECTION RISK) |
| 4 | NCI3-33-0185 | 1 | STICKER PICTOGRAM (FIRE + CIGARETTE) |
| 5 | NCI3-33-0035 | 2 | STICKER AGRIMETAL |
| 6 | NCI3-33-0183 | 1 | STICKER CAUTION OPERATION MANUAL |
| 7 | NCI3-33-0129 | 1 | STICKER 101 DB |
| 8 | NCI3-33-0178 | 1 | STICKER IMPORTANT PLEASE CHECK OIL LEVEL... |
| 9 | NCI3-33-2674 | 2 | STICKER TO PROGRAM REMOTE CONTROL |



| | |
|--------------------------------|------------------------------|
| AGRIMETAL | |
| TURBINE BLOWER 270 CARB | |
| CREATION : 19/09/18 | ASSEMBLY : 33-99-3006 |
| REVISION : 31/10/23 | AUTHOR : J.KABWE |