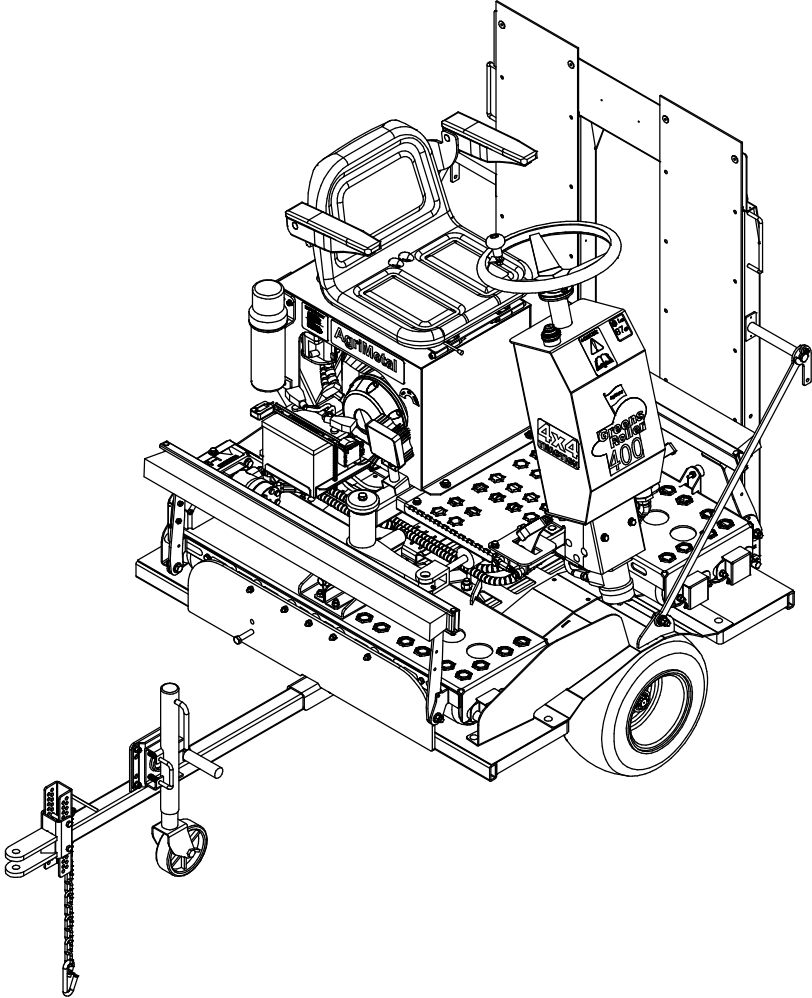
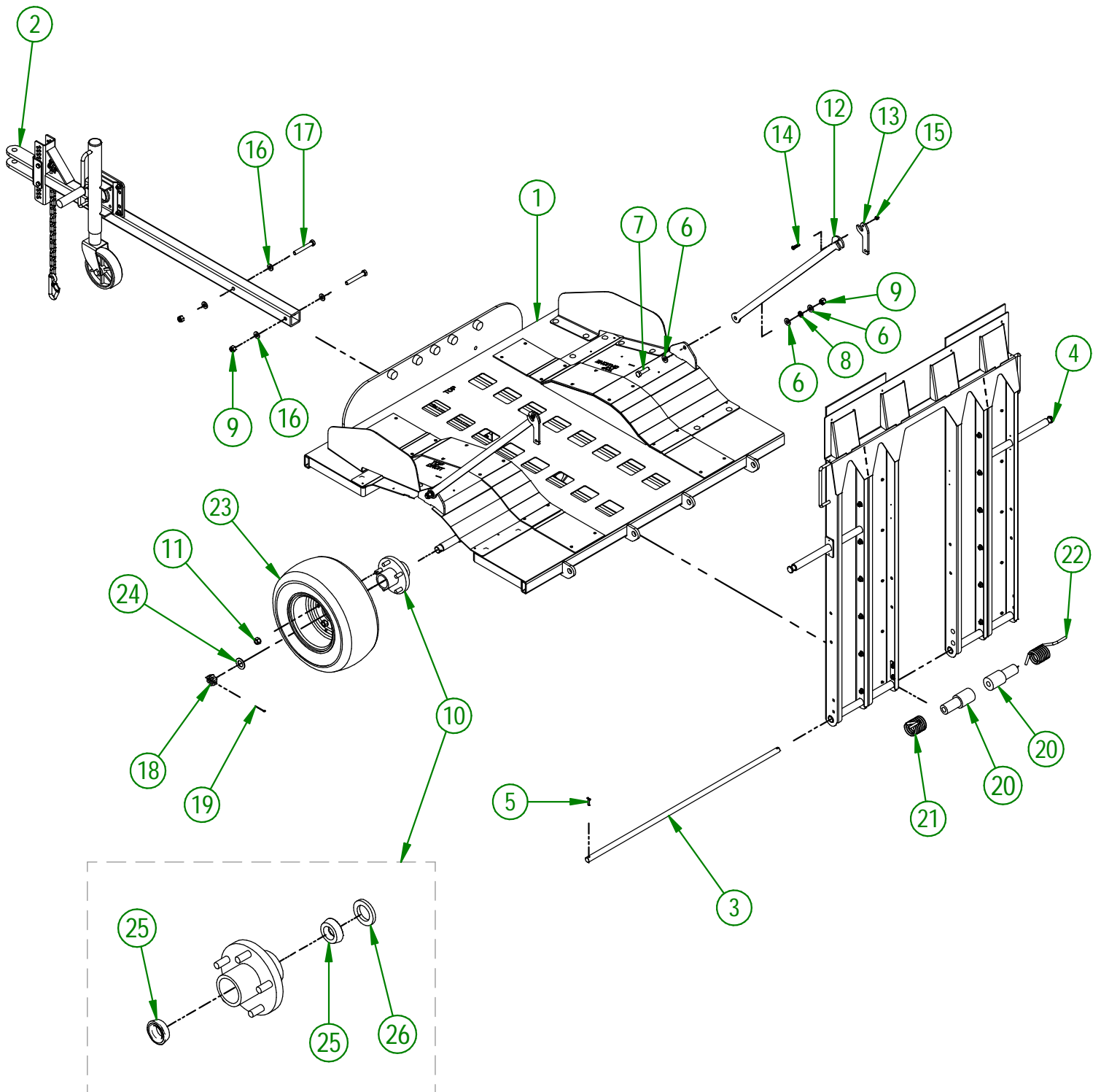


AgriMetal

PARTS LIST



GR400-F



USE THESE PIECES ONLY IF YOUR SERIAL
NUMBER IS AFFECTED:

#43193 AND UNDER

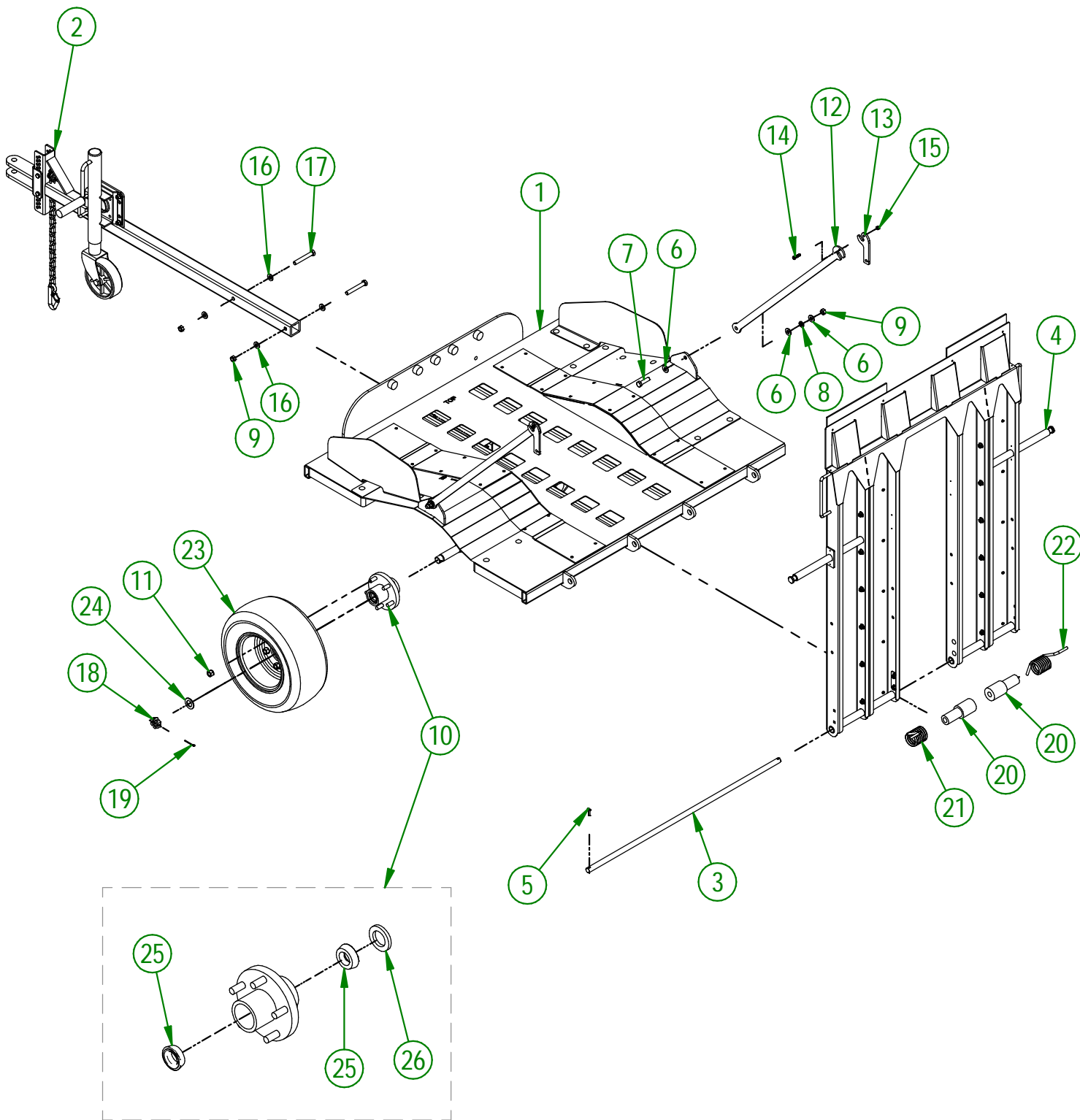
| | |
|---------------------------|------------------------------|
| AGRIMETAL | |
| TRAILER (2 WHEELS) | |
| CREATION : 20/04/21 | ASSEMBLY : 39-55-0521 |
| REVISION : 02/05/23 | AUTHOR : G.HUBERDEAU |

39-55-0521

| # | PART # | Qty | TITLE |
|----|--------------|-----|--------------------------------------|
| 1 | 39-57-0521 | 1 | TRAILER |
| 2 | 39-55-0314 | 1 | DRAWBAR GROUPING |
| 3 | 39-13-0640 | 1 | PIVOT RAMP |
| 4 | 39-55-0812 | 1 | RAMP |
| 5 | NC01-69-0159 | 2 | COTTER PIN ZINC 3/16 X 1 1/2" |
| 6 | NC02-25-0011 | 6 | WASHER SAE ZINC 17/32 ID |
| 7 | NC01-17-0250 | 2 | HEX. BOLT GR2 ZINC 1/2-13 X 1 3/4" |
| 8 | NC02-32-0014 | 2 | LOCK WASHER ZINC 1/2" |
| 9 | NC01-96-0014 | 5 | NYLON-INSERT LOCKNUT ZINC 1/2-13 |
| 10 | NC14-70-0643 | 2 | HUB |
| 11 | NC02-12-0005 | 10 | HEX. NUT ZINC 1/2-20 |
| 12 | 39-04-0441 | 2 | RAMP LOCK |
| 13 | 39-04-0360 | 2 | DOOR LOCK |
| 14 | NC01-29-0006 | 2 | HEX. BOLT GR5 NF ZINC 1/4-28 X 1 1/2 |
| 15 | NC01-97-0004 | 2 | NYLON-INSERT LOCKNUT ZINC 1/4-28 |
| 16 | 01-01-0925 | 5 | WASHER |
| 17 | NC01-17-0257 | 3 | HEX. BOLT GR2 ZINC 1/2-13 X 3 1/2" |
| 18 | NC14-70-0310 | 2 | SLOTTED NUT 1-14 |
| 19 | NC14-70-0311 | 2 | COTTER PIN ZINC 5/32" X 2" |
| 20 | 39-42-0125 | 2 | SPRING BUSHING |
| 21 | NC13-85-0060 | 1 | TRAILER RAMP SPRING |
| 22 | NC13-85-0059 | 1 | TRAILER RAMP SPRING |
| 23 | NC14-70-0644 | 2 | Wheels GR400 |
| 24 | NC14-70-0605 | 2 | WASHER |

NC14-70-0643

| # | PART # | Qty | TITLE |
|----|--------------|-----|----------------------|
| 25 | NC14-70-0093 | 2 | EXTERIOR BEARING |
| 26 | NC14-70-0324 | 1 | SEAL 1.219" X 1.980" |



USE THESE PIECES ONLY IF YOUR SERIAL NUMBER IS AFFECTED:

#43193 AND ABOVE

| | |
|---------------------------|------------------------------|
| AGRIMETAL | |
| TRAILER (2 WHEELS) | |
| CREATION : 17/10/22 | ASSEMBLY : 39-55-0522 |
| REVISION : 19/04/23 | AUTHOR : D. CHASSÉ |

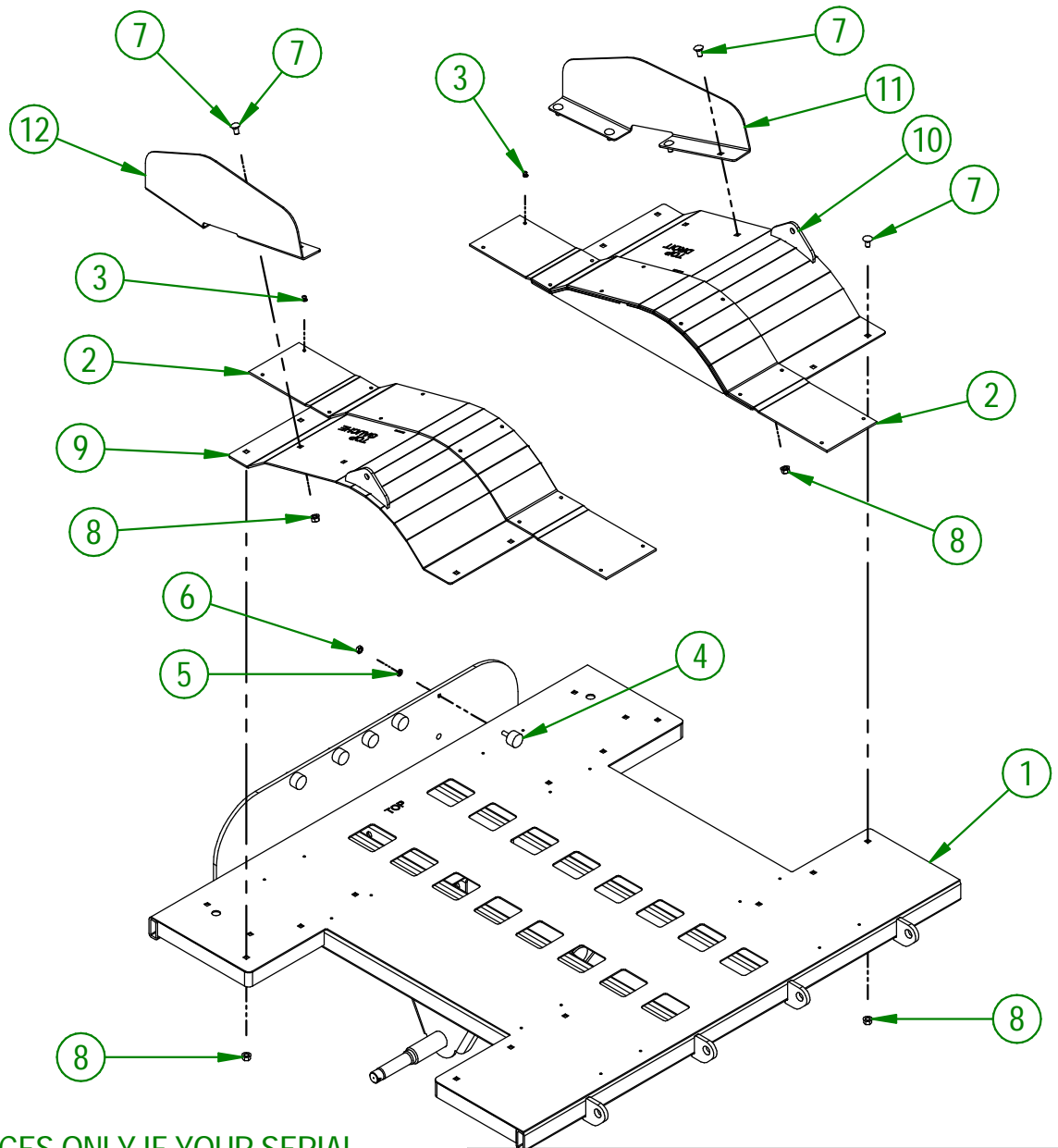
39-55-0522

| # | PART # | Qty | TITLE |
|----|--------------|-----|--------------------------------------|
| 1 | 39-57-0523 | 1 | TRAILER |
| 2 | 39-55-0314 | 1 | DRAWBAR GROUPING |
| 3 | 39-13-0640 | 1 | PIVOT RAMP |
| 4 | 39-55-0812 | 1 | RAMP |
| 5 | NC01-69-0159 | 2 | COTTER PIN ZINC 3/16 X 1 1/2" |
| 6 | NC02-25-0011 | 6 | WASHER SAE ZINC 17/32 ID |
| 7 | NC01-17-0250 | 2 | HEX. BOLT GR2 ZINC 1/2-13 X 1 3/4" |
| 8 | NC02-32-0014 | 2 | LOCK WASHER ZINC 1/2" |
| 9 | NC01-96-0014 | 5 | NYLON-INSERT LOCKNUT ZINC 1/2-13 |
| 10 | NC14-70-0643 | 2 | HUB |
| 11 | NC02-12-0005 | 10 | HEX. NUT ZINC 1/2-20 |
| 12 | 39-04-0441 | 2 | RAMP LOCK |
| 13 | 39-04-0360 | 2 | DOOR LOCK |
| 14 | NC01-29-0006 | 2 | HEX. BOLT GR5 NF ZINC 1/4-28 X 1 1/2 |
| 15 | NC01-97-0004 | 2 | NYLON-INSERT LOCKNUT ZINC 1/4-28 |
| 16 | 01-01-0925 | 5 | WASHER |
| 17 | NC01-17-0257 | 3 | HEX. BOLT GR2 ZINC 1/2-13 X 3 1/2" |
| 18 | NC14-70-0310 | 2 | SLOTTED NUT 1-14 |
| 19 | NC14-70-0311 | 2 | COTTER PIN ZINC 5/32" X 2" |
| 20 | 39-42-0125 | 2 | SPRING BUSHING |
| 21 | NC13-85-0060 | 1 | TRAILER RAMP SPRING |
| 22 | NC13-85-0059 | 1 | TRAILER RAMP SPRING |
| 23 | NC14-70-0644 | 2 | Wheels GR400 |
| 24 | NC14-70-0605 | 2 | WASHER |

NC14-70-0643

| # | PART # | QTY | TITLE |
|----|--------------|-----|----------------------|
| 25 | NC14-70-0093 | 2 | EXTERIOR BEARING |
| 26 | NC14-70-0324 | 1 | SEAL 1.219" X 1.980" |

| # | PART # | Qty | TITLE |
|----|--------------|-----|--|
| 1 | 39-50-0802 | 1 | TRAILER |
| 2 | 39-42-0047 | 2 | TRAILER RUBBER |
| 3 | NC01-78-0300 | 24 | RIVETS AC. AV. SUPR. TI. AC. .187 X .515 CAP. RIVET .270 |
| 4 | NC13-15-0034 | 5 | RUBBER ABSORBER |
| 5 | NC02-32-0011 | 5 | LOCK WASHER ZINC 5/16" |
| 6 | NC02-07-0017 | 5 | HEX. NUT 5/16-18 |
| 7 | NC01-04-0107 | 20 | CARR. BOLT GR2 ZINC 3/8-16 X 3/4" |
| 8 | NC02-14-0019 | 20 | FLANGE NUT HEX. NC 3/8-16 GR. B |
| 9 | 39-50-0605 | 1 | LEFT WHEEL FENDER |
| 10 | 39-50-0600 | 1 | RIGHT WHEEL FENDER |
| 11 | 39-01-0136 | 1 | POSITIONING GUIDE |
| 12 | 39-01-0138 | 1 | POSITIONING GUIDE |



USE THESE PIECES ONLY IF YOUR SERIAL NUMBER IS AFFECTED:

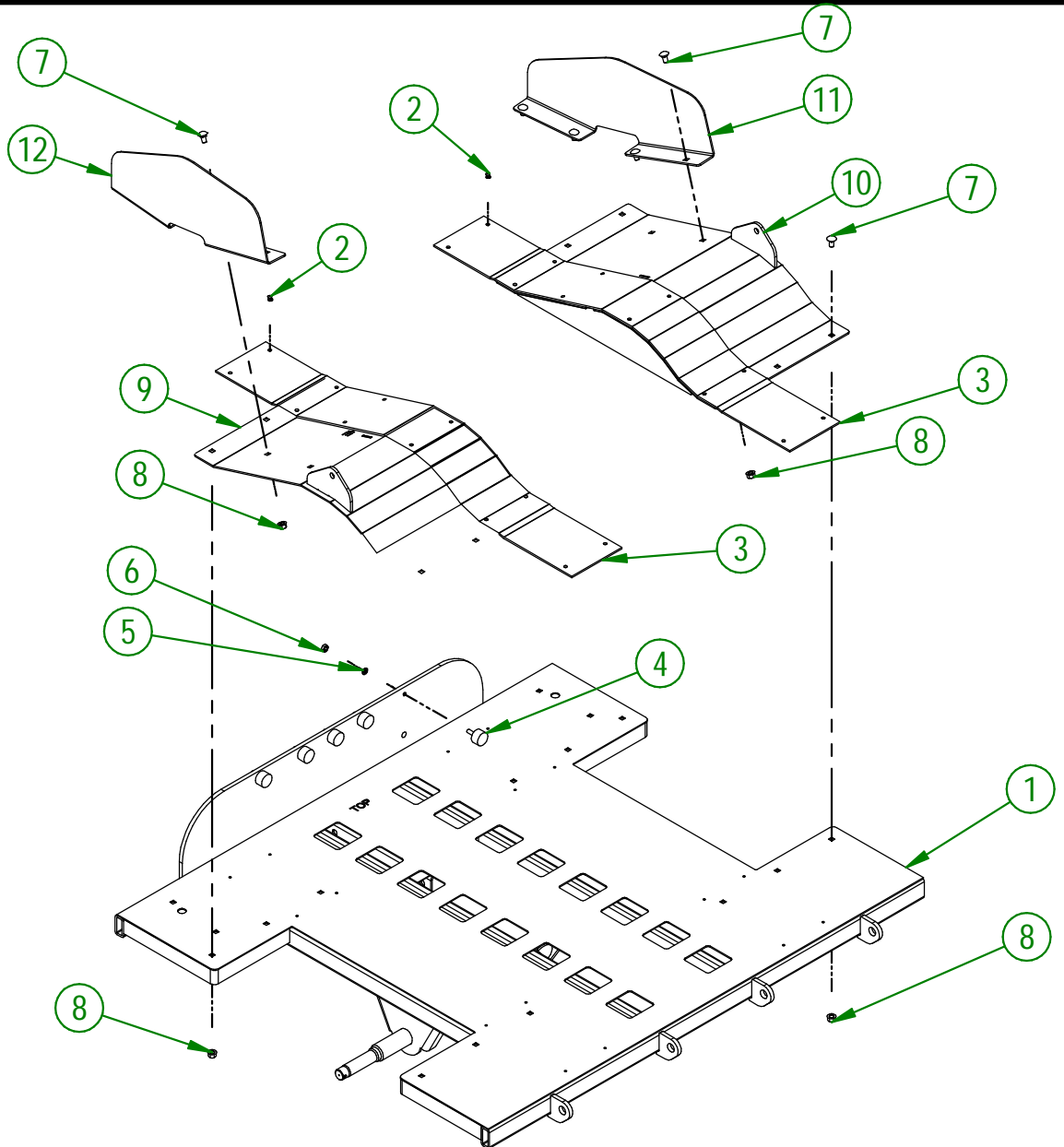
#43193 AND BELOW

AGRIMETAL TRAILER

CREATION : 07/01/21
REVISION : 16/01/23

ASSEMBLY : **39-57-0520**
AUTHOR : J. Houle

| # | PART # | Qty | TITLE |
|----|--------------|-----|--|
| 1 | 39-50-0802 | 1 | TRAILER |
| 2 | NC01-78-0300 | 24 | RIVETS AC. AV. SUPR. TI. AC. .187 X .515 CAP. RIVET .270 |
| 3 | 39-42-0049 | 2 | TRAILER RUBBER |
| 4 | NC13-15-0034 | 5 | RUBBER ABSORBER |
| 5 | NC02-32-0011 | 5 | LOCK WASHER ZINC 5/16" |
| 6 | NC02-07-0017 | 5 | HEX. NUT 5/16-18 |
| 7 | NC01-04-0107 | 20 | CARR. BOLT GR2 ZINC 3/8-16 X 3/4" |
| 8 | NC02-14-0019 | 20 | FLANGE NUT HEX. NC 3/8-16 GR. B |
| 9 | 39-50-0607 | 1 | LEFT WHEEL FENDER |
| 10 | 39-50-0602 | 1 | RIGHT WHEEL FENDER |
| 11 | 39-01-0350 | 1 | POSITIONING GUIDE |
| 12 | 39-01-0345 | 1 | POSITIONING GUIDE |



USE THESE PIECES ONLY IF YOUR SERIAL NUMBER IS AFFECTED:

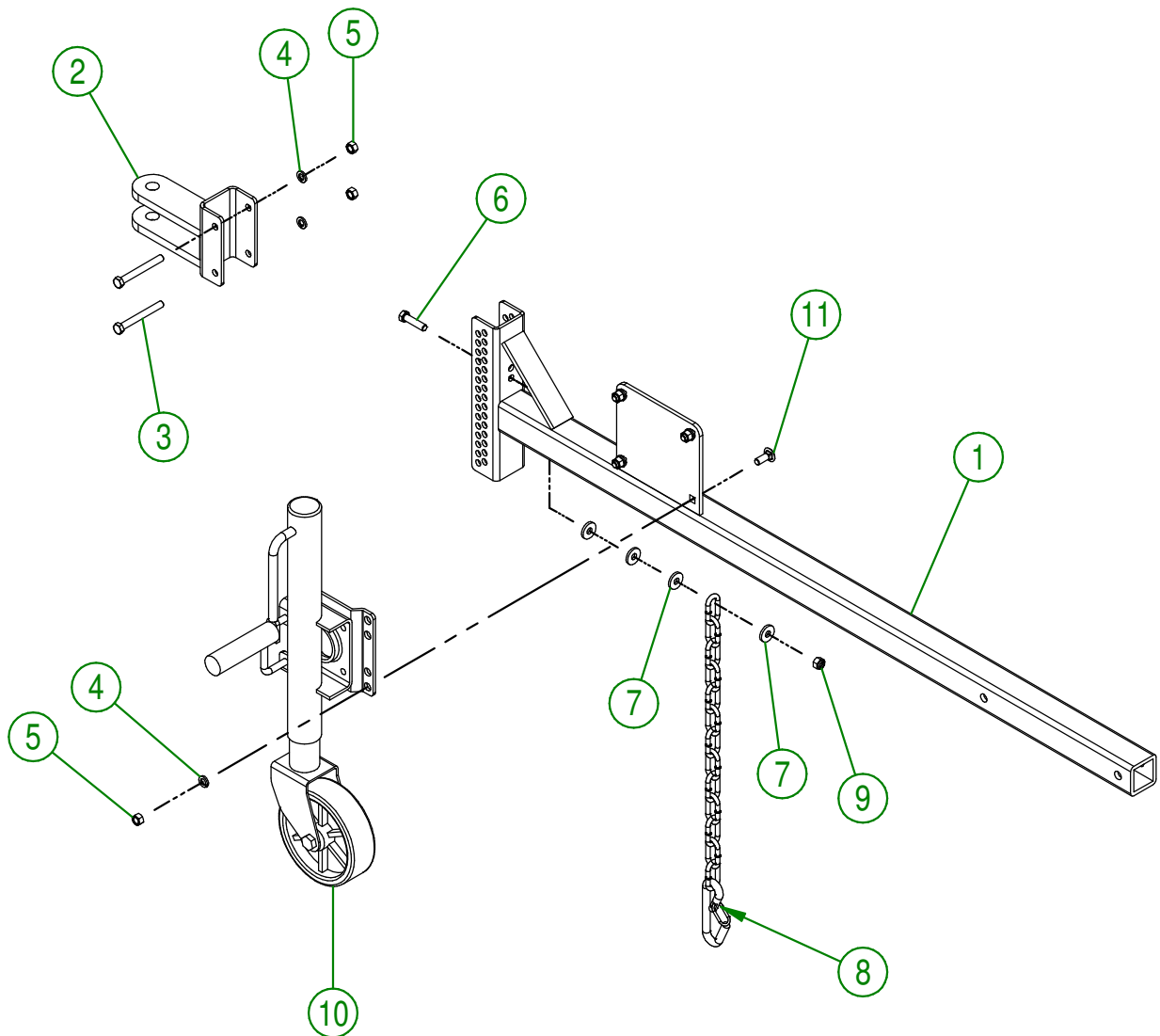
#43193 AND ABOVE

AGRIMETAL TRAILER

CREATION : 17/10/22
REVISION : 16/01/23

ASSEMBLY : **39-57-0523**
AUTHOR : D. CHASSÉ

| # | PART # | Qty | TITLE |
|----|--------------|-----|--------------------------------------|
| 1 | 39-50-0327 | 1 | DRAWBAR |
| 2 | 33-50-0055 | 1 | WELD ASSEMBLY HAND |
| 3 | NC01-17-0123 | 2 | HEX. BOLT GR2 ZINC 3/8-16 |
| 4 | NC02-32-0012 | 6 | LOCK WASHER ZINC 3/8" |
| 5 | NC02-07-0018 | 6 | HEX. NUT ZINC 3/8-16 |
| 6 | NC01-17-0116 | 1 | HEX. BOLT GR2 ZINC 3/8-16 X 1 1/2" |
| 7 | 21-01-0950 | 4 | FLAT WASHER IOGA 1.005" DIA X 25/64" |
| 8 | 55-41-0000 | 1 | SAFETY CHAIN |
| 9 | NC01-96-0011 | 1 | NYLON NUT 3/8-16 |
| 10 | 39-55-0330 | 1 | ADJUSTABLE WHEEL CRUTCH |
| 11 | NC01-04-0109 | 4 | CARR. BOLT GR2 ZINC 3/8-16 X 1" |



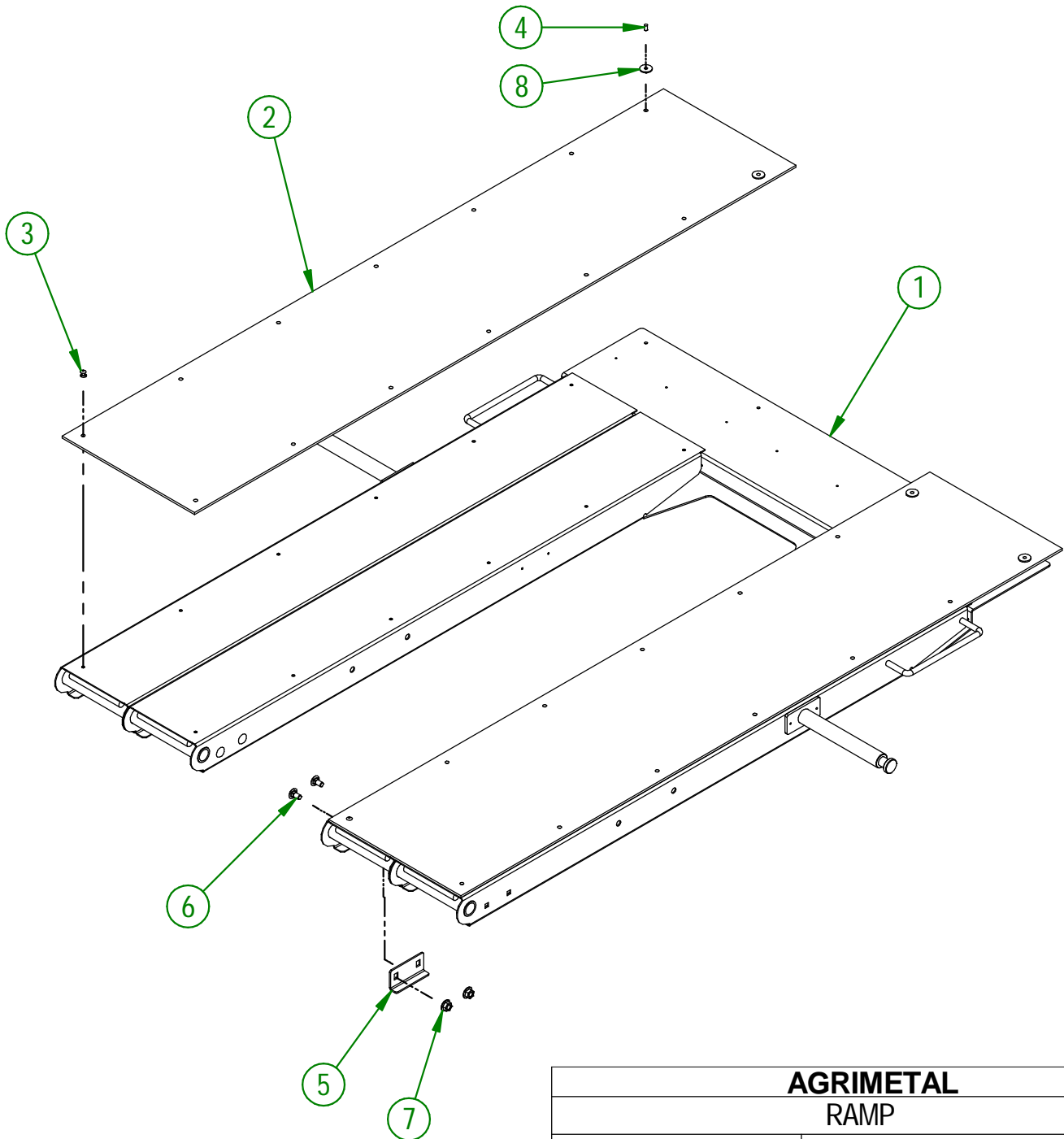
AGRIMETAL
DRAWBAR GROUPING

CREATION : 07/01/21
REVISION : 06/12/21

ASSEMBLY : **39-55-0314**
AUTHOR : J. Houle

39-55-0812

| # | PART # | Qty | TITLE |
|---|--------------|-----|--|
| 1 | 39-50-0812 | 1 | TRAILER RAMP |
| 2 | 39-42-0031 | 2 | RAMP RUBBER |
| 3 | NC01-78-0300 | 24 | RIVETS AC. AV. SUPR. TI. AC. .187 X .515 CAP. RIVET .270 |
| 4 | NC01-78-0405 | 4 | STEEL BLIND POP RIVET STEEL MANDREL 0.187 X 0.690 |
| 5 | 39-01-0170 | 2 | TRAILER RAMP REINFORCEMENT |
| 6 | NC01-04-0055 | 4 | CARR. BOLT GR2 ZINC 5/16-18 X 5/8" |
| 7 | NC02-14-0006 | 4 | HEX. NUT SPECIAL FLANGET NC 5/16-18 B GRADE |
| 8 | 16-01-2720 | 4 | WASHER 13/16" DIA. X 13/64" |

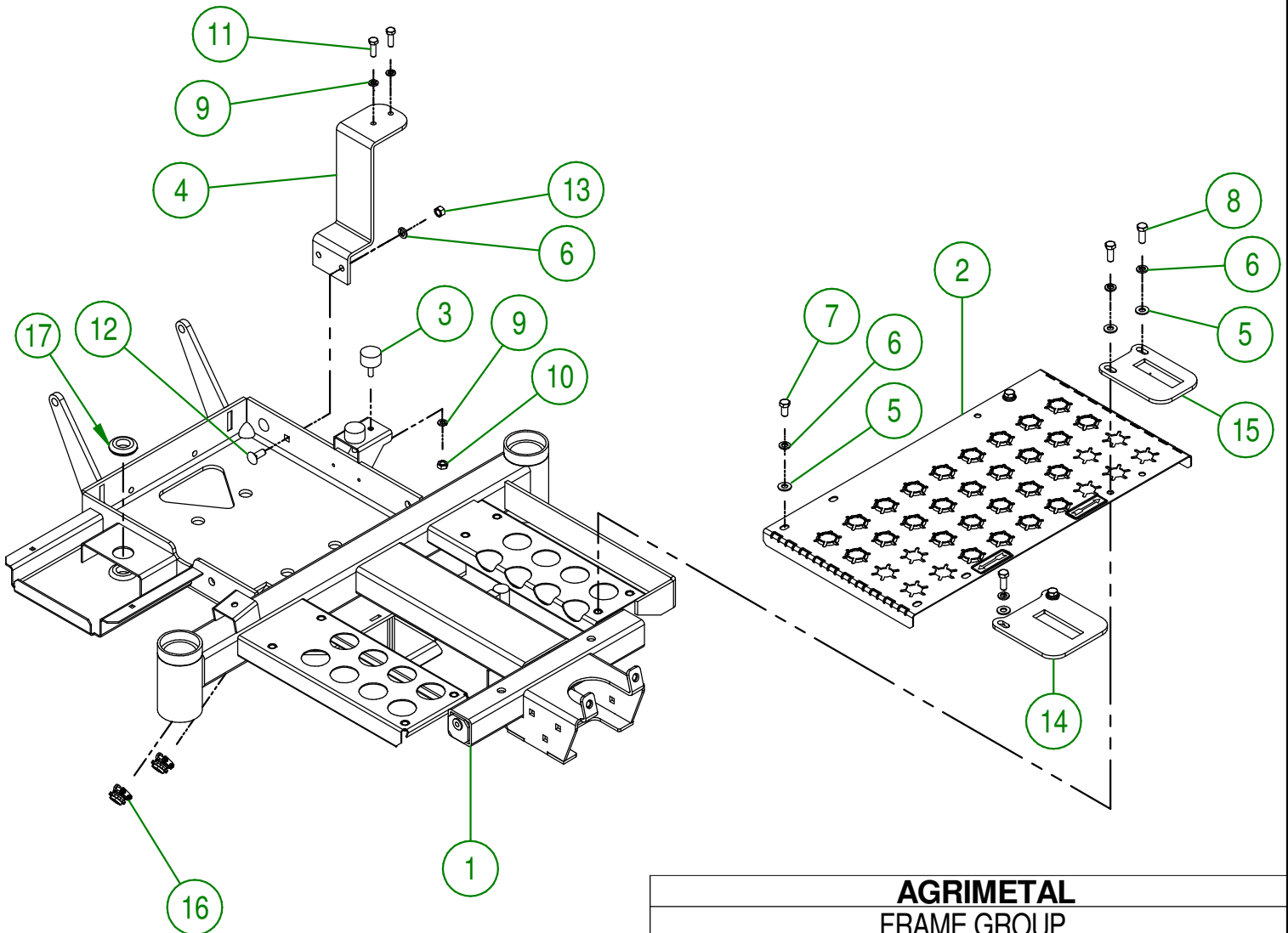


AGRIMETAL
RAMP

CREATION : 07/01/21
REVISION : 24/08/23

ASSEMBLY : **39-55-0812**
AUTHOR : J. Houle

| # | PART # | Qty | TITLE |
|----|--------------|-----|--|
| 1 | 39-50-0502 | 1 | FRAME |
| 2 | 39-57-0125 | 1 | FOOTBOARD "STICKER INCLUDED" |
| 3 | NC13-15-0034 | 2 | RUBBER ABSORBER |
| 4 | 39-50-0020 | 1 | OIL FILTER HOLDER |
| 5 | 01-01-2485 | 6 | FLAT WASHER 14 GA X 13/16"OD X 25/64" ID |
| 6 | NC02-32-0012 | 8 | LOCK WASHER ZINC 3/8" |
| 7 | NC01-17-0112 | 2 | HEX. BOLT GR2 ZINC 3/8-16 X 3/4" |
| 8 | NC01-17-0114 | 4 | HEX. BOLT GR2 ZINC 3/8-16 X 1" |
| 9 | NC02-32-0011 | 4 | LOCK WASHER ZINC 5/16" |
| 10 | NC02-07-0017 | 2 | HEX. NUT 5/16-18 |
| 11 | NC01-17-0060 | 2 | HEX. BOLT GR2 ZINC 5/16-18 X 1" |
| 12 | NC01-04-0109 | 2 | CARR. BOLT GR2 ZINC 3/8-16 X 1" |
| 13 | NC02-07-0018 | 2 | HEX. NUT ZINC 3/8-16 |
| 14 | 39-04-0186 | 1 | STOPPER PLATE FOR PEDAL (RIGHT) |
| 15 | 39-04-0188 | 1 | STOPPER PLATE FOR PEDAL (LEFT) |
| 16 | NC13-25-0378 | 2 | WHITE METAL CONNECTOR |
| 17 | NC13-15-0014 | 2 | RUBBER WIRE WASHER |



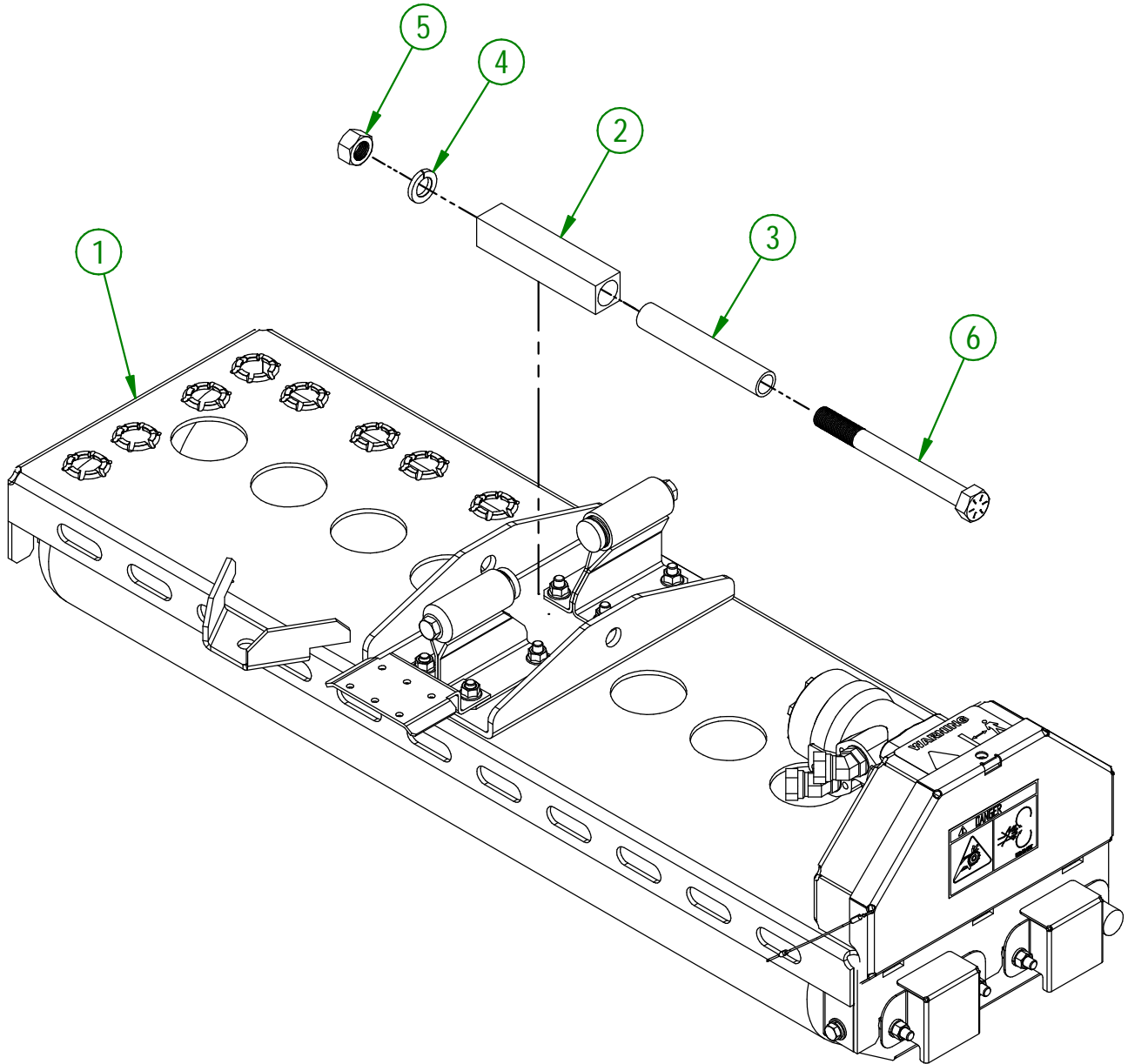
AGRIMETAL
FRAME GROUP

CREATION : 30/12/20
REVISION : 30/12/20

ASSEMBLY : **39-57-0502**
AUTHOR : J. Houle

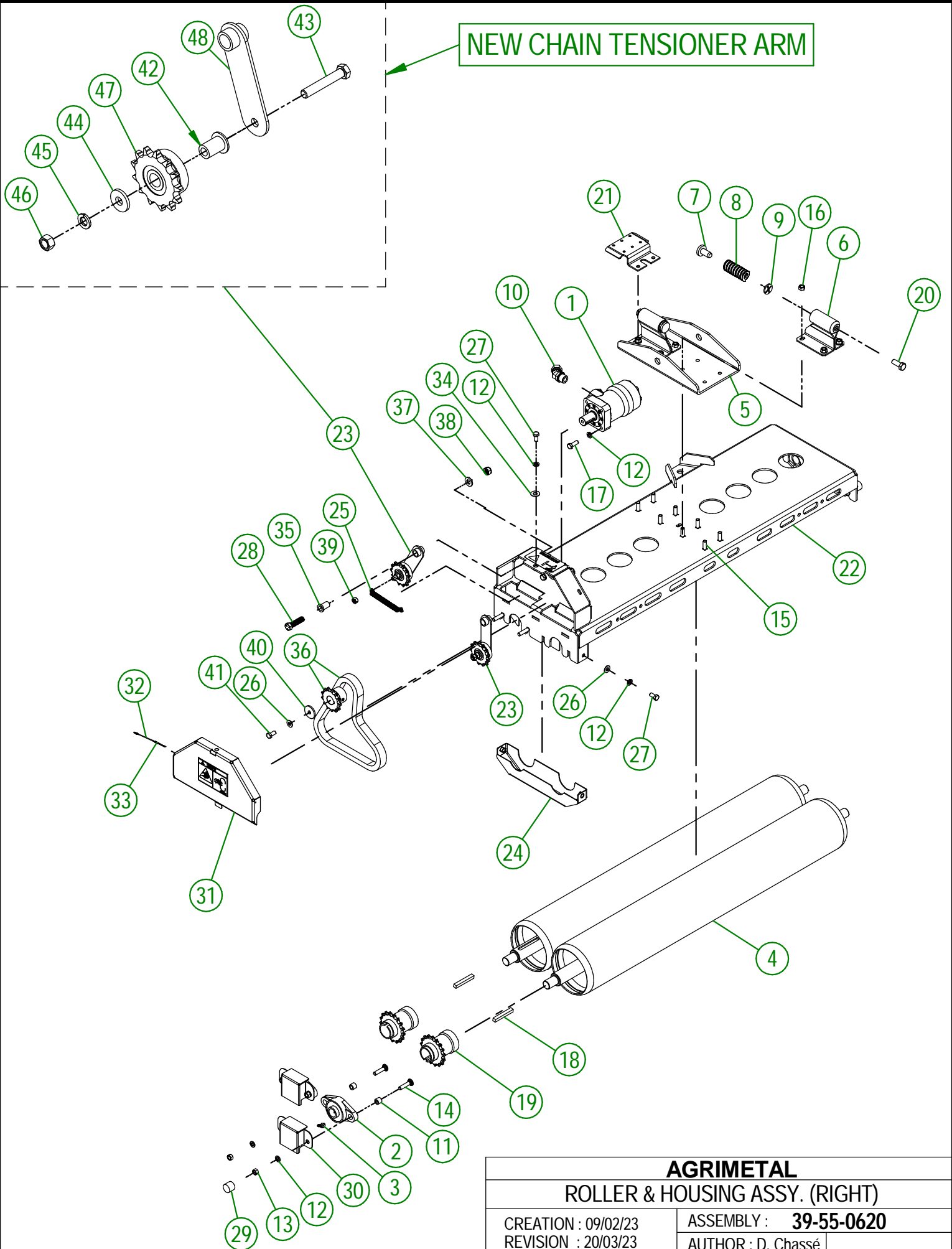
39-57-0603

| # | PART # | Qty | TITLE |
|---|--------------|-----|---------------------------------------|
| 1 | 39-55-0620 | 1 | ROLLER & HOUSING ASSY. (RIGHT) |
| 2 | 39-42-0703 | 1 | PIVOTING BLOCK |
| 3 | 39-09-1207 | 1 | BUSHING |
| 4 | NC02-32-0017 | 1 | LOCK WASHER ZINC 3/4" |
| 5 | NC02-11-0023 | 1 | NUT 3/4-16 |
| 6 | NC01-37-0484 | 1 | HEX BOLT. GR8 NF ZINC 3/4-16 X 7 1/2" |



| | |
|---------------------------|------------------------------|
| AGRIMETAL | |
| RIGHT ROLLER GROUP | |
| CREATION : 10/02/22 | ASSEMBLY : 39-57-0603 |
| REVISION : 10/02/22 | AUTHOR : J. Houle |

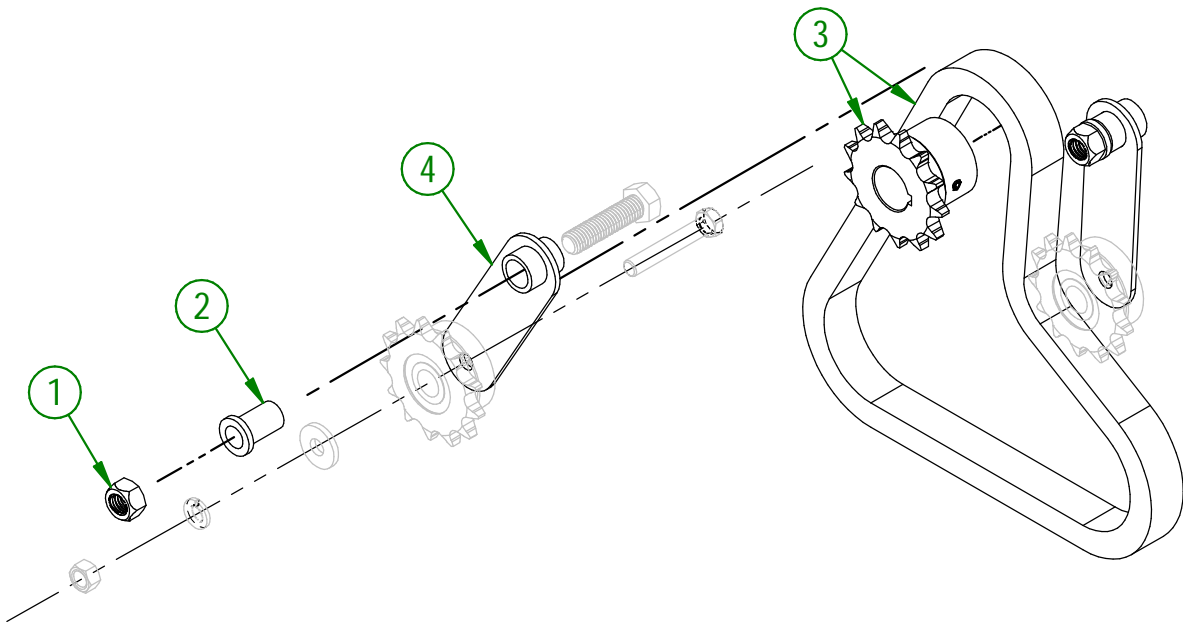
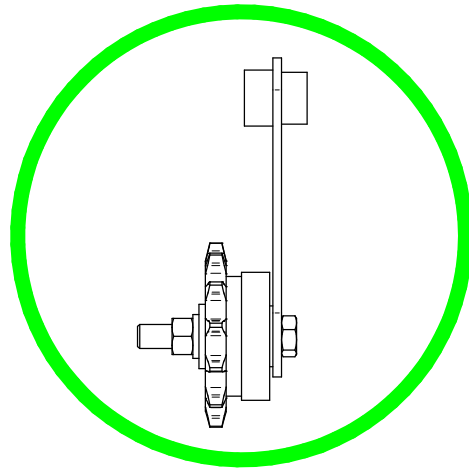
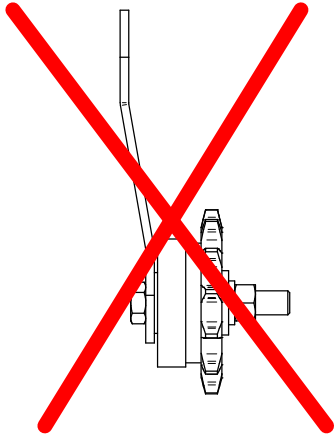
NEW CHAIN TENSIONER ARM



| | |
|---|------------------------------|
| AGRIMETAL | |
| ROLLER & HOUSING ASSY. (RIGHT) | |
| CREATION : 09/02/23 | ASSEMBLY : 39-55-0620 |
| REVISION : 20/03/23 | AUTHOR : D. Chassé |

IMPORTANT

IF YOUR CHAIN TENSIONER ARMS HAVE BENDS LIKE THE PICTURE, YOU HAVE TO ORDER THE REPLACEMENT KIT 39-57-0225



39-57-0225

| # | PART # | Qty | TITLE |
|---|--------------|-----|------------------------|
| 1 | NC01-93-0014 | 2 | LOCK NUT ZINC 1/2-13 |
| 2 | 39-13-0115 | 2 | BUSHING |
| 3 | 39-57-0225 | 1 | CHAIN AND SPOCKET KIT |
| 4 | 39-50-0155 | 2 | CHAIN TENSIONNER PIVOT |

39-55-0620

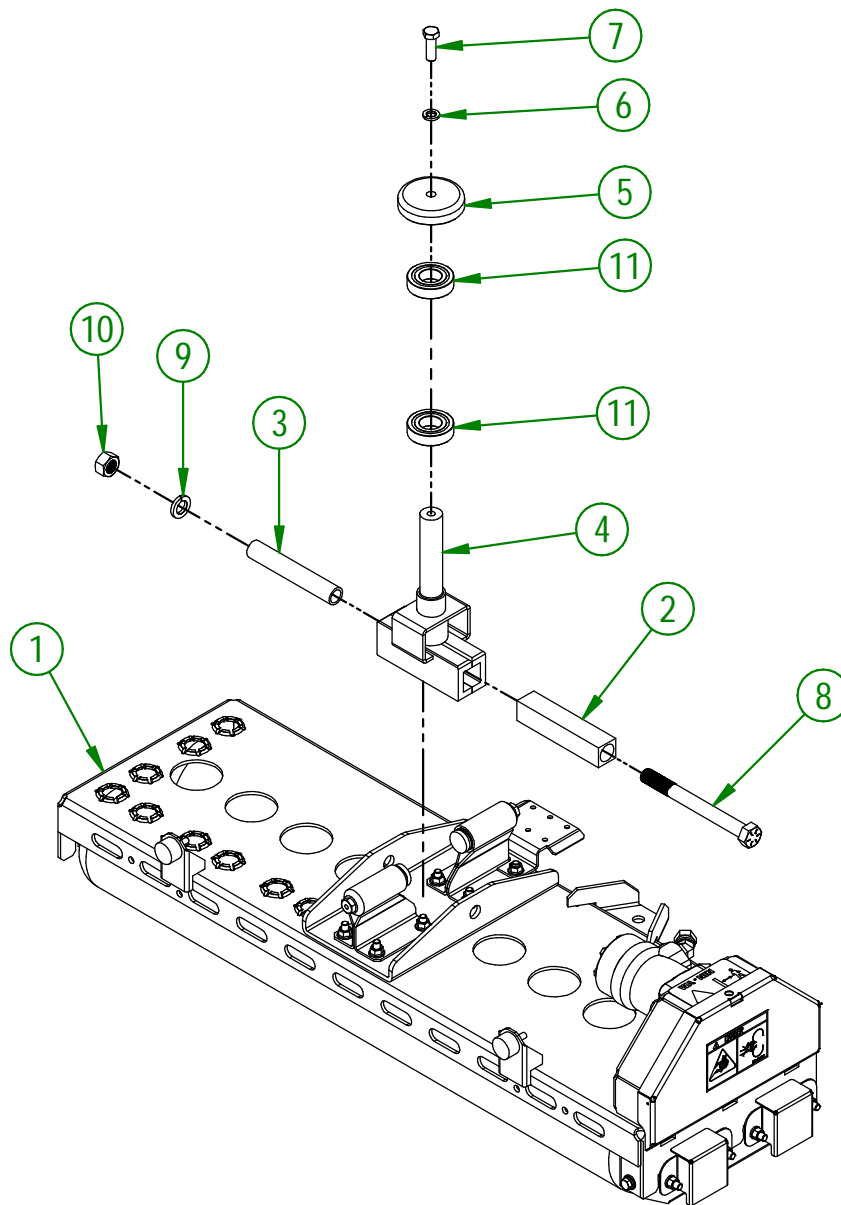
| # | PART # | Qty | TITLE |
|----|--------------|-----|---|
| 1 | NC14-45-0041 | 1 | 100cc HYDRAULIC MOTOR |
| 2 | NC14-75-0019 | 4 | FLANGE PILLOW BLOCK BEARING UCFL205-16 Ø 1" |
| 3 | NC01-69-0802 | 4 | GREASE FITTING 6mm X 45mm |
| 4 | 39-50-0596 | 2 | ROLLER |
| 5 | 39-04-0227 | 1 | ROLLER SUPPORT |
| 6 | 39-50-0045 | 2 | SPRING GUIDE |
| 7 | 39-42-0100 | 2 | SPRING TIP |
| 8 | NC13-86-0159 | 2 | RED SPRING 1 1/4"OD X 5/8"ID X 2" LG |
| 9 | 39-01-1000 | 2 | SPRING GUIDE WASHER |
| 10 | NC13-45-0046 | 2 | 45°-7/8-14 MALE O RING X 1/2 FEM.TOUR.NPT PT |
| 11 | 01-09-0000 | 8 | BEARING RACE (UCFL205-16) |
| 12 | NC02-32-0012 | 15 | LOCK WASHER ZINC 3/8" |
| 13 | NC02-07-0018 | 8 | HEX. NUT ZINC 3/8-16 |
| 14 | NC01-04-0111 | 8 | CARR. BOLT GR2 ZINC 3/8-16 X 1 1/2" |
| 15 | NC01-04-0110 | 8 | CARR. BOLT GR2 ZINC 3/8-16 X 1 1/4" |
| 16 | NC02-14-0019 | 8 | FLANGE NUT HEX. NC 3/8-16 GR. B |
| 17 | NC01-17-0114 | 4 | HEX. BOLT GR2 ZINC 3/8-16 X 1" |
| 18 | 48-41-0905 | 2 | SQUARE KEY 3/8" X 2 3/4" LG |
| 19 | NC14-55-0333 | 2 | ROLLER SPROCKET |
| 20 | NC01-17-0248 | 2 | HEX. BOLT GR2 ZINC 1/2-13 X 1 1/4" |
| 21 | 39-01-1051 | 1 | HYDRAULIC HOSE SUPPORT |
| 22 | 39-57-0181 | 1 | ROLLER HOUSING STICKERS INCLUDED (RIGHT) GROUP. |
| 23 | 39-55-0161 | 2 | CHAIN TENSIONER ARM |
| 24 | 39-50-0130 | 1 | ROLLER CHAIN GUARD |
| 25 | NC13-85-0058 | 1 | CHAIN TENSIONER SPRING |
| 26 | 01-01-2485 | 3 | FLAT WASHER 14 GA X 13/16"OD X 25/64" ID |
| 27 | NC01-17-0112 | 3 | HEX. BOLT GR2 ZINC 3/8-16 X 3/4" |
| 28 | NC01-25-0251 | 2 | HEX.BOLT GR5 NC ZINC 1/2-13 X 2" |
| 29 | 39-42-0110 | 2 | ROLLER NUT CAP |
| 30 | 39-01-0130 | 4 | BEARING GUARD |
| 31 | 39-57-0061 | 1 | CHAIN GUARD |
| 32 | 39-41-0005 | 1 | ROLLER CHAIN GUARD CABLE |
| 33 | NC01-64-0005 | 2 | OVAL SLEEVE (ALUMINUM) |
| 34 | NC02-22-0010 | 1 | WASHER 13/32" ID |
| 35 | 39-13-0115 | 2 | BUSHING |
| 36 | 39-57-0255 | 1 | CHAIN AND SPOCKET KIT |
| 37 | NC02-25-0011 | 2 | WASHER SAE ZINC 17/32 ID |
| 38 | NC01-93-0014 | 2 | LOCK NUT ZINC 1/2-13 |
| 39 | NC01-93-0011 | 2 | LOCK NUT 3/8-16 |
| 40 | 39-21-0075 | 1 | WASHER FOR HYDRAULIC MOTOR |
| 41 | NC01-24-0007 | 1 | HEX. BOLT GR5 BLACK 3/8-16 X 3/4" |

39-55-0161

| # | PART # | Qty | TITLE |
|----|--------------|-----|--------------------------------------|
| 42 | 39-21-0070 | 1 | CHAIN TENSIONER SHAFT |
| 43 | NC01-17-0119 | 1 | HEX. BOLT GR2 ZINC 3/8-16 X 2 1/4" |
| 44 | 21-01-0950 | 1 | FLAT WASHER 10GA 1.005" DIA X 25/64" |
| 45 | NC02-32-0012 | 1 | LOCK WASHER ZINC 3/8" |
| 46 | NC02-07-0018 | 1 | HEX. NUT ZINC 3/8-16 |
| 47 | 39-55-0165 | 1 | CHAIN TENSIONER SPROCKET ASSEMBLY |
| 48 | 39-50-0155 | 1 | CHAIN TENSIONNER PIVOT |

39-57-0608

| # | PART # | Qty | TITLE |
|----|--------------|-----|---------------------------------------|
| 1 | 39-55-0625 | 1 | ROLLER HOUSING ASSY. (LEFT) |
| 2 | 39-42-0703 | 1 | PIVOTING BLOCK |
| 3 | 39-09-1207 | 1 | BUSHING |
| 4 | 39-50-0573 | 1 | LEFT PIVOT TRAILER |
| 5 | 39-21-0000 | 1 | STEERING PLATE SHAFT COVER |
| 6 | NC02-32-0014 | 1 | LOCK WASHER ZINC 1/2" |
| 7 | NC01-17-0249 | 1 | HEX. BOLT GR2 ZINC 1/2-13 X 1 1/2" |
| 8 | NC01-37-0484 | 1 | HEX BOLT. GR8 NF ZINC 3/4-16 X 7 1/2" |
| 9 | NC02-32-0017 | 1 | LOCK WASHER ZINC 3/4" |
| 10 | NC02-11-0023 | 1 | NUT 3/4-16 |
| 11 | NC14-75-0091 | 2 | 6206 ZZ BEARING |



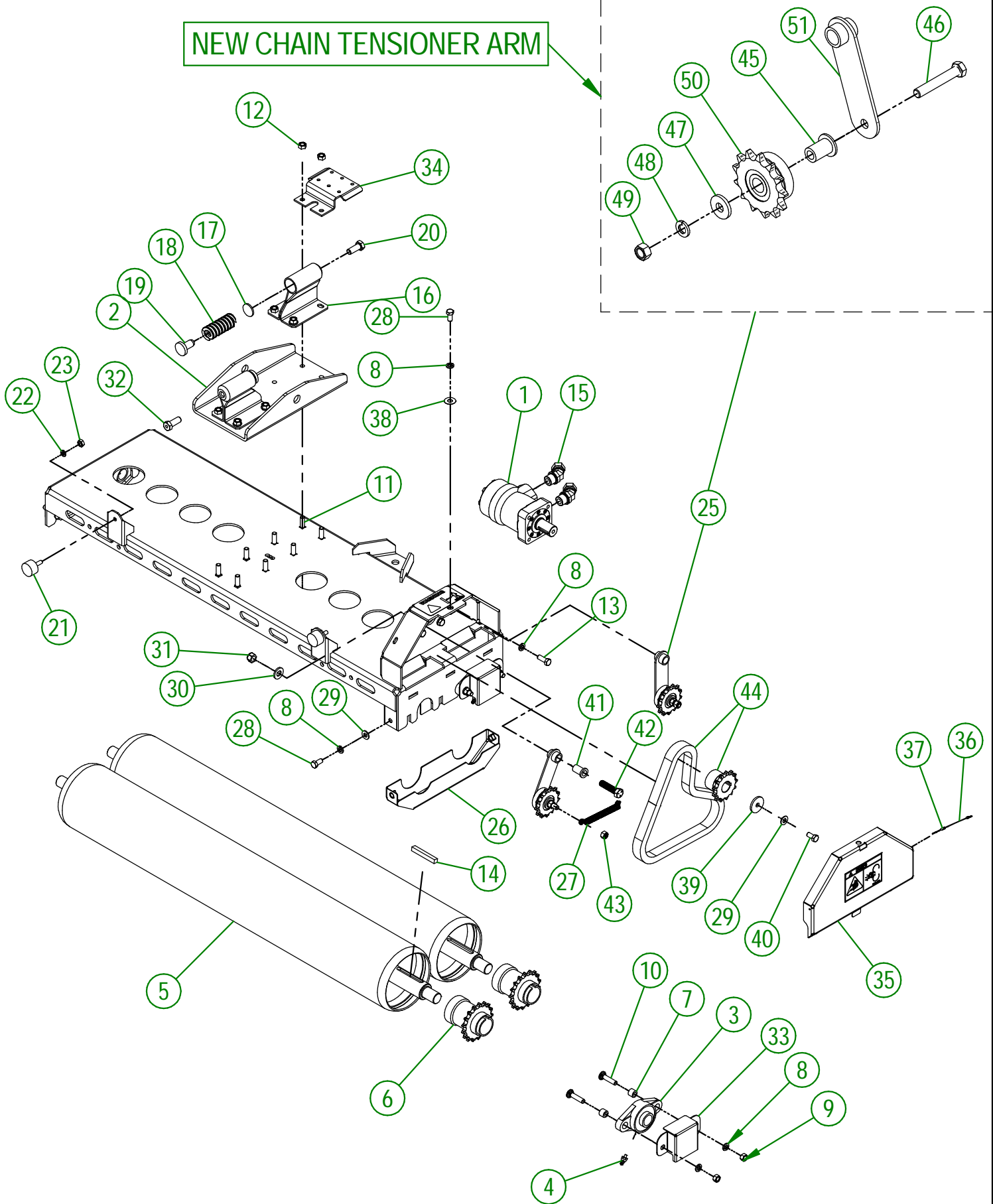
AGRIMETAL

LEFT ROLLER GROUP

CREATION : 10/02/22
REVISION : 10/02/22

ASSEMBLY : **39-57-0608**
AUTHOR : J. Houle

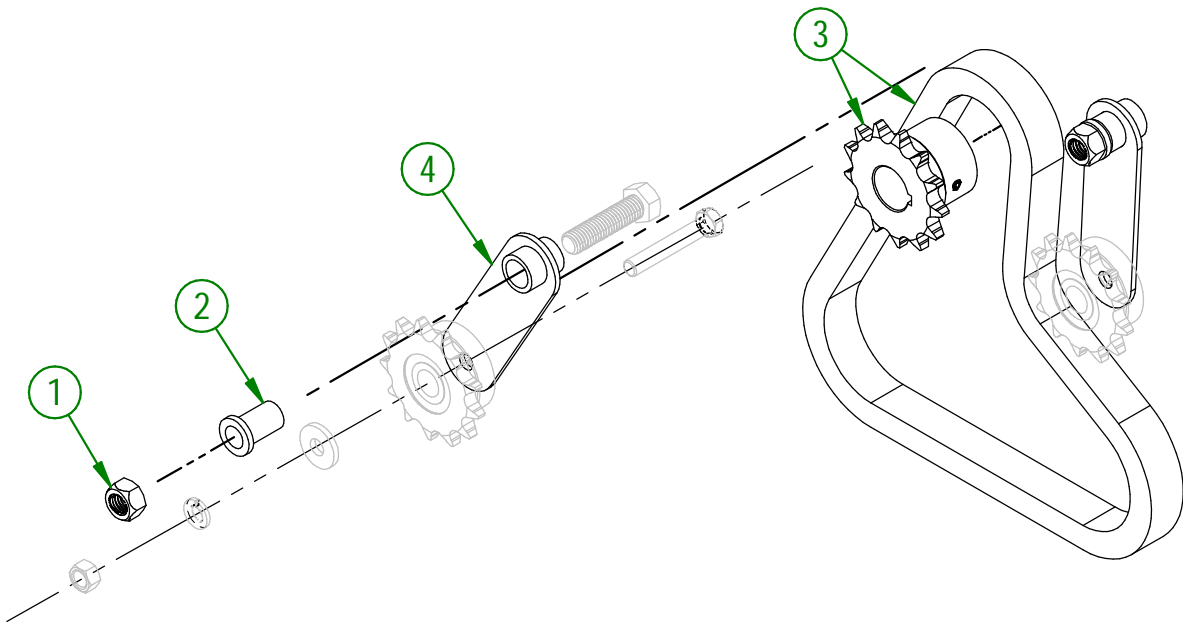
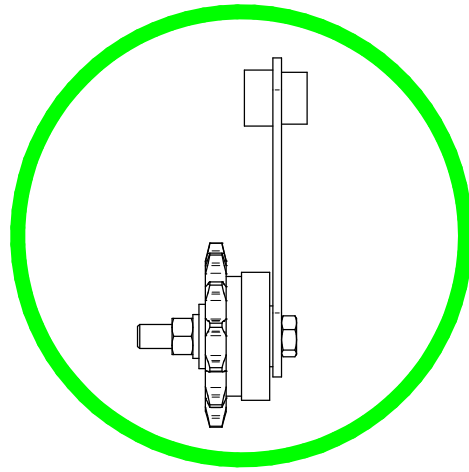
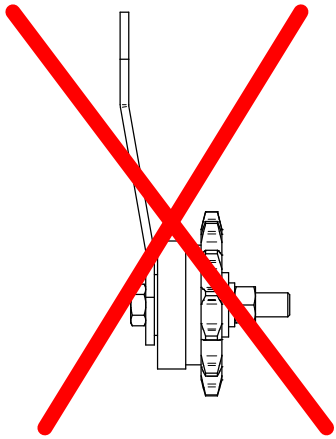
NEW CHAIN TENSIONER ARM



| | |
|------------------------------------|------------------------------|
| AGRIMETAL | |
| ROLLER HOUSING ASSY. (LEFT) | |
| CREATION : 10/02/22 | ASSEMBLY : 39-55-0625 |
| REVISION : 20/03/23 | AUTHOR : D. Chassé |

IMPORTANT

IF YOUR CHAIN TENSIONER ARMS HAVE BENDS LIKE THE PICTURE, YOU HAVE TO ORDER THE REPLACEMENT KIT 39-57-0225



39-57-0225

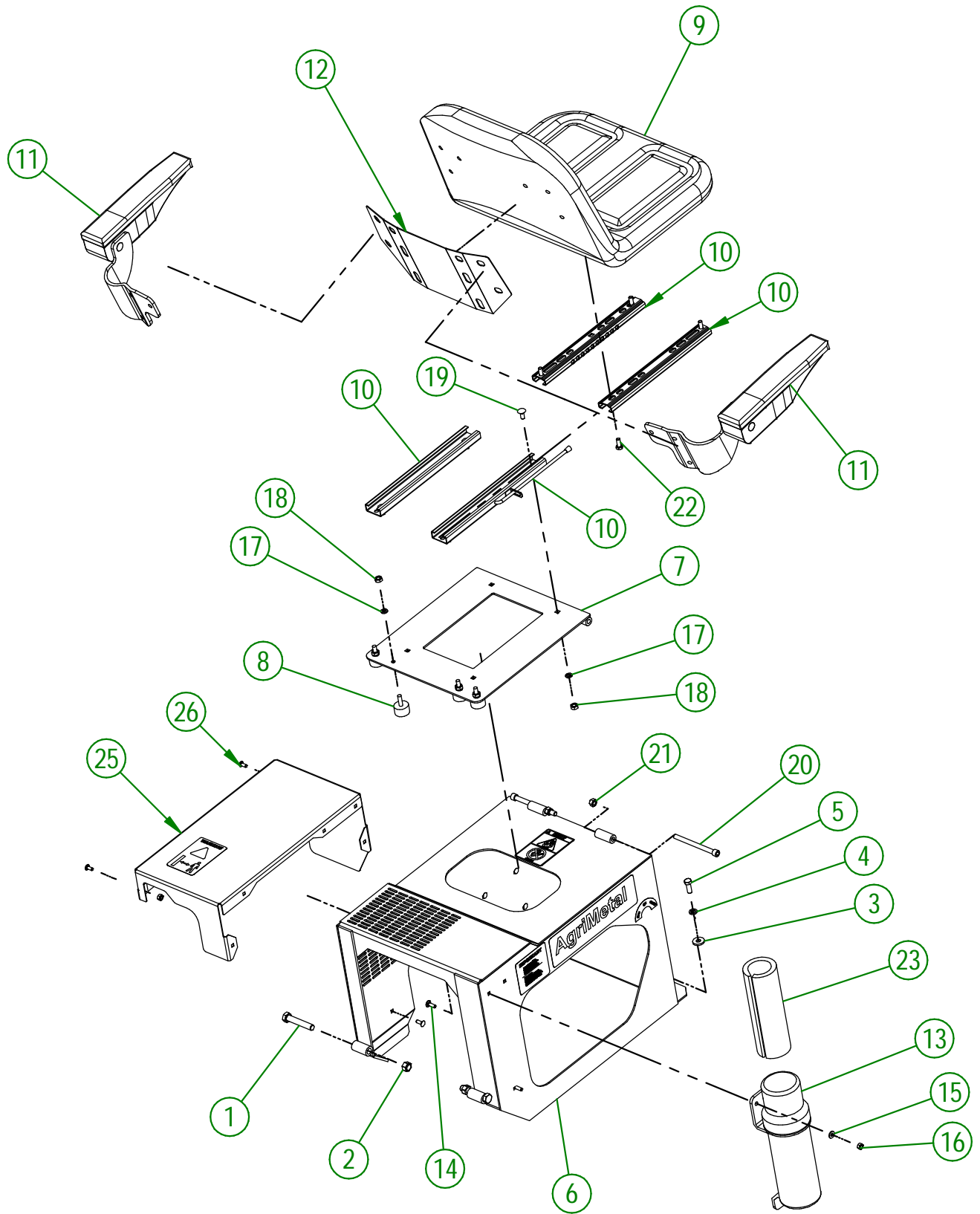
| # | PART # | Qty | TITLE |
|---|--------------|-----|------------------------|
| 1 | NC01-93-0014 | 2 | LOCK NUT ZINC 1/2-13 |
| 2 | 39-13-0115 | 2 | BUSHING |
| 3 | 39-57-0225 | 1 | CHAIN AND SPOCKET KIT |
| 4 | 39-50-0155 | 2 | CHAIN TENSIONNER PIVOT |

39-55-0625

| # | PART # | Qty | TITLE |
|----|--------------|-----|--|
| 1 | NC14-45-0041 | 1 | 100cc HYDRAULIC MOTOR |
| 2 | 39-04-0227 | 1 | ROLLER SUPPORT |
| 3 | NC14-75-0019 | 4 | FLANGE PILLOW BLOCK BEARING UCFL205-16 Ø 1" |
| 4 | NC01-69-0802 | 4 | GREASE FITTING 6mm X 45mm |
| 5 | 39-50-0596 | 2 | ROLLER |
| 6 | NC14-55-0333 | 2 | ROLLER SPROCKET |
| 7 | 01-09-0000 | 8 | BEARING RACE (UCFL205-16) |
| 8 | NC02-32-0012 | 15 | LOCK WASHER ZINC 3/8" |
| 9 | NC02-07-0018 | 8 | HEX. NUT ZINC 3/8-16 |
| 10 | NC01-04-0111 | 8 | CARR. BOLT GR2 ZINC 3/8-16 X 1 1/2" |
| 11 | NC01-04-0110 | 8 | CARR. BOLT GR2 ZINC 3/8-16 X 1 1/4" |
| 12 | NC02-14-0019 | 8 | FLANGE NUT HEX. NC 3/8-16 GR. B |
| 13 | NC01-17-0114 | 4 | HEX. BOLT GR2 ZINC 3/8-16 X 1" |
| 14 | 48-41-0905 | 2 | SQUARE KEY 3/8" X 2 3/4" LG |
| 15 | NC13-45-0046 | 2 | 45°-7/8-14 MALE O RING X 1/2 FEM.TOUR.NPT PT |
| 16 | 39-50-0045 | 2 | SPRING GUIDE |
| 17 | 39-01-1000 | 2 | SPRING GUIDE WASHER |
| 18 | NC13-86-0159 | 2 | RED SPRING 1 1/4"OD X 5/8"ID X 2" LG |
| 19 | 39-42-0100 | 2 | SPRING TIP |
| 20 | NC01-17-0248 | 1 | HEX. BOLT GR2 ZINC 1/2-13 X 1 1/4" |
| 21 | NC13-15-0034 | 2 | RUBBER ABSORBER |
| 22 | NC02-32-0011 | 2 | LOCK WASHER ZINC 5/16" |
| 23 | NC02-07-0017 | 2 | HEX. NUT 5/16-18 |
| 24 | 39-57-0171 | 1 | ROLLER HOUSING (LEFT) |
| 25 | 39-55-0161 | 2 | CHAIN TENSIONER ARM |
| 26 | 39-50-0130 | 1 | ROLLER CHAIN GUARD |
| 27 | NC13-85-0058 | 1 | CHAIN TENSIONER SPRING |
| 28 | NC01-17-0112 | 3 | HEX. BOLT GR2 ZINC 3/8-16 X 3/4" |
| 29 | 01-01-2485 | 3 | FLAT WASHER 14 GA X 13/16"OD X 25/64" ID |
| 30 | NC02-25-0011 | 2 | WASHER SAE ZINC 17/32 ID |
| 31 | NC01-96-0014 | 2 | NYLON-INSERT LOCKNUT ZINC 1/2-13 |
| 32 | 39-30-9960 | 1 | LEFT LIGHT HOLDER |
| 33 | 39-01-0130 | 4 | BEARING GUARD |
| 34 | 39-01-1051 | 1 | HYDRAULIC HOSE SUPPORT |
| 35 | 39-57-0061 | 1 | CHAIN GUARD |
| 36 | 39-41-0005 | 1 | ROLLER CHAIN GUARD CABLE |
| 37 | NC01-64-0005 | 2 | OVAL SLEEVE (ALUMINUM) |
| 38 | NC02-22-0010 | 1 | WASHER 13/32" ID |
| 39 | 39-21-0075 | 1 | WASHER FOR HYDRAULIC MOTOR |
| 40 | NC01-24-0007 | 1 | HEX. BOLT GR5 BLACK 3/8-16 X 3/4" |
| 41 | 39-13-0115 | 2 | BUSHING |
| 42 | NC01-25-0251 | 2 | HEX.BOLT GR5 NC ZINC 1/2-13 X 2" |
| 43 | NC01-93-0011 | 2 | LOCK NUT 3/8-16 |
| 44 | 39-57-0255 | 1 | CHAIN AND SPOCKET KIT |

39-55-0161

| # | PART # | Qty | TITLE |
|----|--------------|-----|--------------------------------------|
| 45 | 39-21-0070 | 1 | CHAIN TENSIONER SHAFT |
| 46 | NC01-17-0119 | 1 | HEX. BOLT GR2 ZINC 3/8-16 X 2 1/4" |
| 47 | 21-01-0950 | 1 | FLAT WASHER 10GA 1.005" DIA X 25/64" |
| 48 | NC02-32-0012 | 1 | LOCK WASHER ZINC 3/8" |
| 49 | NC02-07-0018 | 1 | HEX. NUT ZINC 3/8-16 |
| 50 | 39-55-0165 | 1 | CHAIN TENSIONER SPROCKET ASSEMBLY |
| 51 | 39-50-0155 | 1 | CHAIN TENSIONNER PIVOT |



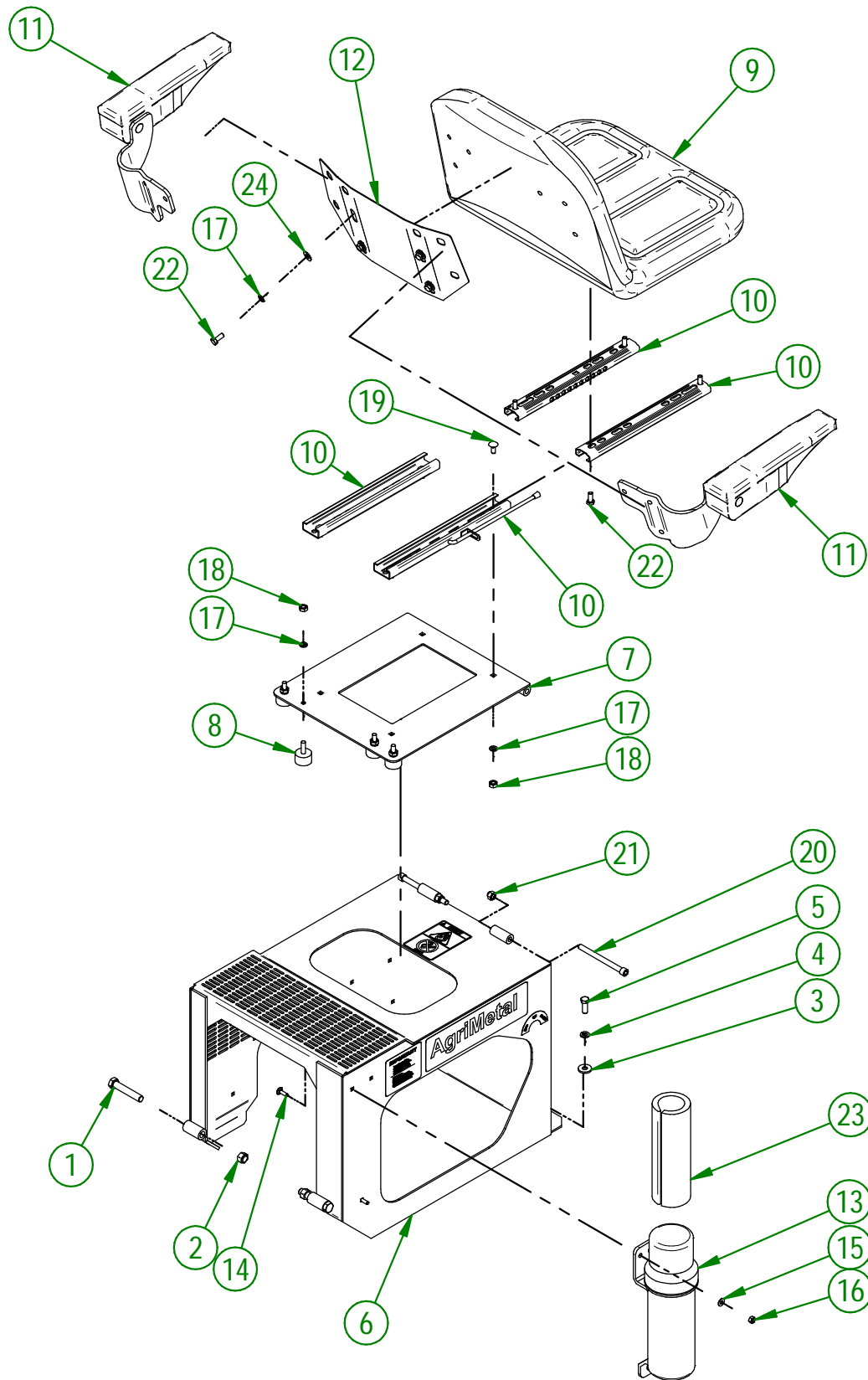
USE THESE PIECES ONLY IF YOUR SERIAL NUMBER IS AFFECTED:

BETWEEN #39530 AND #42832

| | |
|---------------------------|------------------------------|
| AGRIMETAL | |
| ENGINE COVER GROUP | |
| CREATION : 08/01/21 | ASSEMBLY : 39-57-0542 |
| REVISION : 02/12/22 | AUTHOR : J. Houle |

39-57-0542

| # | PART # | Qty | TITLE |
|----|--------------|-----|---|
| 1 | NC01-17-0254 | 2 | HEX. BOLT GR2 ZINC 1/2-13 X 2 1/2" |
| 2 | NC01-96-0014 | 2 | NYLON-INSERT LOCKNUT ZINC 1/2-13 |
| 3 | 21-01-0950 | 2 | FLAT WASHER IOGA 1.005" DIA X 25/64" |
| 4 | NC02-32-0012 | 2 | LOCK WASHER ZINC 3/8" |
| 5 | NC01-17-0114 | 2 | HEX. BOLT GR2 ZINC 3/8-16 X 1" |
| 6 | 39-57-0010 | 1 | ENGINE COVER |
| 7 | 39-50-0115 | 1 | SEAT FOLDER HOLDER |
| 8 | NC13-15-0034 | 4 | RUBBER ABSORBER |
| 9 | NC13-80-0200 | 1 | SEAT |
| 10 | NC13-80-0201 | 1 | SET OF SEAT RAIL |
| 11 | NC13-80-0295 | 1 | ARMRESTS |
| 12 | 39-01-0400 | 1 | BACK REST SEAT REINFORCEMENT |
| 13 | NC13-30-0237 | 1 | PLASTIC TUBE FOR OPERATOR'S MANUAL |
| 14 | NC01-04-0003 | 3 | CARR. BOLT GR2 ZINC 1/4-20 X 3/4" |
| 15 | NC02-25-0007 | 3 | WASHER ZINC 0.281 = 9/32 |
| 16 | NC01-96-0009 | 11 | NYLON-INSERT LOCKNUT ZINC 1/4-20 |
| 17 | NC02-32-0011 | 8 | LOCK WASHER ZINC 5/16" |
| 18 | NC02-07-0017 | 8 | HEX. NUT 5/16-18 |
| 19 | NC01-04-0056 | 4 | CARR. BOLT 5/16-18 X3/4" |
| 20 | NC02-50-0112 | 2 | HEX. BOLT GR2 ZINC 3/8-16 X 4 1/2" |
| 21 | NC01-96-0011 | 2 | NYLON NUT 3/8-16 |
| 22 | NC01-17-0058 | 4 | HEX. BOLT GR2 ZINC 5/16-18 X 3/4" LG |
| 23 | 39-98-0631 | 1 | OPERATOR'S MANUAL |
| 24 | NC01-04-0002 | 5 | CARR. BOLT GR2 ZINC 1/4-20 X 5/8" |
| 25 | 39-57-0536 | 1 | HYDROSTATIC POMP GUARD GROUP (STICKER INCLUDED) |
| 26 | NC01-04-0001 | 3 | CARR. BOLT GR2 ZINC 1/4-20 X1/2" |



USE THESE PIECES ONLY IF YOUR SERIAL
NUMBER IS AFFECTED:

BETWEEN #42833 AND #43770

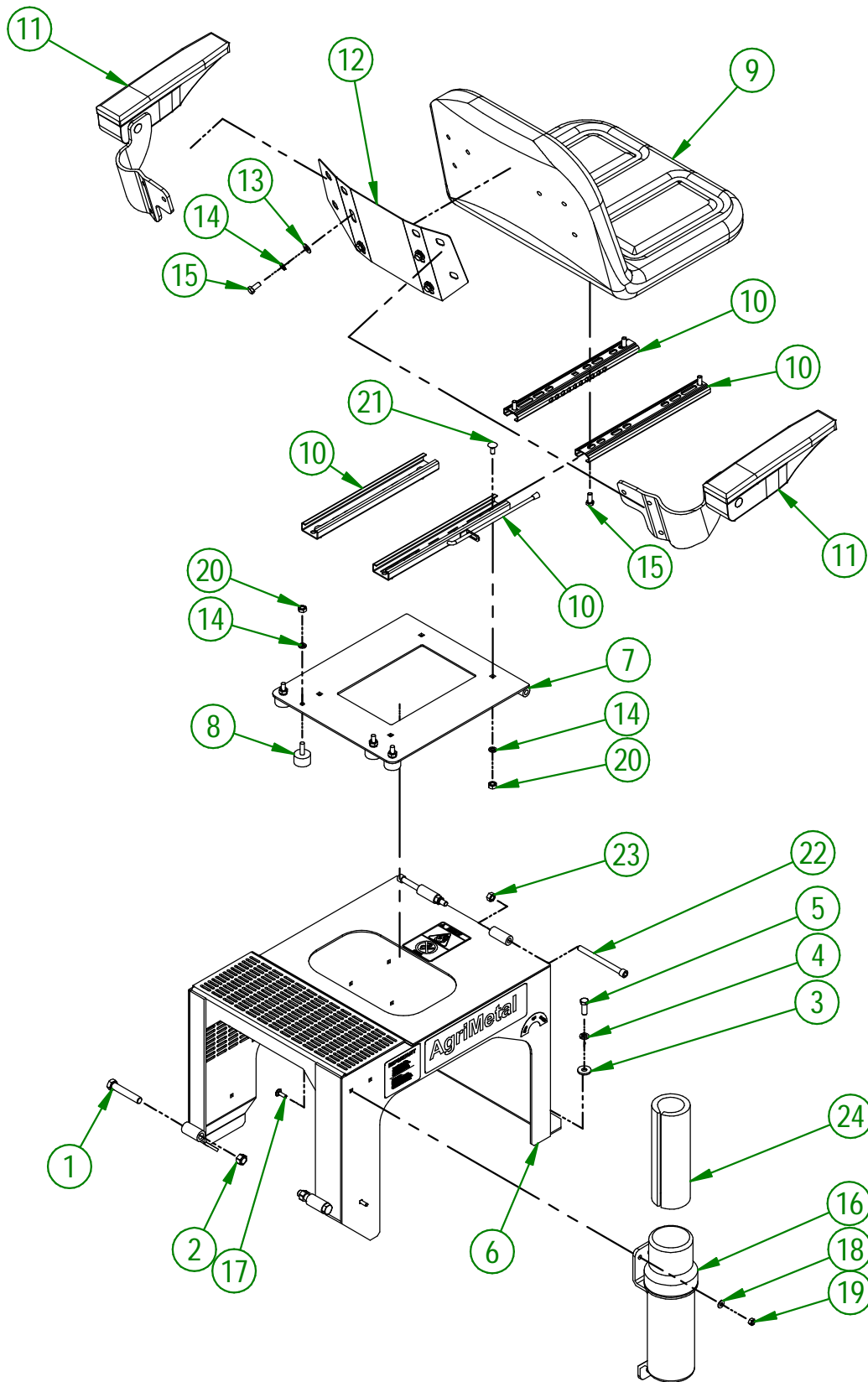
AGRIMETAL
ENGINE COVER GROUP

CREATION : 02/03/23
REVISION : 02/03/23

ASSEMBLY : **39-57-0543**
AUTHOR : D. CHASSÉ

39-57-0543

| # | PART # | Qty | TITLE |
|----|--------------|-----|--|
| 1 | NC01-17-0254 | 2 | HEX. BOLT GR2 ZINC 1/2-13 X 2 1/2" |
| 2 | NC01-96-0014 | 2 | NYLON-INSERT LOCKNUT ZINC 1/2-13 |
| 3 | 21-01-0950 | 2 | FLAT WASHER 10GA 1.005" DIA X 25/64" |
| 4 | NC02-32-0012 | 2 | LOCK WASHER ZINC 3/8" |
| 5 | NC01-17-0114 | 2 | HEX. BOLT GR2 ZINC 3/8-16 X 1" |
| 6 | 39-57-0010 | 1 | ENGINE COVER |
| 7 | 39-50-0115 | 1 | SEAT FOLDER HOLDER |
| 8 | NC13-15-0034 | 4 | RUBBER ABSORBER |
| 9 | NC13-80-0200 | 1 | SEAT |
| 10 | NC13-80-0201 | 1 | SET OF SEAT RAIL |
| 11 | NC13-80-0295 | 1 | ARMRESTS |
| 12 | 39-01-0400 | 1 | BACK REST SEAT REINFORCEMENT |
| 13 | NC13-30-0237 | 1 | PLASTIC TUBE FOR OPERATOR'S MANUAL |
| 14 | NC01-04-0003 | 3 | CARR. BOLT GR2 ZINC 1/4-20 X 3/4" |
| 15 | NC02-25-0007 | 3 | WASHER ZINC 0.281 = 9/32 |
| 16 | NC01-96-0009 | 3 | NYLON-INSERT LOCKNUT ZINC 1/4-20 |
| 17 | NC02-32-0011 | 12 | LOCK WASHER ZINC 5/16" |
| 18 | NC02-07-0017 | 8 | HEX. NUT 5/16-18 |
| 19 | NC01-04-0056 | 4 | CARR. BOLT 5/16-18 X 3/4" |
| 20 | NC02-50-0112 | 2 | HEX. BOLT GR2 ZINC 3/8-16 X 4 1/2" |
| 21 | NC01-96-0011 | 2 | NYLON NUT 3/8-16 |
| 22 | NC01-17-0058 | 8 | HEX. BOLT GR2 ZINC 5/16-18 X 3/4" LG |
| 23 | 39-98-0631 | 1 | OPERATOR'S MANUAL |
| 24 | 01-01-2485 | 4 | FLAT WASHER 14 GA X 13/16"OD X 25/64" ID |



USE THESE PIECES ONLY IF YOUR SERIAL NUMBER IS AFFECTED:

#43771 AND UP

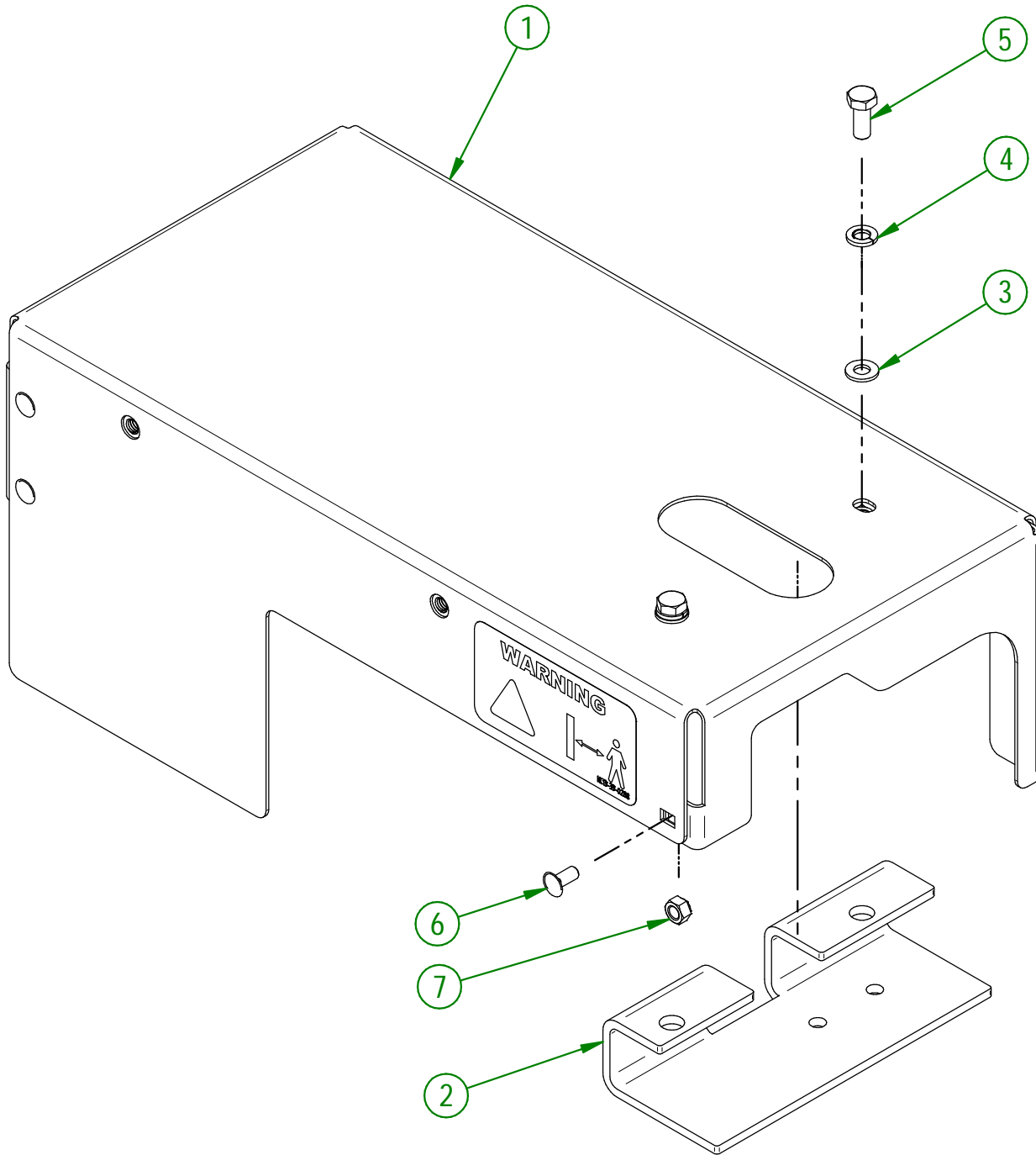
| | |
|---------------------------|------------------------------|
| AGRIMETAL | |
| ENGINE COVER GROUP | |
| CREATION : 01/03/23 | ASSEMBLY : 39-57-0544 |
| REVISION : 06/03/23 | AUTHOR : D. CHASSÉ |

39-57-0544

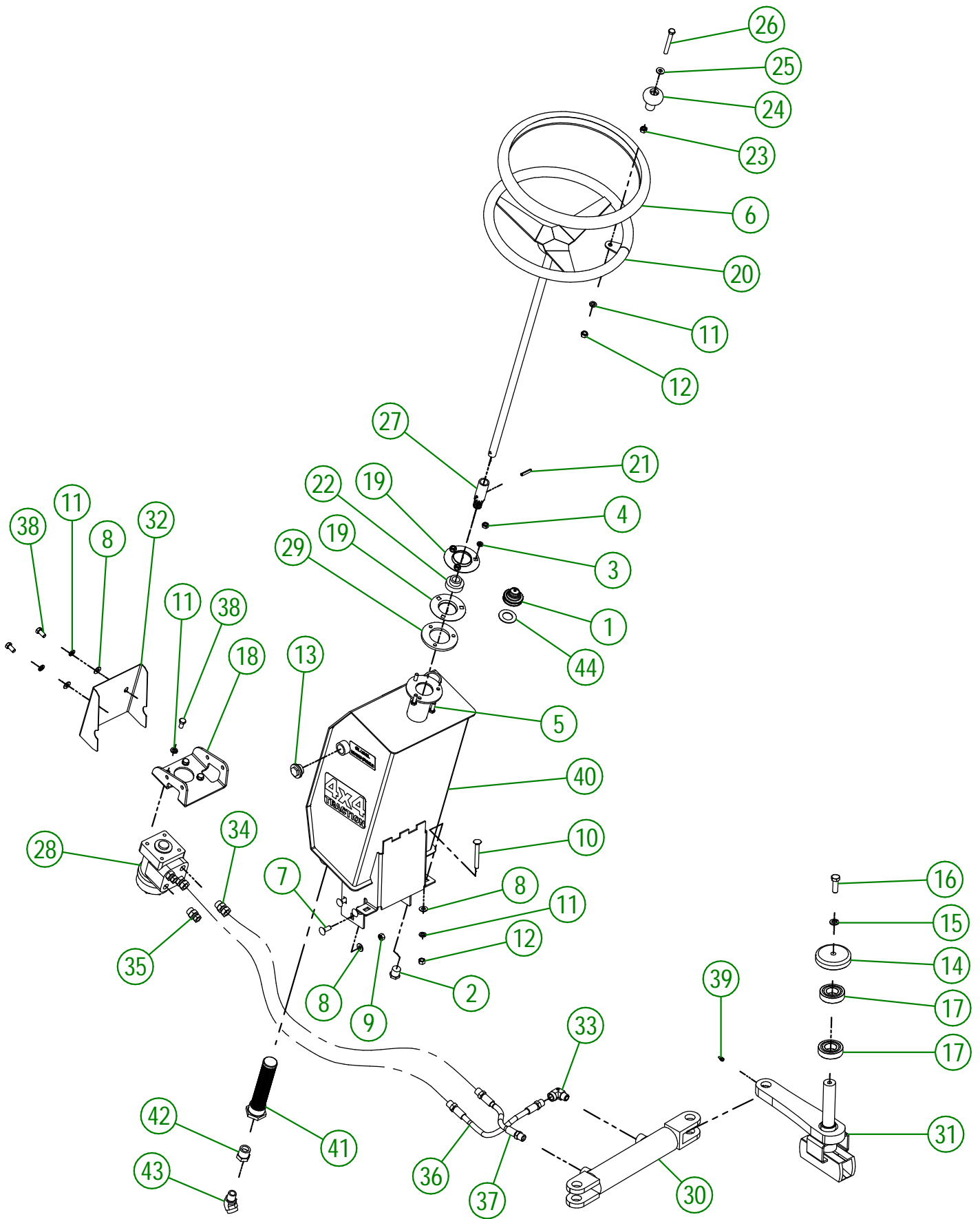
| # | PART # | Qty | TITLE |
|----|--------------|-----|--|
| 1 | NC01-17-0254 | 2 | HEX. BOLT GR2 ZINC 1/2-13 X 2 1/2" |
| 2 | NC01-96-0014 | 2 | NYLON-INSERT LOCKNUT ZINC 1/2-13 |
| 3 | 21-01-0950 | 2 | FLAT WASHER 10GA 1.005" DIA X 25/64" |
| 4 | NC02-32-0012 | 2 | LOCK WASHER ZINC 3/8" |
| 5 | NC01-17-0114 | 2 | HEX. BOLT GR2 ZINC 3/8-16 X 1" |
| 6 | 39-57-0011 | 1 | ENGINE COVER |
| 7 | 39-50-0115 | 1 | SEAT FOLDER HOLDER |
| 8 | NC13-15-0034 | 4 | RUBBER ABSORBER |
| 9 | NC13-80-0200 | 1 | SEAT |
| 10 | NC13-80-0201 | 1 | SET OF SEAT RAIL |
| 11 | NC13-80-0295 | 1 | ARMRESTS |
| 12 | 39-01-0400 | 1 | BACK REST SEAT REINFORCEMENT |
| 13 | 01-01-2485 | 4 | FLAT WASHER 14 GA X 13/16"OD X 25/64" ID |
| 14 | NC02-32-0011 | 12 | LOCK WASHER ZINC 5/16" |
| 15 | NC01-17-0058 | 8 | HEX. BOLT GR2 ZINC 5/16-18 X 3/4" LG |
| 16 | NC13-30-0237 | 1 | PLASTIC TUBE FOR OPERATOR'S MANUAL |
| 17 | NC01-04-0003 | 3 | CARR. BOLT GR2 ZINC 1/4-20 X 3/4" |
| 18 | NC02-25-0007 | 3 | WASHER ZINC 0.281 = 9/32 |
| 19 | NC01-96-0009 | 3 | NYLON-INSERT LOCKNUT ZINC 1/4-20 |
| 20 | NC02-07-0017 | 8 | HEX. NUT 5/16-18 |
| 21 | NC01-04-0056 | 4 | CARR. BOLT 5/16-18 X3/4" |
| 22 | NC02-50-0112 | 2 | HEX. BOLT GR2 ZINC 3/8-16 X 4 1/2" |
| 23 | NC01-96-0011 | 2 | NYLON NUT 3/8-16 |
| 24 | 39-98-0631 | 1 | OPERATOR'S MANUAL |

39-57-5015

| # | PART # | Qty | TITLE |
|---|--------------|-----|--------------------------------------|
| 1 | 39-57-5010 | 1 | HYDROLISTATIC PUMP GUARD |
| 2 | 39-50-5005 | 1 | HYDROLISTATIC PUMP GUARD SUPPORT |
| 3 | NC02-22-0008 | 2 | WASHER ZINC 5/16" |
| 4 | NC02-32-0011 | 2 | LOCK WASHER ZINC 5/16" |
| 5 | NC01-17-0058 | 2 | HEX. BOLT GR2 ZINC 5/16-18 X 3/4" LG |
| 6 | NC01-04-0001 | 5 | CARR. BOLT GR2 ZINC 1/4-20 X 1/2" |
| 7 | NC01-96-0009 | 5 | NYLON-INSERT LOCKNUT ZINC 1/4-20 |



| | |
|---------------------------------|------------------------------|
| AGRIMETAL | |
| HYDROLISTATIC PUMP GUARD | |
| CREATION : 08/09/22 | ASSEMBLY : 39-57-5015 |
| REVISION : 06/03/23 | AUTHOR : D. CHASSÉ |



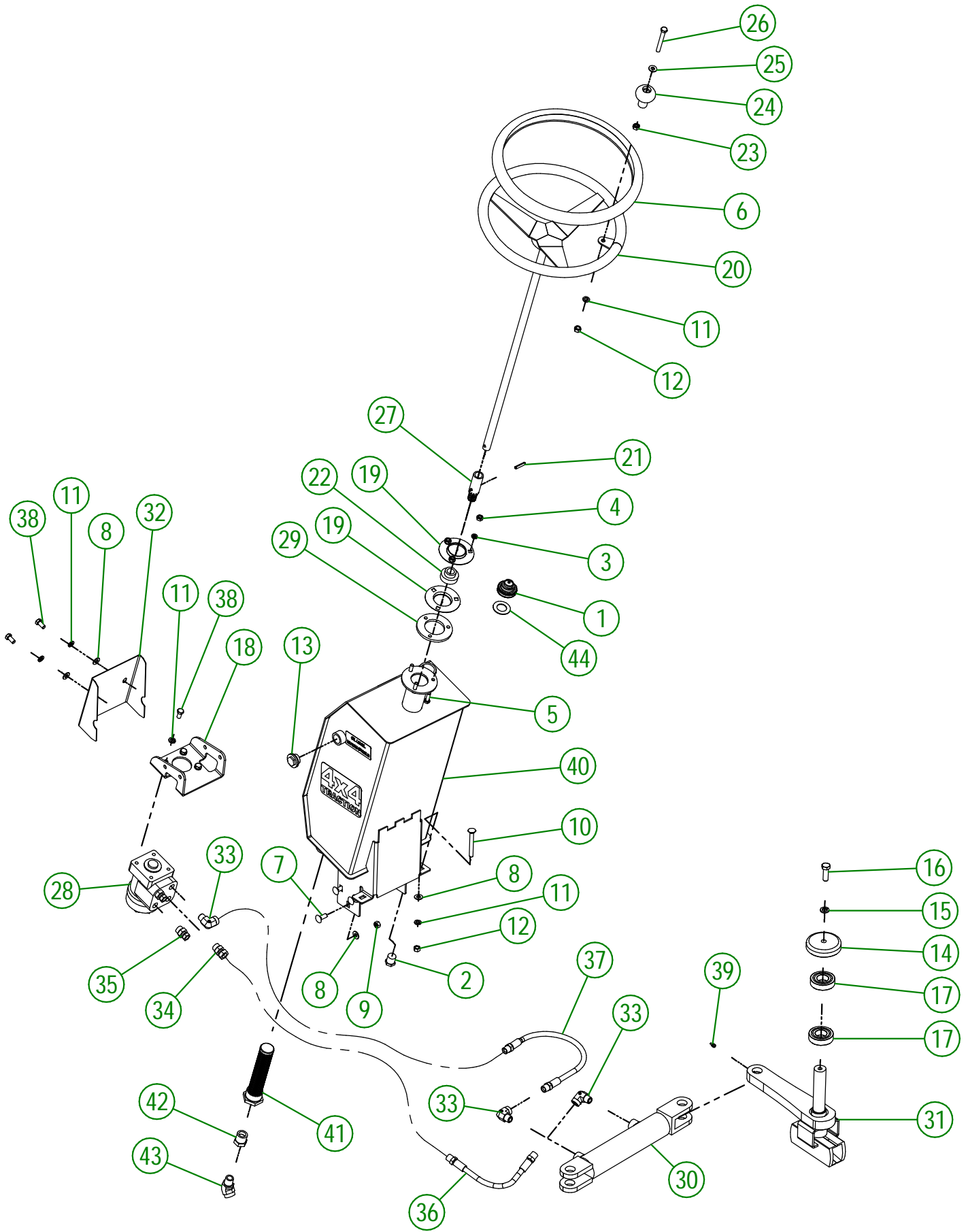
USE THESE PIECES ONLY IF YOUR SERIAL NUMBER IS AFFECTED:

#43770 AND UNDER

| | |
|------------------------------|------------------------------|
| AGRIMETAL | |
| STEERING SYSTEM GROUP | |
| CREATION : 10/02/22 | ASSEMBLY : 39-57-0547 |
| REVISION : 10/03/23 | AUTHOR : J. Houle |

39-57-0547

| # | PART # | Qty | TITLE |
|----|--------------|-----|---|
| 1 | NC13-37-0121 | 1 | TANK CAP |
| 2 | NC13-45-0015 | 1 | HEX. CAP 1/2 NPTF MALE |
| 3 | NC02-32-0011 | 3 | LOCK WASHER ZINC 5/16" |
| 4 | NC02-07-0017 | 3 | HEX. NUT 5/16-18 |
| 5 | NC01-17-0060 | 3 | HEX. BOLT GR2 ZINC 5/16-18 X 1" |
| 6 | NC13-80-0254 | 1 | STEERING WHEEL COVER |
| 7 | NC01-04-0109 | 6 | CARR. BOLT GR2 ZINC 3/8-16 X 1" |
| 8 | 01-01-2485 | 10 | FLAT WASHER 14 GA X 13/16"OD X 25/64" ID |
| 9 | NC01-93-0011 | 6 | LOCK NUT 3/8-16 |
| 10 | NC01-04-0117 | 2 | CARR. BOLT GR2 NC ZINC 3/8-16 X 3" |
| 11 | NC02-32-0012 | 9 | LOCK WASHER ZINC 3/8" |
| 12 | NC02-07-0018 | 3 | HEX. NUT ZINC 3/8-16 |
| 13 | NC01-76-0001 | 1 | SIGHT GLASS 3/4 NPT |
| 14 | 39-21-0000 | 1 | STEERING PLATE SHAFT COVER |
| 15 | NC02-32-0014 | 1 | LOCK WASHER ZINC 1/2" |
| 16 | NC01-17-0249 | 1 | HEX. BOLT GR2 ZINC 1/2-13 X 1 1/2" |
| 17 | NC14-75-0091 | 2 | 6206 ZZ BEARING |
| 18 | 39-04-0195 | 1 | HYDRAULIQUE CONTROL SUPPORT |
| 19 | NC14-75-0008 | 2 | STEEL BEARING ONLY 3 HOLES F4 3 9/16" OD |
| 20 | 39-50-0081 | 1 | STEERING WHEEL |
| 21 | NC01-69-0459 | 1 | ZINC SPRING PIN TENDER DIA. 1/4" X 1 1/4" |
| 22 | NC14-75-0014 | 1 | STEEL BEARING SB 204-12 X 3/4" ID |
| 23 | NC01-96-0011 | 1 | NYLON NUT 3/8-16 |
| 24 | NC17-46-0018 | 1 | HANDLE KNOB |
| 25 | NC17-57-0016 | 1 | FLAT WASHER 14 GA X 13/16"OD X 25/64" ID |
| 26 | NC01-17-0122 | 1 | HEX. BOLT GR2 ZINC 3/8-16 X 3" |
| 27 | 39-20-0005 | 1 | STEERING SHAFT ADAPTER |
| 28 | NC14-45-0151 | 1 | HYDRAULIC STEERING ASSIST |
| 29 | 39-04-0275 | 1 | STEERING SHAFT BEARING SUPPORT |
| 30 | NC13-45-0370 | 1 | HYDRAULIC CYLINDER 6" |
| 31 | 39-50-0571 | 1 | STEERING PLATE |
| 32 | 39-01-0080 | 1 | STEERING SHAFT GUARD |
| 33 | NC13-45-0038 | 1 | ELBOW 90 3/8 FEM. NPT X 3/8 MALE NPT |
| 34 | NC13-45-0036 | 2 | STRAIGHT REDUCER 3/4-16 MALE SAE8 O RING X 1/4 FEMALE |
| 35 | NC13-45-0204 | 2 | STRAIGHT REDUCER 3/4-16 MALE SAE8 O RING X 1/4 FEMALE |
| 36 | NC17-02-0422 | 1 | HYDRAULIC HOSE (13" LG) |
| 37 | NC17-02-0421 | 1 | HYDRAULIC HOSE (10" LG) |
| 38 | NC01-17-0112 | 6 | HEX. BOLT GR2 ZINC 3/8-16 X 3/4" |
| 39 | NC01-69-0785 | 1 | STRAIGHT GREASE FITTING 1/4-28 |
| 40 | 39-57-0142 | 1 | OIL TANK |
| 41 | NC13-45-0381 | 1 | TANK STRAINER |
| 42 | NC13-45-0032 | 1 | STRAIGHT HOSE FITTING 1/2 FEM. NPT X 3/4 MALE NPT |
| 43 | NC13-45-0086 | 1 | ELBOW 45 1/2 FEM. NPT X 1/2 MALE NPT |
| 44 | NC13-15-0352 | 1 | RUBBER FLAT WASHER |



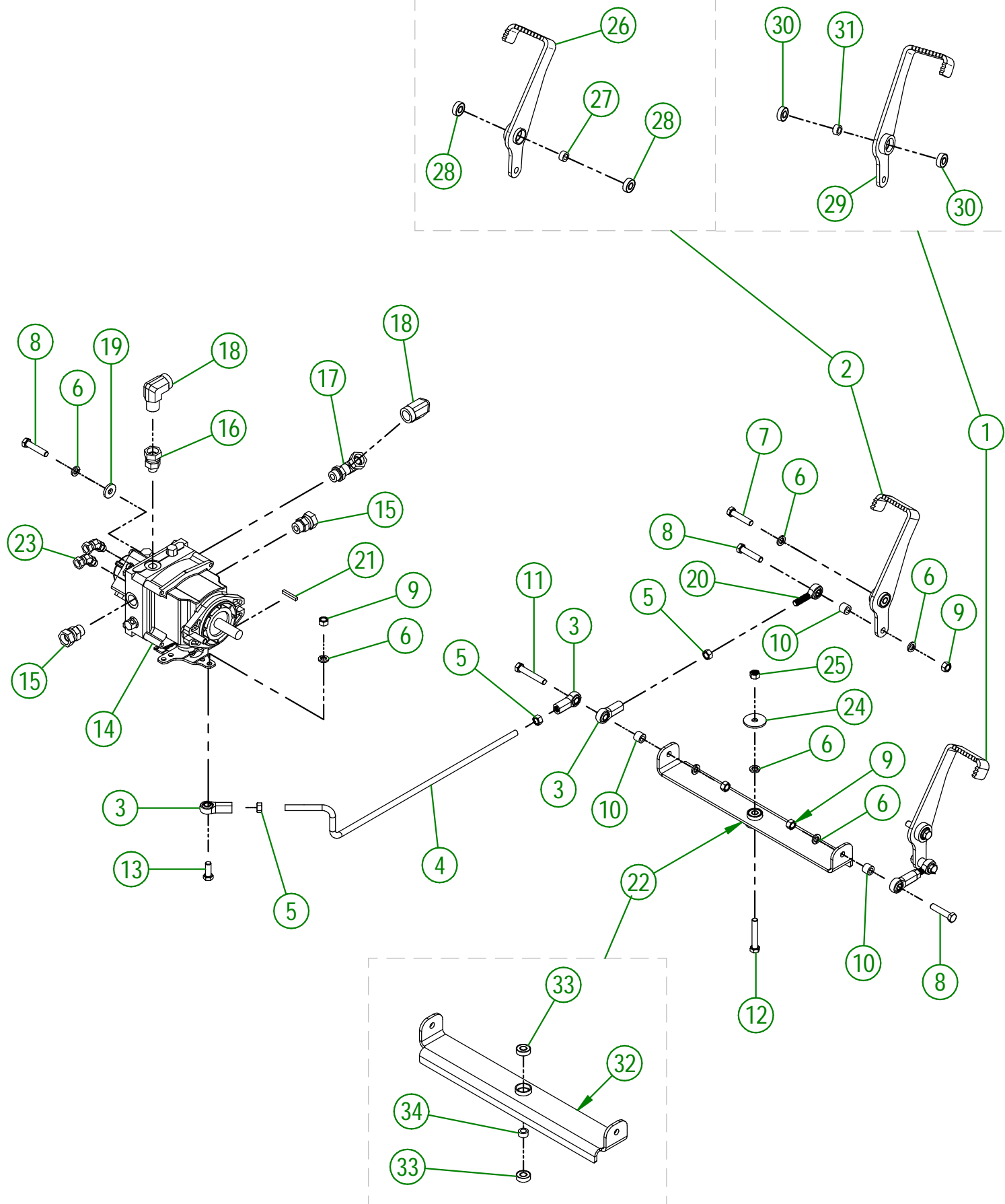
USE THESE PIECES ONLY IF YOUR SERIAL NUMBER IS AFFECTED:

#43771 AND ABOVE

| | |
|------------------------------|------------------------------|
| AGRIMETAL | |
| STEERING SYSTEM GROUP | |
| CREATION : 10/03/23 | ASSEMBLY : 39-57-0548 |
| REVISION : 10/03/23 | AUTHOR : J. Houle |

39-57-0548

| # | PART # | Qty | TITLE |
|----|--------------|-----|---|
| 1 | NC13-37-0121 | 1 | TANK CAP |
| 2 | NC13-45-0015 | 1 | HEX. CAP 1/2 NPTF MALE |
| 3 | NC02-32-0011 | 3 | LOCK WASHER ZINC 5/16" |
| 4 | NC02-07-0017 | 3 | HEX. NUT 5/16-18 |
| 5 | NC01-17-0060 | 3 | HEX. BOLT GR2 ZINC 5/16-18 X 1" |
| 6 | NC13-80-0254 | 1 | STEERING WHEEL COVER |
| 7 | NC01-04-0109 | 6 | CARR. BOLT GR2 ZINC 3/8-16 X 1" |
| 8 | 01-01-2485 | 10 | FLAT WASHER 14 GA X 13/16"OD X 25/64" ID |
| 9 | NC01-93-0011 | 6 | LOCK NUT 3/8-16 |
| 10 | NC01-04-0117 | 2 | CARR. BOLT GR2 NC ZINC 3/8-16 X 3" |
| 11 | NC02-32-0012 | 9 | LOCK WASHER ZINC 3/8" |
| 12 | NC02-07-0018 | 3 | HEX. NUT ZINC 3/8-16 |
| 13 | NC01-76-0001 | 1 | SIGHT GLASS 3/4 NPT |
| 14 | 39-21-0000 | 1 | STEERING PLATE SHAFT COVER |
| 15 | NC02-32-0014 | 1 | LOCK WASHER ZINC 1/2" |
| 16 | NC01-17-0249 | 1 | HEX. BOLT GR2 ZINC 1/2-13 X 1 1/2" |
| 17 | NC14-75-0091 | 2 | 6206 ZZ BEARING |
| 18 | 39-04-0195 | 1 | HYDRAULIQUE CONTROL SUPPORT |
| 19 | NC14-75-0008 | 2 | STEEL BEARING ONLY 3 HOLES F4 3 9/16" OD |
| 20 | 39-50-0081 | 1 | STEERING WHEEL |
| 21 | NC01-69-0459 | 1 | ZINC SPRING PIN TENDER DIA. 1/4" X 1 1/4" |
| 22 | NC14-75-0014 | 1 | STEEL BEARING SB 204-12 X 3/4" ID |
| 23 | NC01-96-0011 | 1 | NYLON NUT 3/8-16 |
| 24 | NC17-46-0018 | 1 | HANDLE KNOB |
| 25 | NC17-57-0016 | 1 | FLAT WASHER 14 GA X 13/16"OD X 25/64" ID |
| 26 | NC01-17-0122 | 1 | HEX. BOLT GR2 ZINC 3/8-16 X 3" |
| 27 | 39-20-0005 | 1 | STEERING SHAFT ADAPTER |
| 28 | NC14-45-0151 | 1 | HYDRAULIC STEERING ASSIST |
| 29 | 39-04-0275 | 1 | STEERING SHAFT BEARING SUPPORT |
| 30 | NC13-45-0370 | 1 | HYDRAULIC CYLINDER 6" |
| 31 | 39-50-0571 | 1 | STEERING PLATE |
| 32 | 39-01-0080 | 1 | STEERING SHAFT GUARD |
| 33 | NC13-45-0038 | 3 | ELBOW 90 3/8 FEM. NPT X 3/8 MALE NPT |
| 34 | NC13-45-0036 | 1 | STRAIGHT REDUCER 3/4-16 MALE SAE8 O RING X 1/4 FEMALE |
| 35 | NC13-45-0204 | 2 | STRAIGHT REDUCER 3/4-16 MALE SAE8 O RING X 1/4 FEMALE |
| 36 | NC17-02-0422 | 1 | HYDRAULIC HOSE (13" LG) |
| 37 | NC17-02-0421 | 1 | HYDRAULIC HOSE (10" LG) |
| 38 | NC01-17-0112 | 6 | HEX. BOLT GR2 ZINC 3/8-16 X 3/4" |
| 39 | NC01-69-0785 | 1 | STRAIGHT GREASE FITTING 1/4-28 |
| 40 | 39-57-0142 | 1 | OIL TANK |
| 41 | NC13-45-0381 | 1 | TANK STRAINER |
| 42 | NC13-45-0032 | 1 | STRAIGHT HOSE FITTING 1/2 FEM. NPT X 3/4 MALE NPT |
| 43 | NC13-45-0086 | 1 | ELBOW 45 1/2 FEM. NPT X 1/2 MALE NPT |
| 44 | NC13-15-0352 | 1 | RUBBER FLAT WASHER |



USE THESE PIECES ONLY IF YOUR SERIAL NUMBER IS AFFECTED:

#42960 AND UNDER

| | |
|--------------------------|------------------------------|
| AGRIMETAL | |
| HYDROSTATIC SYSTEM GROUP | |
| CREATION : 10/02/22 | ASSEMBLY : 39-57-0099 |
| REVISION : 02/11/22 | AUTHOR : J. Houle |

39-57-0099

| # | PART # | Qty | TITLE |
|----|--------------|-----|--|
| 1 | 39-55-0026 | 1 | RIGHT PEDAL |
| 2 | 39-55-0021 | 1 | LEFT PEDAL |
| 3 | NC01-67-0104 | 4 | INTERNALLY THREADED BALL JOINT ROD ENDS 3/8-24 |
| 4 | 39-13-0401 | 1 | HYDROSTATIC CONTROL ROD |
| 5 | NC02-10-0018 | 4 | NUT 3/8-24 |
| 6 | NC02-32-0012 | 10 | LOCK WASHER ZINC 3/8" |
| 7 | NC01-33-0117 | 2 | CARR. BOLT GR8 ZINC 3/8-16 X 1 3/4" |
| 8 | NC01-17-0117 | 5 | HEX. BOLT GR2 ZINC 3/8-16 X 1 3/4" |
| 9 | NC02-07-0018 | 5 | HEX. NUT ZINC 3/8-16 |
| 10 | 39-09-0050 | 4 | PEDAL SYSTEM BUSHING |
| 11 | NC01-17-0119 | 1 | HEX. BOLT GR2 ZINC 3/8-16 X 2 1/4" |
| 12 | NC01-37-0119 | 1 | CARR. BOLT GR8 ZINC 3/8-24 X 2 1/4" |
| 13 | NC01-17-0114 | 1 | HEX. BOLT GR2 ZINC 3/8-16 X 1" |
| 14 | NC14-45-0153 | 1 | HYDROSTATIC MOTOR |
| 15 | NC13-45-0106 | 2 | STRAIGHT REDUCER 3/4-16 MALE SAE8 O RING X 1/2 FEMALE |
| 16 | NC13-45-0220 | 1 | STRAIGHT 9/16 MALE ORING X 1/2 FEMALE NPT |
| 17 | NC13-45-0203 | 1 | ELBOW 90° 3/4 MALE ORING X 1/2 FEMALE NPT |
| 18 | NC13-45-0025 | 2 | ELBOW 90° 1/2 FEMALE NPT X 1/2 MALE NPT |
| 19 | 21-01-0950 | 2 | FLAT WASHER IOGA 1.005" DIA X 25/64" |
| 20 | NC01-67-0304 | 2 | BALL JOINTS ROD ENDS 3/8-24 |
| 21 | 01-41-0905 | 1 | SQUARE KEY 3/16" X 1 1/4"TL |
| 22 | 39-55-0046 | 1 | PEDAL JUNCTION ARM |
| 23 | NC13-45-0372 | 2 | FITTING 45° 7/16-20 MALE O RING SAE4 X 1/4 FEM. TOUR.NPT |
| 24 | 01-33-0010 | 1 | WASHER |
| 25 | NC01-94-0011 | 1 | LOCK NUT 3/8-24 |

39-55-0021

| # | PART # | Qty | TITLE |
|----|--------------|-----|--|
| 26 | 39-50-0111 | 1 | LEFT PEDAL |
| 27 | 01-09-0005 | 1 | BUSHING |
| 28 | NC14-75-0153 | 2 | BALL BEARING R6 2RS 3/8" X 7/8" X 0.281" |

39-55-0026

| # | PART # | Qty | TITLE |
|----|--------------|-----|--|
| 29 | 39-50-0106 | 1 | RIGHT PEDAL |
| 30 | NC14-75-0153 | 2 | BALL BEARING R6 2RS 3/8" X 7/8" X 0.281" |
| 31 | 01-09-0005 | 1 | BUSHING |

39-55-0046

| # | PART # | Qty | TITLE |
|----|--------------|-----|--|
| 32 | 39-50-0041 | 1 | PEDALS UNION |
| 33 | NC14-75-0153 | 2 | BALL BEARING R6 2RS 3/8" X 7/8" X 0.281" |
| 34 | 01-09-0005 | 1 | BUSHING |

39-57-0400

| # | PART # | Qty | TITLE |
|----|--------------|-----|--|
| 1 | 39-55-0026 | 1 | RIGHT PEDAL |
| 2 | 39-55-0021 | 1 | LEFT PEDAL |
| 3 | NC01-67-0104 | 4 | INTERNALLY THREADED BALL JOINT ROD ENDS 3/8-24 |
| 4 | 39-13-0401 | 1 | HYDROSTATIC CONTROL ROD |
| 5 | NC02-10-0018 | 4 | NUT 3/8-24 |
| 6 | NC02-32-0012 | 9 | LOCK WASHER ZINC 3/8" |
| 7 | NC01-33-0117 | 2 | CARR. BOLT GR8 ZINC 3/8-16 X 1 3/4" |
| 8 | NC01-17-0117 | 5 | HEX. BOLT GR2 ZINC 3/8-16 X 1 3/4" |
| 9 | NC02-07-0018 | 5 | HEX. NUT ZINC 3/8-16 |
| 10 | 39-09-0050 | 4 | PEDAL SYSTEM BUSHING |
| 11 | NC01-17-0119 | 1 | HEX. BOLT GR2 ZINC 3/8-16 X 2 1/4" |
| 12 | NC01-17-0114 | 1 | HEX. BOLT GR2 ZINC 3/8-16 X 1" |
| 13 | NC14-45-0153 | 1 | HYDROSTATIC MOTOR |
| 14 | NC13-45-0106 | 2 | STRAIGHT REDUCER 3/4-16 MALE SAE8 O RING X 1/2 FEMALE |
| 15 | NC13-45-0220 | 1 | STRAIGHT 9/16 MALE ORING X 1/2 FEMALE NPT |
| 16 | NC13-45-0203 | 1 | ELBOW 90° 3/4 MALE ORING X 1/2 FEMALE NPT |
| 17 | NC13-45-0025 | 2 | ELBOW 90° 1/2 FEMALE NPT X 1/2 MALE NPT |
| 18 | 21-01-0950 | 2 | FLAT WASHER 10GA 1.005" DIA X 25/64" |
| 19 | NC01-67-0304 | 2 | BALL JOINTS ROD ENDS 3/8-24 |
| 20 | 01-41-0905 | 1 | SQUARE KEY 3/16" X 1 1/4"TL |
| 21 | 39-57-0220 | 1 | PEDAL JUNCTION ARM |
| 22 | NC13-45-0372 | 2 | FITTING 45° 7/16-20 MALE O RING SAE4 X 1/4 FEM. TOUR.NPT |

39-55-0021

| # | PART # | Qty | TITLE |
|----|--------------|-----|--|
| 23 | 39-50-0111 | 1 | LEFT PEDAL |
| 24 | 01-09-0005 | 1 | BUSHING |
| 25 | NC14-75-0153 | 2 | BALL BEARING R6 2RS 3/8" X 7/8" X 0.281" |

39-55-0026

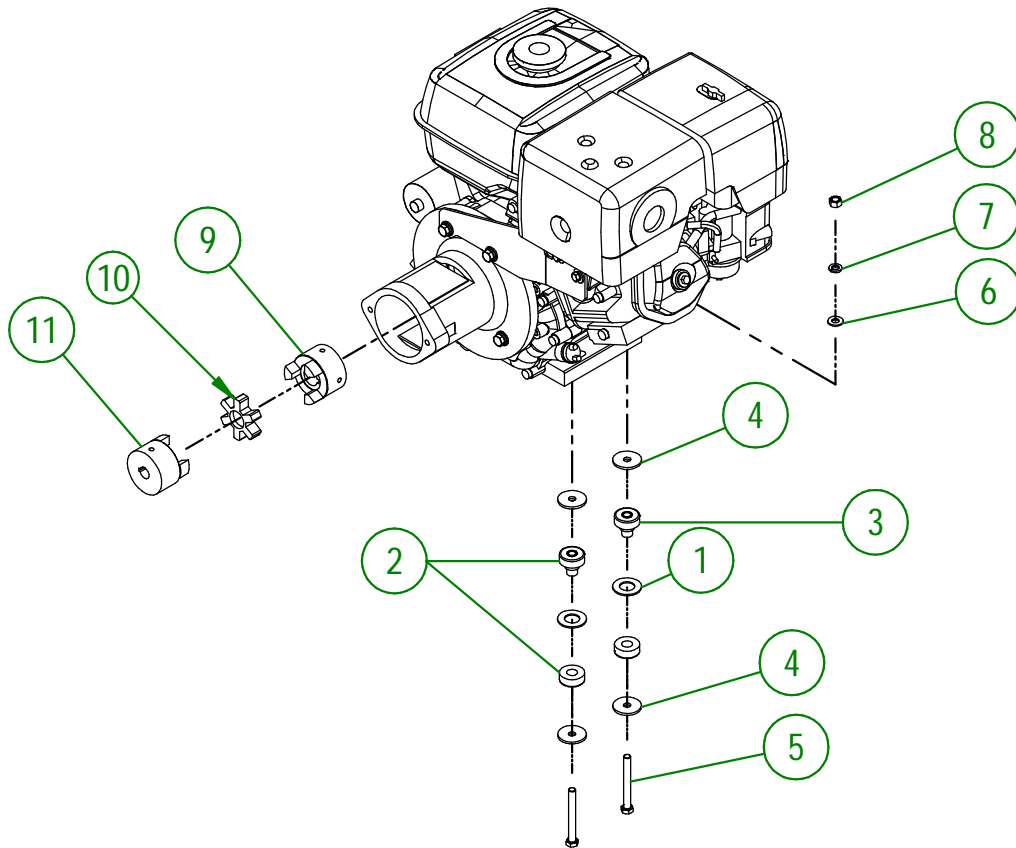
| # | PART # | Qty | TITLE |
|----|--------------|-----|--|
| 26 | 39-50-0106 | 1 | RIGHT PEDAL |
| 27 | NC14-75-0153 | 2 | BALL BEARING R6 2RS 3/8" X 7/8" X 0.281" |
| 28 | 01-09-0005 | 1 | BUSHING |

39-57-0220

| # | PART # | Qty | TITLE |
|----|--------------|-----|--------------------------------------|
| 29 | NC01-37-0119 | 1 | CARR. BOLT GR8 ZINC 3/8-24 X 2 1/4" |
| 30 | 39-50-0042 | 1 | PEDALS UNION |
| 31 | NC14-75-0068 | 2 | BALL BEARING 99502H |
| 32 | 39-13-0200 | 1 | JONCTION ARM PIVOT |
| 33 | 01-33-0010 | 1 | WASHER |
| 34 | NC01-94-0011 | 1 | LOCK NUT 3/8-24 |
| 35 | 21-01-0950 | 1 | FLAT WASHER 10GA 1.005" DIA X 25/64" |

39-57-0116

| # | PART # | Qty | TITLE |
|----|--------------|-----|--|
| 1 | 26-03-4800 | 4 | WASHER |
| 2 | NC13-15-0068 | 2 | GREEN RUBBER BASE MOUNT |
| 3 | NC13-15-0059 | 2 | YELLOW RUBBER BASE MOUNT |
| 4 | 01-33-0010 | 8 | WASHER |
| 5 | NC01-17-0123 | 4 | HEX. BOLT GR2 ZINC 3/8-16 X 3 1/4" |
| 6 | 01-01-2485 | 4 | FLAT WASHER 14 GA X 13/16"OD X 25/64" ID |
| 7 | NC02-32-0012 | 4 | LOCK WASHER ZINC 3/8" |
| 8 | NC02-07-0018 | 4 | HEX. NUT ZINC 3/8-16 |
| 9 | NC14-05-0029 | 1 | COUPLING (LOVEJOY) CXL100 X 1" ID |
| 10 | NC14-05-0030 | 1 | COUPLING (LOVEJOY) RUBBER N100 |
| 11 | 39-46-3500 | 1 | HYDROSTATIC COUPLING HUB |

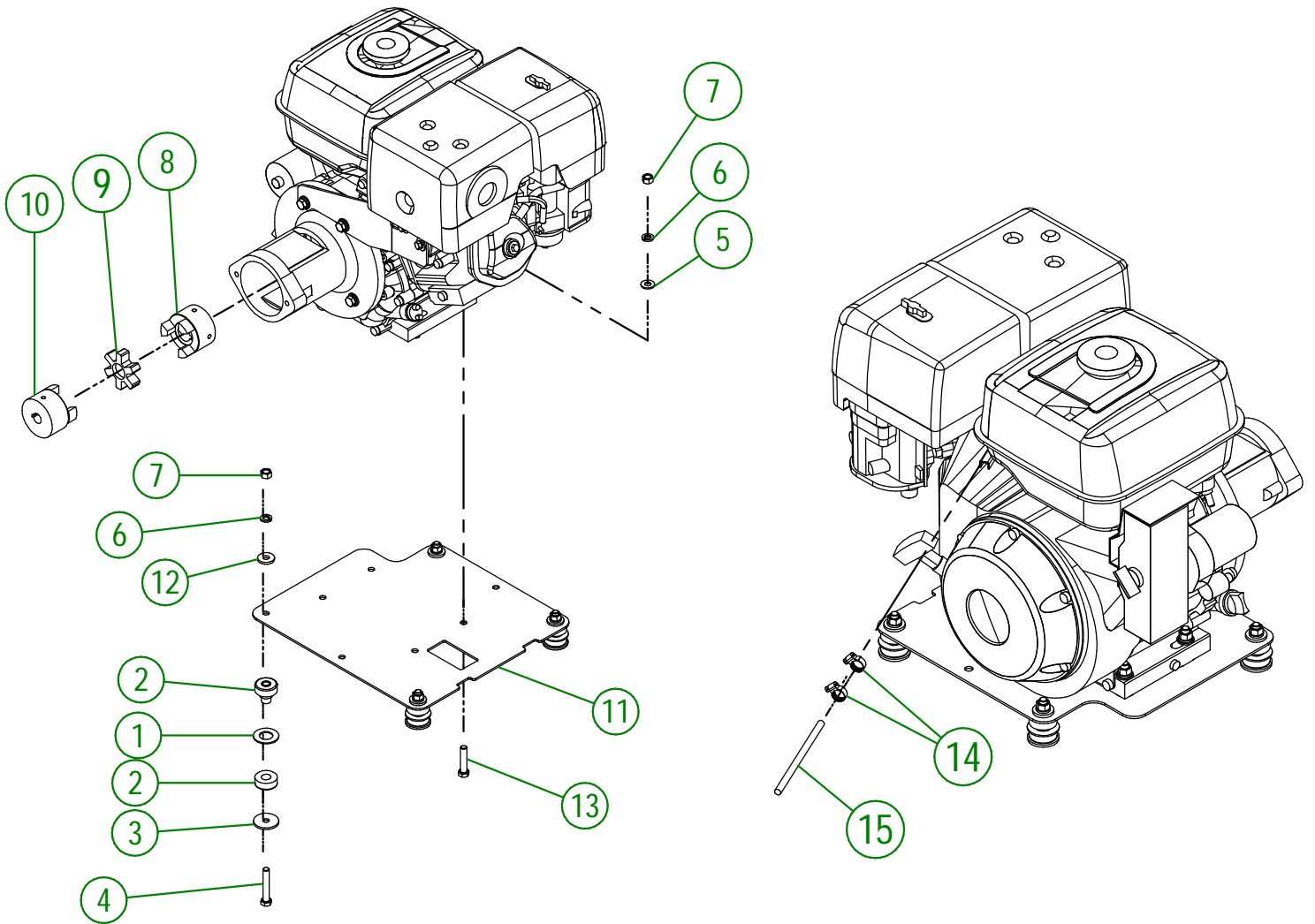


USE THESE PIECES ONLY IF YOUR SERIAL NUMBER IS AFFECTED:

#43770 AND LESS

| | |
|---------------------|------------------------------|
| AGRIMETAL | |
| MOTOR GROUP | |
| CREATION : 21/12/21 | ASSEMBLY : 39-57-0116 |
| REVISION : 02/03/23 | AUTHOR : Dessin1 |

| # | PART # | Qty | TITLE |
|----|--------------|-----|--|
| 1 | 26-03-4800 | 4 | WASHER |
| 2 | NC13-15-0059 | 4 | YELLOW RUBBER BASE MOUNT |
| 3 | 01-33-0010 | 4 | WASHER |
| 4 | NC01-17-0119 | 4 | HEX. BOLT GR2 ZINC 3/8-16 X 2 1/4" |
| 5 | 01-01-2485 | 4 | FLAT WASHER 14 GA X 13/16"OD X 25/64" ID |
| 6 | NC02-32-0012 | 8 | LOCK WASHER ZINC 3/8" |
| 7 | NC02-07-0018 | 8 | HEX. NUT ZINC 3/8-16 |
| 8 | NC14-05-0029 | 1 | COUPLING (LOVEJOY) CXL100 X 1" ID |
| 9 | NC14-05-0030 | 1 | COUPLING (LOVEJOY) RUBBER NI00 |
| 10 | 39-46-3500 | 1 | HYDROSTATIC COUPLING HUB |
| 11 | 39-01-0360 | 1 | MOTOR BASE |
| 12 | 21-01-0950 | 4 | FLAT WASHER 10GA 1.005" DIA X 25/64" |
| 13 | NC01-17-0117 | 4 | HEX. BOLT GR2 ZINC 3/8-16 X 1 3/4" |
| 14 | NC01-65-0053 | 2 | COLLAR (MH4) |
| 15 | 39-42-0605 | 1 | GAS THROTTLE EXTENSION |

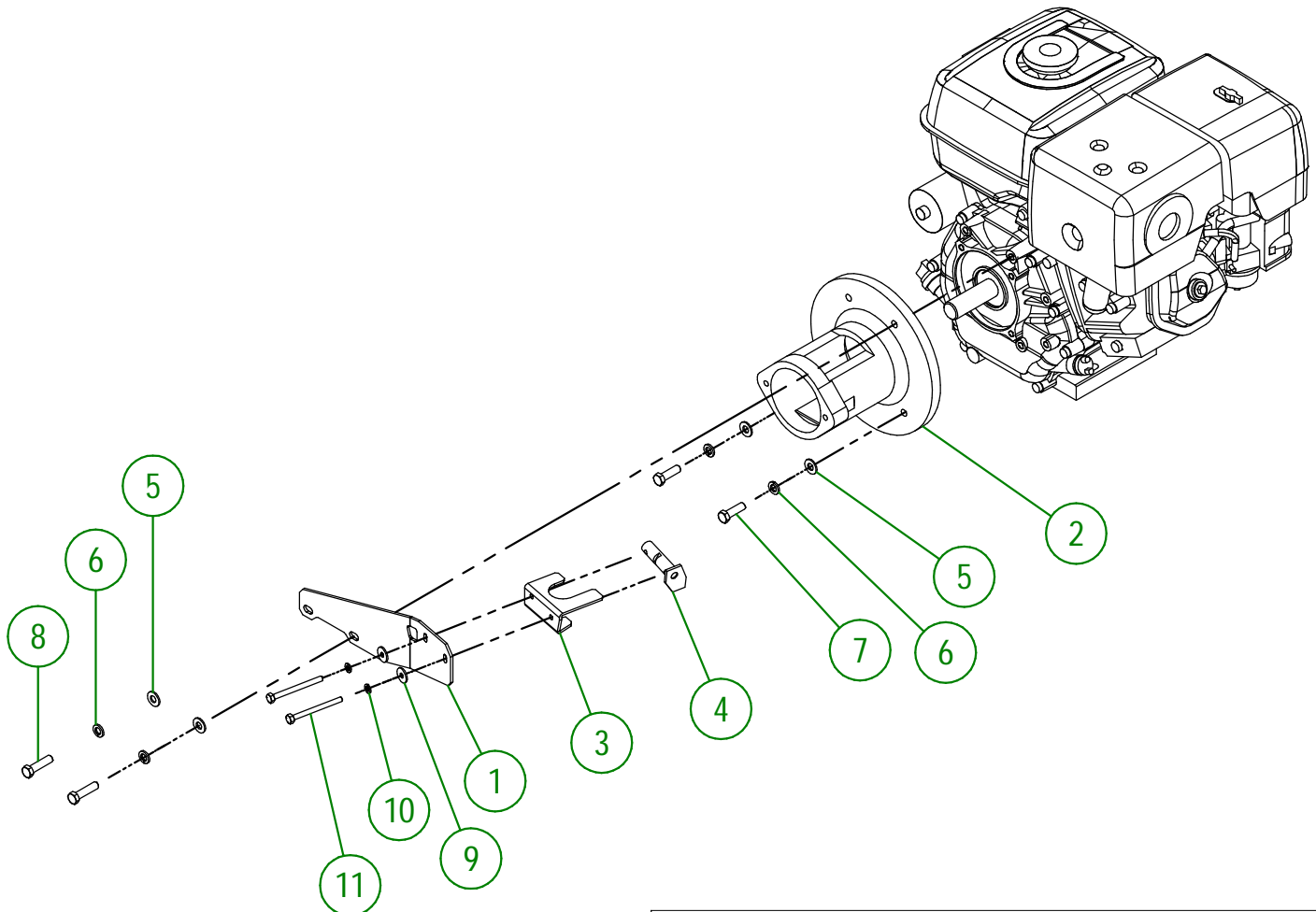


USE THESE PIECES ONLY IF YOUR SERIAL NUMBER IS AFFECTED:

#43771 AND UP

| | |
|---------------------|------------------------------|
| AGRIMETAL | |
| MOTOR GROUP | |
| CREATION : 01/03/23 | ASSEMBLY : 39-57-0118 |
| REVISION : 05/07/24 | AUTHOR : dessin3 |

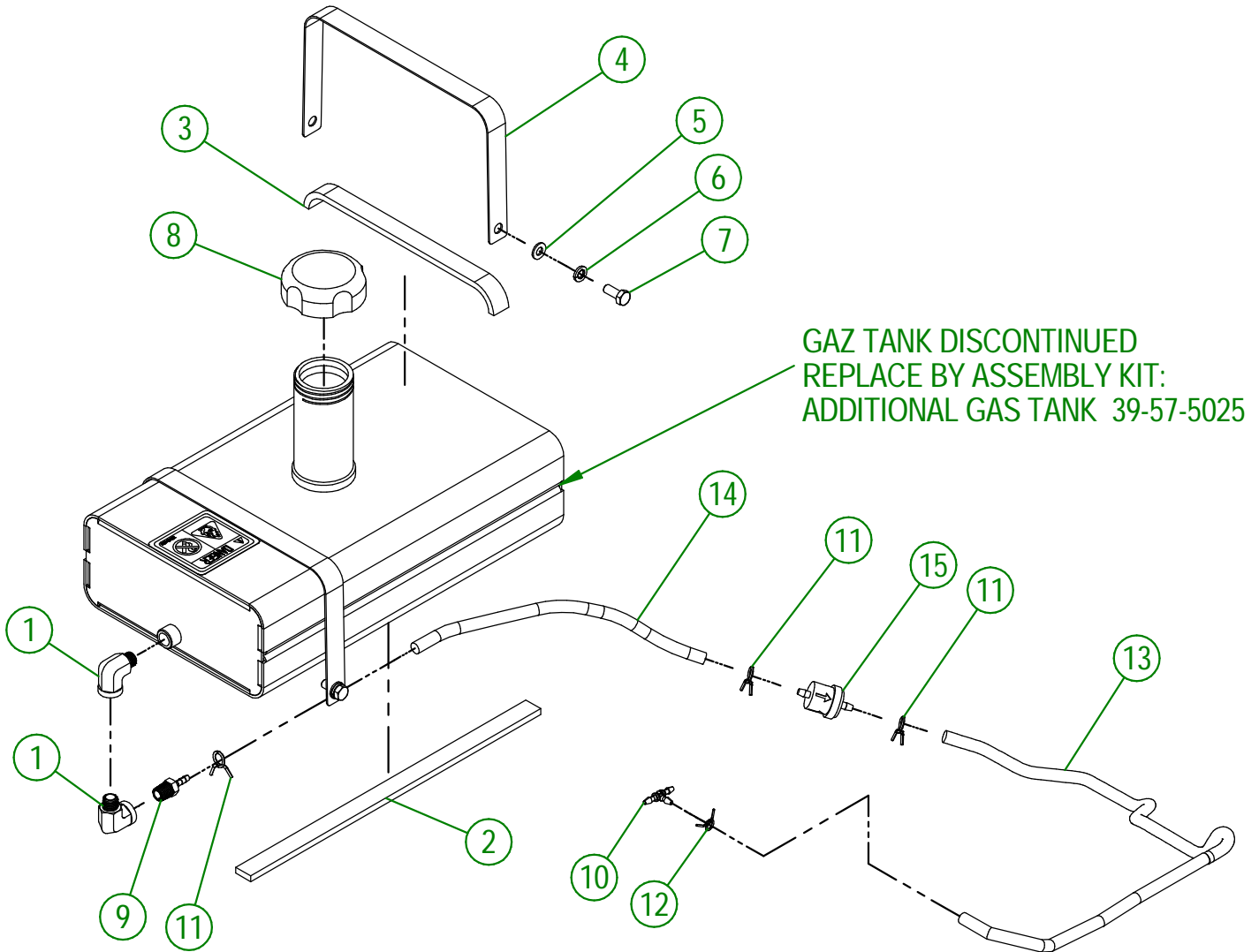
| # | PART # | Qty | TITLE |
|----|--------------|-----|--|
| 1 | 39-01-1090 | 1 | MUFFLER SUPPORT |
| 2 | 39-50-0120 | 1 | FUEL ENGINE ADAPTER FOR HYDROSTATIC PUMP |
| 3 | 39-01-1080 | 1 | MUFFLER SUPPORT |
| 4 | 39-50-0085 | 1 | MUFFLER SUPPORT |
| 5 | 01-01-2485 | 4 | FLAT WASHER 14 GA X 13/16"OD X 25/64" ID |
| 6 | NC02-32-0012 | 4 | LOCK WASHER ZINC 3/8" |
| 7 | NC01-17-0115 | 2 | HEX. BOLT GR2 ZINC 3/8-16 X 1 1/4" |
| 8 | NC01-17-0116 | 2 | HEX. BOLT GR2 ZINC 3/8-16 X 1 1/2" |
| 9 | 36-01-2430 | 2 | WASHER |
| 10 | NC02-32-0010 | 2 | LOCK WASHER ZINC 1/4" |
| 11 | NC01-37-0014 | 2 | HEX. BOLT GR8 ZINC 1/4-28 X 3" |

**AGRIMETAL****HONDA MOTOR WITH STARTER**

CREATION : 21/12/21
 REVISION : 21/12/21

ASSEMBLY : **39-55-0031**
 AUTHOR : Dessin1

| # | PART # | Qty | TITLE |
|----|--------------|-----|---|
| 1 | NC13-45-0142 | 2 | 90° 1/4 FEMELLE NPT X 1/4 MALE NPT |
| 2 | 39-42-0090 | 2 | RUBBER FOAM SEAL TAPE BLACK 1/4" X 3/4" X 14 1/2" LG |
| 3 | 39-42-0095 | 2 | RUBBER FOAM SEAL TAPE BLACK 1/4" X 3/4" X 9 7/8" LG |
| 4 | 39-01-6600 | 2 | GAS TANK STRIP SUPPORT |
| 5 | NC02-22-0008 | 4 | WASHER ZINC 5/16" |
| 6 | NC02-32-0011 | 4 | LOCK WASHER ZINC 5/16" |
| 7 | NC01-17-0058 | 4 | HEX. BOLT GR2 ZINC 5/16-18 X 3/4" LG |
| 8 | NC13-37-0673 | 1 | GAS CAP |
| 9 | NC13-68-0022 | 1 | BRASS BARBED FITTING 3/16" X 1/4" NPT |
| 10 | NC13-68-0032 | 1 | PLASTIC BARBED TEE FITTING TEE CONNECTOR 3/16" (GASOLINE) |
| 11 | NC01-65-0305 | 3 | CONSTANT-TENSION SPRING CLAMPS 7/16" |
| 12 | NC01-65-0304 | 1 | CONSTANT-TENSION SPRING CLAMPS 5/16" |
| 13 | 39-46-0160 | 1 | 1/4" GAS LINE |
| 14 | 39-46-0165 | 1 | 1/4" GAS LINE |
| 15 | NC13-37-0688 | 1 | 3/16 GAS FILTER |



GAZ TANK DISCONTINUED
 REPLACE BY ASSEMBLY KIT:
 ADDITIONAL GAS TANK 39-57-5025

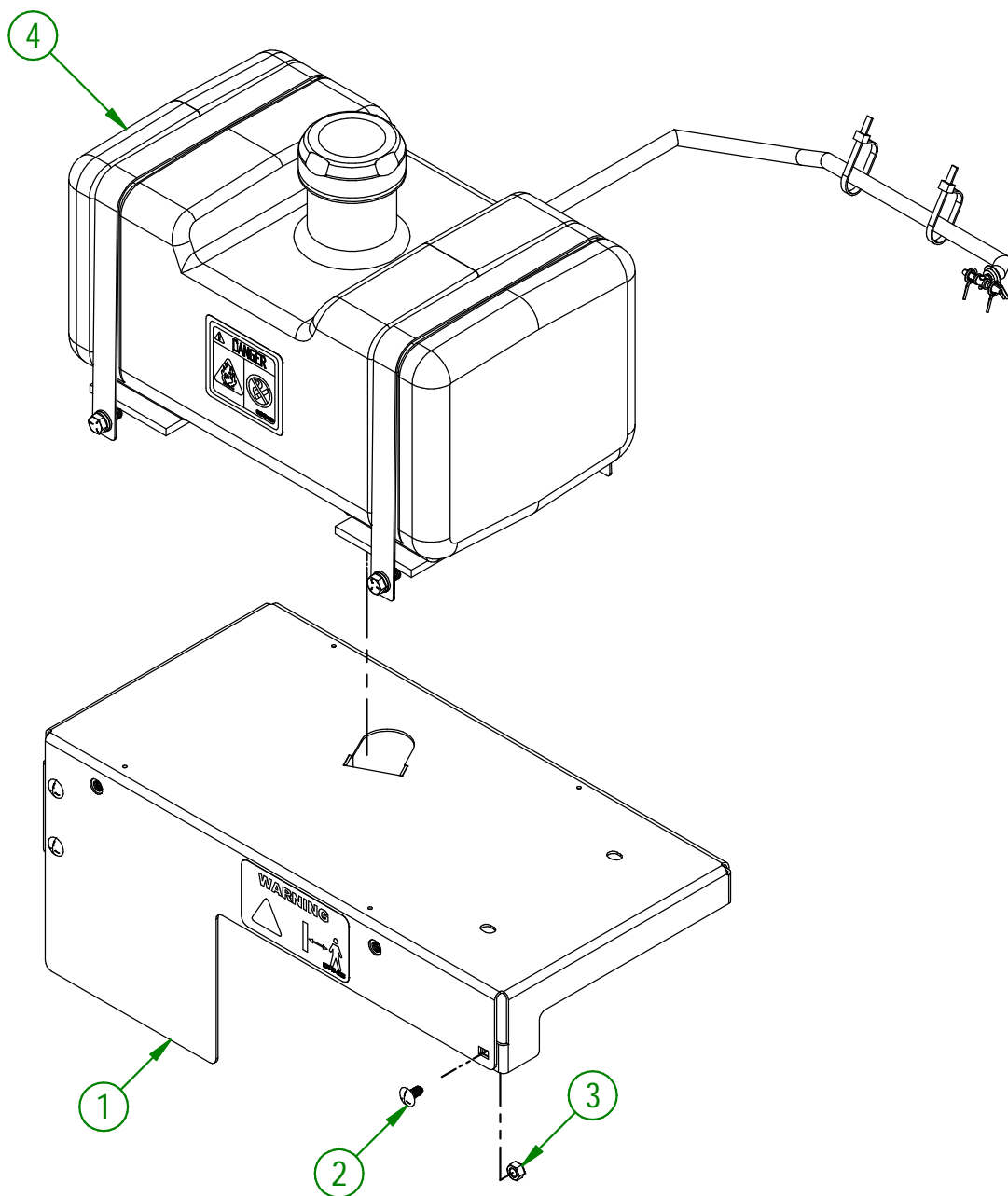
USE THESE PIECES ONLY IF YOUR SERIAL
 NUMBER IS AFFECTED:

#46008 OR LESS

| | |
|--------------------------|------------------------------|
| AGRIMETAL | |
| GAS TANK OPTIONAL | |
| CREATION : 08/09/22 | ASSEMBLY : 39-57-5020 |
| REVISION : 10/07/24 | AUTHOR : D. CHASSÉ |

39-57-5025

| # | PART # | QTY | TITLE |
|---|--------------|-----|----------------------------------|
| 1 | 39-57-5011 | 1 | HYDROSTATIC PUMP GUARD |
| 2 | NC01-07-0001 | 5 | CARR. BOLT GR5 ZINC 1/4-20 X1/2" |
| 3 | NC01-96-0009 | 5 | NYLON-INSERT LOCKNUT ZINC 1/4-20 |
| 4 | 39-57-5022 | 1 | 3 GALLON GAZ TANK |



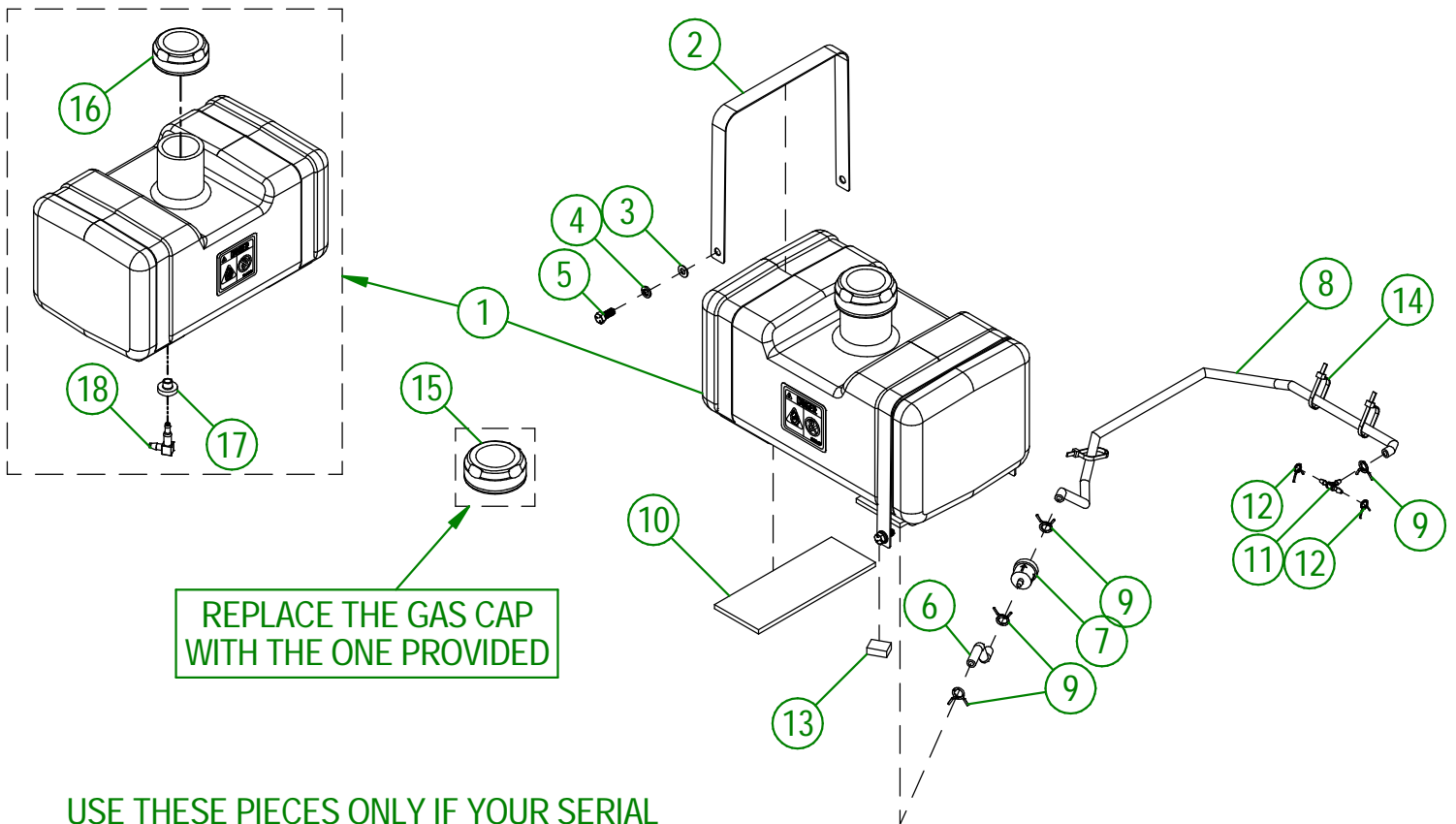
| | |
|---------------------|------------------------------|
| AGRIMETAL | |
| ADDITIONAL GAS TANK | |
| CREATION : 22/01/25 | ASSEMBLY : 39-57-5025 |
| REVISION : 22/01/25 | AUTHOR : D. CHASSÉ |

39-57-5022

| # | PART # | QT | TITLE |
|----|--------------|----|---|
| 1 | 39-57-5008 | 1 | GAZ TANK |
| 2 | 39-01-6605 | 2 | GAS TANK STRIP SUPPORT |
| 3 | NC02-22-0008 | 4 | WASHER ZINC 5/16" |
| 4 | NC02-32-0011 | 4 | LOCK WASHER ZINC 5/16" |
| 5 | NC01-25-0058 | 4 | HEX BOLT GR5 ZINC PLATED 5/16-18 X 3/4" |
| 6 | 39-46-0170 | 1 | GAZ LINE |
| 7 | NC13-37-0688 | 1 | 3/16 GAS FILTER |
| 8 | 39-46-0175 | 1 | GAZ LINE |
| 9 | NC01-65-0305 | 4 | CONSTANT-TENSION SPRING CLAMPS 7/16" |
| 10 | 39-42-0205 | 2 | RUBBER FAOM SEAL TAPE BLACK 1/4" X 3" X 8" |
| 11 | NC13-68-0032 | 1 | PLASTIC BARBED TEE FITTING TEE CONNECTOR 3/16" (GASOLINE) |
| 12 | NC01-65-0304 | 2 | CONSTANT-TENSION SPRING CLAMPS 5/16" |
| 13 | 39-42-0130 | 1 | RUBBER FOAM SEAL TAPE BLACK 3/8" X 3/4" X 1" LG |
| 14 | NC13-25-0019 | 3 | NYLON CABLE TIE |
| 15 | NC13-80-0317 | 1 | GAZ CAP |

39-57-5008

| # | PART # | QT | TITLE |
|----|--------------|----|---------------------------|
| 16 | NC13-80-0317 | 1 | GAZ CAP |
| 17 | NC13-80-0319 | 1 | GROMMET VITRON #468661 |
| 18 | NC13-80-0318 | 1 | 90° ELBOW X 1/4" GAS LINE |



REPLACE THE GAS CAP WITH THE ONE PROVIDED

USE THESE PIECES ONLY IF YOUR SERIAL NUMBER IS AFFECTED:
OR IF YOU HAVE INSTALLED THE KIT 39-57-5025

#46009 ET PLUS

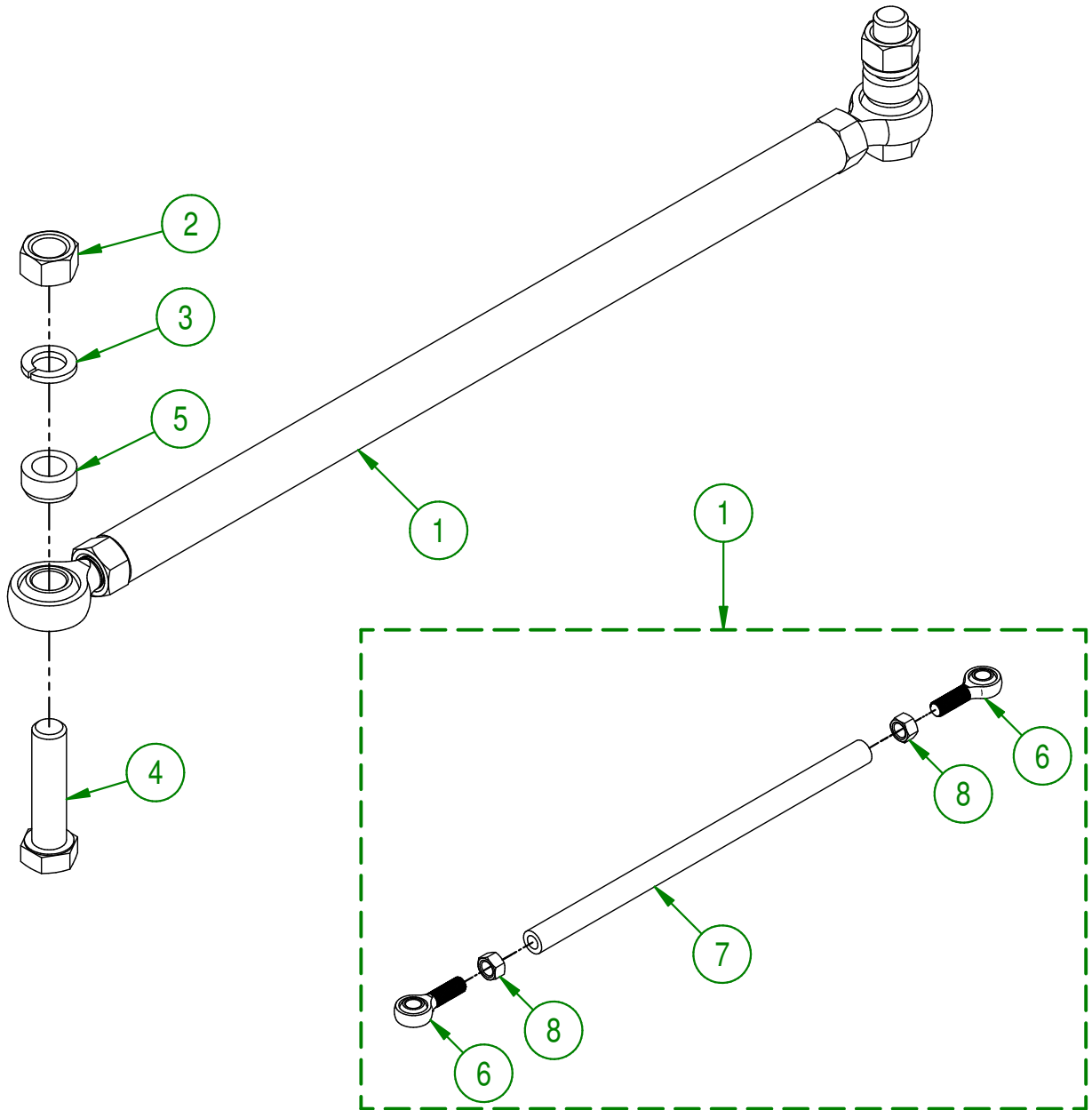
| AGRIMETAL | |
|--------------------------|-----------------------|
| 3 GALLON GAZ TANK OPTION | |
| CREATION : 29/05/24 | ASSEMBLY : 39-57-5022 |
| REVISION : 16/05/25 | AUTHOR : M. HOULE |

39-57-0190

| # | PART # | Qty | TITLE |
|---|--------------|-----|---------------------------------------|
| 1 | 39-55-0700 | 1 | ROLLER ARM |
| 2 | NC02-07-0022 | 2 | HEX. NUT ZINC 5/8-11 |
| 3 | NC02-32-0016 | 2 | LOCK WASHER ZINC 5/8" |
| 4 | NC01-17-0398 | 2 | HEX. BOLT GR2 NC ZINC 5/8-11 X 2 1/2" |
| 5 | 39-21-0055 | 2 | RING |

39-55-0700

| # | PART # | Qty | TITLE |
|---|--------------|-----|---------------------------|
| 6 | NC01-67-0308 | 2 | MAL ROD END THREAD 5/8-18 |
| 7 | 39-21-0060 | 1 | ARM |
| 8 | NC02-10-0022 | 2 | HEX. NUT ZINC 5/8-18 |

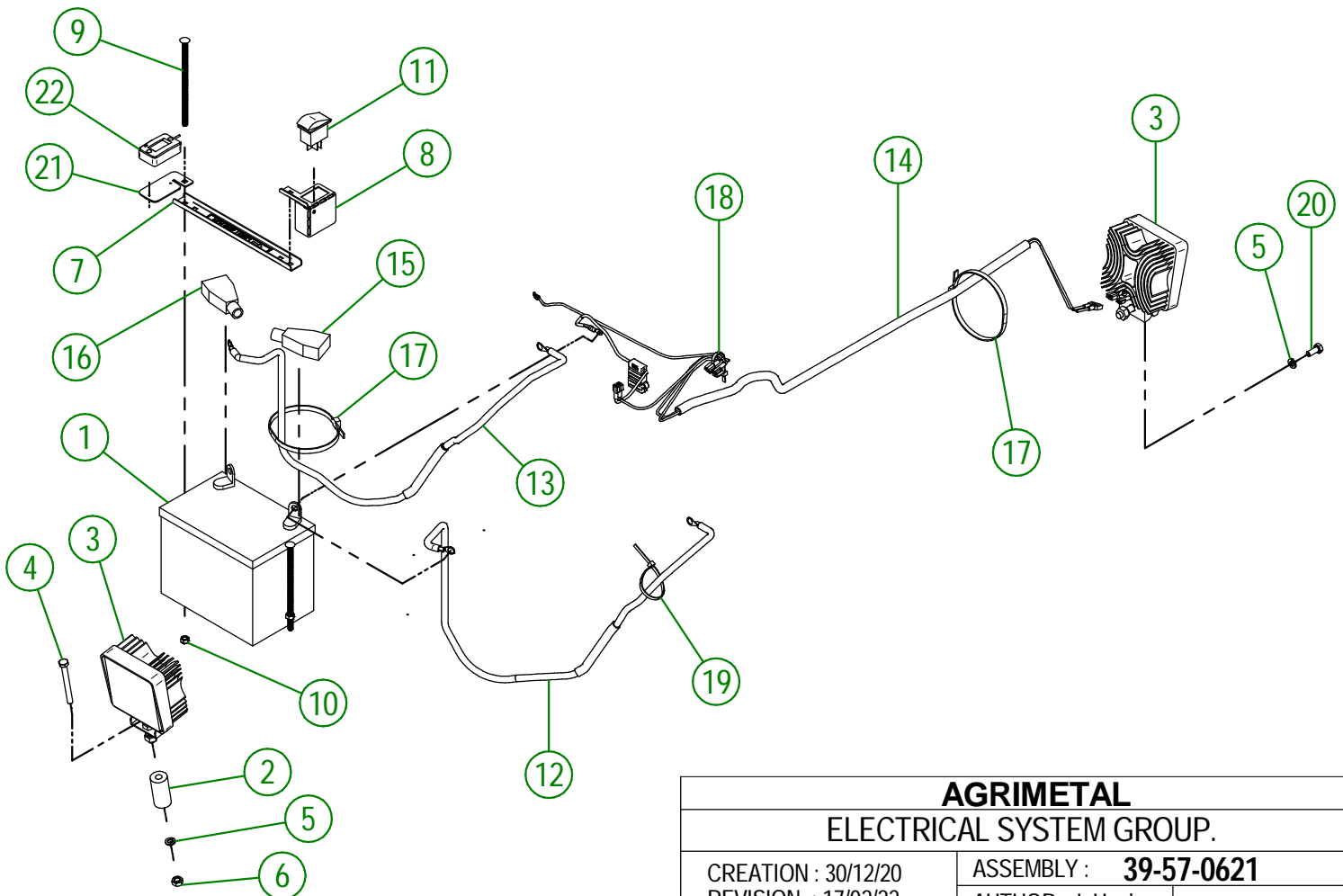


AGRIMETAL
ROLLER ARM GROUP

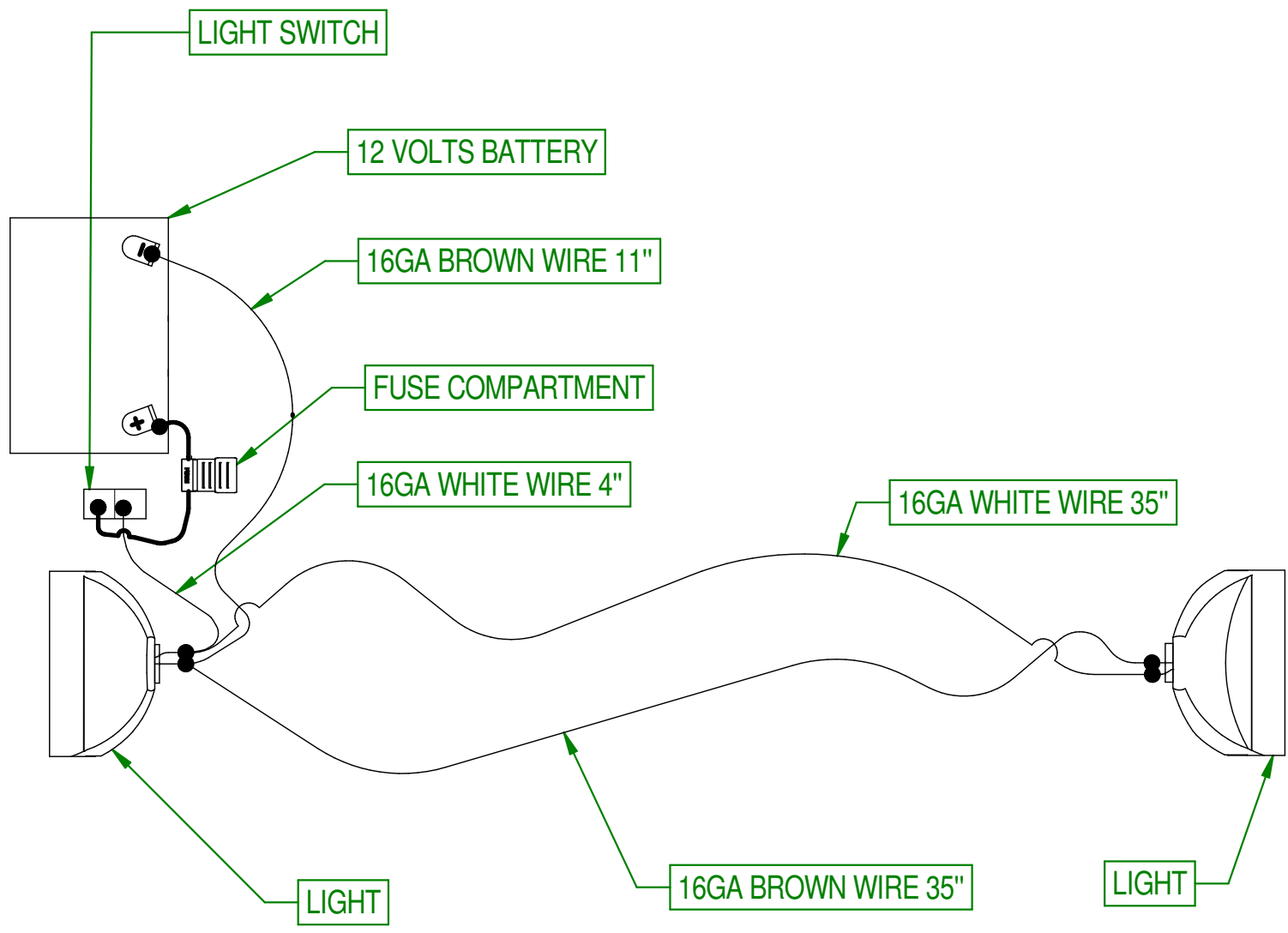
CREATION : 25/04/18
REVISION : 06/12/18

ASSEMBLY : **39-57-0190**
AUTHOR : J.KABWE

| # | PART # | Qty | TITLE |
|----|--------------|-----|--|
| 1 | NCI3-12-0001 | 1 | 12 VOLTS BATTERY |
| 2 | 39-21-0065 | 1 | RIGHT LIGHT HOLDER |
| 3 | 39-55-0121 | 2 | LED LIGHT |
| 4 | NC01-17-0068 | 1 | HEX. BOLT GR2 NC ZINC 5/16-18 X 3" |
| 5 | NC02-32-0011 | 2 | LOCK WASHER ZINC 5/16" |
| 6 | NC02-07-0017 | 1 | HEX. NUT 5/16-18 |
| 7 | 39-57-0195 | 1 | BATTERY STRAPE |
| 8 | 39-01-3050 | 1 | LIGHT SWITCH HOLDER |
| 9 | NC01-04-0027 | 2 | CARR. BOLT 1/4-20 X 6" LG |
| 10 | NC01-96-0009 | 2 | NYLON-INSERT LOCKNUT ZINC 1/4-20 |
| 11 | NCI3-25-0368 | 1 | LIGHT SWITCH |
| 12 | 39-55-0815 | 1 | BATTERY CABLE 36" (POSITIVE) (GR 400) |
| 13 | 39-55-0820 | 1 | BATTERY CABLE 36" (NAGATIVE) (GR 400) |
| 14 | 39-57-0625 | 1 | COMPLETE ELECTRIC WIRE SET |
| 15 | NCI3-80-0267 | 1 | RED PROTECTOR FOR BATTERY POST |
| 16 | NCI3-80-0268 | 1 | BLACK PROTECTOR FOR BATTERY POST |
| 17 | NCI3-25-0229 | 2 | BLACK NYLON CABLE TIE |
| 18 | NCI3-25-0019 | 1 | NYLON CABLE TIE |
| 19 | NCI3-25-0245 | 1 | BLACK TIE RAP |
| 20 | NC01-17-0058 | 1 | HEX. BOLT GR2 ZINC 5/16-18 X 3/4" |
| 21 | 33-01-4000 | 1 | HOUR METER HOLDER |
| 22 | NCI3-37-0669 | 1 | HOUR METER |

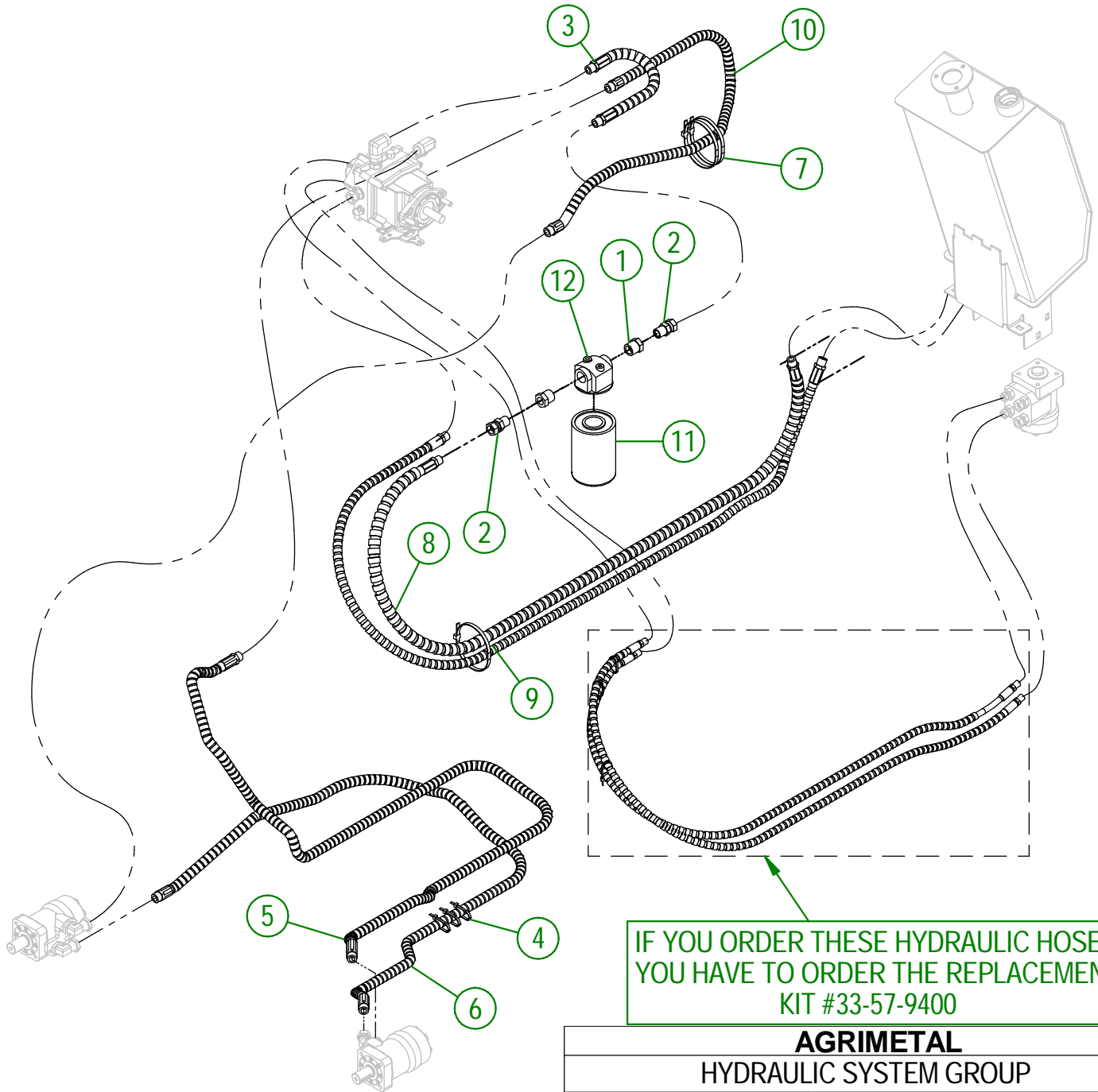


| | |
|--------------------------|------------------------------|
| AGRIMETAL | |
| ELECTRICAL SYSTEM GROUP. | |
| CREATION : 30/12/20 | ASSEMBLY : 39-57-0621 |
| REVISION : 17/02/22 | AUTHOR : J. Houle |



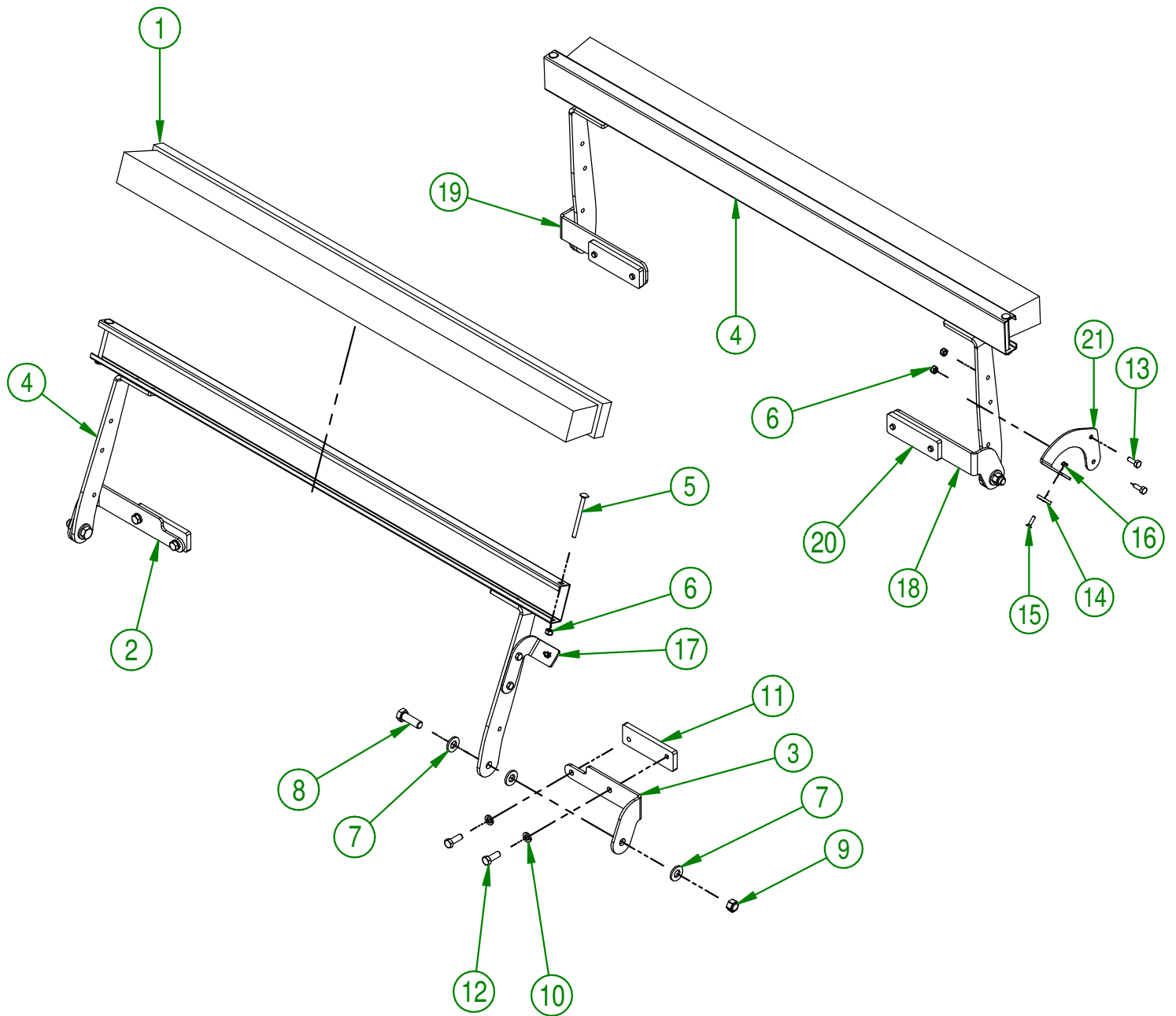
| | |
|-----------------------------------|------------------------------|
| AGRIMETAL | |
| COMPLETE ELECTRIC WIRE SET | |
| CREATION : 01/05/18 | ASSEMBLY : 39-57-0625 |
| REVISION : 02/05/18 | AUTHOR : J.KABWE |

| # | PART # | Qty | TITLE |
|----|--------------|-----|---|
| 1 | NC13-45-0032 | 2 | STRAIGHT HOSE FITTING 1/2 FEM. NPT X 3/4 MALE NPT |
| 2 | NC13-45-0091 | 2 | STRAIGHT HOSE FITTING 1/2 MALE NPTF X 1/2 FEM. SWIVEL |
| 3 | NC17-02-0313 | 1 | HYDRAULIC HOSE 19" |
| 4 | NC13-25-0019 | 6 | NYLON CABLE TIE |
| 5 | NC17-02-0374 | 1 | HYDRAULIC HOSE 63" |
| 6 | NC17-02-0372 | 1 | HYDRAULIC HOSE 59" |
| 7 | NC13-25-0229 | 3 | BLACK NYLON CABLE TIE |
| 8 | NC17-02-0317 | 1 | HYDRAULIC HOSE 64" |
| 9 | 39-55-0365 | 1 | HYDRAULIC HOSE 75" |
| 10 | NC17-02-0376 | 1 | HYDRAULIC HOSE 36" |
| 11 | NC13-45-0048 | 1 | OIL FILTER |
| 12 | NC13-45-0049 | 1 | HEAD FILTER |



IF YOU ORDER THESE HYDRAULIC HOSE
YOU HAVE TO ORDER THE REPLACEMENT
KIT #33-57-9400

| | |
|-------------------------------|------------------------------|
| AGRIMETAL | |
| HYDRAULIC SYSTEM GROUP | |
| CREATION : 10/02/22 | ASSEMBLY : 39-57-0593 |
| REVISION : 04/03/24 | AUTHOR : J. Houle |



**AGRIMETAL
BRUSHES KIT**

CREATION : 25/05/21
REVISION : 04/11/21

ASSEMBLY : **39-57-9110**
AUTHOR : G.HUBERDEAU

39-57-9110

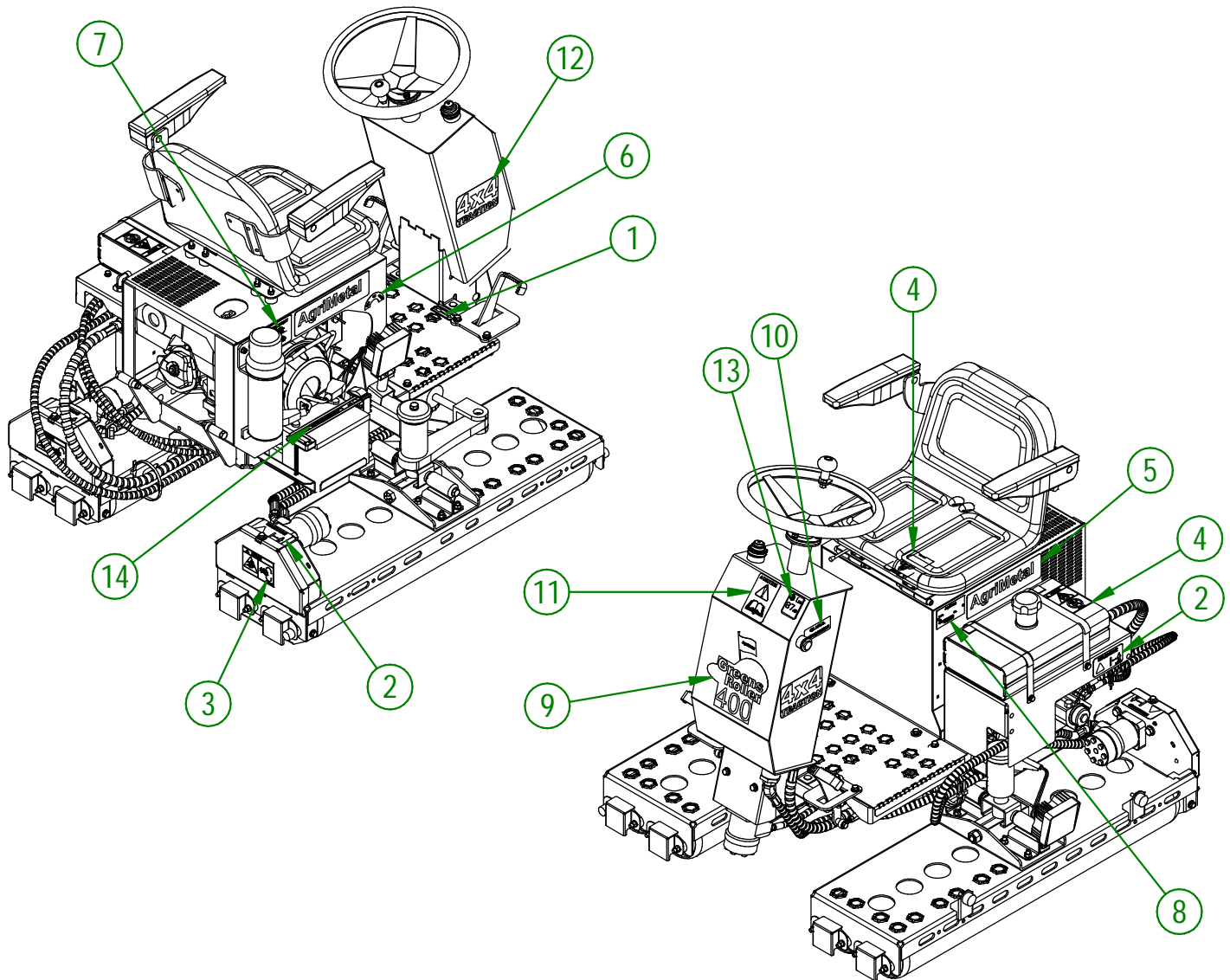
| # | PART # | Qty | TITLE |
|----|--------------|-----|--|
| 1 | NC13-80-0294 | 2 | BRUSH |
| 2 | 39-04-0527 | 1 | BRUSH HOLDER (FRONT-LEFT) |
| 3 | 39-04-0525 | 1 | BRUSH HOLDER (REAR-LEFT) |
| 4 | 39-50-9100 | 2 | BRUSH SUPPORT |
| 5 | NC01-02-0013 | 4 | CARR. BOLT GR2 ZINC 1/4-20 X 3/4" |
| 6 | NC01-96-0009 | 8 | NYLON-INSERT LOCKNUT ZINC 1/4-20 |
| 7 | NC02-25-0011 | 12 | WASHER SAE ZINC 17/32 ID |
| 8 | NC01-17-0249 | 4 | HEX. BOLT GR2 ZINC 1/2-13 X 1 1/2" |
| 9 | NC01-96-0014 | 4 | NYLON-INSERT LOCKNUT ZINC 1/2-13 |
| 10 | NC02-32-0012 | 8 | LOCK WASHER ZINC 3/8" |
| 11 | 39-05-0510 | 2 | PLATE FOR BRUSH HOLDER (LEFT) |
| 12 | NC01-17-0114 | 8 | HEX. BOLT GR2 ZINC 3/8-16 X 1" |
| 13 | NC01-17-0004 | 4 | HEX. BOLT GR2 ZINC 1/4-20 X 3/4" |
| 14 | NC13-05-0008 | 2 | MAGNET |
| 15 | NC02-36-0110 | 2 | MACHINE SCREW FLAT HEAD 10-24 X 3/4" LG. |
| 16 | NC01-96-0006 | 2 | NYLON NUT ZINC 10-24 |
| 17 | 39-01-0300 | 1 | MAGNET HOLDER (LEFT) |
| 18 | 39-04-0540 | 1 | BRUSH HOLDER (REAR-RIGHT) |
| 19 | 39-04-0543 | 1 | BRUSH HOLDER (FRONT-RIGHT) |
| 20 | 39-05-0505 | 2 | PLATE FOR BRUSH HOLDER |
| 21 | 39-01-0305 | 1 | MAGNET HOLDER (RIGHT) |
| 22 | 39-01-0260 | 1 | JIG FOR LEFT BRUSH HOLDER |
| 23 | 39-01-0263 | 1 | JIG FOR RIGHT BRUSH HOLDER |

AGRIMETAL
BRUSHES KIT

CREATION : 25/05/21
REVISION : 04/11/21

ASSEMBLY : **39-57-9110**
AUTHOR : G.HUBERDEAU

| # | PART# | QTY | TITLE |
|----|--------------|-----|--|
| 1 | NCI3-33-0124 | 2 | STICKER STEERING ARROW |
| 2 | NCI3-33-0288 | 3 | STICKER WARNING HIGH-PRESSURE LIQUID |
| 3 | NCI3-33-0247 | 2 | STICKER DANGER |
| 4 | NCI3-33-0185 | 2 | STICKER PICTOGRAM (FIRE + CIGARETTE) |
| 5 | NCI3-33-0035 | 2 | STICKER AGRIMETAL |
| 6 | NCI3-33-0095 | 1 | STICKER OFF ON START |
| 7 | NCI3-33-0151 | 1 | STICKER (IMPORTANT TO PREVENT ENGINE FAILURE...) |
| 8 | NCI3-50-0086 | 1 | SERIAL NUMBER PLATE |
| 9 | NCI3-33-0267 | 1 | STICKER AGRIMETAL GREENS ROLLER 660 |
| 10 | NCI3-33-0003 | 1 | STICKER OIL LEVEL |
| 11 | NCI3-33-0183 | 1 | STICKER CAUTION OPERATION MANUAL |
| 12 | NCI3-33-0335 | 2 | 4x4 STICKER |
| 13 | NCI3-33-0153 | 1 | STICKER 87 DB |
| 14 | NCI3-33-0350 | 1 | LIGHT SWITCH STICKER |



AGRIMETAL
GREEN ROLLER 400-F

CREATION : 08/09/22
REVISION : 08/09/22

ASSEMBLY : **39-99-0505**
AUTHOR : J. Houle