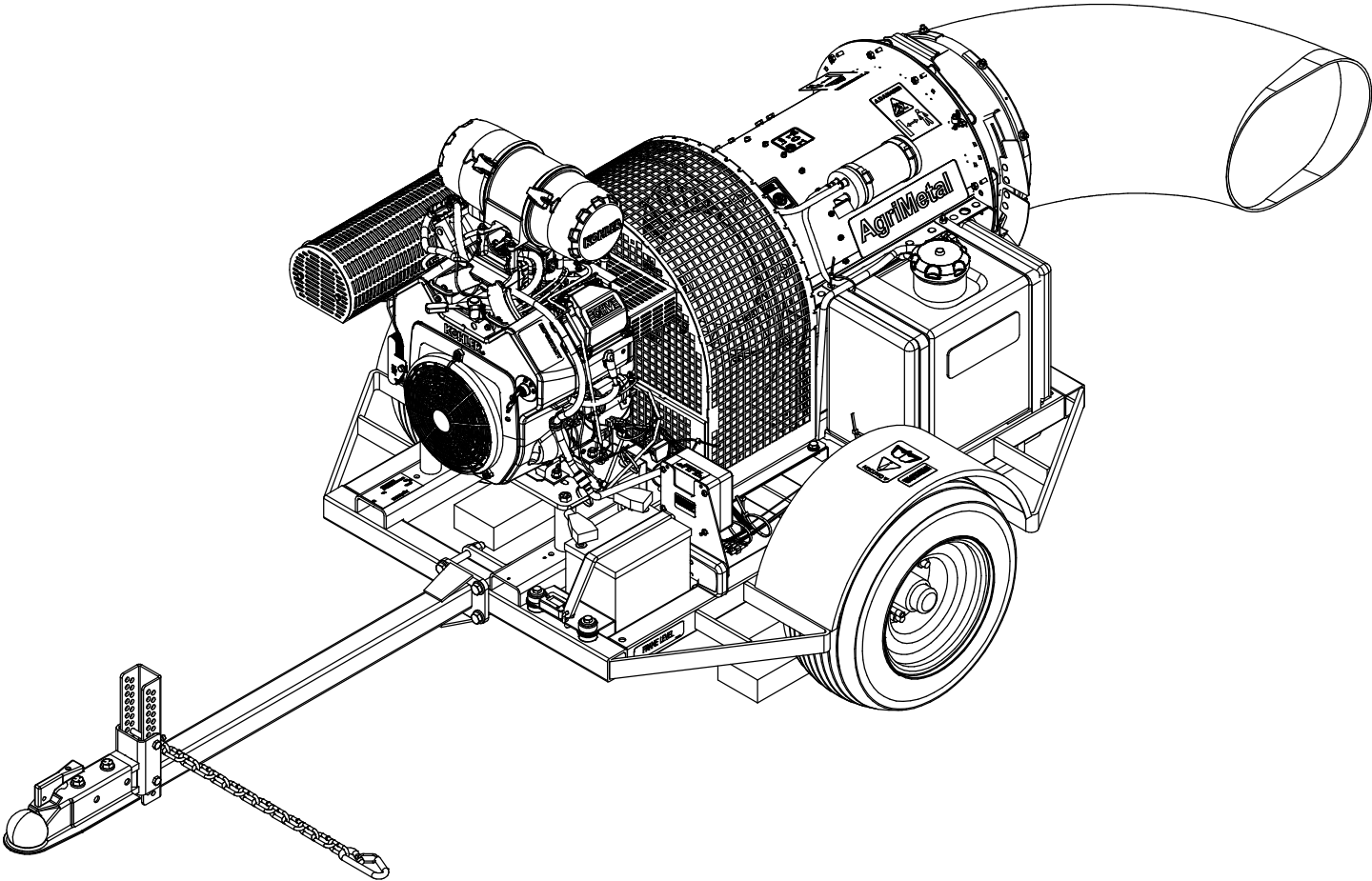
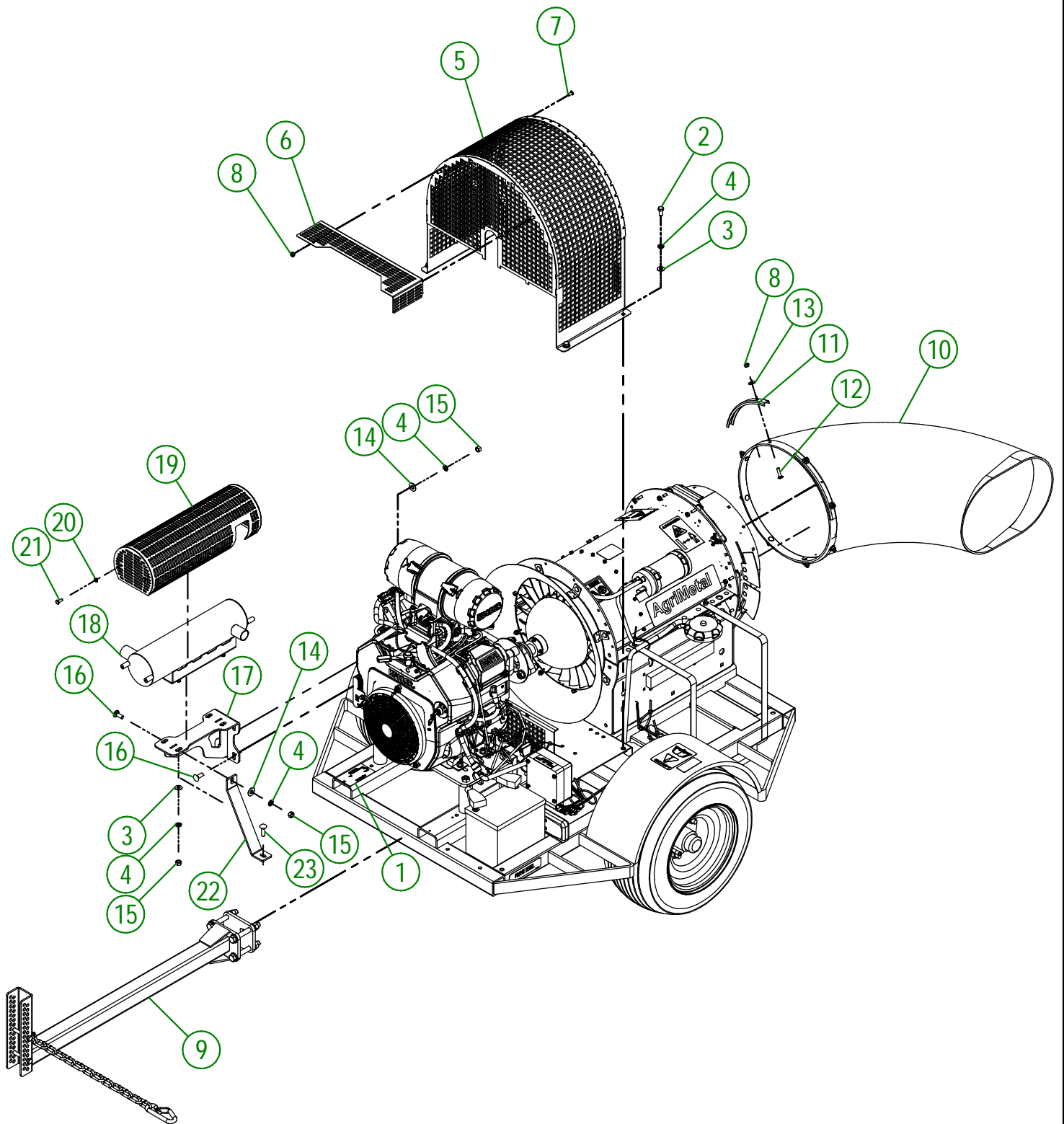


# AgriMetal

## PARTS LIST



**TURBINE BLOWER 270 IC-3 C.A.R.B**

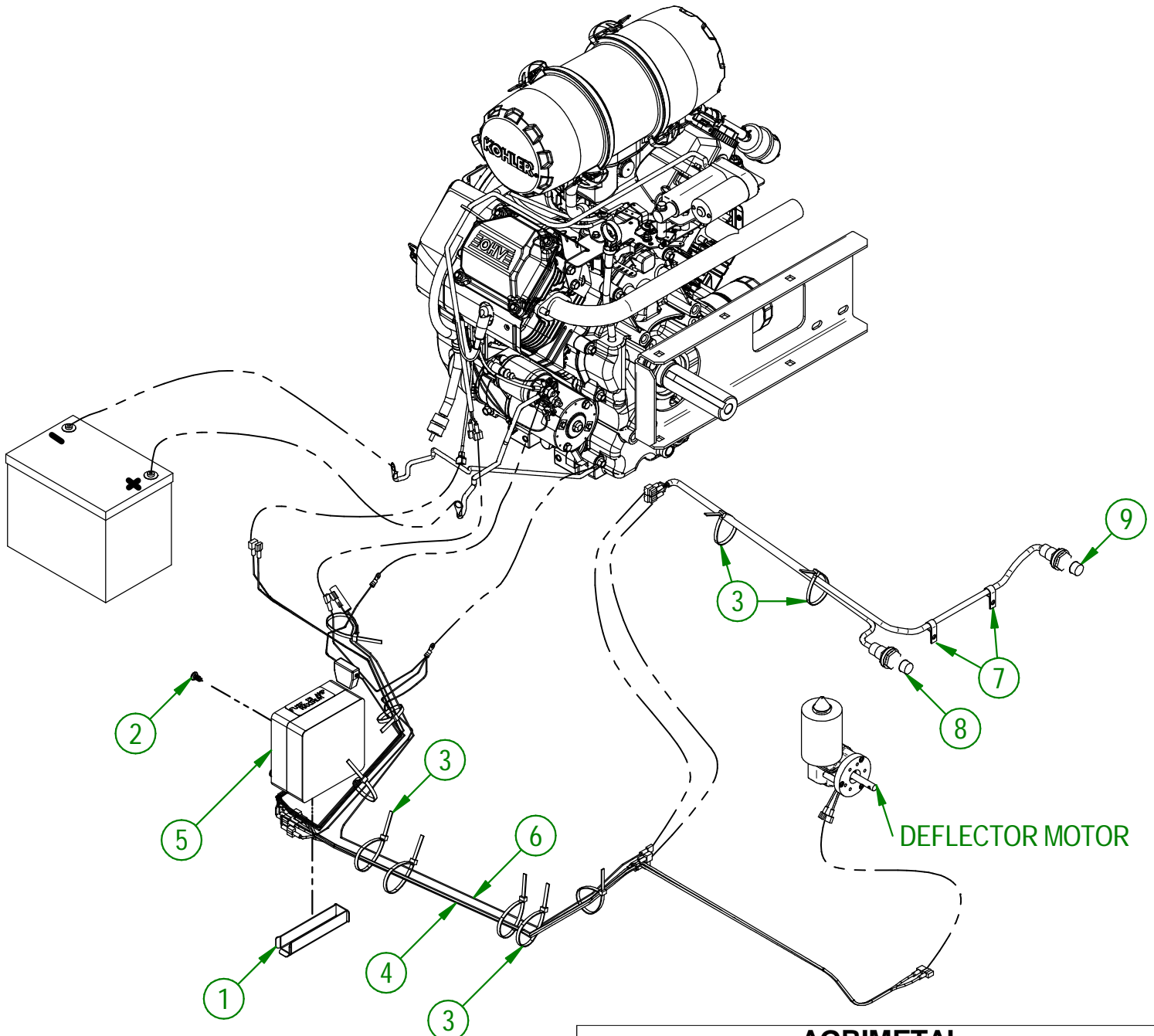


<b>AGRIMETAL</b>		
<b>TURBINE BLOWER 270 IC-3 CARB</b>		
CREATION : 09/07/25	ASSEMBLY :	<b>33-99-2615</b>
REVISION : 16/09/25	AUTHOR :	J.Houle

33-99-2615

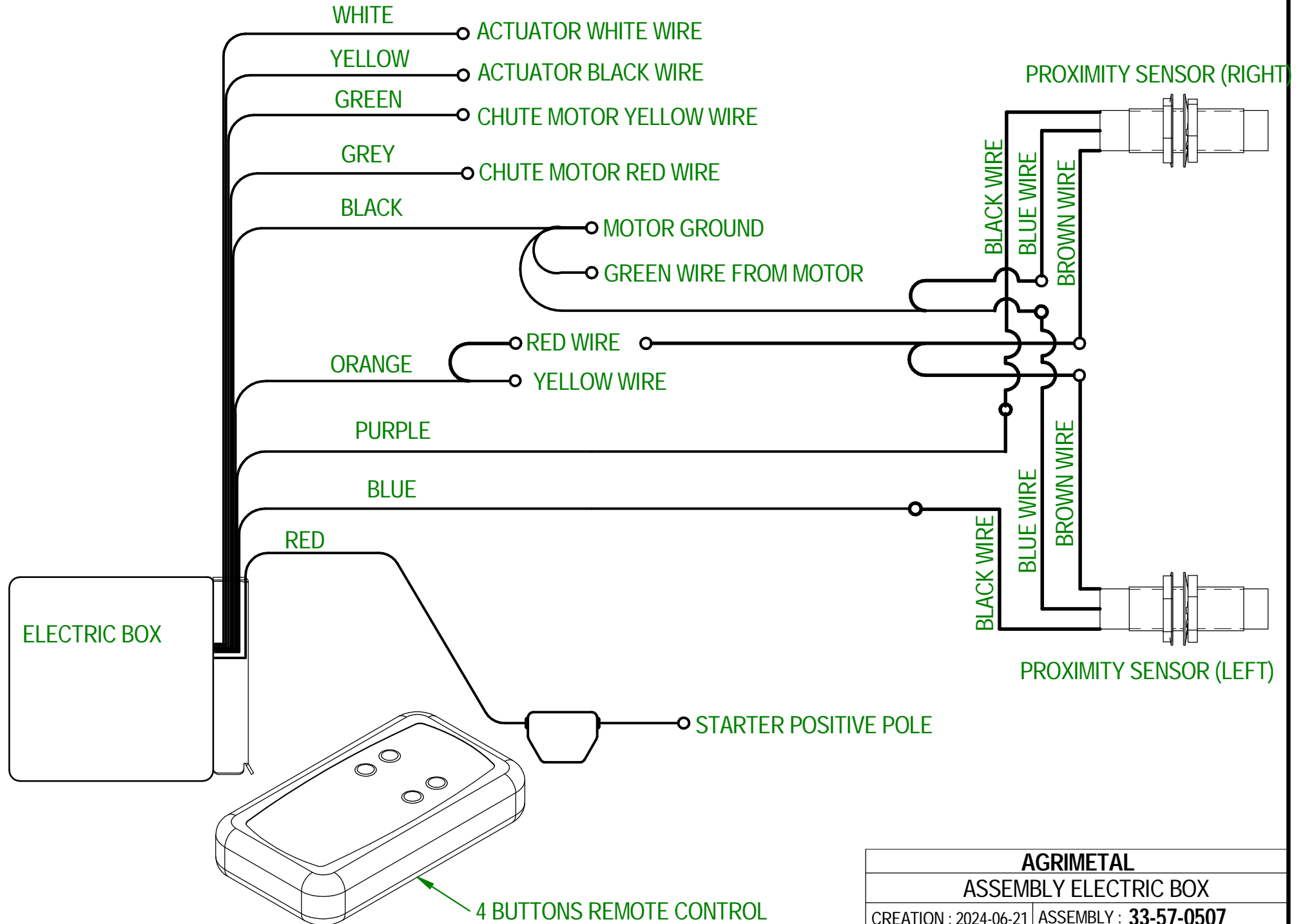
#	PART #	QTY	TITLE
1	25-55-0710	1	SERIAL NUMBER PLATE
2	NC01-17-0112	4	HEX. BOLT GR2 ZINC 3/8-16 X 3/4"
3	NC02-25-0009	9	FLAT WASHER 14 GA X 13/16"OD X 25/64" ID
4	NC02-32-0012	14	LOCK WASHER ZINC 3/8"
5	33-50-0035	1	TURBINE GUARD (TB-270-240)
6	33-01-0025	1	EXHAUST TUBE GUARD
7	NC01-04-0001	5	CARR. BOLT GR2 ZINC 1/4-20 X 1/2"
8	NC01-96-0009	13	NYLON-INSERT LOCKNUT ZINC 1/4-20
9	33-55-0040	1	HITCH ASSEMBLY
10	NC17-37-0001	1	PLASTIC ELBOW
11	33-01-2480	4	DUCT CLAMP
12	NC01-04-0005	8	CARR. BOLT GR2 ZINC 1/4-20 X 1"
13	NC02-22-0008	8	WASHER ZINC 5/16"
14	NC02-22-0010	5	WASHER 13/32" ID
15	NC02-07-0018	10	HEX. NUT ZINC 3/8-16
16	NC01-04-0109	5	CARR. BOLT GR2 ZINC 3/8-16 X 1"
17	22-50-0300	1	MUFFLER SUPPORT (KOHLER 27 HP)
18	33-50-1050	1	27 HP KOHLER MUFFLER
19	33-50-1055	1	MUFFLER GUARD (27 HP KOHLER)
20	NC02-32-0010	4	LOCK WASHER ZINC 1/4"
21	NC01-29-0003	4	HEX. BOLT GR5 ZINC 1/4-28 X 5/8"
22	33-04-0350	1	MUFFLER SUPPORT
23	NC01-07-0110	1	CARR. BOLT GR5 ZINC 3/8-16 X 1 1/4"
24	33-57-0621	1	PROXIMITY SENSOR GROUP.

#	PART #	QTY	TITLE
1	33-22-2240	1	WIRE PROTECTOR
2	NC02-42-0096	4	PHILLIPS SCREW ZINC #14 X 5/8"
3	NC13-25-0019	10	BLACK TIE RAP
4	NC13-25-0375	1	67" NEW BOX WIRE
5	NC13-25-0370	1	ELECTRIC BOX
6	33-55-0620	1	16 GA WIRE ASSY (PROXIMITY SENSOR)
7	NC13-25-0233	2	VINYLE PROTECTOR COLLAR
8	NC13-25-0408	1	PROXIMITY SENSOR (LEFT)
9	NC13-25-0408	1	PROXIMITY SENSOR (RIGHT)



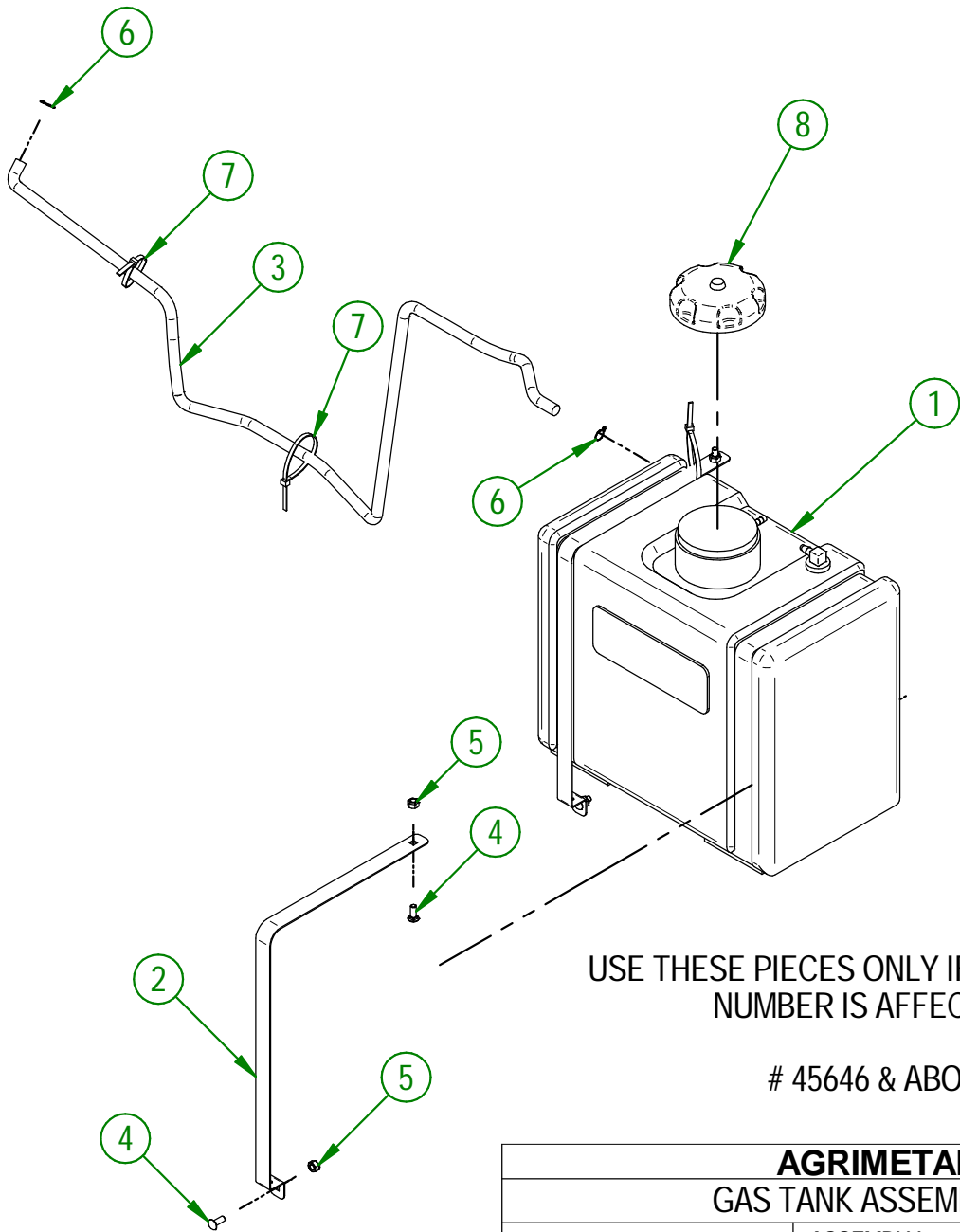
<b>AGRIMETAL</b>	
<b>ASSEMBLY ELECTRIC CONTROL</b>	
CREATION : 08/07/25	ASSEMBLY : <b>33-57-0507</b>
REVISION : 08/07/25	AUTHOR : D. CHASSÉ

# TURBINE BLOWER 270 IC-2



<b>AGRIMETAL</b>	
<b>ASSEMBLY ELECTRIC BOX</b>	
CREATION : 2024-06-21	ASSEMBLY : <b>33-57-0507</b>
REVISION : 2025-11-19	AUTHOR : D. CHASSÉ

#	PART #	Qty	TITLE
1	33-55-0200	1	GAS TANK
2	33-01-3045	2	GAS TANK STRAP
3	33-46-0545	1	GAS HOSE 1/2" DIA.X 1/4" D.I. X 50"
4	NC01-04-0002	4	CARR. BOLT GR2 ZINC 1/4-20 X 5/8"
5	NC01-96-0009	4	NYLON-INSERT LOCKNUT ZINC 1/4-20
6	NC01-65-0201	2	SPRING -GRIP HOSE CLAMPS 1/2" O.D
7	NC13-25-0019	3	BLACK TIE RAP
8	33-55-0205	1	GAS CAP

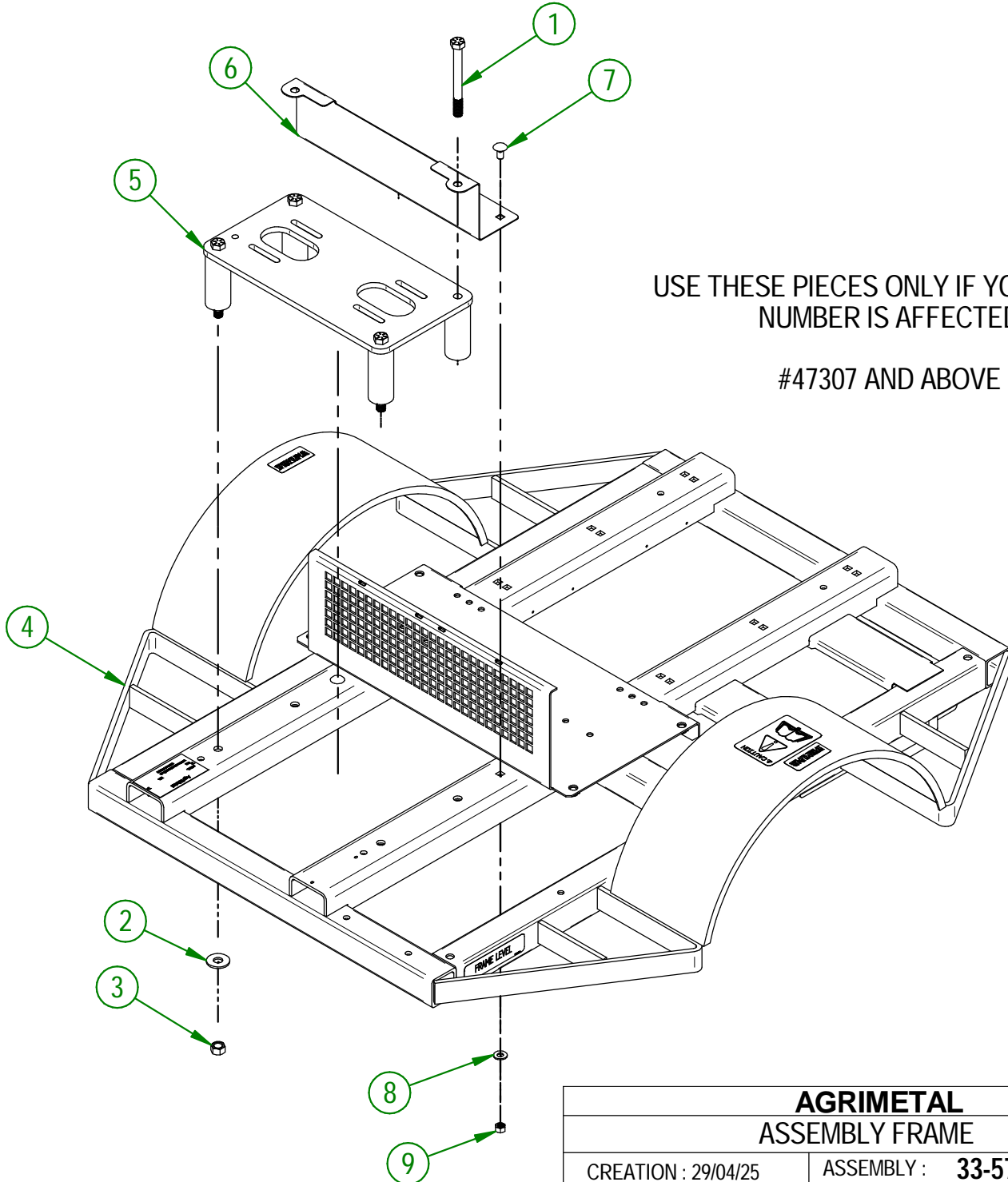


USE THESE PIECES ONLY IF YOUR SERIAL NUMBER IS AFFECTED:

# 45646 & ABOVE

<b>AGRIMETAL</b>	
<b>GAS TANK ASSEMBLY</b>	
CREATION : 15/05/24	ASSEMBLY : <b>33-57-0165</b>
REVISION : 21/08/25	AUTHOR : D. CHASSÉ

#	PART #	Qty	TITLE
1	NC01-37-0263	4	HEX. BOLT GR8 NF ZINC 1/2-20 X 5" LG
2	NC02-22-0012	4	WASHER ZINC 1/2 BOLT = 9/16"Ø X 1 3/8" OD
3	NC01-94-0013	4	NYLON NUT ZINC 1/2-20"
4	33-57-2501	1	ASSEMBLY FRAME STICKER INCLUDED
5	33-57-0215	1	ENGINE BASE GROUP
6	33-01-0336	1	SHIELD PLATE
7	NC01-07-0107	2	CARR. BOLT GR5 ZINC 3/8-16 X 3/4"
8	NC02-25-0009	2	FLAT WASHER 14 GA X 13/16"OD X 25/64" ID
9	NC01-93-0011	2	LOCK NUT 3/8-16



USE THESE PIECES ONLY IF YOUR SERIAL NUMBER IS AFFECTED:

#47307 AND ABOVE

<b>AGRIMETAL</b>	
<b>ASSEMBLY FRAME</b>	
CREATION : 29/04/25	ASSEMBLY : <b>33-57-2521</b>
REVISION : 08/07/25	AUTHOR : D. CHASSÉ

#	PART#	QTY	TITLE
1	NCI7-43-0016	1	AXLE SHAFT
2	NCI4-70-0605	1	WASHER
3	NCI4-70-0310	1	SLOTTED NUT 1-14
4	NCI4-70-0311	1	COTTER PIN ZINC 5/32" X 2"
5	NCI4-70-0092	1	DUST GUARD
6	NC01-33-0010	1	GRADE 8 HEX HEAD SCREW 1/4-20 X 2" LG.
7	NC01-93-0001	1	HEX. LOCK NUT NC ZINC 1/4-20
8	NCI4-70-0643	1	HUB
9	NC02-12-0005	5	HEX. NUT ZINC 1/2-20
10	NCI4-70-0656	1	TRAILER WHEEL

NCI4-70-0656

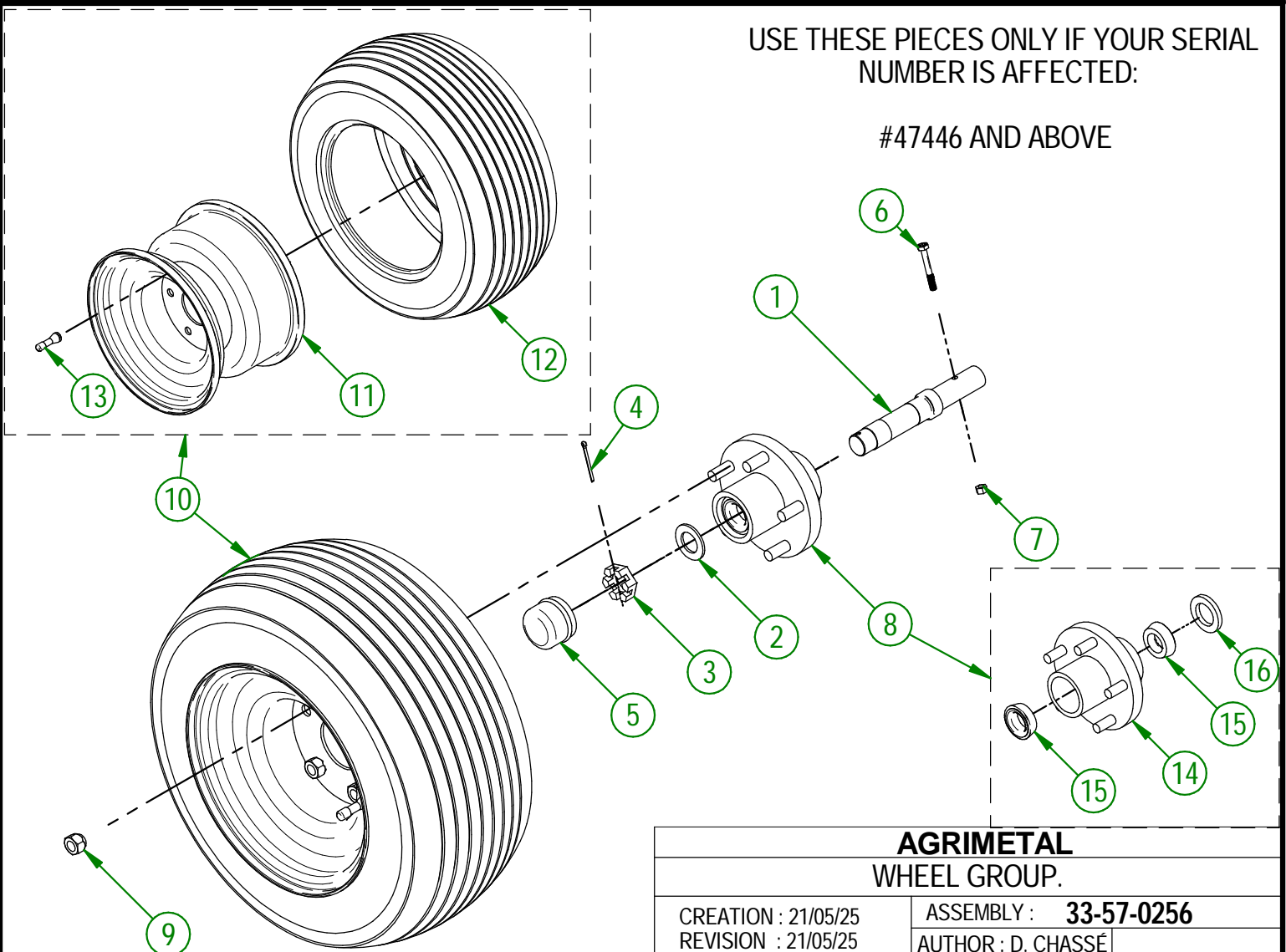
#	PART#	QTY	TITLE
11	NCI4-70-0657	1	WHEEL RIM
12	NCI4-70-0658	1	WHEEL 18X9.50-8 (TURBINE)
13	NCI4-70-0659	1	VALVE FOR NCI4-70-0657

NCI4-70-0643

#	PART#	QTY	TITLE
14	NCI4-70-0643	1	HUB
15	NCI4-70-0093	2	EXTERIOR BEARING
16	NCI4-70-0324	1	SEAL 1.219" X 1.980"

USE THESE PIECES ONLY IF YOUR SERIAL NUMBER IS AFFECTED:

#47446 AND ABOVE

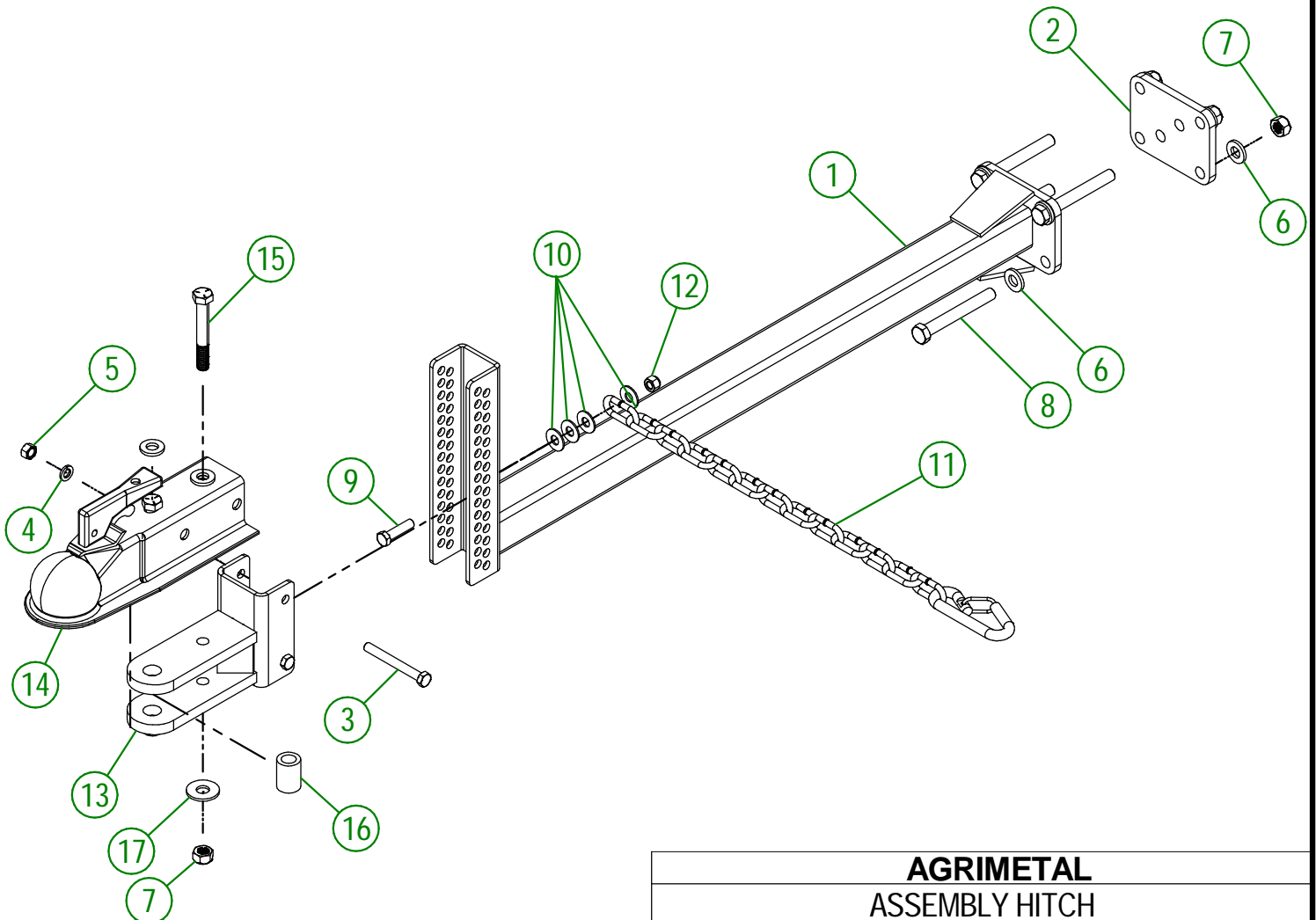


**AGRIMETAL**  
WHEEL GROUP.

CREATION : 21/05/25  
REVISION : 21/05/25

ASSEMBLY : **33-57-0256**  
AUTHOR : D. CHASSÉ

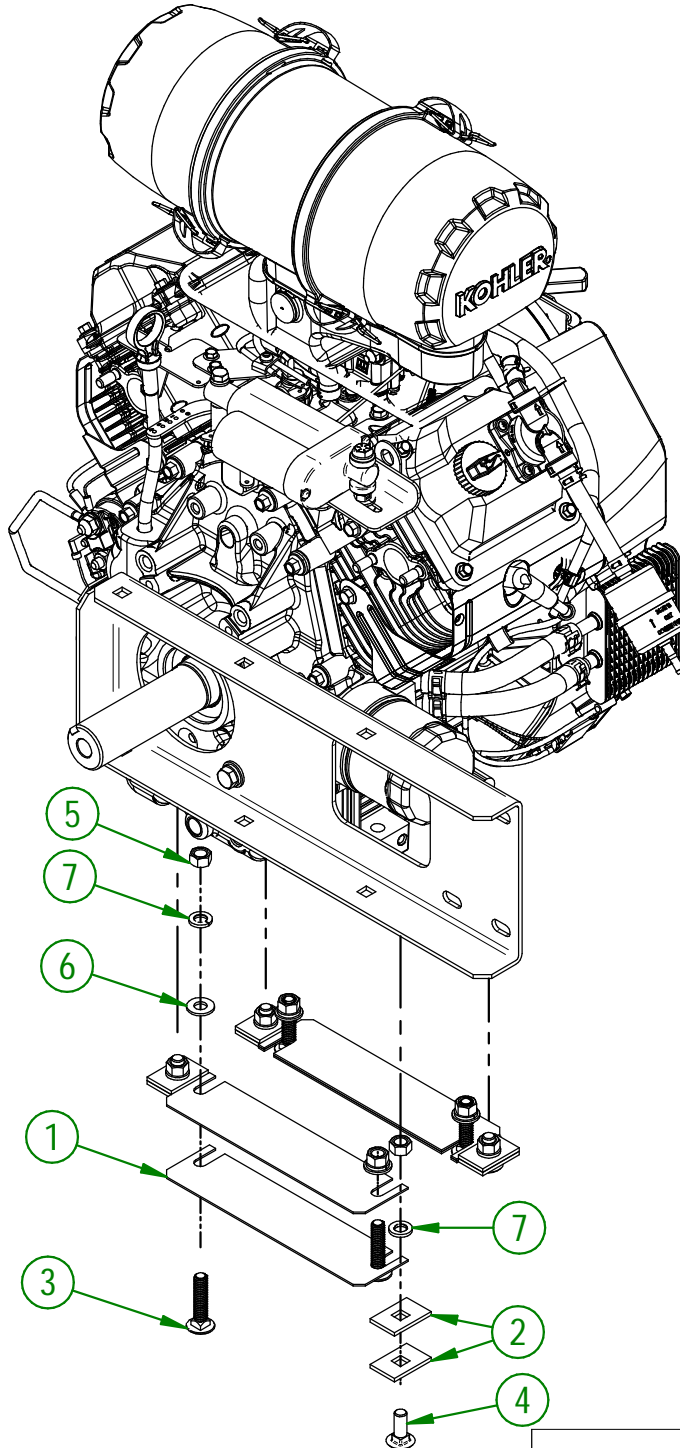
#	PART#	QTY	TITLE
1	33-50-0010	1	DRAW BAR
2	33-04-0605	1	HITCH PLATE
3	NC01-17-0123	2	HEX. BOLT GR2 ZINC 3/8-16 X 3 1/4"
4	NC02-32-0012	2	LOCK WASHER ZINC 3/8"
5	NC02-07-0018	2	HEX. NUT ZINC 3/8-16
6	NC02-25-0011	10	WASHER SAE ZINC 17/32 ID
7	NC01-93-0014	6	LOCK NUT ZINC 1/2-13
8	NC01-17-0259	4	HEX. BOLT GR2 ZINC 1/2-13 X 4"
9	NC01-17-0116	1	HEX. BOLT GR2 ZINC 3/8-16 X 1 1/2"
10	NC02-22-0010	4	WASHER 13/32" ID
11	55-41-0000	1	SAFETY CHAIN
12	NC01-96-0011	1	NYLON NUT 3/8-16
13	23-50-0045	1	HITCH HAND
14	NC13-80-0290	1	2" HITCH BALL COUPLER
15	NC01-25-0257	2	HEX. BOLT GR5 ZINC 1/2-13 X 3 1/2"
16	23-09-0100	1	HITCH SPACER
17	NC02-22-0012	2	WASHER ZINC 1/2 BOLT = 9/16"Ø X 1 3/8" OD



<b>AGRIMETAL</b>	
<b>ASSEMBLY HITCH</b>	
CREATION : 16/10/24	ASSEMBLY : <b>33-55-0040</b>
REVISION : 20/11/25	AUTHOR : J.KABWE

33-57-2542

#	PART #	Qty	TITLE
1	33-22-2215	4	ENGINE SHIM ALU. 0.016" X 8.125" X 2"
2	33-22-5600	8	ENGINE STOPPER
3	NC01-02-0112	4	CARR. BOLT GR2 FLZ 3/8-16 X 1 3/4"
4	NC01-04-0109	4	CARR. BOLT GR2 ZINC 3/8-16 X 1"
5	NC02-07-0018	8	HEX. NUT ZINC 3/8-16
6	NC02-25-0009	4	FLAT WASHER 14 GA X 13/16"OD X 25/64" ID
7	NC02-32-0012	8	LOCK WASHER ZINC 3/8"



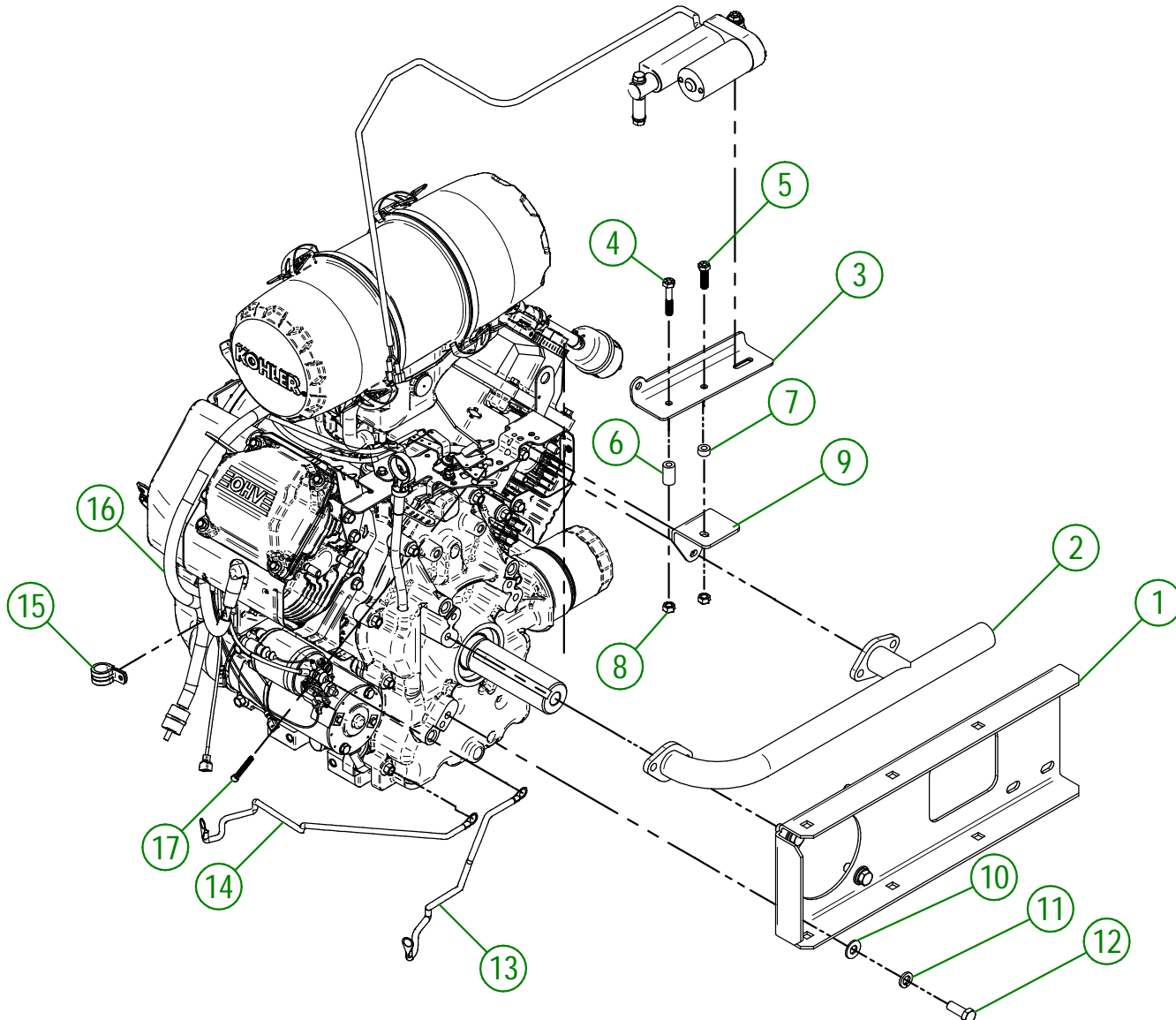
**AGRIMETAL**

27 HP CYCLONE ENGINE GROUP.

CREATION : 08/07/25  
 REVISION : 08/07/25

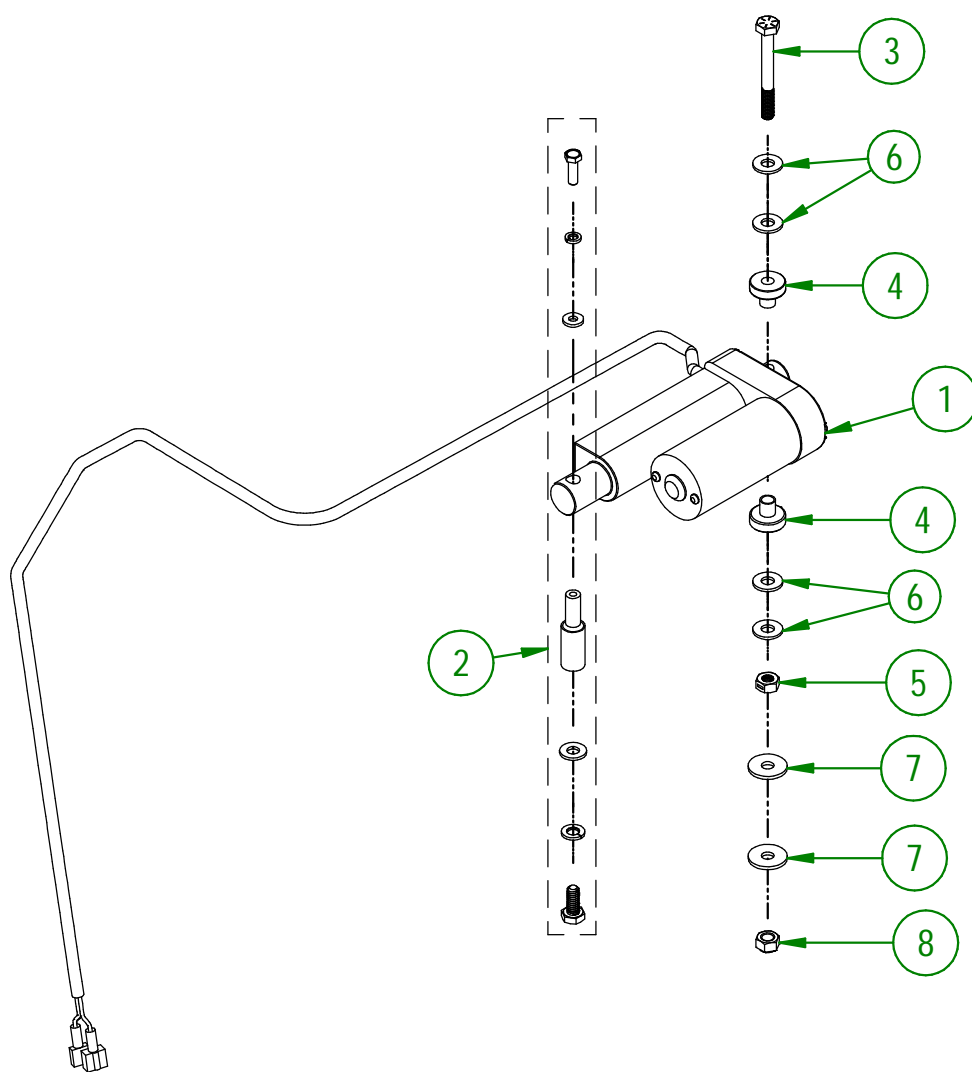
ASSEMBLY : **33-57-2542**  
 AUTHOR : J.KABWE

#	PART #	QTY	TITLE
1	33-01-0900	1	MOFFLER SUPPORT
2	33-35-5000	1	EXHAUST MANIFOLD
3	33-01-0040	1	ACTUATOR SUPPORT
4	NC01-37-0008	1	HEX. BOLT GR8 1/4-28 X 1 1/2"
5	NC01-37-0006	1	HEX BOLT GR8 NF ZINC 1/4-28 X 1
6	33-21-0070	1	ACTUATOR SUPPORT BUSHING
7	33-21-0075	1	ACTUATOR SUPPORT BUSHING
8	NC01-97-0004	2	NYLON-INSERT LOCKNUT ZINC 1/4-28
9	33-01-0425	1	ACTUATOR SUPPORT
10	01-01-2485	4	FLAT WASHER 14 GA X 13/16"OD X 25/64" ID
11	NC02-32-0012	4	LOCK WASHER ZINC 3/8"
12	NC01-25-0114	4	HEX. BOLT GR5 ZINC 3/8-16 X 1"
13	33-55-1505	1	ASSEMBLY BATTERY RED CABLE #4
14	33-55-2500	1	ASSEMBLY BATTERY BLACK CABLE #4
15	NC13-25-0110	1	SNUG-FIT DAMPING LOOP CLAMP
16	33-46-0527	1	1/4" GAS HOSE
17	NC01-45-0062	1	METR. BOLT GR 8.8 4MM X0.70P X 40MM



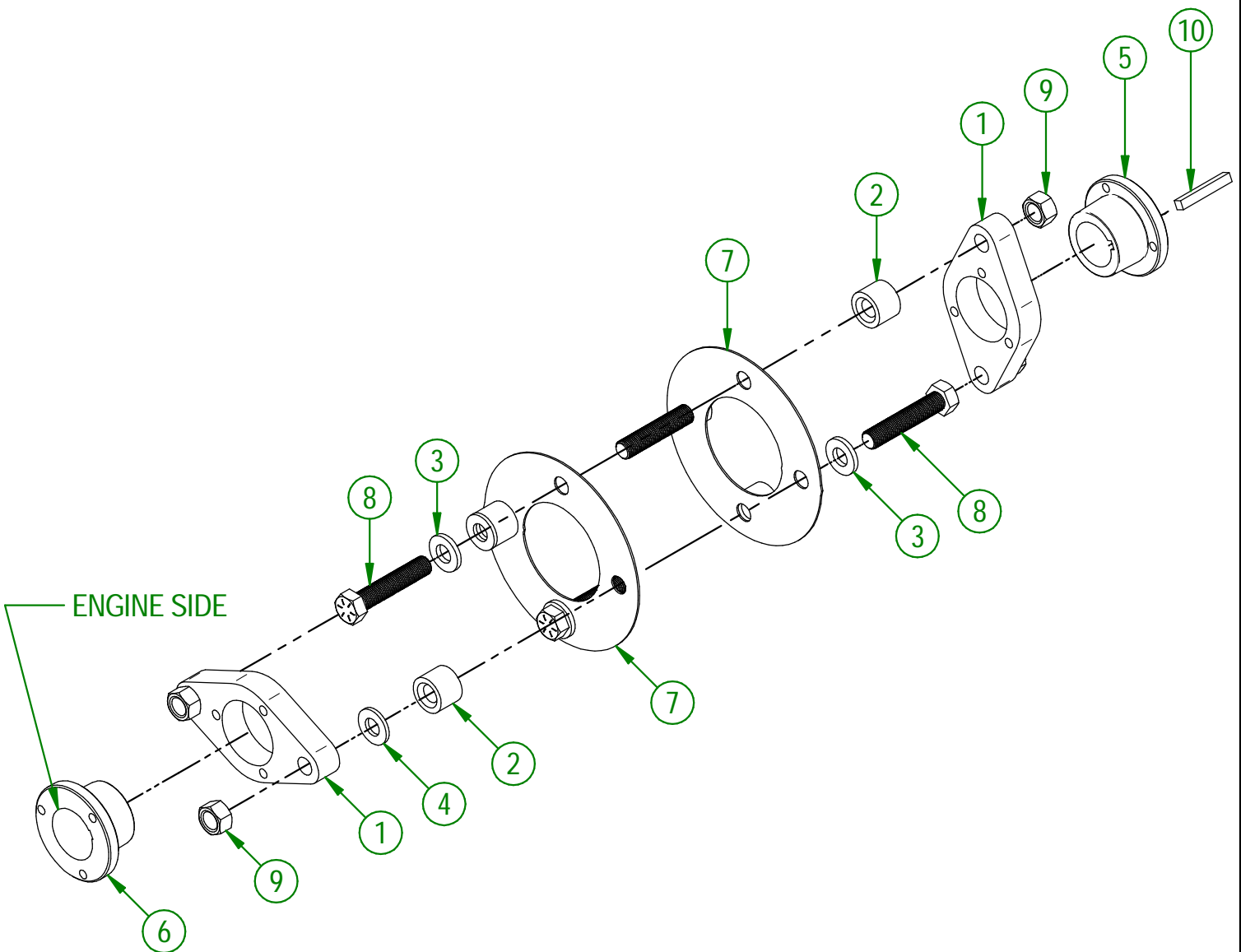
<b>AGRIMETAL</b>	
<b>27 HP KOHLER ENGINE STARTER ASSY.</b>	
CREATION : 08/07/25	ASSEMBLY : <b>33-55-2532</b>
REVISION : 08/07/25	AUTHOR : J.KABWE

#	PART #	Qty	TITLE
1	33-55-0100	1	ACTUATOR 12 VOLTS
2	33-57-0107	1	ACTION ROD
3	NC01-37-0011	1	HEX. BOLT GR8 1/4-28 X 2 1/4
4	33-42-0120	2	PIVOT BUSHING
5	NC02-14-1200	1	TWO WAY LOCK NUT 1/4-28
6	NC02-25-0007	4	WASHER ZINC 0.281 = 9/32
7	36-01-2430	2	FLAT WASHER 14GA X 17/64" I.D. X 13/16" O.D.
8	NC01-97-0004	1	NYLON-INSERT LOCKNUT ZINC 1/4-28



<b>AGRIMETAL</b>	
<b>ASSEMBLY ACTUATOR 12 VOLTS</b>	
CREATION : 17/04/18	ASSEMBLY : <b>33-55-0107</b>
REVISION : 21/06/24	AUTHOR : J.KABWE

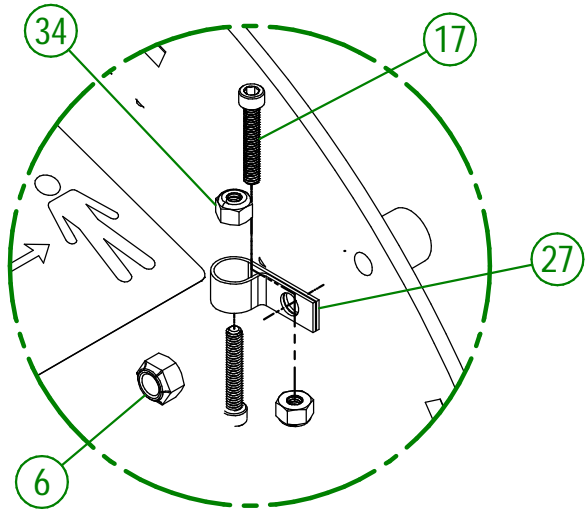
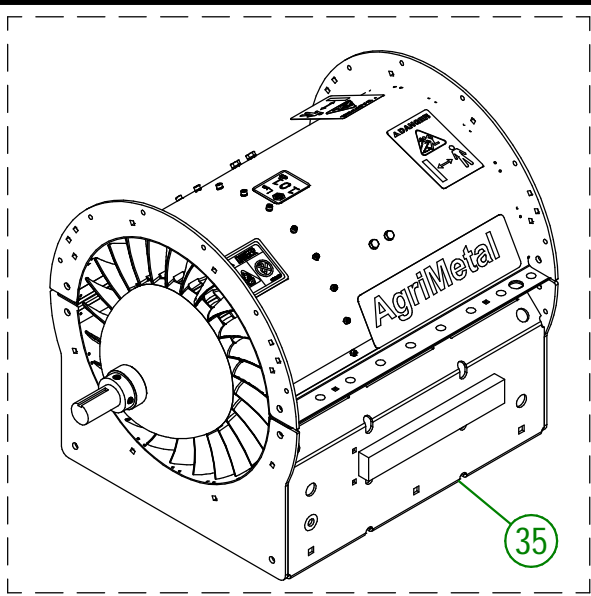
#	PART #	Qty	TITLE
1	33-04-1600	2	FLANGE
2	33-21-0055	4	SLEEVE
3	01-01-0925	4	WASHER
4	33-01-7570	2	WASHER
5	NC14-62-0016	1	QD BUSHING SH I 1/4"
6	NC14-62-0211	1	QD BUSHING SH I 7/16"
7	33-20-0152	2	SPACER
8	NC01-37-0253	4	HEX. BOLT GR8 ZINC 1/2-20 X 2 1/2"
9	NC01-94-0013	4	NYLON NUT ZINC 1/2-20"
10	NC01-65-0308	1	SQUARE KEY 1/4" X I 3/4"



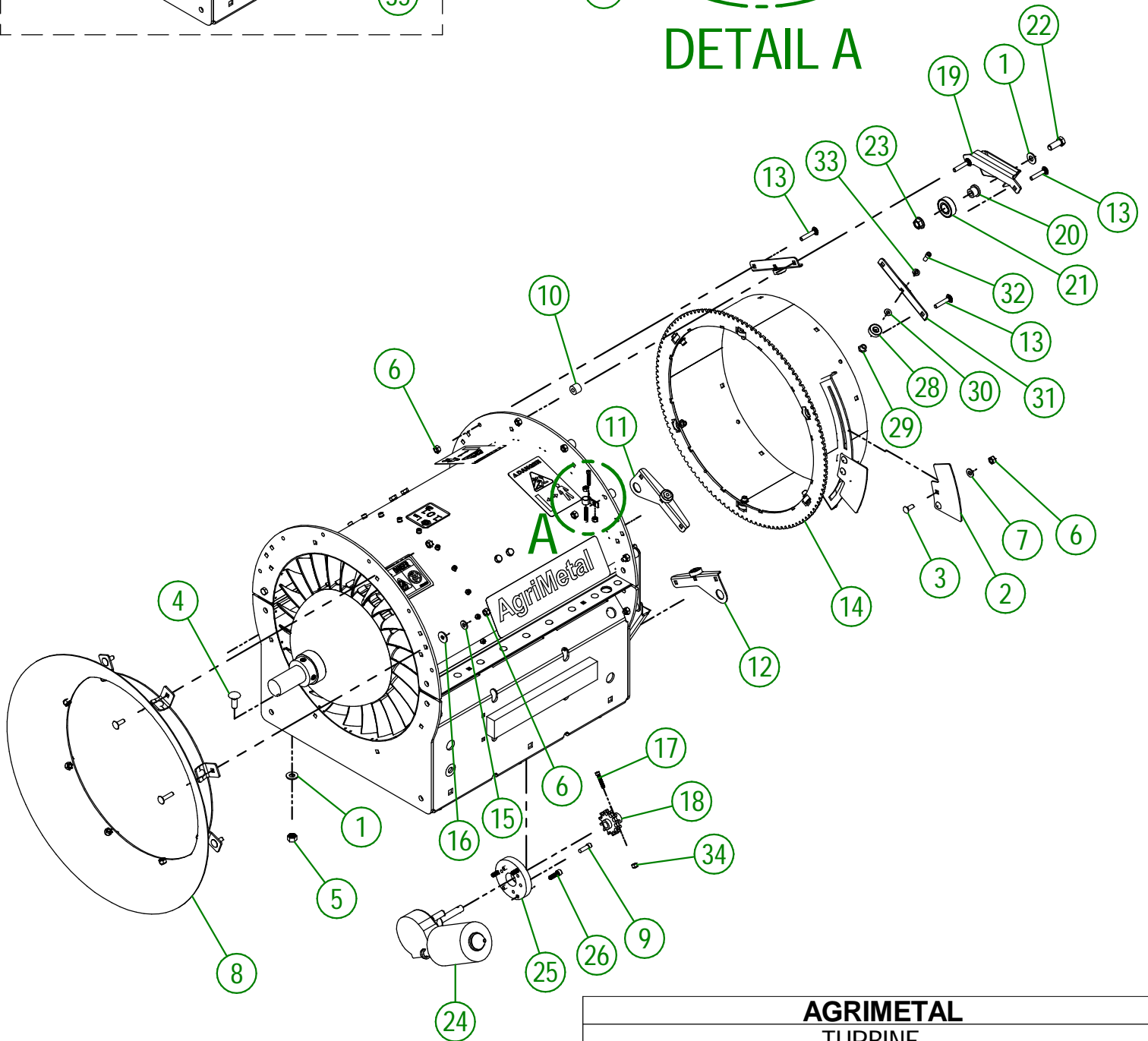
**AGRIMETAL**  
**COUPLING ASSEMBLY**

CREATION : 03/11/17  
 REVISION : 07/07/25

ASSEMBLY : **33-57-0046**  
 AUTHOR : J.KABWE



**DETAIL A**



**AGRIMETAL  
TURBINE**

CREATION : 19/06/24  
REVISION : 10/10/24

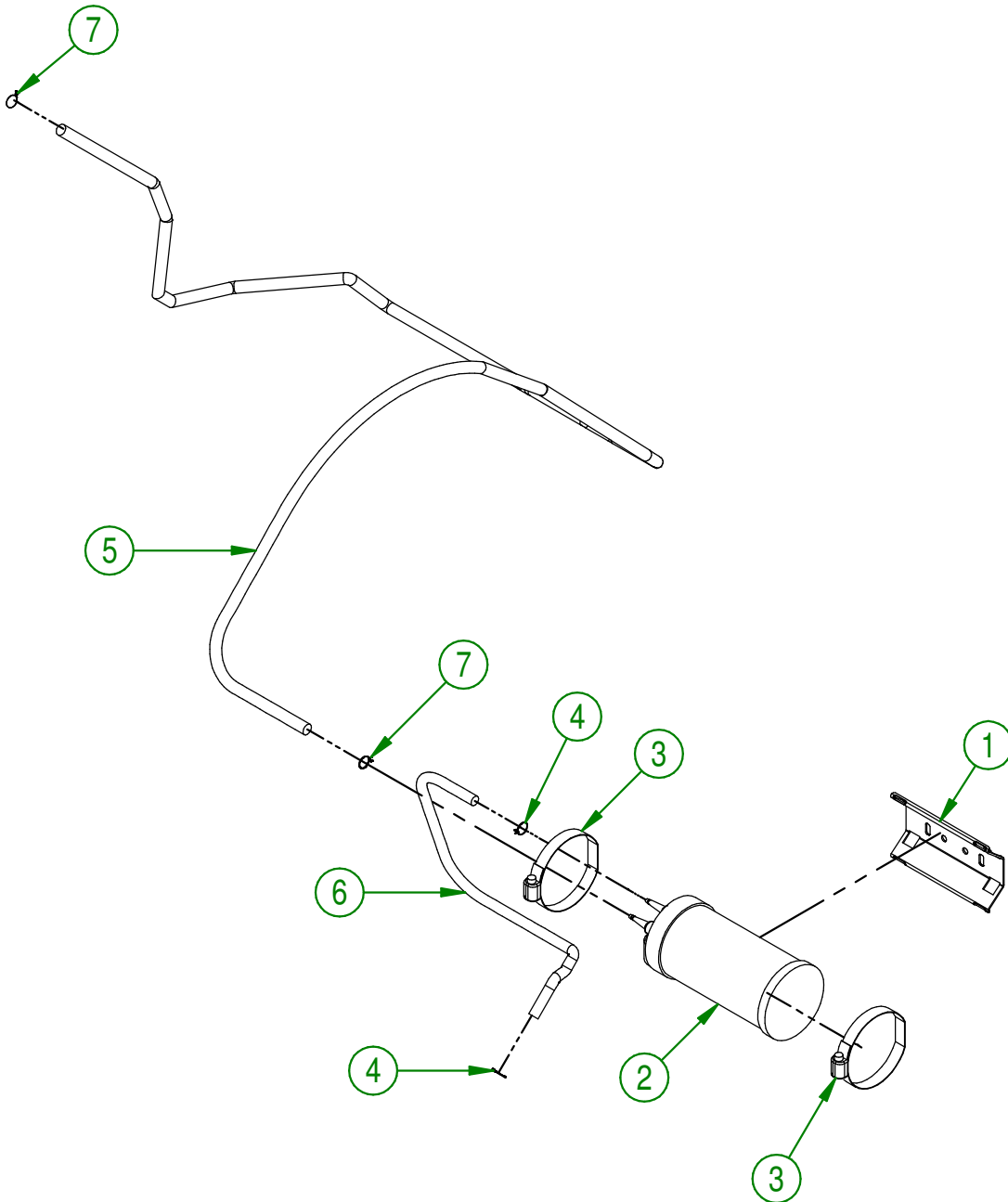
ASSEMBLY : **33-57-0136**  
AUTHOR : D. CHASSÉ

## 33-57-0136

#	PART #	QTY	TITLE
1	NC02-25-0009	9	WASHER ZINC 0.406 = 13/32
2	33-01-0370	2	ROTATION TRIGGER PLATE
3	NC01-04-0002	4	CARR. BOLT GR2 ZINC 1/4-20 X 5/8"
4	NC01-04-0109	6	CARR. BOLT GR2 ZINC 3/8-16 X 1"
5	NC01-93-0011	6	LOCK NUT 3/8-16
6	NC01-96-0009	45	NYLON-INSERT LOCKNUT ZINC 1/4-20
7	NC02-22-0008	4	WASHER ZINC 5/16"
8	33-55-0085	1	AIR INTAKE ASSY.
9	NC02-51-0080	3	SOCKET CAP SCREW T.RON 1/4-28 X 3/4"
10	33-21-0080	12	SPACER
11	33-55-0140	1	RIGHT LIMIT SWITCH & BEARING GUIDE ASSY.
12	33-55-0145	1	LEFT LIMIT SWITCH & BEARING GUIDE ASSY.
13	NC01-04-0006	12	CARR. BOLT GR2 ZINC 1/4-20 X 1 1/4"
14	33-55-0066	1	OUTLET SPROCKET
15	NC02-25-0007	2	WASHER ZINC 0.281 = 9/32
16	36-01-2430	3	FLAT WASHER 14GA X 17/64" I.D. X 13/16" O.D.
17	NC02-50-0069	3	SOCKET CAP SCREW T.RON 8-32 X 1"
18	33-50-2002	1	CROWN PINION
19	33-50-0555	3	WELD ASSEMBLY BEARING SUPPORT
20	33-21-0060	3	BEARING HOLDER
21	NC14-75-0068	3	BALL BEARING 99502H
22	NC01-17-0114	3	HEX. BOLT GR2 ZINC 3/8-16 X 1"
23	NC02-14-0019	3	FLANGE NUT HEX. NC 3/8-16 GR. B
24	33-35-0005	1	OUTLET MOTOR
25	33-21-0100	1	ENGINE CONVERSION PLATE
26	NC02-50-1072	3	SOCKET CAP SCREW M6 X 20mm
27	NC13-25-0233	1	VINYLE PROTECTOR COLLAR
28	NC14-75-0153	4	BALL BEARING R6 2RS 3/8" X 7/8" X 0.281"
29	33-25-2410	4	BEARING BUSHING
30	33-03-4605	4	BEARING SHIM 1/4" ALUMINUM
31	33-01-2425	4	BEARING HOLDER BRACKET
32	NC02-51-0578	4	SOCKET CAP SCREW T.RON. NF 1/4-28 X 1/2 STAINLESS
33	NC02-32-0010	4	LOCK WASHER ZINC 1/4"
34	NC01-96-0004	3	8-32 JAM NUT
35	33-57-0020	1	REGROUP. ENSEMBLE DE TURBINE (NEUF)

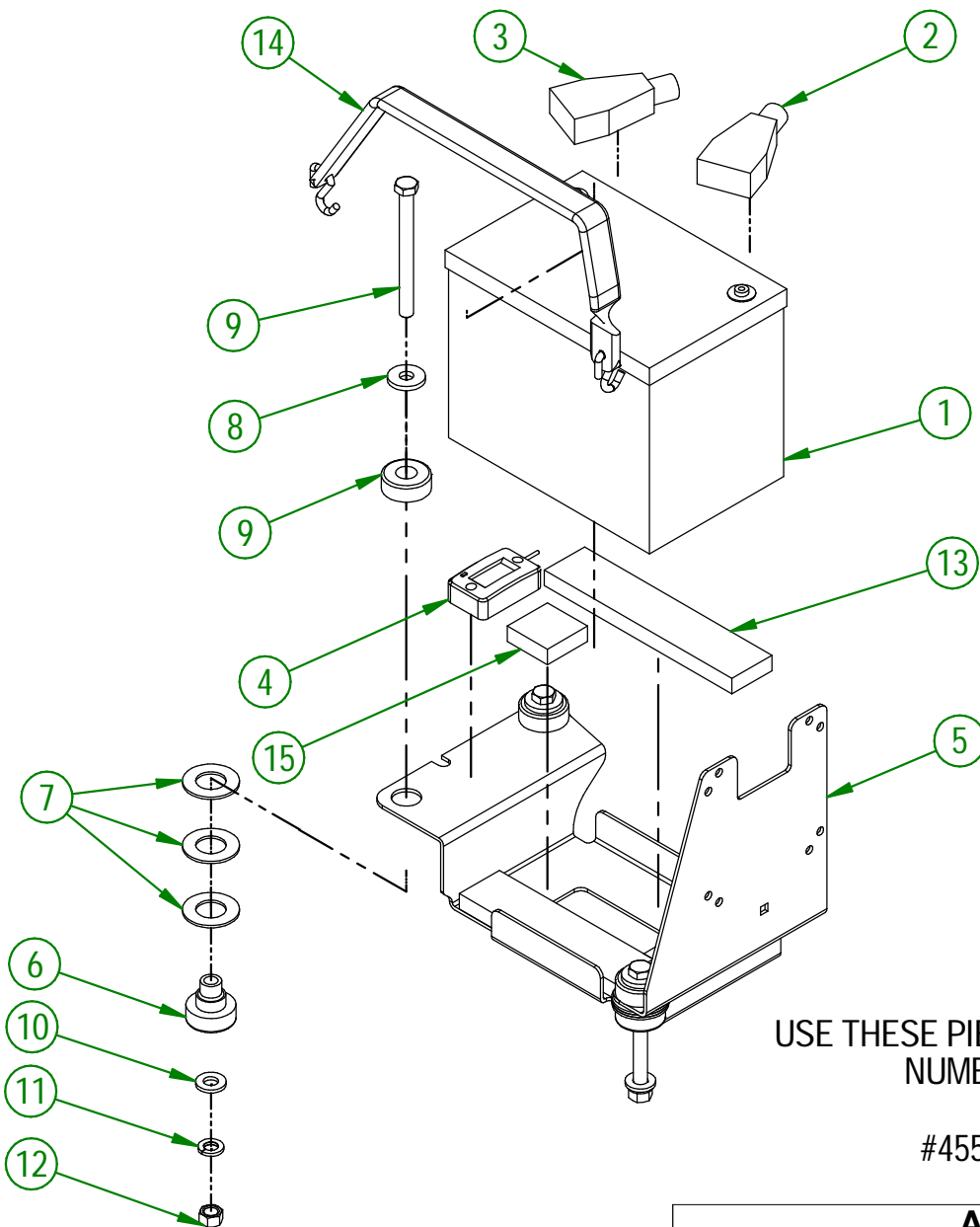
33-57-3520

#	PART #	Qty	TITLE
1	33-01-3210	1	CARBON CAN SUPPORT
2	NCI3-80-0258	1	6 GALLON GAS CARBONE CAN
3	NC01-65-0065	2	SNUG-FIT DAMPING LOOP CLAMP 2 5/16"- 3 1/4" HAS44
4	NC01-65-0201	2	SPRING -GRIP HOSE CLAMPS 1/2" O.D
5	33-46-0543	1	GAS HOSE EPA 7/16" DIA.X 3/16" D.I. X 71" EPA & CARB
6	33-46-0570	1	GAS HOSE 1/2" DIA.X 1/4" DI X 23" CARB (TB-270)
7	NCI3-80-0286	2	HOSE CLAMPS 3/16" ID X 7/16" OD X FOR NCI3-80-0285



<b>AGRIMETAL</b>	
<b>PARTS CARB GROUP (TB-270 IC)</b>	
CREATION : 17/09/18	ASSEMBLY : <b>33-57-3520</b>
REVISION : 18/09/18	AUTHOR : J.KABWE

#	PART #	Qty	TITLE
1	NCI3-12-0017	1	12 VOLTS GEL BATTERY
2	NCI3-80-0267	1	RED PROTECTOR FOR BATTERY POST
3	NCI3-80-0268	1	BLACK PROTECTOR FOR BATTERY POST
4	NCI3-37-0669	1	HOUR METER
5	33-57-2401	1	BATTERY SUPPORT PLATE "INCL. STICKER"
6	NCI3-15-0354	3	RED RUBBER BASE MOUNT
7	26-03-4800	9	WASHER
8	21-01-0950	3	FLAT WASHER 10GA 1.005" DIA X 25/64"
9	NC01-25-0126	3	HEX. BOLT GR5 ZINC 3/8-16 X 4"
10	NC02-25-0009	3	WASHER 0.406" I.D. X 0.815 O.D.
11	NC02-32-0012	3	LOCK WASHER ZINC 3/8"
12	NC02-07-0018	3	HEX. NUT ZINC 3/8-16
13	33-42-0130	2	BLACK ADHESIVE-BACK STRIP
14	NCI3-15-0008	1	RUBBER STRAP
15	33-42-0135	2	BLACK ADHESIVE-BACK STRIP



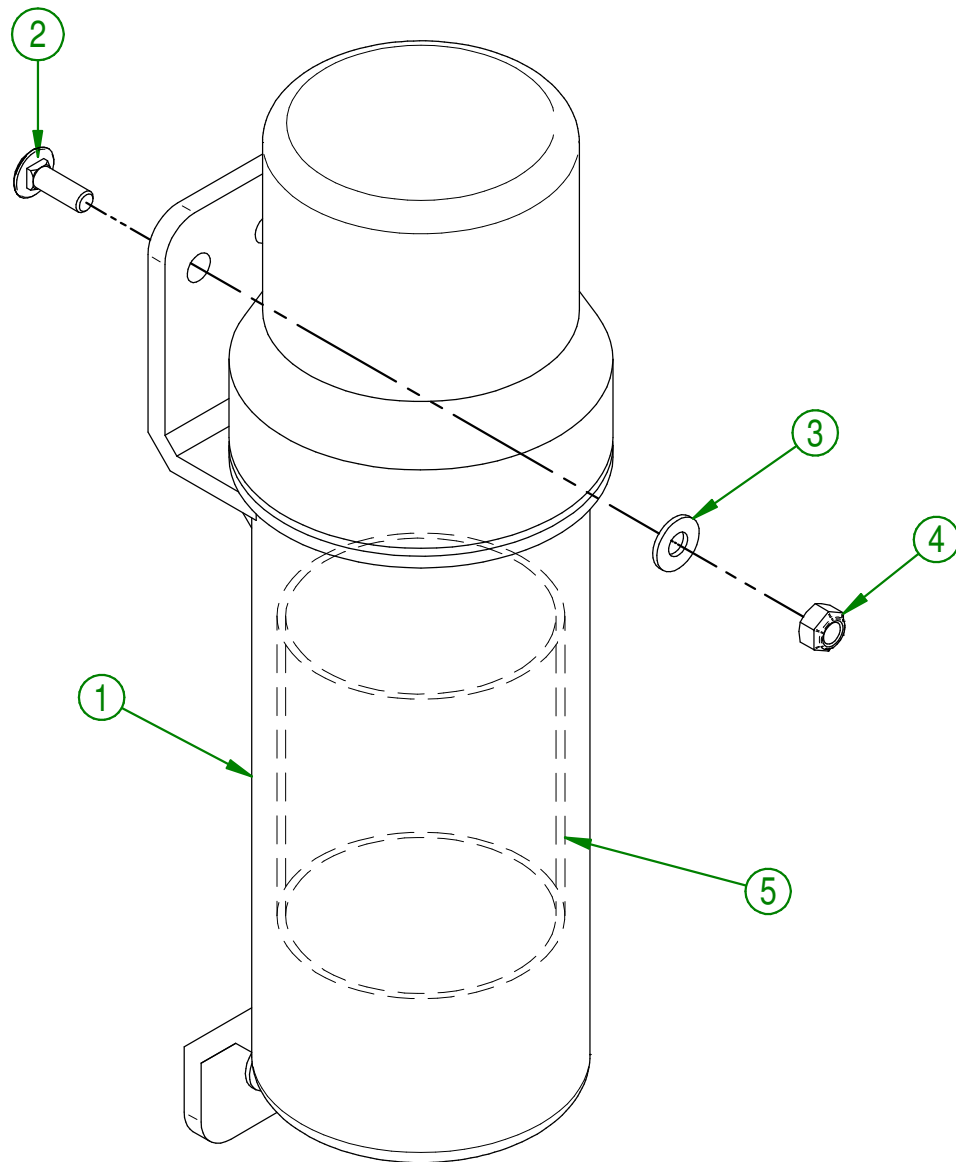
USE THESE PIECES ONLY IF YOUR SERIAL NUMBER IS AFFECTED:

#45503 AND ABOVE

<b>AGRIMETAL</b>	
12 VOLTS BATTERY GROUP.	
CREATION : 21/02/24	ASSEMBLY : <b>33-57-0170</b>
REVISION : 30/05/25	AUTHOR : D. CHASSÉ

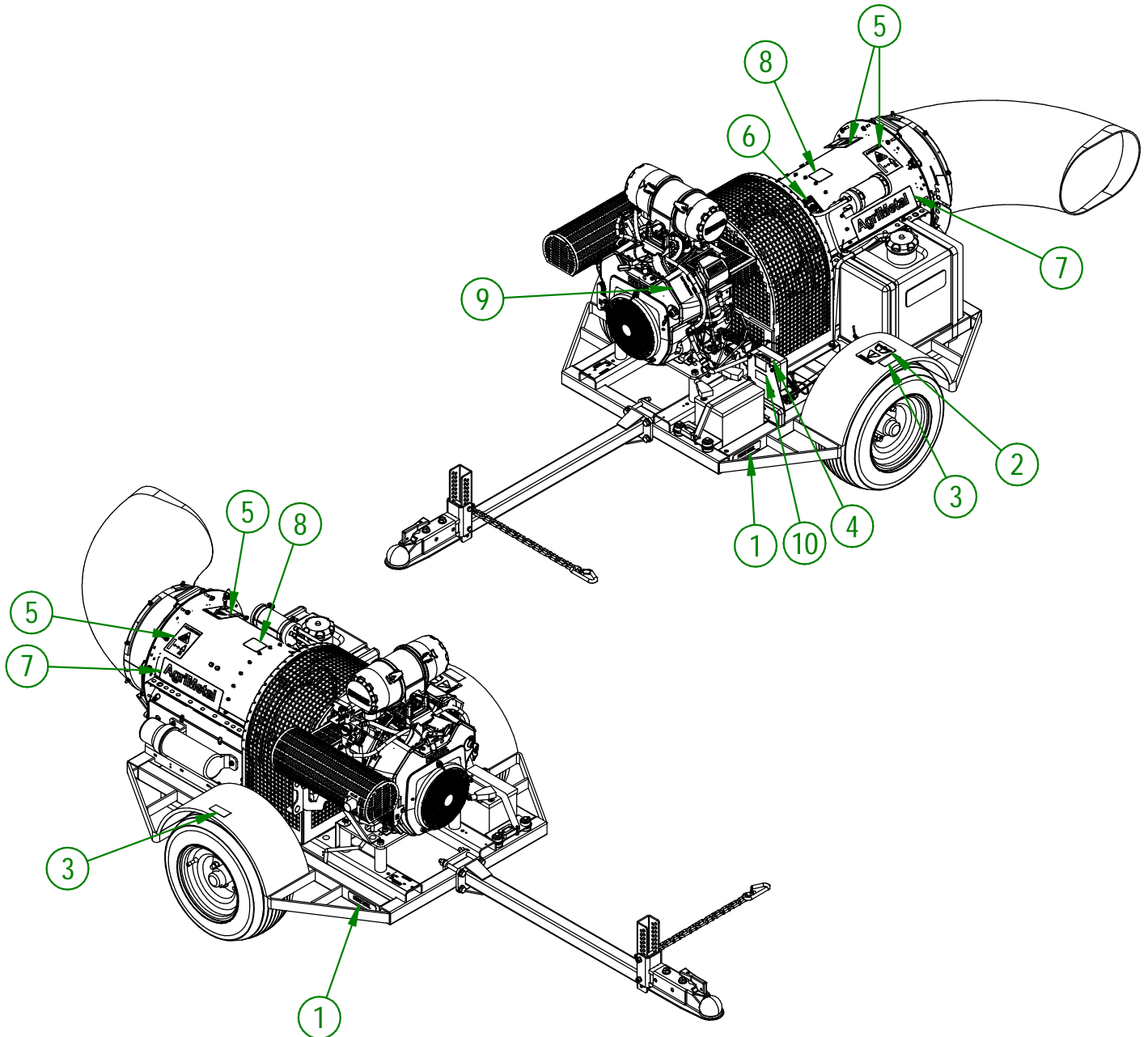
33-57-2566

#	# DE PIÈCE	QTÉ	TITRE
1	NCI3-30-0237	1	TUBE ROND POUR MANUEL D'OPÉRATION
2	NC01-04-0003	3	BOULON CARR. GR2 NC ZINC 1/4-20 X 3/4" LG
3	NC02-25-0007	3	RONDELLE ACIER SAE ZINC 0.281 = 9/32
4	NC01-96-0009	3	ÉCROU HEX. BLOC NYLON NC Z 1/4-20
5	33-98-0621	1	MANUEL D'OPERATION TB 270



<b>AGRIMETAL</b>	
<b>REGROUP. MANUEL D'OPERATION</b>	
CREATION : 14/02/18	ASSEMBLY : <b>33-57-2566</b>
REVISION : 05/10/18	AUTHOR : J.KABWE

#	PART #	QTY	TITLE
1	NCI3-33-0052	2	STICKER FRAME LEVEL
2	NCI3-33-0183	1	STICKER CAUTION OPERATION MANUAL
3	NCI3-33-2675	2	STICKER TO INFLATE TIRE
4	NCI3-33-0227	1	STICKER FUSE 15 AMP MAXIMUM
5	NCI3-33-0192	4	STICKER (PROJECTION RISK)
6	NCI3-33-0185	2	STICKER PICTOGRAM (FIRE + CIGARETTE)
7	NCI3-33-0035	4	STICKER AGRIMETAL
8	NCI3-33-0129	2	STICKER 101 DB
9	NCI3-33-0178	1	STICKER IMPORTANT PLEASE CHECK OIL LEVEL...
10	NCI3-33-2674	2	STICKER TO PROGRAM REMOTE CONTROL

**AGRIMETAL****TURBINE BLOWER 270 IC-3 CARB**

CREATION : 09/07/25  
 REVISION : 09/07/25

ASSEMBLY : **33-99-2615**  
 AUTHOR : J. Houle