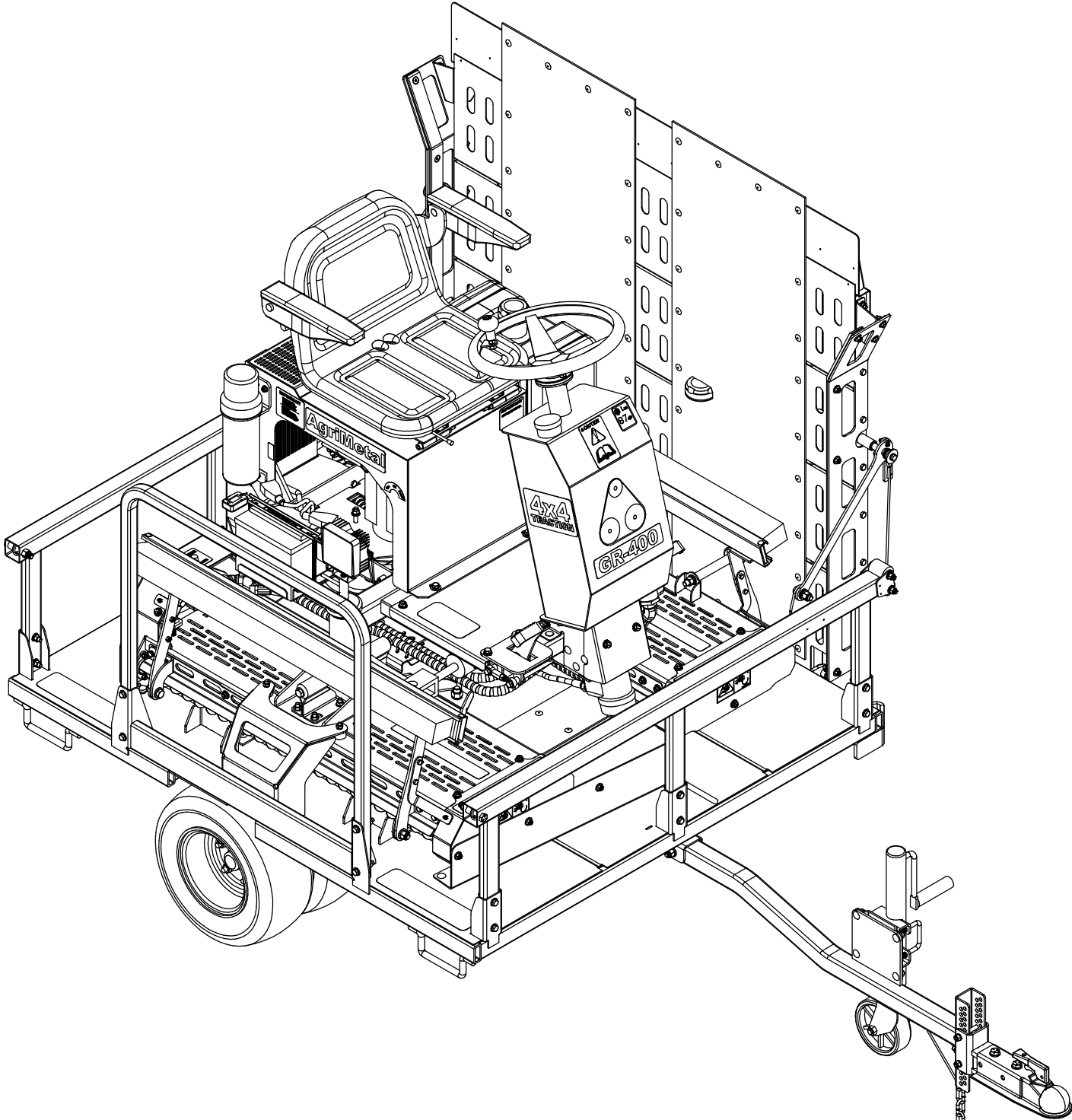
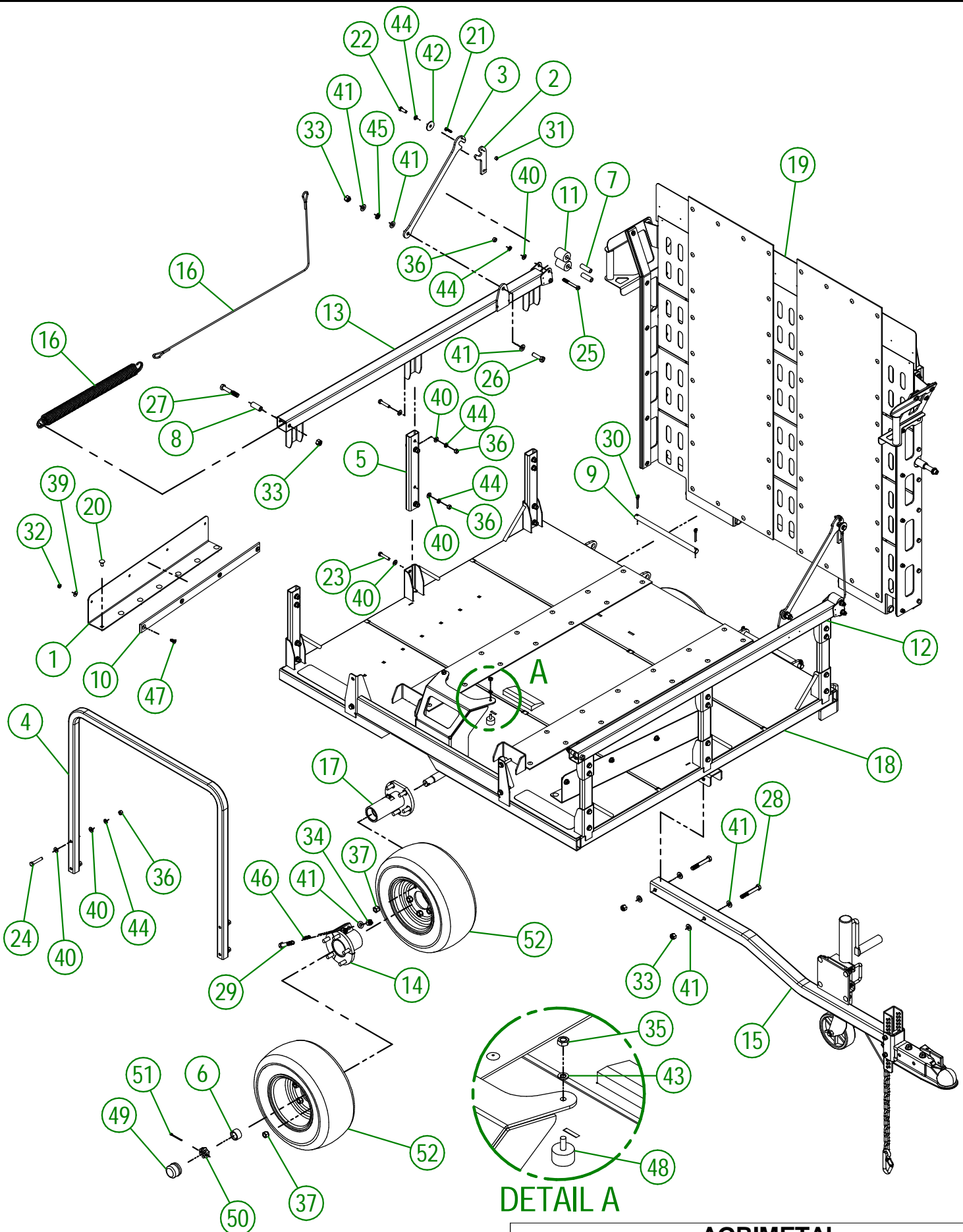


AgriMetal

PARTS LIST



GR 400-H (13HP HONDA)(4 WHEELS)



AGRIMETAL	
TRAILER (4 WHEELS)	
CREATION : 10/02/26	ASSEMBLY : 39-55-0524
REVISION : 20/03/26	AUTHOR : N. GOULET

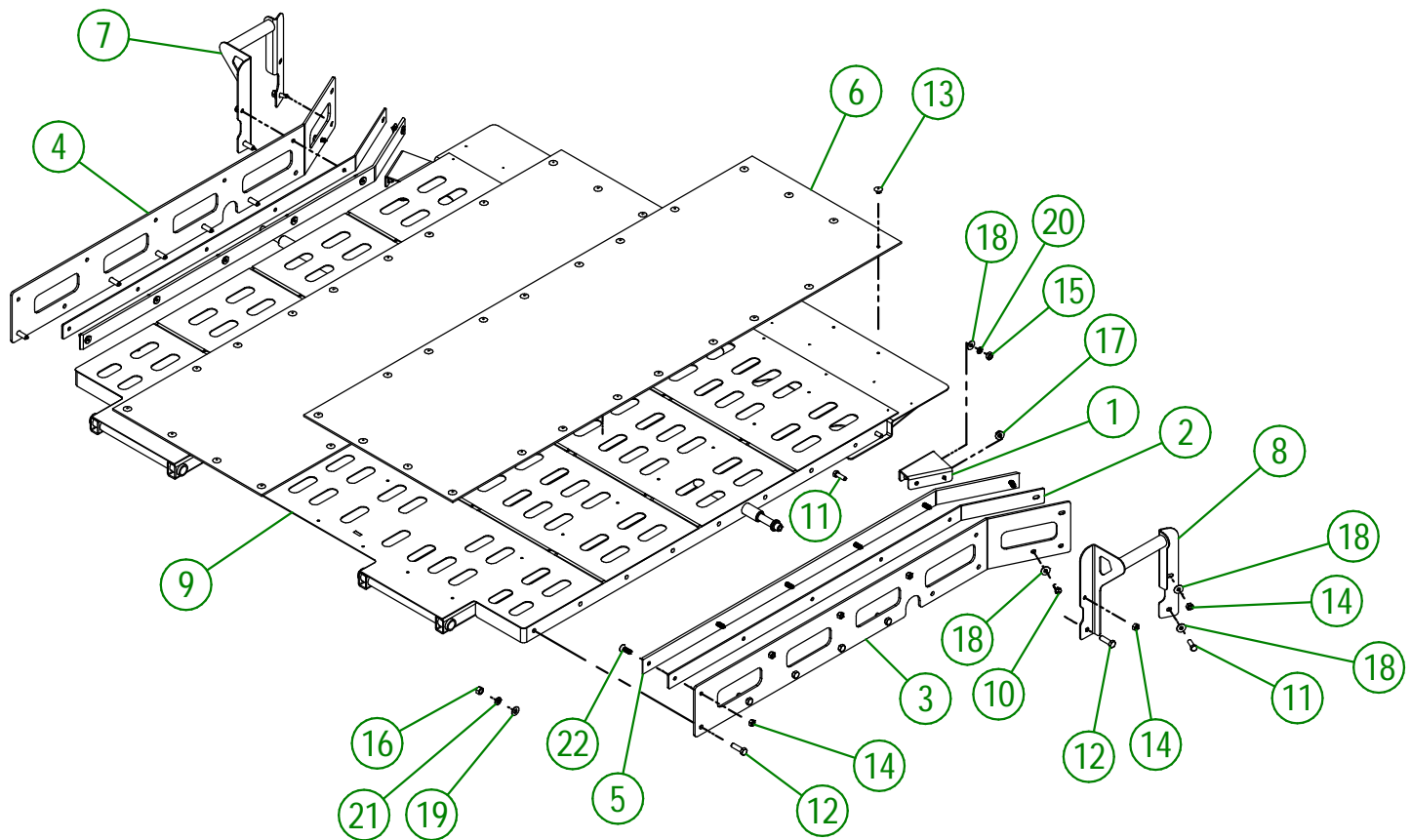
39-55-0524

#	PART #	Qty	TITLE
1	39-01-0439	2	POSITIONING GUIDE
2	39-04-0360	2	DOOR LOCK
3	39-04-1196	2	RAMP LOCK
4	39-07-0036	1	RAMP TUBE
5	39-08-0032	6	RAMP SPRING SUPPORT TUBE
6	39-09-0070	2	WHEEL AXLE RING
7	39-09-0080	4	CABLE PULLEY BUSHING
8	39-09-0110	2	RAMP SPRING BUSHING
9	39-13-0655	2	PIVOT RAMP
10	39-42-0156	2	SLIDER
11	39-42-1030	4	RAMP CABLE PULLEY
12	39-50-1136	1	RAMP SPRING SUPPORT
13	39-50-1141	1	RAMP SPRING SUPPORT
14	39-55-0180	2	WHEEL HUB
15	39-55-0313	1	PRE-ASSEM. TONGUE
16	39-55-0680	2	CABLE AND SPRING PRE-ASS.
17	39-55-1105	2	WHEEL HUB ASS'Y
18	39-57-0525	1	TRAILER (4 WHEELS)
19	39-57-0720	1	TRAILER RAMP
20	NC01-07-0107	14	CARR. BOLT GR5 ZINC 3/8-16 X 3/4"
21	NC01-25-0006	2	HEX. BOLT GR5 1/4-20 X 1"
22	NC01-25-0114	2	HEX. BOLT GR5 ZINC 3/8-16 X 1"
23	NC01-25-0117	24	HEX. BOLT GR5 ZINC 3/8-16 X 1 3/4" LG
24	NC01-25-0118	4	HEX. BOLT GR5 NC ZINC 3/8-16 X 2"
25	NC01-25-0122	4	HEX. BOLT GR5 ZINC 3/8-16 X 3"
26	NC01-25-0250	2	HEX. BOLT GR5 ZINC 1/2-13 X 1 3/4"
27	NC01-25-0255	4	HEX BOLT GR5 ZINC 1/2-13 X 3" LG.
28	NC01-25-0257	2	HEX. BOLT GR5 ZINC 1/2-13 X 3 1/2"
29	NC01-29-0253	4	HEX. BOLT GR5 ZINC 1/2-20 X 2 1/2"
30	NC01-69-0180	4	COTTER PIN 1/4 X 1 3/4"
31	NC01-93-0001	2	HEX. LOCK NUT NC ZINC 1/4-20
32	NC01-93-0010	8	LOCK NUT ZINC 5/16-18
33	NC01-96-0014	6	NYLON-INSERT LOCKNUT ZINC 1/2-13
34	NC01-97-0008	4	HEX. LOCK NUT NYLO. NF Z 1/2-20
35	NC02-07-0017	2	HEX. NUT 5/16-18
36	NC02-07-0018	32	HEX. NUT ZINC 3/8-16
37	NC02-12-0005	20	HEX. NUT ZINC 1/2-20
38	NC02-14-0019	14	FLANGE NUT HEX. NC 3/8-16 GR. B
39	NC02-22-0008	8	WASHER ZINC 5/16"
40	NC02-25-0009	60	FLAT WASHER 14 GA X 13/16"OD X 25/64" ID
41	NC02-25-0011	14	WASHER SAE ZINC 17/32 ID
42	NC02-26-0504	2	WASHER
43	NC02-32-0011	2	LOCK WASHER ZINC 5/16"
44	NC02-32-0012	34	LOCK WASHER ZINC 3/8"
45	NC02-32-0014	2	LOCK WASHER ZINC 1/2"
46	NC02-44-0124	2	3/8-16 X 1 1/2 SET SCREW

39-55-0524

#	PART #	Qty	TITLE
47	NC02-48-0020	8	SOCKET HEAD SCREW 6 P.C. 5/16-20 X 3/4"
48	NC13-15-0034	2	RUBBER ABSORBER
49	NC14-70-0092	2	DUST GUARD
50	NC14-70-0310	2	SLOTTED NUT 1-14
51	NC14-70-0311	2	COTTER PIN ZINC 5/32" X 2"
52	NC14-70-0644	4	16.5 X 6.5 WHEEL

#	PART #	QTY	TITLE
1	39-01-0660	2	RAMP GUIDE REINFORCEMENT
2	39-01-0665	2	SHIM OF RAMP GUIDE SLIDE
3	39-04-1280	1	RAMP GUIDE
4	39-04-1283	1	RAMP GUIDE
5	39-42-0158	2	RAMP GUIDE SLIDE
6	39-42-0283	2	TRAILER RUBBER
7	39-50-0451	1	RAMP HANDLE BACK
8	39-50-0460	1	RAMP HANDLE FRONT
9	39-50-0813	1	TRAILER RAMP
10	NC01-25-0058	2	HEX BOLT GR5 ZINC PLATED 5/16-18 X 3/4"
11	NC01-25-0060	6	HEX. BOLT GR5 ZINC 5/16-18 X 1"
12	NC01-25-0115	14	HEX. BOLT GR5 ZINC 3/8-16 X 1 1/4"
13	NC01-78-0299	44	RIVETS AC. AV. SUPR. TI. AC. .187 X .515 CAP. RIVET .270
14	NC01-93-0010	12	LOCK NUT ZINC 5/16-18
15	NC02-07-0017	4	HEX. NUT 5/16-18
16	NC02-07-0018	14	HEX. NUT ZINC 3/8-16
17	NC02-14-0006	4	HEX. NUT SPECIAL FLANGET NC 5/16-18 B GRADE
18	NC02-22-0008	10	WASHER ZINC 5/16"
19	NC02-25-0009	14	FLAT WASHER 14 GA X 13/16"OD X 25/64" ID
20	NC02-32-0011	4	LOCK WASHER ZINC 5/16"
21	NC02-32-0012	14	LOCK WASHER ZINC 3/8"
22	NC02-48-0021	12	FLAT HEAD SOCKET CAP SCREW 5/16-18 X 1"



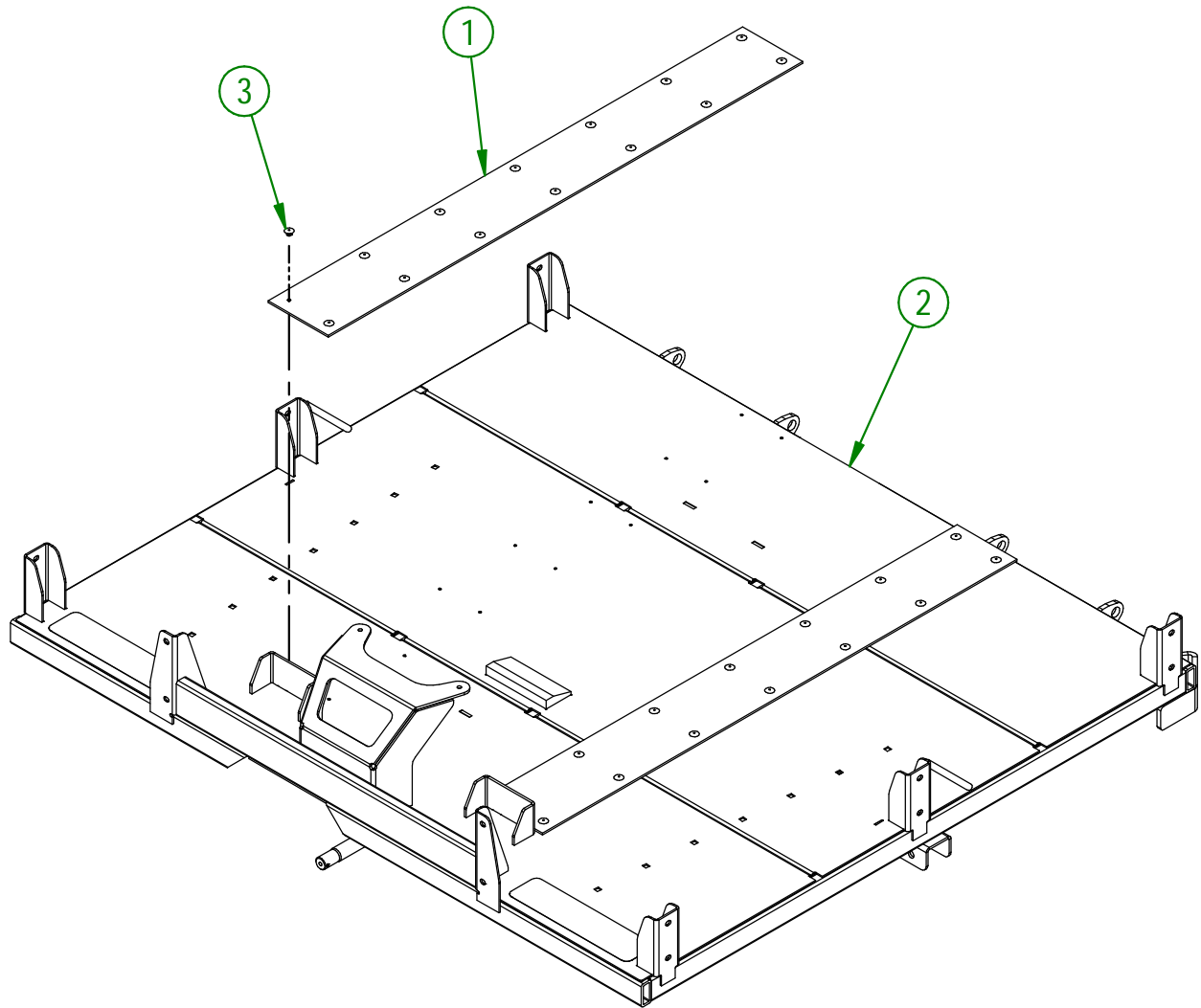
AGRIMETAL
TRAILER RAMP

CREATION : 20/03/26
REVISION : 20/03/26

ASSEMBLY : **39-57-0720**
AUTHOR : N. GOULET

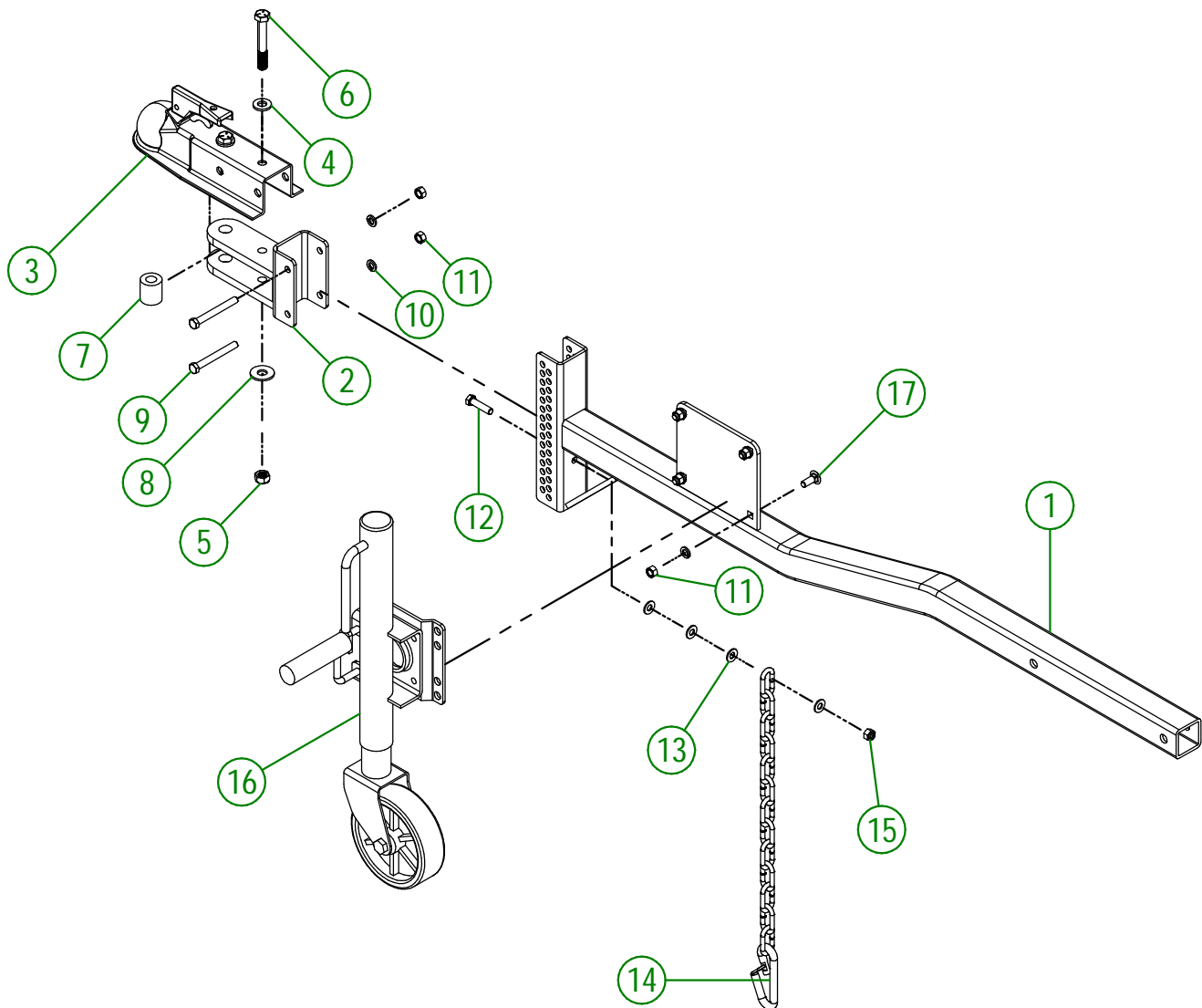
39-57-0525

#	PART #	Qty	TITLE
1	39-42-0255	2	TRAILER RUBBER
2	39-57-0560	1	TRAILER WITH STICKERS
3	NC01-78-0299	28	RIVETS AC. AV. SUPR. TI. AC. .187 X .515 CAP. RIVET .270



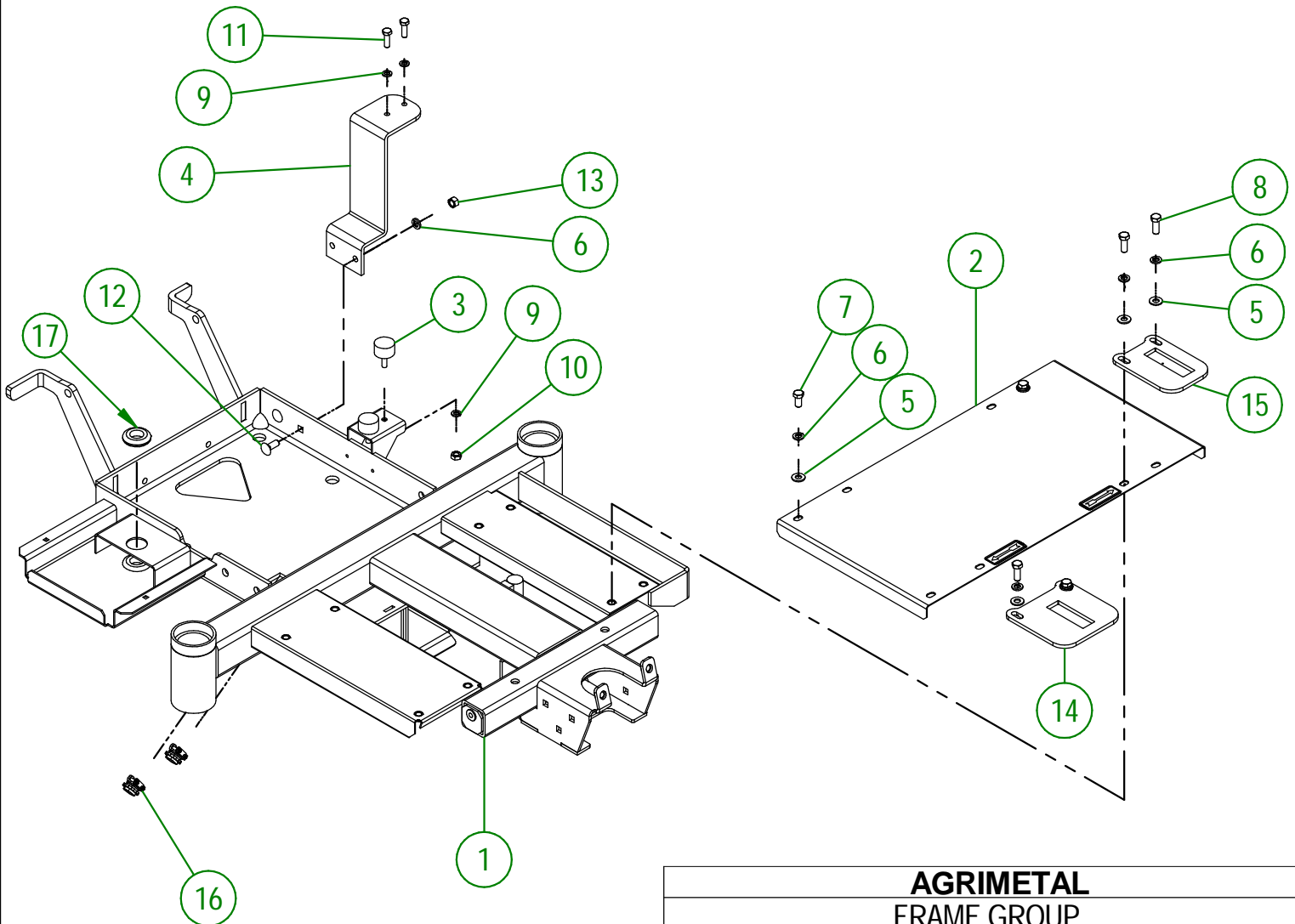
AGRIMETAL	
TRAILER (4 WHEELS)	
CREATION : 04/02/26	ASSEMBLY : 39-57-0525
REVISION : 24/03/26	AUTHOR : N. GOULET

#	PART #	Qty	TITLE
1	39-50-0326	1	TRAILER TONGUE
2	23-50-0045	1	HITCH HAND
3	NC13-80-0290	1	2" HITCH BALL COUPLER
4	NC02-25-0011	2	WASHER SAE ZINC 17/32 ID
5	NC01-93-0014	2	LOCK NUT ZINC 1/2-13
6	NC01-25-0257	2	HEX. BOLT GR5 ZINC 1/2-13 X 3 1/2"
7	23-09-0100	1	HITCH SPACER
8	NC02-22-0012	2	WASHER ZINC 1/2 BOLT = 9/16"Ø X 1 3/8" OD
9	NC01-17-0123	2	HEX. BOLT GR2 ZINC 3/8-16 X 3 1/4"
10	NC02-32-0012	6	LOCK WASHER ZINC 3/8"
11	NC02-07-0018	6	HEX. NUT ZINC 3/8-16
12	NC01-17-0116	1	HEX. BOLT GR2 ZINC 3/8-16 X 1 1/2"
13	NC02-22-1010	4	3/8" ZINC PLATED WASHER
14	55-41-0000	1	SAFETY CHAIN
15	NC01-96-0011	1	NYLON NUT 3/8-16
16	39-55-0330	1	ADJUSTABLE WHEEL CRUTCH
17	NC01-04-0109	4	CARR. BOLT GR2 ZINC 3/8-16 X 1"



AGRIMETAL	
PRE-ASSEM. TONGUE	
CREATION : 12/02/20	ASSEMBLY : 39-55-0313
REVISION : 05/11/24	AUTHOR : D. Bevins

#	PART #	Qty	TITLE
1	39-50-0503	1	FRAME
2	39-57-0125	1	FOOTBOARD "STICKER INCLUDED"
3	NC13-15-0034	2	RUBBER ABSORBER
4	39-50-0020	1	OIL FILTER HOLDER
5	01-01-2485	6	FLAT WASHER 14 GA X 13/16"OD X 25/64" ID
6	NC02-32-0012	8	LOCK WASHER ZINC 3/8"
7	NC01-17-0112	2	HEX. BOLT GR2 ZINC 3/8-16 X 3/4"
8	NC01-17-0114	4	HEX. BOLT GR2 ZINC 3/8-16 X 1"
9	NC02-32-0011	4	LOCK WASHER ZINC 5/16"
10	NC02-07-0017	2	HEX. NUT 5/16-18
11	NC01-17-0060	2	HEX. BOLT GR2 ZINC 5/16-18 X 1"
12	NC01-04-0109	2	CARR. BOLT GR2 ZINC 3/8-16 X 1"
13	NC02-07-0018	2	HEX. NUT ZINC 3/8-16
14	39-04-0186	1	STOPPER PLATE FOR PEDAL (RIGHT)
15	39-04-0188	1	STOPPER PLATE FOR PEDAL (LEFT)
16	NC13-25-0378	2	WHITE METAL CONNECTOR
17	NC13-15-0014	2	RUBBER WIRE WASHER



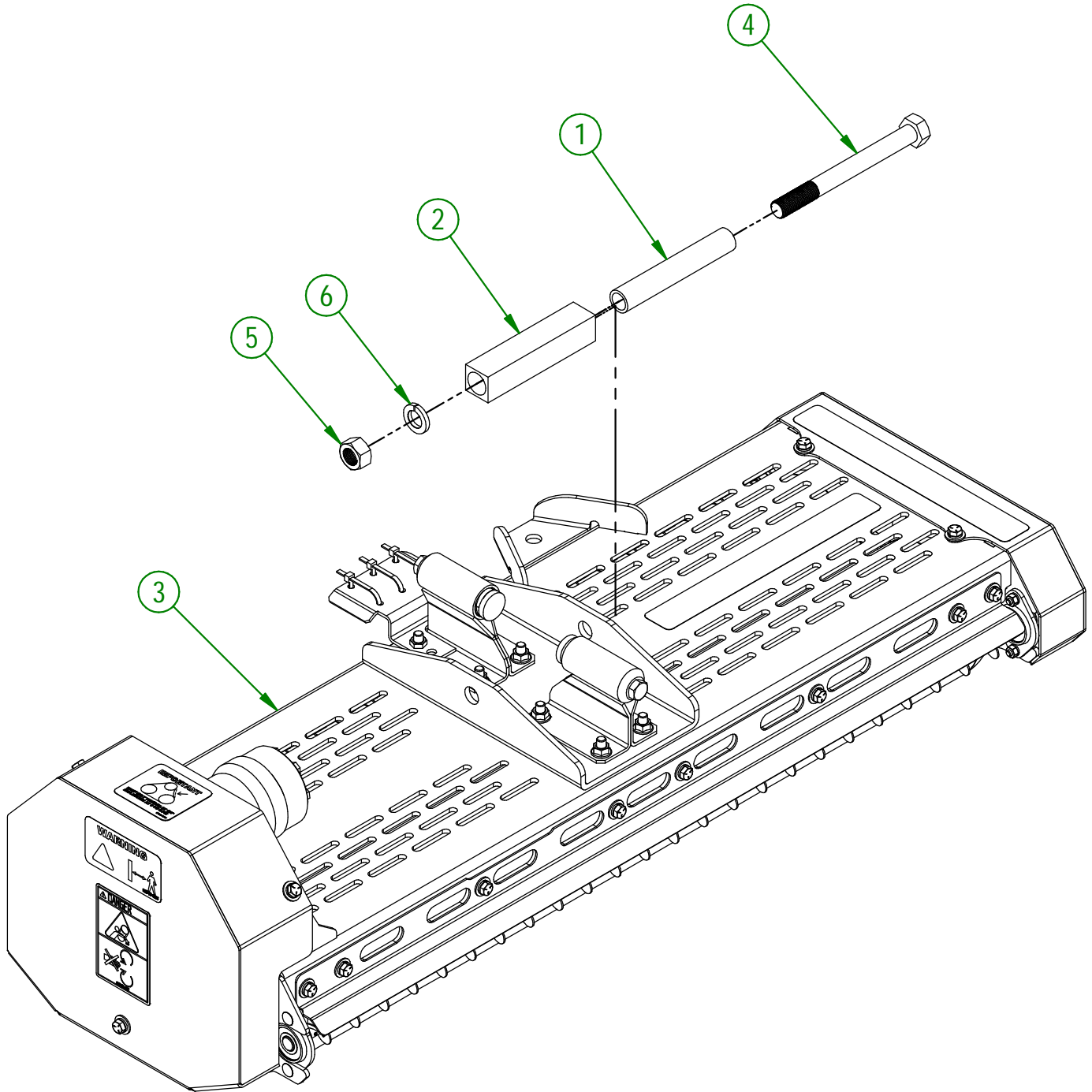
AGRIMETAL
FRAME GROUP

CREATION : 12/03/24
REVISION : 12/03/24

ASSEMBLY : **39-57-0503**
AUTHOR : J. Houle

39-57-0660

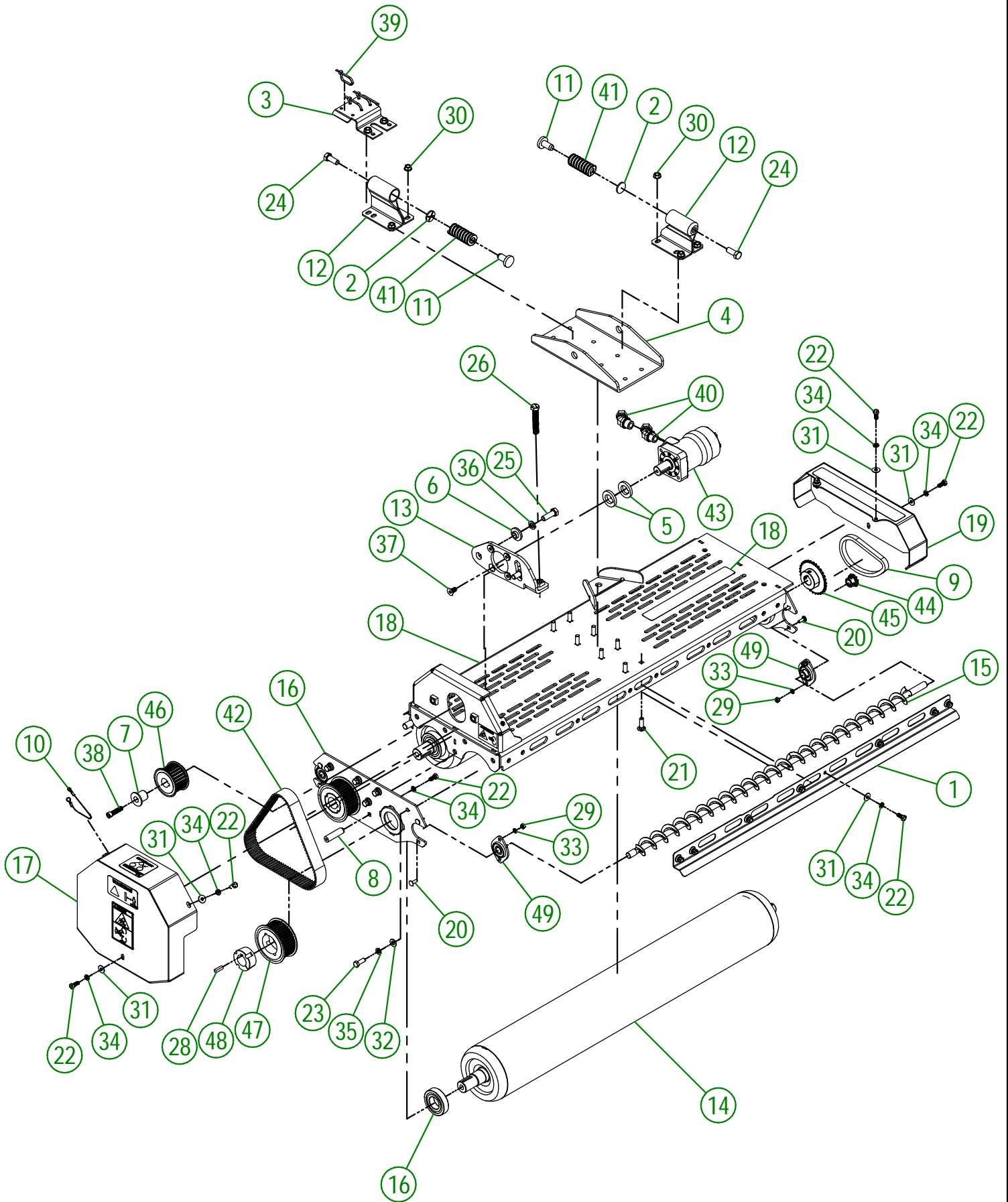
#	PART #	Qty	TITLE
1	39-09-1207	1	BUSHING
2	39-42-0703	1	PIVOTING BLOCK
3	39-55-0660	1	RIGHT FRONT ROLLER
4	NC01-37-0484	1	HEX BOLT. GR8 NF ZINC 3/4-16 X 7 1/2"
5	NC02-11-0023	1	NUT 3/4-16
6	NC02-32-0017	1	LOCK WASHER ZINC 3/4"



AGRIMETAL
RIGHT ROLLER GROUP

CREATION : 12/03/26
 REVISION : 12/03/26

ASSEMBLY : **39-57-0660**
 AUTHOR : N. GOULET



AGRIMETAL
RIGHT FRONT ROLLER

CREATION : 29/01/26
 REVISION : 29/01/26

ASSEMBLY : **39-55-0660**
 AUTHOR : N. GOULET

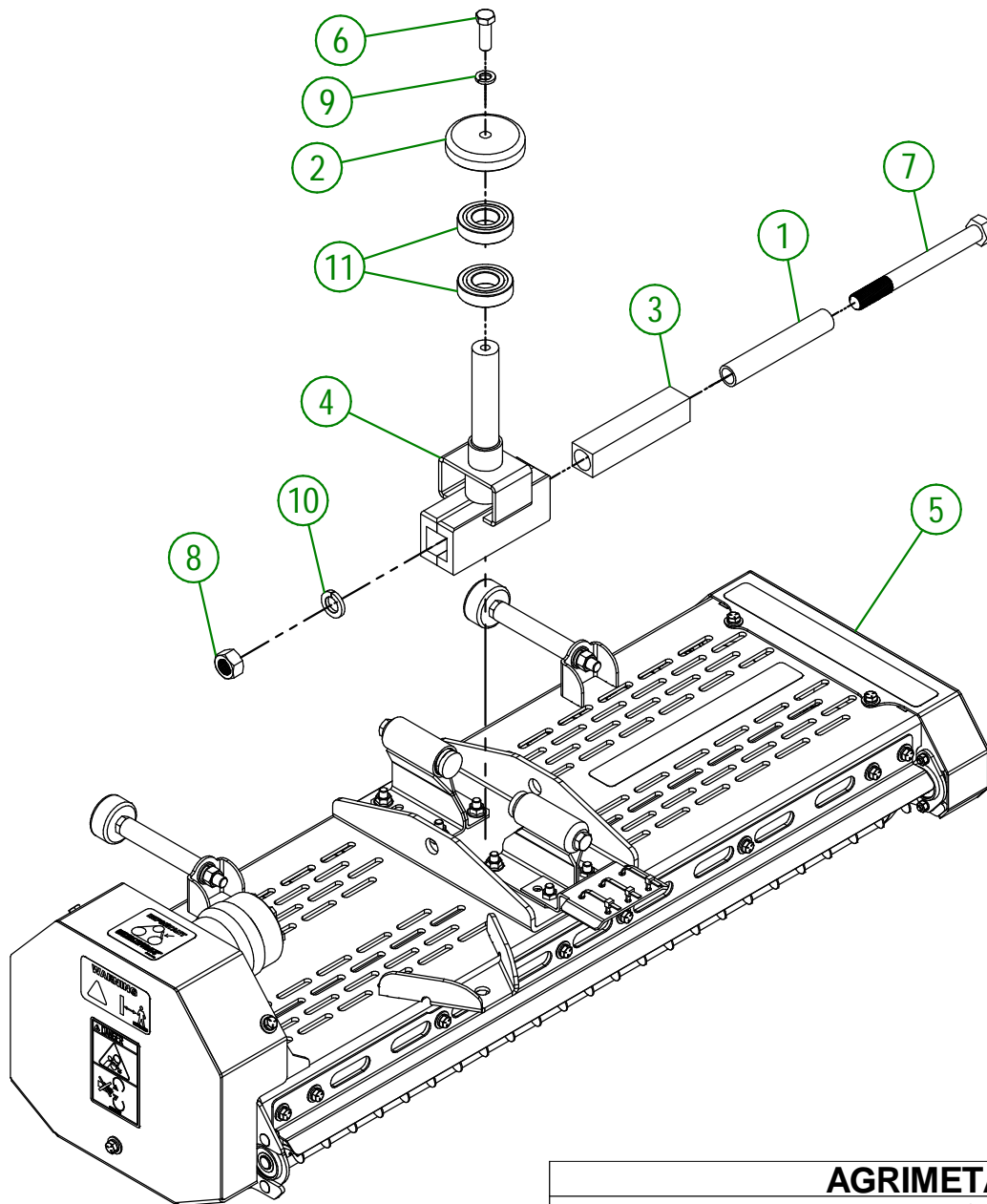
39-55-0660

#	PART #	Qty	TITLE
1	39-01-0575	2	BRUSH GUARD
2	39-01-1000	2	SPRING GUIDE WASHER
3	39-01-1051	1	HYDRAULIC HOSE SUPPORT
4	39-04-0227	1	ROLLER SUPPORT
5	39-04-0660	2	PULLEY SPACER
6	39-13-0060	2	GUIDE WASHER
7	39-13-0300	1	PULLEY RETAINER
8	39-13-0411	2	GUARD SUPPORT
9	39-37-0010	2	ROLLER BRUSH CHAIN 15 3/4" LG.
10	39-41-0000	1	BELT GUARD CABLE
11	39-42-0100	2	SPRING TIP
12	39-50-0045	2	SPRING GUIDE
13	39-50-0167	1	BELT TENSIONER
14	39-50-1596	2	ROLLER
15	39-55-0705	2	ROLLER BRUSH
16	39-55-1051	2	ROLLER BEARING SUPPORT
17	39-57-0064	1	BELT GUARD "STICKER INCL."
18	39-57-0183	1	ROLLER HOUSING RIGHT
19	39-57-0433	1	ROLLER DRIVE GUARD
20	NC01-07-0003	8	CARR. BOLT GR5 ZINC 1/4-20 X 3/4"
21	NC01-07-0110	8	CARR. BOLT GR5 ZINC 3/8-16 X 1 1/4"
22	NC01-25-0058	24	HEX BOLT GR5 ZINC PLATED 5/16-18 X 3/4"
23	NC01-25-0114	10	HEX. BOLT GR5 ZINC 3/8-16 X 1"
24	NC01-25-0248	2	HEX. BOLT GR5 ZINC 1/2-13 X 1 1/4"
25	NC01-25-0249	2	HEX. BOLT GR5 ZINC 1/2-13 X 1 1/2" LG
26	NC01-25-0566	1	FULL THREAD HEX BOLT GR5 ZINC 1/2-13 X 3"
27	NC01-64-0005	2	OVAL SLEEVE (ALUMINUM)
28	NC01-65-0095	2	SQUARE KEY 1/4" X 1"
29	NC02-07-0016	8	HEX. NUT NC ZINC 1/4-20
30	NC02-14-0019	8	FLANGE NUT HEX. NC 3/8-16 GR. B
31	NC02-22-0008	24	WASHER ZINC 5/16"
32	NC02-25-0009	10	WASHER 0.406" I.D. X 0.815 O.D.
33	NC02-32-0010	8	LOCK WASHER ZINC 1/4"
34	NC02-32-0011	24	LOCK WASHER ZINC 5/16"
35	NC02-32-0012	10	LOCK WASHER ZINC 3/8"
36	NC02-32-0014	2	LOCK WASHER ZINC 1/2"
37	NC02-48-0031	4	SOCKET HEAD CAP SCREW 3/8-16 X 3/4"
38	NC02-50-0033	1	SOCKET HEAD SCREW 3/8-16 X 1 1/2"
39	NC13-25-0019	3	NYLON CABLE TIE
40	NC13-45-0046	2	45°-7/8-14 MALE O RING X 1/2 FEM.TOUR.NPT PT
41	NC13-86-0159	2	RED SPRING 1 1/4"OD X 5/8"ID X 2" LG
42	NC14-25-5381	1	SYNCHROCHAIN POLY BELT
43	NC14-45-0041	1	100cc HYDRAULIC MOTOR
44	NC14-55-0345	2	GEAR 35B10
45	NC14-55-0346	2	GEAR 35B30
46	NC14-60-0013	1	38-C8M-36 STEEL PULLEY

39-55-0660

#	PART #	Qty	TITLE
47	NCI4-60-0014	2	38-C8M-36 STEEL PULLEY
48	NCI4-60-0015	2	TAPER LOCK 1610 X 1 1/4"
49	NCI4-75-0181	4	SBPFL 202-10 5/8"ID BEARING

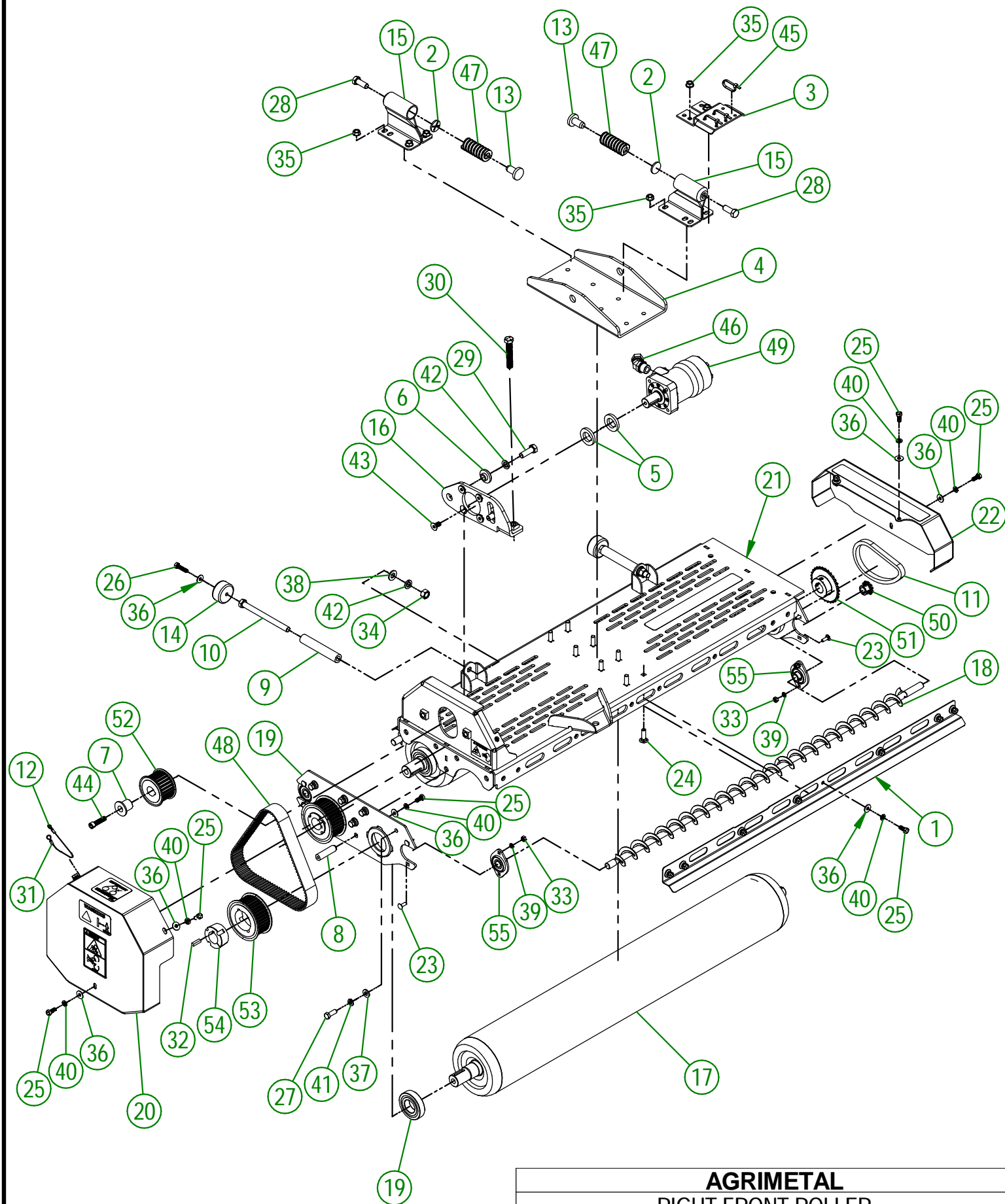
#	PART #	Qty	TITLE
1	39-09-1207	1	BUSHING
2	39-21-0000	1	STEERING PLATE SHAFT COVER
3	39-42-0703	1	PIVOTING BLOCK
4	39-50-0573	1	LEFT PIVOT TRAILER
5	39-55-0670	1	RIGHT FRONT ROLLER
6	NC01-25-0249	1	HEX. BOLT GR5 ZINC 1/2-13 X 1 1/2" LG
7	NC01-37-0484	1	HEX BOLT. GR8 NF ZINC 3/4-16 X 7 1/2"
8	NC02-11-0023	1	NUT 3/4-16
9	NC02-32-0014	1	LOCK WASHER ZINC 1/2"
10	NC02-32-0017	1	LOCK WASHER ZINC 3/4"
11	NC14-75-0091	2	BALL BEARING 6202 ZZ



AGRIMETAL
LEFT ROLLER GROUP

CREATION : 29/01/26
REVISION : 29/01/26

ASSEMBLY : **39-57-0663**
AUTHOR : N. GOULET



AGRIMETAL
RIGHT FRONT ROLLER

CREATION : 03/02/26
 REVISION : 03/02/26

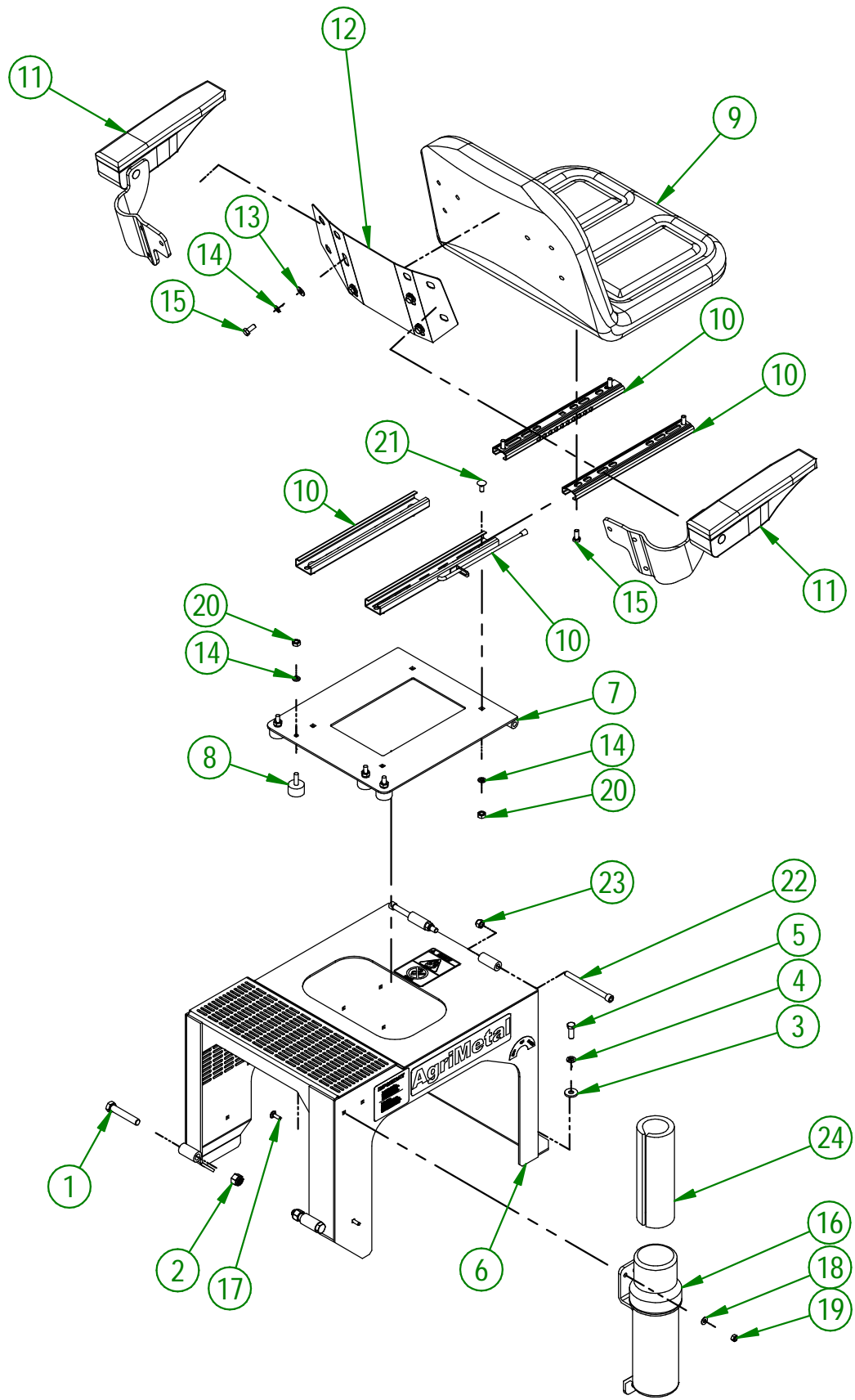
ASSEMBLY : **39-55-0670**
 AUTHOR : N. GOULET

39-55-0670

#	PART #	Qty	TITLE
1	39-01-0575	2	BRUSH GUARD
2	39-01-1000	2	SPRING GUIDE WASHER
3	39-01-1051	1	HYDRAULIC HOSE SUPPORT
4	39-04-0227	1	ROLLER SUPPORT
5	39-04-0660	2	PULLEY SPACER
6	39-13-0060	2	GUIDE WASHER
7	39-13-0300	1	PULLEY RETAINER
8	39-13-0411	2	GUARD SUPPORT
9	39-21-0035	2	RAMP STOP SPACER
10	39-30-9959	2	RAMP STOP SPACER
11	39-37-0010	2	ROLLER BRUSH CHAIN 15 3/4" LG.
12	39-41-0000	1	BELT GUARD CABLE
13	39-42-0100	2	SPRING TIP
14	39-42-0165	2	RETAINER
15	39-50-0045	2	SPRING GUIDE
16	39-50-0167	1	BELT TENSIONER
17	39-50-1596	2	ROLLER
18	39-55-0705	2	ROLLER BRUSH
19	39-55-1051	2	ROLLER BEARING SUPPORT
20	39-57-0064	1	BELT GUARD "STICKER INCL."
21	39-57-0173	1	ROLLER HOUSING FRONT RIGHT
22	39-57-0433	1	ROLLER DRIVE GUARD
23	NC01-07-0003	8	CARR. BOLT GR5 ZINC 1/4-20 X 3/4"
24	NC01-07-0110	8	CARR. BOLT GR5 ZINC 3/8-16 X 1 1/4"
25	NC01-25-0058	24	HEX BOLT GR5 ZINC PLATED 5/16-18 X 3/4"
26	NC01-25-0061	2	HEX BOLT ZINC 5/6-18 X 1 1/4"
27	NC01-25-0114	10	HEX. BOLT GR5 ZINC 3/8-16 X 1"
28	NC01-25-0248	2	HEX. BOLT GR5 ZINC 1/2-13 X 1 1/4"
29	NC01-25-0249	2	HEX. BOLT GR5 ZINC 1/2-13 X 1 1/2" LG
30	NC01-25-0566	1	FULL THREAD HEX BOLT GR5 ZINC 1/2-13 X 3"
31	NC01-64-0005	2	OVAL SLEEVE (ALUMINUM)
32	NC01-65-0095	2	SQUARE KEY 1/4" X 1"
33	NC02-07-0016	8	HEX. NUT NC ZINC 1/4-20
34	NC02-07-0020	2	HEX. NUT ZINC 1/2-13
35	NC02-14-0019	8	FLANGE NUT HEX. NC 3/8-16 GR. B
36	NC02-22-0008	26	WASHER ZINC 5/16"
37	NC02-25-0009	10	WASHER 0.406" I.D. X 0.815 O.D.
38	NC02-25-0011	2	WASHER SAE ZINC 17/32 ID
39	NC02-32-0010	8	LOCK WASHER ZINC 1/4"
40	NC02-32-0011	24	LOCK WASHER ZINC 5/16"
41	NC02-32-0012	10	LOCK WASHER ZINC 3/8"
42	NC02-32-0014	4	LOCK WASHER ZINC 1/2"
43	NC02-48-0031	4	SOCKET HEAD CAP SCREW 3/8-16 X 3/4"
44	NC02-50-0033	1	SOCKET HEAD SCREW 3/8-16 X 1 1/2"
45	NC13-25-0019	3	NYLON CABLE TIE
46	NC13-45-0046	2	45°-7/8-14 MALE O RING X 1/2 FEM.TOUR.NPT PT

39-55-0670

#	PART #	Qty	TITLE
47	NC13-86-0159	2	RED SPRING I 1/4"OD X 5/8"ID X 2" LG
48	NC14-25-5381	1	SYNCHROCHAIN POLY BELT
49	NC14-45-0041	1	100cc HYDRAULIC MOTOR
50	NC14-55-0345	2	GEAR 35B10
51	NC14-55-0346	2	GEAR 35B30
52	NC14-60-0013	1	38-C8M-36 STEEL PULLEY
53	NC14-60-0014	2	38-C8M-36 STEEL PULLEY
54	NC14-60-0015	2	TAPER LOCK 1610 X 1 1/4"
55	NC14-75-0181	4	SBPFL 202-10 5/8"ID BEARING



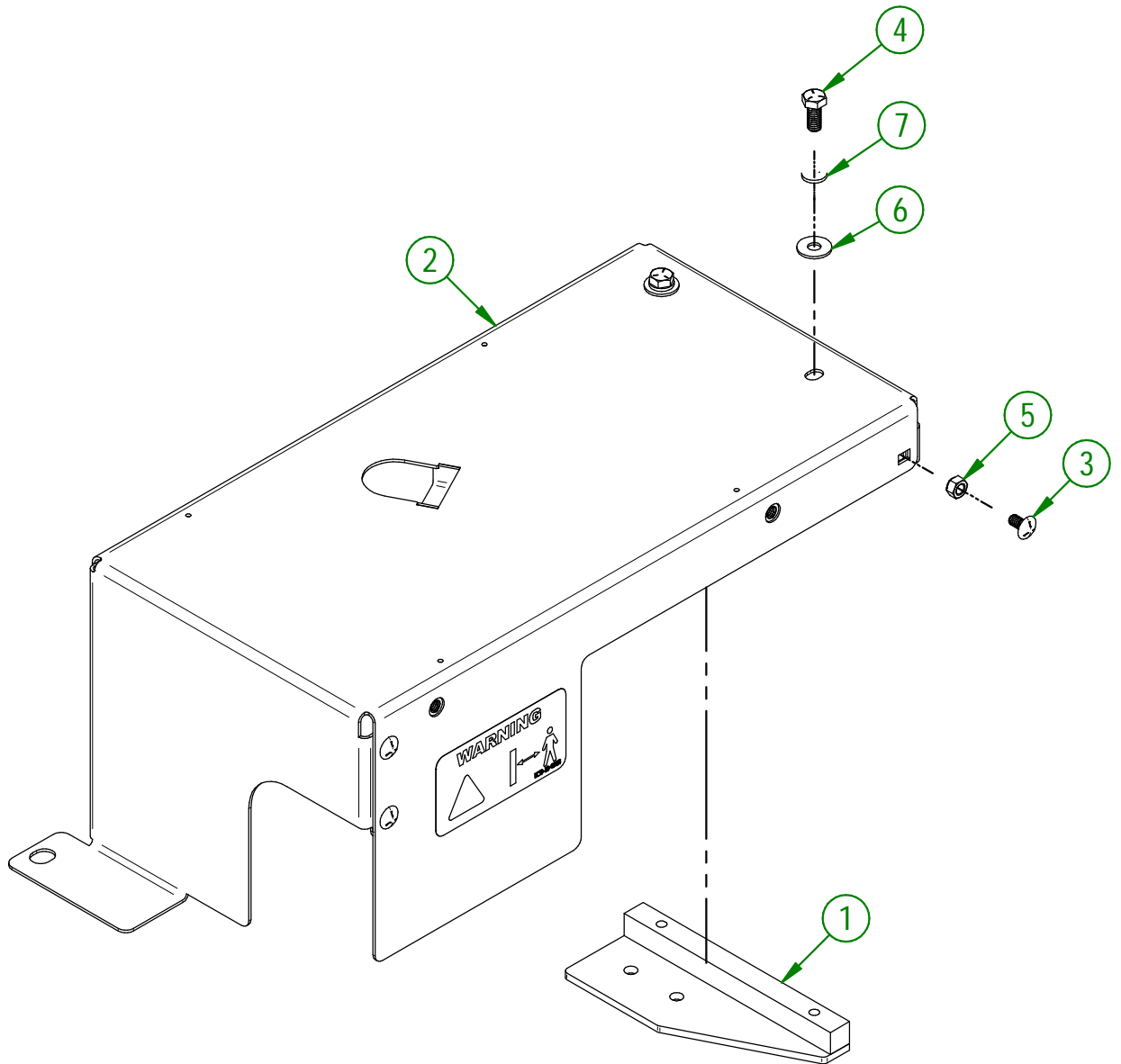
AGRIMETAL	
ENGINE COVER GROUP	
CREATION : 12/03/24	ASSEMBLY : 39-57-0380
REVISION : 12/03/24	AUTHOR : D. CHASSÉ

39-57-0380

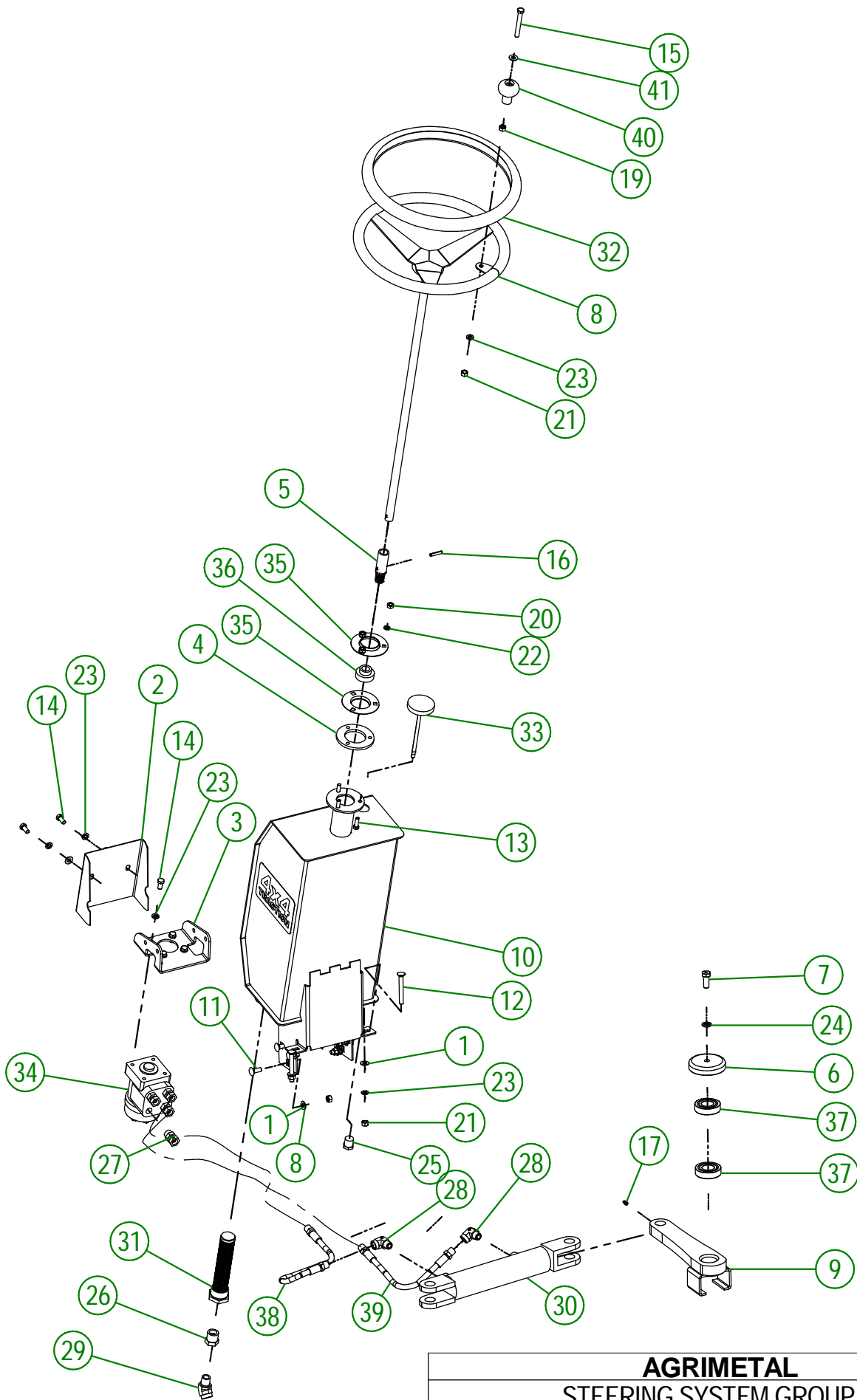
#	PART #	Qty	TITLE
1	NC01-17-0254	2	HEX. BOLT GR2 ZINC 1/2-13 X 2 1/2"
2	NC01-96-0014	2	NYLON-INSERT LOCKNUT ZINC 1/2-13
3	21-01-0950	2	FLAT WASHER 10GA 1.005" DIA X 25/64"
4	NC02-32-0012	2	LOCK WASHER ZINC 3/8"
5	NC01-17-0114	2	HEX. BOLT GR2 ZINC 3/8-16 X 1"
6	39-57-0012	1	ENGINE COVER
7	39-50-0115	1	SEAT FOLDER HOLDER
8	NC13-15-0034	4	RUBBER ABSORBER
9	NC13-80-0200	1	SEAT
10	NC13-80-0201	1	SET OF SEAT RAIL
11	NC13-80-0295	1	ARMRESTS
12	39-01-0400	1	BACK REST SEAT REINFORCEMENT
13	01-01-2485	4	FLAT WASHER 14 GA X 13/16"OD X 25/64" ID
14	NC02-32-0011	12	LOCK WASHER ZINC 5/16"
15	NC01-17-0058	8	HEX. BOLT GR2 ZINC 5/16-18 X 3/4" LG
16	NC13-30-0237	1	PLASTIC TUBE FOR OPERATOR'S MANUAL
17	NC01-04-0003	3	CARR. BOLT GR2 ZINC 1/4-20 X 3/4"
18	NC02-25-0007	3	WASHER ZINC 0.281 = 9/32
19	NC01-96-0009	3	NYLON-INSERT LOCKNUT ZINC 1/4-20
20	NC02-07-0017	8	HEX. NUT 5/16-18
21	NC01-04-0056	4	CARR. BOLT 5/16-18 X3/4"
22	NC02-50-0112	2	HEX. BOLT GR2 ZINC 3/8-16 X 4 1/2"
23	NC01-96-0011	2	NYLON NUT 3/8-16
24	39-98-0631	1	OPERATOR'S MANUAL

39-57-5050

#	PART #	Qty	TITLE
1	39-50-0615	1	HYDROSTATIC PUMP GUARD SUPPORT
2	39-57-5012	1	HYDROSTATIC PUMP GUARD
3	NC01-07-0001	5	CARR. BOLT GR5 ZINC 1/4-20 X1/2"
4	NC01-25-0058	2	HEX BOLT GR5 ZINC PLATED 5/16-18 X 3/4"
5	NC01-96-0009	5	NYLON-INSERT LOCKNUT ZINC 1/4-20
6	NC02-22-0008	2	WASHER ZINC 5/16"
7	NC02-32-0011	2	LOCK WASHER ZINC 5/16"



AGRIMETAL	
HYDROSTATIC PUMP GUARD	
CREATION : 19/02/26	ASSEMBLY : 39-57-5050
REVISION : 19/02/26	AUTHOR : D. CHASSÉ



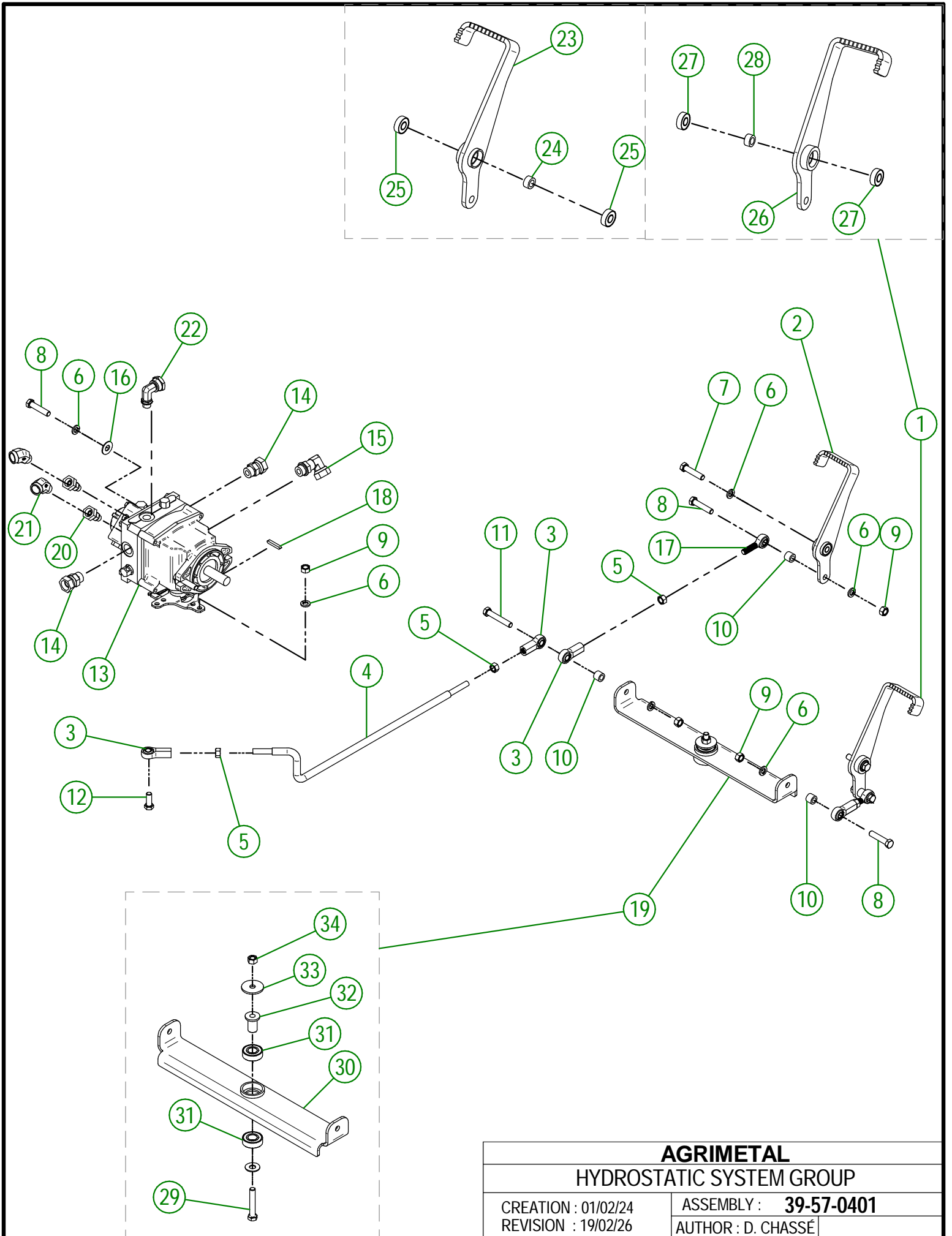
AGRIMETAL
STEERING SYSTEM GROUP

CREATION : 01/02/24
 REVISION : 19/03/25

ASSEMBLY : **39-57-0549**
 AUTHOR : J. Houle

39-57-0549

#	PART #	Qty	TITLE
1	01-01-2485	10	FLAT WASHER 14 GA X 13/16"OD X 25/64" ID
2	39-01-0080	1	STEERING SHAFT GUARD
3	39-04-0195	1	HYDRAULIQUE CONTROL SUPPORT
4	39-04-0275	1	STEERING SHAFT BEARING SUPPORT
5	39-20-0005	1	STEERING SHAFT ADAPTER
6	39-21-0000	1	STEERING PLATE SHAFT COVER
7	39-30-9960	1	LEFT LIGHT HOLDER
8	39-50-0081	1	STEERING WHEEL
9	39-50-0571	1	STEERING PLATE
10	39-57-0143	1	OIL TANK
11	NC01-04-0109	6	CARR. BOLT GR2 ZINC 3/8-16 X 1"
12	NC01-04-0117	2	CARR. BOLT GR2 NC ZINC 3/8-16 X 3"
13	NC01-17-0060	3	HEX. BOLT GR2 ZINC 5/16-18 X 1"
14	NC01-17-0112	6	HEX. BOLT GR2 ZINC 3/8-16 X 3/4"
15	NC01-17-0122	1	HEX. BOLT GR2 ZINC 3/8-16 X 3"
16	NC01-69-0459	1	ZINC SPRING PIN TENDER DIA. 1/4" X 1 1/4"
17	NC01-69-0785	1	STRAIGHT GREASE FITTING 1/4-28
18	NC01-93-0011	6	LOCK NUT 3/8-16
19	NC01-96-0011	1	NYLON NUT 3/8-16
20	NC02-07-0017	3	HEX. NUT 5/16-18
21	NC02-07-0018	3	HEX. NUT ZINC 3/8-16
22	NC02-32-0011	3	LOCK WASHER ZINC 5/16"
23	NC02-32-0012	9	LOCK WASHER ZINC 3/8"
24	NC02-32-0014	1	LOCK WASHER ZINC 1/2"
25	NC13-45-0015	1	HEX. CAP 1/2 NPTF MALE
26	NC13-45-0032	1	STRAIGHT HOSE FITTING 1/2 FEM. NPT X 3/4 MALE NPT
27	NC13-45-0036	4	STRAIGHT REDUCER 3/4-16 MALE SAE8 O RING X 3/8 FEMALE SWIVEL
28	NC13-45-0038	2	ELBOW 90 3/8 FEM. NPT X 3/8 MALE NPT
29	NC13-45-0086	1	ELBOW 45 1/2 FEM. NPT X 1/2 MALE NPT
30	NC13-45-0370	1	HYDRAULIC CYLINDER 6"
31	NC13-45-0381	1	TANK STRAINER
32	NC13-80-0254	1	STEERING WHEEL COVER
33	NC13-80-0311	1	CAP WITH DIPSTICK
34	NC14-45-0151	1	HYDRAULIC STEERING ASSIST
35	NC14-75-0008	2	STEEL BEARING ONLY 3 HOLES F4 3 9/16" OD
36	NC14-75-0014	1	STEEL BEARING SB 204-12 X 3/4" ID
37	NC14-75-0091	2	6206 ZZ BEARING
38	NC17-02-0436	1	HYD. HOSE 3/8 X 13 1/2"OAL 3/8 NPTMALE RIG.X 3/8NPTMALE RIG
39	NC17-02-0437	1	HYD. HOSE 3/8 X 18"OAL 3/8 NPTMALE RIG.X 3/8NPTMALE RIG
40	NC17-46-0018	1	HANDLE KNOB
41	NC17-57-0016	1	FLAT WASHER 14 GA X 13/16"OD X 25/64" ID



AGRIMETAL	
HYDROSTATIC SYSTEM GROUP	
CREATION : 01/02/24	ASSEMBLY : 39-57-0401
REVISION : 19/02/26	AUTHOR : D. CHASSÉ

39-57-0401

#	PART #	Qty	TITLE
1	39-55-0026	1	RIGHT PEDAL
2	39-55-0021	1	LEFT PEDAL
3	NC01-67-0104	4	INTERNALLY THREADED BALL JOINT ROD ENDS 3/8-24
4	39-13-0401	1	HYDROSTATIC CONTROL ROD
5	NC02-10-0018	4	NUT 3/8-24
6	NC02-32-0012	9	LOCK WASHER ZINC 3/8"
7	NC01-33-0117	2	CARR. BOLT GR8 ZINC 3/8-16 X 1 3/4"
8	NC01-25-0117	5	HEX. BOLT GR5 ZINC 3/8-16 X 1 3/4" LG
9	NC02-07-0018	5	HEX. NUT ZINC 3/8-16
10	39-09-0050	4	PEDAL SYSTEM BUSHING
11	NC01-25-0119	1	HEX. BOLT GR5 NC ZINC 3/8-16 X 2"
12	NC01-25-0114	1	HEX. BOLT GR5 ZINC 3/8-16 X 1"
13	NC14-45-0153	1	HYDROSTATIC MOTOR
14	NC13-45-0106	2	STRAIGHT REDUCER 3/4-16 MALE SAE8 O RING X 1/2 FEMALE
15	NC13-45-0203	1	ELBOW 90° 3/4 MALE ORING X 1/2 FEMALE NPT
16	NC02-22-0010	2	WASHER 13/32" ID
17	NC01-67-0304	2	BALL JOINTS ROD ENDS 3/8-24
18	NC01-65-0312	1	SQUARE KEY 3/16" X 1 1/4"TL
19	39-57-0220	1	PEDAL JUNCTION ARM
20	NC13-45-0401	2	STRAIGHT REDUCER 7/16-20 MALE SAE4 O RING X 3/8 FEMALE SWIVEL
21	NC13-45-0085	2	45° ELBOW 3/8" NPT MALE X 3/8" NPT FEMALE
22	NC13-45-0416	1	90 ELBOW 9/16-18 MALE SAE6 ORING X 1/2-14 FEMALE NPSM SWIVEL

39-55-0021

#	PART #	Qty	TITLE
23	39-50-0111	1	LEFT PEDAL
24	01-09-0005	1	BUSHING
25	NC14-75-0153	2	BALL BEARING R6 2RS 3/8" X 7/8" X 0.281"

39-55-0026

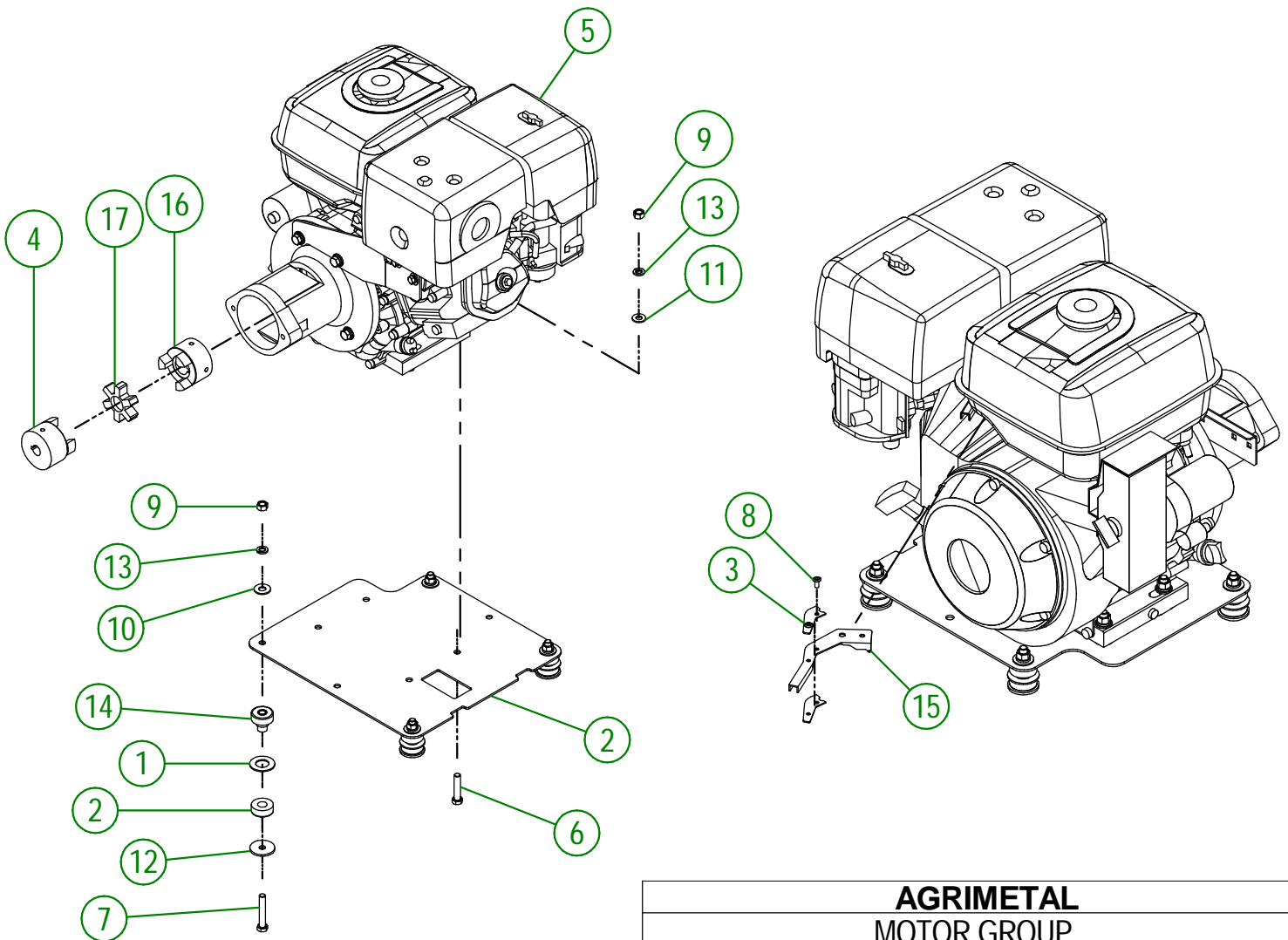
#	PART #	Qty	TITLE
26	39-50-0106	1	RIGHT PEDAL
27	NC14-75-0153	2	BALL BEARING R6 2RS 3/8" X 7/8" X 0.281"
28	01-09-0005	1	BUSHING

39-57-0220

#	PART #	Qty	TITLE
29	NC01-37-0119	1	HEX BOLT GR8 ZINC 3/8-24 X 2 1/4"
30	39-50-0042	1	PEDALS UNION
31	NC14-75-0068	2	BALL BEARING 99502H
32	39-13-0200	1	JONCTION ARM PIVOT
33	NC02-26-0504	1	WASHER
34	NC01-94-0011	1	LOCK NUT 3/8-24
35	NC02-22-0010	1	WASHER 13/32" ID

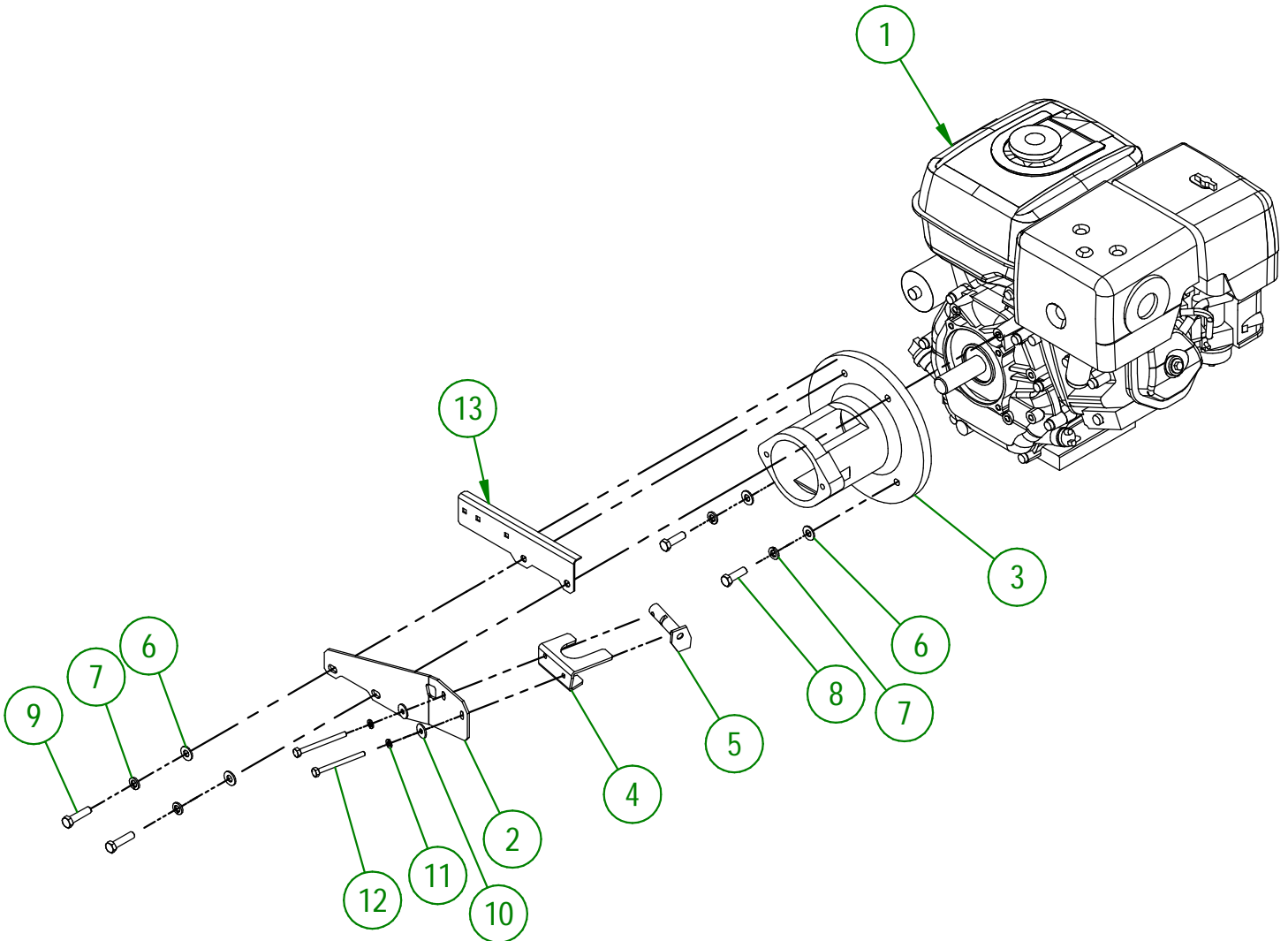
39-57-0119

#	PART #	Qty	TITLE
1	26-03-4800	4	WASHER
2	39-01-0360	1	MOTOR BASE
3	39-03-0015	2	CARBURETOR LEVER REINFORCEMENT
4	39-46-3500	1	HYDROSTATIC COUPLING HUB
5	39-55-0032	1	13 HP 18 AMP HONDA MOTOR WITH STARTER
6	NC01-25-0117	4	HEX. BOLT GR5 ZINC 3/8-16 X 1 3/4" LG
7	NC01-25-0119	4	HEX. BOLT GR5 NC ZINC 3/8-16 X 2"
8	NC01-78-0015	2	RIVET 3/16"
9	NC02-07-0018	8	HEX. NUT ZINC 3/8-16
10	NC02-22-0010	4	WASHER 13/32" ID
11	NC02-25-0009	4	FLAT WASHER 14 GA X 13/16"OD X 25/64" ID
12	NC02-26-0504	4	WASHER
13	NC02-32-0012	8	LOCK WASHER ZINC 3/8"
14	NC13-15-0059	4	YELLOW RUBBER BASE MOUNT
15	NC13-37-0693	1	THROTTLE LEVER
16	NC14-05-0029	1	COUPLING (LOVEJOY) CXL100 X 1" ID
17	NC14-05-0030	1	COUPLING (LOVEJOY) RUBBER N100



AGRIMETAL	
MOTOR GROUP	
CREATION : 22/01/24	ASSEMBLY : 39-57-0119
REVISION : 08/12/25	AUTHOR : dessin3

#	PART #	Qty	TITLE
1	NC14-40-0008	1	13 HP HONDA MOTOR GX390 WITH STARTER
2	39-01-1090	1	MUFFLER SUPPORT
3	39-50-0120	1	FUEL ENGINE ADAPTER FOR HYDROSTATIC PUMP
4	39-01-1080	1	MUFFLER SUPPORT
5	39-50-0085	1	MUFFLER SUPPORT
6	01-01-2485	4	FLAT WASHER 14 GA X 13/16"OD X 25/64" ID
7	NC02-32-0012	4	LOCK WASHER ZINC 3/8"
8	NC01-17-0115	2	HEX. BOLT GR2 ZINC 3/8-16 X 1 1/4"
9	NC01-17-0116	2	HEX. BOLT GR2 ZINC 3/8-16 X 1 1/2"
10	36-01-2430	2	FLAT WASHER 14GA X 17/64" I.D. X 13/16" O.D.
11	NC02-32-0010	2	LOCK WASHER ZINC 1/4"
12	NC01-37-0014	2	HEX. BOLT GR8 ZINC 1/4-28 X 3"
13	39-01-2405	1	VOLTAGE REGULATOR HOLDER



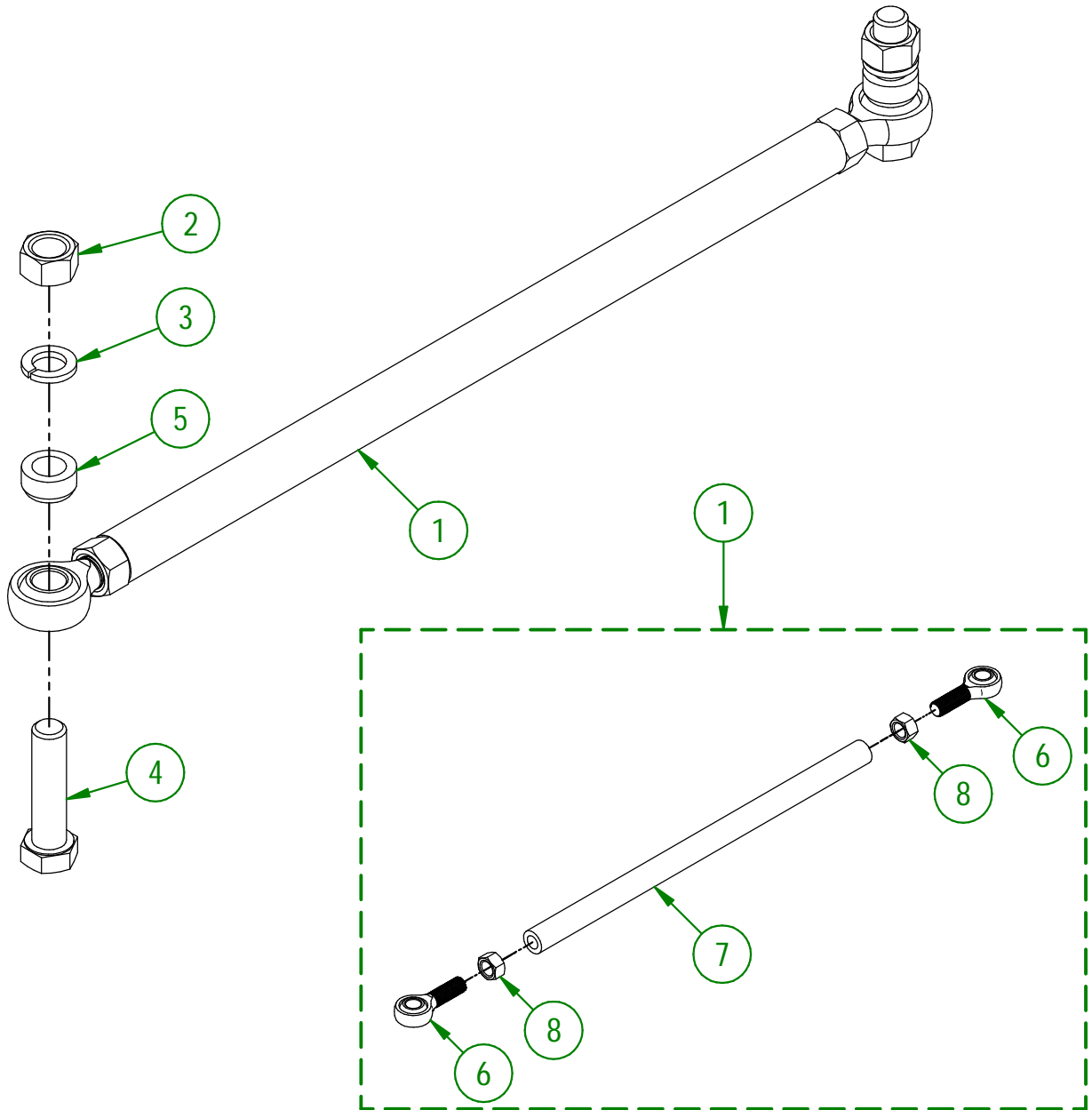
AGRIMETAL	
13 HP 18 AMP HONDA MOTOR WITH STARTER	
CREATION : 22/01/24	ASSEMBLY : 39-55-0032
REVISION : 21/02/24	AUTHOR : dessin3

39-57-0190

#	PART #	Qty	TITLE
1	39-55-0700	1	ROLLER ARM
2	NC02-07-0022	2	HEX. NUT ZINC 5/8-11
3	NC02-32-0016	2	LOCK WASHER ZINC 5/8"
4	NC01-17-0398	2	HEX. BOLT GR2 NC ZINC 5/8-11 X 2 1/2"
5	39-21-0055	2	RING

39-55-0700

#	PART #	Qty	TITLE
6	NC01-67-0308	2	MAL ROD END THREAD 5/8-18
7	39-21-0060	1	ARM
8	NC02-10-0022	2	HEX. NUT ZINC 5/8-18

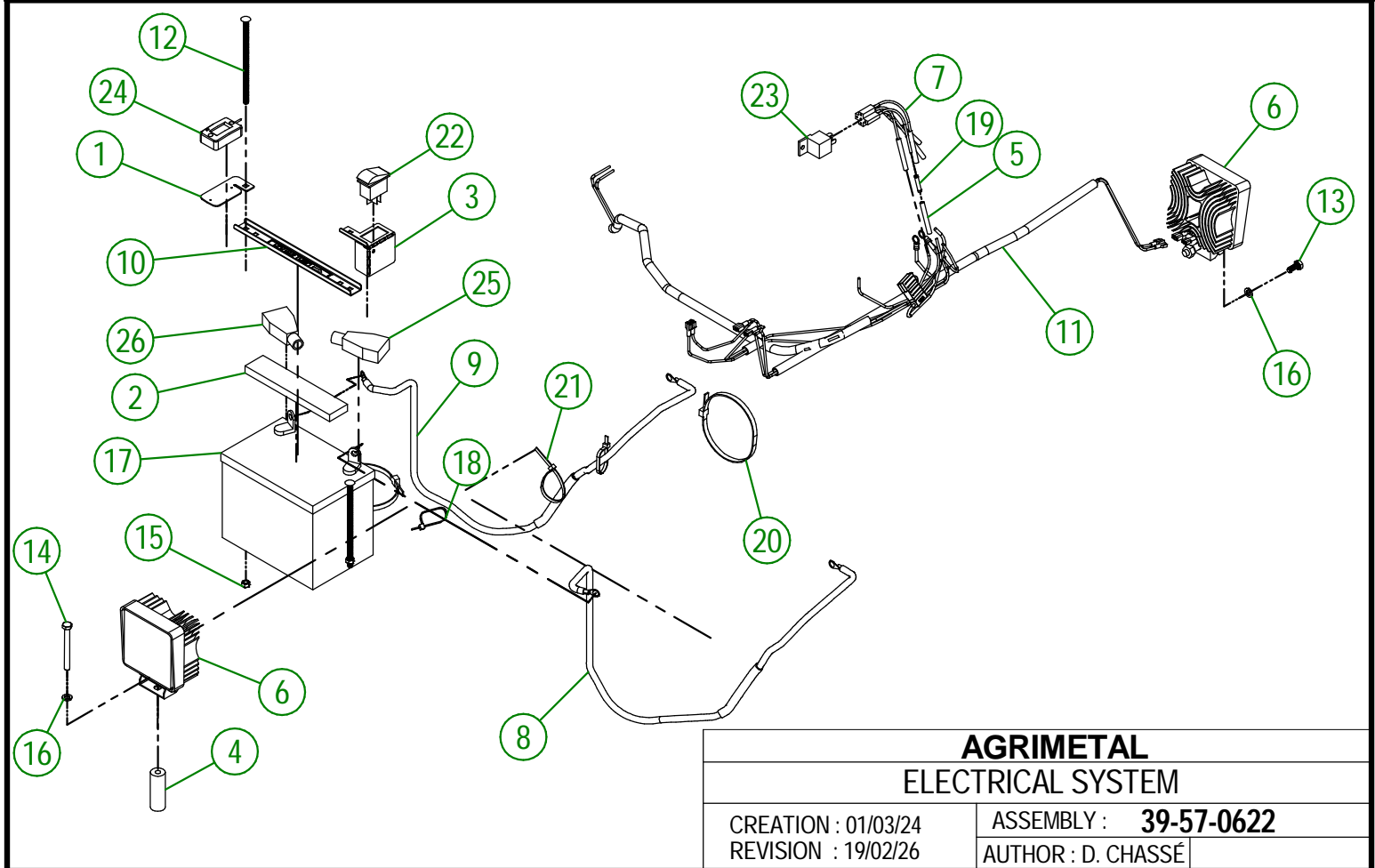


AGRIMETAL
ROLLER ARM GROUP

CREATION : 25/04/18
 REVISION : 15/02/22

ASSEMBLY : **39-57-0190**
 AUTHOR : J.KABWE

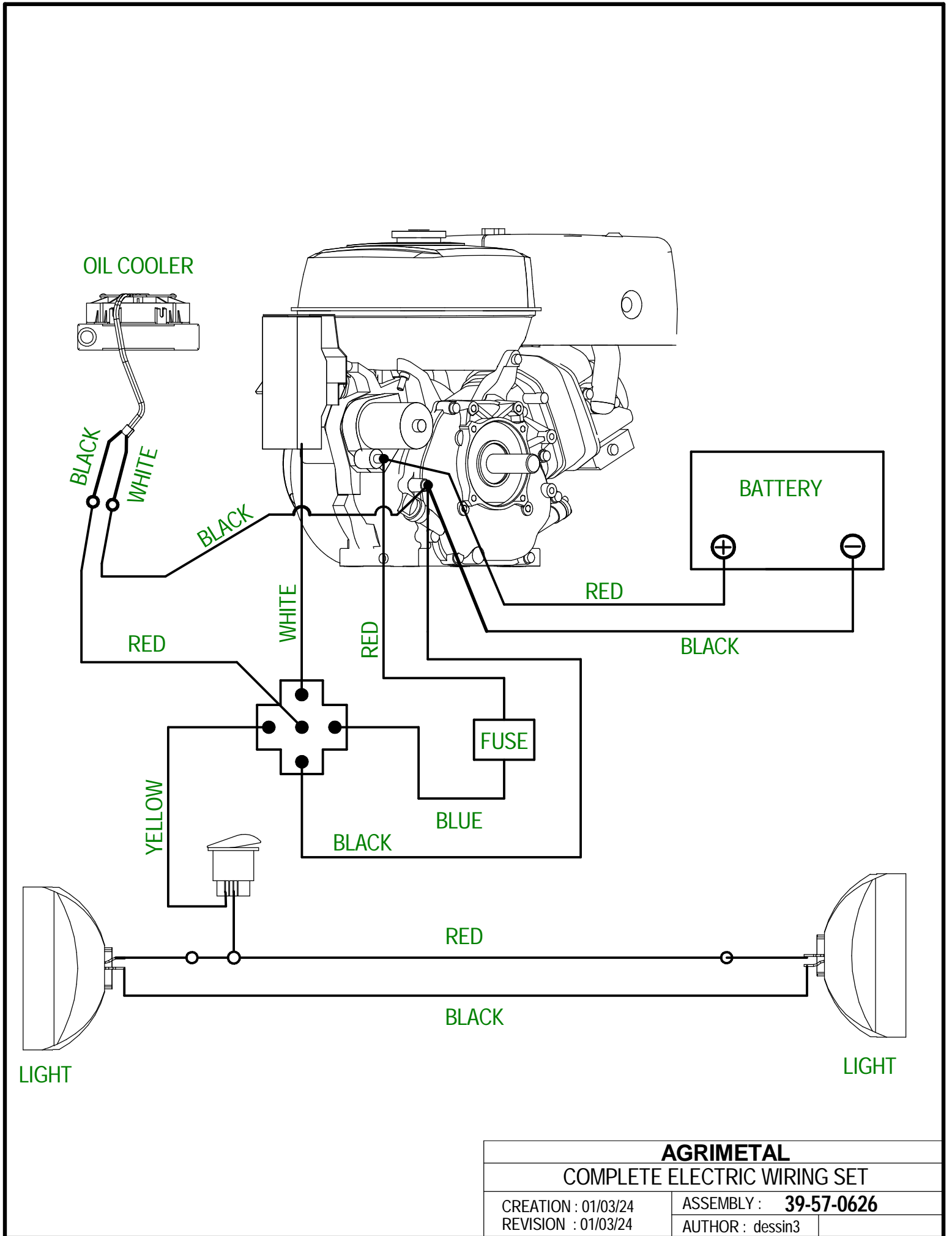
#	PART #	Qty	TITLE
1	33-01-4000	1	HOUR METER HOLDER
2	33-42-0130	1	BLACK ADHESIVE-BACK STRIP
3	39-01-3050	1	LIGHT SWITCH HOLDER
4	39-21-0040	1	RIGHT LIGHT HOLDER
5	39-42-0200	5	WIRE SHRINK TUBING
6	39-55-0121	2	LED LIGHT
7	39-55-0430	1	RELAY PLUG
8	39-55-0815	1	BATTERY CABLE 36" (POSITIVE) (GR 400)
9	39-55-0820	1	BATTERY CABLE 36" (NAGATIVE) (GR 400)
10	39-57-0195	1	BATTERY STRAPE
11	39-57-0626	1	COMPLETE ELECTRIC WIRE SET
12	NC01-07-0027	2	CARR. BOLT 1/4-20 X 6" LG
13	NC01-25-0058	1	HEX BOLT GR5 ZINC PLATED 5/16-18 X 3/4"
14	NC01-25-0068	1	HEX. BOLT GR2 NC ZINC 5/16-18 X 3"
15	NC01-96-0009	2	NYLON-INSERT LOCKNUT ZINC 1/4-20
16	NC02-32-0011	2	LOCK WASHER ZINC 5/16"
17	NCI3-12-0001	1	12 VOLTS BATTERY
18	NCI3-25-0019	2	NYLON CABLE TIE
19	NCI3-25-0228	5	VINYL UNION TERMINAL 16-14
20	NCI3-25-0229	2	BLACK NYLON CABLE TIE
21	NCI3-25-0245	1	BLACK TIE RAP
22	NCI3-25-0368	1	LIGHT SWITCH
23	NCI3-25-0406	1	12V 40A 5 PINS RELAY
24	NCI3-37-0669	1	HOUR METER
25	NCI3-80-0267	1	RED PROTECTOR FOR BATTERY POST
26	NCI3-80-0268	1	BLACK PROTECTOR FOR BATTERY POST



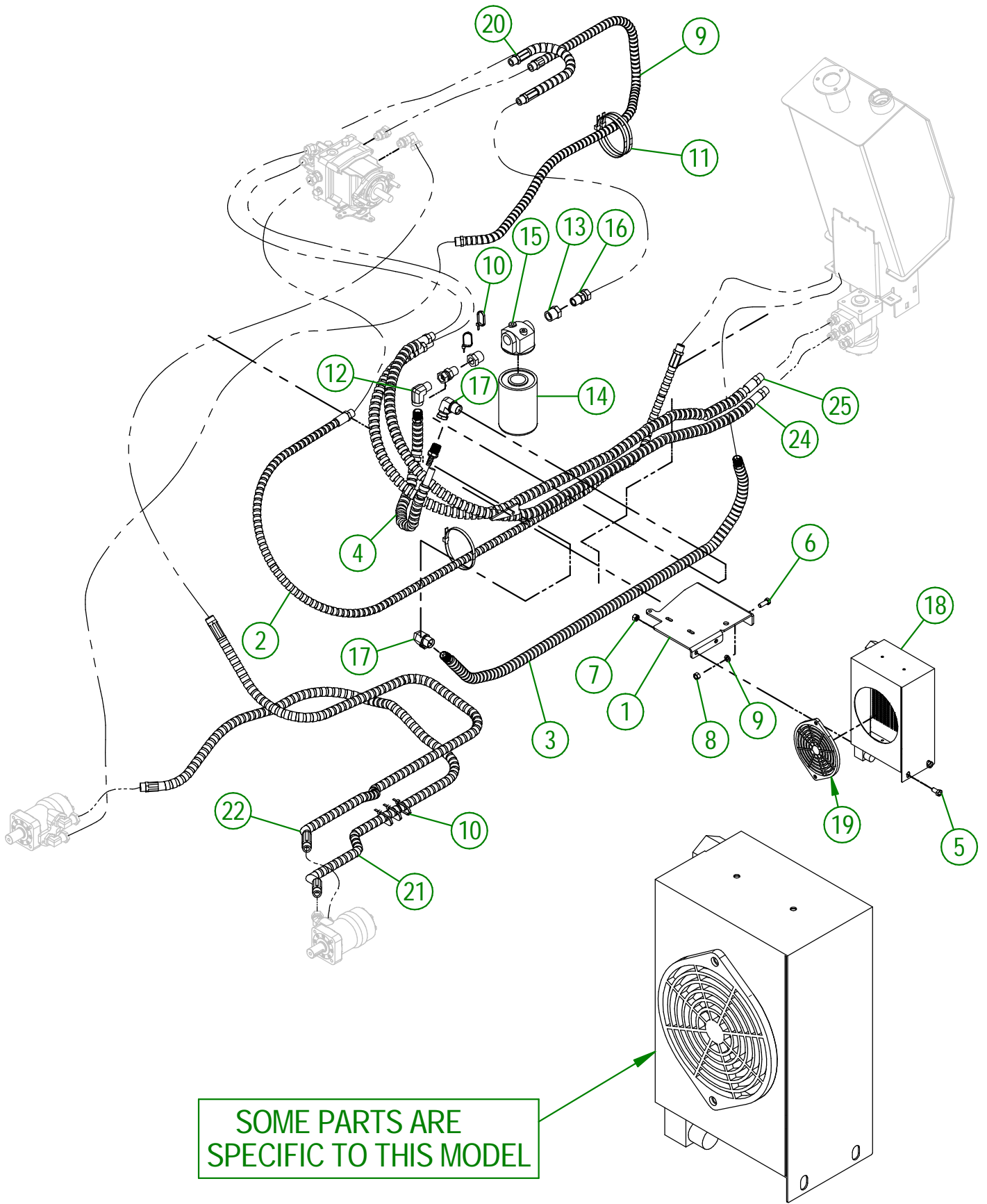
AGRIMETAL
ELECTRICAL SYSTEM

CREATION : 01/03/24
REVISION : 19/02/26

ASSEMBLY : **39-57-0622**
AUTHOR : D. CHASSÉ



AGRIMETAL	
COMPLETE ELECTRIC WIRING SET	
CREATION : 01/03/24	ASSEMBLY : 39-57-0626
REVISION : 01/03/24	AUTHOR : dessin3

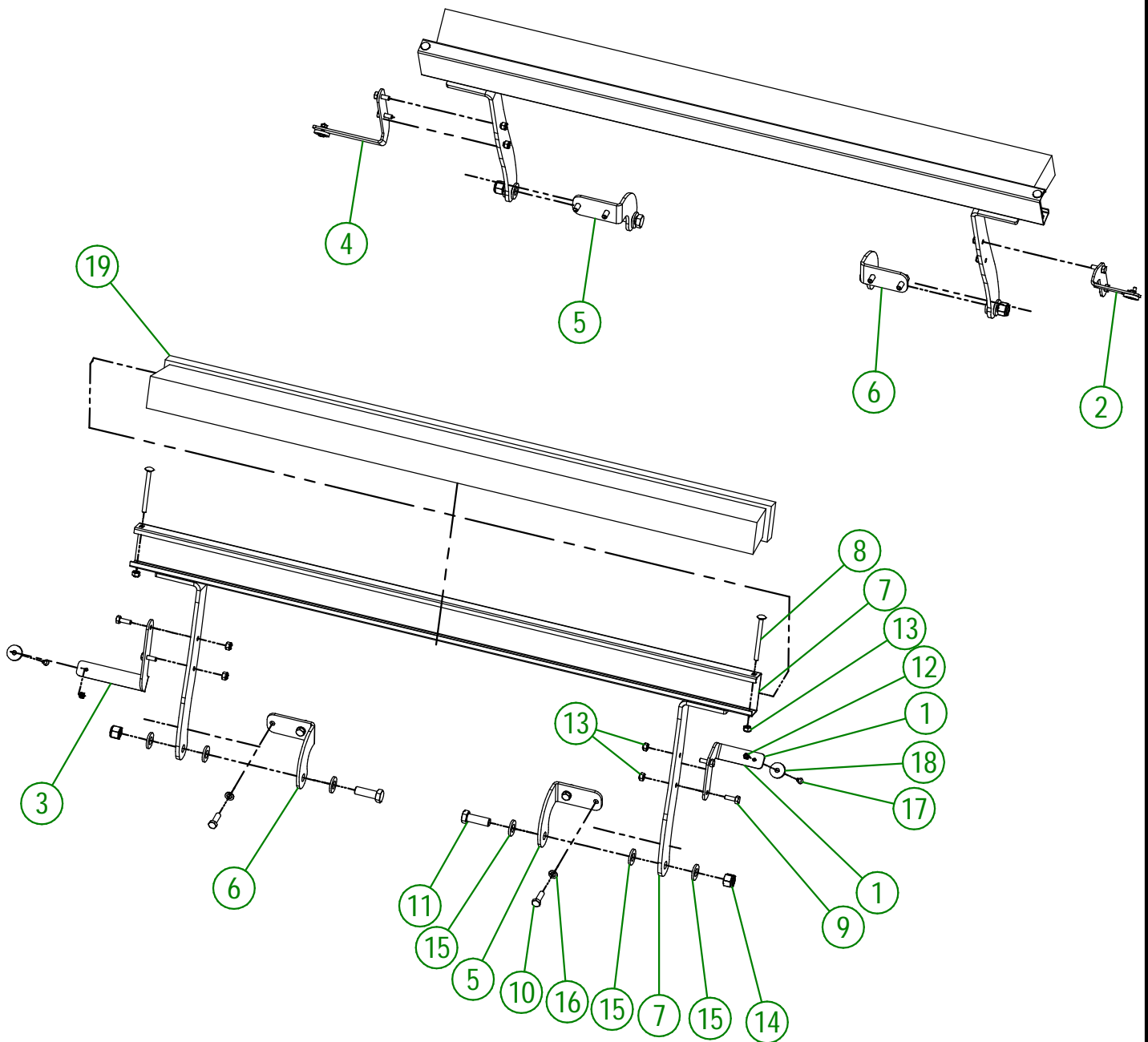


SOME PARTS ARE SPECIFIC TO THIS MODEL

AGRIMETAL	
HYDRAULIC SYSTEM GROUP	
CREATION : 04/03/24	ASSEMBLY : 39-57-0594
REVISION : 05/03/26	AUTHOR : J. Houle

39-57-0594

#	PART #	Qty	TITLE
1	39-50-0226	1	OIL COOLER SUPPORT
2	39-55-0365	1	HYDRAULIC HOSE 75"
3	39-55-0375	1	HYDRAULIC HOSE 46"
4	39-55-0380	1	HYDRAULIC HOSE 14"
5	NC01-25-0112	2	HEX BOLT ZINC 3/8-16 X 3/4"
6	NC01-25-0114	2	HEX. BOLT GR5 ZINC 3/8-16 X 1"
7	NC01-93-0011	2	LOCK NUT 3/8-16
8	NC02-07-0018	2	HEX. NUT ZINC 3/8-16
9	NC02-32-0012	2	LOCK WASHER ZINC 3/8"
10	NC13-25-0019	6	NYLON CABLE TIE
11	NC13-25-0229	3	BLACK NYLON CABLE TIE
12	NC13-45-0025	1	ELBOW 90° 1/2 FEMALE NPT X 1/2 MALE NPT
13	NC13-45-0032	2	STRAIGHT HOSE FITTING 1/2 FEM. NPT X 3/4 MALE NPT
14	NC13-45-0048	1	OIL FILTER
15	NC13-45-0049	1	HEAD FILTER
16	NC13-45-0091	2	STRAIGHT HOSE FITTING 1/2 MALE NPTF X 1/2 FEM. SWIVEL
17	NC13-45-0402	2	90° ELBOW 3/4 NPT MALE X 1/2 NPT SWIVEL FEMALE
18	NC13-45-0403	1	OIL COOLER AH0608T
19	NC13-45-0413	1	
20	NC17-02-0313	1	HYDRAULIC HOSE 19"
21	NC17-02-0372	1	HYDRAULIC HOSE 59"
22	NC17-02-0374	1	HYDRAULIC HOSE 63"
23	NC17-02-0376	1	HYDRAULIC HOSE 37"
24	NC17-02-0434	1	HYD. HOSE 3/8 X 74"OAL 3/8 NPT MALE RIG. X 3/8 NPT MALE RIG
25	NC17-02-0434	1	HYD. HOSE 3/8 X 74"OAL 3/8 NPT MALE RIG.X 3/8 NPT MALE RIG



**AGRIMETAL
BRUSHES KIT**

CREATION : 04/02/26
REVISION : 04/02/26

ASSEMBLY : **39-57-9117**
AUTHOR : N. GOULET

39-57-9117

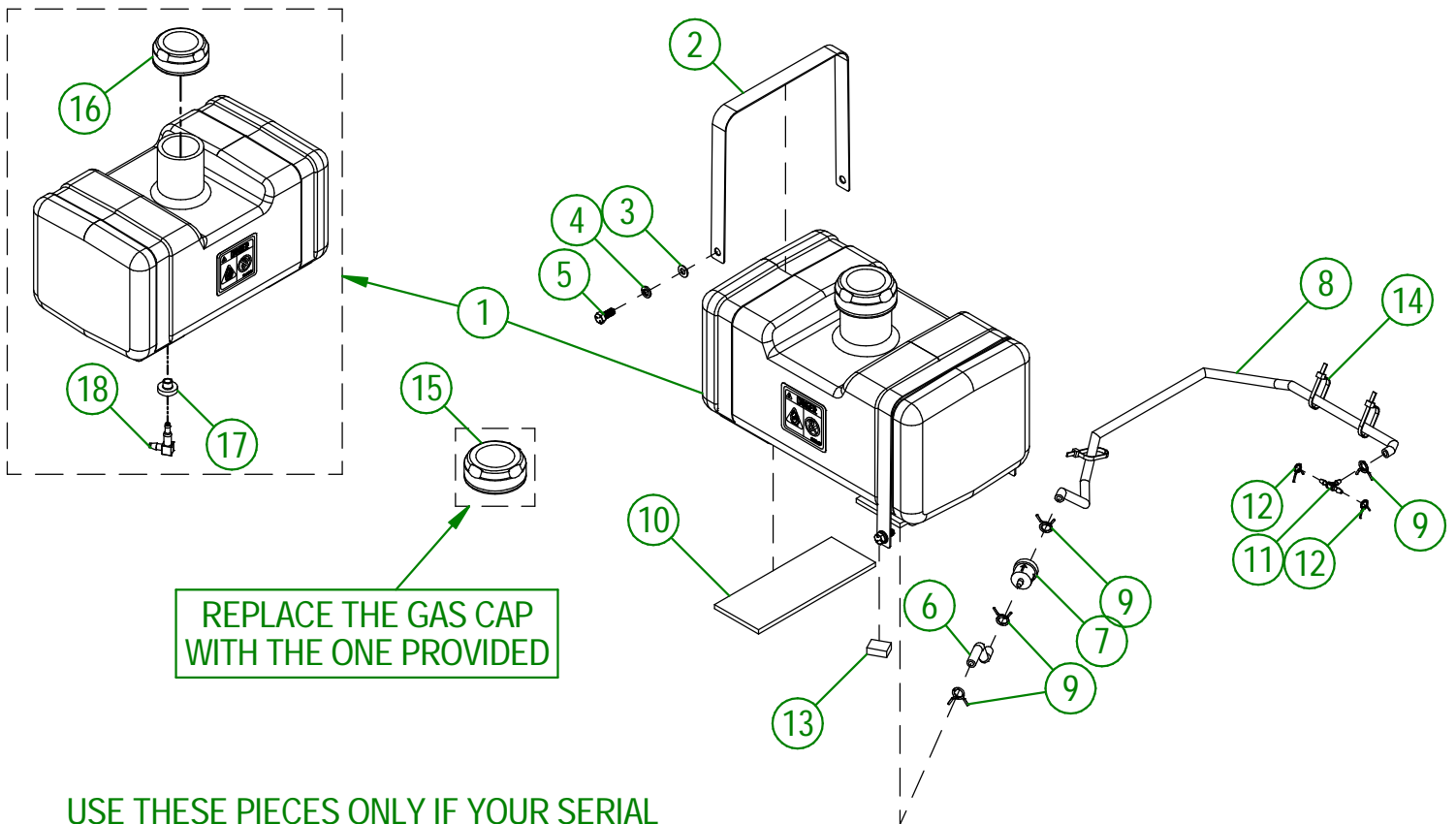
#	PART #	Qty	TITLE
1	39-01-0417	1	MAGNET HOLDER
2	39-01-0419	1	MAGNET HOLDER
3	39-01-0585	1	MAGNET HOLDER
4	39-01-0590	1	MAGNET HOLDER
5	39-04-0820	2	BRUSH HOLDER
6	39-04-0823	2	BRUSH HOLDER
7	39-50-9101	2	BRUSH HOLDER
8	NC01-05-0013	4	CARR. BOLT GR5 ZINC 1/4-20 X 3/4"
9	NC01-25-0004	8	HEX. BOLT GR5 ZINC 1/4-20 X 3/4"
10	NC01-25-0060	8	HEX. BOLT GR5 ZINC 5/16-18 X 1"
11	NC01-25-0249	4	HEX. BOLT GR5 ZINC 1/2-13 X 1 1/2" LG
12	NC01-96-0006	4	NYLON NUT ZINC 3/16
13	NC01-96-0009	12	NYLON-INSERT LOCKNUT ZINC 1/4-20
14	NC01-96-0014	4	NYLON-INSERT LOCKNUT ZINC 1/2-13
15	NC02-25-0011	12	WASHER SAE ZINC 17/32 ID
16	NC02-32-0011	8	LOCK WASHER ZINC 5/16"
17	NC02-36-0110	4	MACHINE SCREW FLAT HEAD 10-24 X 3/4" LG.
18	NC13-05-0008	4	MAGNET
19	NC13-80-0294	2	BRUSH

39-57-5022

#	PART #	QT	TITLE
1	39-57-5008	1	GAZ TANK
2	39-01-6605	2	GAS TANK STRIP SUPPORT
3	NC02-22-0008	4	WASHER ZINC 5/16"
4	NC02-32-0011	4	LOCK WASHER ZINC 5/16"
5	NC01-25-0058	4	HEX BOLT GR5 ZINC PLATED 5/16-18 X 3/4"
6	39-46-0170	1	GAZ LINE
7	NC13-37-0688	1	3/16 GAS FILTER
8	39-46-0175	1	GAZ LINE
9	NC01-65-0305	4	CONSTANT-TENSION SPRING CLAMPS 7/16"
10	39-42-0205	2	RUBBER FAOM SEAL TAPE BLACK 1/4" X 3" X 8"
11	NC13-68-0032	1	PLASTIC BARBED TEE FITTING TEE CONNECTOR 3/16" (GASOLINE)
12	NC01-65-0304	2	CONSTANT-TENSION SPRING CLAMPS 5/16"
13	39-42-0130	1	RUBBER FOAM SEAL TAPE BLACK 3/8" X 3/4" X 1" LG
14	NC13-25-0019	3	NYLON CABLE TIE
15	NC13-80-0317	1	GAZ CAP

39-57-5008

#	PART #	QT	TITLE
16	NC13-80-0317	1	GAZ CAP
17	NC13-80-0319	1	GROMMET VITRON #468661
18	NC13-80-0318	1	90° ELBOW X 1/4" GAS LINE

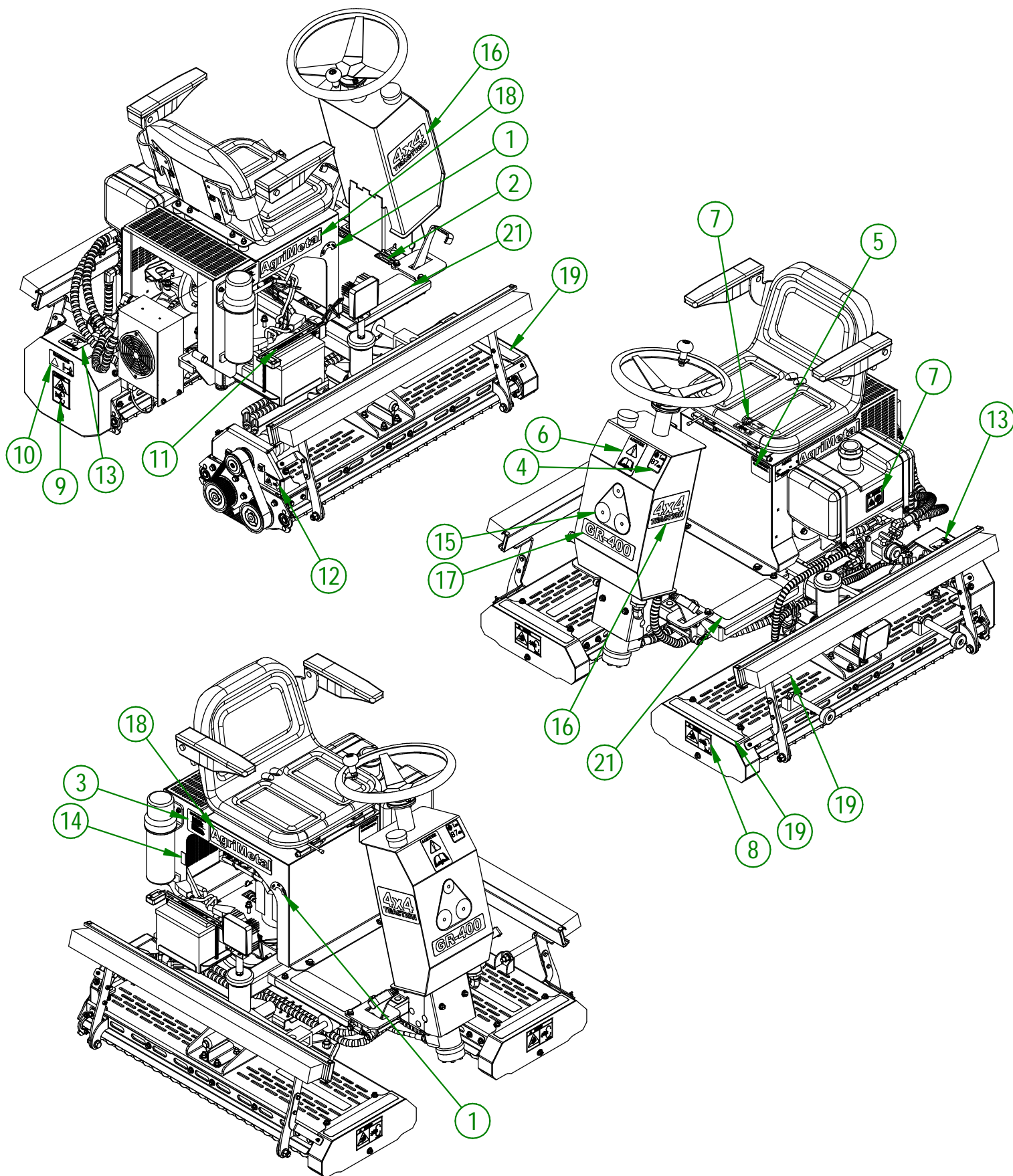


REPLACE THE GAS CAP WITH THE ONE PROVIDED

USE THESE PIECES ONLY IF YOUR SERIAL NUMBER IS AFFECTED:
OR IF YOU HAVE INSTALLED THE KIT 39-57-5025

#46009 ET PLUS

AGRIMETAL	
3 GALLON GAZ TANK OPTION	
CREATION : 29/05/24	ASSEMBLY : 39-57-5022
REVISION : 16/05/25	AUTHOR : M. HOULE



AGRIMETAL	
GREEN ROLLER GR400-H (13HP HONDA)	
CREATION : 29/01/26	ASSEMBLY : 39-99-0525
REVISION : 24/03/26	AUTHOR : N. GOULET

#	PART #	Qty	TITLE
1	NCI3-33-0095	1	STICKER OFF ON START
2	NCI3-33-0124	2	STICKER STEERING ARROW
3	NCI3-33-0151	1	STICKER (IMPORTANT TO PREVENT ENGINE FAILURE...)
4	NCI3-33-0153	1	STICKER 87 DB
5	NCI3-33-0178	1	STICKER IMPORTANT PLEASE CHECK OIL LEVEL...
6	NCI3-33-0183	1	STICKER CAUTION OPERATION MANUAL
7	NCI3-33-0185	1	STICKER PICTOGRAM (FIRE + CIGARETTE)
8	NCI3-33-0247	2	STICKER DANGER
9	NCI3-33-0282	2	STICKER DANGER
10	NCI3-33-0288	2	STICKER WARNING HIGH-PRESSURE LIQUID
11	NCI3-33-0350	1	STICKER LIGHT SWITCH
12	NCI3-33-0351	2	STICKER DANGER
13	NCI3-33-0355	2	TENSION BELT STICKER
14	NCI3-33-2662	1	ON OFF CHOKE/GAZ STICKER
15	NCI3-33-2678	1	STICKER SYNCHRO BELT DRIVE
16	NCI3-33-2682	2	STICKER 4 X 4
17	NCI3-33-2684	1	STICKER GR 400
18	NCI3-33-2687	2	STICKER AGRIMETAL
19	NCI3-80-0081	4	STICKER ANTI-SLIP ROUND CORNER BLACK 1 1/2" X 12"
20	NCI3-80-0083	2	STICKER ANTI-SCRATCH 3" X 12"
21	NCI3-80-0314	2	STICKER ANTI-SCRATCH 3" X 10"

