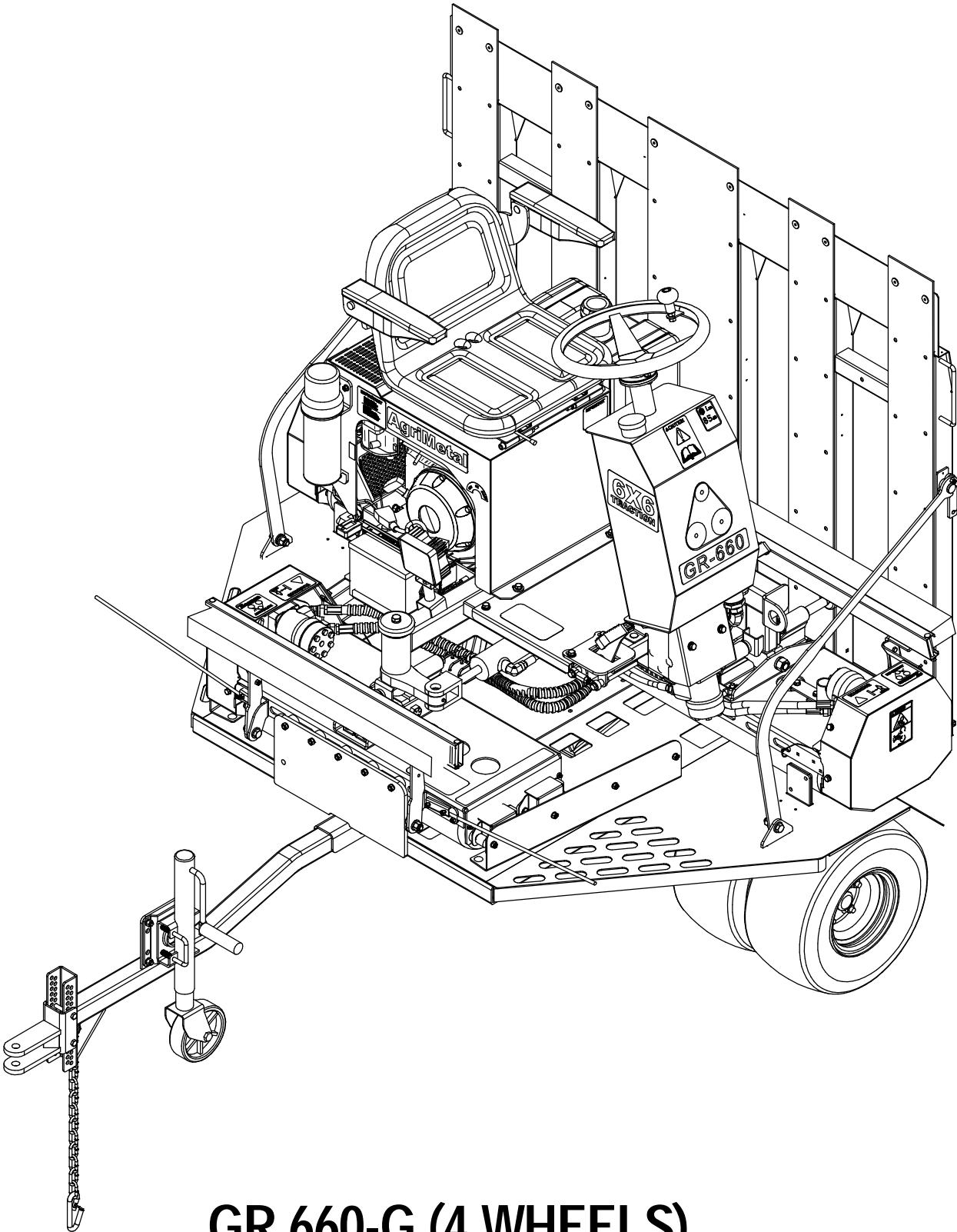
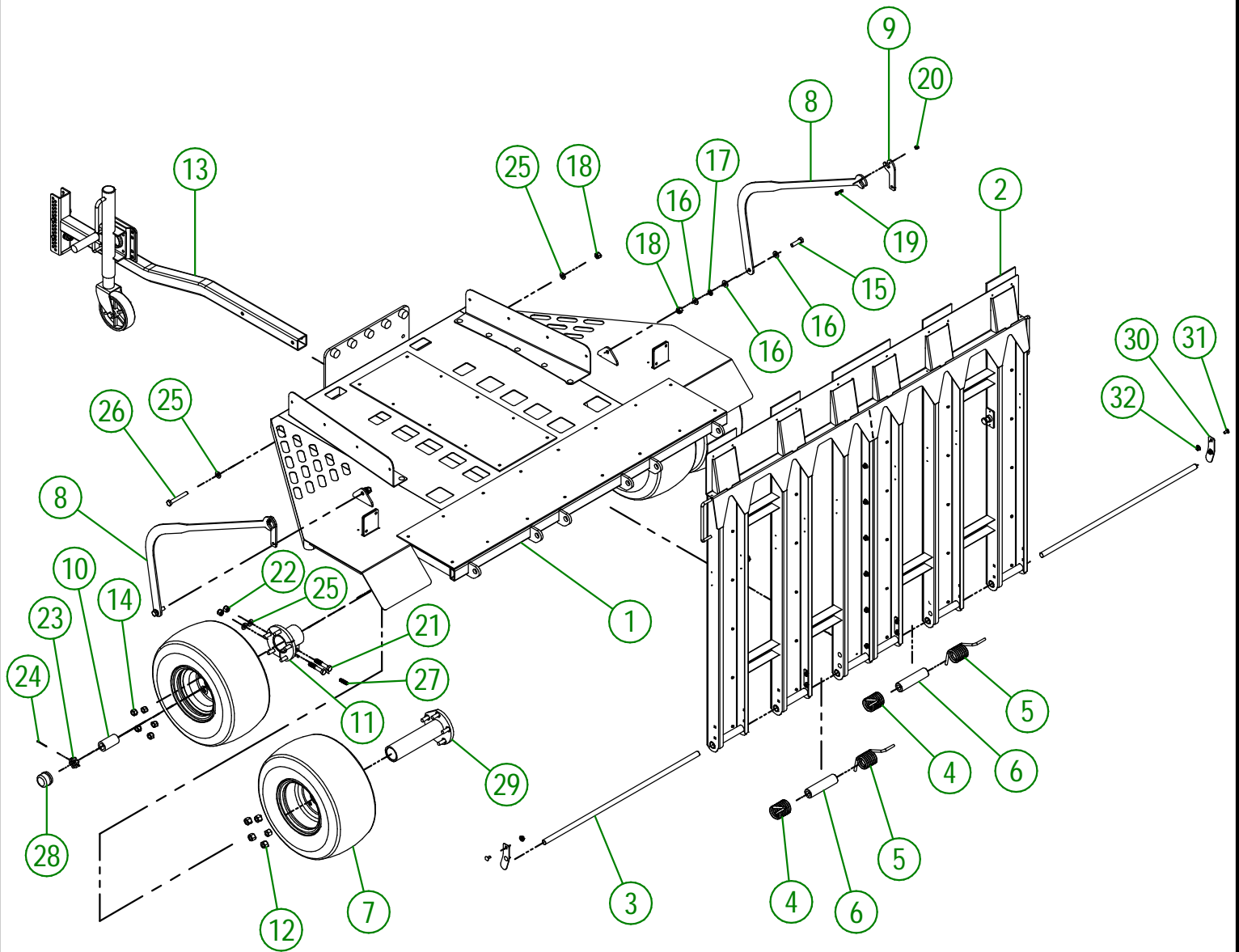


AgriMetal

PART LIST



GR 660-G (4 WHEELS)



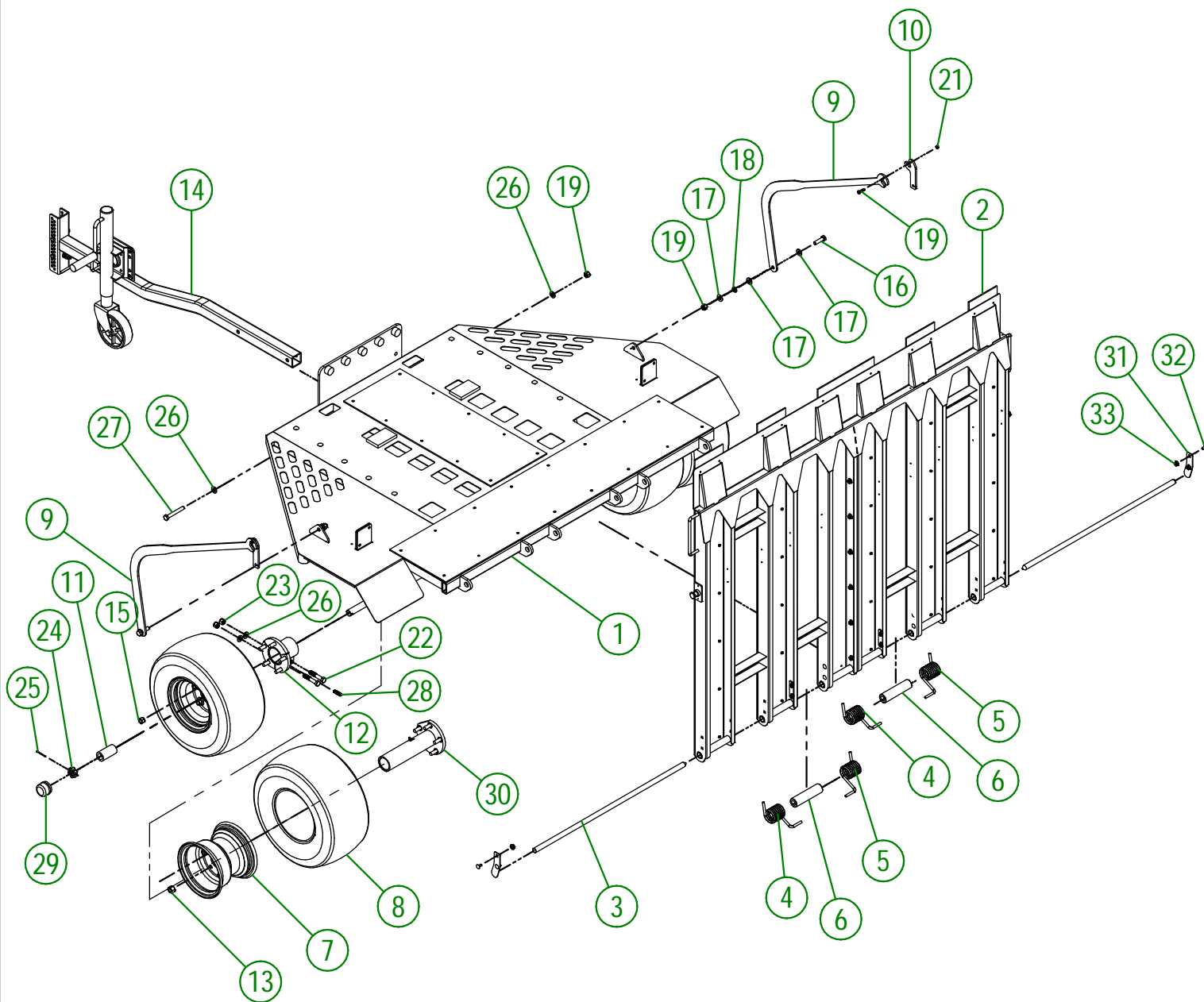
USE THESE PIECES ONLY IF YOUR SERIAL
NUMBER IS AFFECTED:

BETWEEN # 45185 AND # 45471

AGRIMETAL	
TRAILER (4 WHEELS)	
CREATION : 16/08/23	ASSEMBLY : 39-55-0353
REVISION : 13/03/24	AUTHOR : D. CHASSÉ

39-55-0353

#	PART #	Qty	TITLE
1	39-57-0351	1	TRAILER (4 WHEELS)
2	39-55-0307	1	PRE-ASS'Y RAMP
3	39-13-1016	2	PIVOT RAMP
4	NC13-85-0054	2	TRAILER RAMP SPRING
5	NC13-85-0053	2	TRAILER RAMP SPRING
6	39-42-0120	2	SPRING BUSHING
7	NC14-70-0641	4	TRAILER WHEEL
8	39-04-0356	2	RAMP LOCK (RIGHT) GR660-E
9	39-04-0360	2	DOOR LOCK
10	39-09-0015	2	WHEEL AXLE RING
11	39-55-0180	2	WHEEL HUB
12	39-25-0005	10	INTERIOR WHEEL HUB NUT
13	39-55-0313	1	PRE-ASSEM. TONGUE
14	NC02-12-0005	10	HEX. NUT ZINC 1/2-20
15	NC01-17-0250	2	HEX. BOLT GR2 ZINC 1/2-13 X 1 3/4"
16	NC02-25-0011	6	WASHER SAE ZINC 17/32 ID
17	NC02-32-0014	2	LOCK WASHER ZINC 1/2"
18	NC01-96-0014	5	NYLON-INSERT LOCKNUT ZINC 1/2-13
19	NC01-29-0006	2	HEX. BOLT GR5 NF ZINC 1/4-28 X 1 1/2
20	NC01-97-0004	2	NYLON-INSERT LOCKNUT ZINC 1/4-28
21	NC01-29-0253	4	HEX. BOLT GR2 ZINC 1/2-20 X 2 1/2"
22	NC01-97-0008	4	HEX. LOCK NUT NYLO. NF Z 1/2-20
23	NC14-70-0310	2	SLOTTED NUT 1-14
24	NC14-70-0311	2	COTTER PIN ZINC 5/32" X 2"
25	01-01-0925	9	WASHER
26	NC01-17-0257	3	HEX. BOLT GR2 ZINC 1/2-13 X 3 1/2"
27	NC02-44-0124	2	3/8-16 X 1 1/2 SET SCREW
28	NC14-70-0092	2	DUST GUARD
29	39-55-0335	2	WHEEL HUB ASS'Y
30	39-01-0385	2	PIVOT STOPPER OF RAMP
31	NC01-04-0055	4	CARR. BOLT GR2 ZINC 5/16-18 X 5/8"
32	NC02-14-0006	4	HEX. NUT SPECIAL FLANGET NC 5/16-18 B GRADE



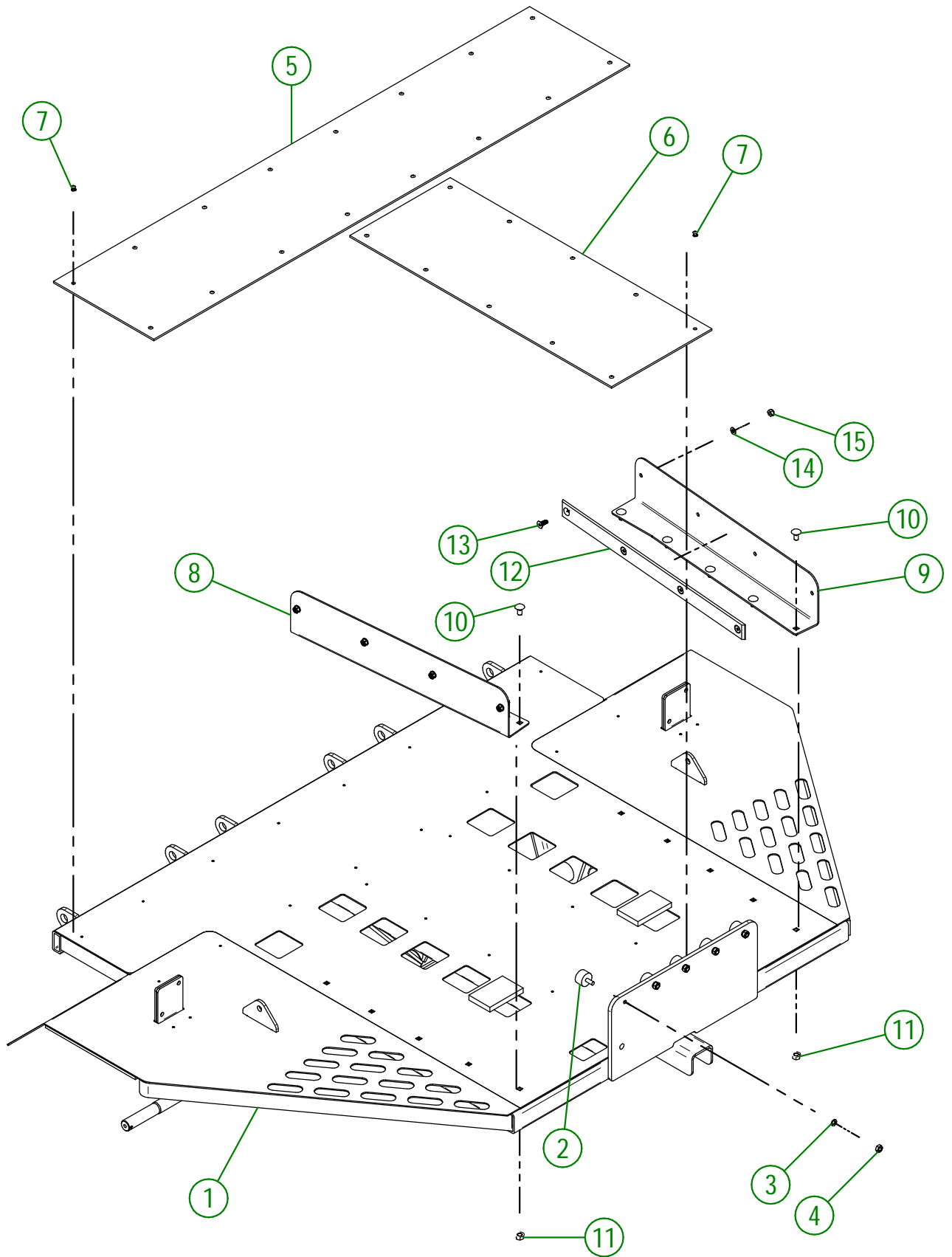
USE THESE PIECES ONLY IF YOUR SERIAL
NUMBER IS AFFECTED:

45472 AND ABOVE

AGRIMETAL	
TRAILER (4 WHEELS)	
CREATION : 21/12/23	ASSEMBLY : 39-55-0354
REVISION : 03/12/24	AUTHOR : D. CHASSÉ

39-55-0354

#	PART#	QTY	TITLE
1	39-57-0352	1	TRAILER (4 WHEELS)
2	39-55-0308	1	PRE-ASS'Y RAMP
3	39-13-1016	2	PIVOT RAMP
4	NC13-85-0054	2	TRAILER RAMP SPRING
5	NC13-85-0053	2	TRAILER RAMP SPRING
6	39-42-0120	2	SPRING BUSHING
7	NC14-70-0281	4	GR660 RIM
8	NC14-70-0655	4	TIRE GR660
9	39-04-0356	2	RAMP LOCK (RIGHT) GR660-E
10	39-04-0360	2	DOOR LOCK
11	39-09-0015	2	WHEEL AXLE RING
12	39-55-0180	2	WHEEL HUB
13	39-25-0005	10	INTERIOR WHEEL HUB NUT
14	39-55-0313	1	PRE-ASSEM. TONGUE
15	NC02-12-0005	10	HEX. NUT ZINC 1/2-20
16	NC01-17-0250	2	HEX. BOLT GR2 ZINC 1/2-13 X 1 3/4"
17	NC02-25-0011	6	WASHER SAE ZINC 17/32 ID
18	NC02-32-0014	2	LOCK WASHER ZINC 1/2"
19	NC01-96-0014	5	NYLON-INSERT LOCKNUT ZINC 1/2-13
20	NC01-25-0006	2	HEX. BOLT GR5 1/4-20 X 1"
21	NC01-93-0001	2	HEX. LOCK NUT NC ZINC 1/4-20
22	NC01-29-0253	4	HEX. BOLT GR2 ZINC 1/2-20 X 2 1/2"
23	NC01-97-0008	4	HEX. LOCK NUT NYLO. NF Z 1/2-20
24	NC14-70-0310	2	SLOTTED NUT 1-14
25	NC14-70-0311	2	COTTER PIN ZINC 5/32" X 2"
26	01-01-0925	9	WASHER
27	NC01-17-0257	3	HEX. BOLT GR2 ZINC 1/2-13 X 3 1/2"
28	NC02-44-0124	2	3/8-16 X 1 1/2 SET SCREW
29	NC14-70-0092	2	DUST GUARD
30	39-55-0335	2	WHEEL HUB ASS'Y
31	39-01-0385	2	PIVOT STOPPER OF RAMP
32	NC01-04-0055	4	CARR. BOLT GR2 ZINC 5/16-18 X 5/8"
33	NC02-14-0006	4	HEX. NUT SPECIAL FLANGET NC 5/16-18 B GRADE



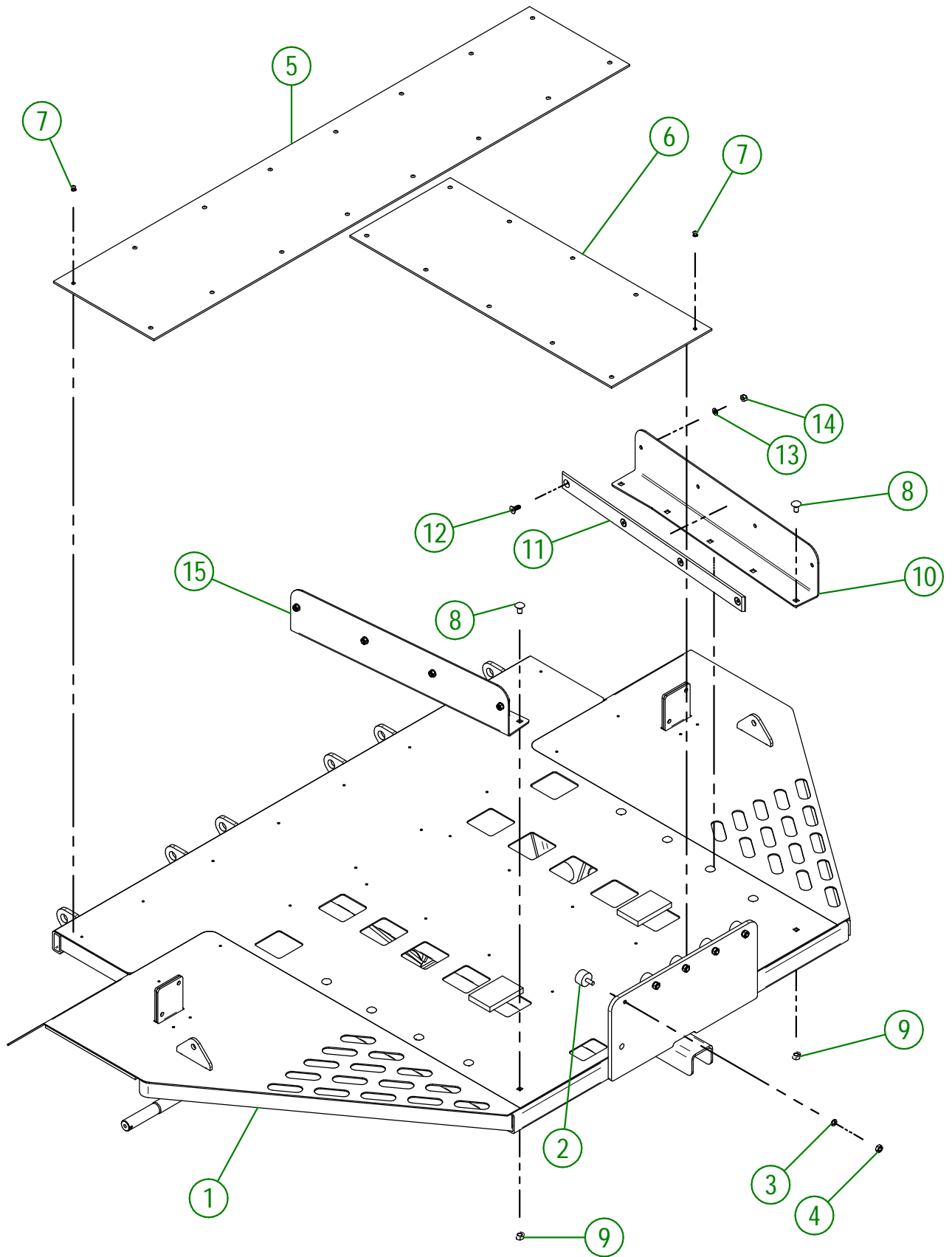
USE THESE PIECES ONLY IF YOUR SERIAL
NUMBER IS AFFECTED:

BETWEEN # 45185 AND # 45471

AGRIMETAL	
TRAILER (4 WHEELS)	
CREATION : 16/08/23	ASSEMBLY : 39-57-0351
REVISION : 13/03/24	AUTHOR : D. Bevins

39-57-0351

#	PART #	Qty	TITLE
1	39-50-0302	1	TRAILER (4 WHEELS)
2	NC13-15-0034	5	RUBBER ABSORBER
3	NC02-32-0011	5	LOCK WASHER ZINC 5/16"
4	NC02-07-0017	5	HEX. NUT 5/16-18
5	39-42-0037	1	TRAILER RUBBER (BEHIND)
6	39-42-0042	1	TRAILER RUBBER (CENTER)
7	NC01-78-0300	26	RIVETS AC. AV. SUPR. TI. AC. .187 X .515 CAP. RIVET .270
8	39-01-0201	1	POSITIONING GUIDE (RIGHT)
9	39-01-0206	1	POSITIONING GUIDE (LEFT)
10	NC01-04-0107	10	CARR. BOLT GR2 ZINC 3/8-16 X 3/4"
11	NC02-14-0019	10	FLANGE NUT HEX. NC 3/8-16 GR. B
12	39-42-0155	2	SLIDER
13	NC02-48-0020	8	SOCKET HEAD SCREW 6 P.C. 5/16-20 X 3/4"
14	NC02-22-0008	8	WASHER ZINC 5/16"
15	NC01-93-0010	8	LOCK NUT ZINC 5/16-18



USE THESE PIECES ONLY IF YOUR SERIAL NUMBER IS AFFECTED:

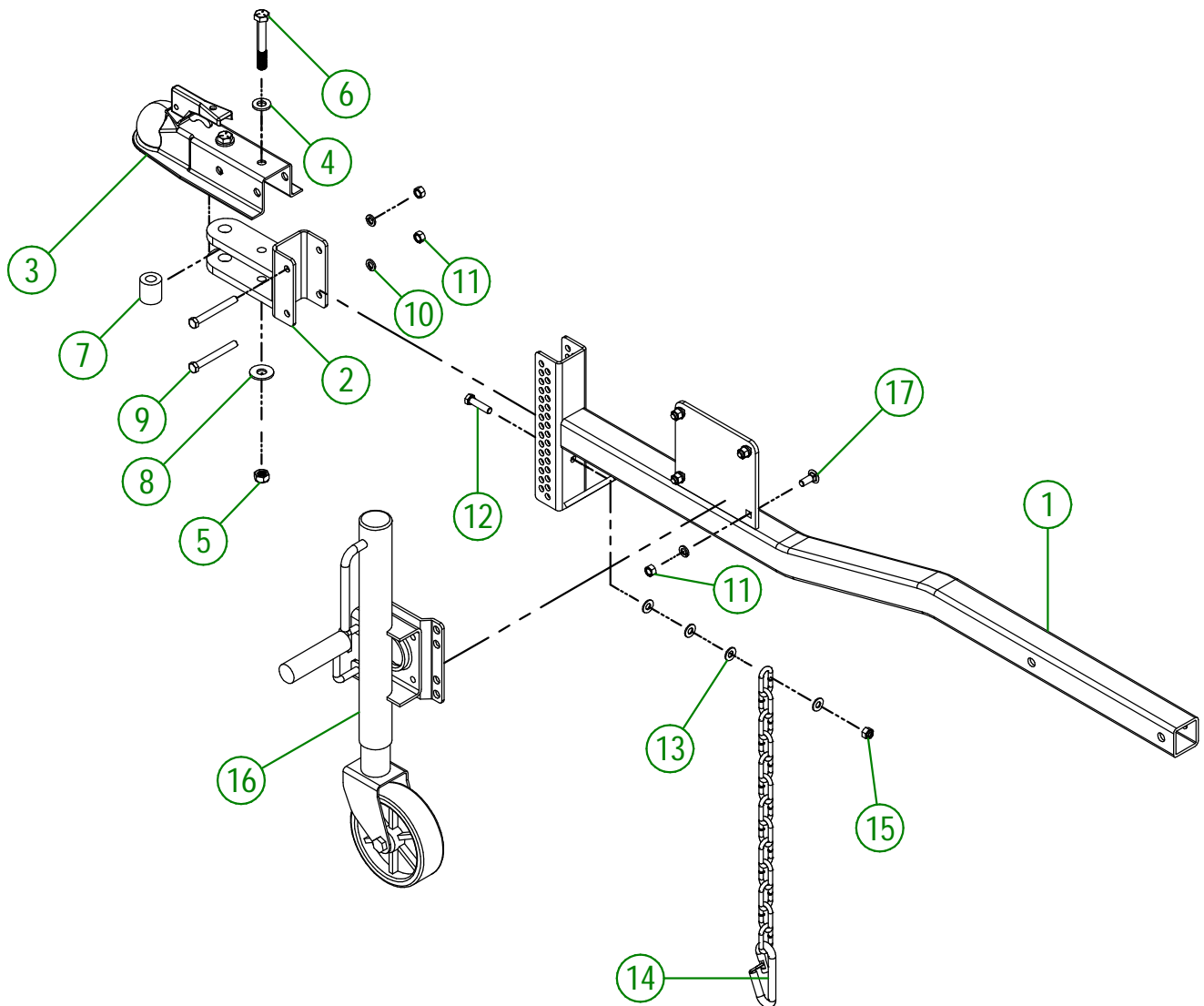
45472 AND ABOVE

AGRIMETAL	
TRAILER (4 WHEELS)	
CREATION : 21/12/23	ASSEMBLY : 39-57-0352
REVISION : 13/03/24	AUTHOR : D. Bevins

39-57-0352

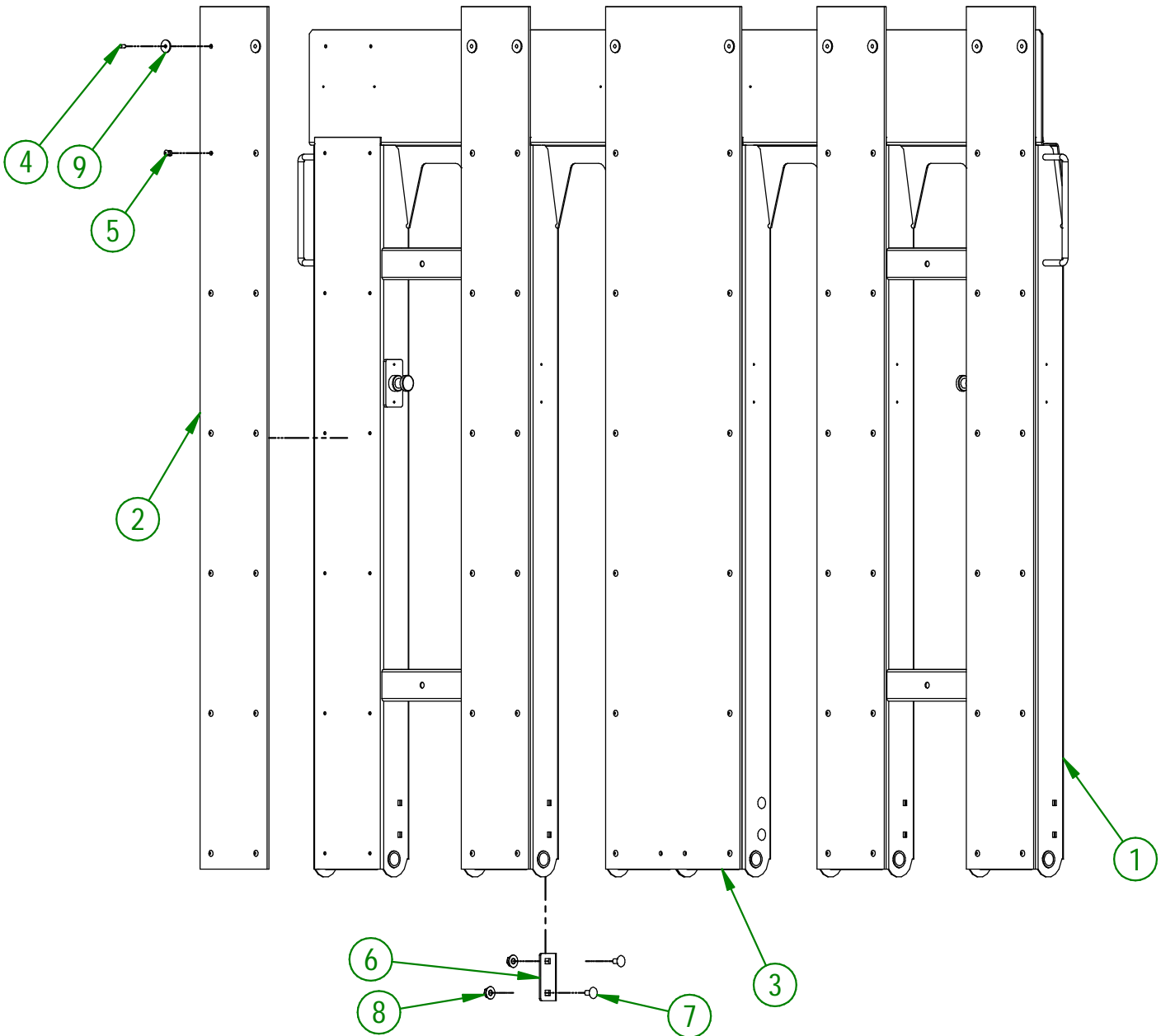
#	PART #	Qty	TITLE
1	39-50-0304	1	TRAILER (4 WHEELS)
2	NC13-15-0034	5	RUBBER ABSORBER
3	NC02-32-0011	5	LOCK WASHER ZINC 5/16"
4	NC02-07-0017	5	HEX. NUT 5/16-18
5	39-42-0037	1	TRAILER RUBBER (BEHIND)
6	39-42-0042	1	TRAILER RUBBER (CENTER)
7	NC01-78-0300	26	RIVETS AC. AV. SUPR. TI. AC. .187 X .515 CAP. RIVET .270
8	NC01-04-0107	10	CARR. BOLT GR2 ZINC 3/8-16 X 3/4"
9	NC02-14-0019	10	FLANGE NUT HEX. NC 3/8-16 GR. B
10	39-01-0206	1	POSITIONING GUIDE (LEFT)
11	39-42-0155	2	SLIDER
12	NC02-48-0020	8	SOCKET HEAD SCREW 6 P.C. 5/16-20 X 3/4"
13	NC02-22-0008	8	WASHER ZINC 5/16"
14	NC01-93-0010	8	LOCK NUT ZINC 5/16-18
15	39-01-0201	1	POSITIONING GUIDE (RIGHT)

#	PART #	Qty	TITLE
1	39-50-0326	1	TRAILER TONGUE
2	23-50-0045	1	HITCH HAND
3	NC13-80-0290	1	2" HITCH BALL COUPLER
4	NC02-25-0011	2	WASHER SAE ZINC 17/32 ID
5	NC01-93-0014	2	LOCK NUT ZINC 1/2-13
6	NC01-25-0257	2	HEX. BOLT GR5 ZINC 1/2-13 X 3 1/2"
7	23-09-0100	1	HITCH SPACER
8	NC02-22-0012	2	WASHER ZINC 1/2 BOLT = 9/16"Ø X 1 3/8" OD
9	NC01-17-0123	2	HEX. BOLT GR2 ZINC 3/8-16 X 3 1/4"
10	NC02-32-0012	6	LOCK WASHER ZINC 3/8"
11	NC02-07-0018	6	HEX. NUT ZINC 3/8-16
12	NC01-17-0116	1	HEX. BOLT GR2 ZINC 3/8-16 X 1 1/2"
13	NC02-22-1010	4	3/8" ZINC PLATED WASHER
14	55-41-0000	1	SAFETY CHAIN
15	NC01-96-0011	1	NYLON NUT 3/8-16
16	39-55-0330	1	ADJUSTABLE WHEEL CRUTCH
17	NC01-04-0109	4	CARR. BOLT GR2 ZINC 3/8-16 X 1"



AGRIMETAL	
PRE-ASSEM. TONGUE	
CREATION : 12/02/20	ASSEMBLY : 39-55-0313
REVISION : 05/11/24	AUTHOR : D. Bevins

#	PART #	Qty	TITLE
1	39-50-0308	1	TRAILER RAMP
2	39-42-0032	4	RUBBER RAMP
3	39-42-0031	1	RAMP RUBBER
4	NC01-78-0405	10	STEEL BLIND POP RIVET STEEL MANDREL 0.187 X 0.690
5	NC01-78-0300	62	RIVETS AC. AV. SUPR. TI. AC. .187 X .515 CAP. RIVET .270
6	39-01-0170	4	TRAILER RAMP REINFORCEMENT
7	NC01-04-0055	8	CARR. BOLT GR2 ZINC 5/16-18 X 5/8"
8	NC02-14-0006	8	HEX. NUT SPECIAL FLANGET NC 5/16-18 B GRADE
9	16-01-2720	10	WASHER 13/16" DIA. X 13/64"

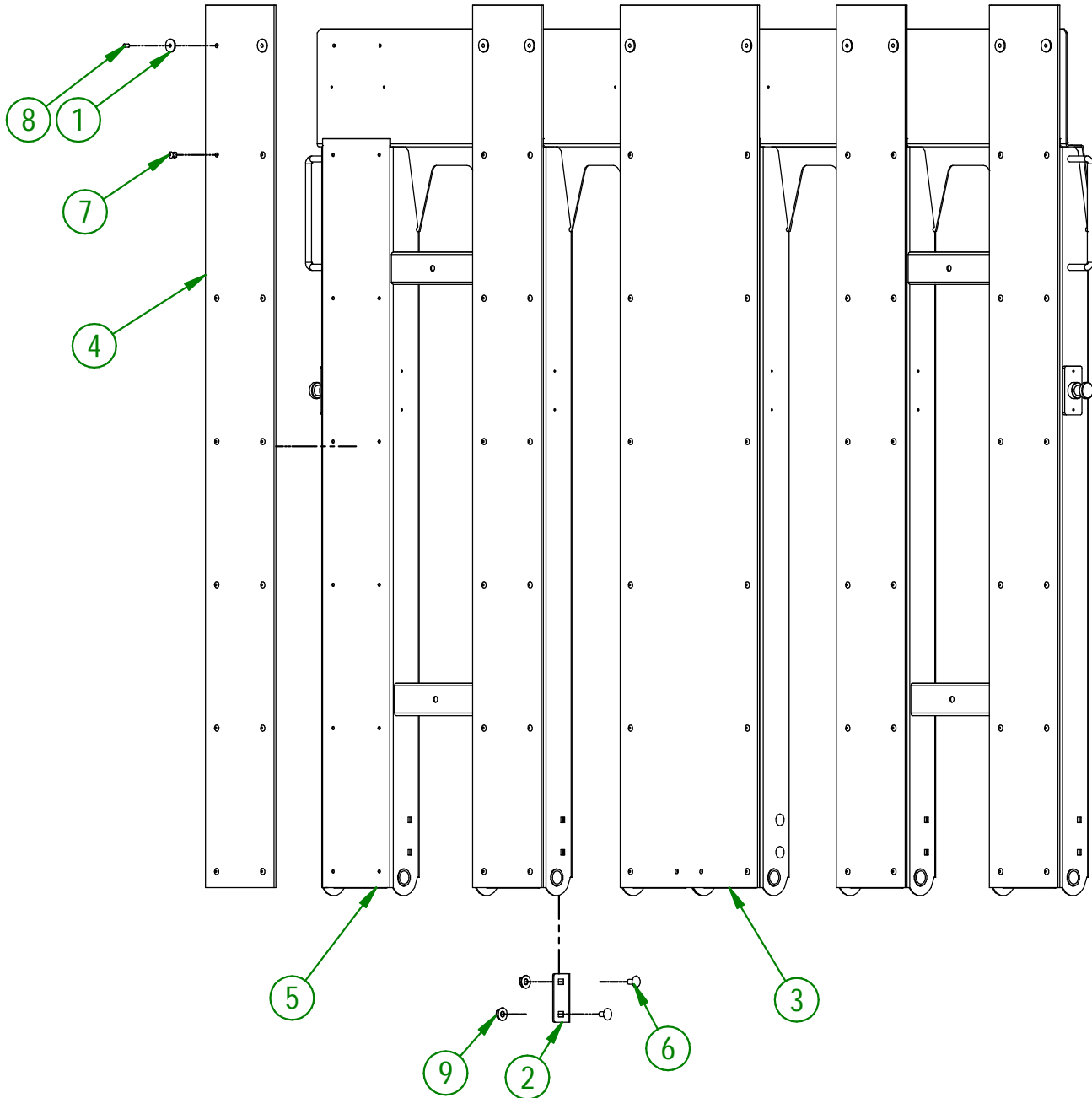


USE THESE PIECES ONLY IF YOUR SERIAL NUMBER IS AFFECTED:

BETWEEN #45185 & #45472

AGRIMETAL	
PRE-ASS'Y RAMP	
CREATION : 15/09/22	ASSEMBLY : 39-55-0307
REVISION : 13/03/24	AUTHOR : D. CHASSÉ

#	PART #	Qty	TITLE
1	16-01-2720	10	WASHER 13/16" DIA. X 13/64"
2	39-01-0170	4	TRAILER RAMP REINFORCEMENT
3	39-42-0031	1	RAMP RUBBER
4	39-42-0032	4	RUBBER RAMP
5	39-50-0309	1	TRAILER RAMP
6	NC01-04-0055	8	CARR. BOLT GR2 ZINC 5/16-18 X 5/8"
7	NC01-78-0300	62	RIVETS AC. AV. SUPR. TI. AC. .187 X .515 CAP. RIVET .270
8	NC01-78-0405	10	STEEL BLIND POP RIVET STEEL MANDREL 0.187 X 0.690
9	NC02-14-0006	8	HEX. NUT SPECIAL FLANGET NC 5/16-18 B GRADE

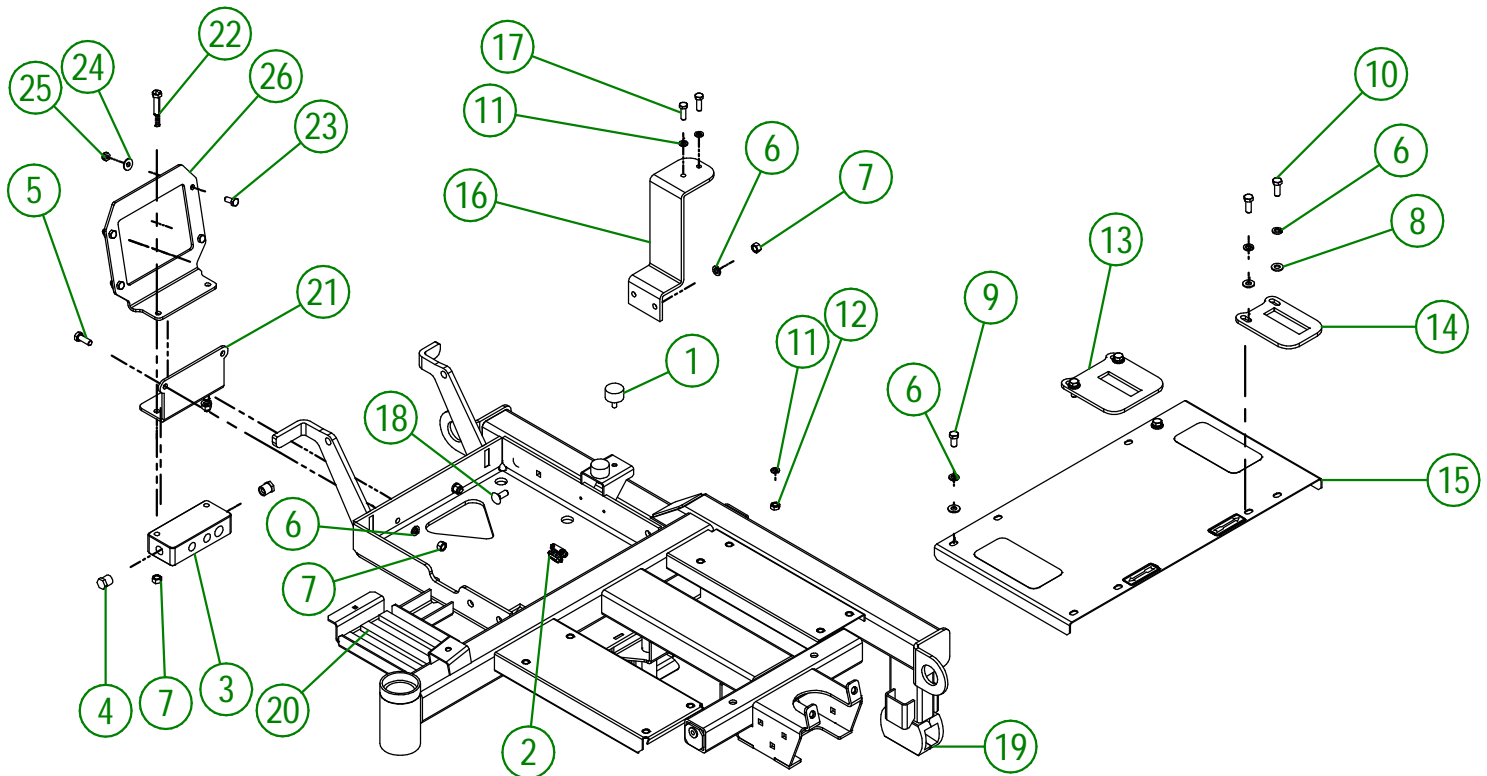


USE THESE PIECES ONLY IF YOUR SERIAL NUMBER IS AFFECTED:

#45472 & ABOVE

AGRIMETAL	
PRE-ASS'Y RAMP	
CREATION : 13/03/24	ASSEMBLY : 39-55-0308
REVISION : 13/03/24	AUTHOR : D. CHASSÉ

#	PART #	Qty	TITLE
1	NC13-15-0034	2	RUBBER ABSORBER
2	NC13-25-0378	2	WHITE METAL CONNECTOR
3	39-21-0200	1	HYDRAULIC DISPENSING BLOCK
4	NC13-45-0221	2	HEXAGONAL PLUG
5	NC01-25-0114	2	HEX. BOLT GR5 ZINC 3/8-16 X 1"
6	NC02-32-0012	12	LOCK WASHER ZINC 3/8"
7	NC02-07-0018	6	HEX. NUT ZINC 3/8-16
8	01-01-2485	6	FLAT WASHER 14 GA X 13/16"OD X 25/64" ID
9	NC01-17-0112	2	HEX. BOLT GR2 ZINC 3/8-16 X 3/4"
10	NC01-17-0114	4	HEX. BOLT GR2 ZINC 3/8-16 X 1"
11	NC02-32-0011	4	LOCK WASHER ZINC 5/16"
12	NC02-07-0017	2	HEX. NUT 5/16-18
13	39-04-0186	1	STOPPER PLATE FOR PEDAL (RIGHT)
14	39-04-0188	1	STOPPER PLATE FOR PEDAL (LEFT)
15	39-57-0125	1	FOOTBOARD "STICKER INCLUDED"
16	39-50-0020	1	OIL FILTER HOLDER
17	NC01-25-0060	2	HEX. BOLT GR5 ZINC 5/16-18 X 1"
18	NC01-04-0109	2	CARR. BOLT GR2 ZINC 3/8-16 X 1"
19	39-50-0001	1	FRAME
20	39-42-0160	3	BLACK ADHESIVE-BACK STRIP
21	39-04-0611	1	HYDRAULIC BLOCK SUPPORT
22	NC01-25-0120	2	HEX. BOLT ZINC 3/8-16 X 2 1/2"
23	NC01-17-0058	4	HEX. BOLT GR2 ZINC 5/16-18 X 3/4" LG
24	NC02-22-0008	4	WASHER ZINC 5/16"
25	NC01-93-0010	4	LOCK NUT ZINC 5/16-18
26	39-04-0701	1	COOLING OIL SUPPORT



USE THESE PIECES ONLY IF YOUR SERIAL NUMBER IS AFFECTED:

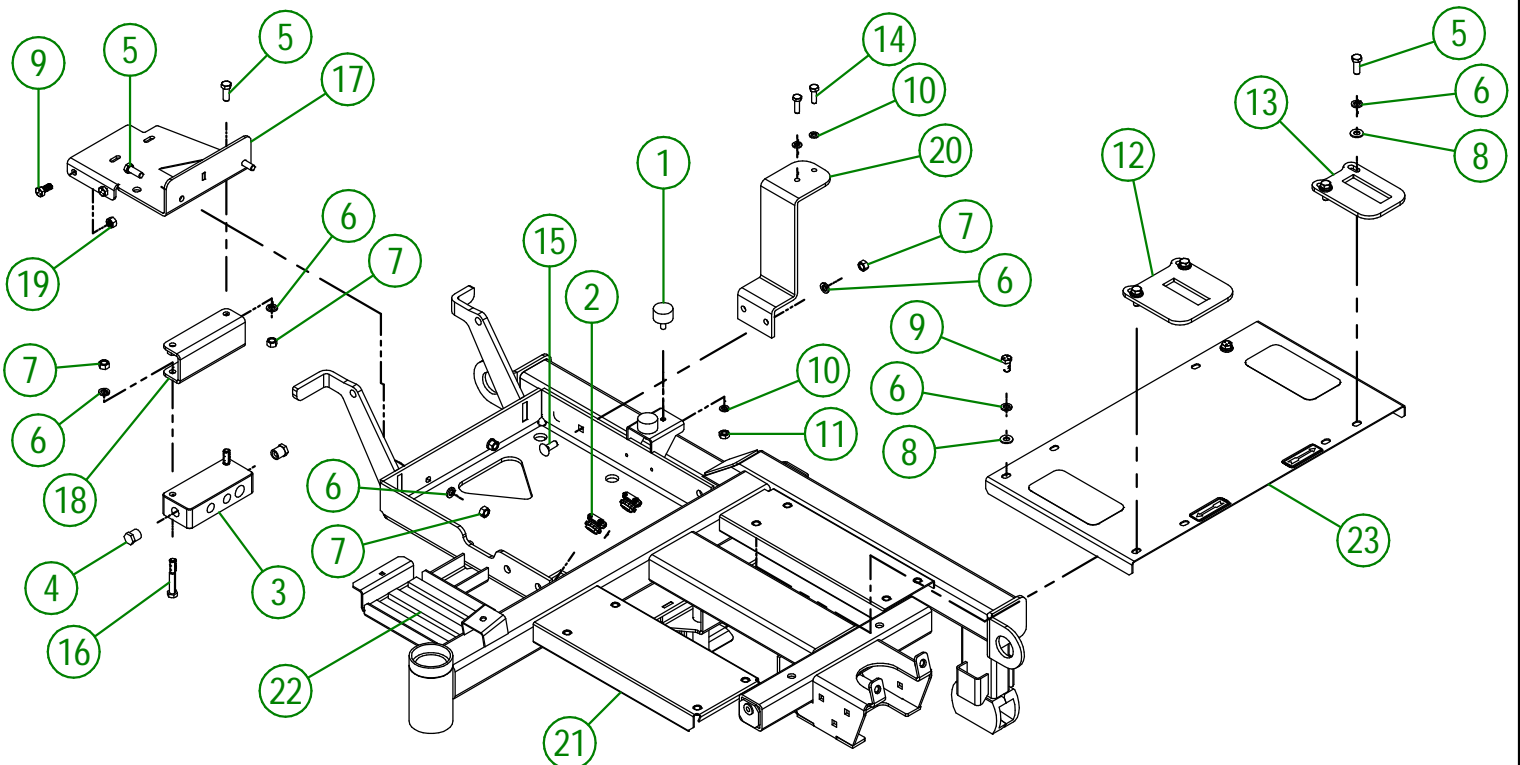
#47709 AND UNDER

AGRIMETAL
FRAME GROUP

CREATION : 16/01/24
REVISION : 01/10/25

ASSEMBLY : **39-57-0003**
AUTHOR : D. Bevins

#	PART #	QTY	TITLE
1	NC13-15-0034	2	RUBBER ABSORBER
2	NC13-25-0378	2	WHITE METAL CONNECTOR
3	39-21-0200	1	HYDRAULIC DISPENSING BLOCK
4	NC13-45-0221	2	HEXAGONAL PLUG
5	NC01-25-0114	8	HEX. BOLT GR5 ZINC 3/8-16 X 1"
6	NC02-32-0012	14	LOCK WASHER ZINC 3/8"
7	NC02-07-0018	8	HEX. NUT ZINC 3/8-16
8	NC02-25-0009	6	FLAT WASHER 14 GA X 13/16"OD X 25/64" ID
9	NC01-25-0112	4	HEX BOLT ZINC 3/8-16 X 3/4"
10	NC02-32-0011	4	LOCK WASHER ZINC 5/16"
11	NC02-07-0017	2	HEX. NUT 5/16-18
12	39-04-0186	1	STOPPER PLATE FOR PEDAL (RIGHT)
13	39-04-0188	1	STOPPER PLATE FOR PEDAL (LEFT)
14	NC01-25-0060	2	HEX. BOLT GR5 ZINC 5/16-18 X 1"
15	NC01-07-0109	2	CARR. BOLT GR5 ZINC 3/8-16 X 1"
16	NC01-25-0120	2	HEX. BOLT ZINC 3/8-16 X 2 1/2"
17	39-50-0225	1	OIL COOLER SUPPORT
18	39-04-0613	1	HYDRAULIC BLOCK SUPPORT
19	NC01-93-0011	2	LOCK NUT 3/8-16
20	39-50-0020	1	OIL FILTER HOLDER
21	39-50-0001	1	FRAME
22	39-42-0160	3	BLACK ADHESIVE-BACK STRIP
23	39-57-0125	1	FOOTBOARD "STICKER INCLUDED"



USE THESE PIECES ONLY IF YOUR SERIAL
NUMBER IS AFFECTED:

#47710 AND ABOVE

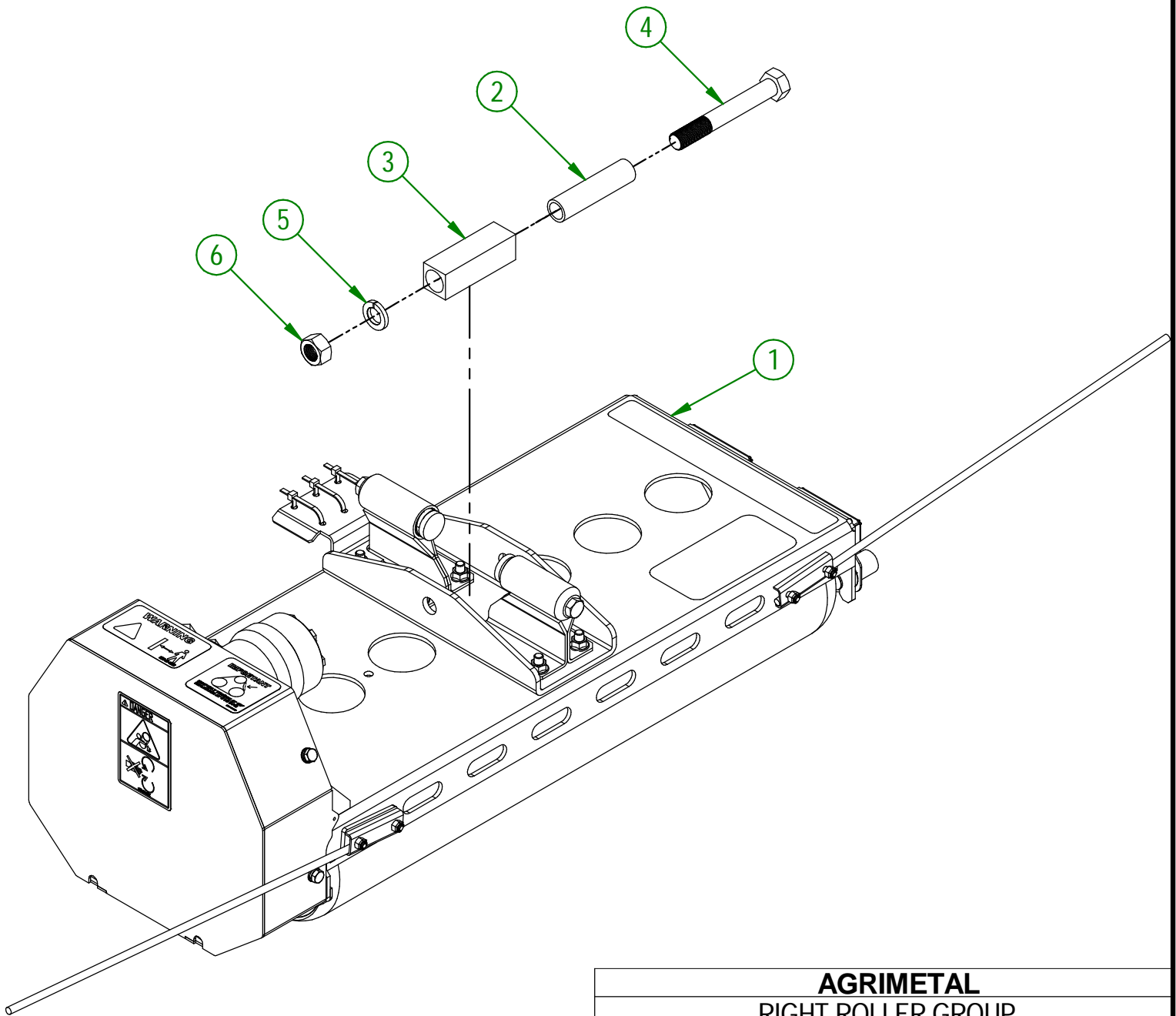
AGRIMETAL FRAME GROUP

CREATION : 01/10/25
REVISION : 01/10/25

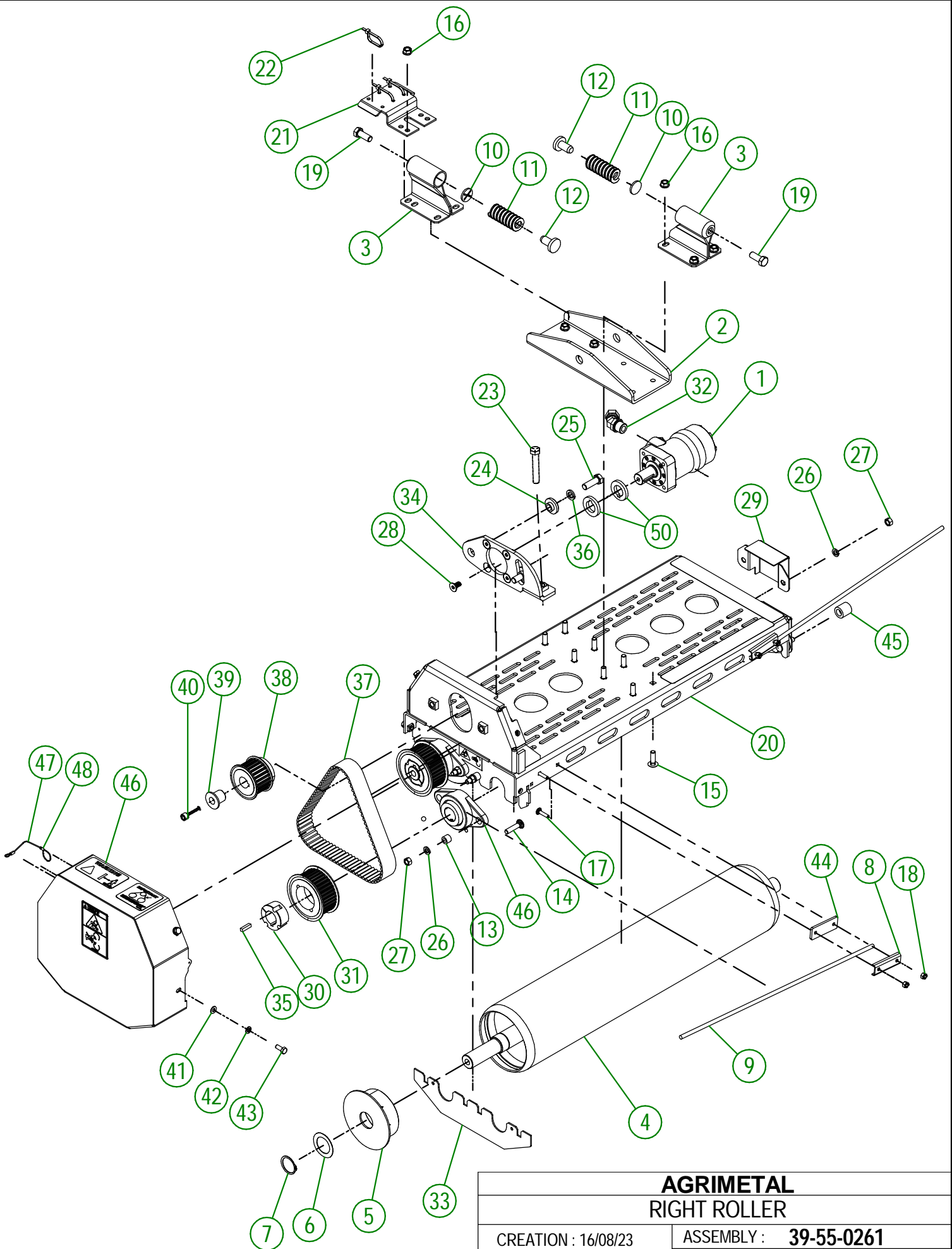
ASSEMBLY : **39-57-0425**
AUTHOR : J. Houle

39-57-1100

#	PART #	Qty	TITLE
1	39-55-0261	1	RIGHT ROLLER
2	39-09-1205	1	BUSHING
3	39-42-0700	1	PIVOTING BLOCK
4	NC01-37-0480	1	HEX. BOLT GR8 ZINC 3/4-16 X 5 1/2"
5	NC02-32-0017	1	LOCK WASHER ZINC 3/4"
6	NC02-11-0023	1	NUT 3/4-16



AGRIMETAL	
RIGHT ROLLER GROUP	
CREATION : 17/01/24	ASSEMBLY : 39-57-1100
REVISION : 17/01/24	AUTHOR : D. CHASSÉ



**AGRIMETAL
RIGHT ROLLER**

CREATION : 16/08/23
REVISION : 29/10/24

ASSEMBLY : **39-55-0261**
AUTHOR : D. CHASSÉ

39-55-0261

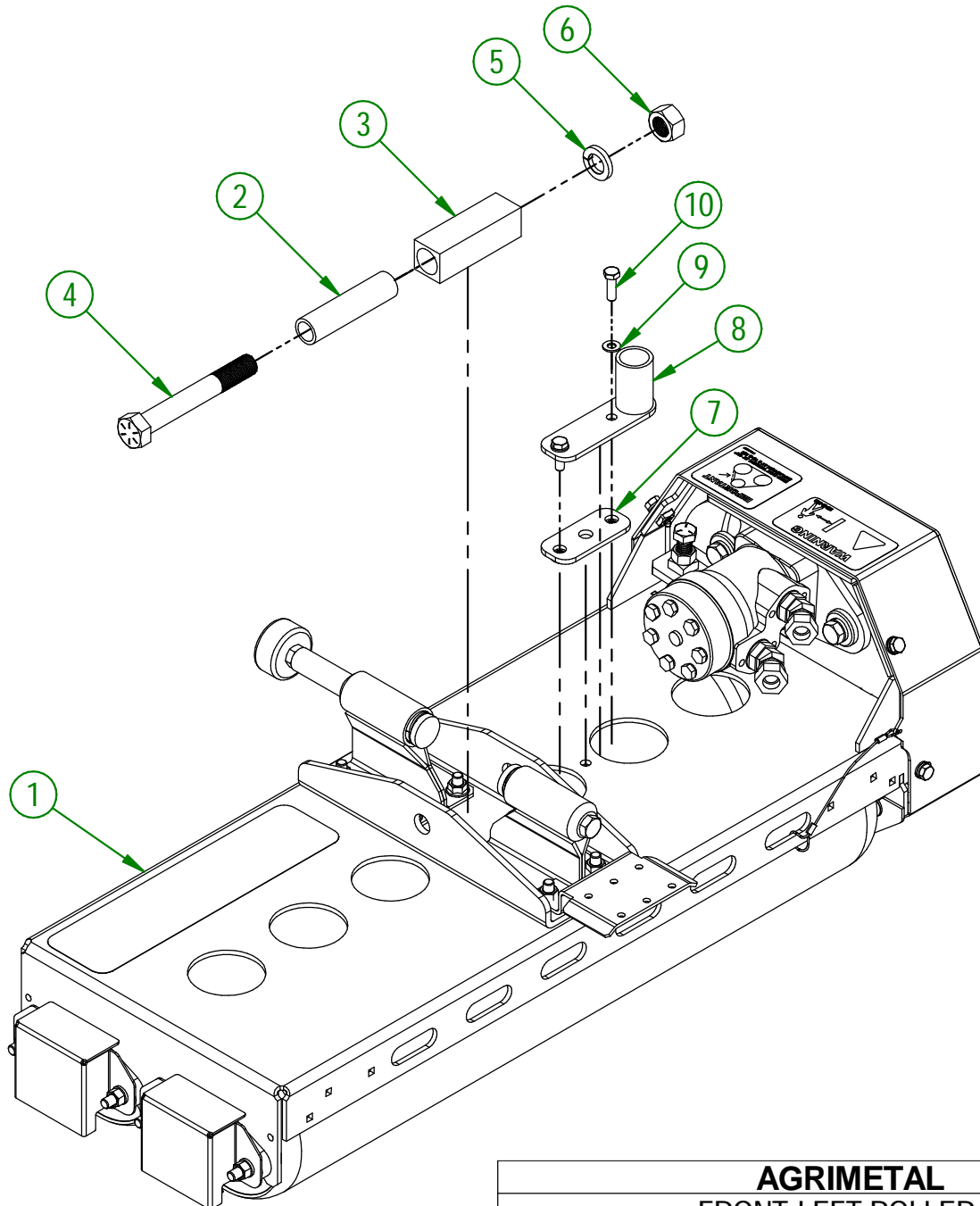
#	PART#	QTY	TITLE
1	NC14-45-0041	1	100cc HYDRAULIC MOTOR
2	39-04-0225	1	ROLLER SUPPORT
3	39-50-0045	2	SPRING GUIDE
4	39-50-0099	2	ROLLER (I KW)
5	NC17-46-0032	4	ROLLER CAP
6	NC02-19-5008	4	SPACING WASHER 1/32" X 1 1/2" ID X 2 1/4" OD
7	NC01-64-0022	4	QD BUSHING
8	39-01-2440	2	GUIDE ROD CLAMP
9	39-42-0600	2	GUIDE ROD
10	39-01-1000	2	SPRING GUIDE WASHER
11	NC13-86-0159	2	RED SPRING 1 1/4"OD X 5/8"ID X 2" LG
12	39-42-0100	2	SPRING TIP
13	01-09-0000	8	BEARING RACE (UCFL205-16)
14	NC01-04-0111	8	CARR. BOLT GR2 ZINC 3/8-16 X 1 1/2"
15	NC01-04-0110	8	CARR. BOLT GR2 ZINC 3/8-16 X 1 1/4"
16	NC02-14-0019	8	FLANGE NUT HEX. NC 3/8-16 GR. B
17	NC01-04-0005	4	CARR. BOLT GR2 ZINC 1/4-20 X 1"
18	NC01-96-0009	4	NYLON-INSERT LOCKNUT ZINC 1/4-20
19	NC01-17-0248	2	HEX. BOLT GR2 ZINC 1/2-13 X 1 1/4"
20	39-57-0158	1	ROLLER HOUSING RIGHT
21	39-01-1051	1	HYDRAULIC HOSE SUPPORT
22	NC13-25-0019	3	NYLON CABLE TIE
23	NC01-25-0566	1	FULL THREAD HEX BOLT GR5 ZINC 1/2-13 X 3"
24	39-13-0060	2	GUIDE WASHER
25	NC01-25-0249	2	HEX. BOLT GR5 ZINC 1/2-13 X 1 1/2" LG
26	NC02-32-0012	8	LOCK WASHER ZINC 3/8"
27	NC02-07-0018	8	HEX. NUT ZINC 3/8-16
28	NC02-48-0031	4	SOCKET HEAD CAP SCREW 3/8-16 X 3/4"
29	39-01-0131	2	BEARING GUARD
30	NC14-60-0015	2	TAPER LOCK 1610 X 1 1/4"
31	NC14-60-0014	2	38-C8M-36 STEEL PULLEY
32	NC13-45-0046	2	45°-7/8-14 MALE O RING X 1/2 FEM.TOUR.NPT PT
33	39-01-0366	1	BELT GUARD PLATE
34	39-50-0165	1	BELT TENSIONER
35	NC01-65-0095	2	SQUARE KEY 1/4" X 1"
36	NC02-32-0014	2	LOCK WASHER ZINC 1/2"
37	NC14-25-5381	1	SYNCHROCHAIN POLY BELT
38	NC14-60-0013	1	38-C8M-36 STEEL PULLEY
39	39-13-0300	1	PULLEY RETAINER
40	NC02-50-0033	1	SOCKET HEAD SCREW 3/8-16 X 1 1/2"
41	NC02-22-0008	4	WASHER ZINC 5/16"
42	NC02-32-0011	4	LOCK WASHER ZINC 5/16"
43	NC01-17-0058	4	HEX. BOLT GR2 ZINC 5/16-18 X 3/4" LG
44	39-04-0635	1	GUIDE ROD SPACER

39-55-0261

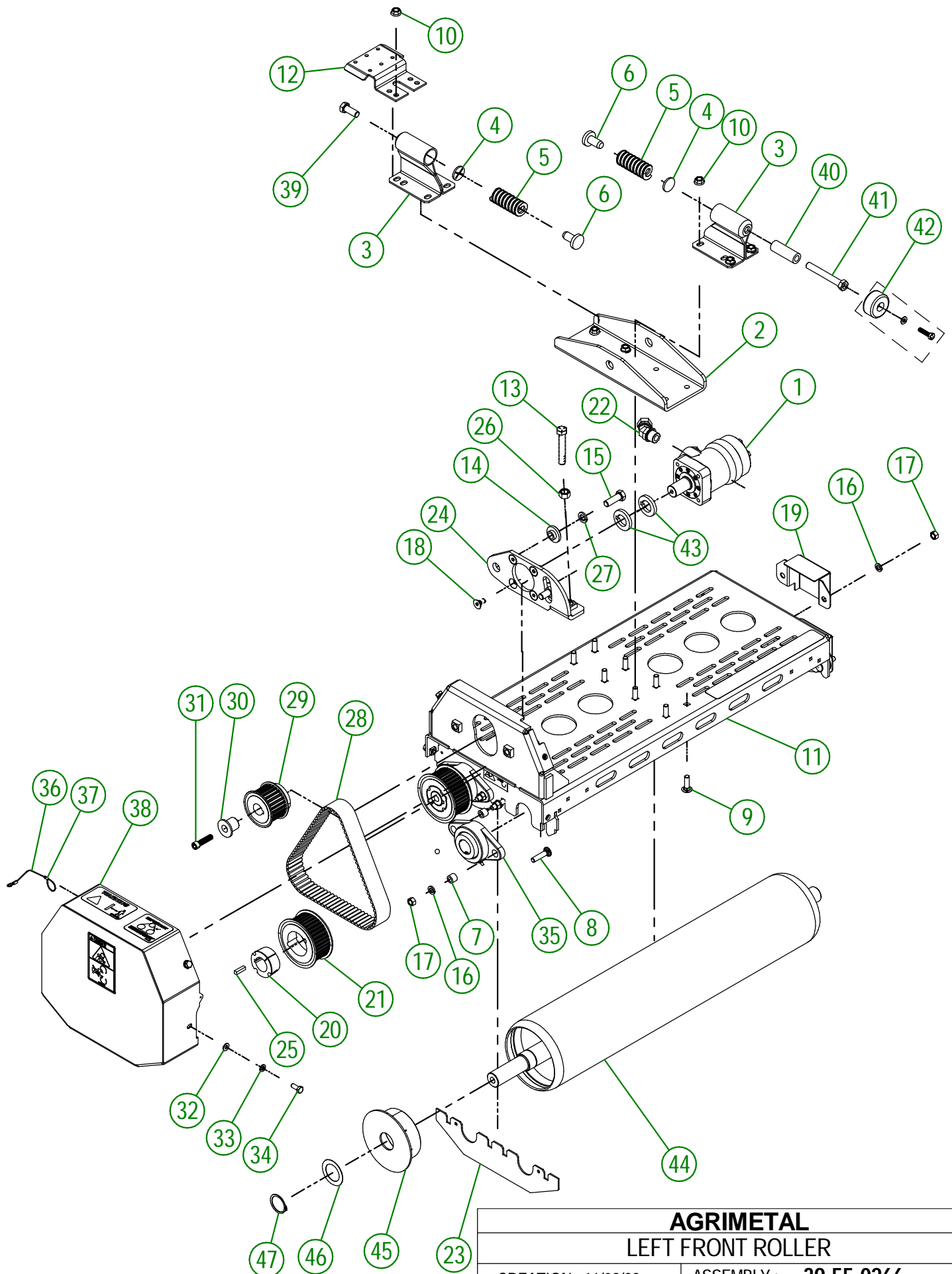
#	PART#	QTY	TITLE
45	39-42-0111	1	ROLLER NUT CAP
46	NC14-75-0114	4	FLANGE PILLOW BLOCK BEARING UCFL206-20 \varnothing 1 1/4"
47	39-41-0000	1	BELT GUARD CABLE
48	NC01-64-0005	2	OVAL SLEEVE (ALUMINUM)
49	39-57-0062	1	BELT GUARD "STICKER INCL."
50	39-04-0660	2	PULLEY SPACER

39-57-1105

#	PART #	Qty	TITLE
1	39-55-0266	1	LEFT FRONT ROLLER
2	39-09-1205	1	BUSHING
3	39-42-0700	1	PIVOTING BLOCK
4	NC01-37-0480	1	HEX. BOLT GR8 ZINC 3/4-16 X 5 1/2"
5	NC02-32-0017	1	LOCK WASHER ZINC 3/4"
6	NC02-11-0023	1	NUT 3/4-16
7	39-50-0220	1	BACK PLATE
8	39-50-0230	1	FLAG HOLDER
9	NC02-22-0008	2	WASHER ZINC 5/16"
10	NC01-25-0060	2	HEX. BOLT GR5 ZINC 5/16-18 X 1"



AGRIMETAL	
FRONT-LEFT ROLLER	
CREATION : 17/01/24	ASSEMBLY : 39-57-1105
REVISION : 17/01/24	AUTHOR : D. CHASSÉ



AGRIMETAL
LEFT FRONT ROLLER

CREATION : 16/08/23
 REVISION : 29/10/24

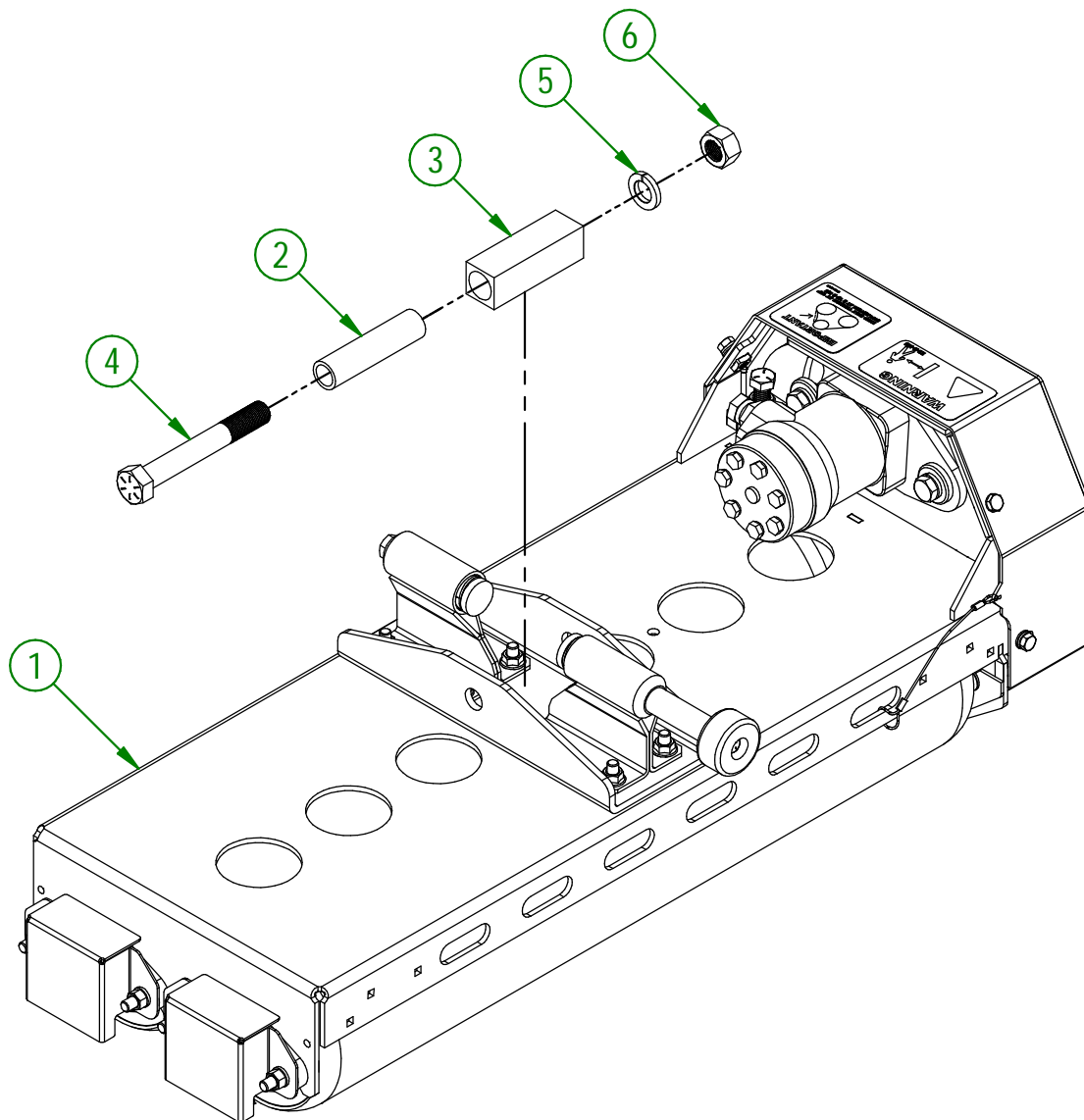
ASSEMBLY : **39-55-0266**
 AUTHOR : D. CHASSÉ

39-55-0266

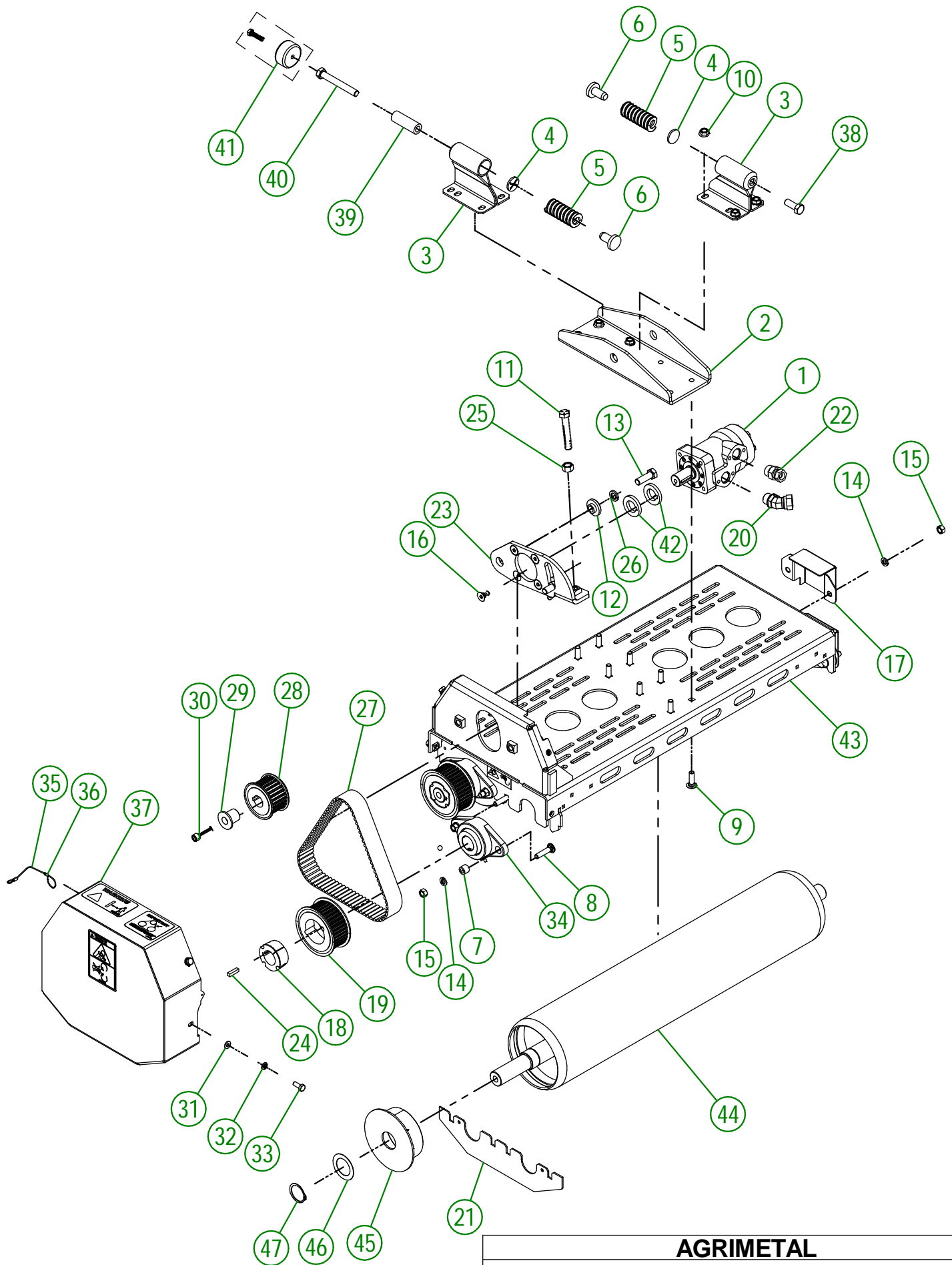
#	PART#	QTY	TITLE
1	NC14-45-0040	1	50cc HYDRAULIC MOTOR
2	39-04-0225	1	ROLLER SUPPORT
3	39-50-0045	2	SPRING GUIDE
4	39-01-1000	2	SPRING GUIDE WASHER
5	NC13-86-0159	2	RED SPRING I 1/4"OD X 5/8"ID X 2" LG
6	39-42-0100	2	SPRING TIP
7	01-09-0000	8	BEARING RACE (UCFL205-16)
8	NC01-04-0111	8	CARR. BOLT GR2 ZINC 3/8-16 X 1 1/2"
9	NC01-04-0110	8	CARR. BOLT GR2 ZINC 3/8-16 X 1 1/4"
10	NC02-14-0019	8	FLANGE NUT HEX. NC 3/8-16 GR. B
11	39-57-0164	1	ROLLER HOUSING FRONT LEFT
12	39-01-1051	1	HYDRAULIC HOSE SUPPORT
13	NC01-25-0566	1	FULL THREAD HEX BOLT GR5 ZINC 1/2-13 X 3"
14	39-13-0060	2	GUIDE WASHER
15	NC01-25-0249	2	HEX. BOLT GR5 ZINC 1/2-13 X 1 1/2" LG
16	NC02-32-0012	8	LOCK WASHER ZINC 3/8"
17	NC02-07-0018	8	HEX. NUT ZINC 3/8-16
18	NC02-48-0031	4	SOCKET HEAD CAP SCREW 3/8-16 X 3/4"
19	39-01-0131	2	BEARING GUARD
20	NC14-60-0015	2	TAPER LOCK 1610 X 1 1/4"
21	NC14-60-0014	2	38-C8M-36 STEEL PULLEY
22	NC13-45-0367	2	45°-7/8-14 MALE O RING X 1/2 FEM.TOUR.NPT PT
23	39-01-0366	1	BELT GUARD PLATE
24	39-50-0165	1	BELT TENSIONER
25	NC01-65-0095	2	SQUARE KEY 1/4" X 1"
26	NC02-07-0020	1	HEX. NUT ZINC 1/2-13
27	NC02-32-0014	2	LOCK WASHER ZINC 1/2"
28	NC14-25-5381	1	SYNCHROCHAIN POLY BELT
29	NC14-60-0013	1	38-C8M-36 STEEL PULLEY
30	39-13-0300	1	PULLEY RETAINER
31	NC02-50-0033	1	SOCKET HEAD SCREW 3/8-16 X 1 1/2"
32	NC02-22-0008	4	WASHER ZINC 5/16"
33	NC02-32-0011	4	LOCK WASHER ZINC 5/16"
34	NC01-17-0058	4	HEX. BOLT GR2 ZINC 5/16-18 X 3/4" LG
35	NC14-75-0114	4	FLANGE PILLOW BLOCK BEARING UCFL206-20 Ø 1 1/4"
36	39-41-0000	1	BELT GUARD CABLE
37	NC01-64-0005	2	OVAL SLEEVE (ALUMINUM)
38	39-57-0062	1	BELT GUARD "STICKER INCL."
39	NC01-17-0248	1	HEX. BOLT GR2 ZINC 1/2-13 X 1 1/4"
40	39-21-0032	1	RAMP STOP SPACER
41	39-30-9957	1	RAMP STOP SPACER
42	39-57-0270	1	RETAINER GROUP
43	39-04-0660	2	PULLEY SPACER
44	39-50-0099	2	ROLLER (I KW)
45	NC17-46-0032	4	ROLLER CAP
46	NC02-19-5008	4	SPACING WASHER 1/32" X 1 1/2" ID X 2 1/4" OD
47	NC01-64-0022	4	QD BUSHING

39-57-1110

#	PART #	Qty	TITLE
1	39-55-0271	1	LEFT BACK ROLLER
2	39-09-1205	1	BUSHING
3	39-42-0700	1	PIVOTING BLOCK
4	NC01-37-0480	1	HEX. BOLT GR8 ZINC 3/4-16 X 5 1/2"
5	NC02-32-0017	1	LOCK WASHER ZINC 3/4"
6	NC02-11-0023	1	NUT 3/4-16



AGRIMETAL	
BACK-LEFT ROLLER	
CREATION : 17/01/24	ASSEMBLY : 39-57-1110
REVISION : 17/01/24	AUTHOR : D. CHASSÉ



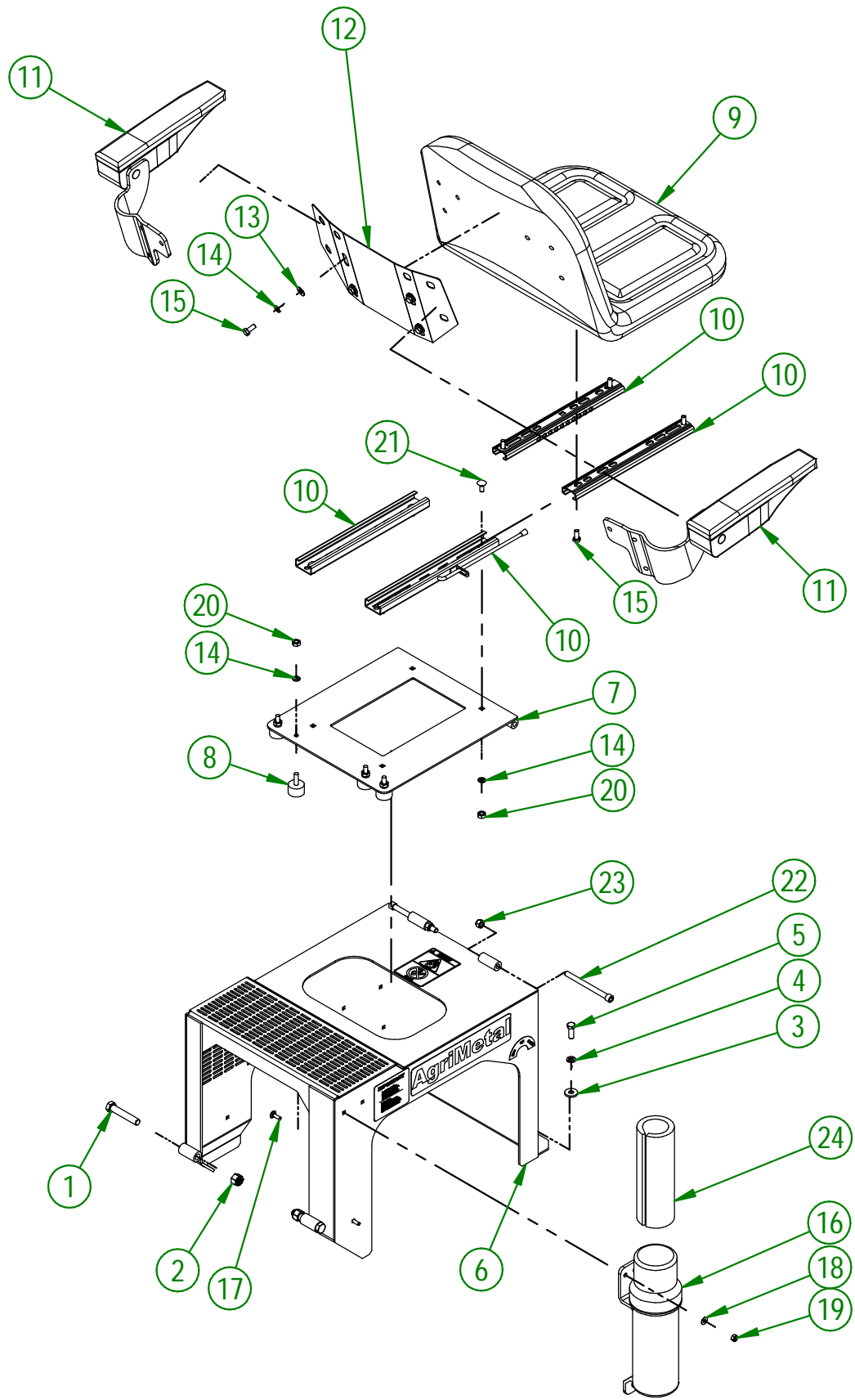
AGRIMETAL
LEFT BACK ROLLER

CREATION : 16/08/23
 REVISION : 31/03/25

ASSEMBLY : **39-55-0271**
 AUTHOR : D. CHASSÉ

39-55-0271

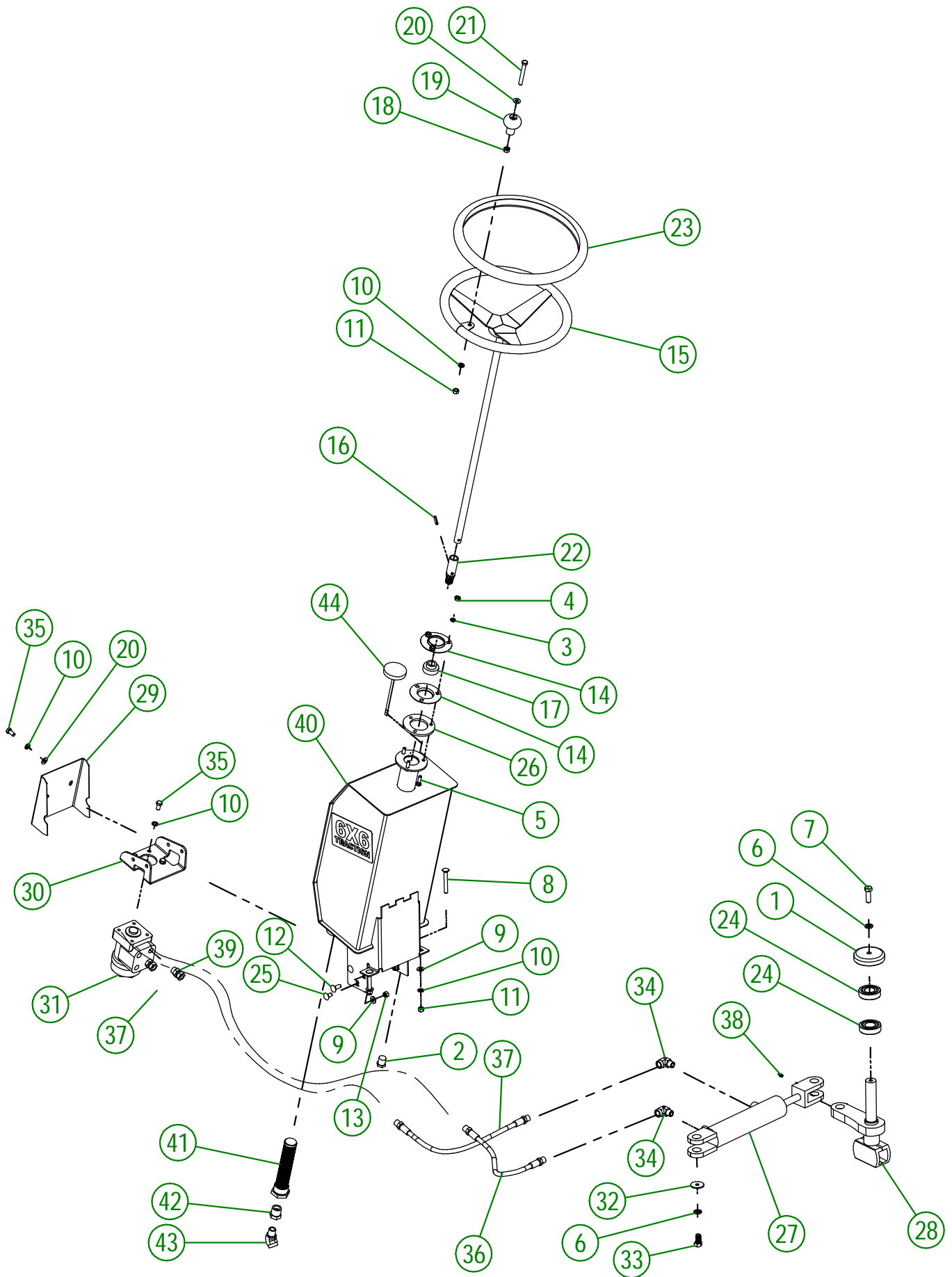
#	PART#	QTY	TITLE
1	NC14-45-0040	1	50cc HYDRAULIC MOTOR
2	39-04-0225	1	ROLLER SUPPORT
3	39-50-0045	2	SPRING GUIDE
4	39-01-1000	2	SPRING GUIDE WASHER
5	NC13-86-0159	2	RED SPRING I 1/4"OD X 5/8"ID X 2" LG
6	39-42-0100	2	SPRING TIP
7	01-09-0000	8	BEARING RACE (UCFL205-16)
8	NC01-04-0111	8	CARR. BOLT GR2 ZINC 3/8-16 X 1 1/2"
9	NC01-04-0110	8	CARR. BOLT GR2 ZINC 3/8-16 X 1 1/4"
10	NC02-14-0019	8	FLANGE NUT HEX. NC 3/8-16 GR. B
11	NC01-25-0566	1	FULL THREAD HEX BOLT GR5 ZINC 1/2-13 X 3"
12	39-13-0060	2	GUIDE WASHER
13	NC01-25-0249	2	HEX. BOLT GR5 ZINC 1/2-13 X 1 1/2" LG
14	NC02-32-0012	8	LOCK WASHER ZINC 3/8"
15	NC02-07-0018	8	HEX. NUT ZINC 3/8-16
16	NC02-48-0031	4	SOCKET HEAD CAP SCREW 3/8-16 X 3/4"
17	39-01-0131	2	BEARING GUARD
18	NC14-60-0015	2	TAPER LOCK 1610 X 1 1/4"
19	NC14-60-0014	2	38-C8M-36 STEEL PULLEY
20	NC13-45-0367	1	45°-7/8-14 MALE O RING X 1/2 FEM.TOUR.NPT PT
21	39-01-0366	1	BELT GUARD PLATE
22	NC13-45-0073	1	STRAIGHT 7/8-14 MALE SAE10 O-RING X 3/8 FEM. TOUR. NPT
23	39-50-0165	1	BELT TENSIONER
24	NC01-65-0095	2	SQUARE KEY 1/4" X 1"
25	NC02-07-0020	1	HEX. NUT ZINC 1/2-13
26	NC02-32-0014	2	LOCK WASHER ZINC 1/2"
27	NC14-25-5381	1	SYNCHROCHAIN POLY BELT
28	NC14-60-0013	1	38-C8M-36 STEEL PULLEY
29	39-13-0300	1	PULLEY RETAINER
30	NC02-50-0033	1	SOCKET HEAD SCREW 3/8-16 X 1 1/2"
31	NC02-22-0008	4	WASHER ZINC 5/16"
32	NC02-32-0011	4	LOCK WASHER ZINC 5/16"
33	NC01-17-0058	4	HEX. BOLT GR2 ZINC 5/16-18 X 3/4" LG
34	NC14-75-0114	4	FLANGE PILLOW BLOCK BEARING UCFL206-20 Ø 1 1/4"
35	39-41-0000	1	BELT GUARD CABLE
36	NC01-64-0005	2	OVAL SLEEVE (ALUMINUM)
37	39-57-0062	1	BELT GUARD "STICKER INCL."
38	NC01-17-0248	1	HEX. BOLT GR2 ZINC 1/2-13 X 1 1/4"
39	39-21-0032	1	RAMP STOP SPACER
40	39-30-9957	1	RAMP STOP SPACER
41	39-57-0270	1	RETAINER GROUP
42	39-04-0660	2	PULLEY SPACER
43	39-57-0153	1	BACK LEFT ROLLER HOUSING
44	39-50-0099	2	ROLLER (1 KW)
45	NC17-46-0032	4	ROLLER CAP
46	NC02-18-0095	4	SPACING WASHER 1/32" X 1 1/2" ID X 2 1/4" OD
47	NC01-64-0022	4	QD BUSHING



AGRIMETAL	
ENGINE COVER GROUP	
CREATION : 12/03/24	ASSEMBLY : 39-57-0380
REVISION : 12/03/24	AUTHOR : D. CHASSÉ

39-57-0380

#	PART #	Qty	TITLE
1	NC01-17-0254	2	HEX. BOLT GR2 ZINC 1/2-13 X 2 1/2"
2	NC01-96-0014	2	NYLON-INSERT LOCKNUT ZINC 1/2-13
3	21-01-0950	2	FLAT WASHER 10GA 1.005" DIA X 25/64"
4	NC02-32-0012	2	LOCK WASHER ZINC 3/8"
5	NC01-17-0114	2	HEX. BOLT GR2 ZINC 3/8-16 X 1"
6	39-57-0012	1	ENGINE COVER
7	39-50-0115	1	SEAT FOLDER HOLDER
8	NC13-15-0034	4	RUBBER ABSORBER
9	NC13-80-0200	1	SEAT
10	NC13-80-0201	1	SET OF SEAT RAIL
11	NC13-80-0295	1	ARMRESTS
12	39-01-0400	1	BACK REST SEAT REINFORCEMENT
13	01-01-2485	4	FLAT WASHER 14 GA X 13/16"OD X 25/64" ID
14	NC02-32-0011	12	LOCK WASHER ZINC 5/16"
15	NC01-17-0058	8	HEX. BOLT GR2 ZINC 5/16-18 X 3/4" LG
16	NC13-30-0237	1	PLASTIC TUBE FOR OPERATOR'S MANUAL
17	NC01-04-0003	3	CARR. BOLT GR2 ZINC 1/4-20 X 3/4"
18	NC02-25-0007	3	WASHER ZINC 0.281 = 9/32
19	NC01-96-0009	3	NYLON-INSERT LOCKNUT ZINC 1/4-20
20	NC02-07-0017	8	HEX. NUT 5/16-18
21	NC01-04-0056	4	CARR. BOLT 5/16-18 X3/4"
22	NC02-50-0112	2	HEX. BOLT GR2 ZINC 3/8-16 X 4 1/2"
23	NC01-96-0011	2	NYLON NUT 3/8-16
24	39-98-0631	1	OPERATOR'S MANUAL



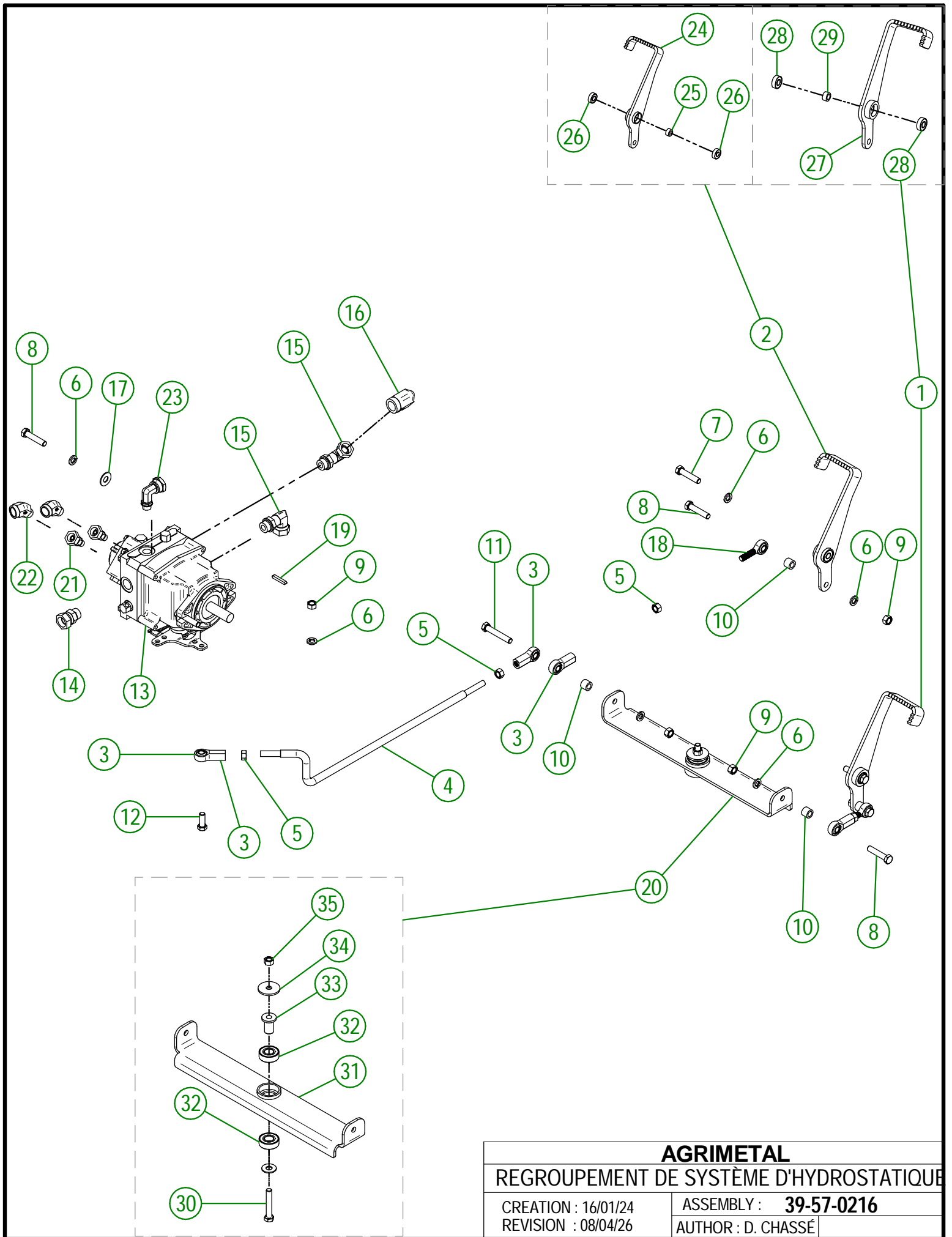
AGRIMETAL
STEERING SYSTEM GROUP

CREATION : 16/01/24
 REVISION : 19/03/25

ASSEMBLY : **39-57-0048**
 AUTHOR : D. Bevins

39-57-0048

#	PART #	Qty	TITLE
1	39-21-0000	1	STEERING PLATE SHAFT COVER
2	NC13-45-0015	1	HEX. CAP 1/2 NPTF MALE
3	NC02-32-0011	3	LOCK WASHER ZINC 5/16"
4	NC02-07-0017	3	HEX. NUT 5/16-18
5	NC01-17-0060	3	HEX. BOLT GR2 ZINC 5/16-18 X 1"
6	NC02-32-0014	2	LOCK WASHER ZINC 1/2"
7	NC01-17-0249	1	HEX. BOLT GR2 ZINC 1/2-13 X 1 1/2"
8	NC01-04-0116	2	CARR. BOLT GR2 ZINC 3/8-16 X 2 3/4"
9	01-01-2485	8	FLAT WASHER 14 GA X 13/16"OD X 25/64" ID
10	NC02-32-0012	9	LOCK WASHER ZINC 3/8"
11	NC02-07-0018	3	HEX. NUT ZINC 3/8-16
12	NC01-04-0109	4	CARR. BOLT GR2 ZINC 3/8-16 X 1"
13	NC01-93-0011	6	LOCK NUT 3/8-16
14	NC14-75-0008	2	STEEL BEARING ONLY 3 HOLES F4 3 9/16" OD
15	39-50-0081	1	STEERING WHEEL
16	NC01-69-0459	1	ZINC SPRING PIN TENDER DIA. 1/4" X 1 1/4"
17	NC14-75-0014	1	STEEL BEARING SB 204-12 X 3/4" ID
18	NC01-96-0011	1	NYLON NUT 3/8-16
19	NC17-46-0018	1	HANDLE KNOB
20	NC17-57-0016	3	FLAT WASHER 14 GA X 13/16"OD X 25/64" ID
21	NC01-17-0122	1	HEX. BOLT GR2 ZINC 3/8-16 X 3"
22	39-20-0005	1	STEERING SHAFT ADAPTER
23	NC13-80-0254	1	STEERING WHEEL COVER
24	NC14-75-0091	2	6206 ZZ BEARING
25	NC01-04-0107	2	CARR. BOLT GR2 ZINC 3/8-16 X 3/4"
26	39-04-0275	1	STEERING SHAFT BEARING SUPPORT
27	NC13-45-0370	1	HYDRAULIC CYLINDER 6"
28	39-50-0071	1	STEERING PLATE
29	39-01-0080	1	STEERING SHAFT GUARD
30	39-04-0195	1	HYDRAULIQUE CONTROL SUPPORT
31	NC14-45-0151	1	HYDRAULIC STEERING ASSIST
32	NC02-26-0504	1	WASHER
33	NC01-17-0247	1	HEX. BOLT GR2 ZINC 1/2-13 X 1"
34	NC13-45-0038	2	ELBOW 90 3/8 FEM. NPT X 3/8 MALE NPT
35	NC01-17-0112	6	HEX. BOLT GR2 ZINC 3/8-16 X 3/4"
36	NC17-02-0437	1	HYD. HOSE 3/8 X 18"OAL 3/8 NPTMALE RIG.X 3/8NPTMALE RIG
37	NC17-02-0437	1	HYD. HOSE 3/8 X 18"OAL 3/8 NPTMALE RIG.X 3/8NPTMALE RIG
38	NC01-69-0785	1	STRAIGHT GREASE FITTING 1/4-28
39	NC13-45-0036	4	STRAIGHT REDUCER 3/4-16 MALE SAE8 O RING X 3/8 FEMALE SWIVEL
40	39-57-0008	1	OIL TANK
41	NC13-45-0381	1	TANK STRAINER
42	NC13-45-0032	1	STRAIGHT HOSE FITTING 1/2 FEM. NPT X 3/4 MALE NPT
43	NC13-45-0086	1	ELBOW 45 1/2 FEM. NPT X 1/2 MALE NPT
44	NC13-80-0311	1	CAP WITH DIPSTICK



AGRIMETAL	
REGROUPEMENT DE SYSTÈME D'HYDROSTATIQUE	
CREATION : 16/01/24	ASSEMBLY : 39-57-0216
REVISION : 08/04/26	AUTHOR : D. CHASSÉ

39-57-0216

#	# DE PIÈCE	QTÉ	TITRE
1	39-55-0026	1	PEDALE (DROIT)
2	39-55-0021	1	PEDALE (GAUCHE)
3	NC01-67-0104	4	EMBOUT DE BIELLETTE FEMELLE FILET 3/8-24
4	39-13-0401	1	TIGE DE COMMANDE D'HYDRAUSTATIQUE
5	NC02-10-0018	4	ÉCROUS HEX. NF ZINC 3/8-24
6	NC02-32-0012	9	RONDELLE RESSORT ZINC 3/8"
7	NC01-33-0117	2	BOULON HEX. GR8 NC ZINC 3/8-16 X 1 3/4"
8	NC01-25-0117	5	BOULON HEX. GR5 NC ZINC 3/8-16 X 1 3/4"
9	NC02-07-0018	5	ÉCROU HEX. NC ZINC 3/8-16
10	39-09-0050	4	BAGUE DE SYSTEME DE PEDALE
11	NC01-25-0119	1	BOULON HEX. GR5 NC ZINC 3/8-16 X 2 1/4"
12	NC01-25-0114	1	BOULON HEX. GR5 NC ZINC 3/8-16 X 1"
13	39-55-0036	1	MOTEUR HYDROSTATIQUE HYDRO-GEAR PRÉ-ASS.
14	NC13-45-0106	1	UNION DROIT 3/4-16 MALE SAE8 ORING X 1/4 FEM. TOUR. NPT
15	NC13-45-0203	2	COUDE 90 3/4-16 MALE SAE8 ORING X 1/2 FEM. TOUR.NPT
16	NC13-45-0025	1	COUDE 90 1/2 FEMELLE NPT X 1/2 MALE NPT
17	NC02-22-0010	2	RONDELLE ACIER OR. ZINC 3/8" BOLT
18	NC01-67-0304	2	EMBOUT DE BIELLETTE MALE FILET 3/8-24
19	NC01-65-0312	1	CLÉ CARRÉE 3/16" X 1 1/4" LG
20	39-57-0220	1	ASSEMBLAGE DE BRAS DE JONCTION DE PÉDALE
21	NC13-45-0401	2	UNION DROIT 7/16-20 MALE SAE4 ORING X 3/8-18 FEM. TOUR. NPT
22	NC13-45-0085	2	COUDE 45° 3/8" FEMELLE NPT X 1/8" MÂLE NPT
23	NC13-45-0416	1	COUDE 90 9/16-18 MÂLE SAE6 ORING X 1/2-14 FEM. TOUR.NPSM

39-55-0021

#	# DE PIÈCE	QTÉ	TITRE
24	39-50-0111	1	PÉDALE (GAUCHE)
25	01-09-0005	1	BAGUE
26	NC14-75-0153	2	ROULEMENT À BILLE R6 2RS 3/8" X 7/8" X 0.281"

39-55-0026

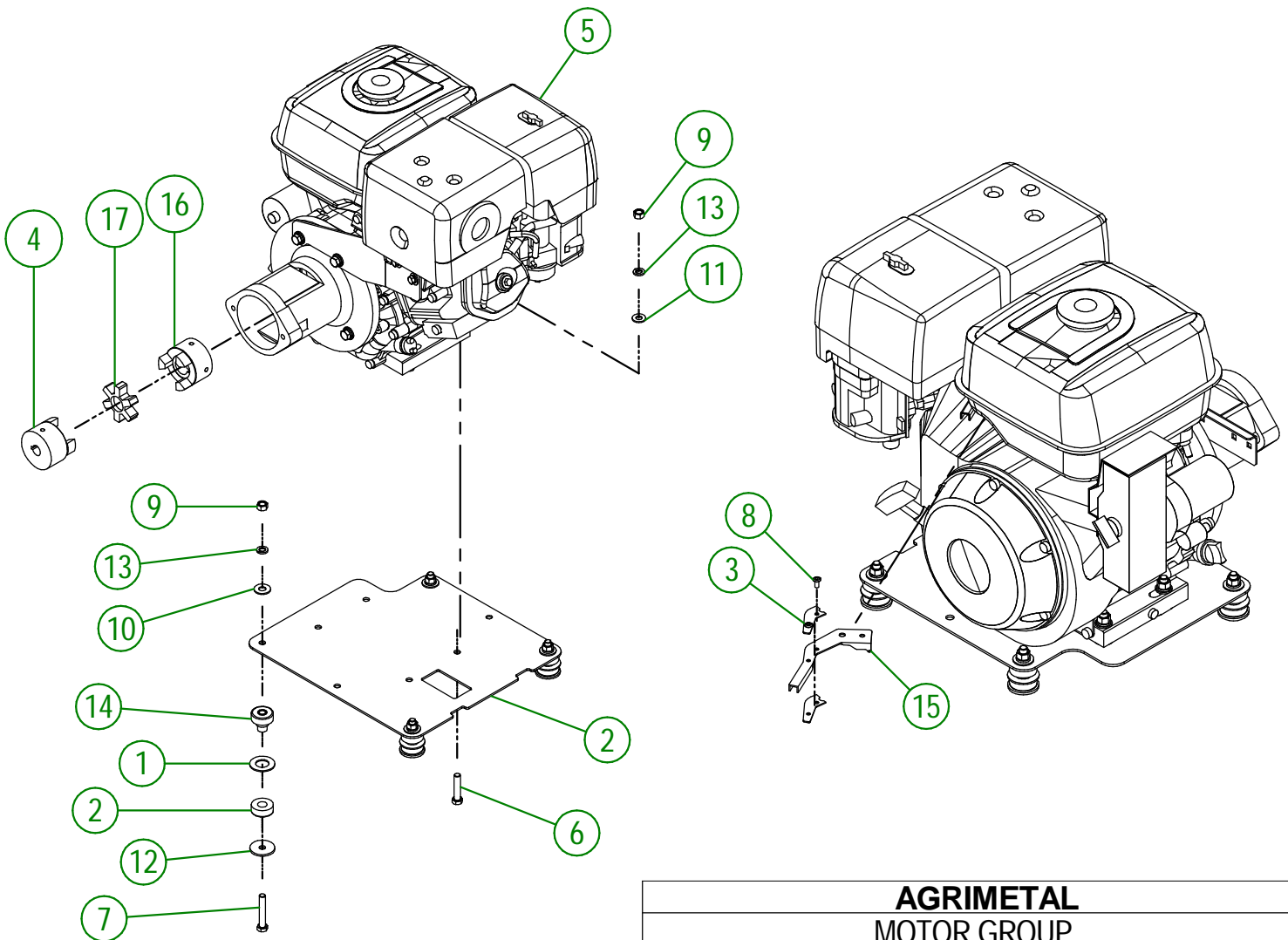
#	# DE PIÈCE	QTÉ	TITRE
27	39-50-0106	1	PÉDALE (DROITE)
28	NC14-75-0153	2	ROULEMENT À BILLE R6 2RS 3/8" X 7/8" X 0.281"
29	01-09-0005	1	BAGUE

39-57-0220

#	# DE PIÈCE	QTÉ	TITRE
30	NC01-37-0119	1	BOULON HEX. GR8 NC ZINC 3/8-24 X 2 1/4"
31	39-50-0042	1	BRAS DE JONCTION DE PÉDALES
32	NC14-75-0068	2	ROULEMENT A BILLE 99502H
33	39-13-0200	1	PIVOT DE BRAS JONCTION
34	NC02-26-0504	1	RONDELLE ACIER ZINC 13/32"ID X 1 1/2"OD
35	NC01-94-0011	1	ÉCROUS HEX.BLOC.ACIER NF ZINC 3/8-24
36	NC02-22-0010	1	RONDELLE ACIER OR. ZINC 3/8" BOLT

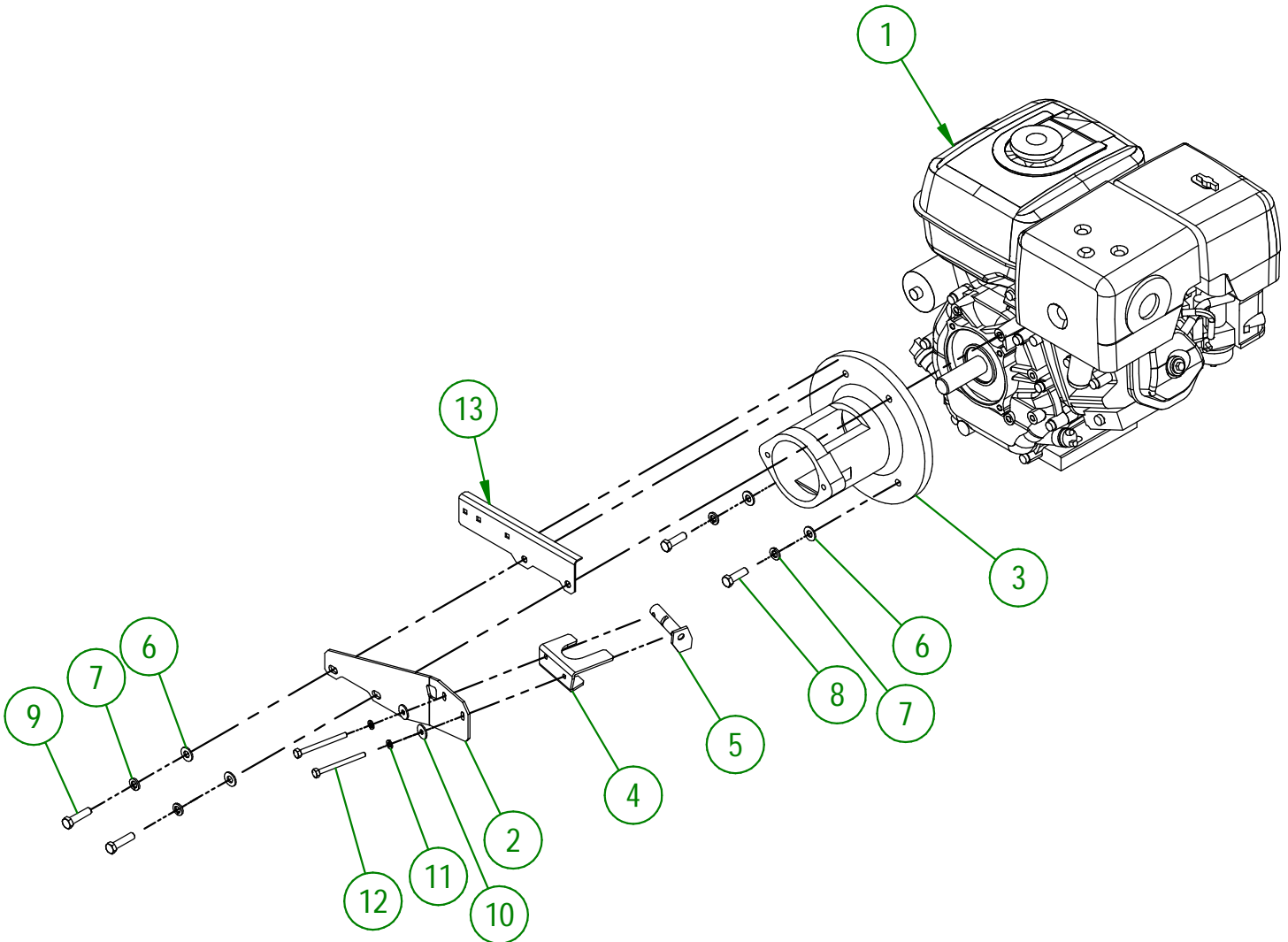
39-57-0119

#	PART #	Qty	TITLE
1	26-03-4800	4	WASHER
2	39-01-0360	1	MOTOR BASE
3	39-03-0015	2	CARBURETOR LEVER REINFORCEMENT
4	39-46-3500	1	HYDROSTATIC COUPLING HUB
5	39-55-0032	1	13 HP 18 AMP HONDA MOTOR WITH STARTER
6	NC01-25-0117	4	HEX. BOLT GR5 ZINC 3/8-16 X 1 3/4" LG
7	NC01-25-0119	4	HEX. BOLT GR5 NC ZINC 3/8-16 X 2"
8	NC01-78-0015	2	RIVET 3/16"
9	NC02-07-0018	8	HEX. NUT ZINC 3/8-16
10	NC02-22-0010	4	WASHER 13/32" ID
11	NC02-25-0009	4	FLAT WASHER 14 GA X 13/16"OD X 25/64" ID
12	NC02-26-0504	4	WASHER
13	NC02-32-0012	8	LOCK WASHER ZINC 3/8"
14	NC13-15-0059	4	YELLOW RUBBER BASE MOUNT
15	NC13-37-0693	1	THROTTLE LEVER
16	NC14-05-0029	1	COUPLING (LOVEJOY) CXL100 X 1" ID
17	NC14-05-0030	1	COUPLING (LOVEJOY) RUBBER N100



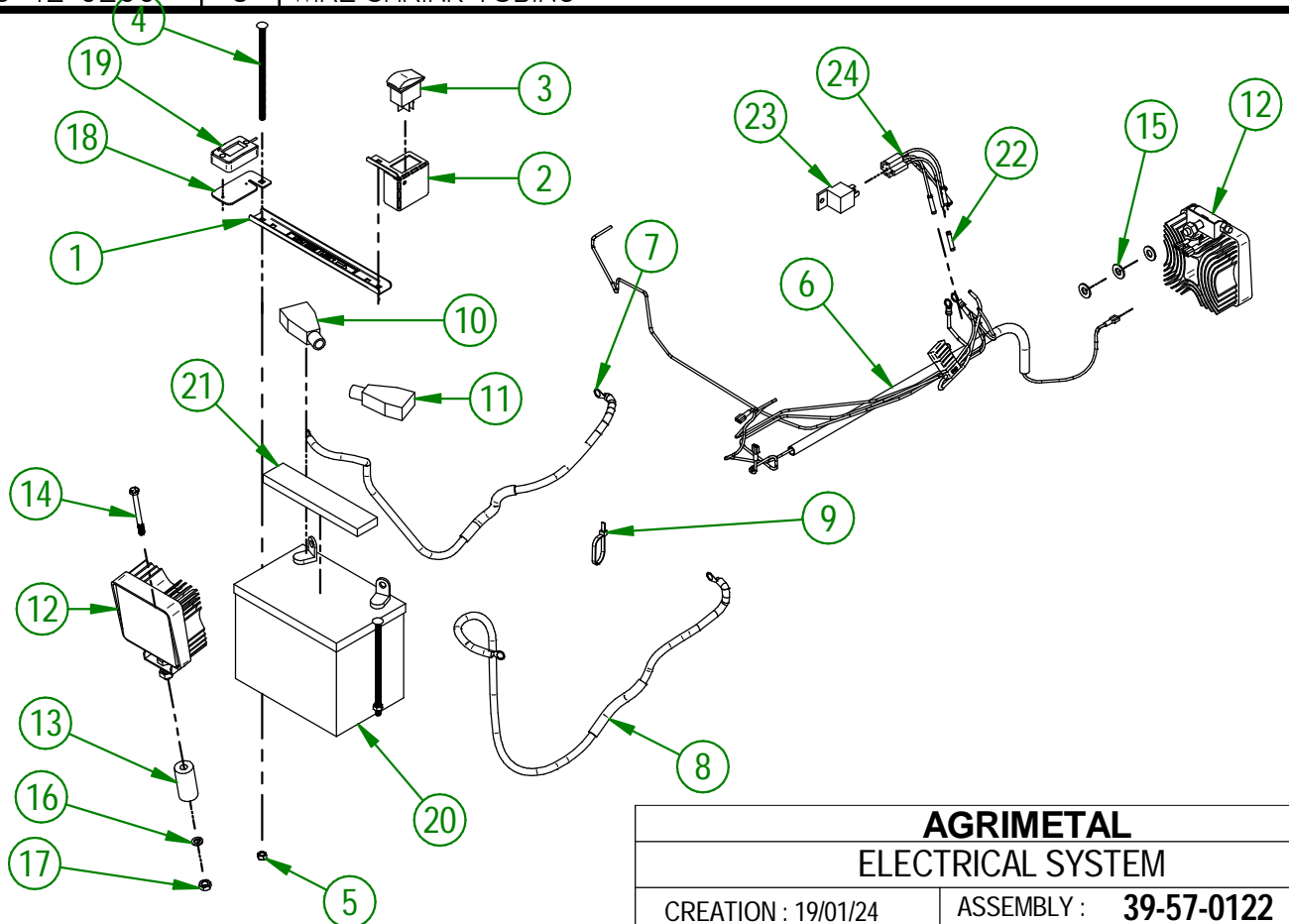
AGRIMETAL	
MOTOR GROUP	
CREATION : 22/01/24	ASSEMBLY : 39-57-0119
REVISION : 08/12/25	AUTHOR : dessin3

#	PART #	Qty	TITLE
1	NC14-40-0008	1	13 HP HONDA MOTOR GX390 WITH STARTER
2	39-01-1090	1	MUFFLER SUPPORT
3	39-50-0120	1	FUEL ENGINE ADAPTER FOR HYDROSTATIC PUMP
4	39-01-1080	1	MUFFLER SUPPORT
5	39-50-0085	1	MUFFLER SUPPORT
6	01-01-2485	4	FLAT WASHER 14 GA X 13/16"OD X 25/64" ID
7	NC02-32-0012	4	LOCK WASHER ZINC 3/8"
8	NC01-17-0115	2	HEX. BOLT GR2 ZINC 3/8-16 X 1 1/4"
9	NC01-17-0116	2	HEX. BOLT GR2 ZINC 3/8-16 X 1 1/2"
10	36-01-2430	2	FLAT WASHER 14GA X 17/64" I.D. X 13/16" O.D.
11	NC02-32-0010	2	LOCK WASHER ZINC 1/4"
12	NC01-37-0014	2	HEX. BOLT GR8 ZINC 1/4-28 X 3"
13	39-01-2405	1	VOLTAGE REGULATOR HOLDER



AGRIMETAL	
13 HP 18 AMP HONDA MOTOR WITH STARTER	
CREATION : 22/01/24	ASSEMBLY : 39-55-0032
REVISION : 21/02/24	AUTHOR : dessin3

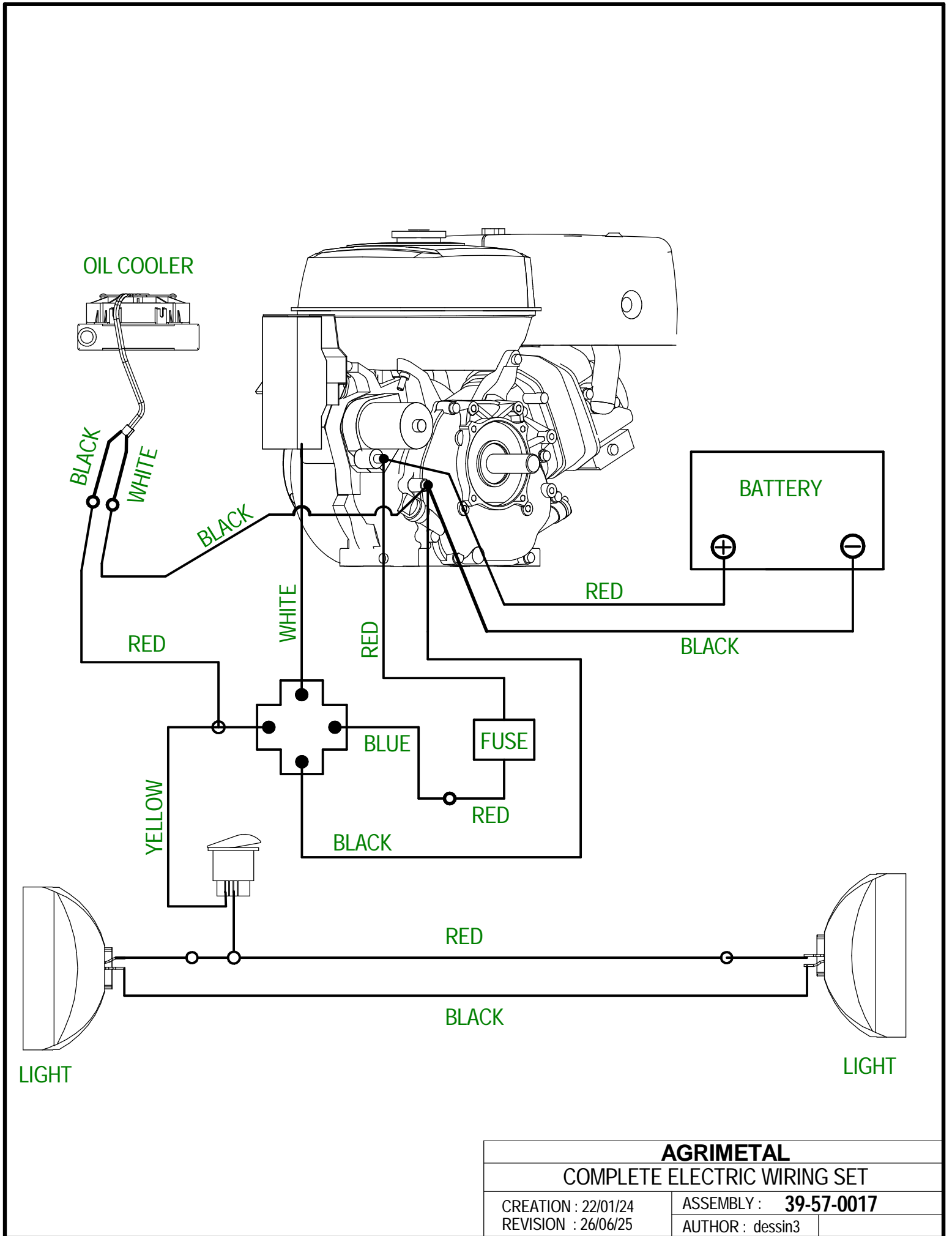
#	PART #	Qty	TITLE
1	39-57-0195	1	BATTERY STRAPE
2	39-01-3050	1	LIGHT SWITCH HOLDER
3	NC13-25-0368	1	LIGHT SWITCH
4	NC01-07-0027	2	CARR. BOLT 1/4-20 X 6" LG
5	NC01-96-0009	2	NYLON-INSERT LOCKNUT ZINC 1/4-20
6	39-57-0017	1	COMPLETE ELECTRIC WIRE SET
7	39-55-0105	1	NEGATIVE BATTERY CABLE
8	39-55-0100	1	POSITIVE BATTERY CABLE
9	NC13-25-0019	1	NYLON CABLE TIE
10	NC13-80-0268	1	BLACK PROTECTOR FOR BATTERY POST
11	NC13-80-0267	1	RED PROTECTOR FOR BATTERY POST
12	39-55-0121	2	LED LIGHT
13	39-21-0065	1	RIGHT LIGHT HOLDER
14	NC01-25-0068	1	HEX. BOLT GR5 NC ZINC 5/16-18 X 3"
15	NC02-25-0009	3	FLAT WASHER 14 GA X 13/16"OD X 25/64" ID
16	NC02-32-0011	1	LOCK WASHER ZINC 5/16"
17	NC02-07-0017	1	HEX. NUT 5/16-18
18	33-01-4000	1	HOUR METER HOLDER
19	NC13-37-0669	1	HOUR METER
20	NC13-12-0001	1	12 VOLTS BATTERY
21	33-42-0130	1	BLACK ADHESIVE-BACK STRIP
22	NC13-25-0228	5	VINYL UNION TERMINAL 16-14
23	NC13-25-0406	1	12V 40A 5 PINS RELAY
24	39-55-0430	1	RELAY PLUG
25	39-42-0200	5	WIRE SHRINK TUBING



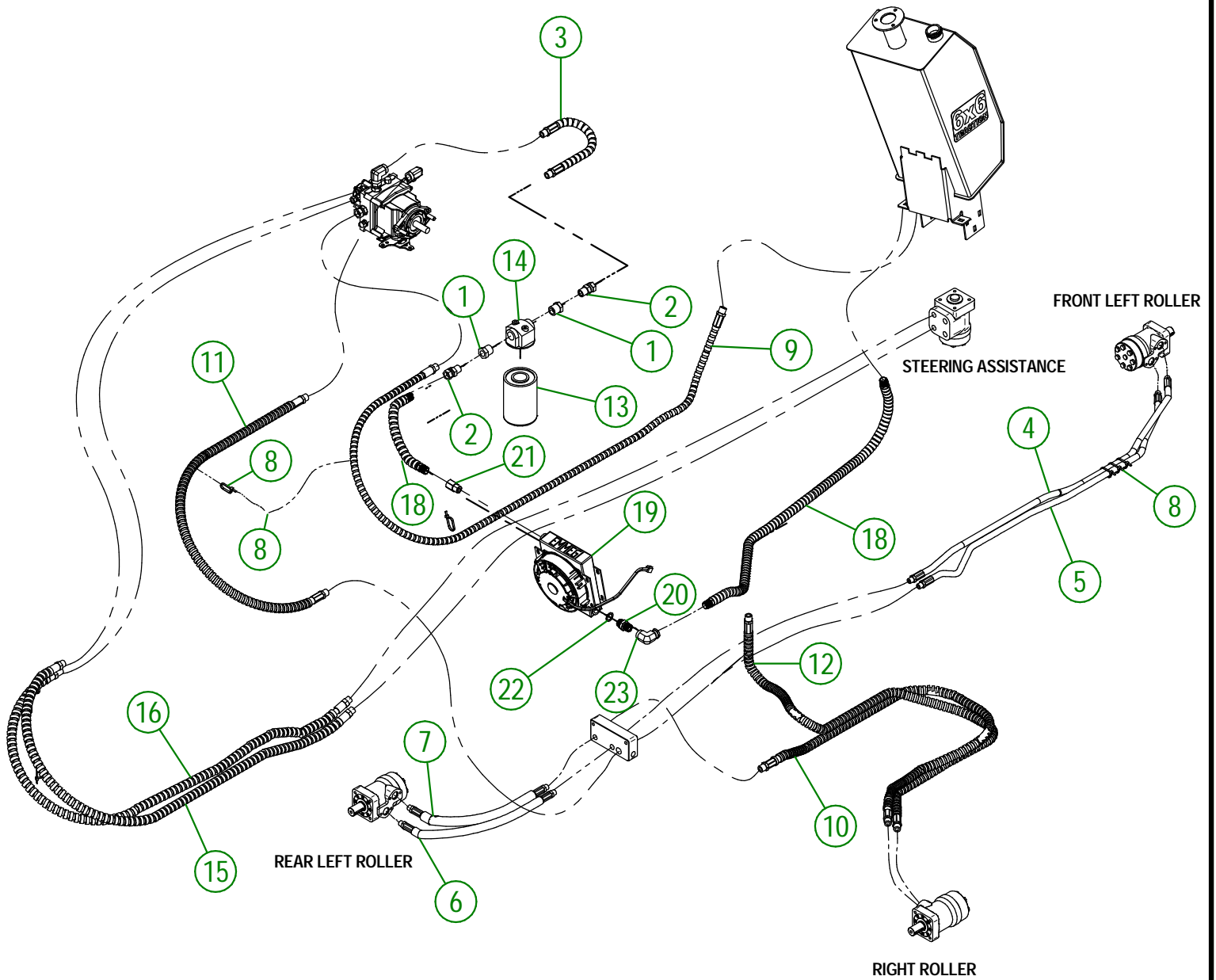
AGRIMETAL
ELECTRICAL SYSTEM

CREATION : 19/01/24
REVISION : 03/09/25

ASSEMBLY : **39-57-0122**
AUTHOR : D. Bevins



AGRIMETAL	
COMPLETE ELECTRIC WIRING SET	
CREATION : 22/01/24	ASSEMBLY : 39-57-0017
REVISION : 26/06/25	AUTHOR : dessin3



USE THESE PIECES ONLY IF YOUR SERIAL NUMBER IS AFFECTED:

#47709 AND UNDER

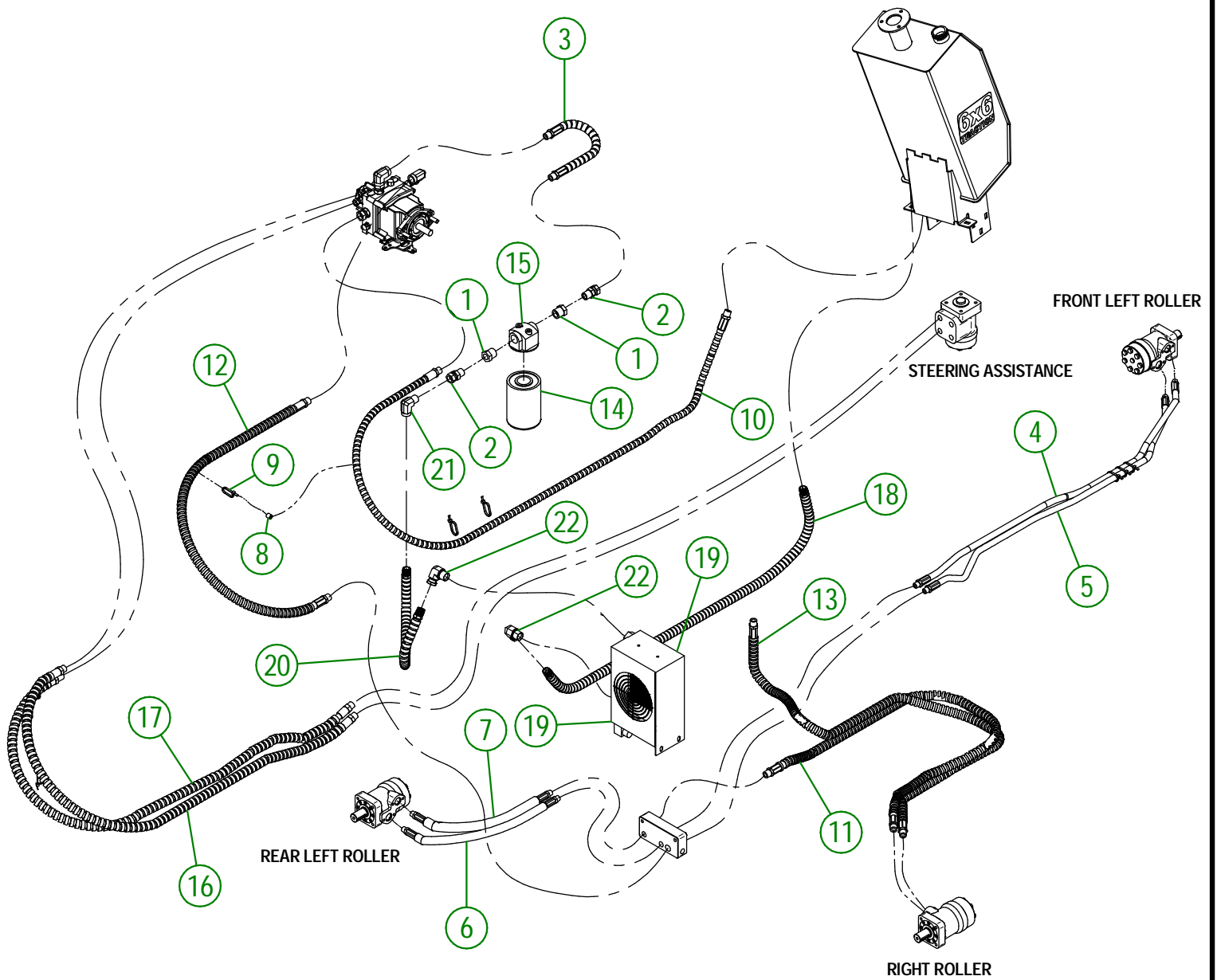
AGRIMETAL
HYDRAULIC SYSTEM

CREATION : 16/01/24
REVISION : 01/10/25

ASSEMBLY : **39-57-0206**
AUTHOR : D. Bevins

39-57-0206

#	PART #	Qty	TITLE
1	NC13-45-0032	2	STRAIGHT HOSE FITTING 1/2 FEM. NPT X 3/4 MALE NPT
2	NC13-45-0091	2	STRAIGHT HOSE FITTING 1/2 MALE NPTF X 1/2 FEM. SWIVEL
3	NC17-02-0313	1	HYDRAULIC HOSE 19"
4	NC17-02-0312	1	HYDRAULIC HOSE 48 1/2"
5	NC17-02-0312	1	HYDRAULIC HOSE 48 1/2"
6	NC17-02-0435	1	HYDRAULIC HOSE 16 1/2"
7	NC17-02-0435	1	HYDRAULIC HOSE 16 1/2"
8	NC13-25-0019	9	NYLON CABLE TIE
9	39-55-0365	1	HYDRAULIC HOSE 75"
10	NC17-02-0315	1	HYDRAULIC HOSE 60"
11	NC17-02-0314	1	HYDRAULIC HOSE 44"
12	NC17-02-0316	1	HYDRAULIC HOSE 66"
13	NC13-45-0048	1	OIL FILTER
14	NC13-45-0049	1	HEAD FILTER
15	NC17-02-0434	1	HYD. HOSE 3/8 X 74"OAL 3/8 NPT MALE RIG. X 3/8 NPT MALE RIG
16	NC17-02-0434	1	HYD. HOSE 3/8 X 74"OAL 3/8 NPT MALE RIG.X 3/8 NPT MALE RIG
17	39-55-0370	1	HYDRAULIC HOSE 14"
18	39-55-0375	1	HYDRAULIC HOSE 46"
19	NC13-45-0399	1	12V OIL COOLER FAN
20	NC13-45-0396	1	1/2" M. BSPP X 1/2" M. NPT STRAIGHT ADAPTOR
21	NC13-45-0398	1	1/2" M. BSPP X 1/2" F. NPT STRAIGHT UNION
22	NC13-45-0397	1	1/2" SEAL
23	NC13-45-0395	1	90° ELBOW NPTF



USE THESE PIECES ONLY IF YOUR SERIAL NUMBER IS AFFECTED:

#47710 AND ABOVE

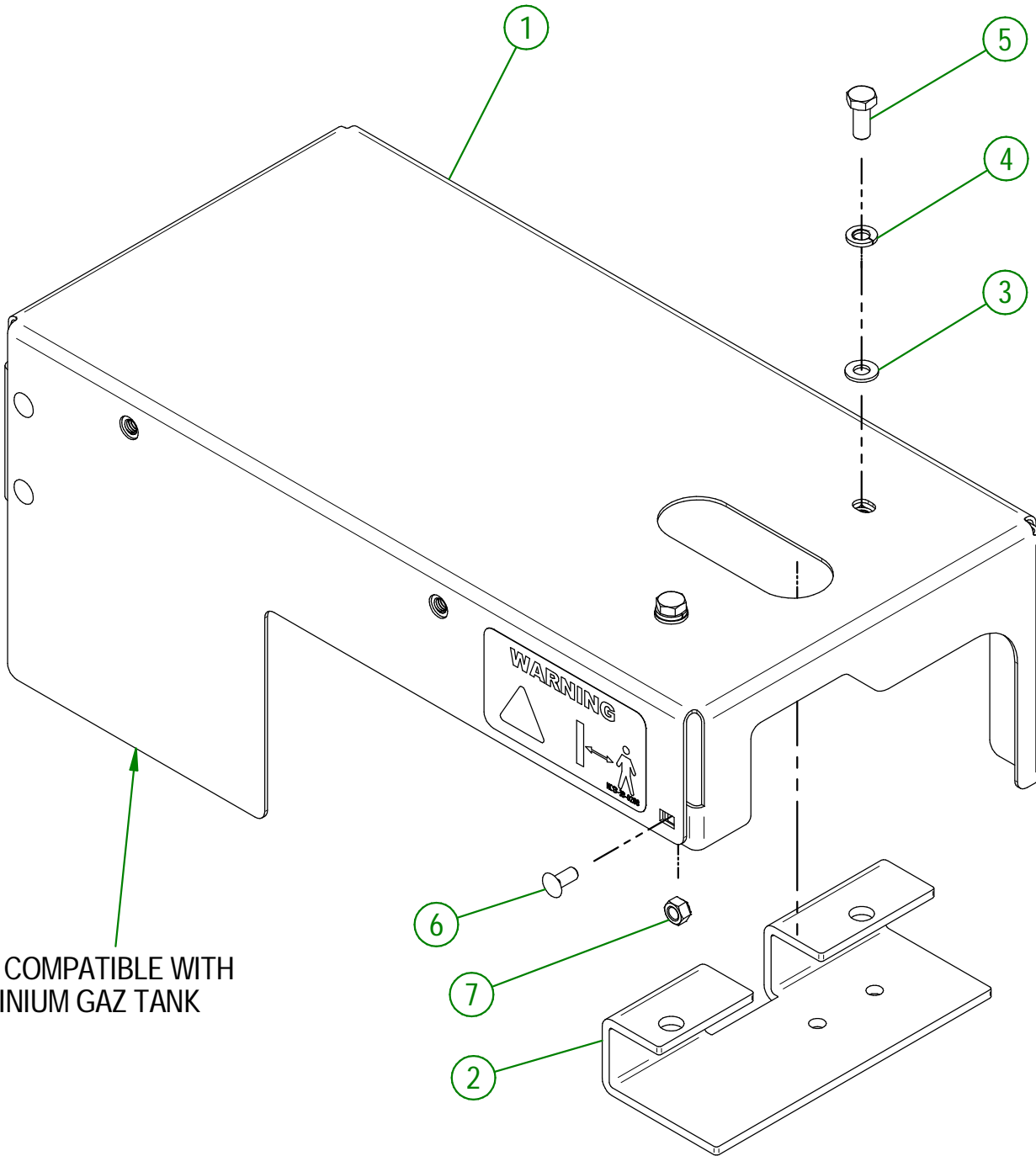
AGRIMETAL	
HYDRAULIC SYSTEM	
CREATION : 01/10/25	ASSEMBLY : 39-57-0207
REVISION : 01/10/25	AUTHOR : D. Bevins

39-57-0207

#	PART #	QTY	TITLE
1	NC13-45-0032	2	STRAIGHT HOSE FITTING 1/2 FEM. NPT X 3/4 MALE NPT
2	NC13-45-0091	2	STRAIGHT HOSE FITTING 1/2 MALE NPTF X 1/2 FEM. SWIVEL
3	NC17-02-0313	1	HYDRAULIC HOSE 19"
4	NC17-02-0312	1	HYDRAULIC HOSE 48 1/2"
5	NC17-02-0312	1	HYDRAULIC HOSE 48 1/2"
6	NC17-02-0437	1	HYDRAULIC HOSE 18"
7	NC17-02-0437	1	HYDRAULIC HOSE 18"
8	NC13-40-0025	1	BLACK GASOLINE HOSE
9	NC13-25-0019	9	NYLON CABLE TIE
10	39-55-0365	1	HYDRAULIC HOSE 75"
11	NC17-02-0315	1	HYDRAULIC HOSE 60"
12	NC17-02-0314	1	HYDRAULIC HOSE 44"
13	NC17-02-0316	1	HYDRAULIC HOSE 66"
14	NC13-45-0048	1	OIL FILTER
15	NC13-45-0049	1	HEAD FILTER
16	NC17-02-0434	1	HYD. HOSE 3/8 X 74"OAL 3/8 NPT MALE RIG. X 3/8 NPT MALE RIG
17	NC17-02-0434	1	HYD. HOSE 3/8 X 74"OAL 3/8 NPT MALE RIG.X 3/8 NPT MALE RIG
18	39-55-0375	1	HYDRAULIC HOSE 46"
19	39-55-0176	1	OIL COOLER AH0608T
20	39-55-0380	1	HYDRAULIC HOSE 14"
21	NC13-45-0025	1	ELBOW 90° 1/2 FEMALE NPT X 1/2 MALE NPT
22	NC13-45-0402	2	90° ELBOW 3/4 NPT MALE X 1/2 NPT SWIVEL FEMALE

39-57-5015

#	PART #	Qty	TITLE
1	39-57-5010	1	HYDROSTATIC PUMP GUARD
2	39-50-5005	1	HYDROSTATIC PUMP GUARD SUPPORT
3	NC02-22-0008	2	WASHER ZINC 5/16"
4	NC02-32-0011	2	LOCK WASHER ZINC 5/16"
5	NC01-17-0058	2	HEX. BOLT GR2 ZINC 5/16-18 X 3/4" LG
6	NC01-04-0001	5	CARR. BOLT GR2 ZINC 1/4-20 X 1/2"
7	NC01-96-0009	5	NYLON-INSERT LOCKNUT ZINC 1/4-20



ONLY COMPATIBLE WITH
ALUMINIUM GAZ TANK

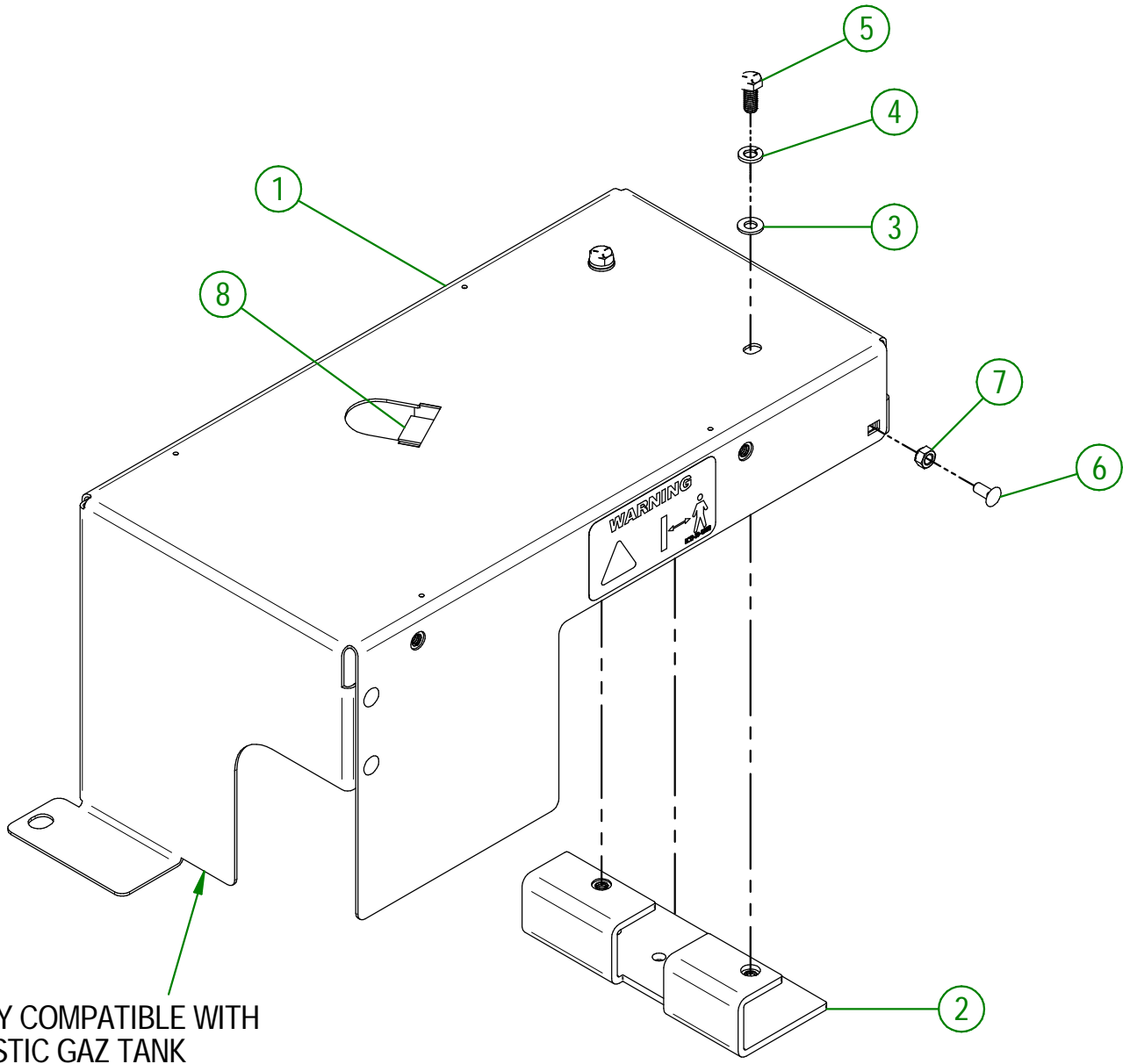
USE THESE PIECES ONLY IF YOUR SERIAL
NUMBER IS AFFECTED:

BETWEEN #44189 AND 46008

AGRIMETAL	
HYDROSTATIC PUMP GUARD	
CREATION : 08/09/22	ASSEMBLY : 39-57-5015
REVISION : 10/07/24	AUTHOR : D. CHASSÉ

39-57-5016

#	PART #	Qty	TITLE
1	39-57-5011	1	HYDROLISTATIC PUMP GUARD
2	39-50-5005	1	HYDROSTATIC PUMP GUARD SUPPORT
3	NC02-22-0008	2	WASHER ZINC 5/16"
4	NC02-32-0011	2	LOCK WASHER ZINC 5/16"
5	NC01-25-0058	2	HEX BOLT GR5 ZINC PLATED 5/16-18 X 3/4"
6	NC01-04-0001	5	CARR. BOLT GR2 ZINC 1/4-20 X 1/2"
7	NC01-96-0009	5	NYLON-INSERT LOCKNUT ZINC 1/4-20
8	39-42-0130	1	RUBBER FOAM SEAL TAPE BLACK 3/8" X 3/4" X 1" LG



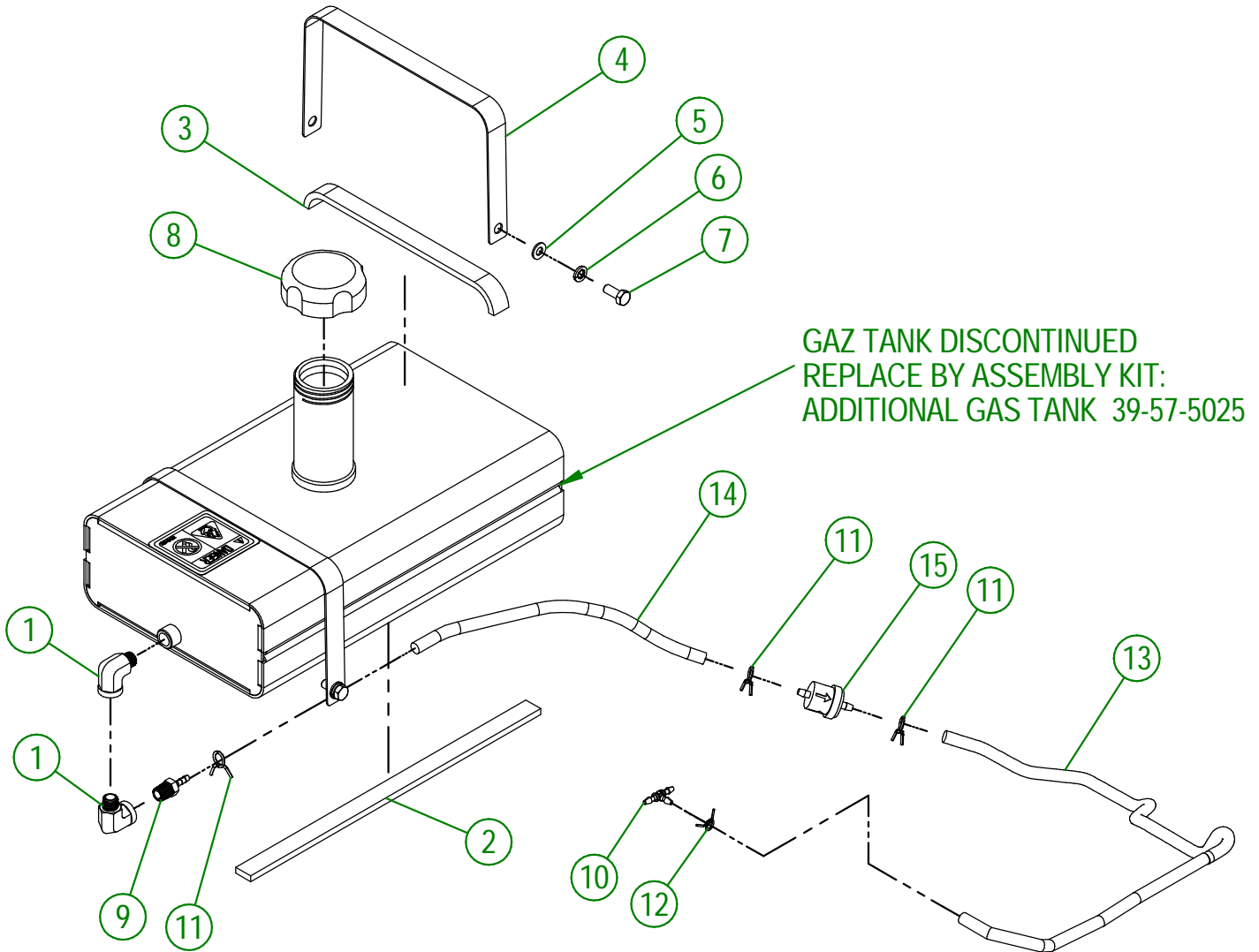
ONLY COMPATIBLE WITH
PLASTIC GAZ TANK

USE THESE PIECES ONLY IF YOUR SERIAL
NUMBER IS AFFECTED:

#46009 AND MORE

AGRIMETAL	
HYDROLISTATIC PUMP GUARD	
CREATION : 28/05/24	ASSEMBLY : 39-57-5016
REVISION : 10/07/24	AUTHOR : M. HOULE

#	PART #	Qty	TITLE
1	NC13-45-0142	2	90° 1/4 FEMELLE NPT X 1/4 MALE NPT
2	39-42-0090	2	RUBBER FOAM SEAL TAPE BLACK 1/4" X 3/4" X 14 1/2" LG
3	39-42-0095	2	RUBBER FOAM SEAL TAPE BLACK 1/4" X 3/4" X 9 7/8" LG
4	39-01-6600	2	GAS TANK STRIP SUPPORT
5	NC02-22-0008	4	WASHER ZINC 5/16"
6	NC02-32-0011	4	LOCK WASHER ZINC 5/16"
7	NC01-17-0058	4	HEX. BOLT GR2 ZINC 5/16-18 X 3/4" LG
8	NC13-37-0673	1	GAS CAP
9	NC13-68-0022	1	BRASS BARBED FITTING 3/16" X 1/4" NPT
10	NC13-68-0032	1	PLASTIC BARBED TEE FITTING TEE CONNECTOR 3/16" (GASOLINE)
11	NC01-65-0305	3	CONSTANT-TENSION SPRING CLAMPS 7/16"
12	NC01-65-0304	1	CONSTANT-TENSION SPRING CLAMPS 5/16"
13	39-46-0160	1	1/4" GAS LINE
14	39-46-0165	1	1/4" GAS LINE
15	NC13-37-0688	1	3/16 GAS FILTER



GAZ TANK DISCONTINUED
 REPLACE BY ASSEMBLY KIT:
 ADDITIONAL GAS TANK 39-57-5025

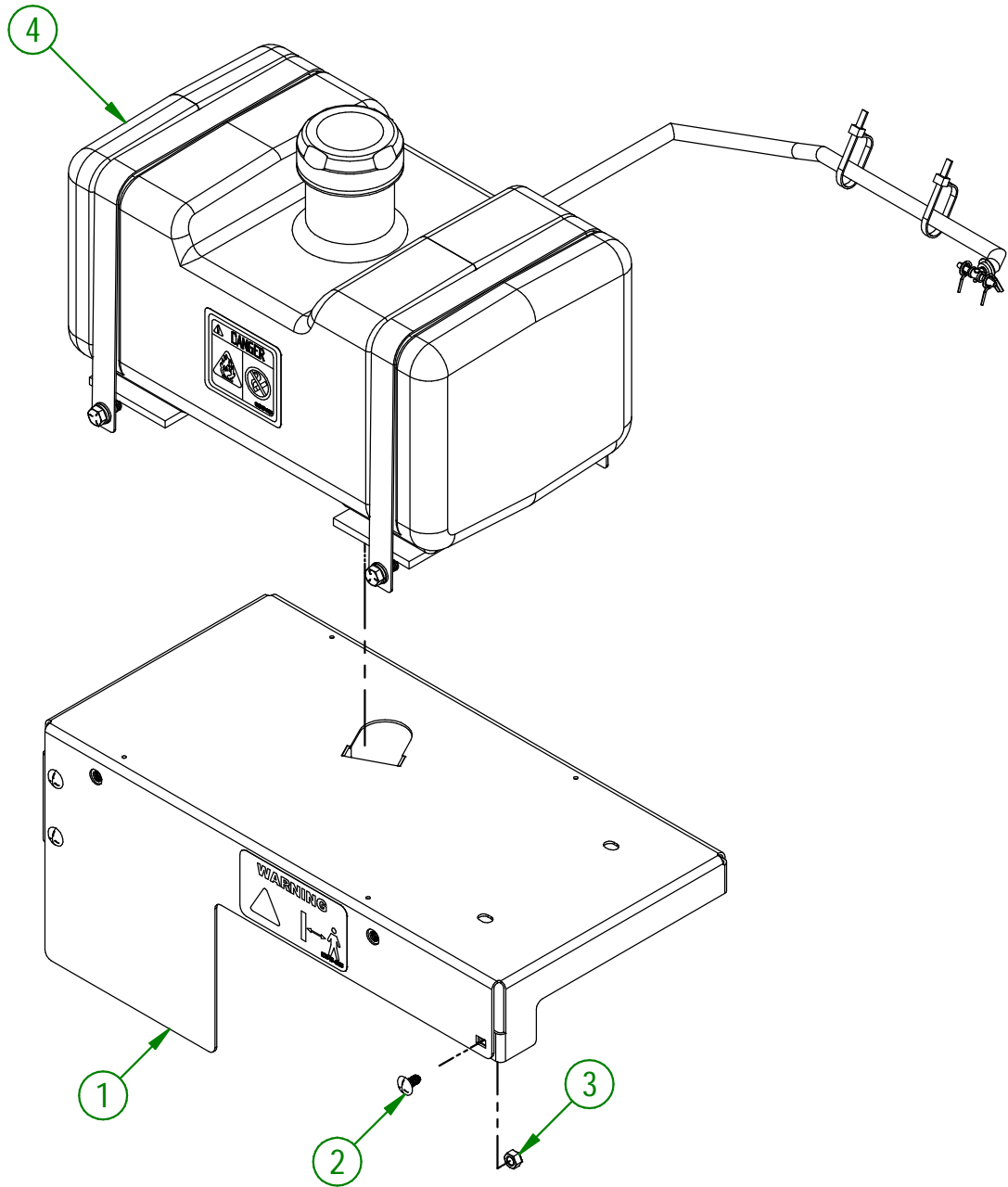
USE THESE PIECES ONLY IF YOUR SERIAL
 NUMBER IS AFFECTED:

#46008 OR LESS

AGRIMETAL	
GAS TANK OPTIONAL	
CREATION : 08/09/22	ASSEMBLY : 39-57-5020
REVISION : 10/07/24	AUTHOR : D. CHASSÉ

39-57-5025

#	PART #	QTY	TITLE
1	39-57-5011	1	HYDROSTATIC PUMP GUARD
2	NC01-07-0001	5	CARR. BOLT GR5 ZINC 1/4-20 X1/2"
3	NC01-96-0009	5	NYLON-INSERT LOCKNUT ZINC 1/4-20
4	39-57-5022	1	3 GALLON GAZ TANK



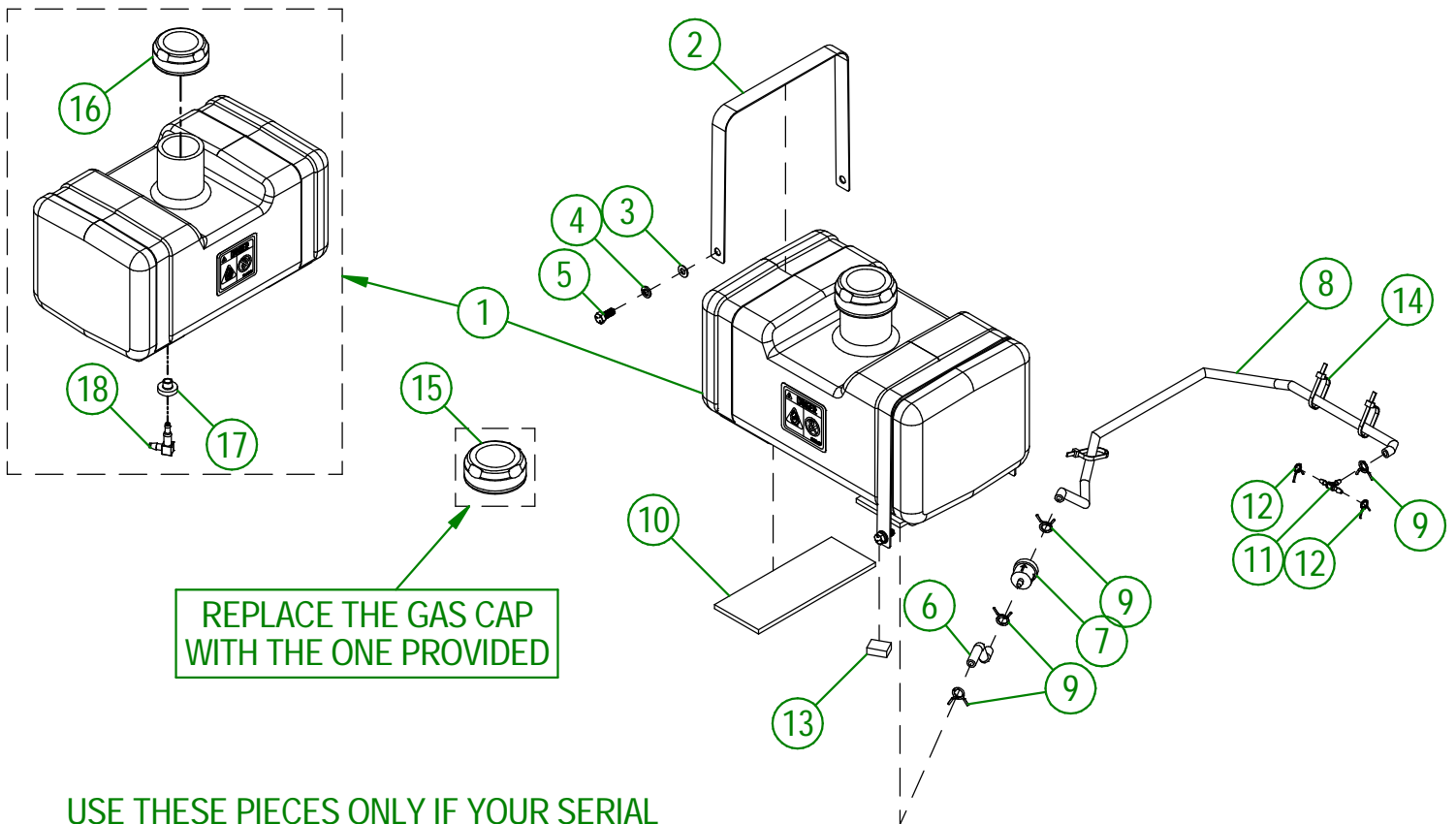
AGRIMETAL	
ADDITIONAL GAS TANK	
CREATION : 22/01/25	ASSEMBLY : 39-57-5025
REVISION : 22/01/25	AUTHOR : D. CHASSÉ

39-57-5022

#	PART #	QT	TITLE
1	39-57-5008	1	GAZ TANK
2	39-01-6605	2	GAS TANK STRIP SUPPORT
3	NC02-22-0008	4	WASHER ZINC 5/16"
4	NC02-32-0011	4	LOCK WASHER ZINC 5/16"
5	NC01-25-0058	4	HEX BOLT GR5 ZINC PLATED 5/16-18 X 3/4"
6	39-46-0170	1	GAZ LINE
7	NC13-37-0688	1	3/16 GAS FILTER
8	39-46-0175	1	GAZ LINE
9	NC01-65-0305	4	CONSTANT-TENSION SPRING CLAMPS 7/16"
10	39-42-0205	2	RUBBER FAOM SEAL TAPE BLACK 1/4" X 3" X 8"
11	NC13-68-0032	1	PLASTIC BARBED TEE FITTING TEE CONNECTOR 3/16" (GASOLINE)
12	NC01-65-0304	2	CONSTANT-TENSION SPRING CLAMPS 5/16"
13	39-42-0130	1	RUBBER FOAM SEAL TAPE BLACK 3/8" X 3/4" X 1" LG
14	NC13-25-0019	3	NYLON CABLE TIE
15	NC13-80-0317	1	GAZ CAP

39-57-5008

#	PART #	QT	TITLE
16	NC13-80-0317	1	GAZ CAP
17	NC13-80-0319	1	GROMMET VITRON #468661
18	NC13-80-0318	1	90° ELBOW X 1/4" GAS LINE



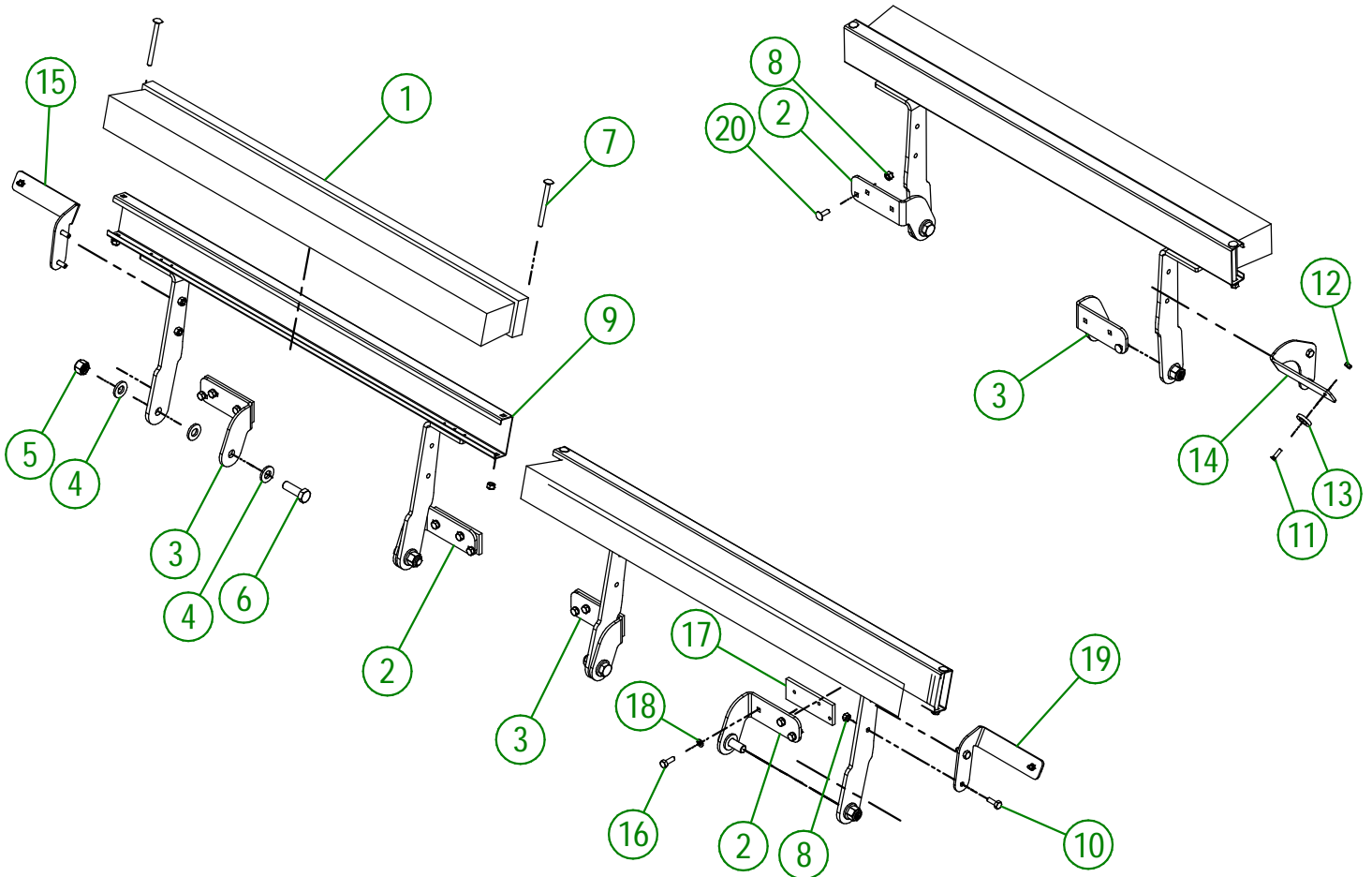
REPLACE THE GAS CAP WITH THE ONE PROVIDED

USE THESE PIECES ONLY IF YOUR SERIAL NUMBER IS AFFECTED:
OR IF YOU HAVE INSTALLED THE KIT 39-57-5025

#46009 ET PLUS

AGRIMETAL	
3 GALLON GAZ TANK OPTION	
CREATION : 29/05/24	ASSEMBLY : 39-57-5022
REVISION : 16/05/25	AUTHOR : M. HOULE

#	PART #	Qty	TITLE
1	NC13-80-0293	3	BRUSH
2	39-04-0506	3	RIGHT BRUSH HOLDER
3	39-04-0510	3	RIGHT BRUSH HOLDER
4	NC02-25-0011	18	WASHER SAE ZINC 17/32 ID
5	NC01-96-0014	6	NYLON-INSERT LOCKNUT ZINC 1/2-13
6	NC01-17-0249	6	HEX. BOLT GR2 ZINC 1/2-13 X 1 1/2"
7	NC01-02-0013	6	CARR. BOLT GR2 ZINC 1/4-20 X 3/4"
8	NC01-96-0009	14	NYLON-INSERT LOCKNUT ZINC 1/4-20
9	39-50-9001	3	BRUSH HOLDER
10	NC01-17-0004	4	HEX. BOLT GR2 ZINC 1/4-20 X 3/4"
11	NC02-36-0110	3	MACHINE SCREW FLAT HEAD 10-24 X 3/4" LG.
12	NC01-96-0006	3	NYLON NUT ZINC 3/16
13	NC13-05-0008	3	MAGNET
14	39-01-0296	1	MAGNET HOLDER (RIGHT)
15	39-01-0410	1	MAGNET HOLDER (LEFT FRONT)
16	NC01-25-0004	14	HEX. BOLT GR5 ZINC 1/4-20 X 3/4"
17	39-05-0105	4	PLATE FOR BRUSH HOLDER
18	NC02-32-0010	12	LOCK WASHER ZINC 1/4"
19	39-01-0415	1	MAGNET HOLDER (LEFT BACK)
20	NC01-04-0003	2	CARR. BOLT GR2 ZINC 1/4-20 X 3/4"



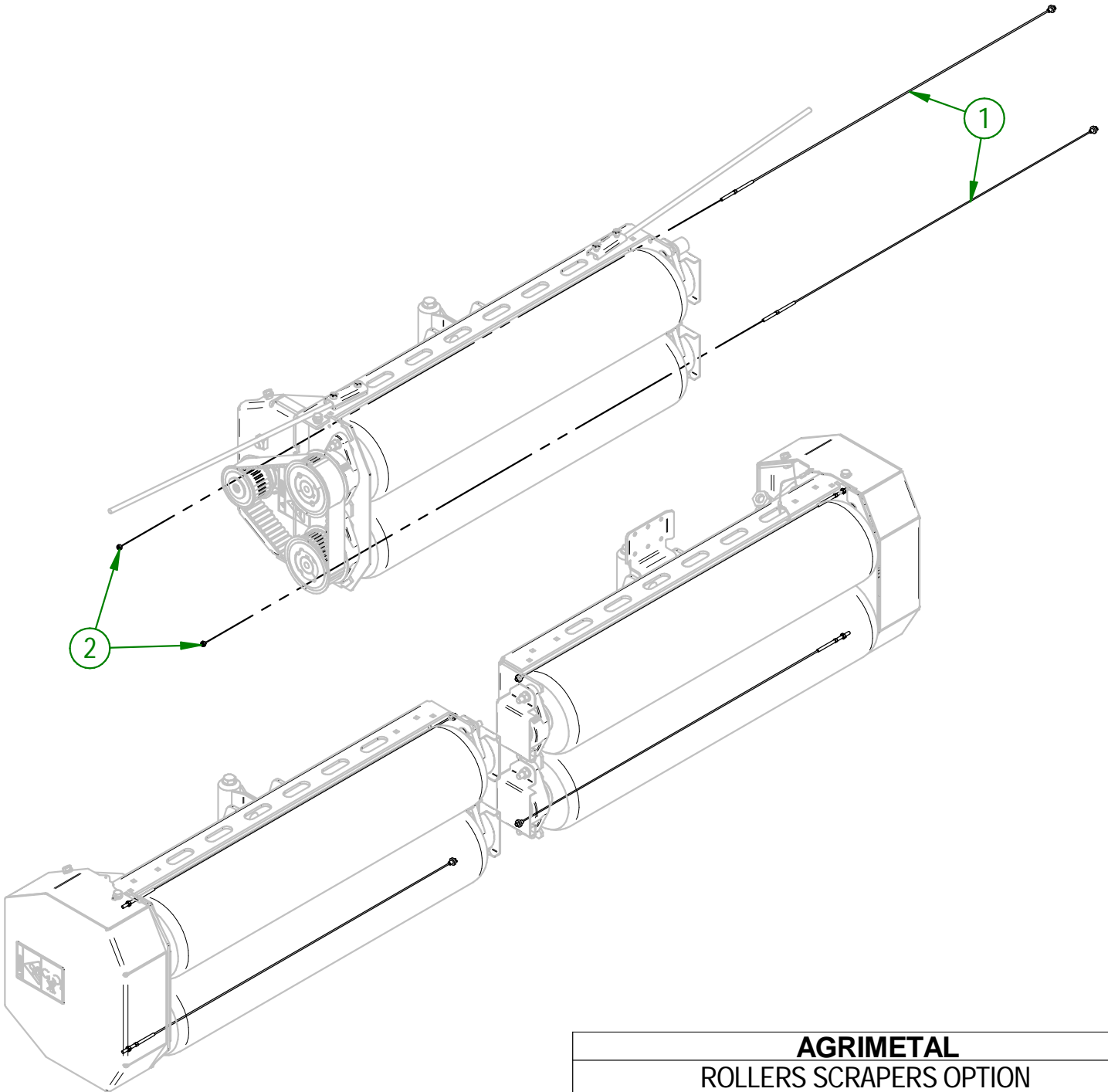
AGRIMETAL
BRUSH OPTION

CREATION : 17/01/24
REVISION : 17/01/24

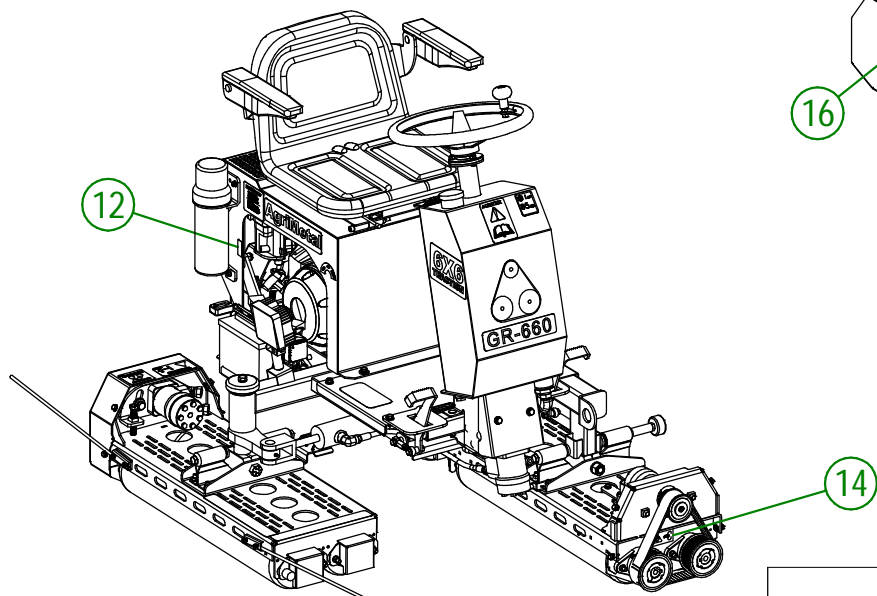
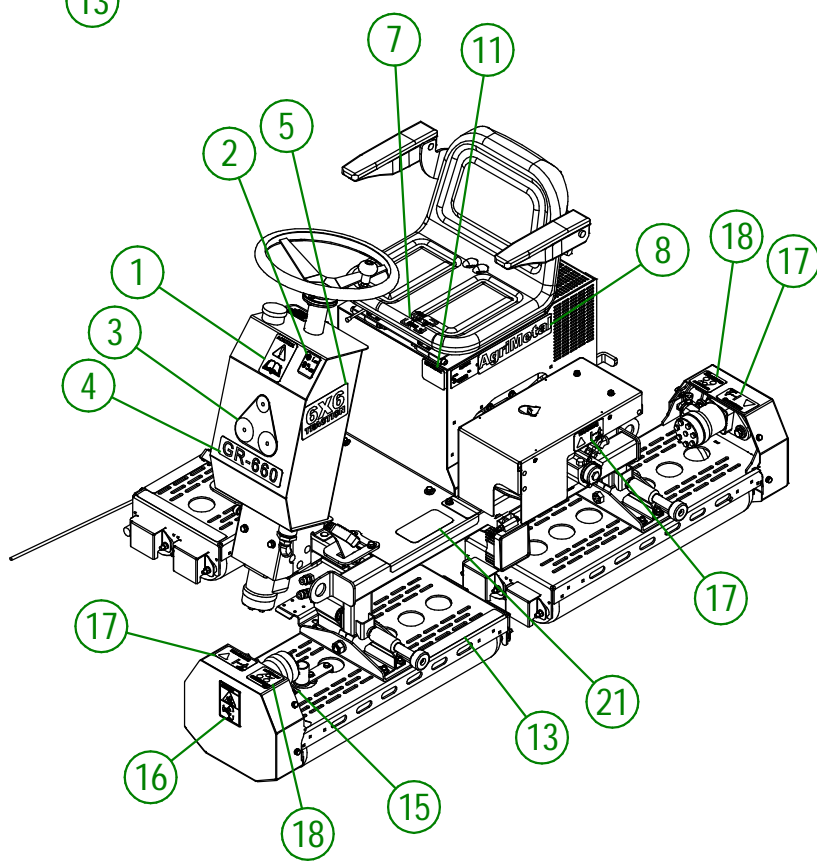
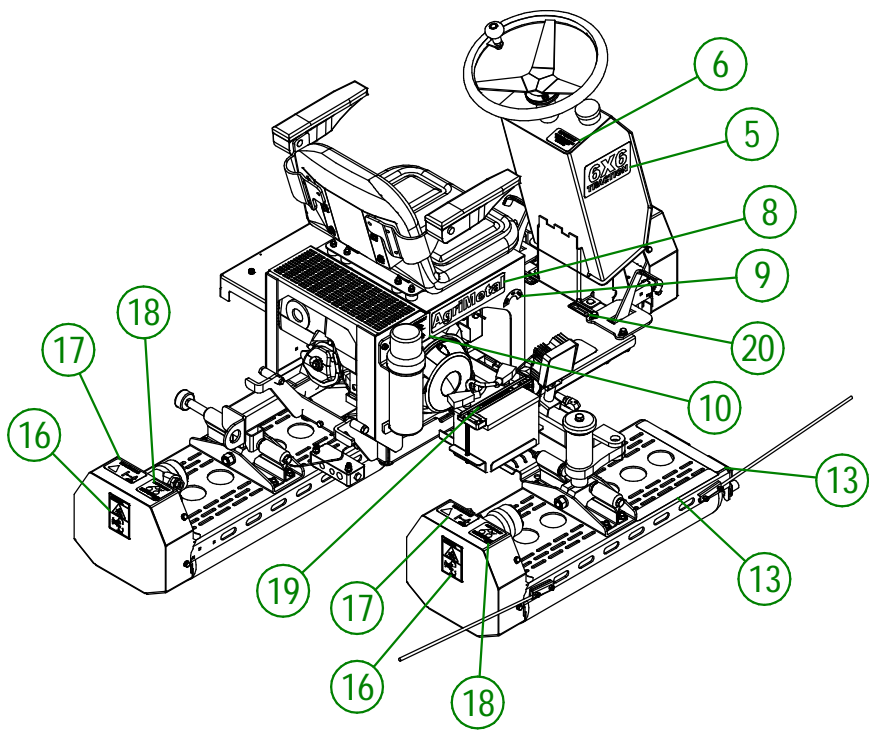
ASSEMBLY : **39-57-9200**
AUTHOR : D. CHASSÉ

39-57-9210

#	PART #	Qty	TITLE
1	NC17-02-0438	6	GR660 CABLE SS 3/32" DIA X 31 3/4"
2	NC02-14-2502	6	NYLON NUT HEX. ZINC M5 X 0.80



AGRIMETAL	
ROLLERS SCRAPERS OPTION	
CREATION : 21/05/24	ASSEMBLY : 39-57-9210
REVISION : 21/05/24	AUTHOR : D. CHASSÉ



AGRIMETAL	
GREEN ROLLER GR-660-G	
CREATION : 13/03/24	ASSEMBLY : 39-99-0015
REVISION : 02/07/25	AUTHOR : D. Bevins

39-99-0015

#	PART #	QTY	TITLE
1	NC13-33-0183	1	STICKER CAUTION OPERATION MANUAL
2	NC13-33-0340	1	STICKER 85 DB
3	NC13-33-2678	1	STICKER SYNCHRO BELT DRIVE
4	NC13-33-2685	1	STICKER GR 660
5	NC13-33-2683	2	STICKER 6 X 6
6	NC13-33-2696	1	CHANGE OIL ANNUALLY STICKER
7	NC13-33-0185	1	STICKER PICTOGRAM (FIRE + CIGARETTE)
8	NC13-33-2687	2	STICKER AGRIMETAL
9	NC13-33-0095	1	STICKER OFF ON START
10	NC13-33-0151	1	STICKER (IMPORTANT TO PREVENT ENGINE FAILURE...)
11	NC13-33-0178	1	STICKER IMPORTANT PLEASE CHECK OIL LEVEL...
12	NC13-33-2662	1	ON OFF CHOKE/GAZ STICKER
13	NC13-80-0081	3	STICKER ANTI-SLIP ROUND CORNER BLACK 1 1/2" X 12"
14	NC13-33-0351	3	STICKER DANGER
15	NC13-33-2695	1	FLAG HOLDER STICKER
16	NC13-33-0282	3	STICKER DANGER
17	NC13-33-0288	4	STICKER WARNING HIGH-PRESSURE LIQUID
18	NC13-33-0355	3	TENSION BELT STICKER
19	NC13-33-0350	1	STICKER LIGHT SWITCH
20	NC13-33-0124	2	STICKER STEERING ARROW
21	NC13-80-0082	2	STICKER ANTI-SCRATCH 3" X 6"