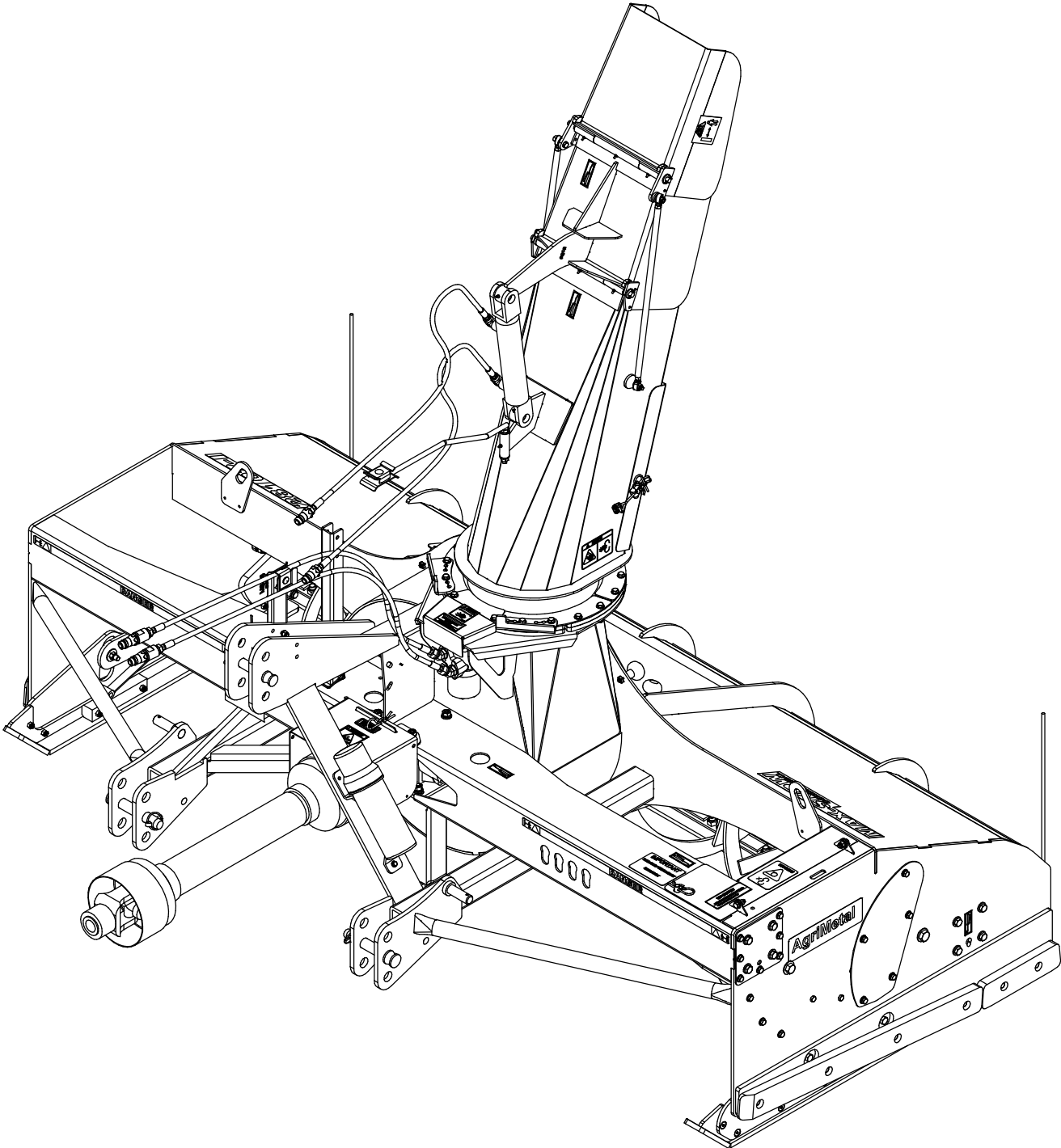


AgriMetal

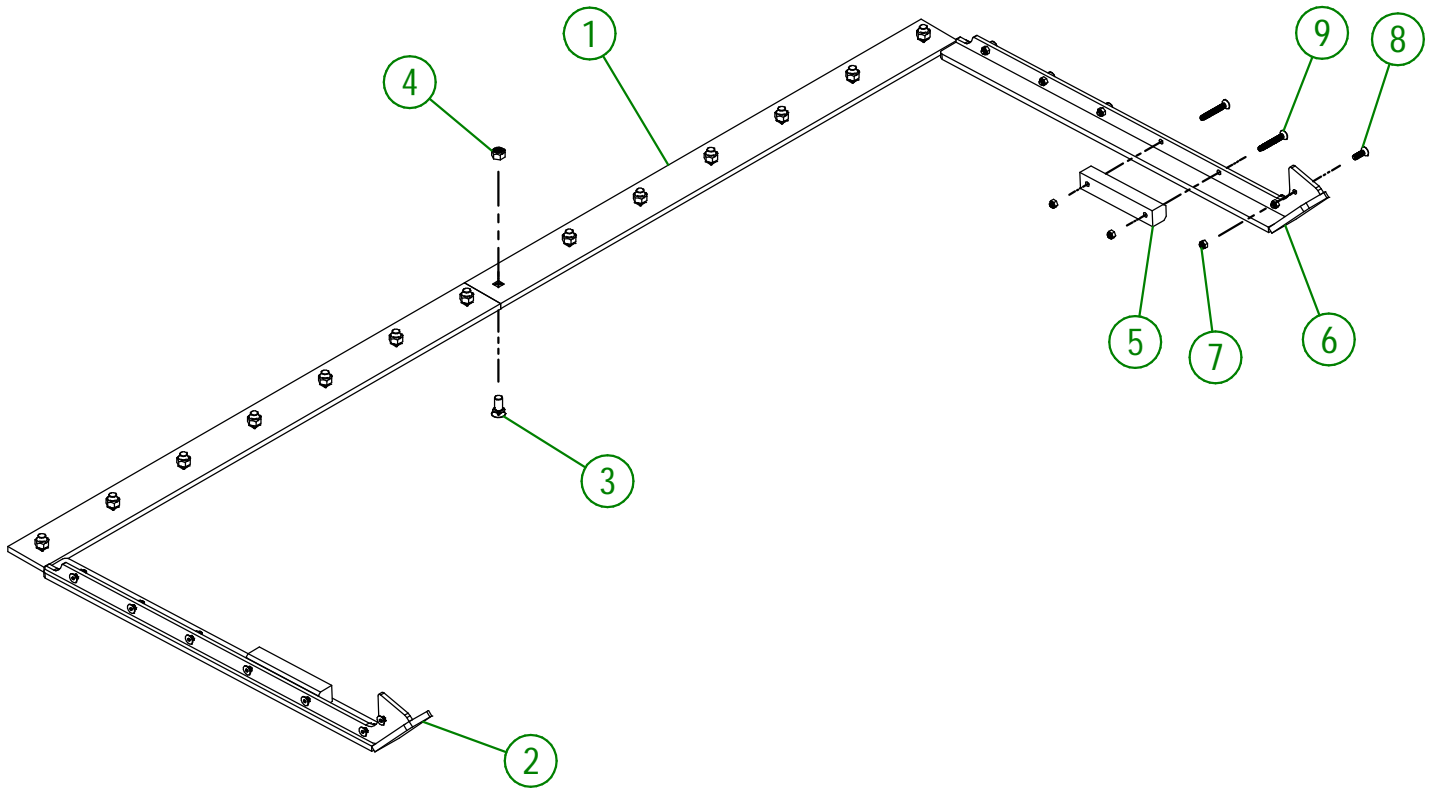
PARTS LIST



MS 28102-i

84-57-0325

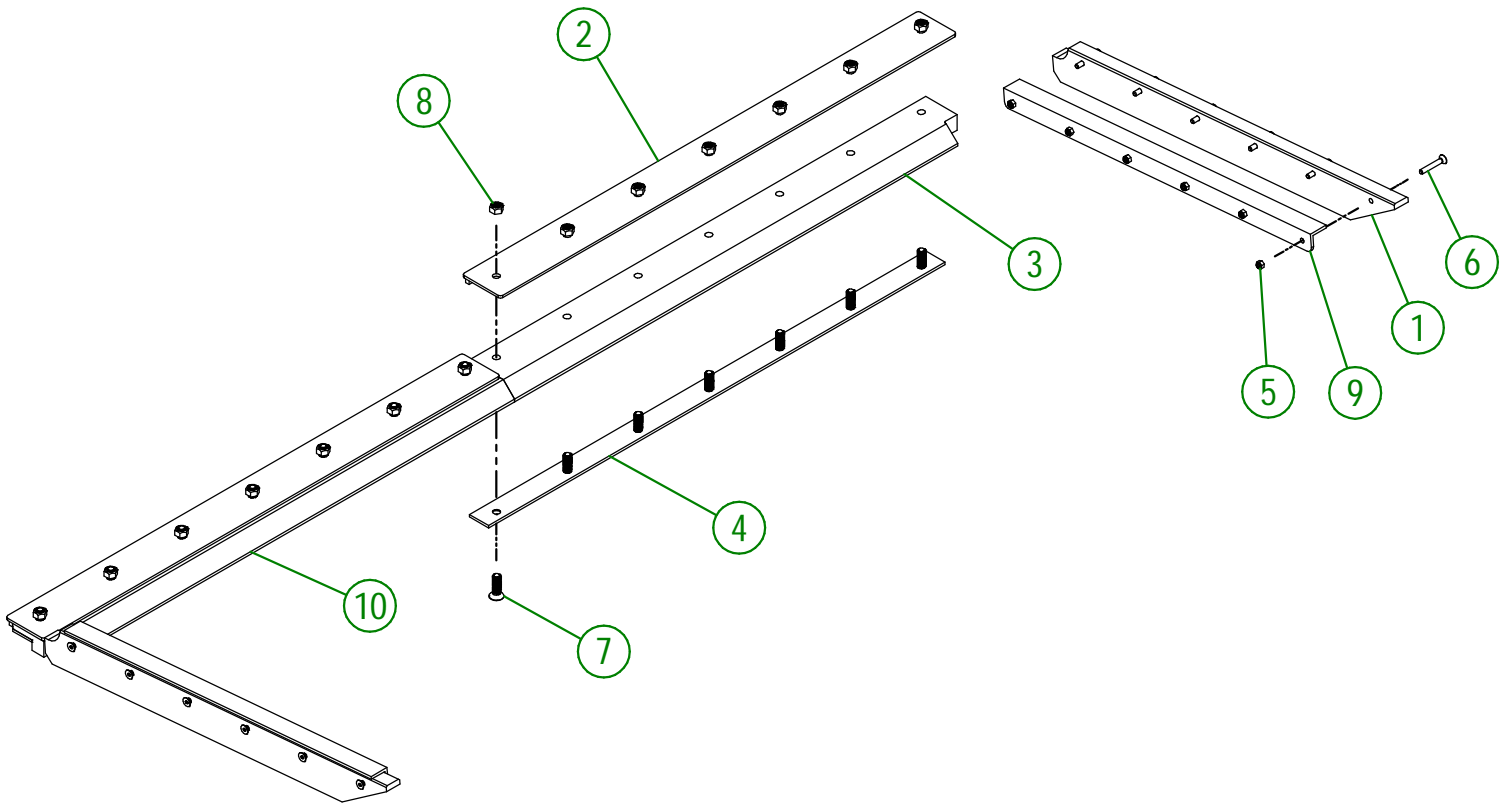
| # | PART # | Qty | TITLE |
|---|--------------|-----|---|
| 1 | 84-20-0450 | 2 | KNIFE (#450 HARDNESS STEEL) |
| 2 | 84-50-0445 | 1 | RIGHT FLOATING SKATE (QT-450) |
| 3 | NC01-09-0039 | 14 | PLOW BOLT GR5 5/8-11 X 1 1/2" LG |
| 4 | NC01-93-0016 | 14 | LOCK NUT ZINC 5/8-11 |
| 5 | 84-42-0340 | 2 | WEAR STRIP FOR SPRING BLADE |
| 6 | 84-50-0440 | 1 | LEFT FLOATING SKATE (QT-450) |
| 7 | NC01-96-0011 | 14 | NYLON NUT 3/8-16 |
| 8 | NC02-48-0533 | 10 | STAINLESS FLAT HEAD SOCKET CAP SREW 3/8-16 X 1 1/4" |
| 9 | NC02-48-0539 | 4 | STAINLESS FLAT HEAD SOCKET CAP SREW 3/8-16 X 2 3/4" |



| | |
|-------------------------------|------------------------------|
| AGRIMETAL | |
| SET OF KNIVES (QT-450) | |
| CREATION : 30/03/22 | ASSEMBLY : 84-57-0325 |
| REVISION : 08/12/22 | AUTHOR : J. Houle |

84-57-0330

| # | PART # | Qty | TITLE |
|----|--------------|-----|---|
| 1 | 84-42-0500 | 2 | FLOATING SKATE (UHMW) |
| 2 | 84-50-0450 | 2 | KNIFE BRACE (TOP) |
| 3 | 84-42-0505 | 1 | LEFT KNIFE (UHMW) |
| 4 | 84-04-0815 | 2 | KNIFE BRACE (UNDER) |
| 5 | NC01-96-0011 | 12 | NYLON NUT 3/8-16 |
| 6 | NC02-48-0037 | 12 | FLAT HEAD SOCKET CAP SCREW 3/8-16 X 2 1/2" LG |
| 7 | NC02-48-0564 | 14 | FLAT HEAD SOCKET CAP SCREW STAINLESS 5/8-11 X 2" LG |
| 8 | NC01-93-0016 | 14 | LOCK NUT ZINC 5/8-11 |
| 9 | 84-16-0000 | 2 | FLOATING SKATE BRACE |
| 10 | 84-42-0510 | 1 | RIGHT KNIFE (UHMW) |



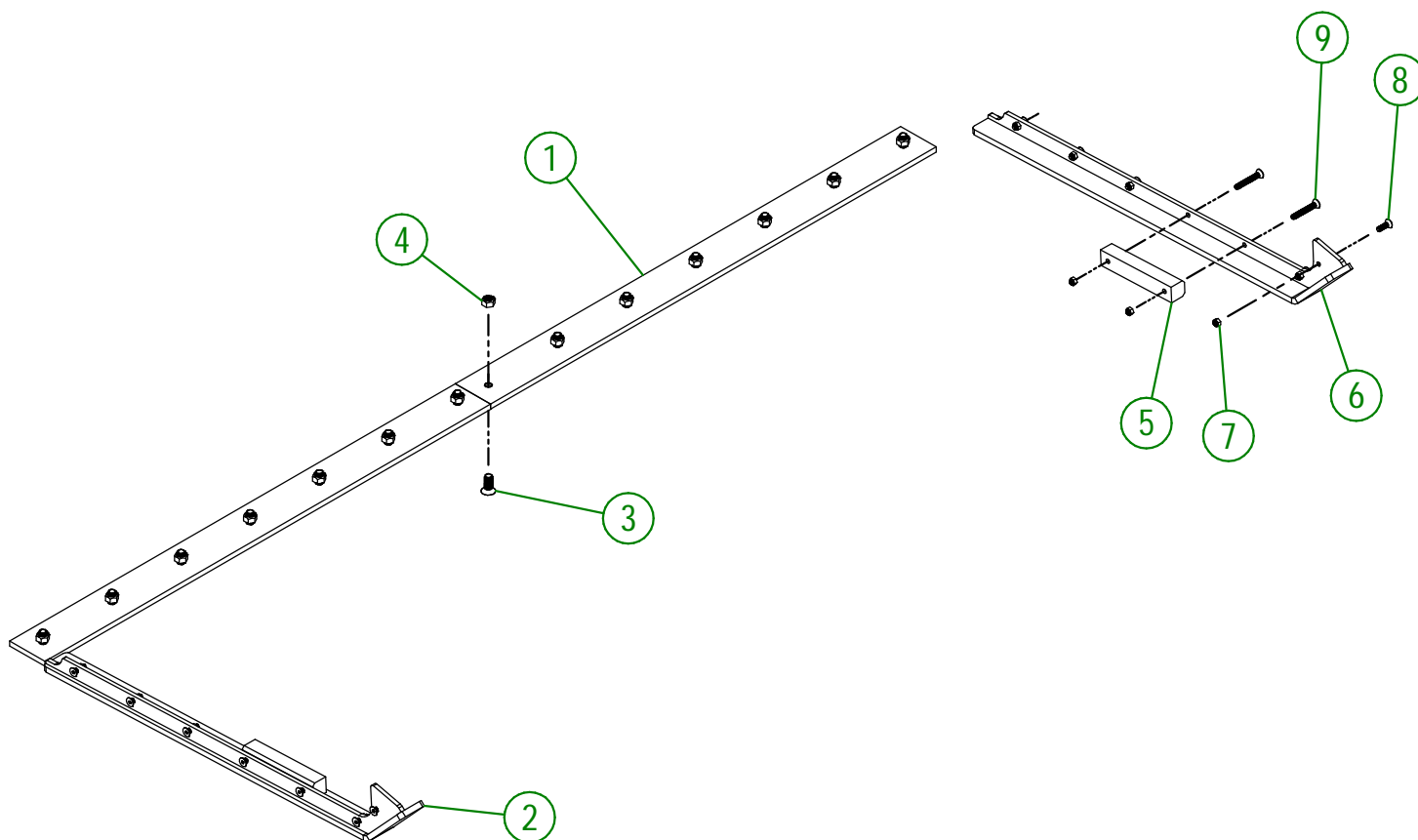
AGRIMETAL

SET OF KNIVES (UHMW)

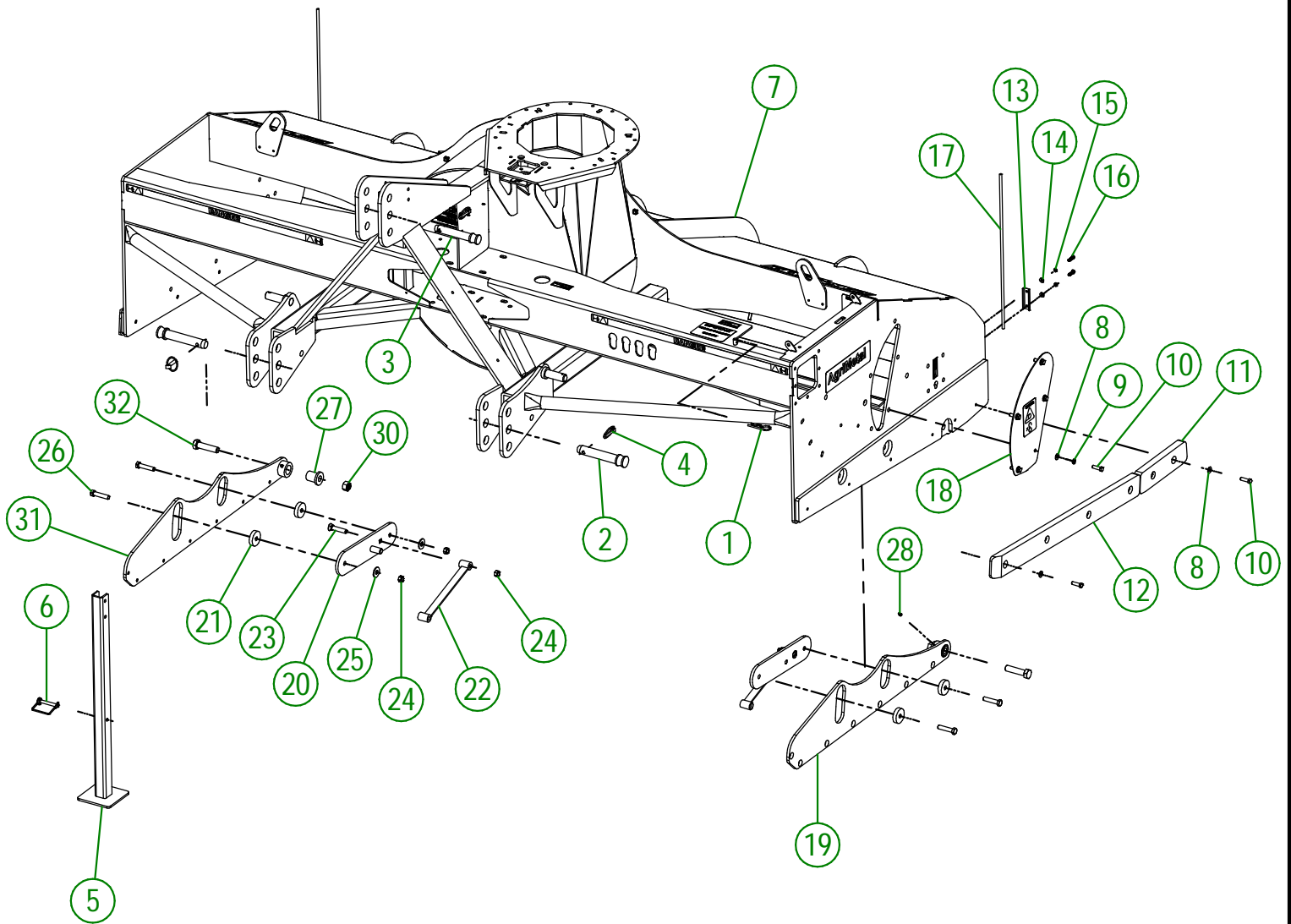
CREATION : 30/03/22
REVISION : 09/12/22

ASSEMBLY : **84-57-0330**
AUTHOR : J. Houle

| # | PART # | Qty | TITLE |
|---|--------------|-----|--|
| 1 | 84-20-0455 | 2 | KNIFE (STAINLESS STEEL) |
| 2 | 84-50-0475 | 1 | RIGHT FLOATING SKATE (STAINLESS) |
| 3 | NC02-48-0562 | 14 | FLAT HEAD SOCKET CAP SCREW STAINLESS 5/8-11 X 1 1/2" |
| 4 | NC01-93-0016 | 14 | LOCK NUT ZINC 5/8-11 |
| 5 | 84-42-0340 | 2 | WEAR STRIP FOR SPRING BLADE |
| 6 | 84-50-0470 | 1 | LEFT FLOATING SKATE (STAINLESS) |
| 7 | NC01-96-0011 | 14 | NYLON NUT 3/8-16 |
| 8 | NC02-48-0533 | 10 | STAINLESS FLAT HEAD SOCKET CAP SREW 3/8-16 X 1 1/4" |
| 9 | NC02-48-0539 | 4 | STAINLESS FLAT HEAD SOCKET CAP SREW 3/8-16 X 2 3/4" |



| | |
|----------------------------------|------------------------------|
| AGRIMETAL | |
| SET OF KNIVES (STAINLESS) | |
| CREATION : 30/03/22 | ASSEMBLY : 84-57-0335 |
| REVISION : 09/12/22 | AUTHOR : J. Houle |



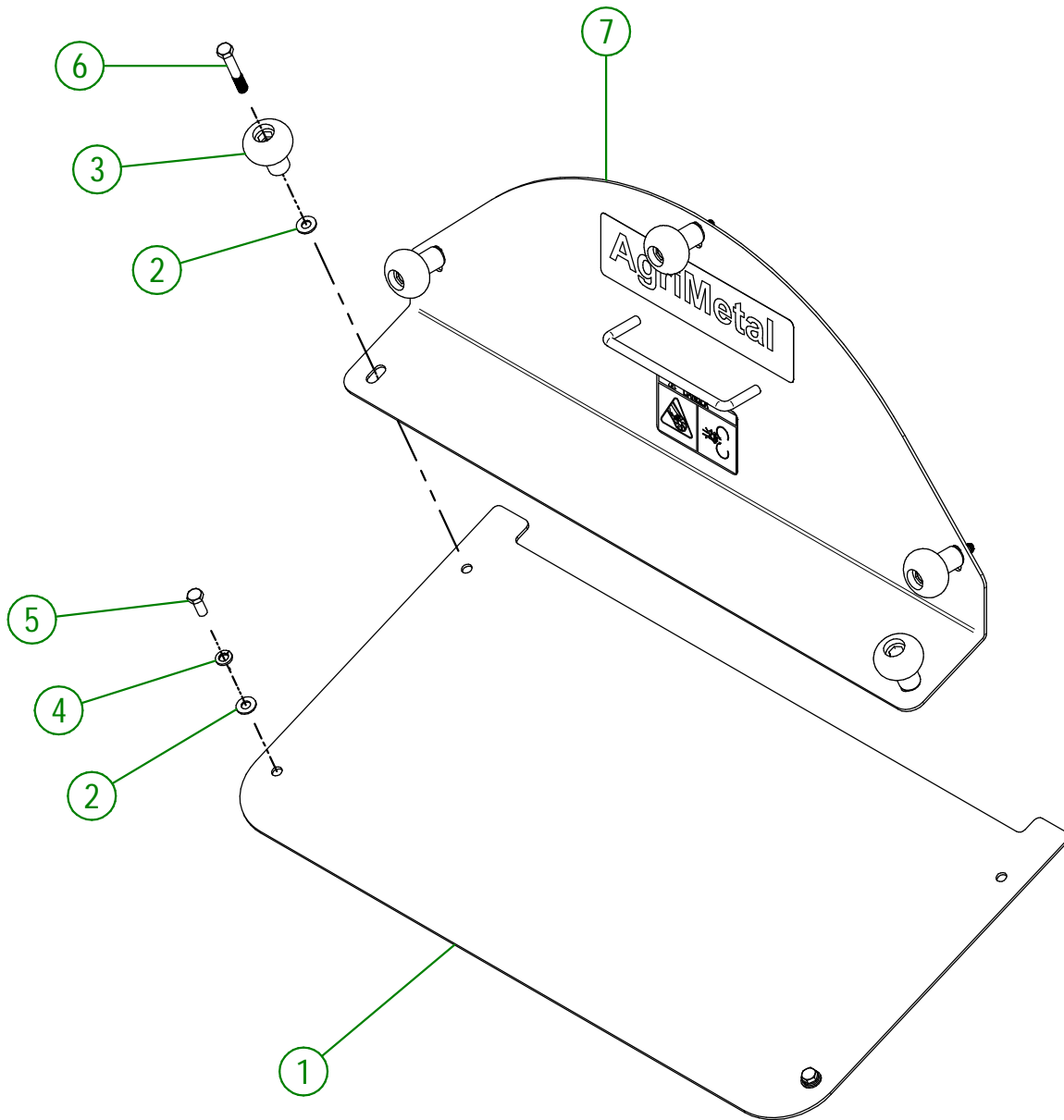
| | |
|---------------------|------------------------------|
| AGRIMETAL | |
| FRAME GROUP | |
| CREATION : 31/03/22 | ASSEMBLY : 84-57-0345 |
| REVISION : 08/12/22 | AUTHOR : J. Houle |

84-57-0345

| # | PART # | Qty | TITLE |
|----|--------------|-----|---|
| 1 | NC01-63-0026 | 1 | COTTER PIN ZC 5/32" X 3" |
| 2 | 48-20-0065 | 2 | 3 POINT PIN |
| 3 | 48-20-0060 | 1 | 3 POINT PIN |
| 4 | NC01-69-1100 | 3 | LINCH PIN 3/8" |
| 5 | 84-50-0090 | 1 | STAND |
| 6 | NC01-69-1306 | 1 | LOCKING PIN 3/8" X 2 1/2" LG |
| 7 | 84-57-0340 | 1 | FRAME |
| 8 | 01-01-2485 | 17 | FLAT WASHER 14 GA X 13/16"OD X 25/64" ID |
| 9 | NC02-32-0012 | 5 | LOCK WASHER ZINC 3/8" |
| 10 | NC01-17-0115 | 17 | HEX. BOLT GR2 ZINC 3/8-16 X 1 1/4" |
| 11 | 84-42-0400 | 2 | SIDE PROTECTION |
| 12 | 84-42-0405 | 2 | SIDE PROTECTION |
| 13 | 39-01-2440 | 2 | GUIDE ROD CLAMP |
| 14 | NC02-25-0007 | 4 | WASHER ZINC 0.281 = 9/32 |
| 15 | NC02-32-0010 | 4 | LOCK WASHER ZINC 1/4" |
| 16 | NC01-29-0006 | 4 | HEX. BOLT GR5 NF ZINC 1/4-28 X 1 1/2 |
| 17 | 39-42-0600 | 2 | GUIDE ROD |
| 18 | 84-57-0450 | 1 | CHAIN TENSIONER GUARD |
| 19 | 84-50-0455 | 1 | LEFT FLOATING SKATE HOLDER |
| 20 | 84-50-0435 | 1 | SPRING BLADE HOLDER |
| 21 | 84-13-2065 | 4 | FLOATING SKATE BUSHING |
| 22 | 84-50-2005 | 2 | SPRING BLADE |
| 23 | NC01-09-0034 | 2 | PLOW BOLT GR5 1/2-13 X 2 1/2" LG |
| 24 | NC01-96-0014 | 6 | NYLON-INSERT LOCKNUT ZINC 1/2-13 |
| 25 | NC02-22-0012 | 4 | WASHER ZINC 1/2 BOLT = 9/16"Ø X 1 3/8" OD |
| 26 | NC01-54-1252 | 4 | HEX BOLT. GR2 STAINLESS 1/2-13 X 2 1/4" |
| 27 | 84-13-2085 | 2 | PIVOT BUSHING |
| 28 | NC01-69-0785 | 2 | STRAIGHT GREASE FITTING 1/4-28 |
| 29 | 84-50-0430 | 1 | SPRING BLADE HOLDER |
| 30 | NC01-93-0017 | 2 | HEX. LOCKNUT STEEL NC Z 3/4-10 |
| 31 | 84-50-0460 | 1 | RIGHT FLOATING SKATE HOLDER |
| 32 | NC01-25-0565 | 2 | HEX. BOLT GR5 ZINC 3/4-10 X 3" LG. |

84-57-0355

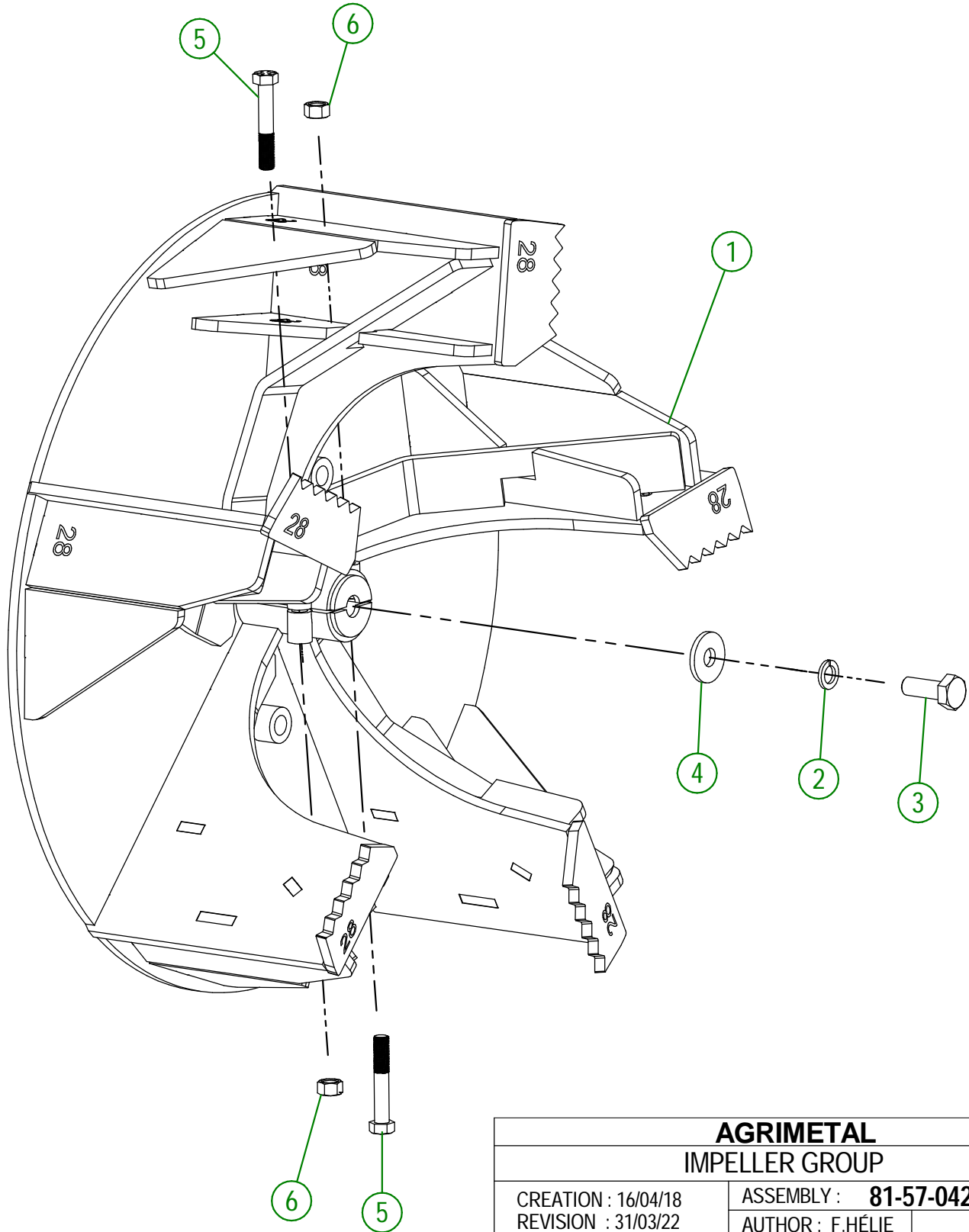
| # | PART # | Qty | TITLE |
|---|--------------|-----|--|
| 1 | 84-01-0130 | 1 | IMPELLER ACCESS DOOR |
| 2 | 01-01-2485 | 7 | FLAT WASHER 14 GA X 13/16"OD X 25/64" ID |
| 3 | NC17-46-0018 | 5 | HANDLE KNOB |
| 4 | NC02-32-0012 | 2 | LOCK WASHER ZINC 3/8" |
| 5 | NC01-17-0114 | 2 | HEX. BOLT GR2 ZINC 3/8-16 X 1" |
| 6 | NC01-17-0120 | 5 | HEX.BOLT GR2 NC ZINC 3/8-16 X 2 1/2 |
| 7 | 84-57-0350 | 1 | IMPELLER ACCESS DOOR |



| | |
|-----------------------------------|------------------------------|
| AGRIMETAL | |
| IMPELLER ACCESS DOOR GROUP | |
| CREATION : 31/03/22 | ASSEMBLY : 84-57-0355 |
| REVISION : 31/03/22 | AUTHOR : J. Houle |

81-57-0426

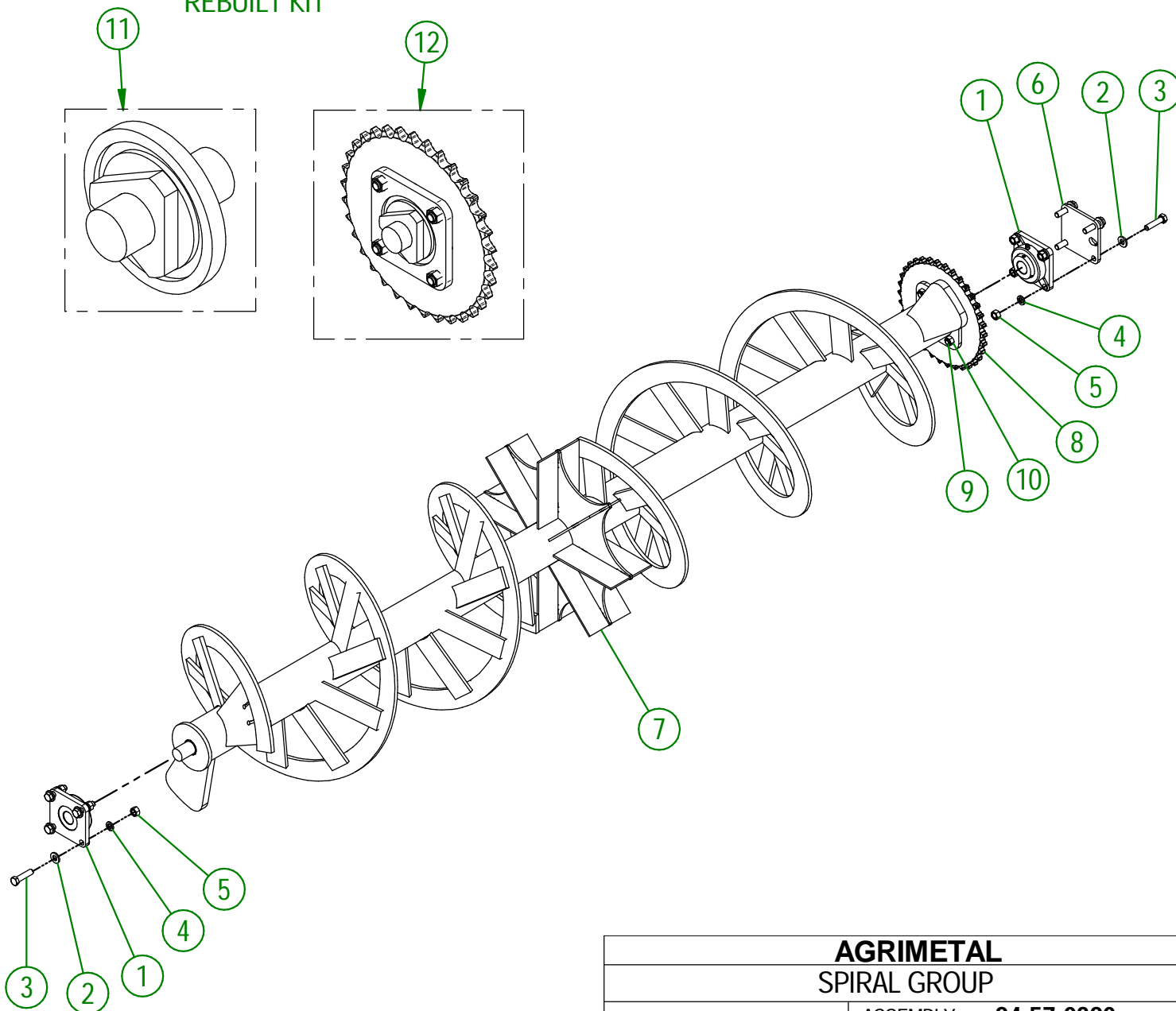
| # | PART # | Qty | TITLE |
|---|--------------|-----|---------------------------------------|
| 1 | 81-50-0050 | 1 | IMPELLER |
| 2 | NC02-32-0016 | 1 | LOCK WASHER ZINC 5/8" |
| 3 | NC01-25-0395 | 1 | HEX. BOLT GR5 ZINC 5/8-11 X 1 3/4" LG |
| 4 | 80-04-0185 | 1 | WASHER |
| 5 | NC01-37-0255 | 2 | HEX BOLT GR8 1/2" X 3" LG. |
| 6 | NC01-94-0013 | 2 | NYLON NUT ZINC 1/2-20" |



| | |
|-----------------------|------------------------------|
| AGRIMETAL | |
| IMPELLER GROUP | |
| CREATION : 16/04/18 | ASSEMBLY : 81-57-0426 |
| REVISION : 31/03/22 | AUTHOR : F.HÉLIE |

| # | # DE PIÈCE | QTÉ | TITRE |
|----|--------------|-----|------------------------------------|
| 1 | NC14-75-0160 | 2 | FLANGE BEARING UCF207-20 1 1/4" ID |
| 2 | NC02-25-0011 | 8 | WASHER SAE ZINC 17/32 ID |
| 3 | NC01-17-0251 | 8 | HEX. BOLT GR2 ZINC 1/2-13 X 2" |
| 4 | NC02-32-0014 | 8 | LOCK WASHER ZINC 1/2" |
| 5 | NC02-07-0020 | 8 | HEX. NUT ZINC 1/2-13 |
| 6 | 84-04-0450 | 1 | SPIRAL BEARING SHIM |
| 7 | 84-50-0416 | 1 | SPIRAL |
| 8 | NC14-55-0275 | 1 | 80A34 SPROCKET |
| 9 | NC01-29-0249 | 4 | HEX. BOLT GR5 ZINC 1/2-20 X 1 1/2 |
| 10 | NC01-94-0013 | 4 | JAM NUT 1/2-20 |
| 11 | 102-51-1070 | 1 | SHAFT OF THE SPIRAL |
| 12 | 84-51-0360 | 1 | SHAFT OF THE SPIRAL (SPROCKET) |

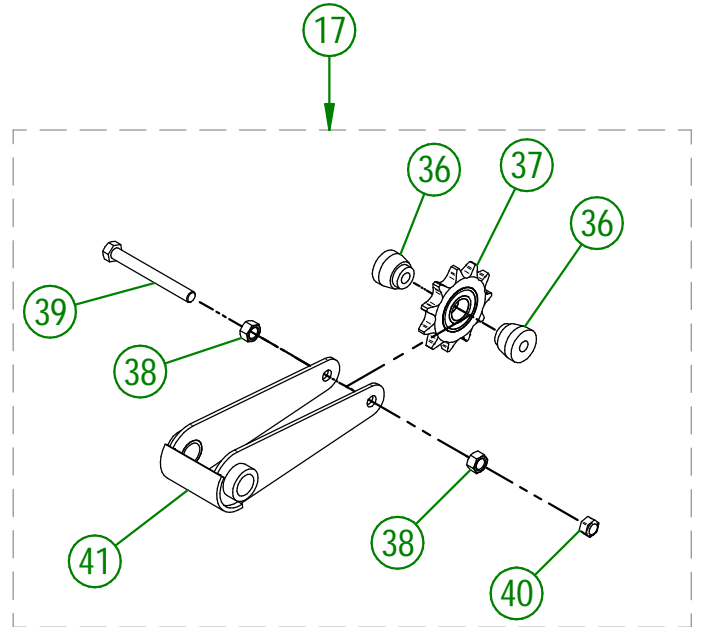
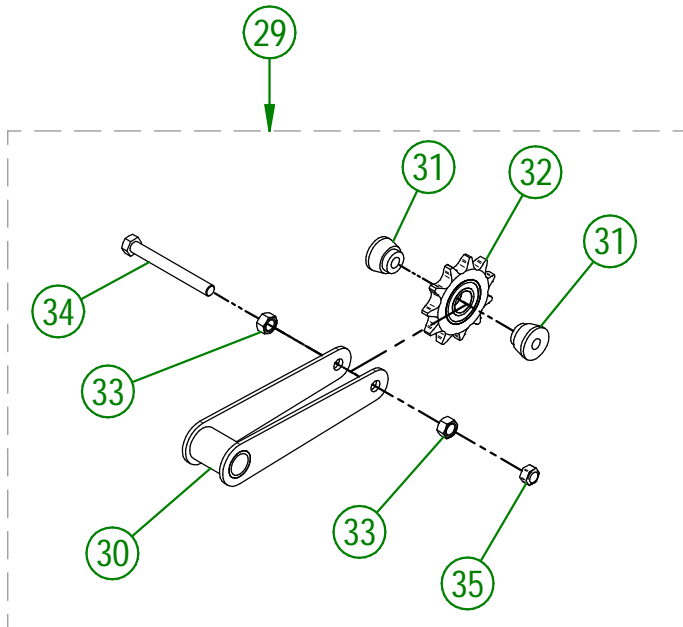
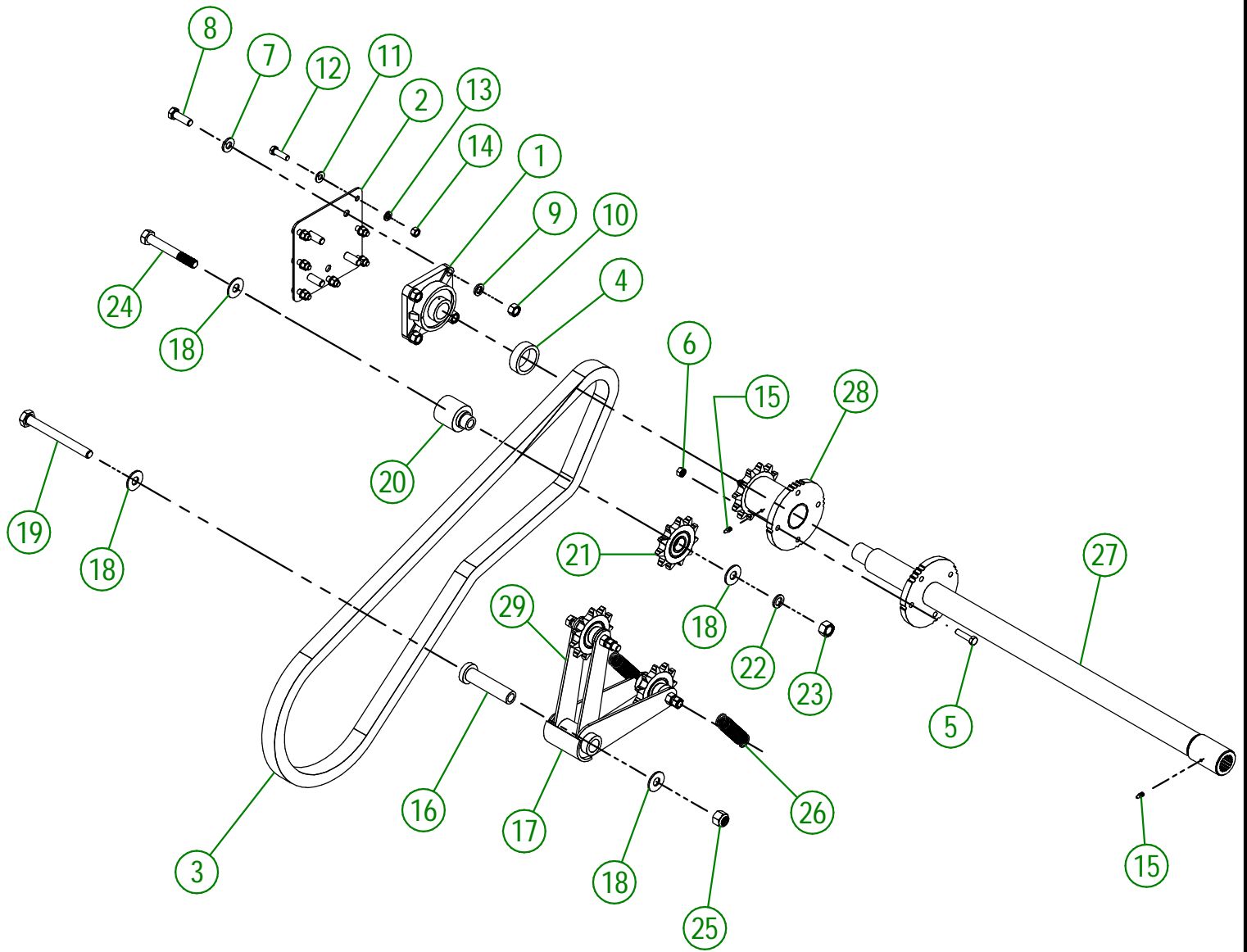
REBUILT KIT



AGRIMETAL
SPIRAL GROUP

CREATION : 31/03/22
REVISION : 04/07/23

ASSEMBLY : **84-57-0320**
AUTHOR : J. Houle



| | |
|---------------------------------|------------------------------|
| AGRIMETAL | |
| SPIRAL DRIVE TRAIN GROUP | |
| CREATION : 30/03/22 | ASSEMBLY : 84-57-0132 |
| REVISION : 28/03/23 | AUTHOR : J. Houle |

84-57-0132

| # | PART # | Qty | TITLE |
|----|--------------|-----|--|
| 1 | NC14-75-0024 | 1 | FLANGE BEARING 4 HOLES UCF207-20 I 1/4" DIA. |
| 2 | 84-01-0905 | 1 | COUNTER SHAFT BEARING SUPPORT |
| 3 | 84-37-1007 | 1 | CHAIN #80 |
| 4 | 84-24-0005 | 1 | SPIRAL DRIVE TRAIN BUSHING |
| 5 | NC01-25-0116 | 1 | HEX. BOLT GR5 ZINC 3/8-16 X I 1/2" |
| 6 | NC01-93-0011 | 1 | LOCK NUT 3/8-16 |
| 7 | NC02-25-0011 | 4 | WASHER SAE ZINC 17/32 ID |
| 8 | NC01-17-0249 | 4 | HEX. BOLT GR2 ZINC 1/2-13 X I 1/2" |
| 9 | NC02-32-0014 | 4 | LOCK WASHER ZINC 1/2" |
| 10 | NC02-07-0020 | 4 | HEX. NUT ZINC 1/2-13 |
| 11 | 01-01-2485 | 7 | FLAT WASHER 14 GA X 13/16"OD X 25/64" ID |
| 12 | NC01-17-0115 | 7 | HEX. BOLT GR2 ZINC 3/8-16 X I 1/4" |
| 13 | NC02-32-0012 | 7 | LOCK WASHER ZINC 3/8" |
| 14 | NC02-07-0018 | 7 | HEX. NUT ZINC 3/8-16 |
| 15 | NC01-69-0785 | 2 | STRAIGHT GREASE FITTING 1/4-28 |
| 16 | 84-13-0025 | 1 | TENSIONER PIVOT BUSHING |
| 17 | 84-55-1325 | 1 | CHAIN TENSIONER ASSEMBLY |
| 18 | NC02-22-0013 | 4 | WASHER ZINC 5/8 ID X I 1/2 OD |
| 19 | NC01-25-0564 | 1 | HEX. BOLT GR5 ZINC 5/8-11 X 6" LG |
| 20 | 81-21-0002 | 1 | CHAIN TENSIONER BUSHING |
| 21 | 81-55-0005 | 1 | CHAIN TENSIONER SPROCKET |
| 22 | NC02-32-0016 | 1 | LOCK WASHER ZINC 5/8" |
| 23 | NC02-10-0022 | 1 | HEX. NUT ZINC 5/8-18 |
| 24 | NC01-17-0406 | 1 | HEX. BOLT GR2 ZINC 5/8-11 X 4 1/2" |
| 25 | NC01-96-0016 | 1 | NYLON INSERT NUT 5/8-11 |
| 26 | NC13-85-0061 | 2 | SPRING |
| 27 | 84-50-0166 | 1 | SPIRAL DRIVE TRAIN |
| 28 | NC14-55-0328 | 1 | SPROCKET |
| 29 | 84-55-1320 | 1 | CHAIN TENSIONER ASSEMBLY |

84-55-1320

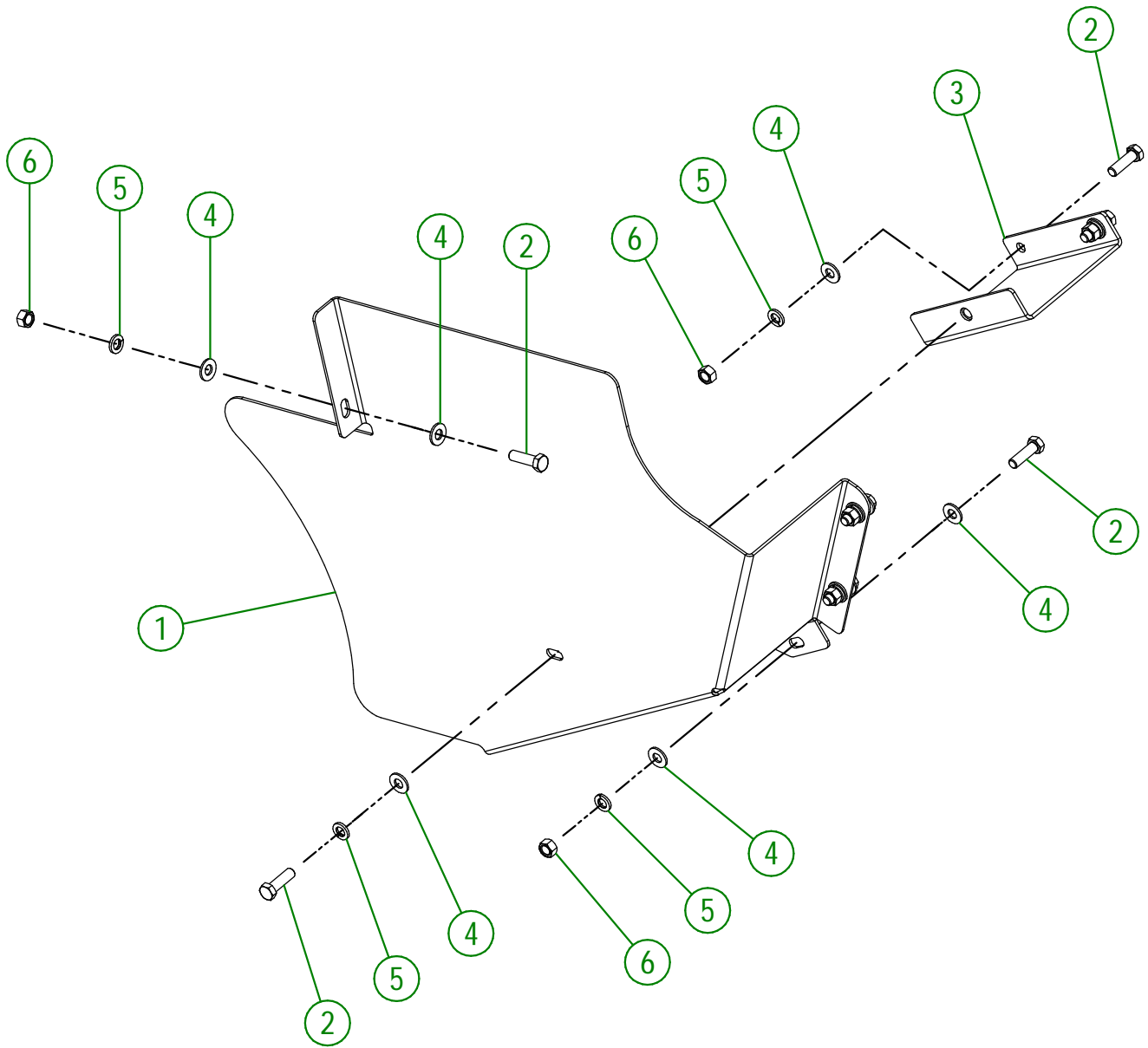
| # | PART # | Qty | TITLE |
|----|--------------|-----|---|
| 30 | 84-50-0485 | 1 | CHAIN TENSIONER |
| 31 | 84-21-0020 | 2 | CHAIN TENSIONER BUSHING |
| 32 | 81-55-0005 | 1 | CHAIN TENSIONER SPROCKET |
| 33 | NC02-07-0020 | 2 | HEX. NUT ZINC 1/2-13 |
| 34 | NC01-25-0563 | 1 | HEX. BOLT GR5 1/2-13 X 4 1/2" FULL THREAD |
| 35 | NC01-96-0014 | 1 | NYLON-INSERT LOCKNUT ZINC 1/2-13 |

84-55-1325

| # | PART # | Qty | TITLE |
|----|--------------|-----|---|
| 36 | 84-21-0015 | 2 | CHAIN TENSIONER BUSHING |
| 37 | 81-55-0005 | 1 | CHAIN TENSIONER SPROCKET |
| 38 | NC02-07-0020 | 2 | HEX. NUT ZINC 1/2-13 |
| 39 | NC01-25-0563 | 1 | HEX. BOLT GR5 1/2-13 X 4 1/2" FULL THREAD |
| 40 | NC01-96-0014 | 1 | NYLON-INSERT LOCKNUT ZINC 1/2-13 |
| 41 | 84-50-0487 | 1 | CHAIN TENSIONER |

84-57-0360

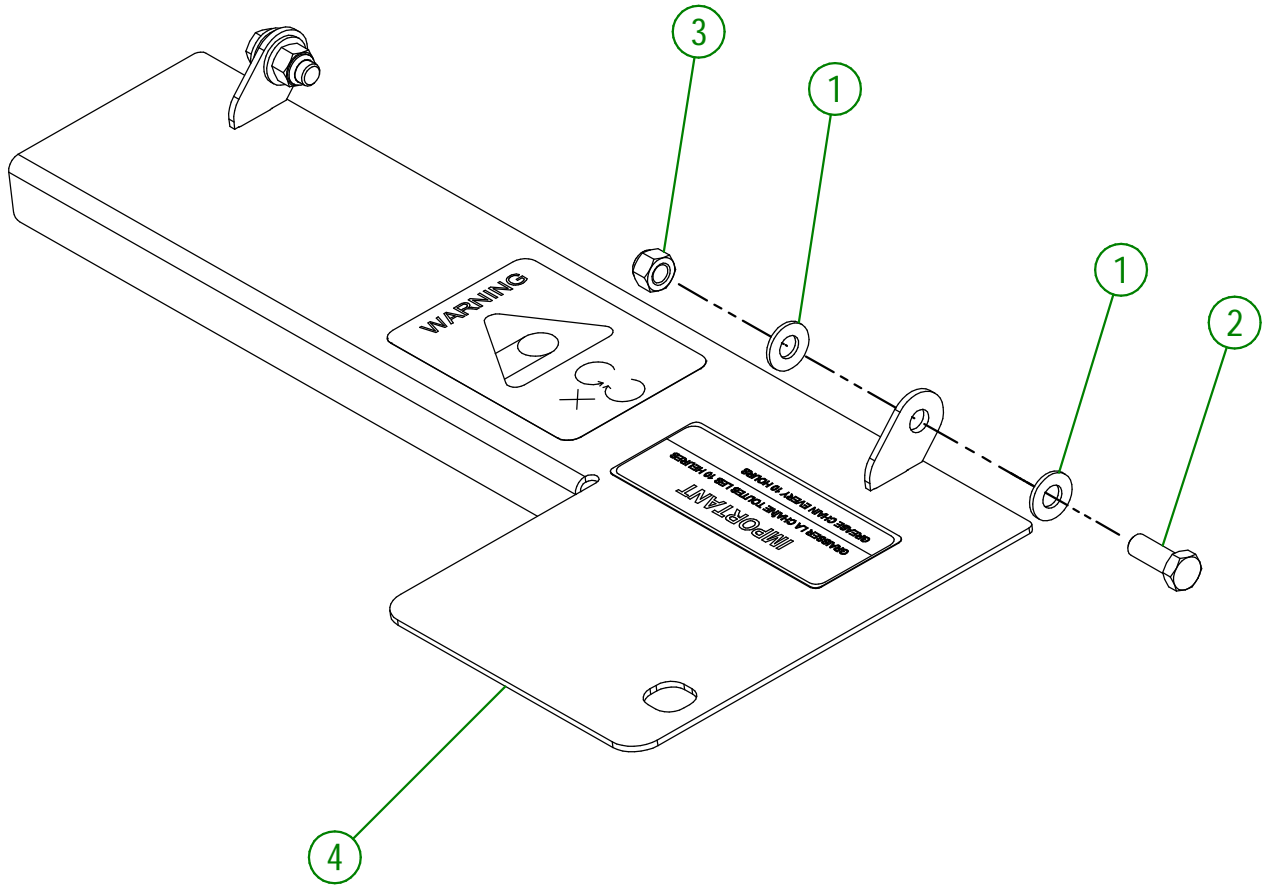
| # | PART # | Qty | TITLE |
|---|--------------|-----|--|
| 1 | 84-01-0150 | 1 | CHAIN GUARD |
| 2 | NC01-17-0115 | 7 | HEX. BOLT GR2 ZINC 3/8-16 X 1 1/4" |
| 3 | 84-50-0490 | 1 | CHAIN GUARD HOLDER |
| 4 | 01-01-2485 | 11 | FLAT WASHER 14 GA X 13/16"OD X 25/64" ID |
| 5 | NC02-32-0012 | 7 | LOCK WASHER ZINC 3/8" |
| 6 | NC02-07-0018 | 6 | HEX. NUT ZINC 3/8-16 |



| | |
|---------------------------------|------------------------------|
| AGRIMETAL | |
| SPIRAL CHAIN GUARD GROUP | |
| CREATION : 31/03/22 | ASSEMBLY : 84-57-0360 |
| REVISION : 31/03/22 | AUTHOR : J. Houle |

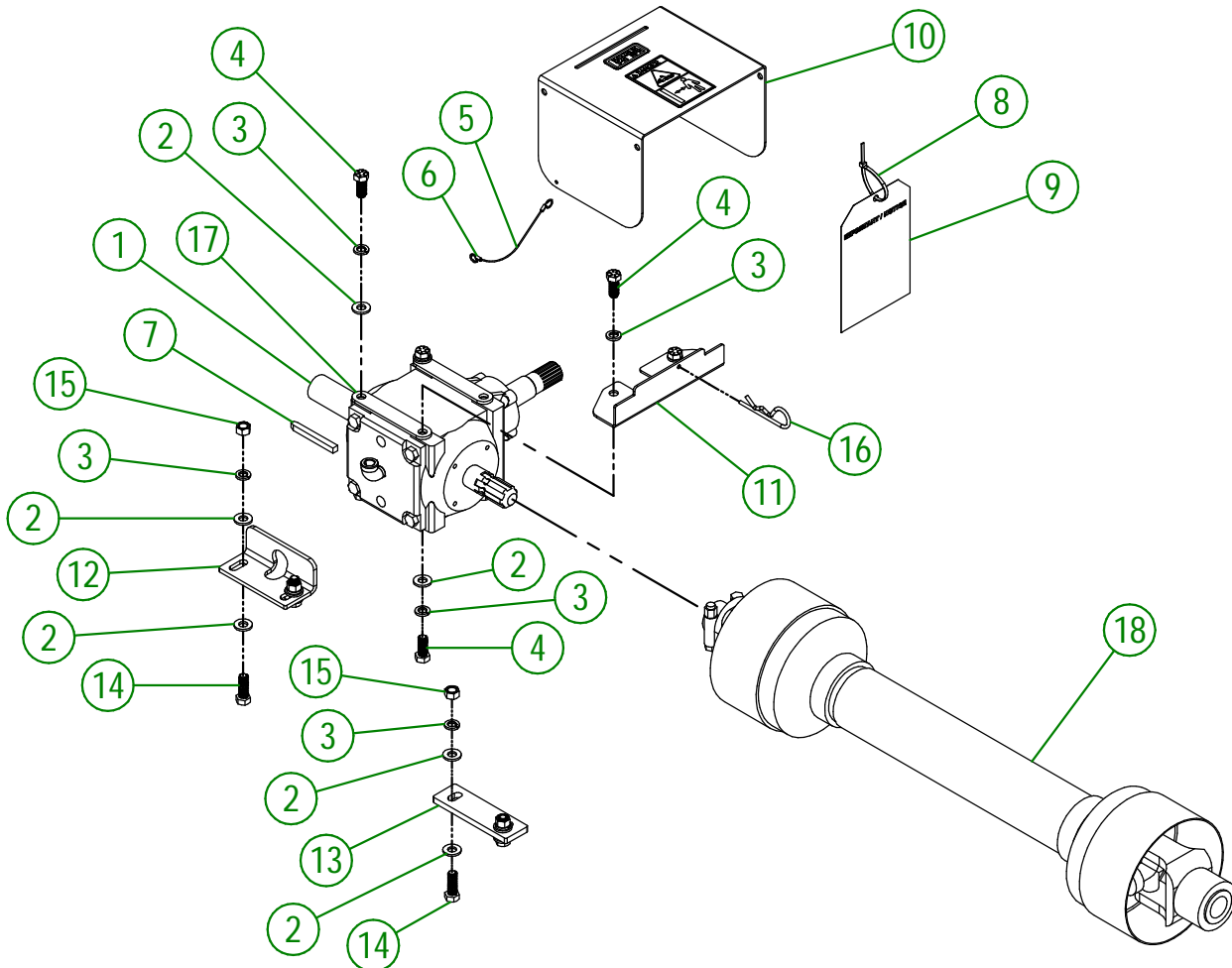
84-57-0725

| # | PART # | Qty | TITLE |
|---|--------------|-----|-------------------------------------|
| 1 | NC02-26-1525 | 4 | WASHER INOX .406" D.I. X .815" D.E. |
| 2 | NC01-17-0114 | 2 | HEX. BOLT GR2 ZINC 3/8-16 X 1" |
| 3 | NC01-96-0011 | 2 | NYLON NUT 3/8-16 |
| 4 | 84-57-0720 | 1 | CHAIN GUARD |



| | |
|--------------------------|------------------------------|
| AGRIMETAL | |
| CHAIN GUARD GROUP | |
| CREATION : 31/03/22 | ASSEMBLY : 84-57-0725 |
| REVISION : 23/12/25 | AUTHOR : J. Houle |

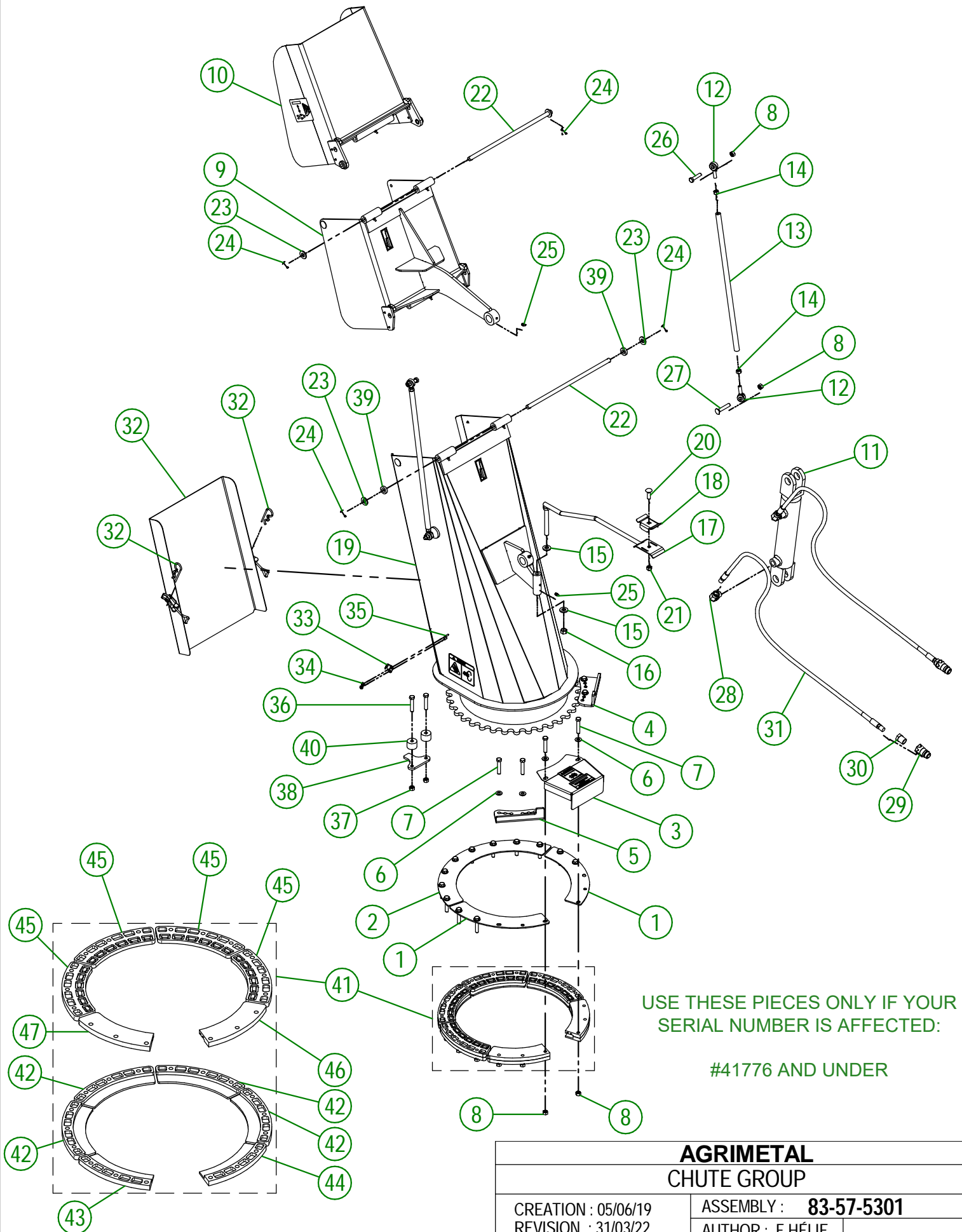
| # | PART # | Qty | TITLE |
|----|--------------|-----|--|
| 1 | 84-55-0010 | 1 | GEARBOX |
| 2 | NC02-25-0011 | 14 | WASHER SAE ZINC 17/32 ID |
| 3 | NC02-32-0014 | 12 | LOCK WASHER ZINC 1/2" |
| 4 | NC01-33-0248 | 8 | HEX. BOLT .GR8 NC ZINC 1/2-13 X 1 1/4" |
| 5 | 80-41-0135 | 1 | PTO GUARD STEEL CABLE |
| 6 | NC01-64-0005 | 2 | OVAL SLEEVE (ALUMINUM) |
| 7 | 80-41-0900 | 1 | IMPELLER KEY |
| 8 | NC13-25-0019 | 1 | BLACK TIE RAP |
| 9 | NC13-50-0110 | 1 | IMPORTANT/NOTICE PTO POSTER |
| 10 | 81-57-0040 | 1 | PTO GUARD |
| 11 | 84-01-0095 | 1 | PTO GUARD SUPPORT |
| 12 | 80-04-0485 | 1 | GEARBOX BRACE |
| 13 | 80-04-0480 | 1 | GEARBOX BRACE |
| 14 | NC01-33-0249 | 4 | CAP SCREW GR8 NC ZINC 1/2-13 X 1 1/2" LG |
| 15 | NC02-07-0020 | 4 | HEX. NUT ZINC 1/2-13 |
| 16 | NC01-63-0027 | 1 | HAIRPIN COTTER |
| 17 | 84-04-0660 | 2 | GEARBOX SPACER |
| 18 | 81-34-0035 | 1 | PTO SHAFT T80 |



AGRIMETAL
GEARBOX GROUPING

CREATION : 31/03/22
REVISION : 31/03/22

ASSEMBLY : **84-57-0280**
AUTHOR : J. Houle



USE THESE PIECES ONLY IF YOUR SERIAL NUMBER IS AFFECTED:

#41776 AND UNDER

AGRIMETAL
CHUTE GROUP

CREATION : 05/06/19
REVISION : 31/03/22

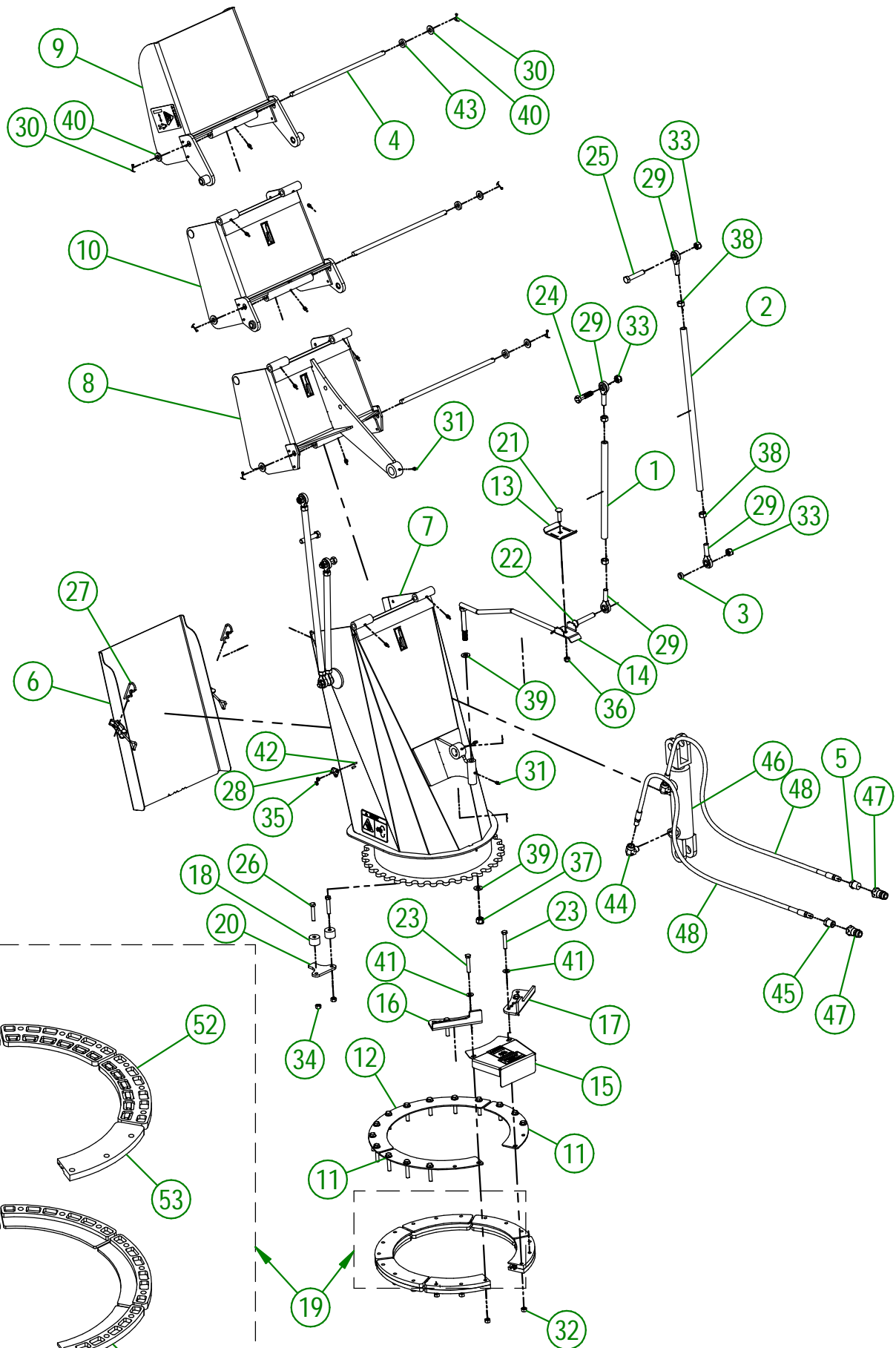
ASSEMBLY : **83-57-5301**
AUTHOR : F.HÉLIE

83-57-5301

| # | PART # | Qty | TITLE |
|----|--------------|-----|---|
| 1 | 48-01-1165 | 2 | BRACE |
| 2 | 48-01-1167 | 1 | BRACE |
| 3 | 80-57-0550 | 1 | SPROCKET GUARD GROUP "STICKER INCLUDED" |
| 4 | 81-04-0177 | 1 | ADJUSTABLE STOPPER |
| 5 | 81-04-0175 | 1 | ADJUSTABLE STOPPER |
| 6 | 01-01-2485 | 18 | FLAT WASHER 14 GA X 13/16"OD X 25/64" ID |
| 7 | NC01-17-0118 | 18 | HEX. BOLT GR2 ZINC 3/8-16 X 2" |
| 8 | NC01-93-0011 | 22 | LOCK NUT 3/8-16 |
| 9 | 83-57-5310 | 1 | CHUTE (MIDDLE SECTION) |
| 10 | 83-57-5315 | 1 | CHUTE (TOP SECTION) |
| 11 | NC13-45-0209 | 1 | HYDRAULIC CYLINDER 6" |
| 12 | NC01-67-0304 | 4 | ROD END 3/8-24 |
| 13 | 48-13-0600 | 2 | CHUTE ROD (DOUBLE) |
| 14 | NC02-10-0018 | 4 | NUT 3/8-24 |
| 15 | 01-01-0925 | 2 | WASHER |
| 16 | NC01-96-0014 | 1 | NYLON-INSERT LOCKNUT ZINC 1/2-13 |
| 17 | 48-50-1030 | 1 | HYDRAULIC HOSE SUPPORT |
| 18 | 48-01-7530 | 1 | HYDRAULIC HOSE SUPPORT |
| 19 | 83-57-5305 | 1 | CHUTE (BOTTOM SECTION) |
| 20 | NC01-04-0110 | 1 | CARR. BOLT GR2 ZINC 3/8-16 X 1 1/4" |
| 21 | NC01-96-0011 | 1 | NYLON NUT 3/8-16 |
| 22 | 83-20-0050 | 2 | PIVOT |
| 23 | NC02-25-0011 | 4 | WASHER SAE ZINC 17/32 ID |
| 24 | NC01-69-0139 | 4 | COTTER PIN ZINC 1/8" X 3/4" |
| 25 | NC01-69-0785 | 9 | STRAIGHT GREASE FITTING 1/4-28 |
| 26 | NC01-25-0116 | 2 | HEX. BOLT GR5 ZINC 3/8-16 X 1 1/2" |
| 27 | NC01-07-0113 | 2 | CARR. BOLT GR5 ZINC 3/8-16 X 2" LG |
| 28 | NC13-45-0038 | 2 | ELBOW 90 3/8 FEM. NPT X 3/8 MALE NPT |
| 29 | NC13-45-0369 | 2 | QUICK COUPLER 1/2-14 NPTF |
| 30 | NC13-45-0153 | 2 | HEX. REDUCER 1/4 NPT X 1/2 NPT |
| 31 | NC17-02-0347 | 2 | HYDRAULIC HOSE (111" LG) |
| 32 | 83-57-5350 | 1 | CHUTE DOOR |
| 33 | NC01-63-0052 | 2 | ADJUSTABLE LATCH (STRIKE) |
| 34 | NC01-96-0006 | 4 | NYLON NUT ZINC 3/16 |
| 35 | NC02-40-0080 | 4 | MACHINE SCREWS SQUARE SOCKET #10-24 X 1/2" LG |
| 36 | NC01-37-0118 | 2 | HEX. BOLT GR8 ZINC 3/8-24 X 2" |
| 37 | NC01-94-0011 | 2 | LOCK NUT 3/8-24 |
| 38 | 84-04-0170 | 1 | STOPPER |
| 39 | NC13-15-0334 | 2 | PIVOT WASHER |
| 40 | 81-21-0040 | 2 | ADJUSTABLE STOPPER SPACER |
| 41 | 81-57-0550 | 1 | CHUTE GUIDE GROUP |

81-57-0550

| # | PART # | Qty | TITLE |
|----|--------------|-----|---------------------|
| 42 | NC17-46-0025 | 4 | CHUTE GUIDE (UNDER) |
| 43 | 48-42-0305 | 1 | CHUTE GUIDE (UNDER) |
| 44 | 48-42-0310 | 1 | CHUTE GUIDE (UNDER) |
| 45 | NC17-46-0026 | 4 | CHUTE GUIDE (TOP) |
| 46 | 48-42-0320 | 1 | CHUTE GUIDE (TOP) |
| 47 | 48-42-0315 | 1 | CHUTE GUIDE (TOP) |



AGRIMETAL
CHUTE GROUP

CREATION : 19/09/23
 REVISION : 12/03/26

ASSEMBLY : **103-57-0016**
 AUTHOR : D. CHASSÉ

103-57-0016

| # | PART # | Qty | TITLE |
|----|--------------|-----|---|
| 1 | 103-13-0000 | 2 | CHUTE ROD (TRIPLE) |
| 2 | 103-13-0005 | 2 | CHUTE ROD (TRIPLE) |
| 3 | 103-13-0025 | 2 | CHUTE ROD SPACER |
| 4 | 103-20-0010 | 3 | PIVOT |
| 5 | 103-25-0000 | 1 | 1/2 NPT STRAIGHT UNION X 3/64" |
| 6 | 103-57-0041 | 1 | CHUTE DOOR |
| 7 | 103-57-0051 | 1 | CHUTE BASE |
| 8 | 103-57-0056 | 1 | FIRST SECTION "STICKERS INCL." |
| 9 | 103-57-0061 | 1 | THIRD SECTION "STICKERS INCL." |
| 10 | 103-57-0215 | 1 | SECOND SECTION "STICKERS INCL" |
| 11 | 48-01-1165 | 2 | BRACE |
| 12 | 48-01-1167 | 1 | BRACE |
| 13 | 48-01-7531 | 1 | HYDRAULIC HOSE SUPPORT |
| 14 | 48-50-1031 | 1 | HYDRAULIC HOSE SUPPORT |
| 15 | 80-57-0550 | 1 | SPROCKET GUARD GROUP "STICKER INCLUDED" |
| 16 | 81-04-0175 | 1 | ADJUSTABLE STOPPER |
| 17 | 81-04-0177 | 1 | ADJUSTABLE STOPPER |
| 18 | 81-21-0040 | 2 | ADJUSTABLE STOPPER SPACER |
| 19 | 81-57-0550 | 1 | CHUTE GUIDE GROUP |
| 20 | 84-04-0170 | 1 | STOPPER |
| 21 | NC01-07-0111 | 1 | CARR. BOLT GR5 ZINC 3/8-16 X 1 1/2" |
| 22 | NC01-07-0241 | 2 | CARR. BOLT GR5 ZINC 1/2-13 X 3" LG |
| 23 | NC01-17-0118 | 18 | HEX. BOLT GR2 ZINC 3/8-16 X 2" |
| 24 | NC01-25-0251 | 2 | HEX.BOLT GR5 NC ZINC 1/2-13 X 2" |
| 25 | NC01-25-0253 | 2 | HEX. BOLT GR5 NC ZINC 1/2-13 X 2 1/2" |
| 26 | NC01-37-0118 | 2 | HEX. BOLT GR8 ZINC 3/8-24 X 2" |
| 27 | NC01-63-0026 | 2 | COTTER PIN ZC 5/32" X 3" |
| 28 | NC01-63-0052 | 2 | ADJUSTABLE LATCH (STRIKE) |
| 29 | NC01-67-0306 | 8 | 1/2-20 ROD END |
| 30 | NC01-69-0139 | 6 | COTTER PIN ZINC 1/8" X 3/4" |
| 31 | NC01-69-0785 | 12 | STRAIGHT GREASE FITTING 1/4-28 |
| 32 | NC01-93-0011 | 18 | LOCK NUT 3/8-16 |
| 33 | NC01-93-0014 | 6 | LOCK NUT ZINC 1/2-13 |
| 34 | NC01-94-0011 | 2 | LOCK NUT 3/8-24 |
| 35 | NC01-96-0006 | 4 | NYLON NUT ZINC 3/16 |
| 36 | NC01-96-0011 | 1 | NYLON NUT 3/8-16 |
| 37 | NC01-96-0014 | 1 | NYLON-INSERT LOCKNUT ZINC 1/2-13 |
| 38 | NC02-10-0020 | 8 | HEX. NUT ZINC 1/2-20 |
| 39 | NC02-25-0011 | 2 | WASHER SAE ZINC 17/32 ID |
| 40 | NC02-25-0011 | 6 | WASHER SAE ZINC 17/32 ID |
| 41 | NC02-26-1525 | 18 | WASHER INOX .406" D.I. X .815" D.E. |
| 42 | NC02-40-0080 | 4 | MACHINE SCREWS SQUARE SOCKET #10-24 X 1/2" LG |
| 43 | NC13-15-0334 | 6 | PIVOT WASHER |
| 44 | NC13-45-0038 | 2 | ELBOW 90 3/8 FEM. NPT X 3/8 MALE NPT |
| 45 | NC13-45-0153 | 1 | HEX. REDUCER 1/4 NPT X 1/2 NPT |
| 46 | NC13-45-0217 | 1 | HYDRAULIC CYLINDER 4" STROKE |

103-57-0016

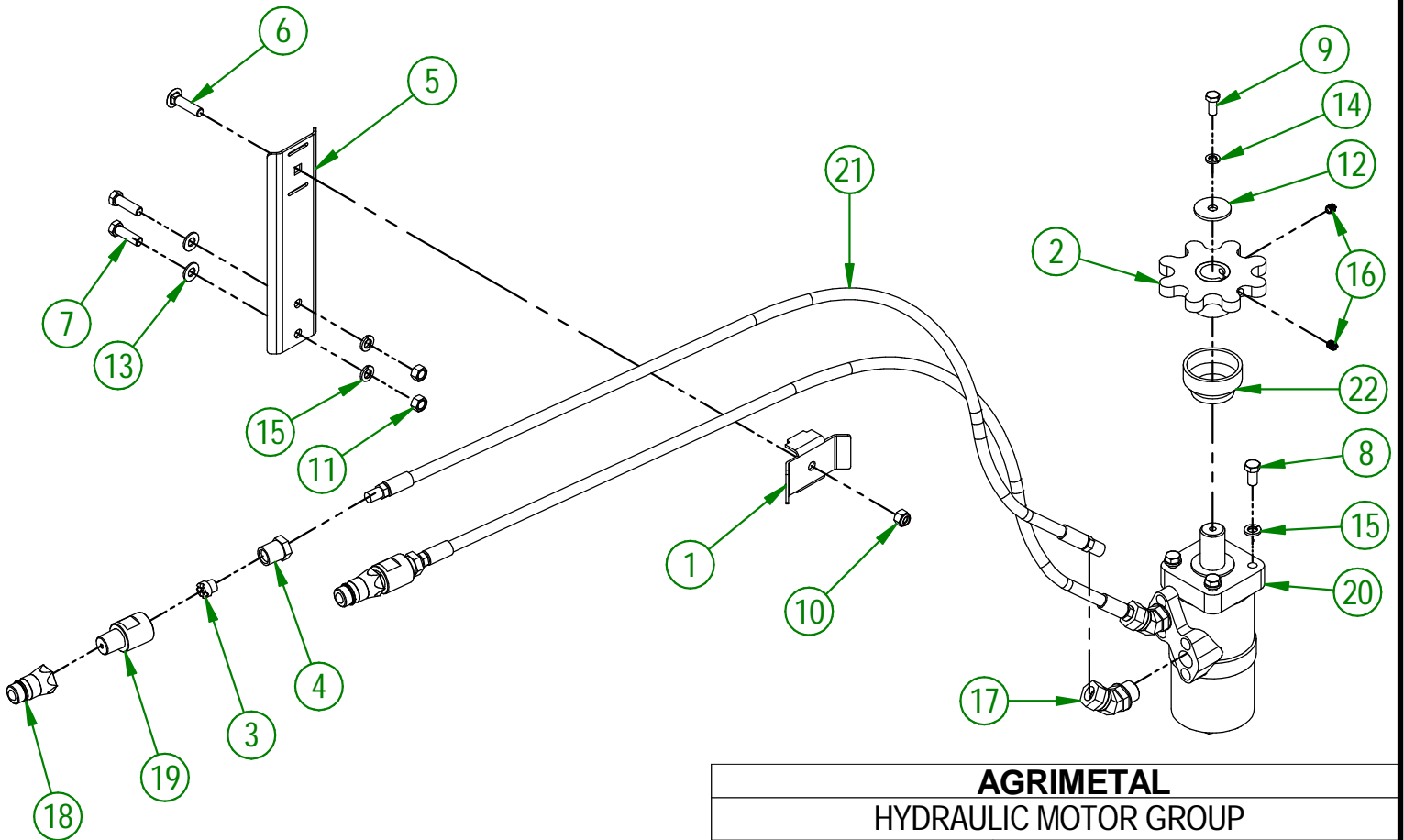
| # | PART # | Qty | TITLE |
|----|--------------|-----|---------------------------|
| 47 | NC13-45-0369 | 2 | QUICK COUPLER 1/2-14 NPTF |
| 48 | NC17-02-0347 | 2 | HYDRAULIC HOSE (111" LG) |

81-57-0550

| # | PART # | Qty | TITLE |
|----|--------------|-----|---------------------|
| 49 | NC17-46-0025 | 4 | CHUTE GUIDE (UNDER) |
| 50 | 48-42-0305 | 1 | CHUTE GUIDE (UNDER) |
| 51 | 48-42-0310 | 1 | CHUTE GUIDE (UNDER) |
| 52 | NC17-46-0026 | 4 | CHUTE GUIDE (TOP) |
| 53 | 48-42-0320 | 1 | CHUTE GUIDE (TOP) |
| 54 | 48-42-0315 | 1 | CHUTE GUIDE (TOP) |

84-57-0410

| # | PART # | Qty | TITLE |
|----|--------------|-----|--|
| 1 | 48-01-7527 | 1 | HYDRAULIC HOSE SUPPORT |
| 2 | 48-50-1025 | 1 | HYDRAULIC ENGINE SPROCKET |
| 3 | 80-13-0100 | 2 | HYDRAULIC RESTRICTOR |
| 4 | 80-45-0000 | 2 | HEX. REDUCER 1/4 NPT X 1/2 NPT |
| 5 | 81-01-7600 | 1 | HYDRAULIC HOSE SUPPORT |
| 6 | NC01-07-0111 | 1 | CARR. BOLT GR5 ZINC 3/8-16 X 1 1/2" |
| 7 | NC01-17-0115 | 2 | HEX. BOLT GR2 ZINC 3/8-16 X 1 1/4" |
| 8 | NC01-33-0113 | 4 | HEX.BOLT GR8 ZINC 3/8-16 X 3/4" |
| 9 | NC01-45-0184 | 1 | HEX. BOLT GR8.8 ZINC 8MM X 20MM |
| 10 | NC01-96-0011 | 1 | NYLON NUT 3/8-16 |
| 11 | NC02-07-0018 | 2 | HEX. NUT ZINC 3/8-16 |
| 12 | NC02-26-0504 | 1 | WASHER |
| 13 | NC02-26-1525 | 2 | WASHER INOX .406" D.I. X .815" D.E. |
| 14 | NC02-32-0011 | 1 | LOCK WASHER ZINC 5/16" |
| 15 | NC02-32-0012 | 6 | LOCK WASHER ZINC 3/8" |
| 16 | NC02-44-0103 | 2 | SET SCREW 5/16-18 X 3/8" |
| 17 | NC13-45-0367 | 2 | 45°-7/8-14 MALE O RING X 1/2 FEM.TOUR.NPT PT |
| 18 | NC13-45-0369 | 2 | QUICK COUPLER 1/2-14 NPTF |
| 19 | NC13-45-0378 | 2 | HYDRAULIC RESTRICTOR BUSHING |
| 20 | NC14-45-0156 | 1 | HYDRAULIC MOTOR |
| 21 | NC17-02-0328 | 2 | HYDRAULIC HOSE (63" LG) |
| 22 | NC17-46-0031 | 1 | HYDRAULIC MOTOR BUSHING |



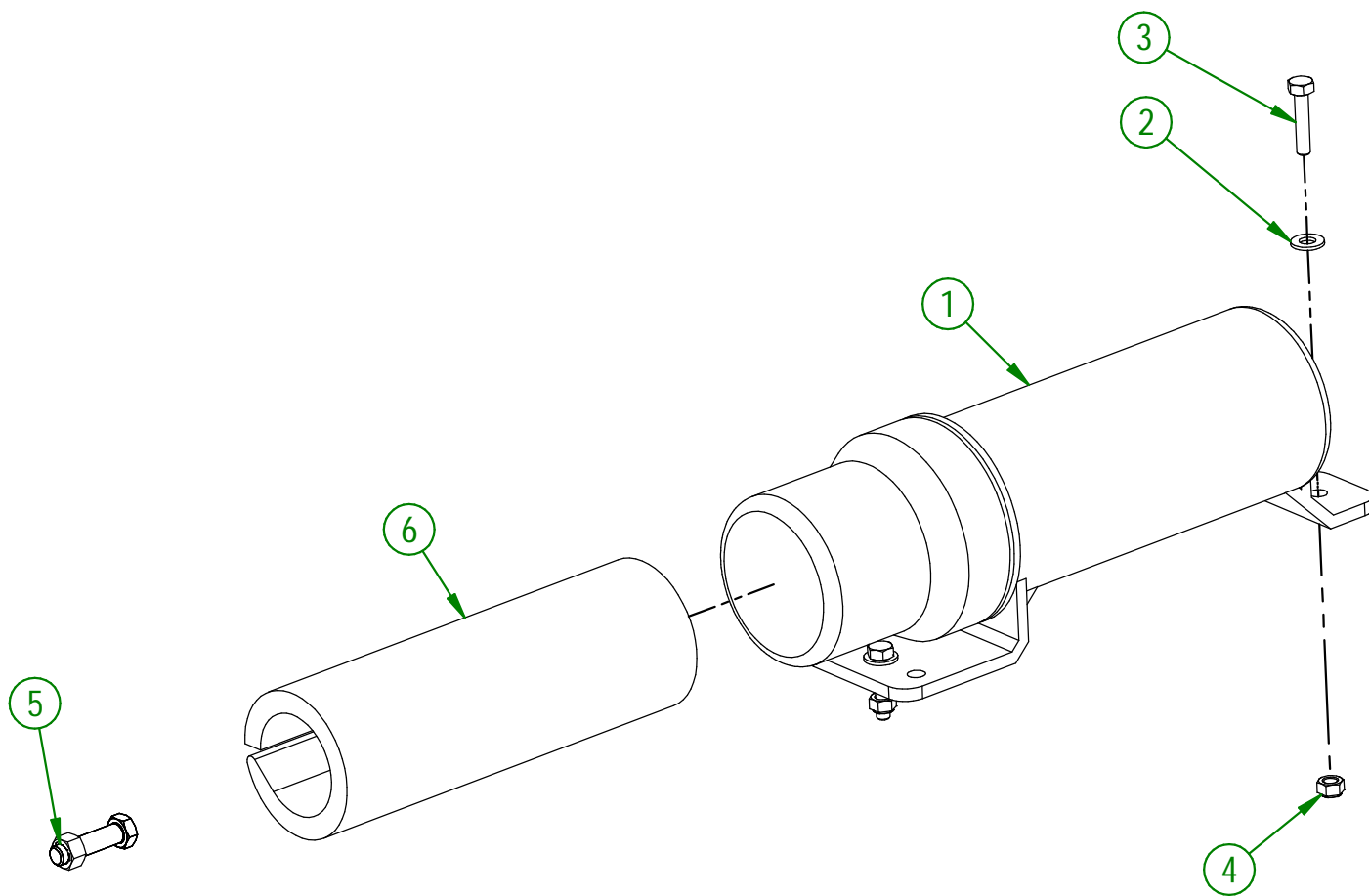
AGRIMETAL

HYDRAULIC MOTOR GROUP

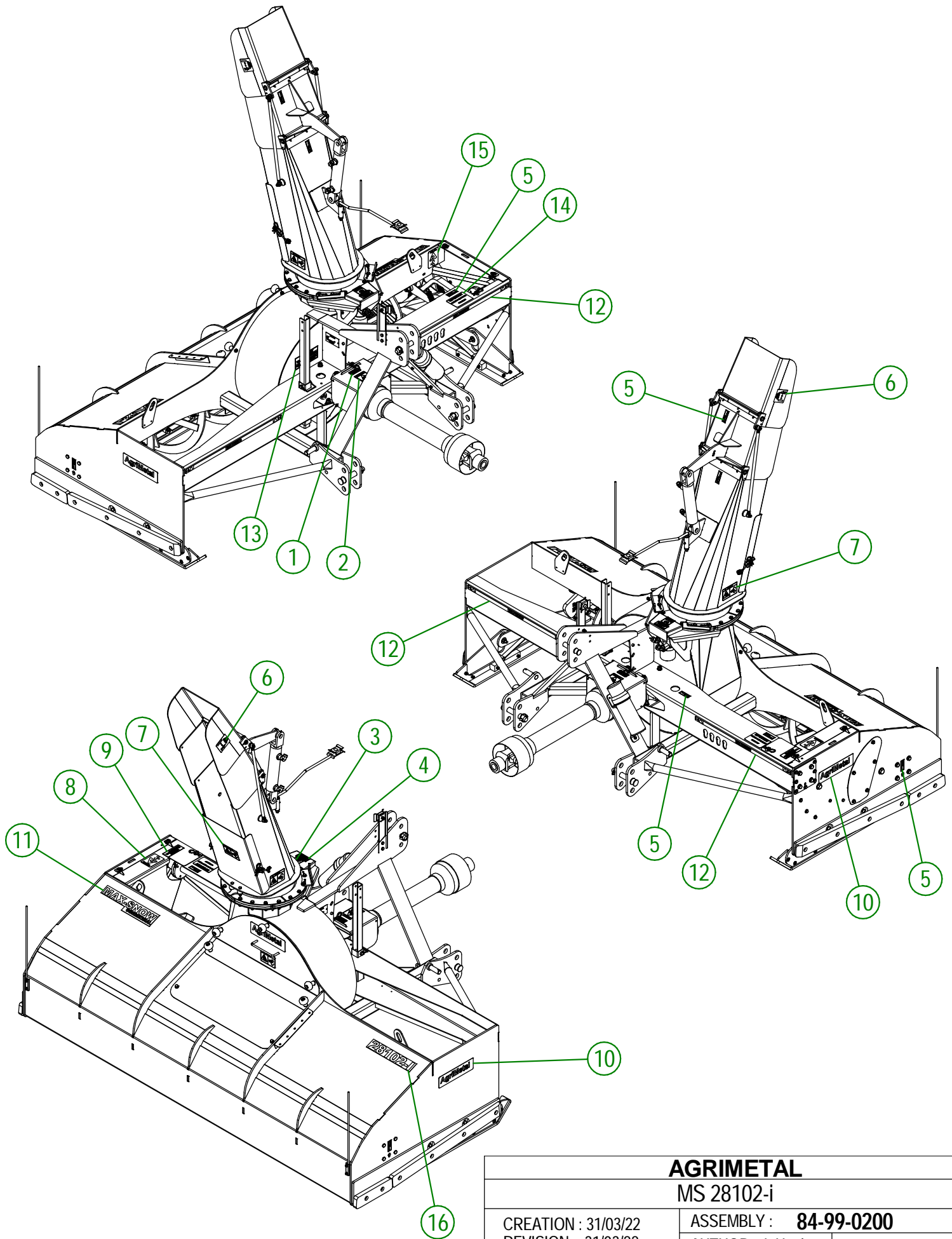
CREATION : 05/08/19
REVISION : 25/03/26

ASSEMBLY : **84-57-0410**
AUTHOR : F.HÉLIE

| # | PART # | Qty | TITLE |
|---|--------------|-----|--|
| 1 | NC13-30-0237 | 1 | PLASTIC TUBE FOR OPERATOR'S MANUAL |
| 2 | NC02-22-0008 | 2 | WASHER ZINC 5/16" |
| 3 | NC01-17-0007 | 2 | HEX. BOLT GR2 ZINC 1/4-20 X 1 1/4" |
| 4 | NC01-96-0009 | 2 | NYLON-INSERT LOCKNUT ZINC 1/4-20 |
| 5 | 81-57-0030 | 1 | SET OF 6 SHEAR BOLT WITH NUT |
| 6 | 84-98-0520 | 1 | ENGLISH OPERATOR'S MANUAL (MS2692-i, MS2482-i) |



| | |
|-------------------------------------|------------------------------|
| AGRIMETAL | |
| OPERATOR'S MANUAL TUBE GROUP | |
| CREATION : 03/01/18 | ASSEMBLY : 84-57-1320 |
| REVISION : 31/03/22 | AUTHOR : F.HÉLIE |



AGRIMETAL
MS 28102-i

CREATION : 31/03/22
REVISION : 31/03/22

ASSEMBLY : **84-99-0200**
AUTHOR : J. Houle

84-99-0200

| # | PART # | QTY | TITLE |
|----|--------------|-----|--|
| 1 | NC13-33-0005 | 1 | STICKER MAXIMUM 540 RPM |
| 2 | NC13-33-0187 | 1 | STICKER DANGER (PTO AND PERSON) |
| 3 | NC13-33-0326 | 1 | STICKER DANGER (HAND) |
| 4 | NC13-33-0327 | 1 | STICKER END ROTATION ADJUSTMENT |
| 5 | NC13-33-0024 | 6 | STICKER GREASE HERE |
| 6 | NC13-33-0192 | 2 | STICKER (PROJECTION RISK) |
| 7 | NC13-33-0249 | 4 | STICKER DANGER |
| 8 | NC13-33-0283 | 1 | STICKER DANGER (PERSON AND CHAIN DRIVE) |
| 9 | NC13-33-0343 | 1 | GREASE CHAIN EVERY 10 HOURS STICKER |
| 10 | NC13-33-0035 | 3 | STICKER AGRIMETAL |
| 11 | NC13-33-0241 | 1 | STICKER MAX-SNOW COMMERCIAL |
| 12 | NC13-33-0274 | 2 | STICKER DANGER |
| 13 | NC13-33-0317 | 1 | STICKER GREASE DRIVE LINE TELESCOPIC SHAFT |
| 14 | NC13-33-0281 | 1 | STICKER SHEAR BOLT |
| 15 | NC13-33-0189 | 1 | STICKER DANGER (PERSON AND CHAIN DRIVE) |
| 16 | NC13-33-2653 | 1 | STICKER 28102-i |