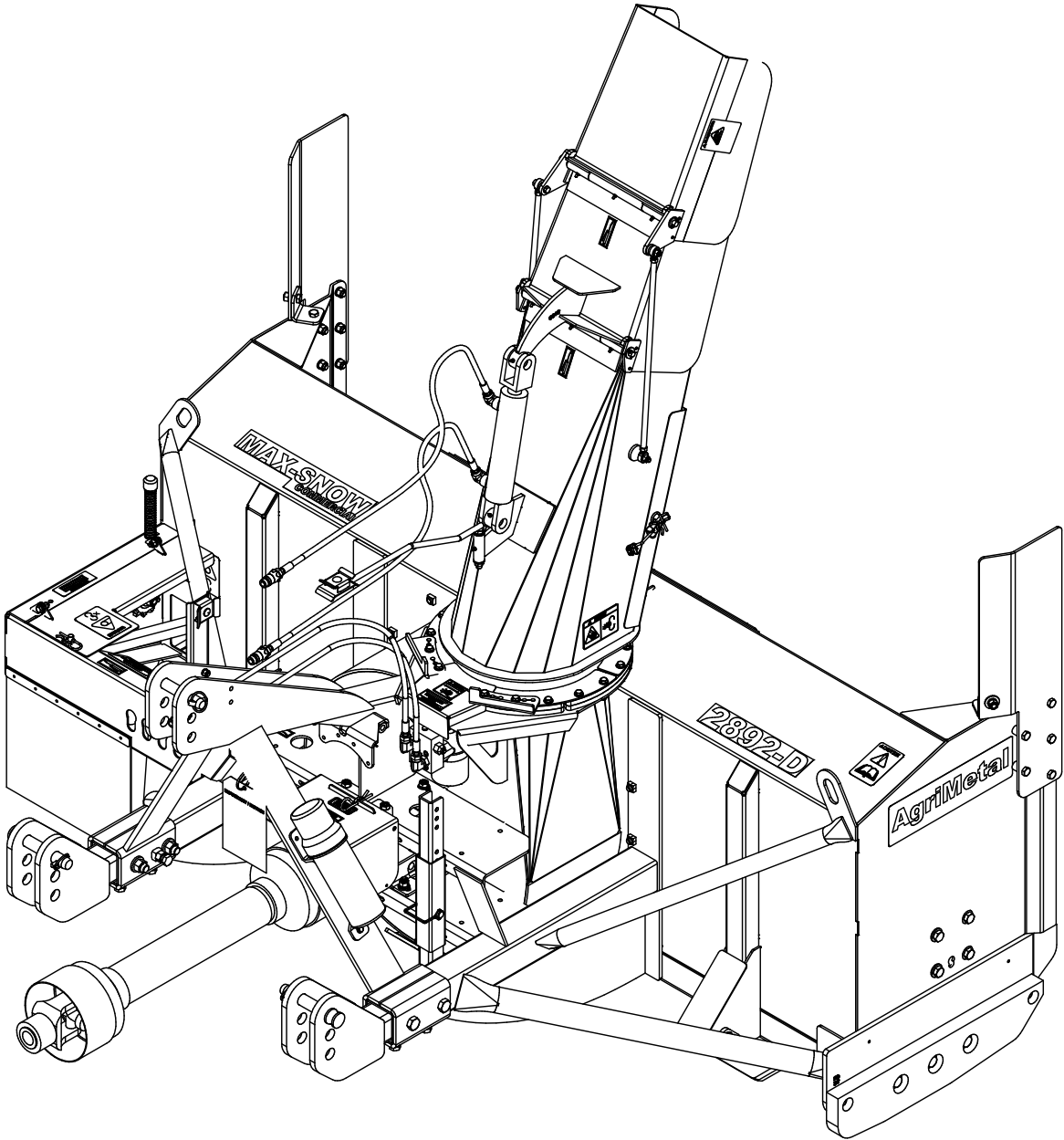


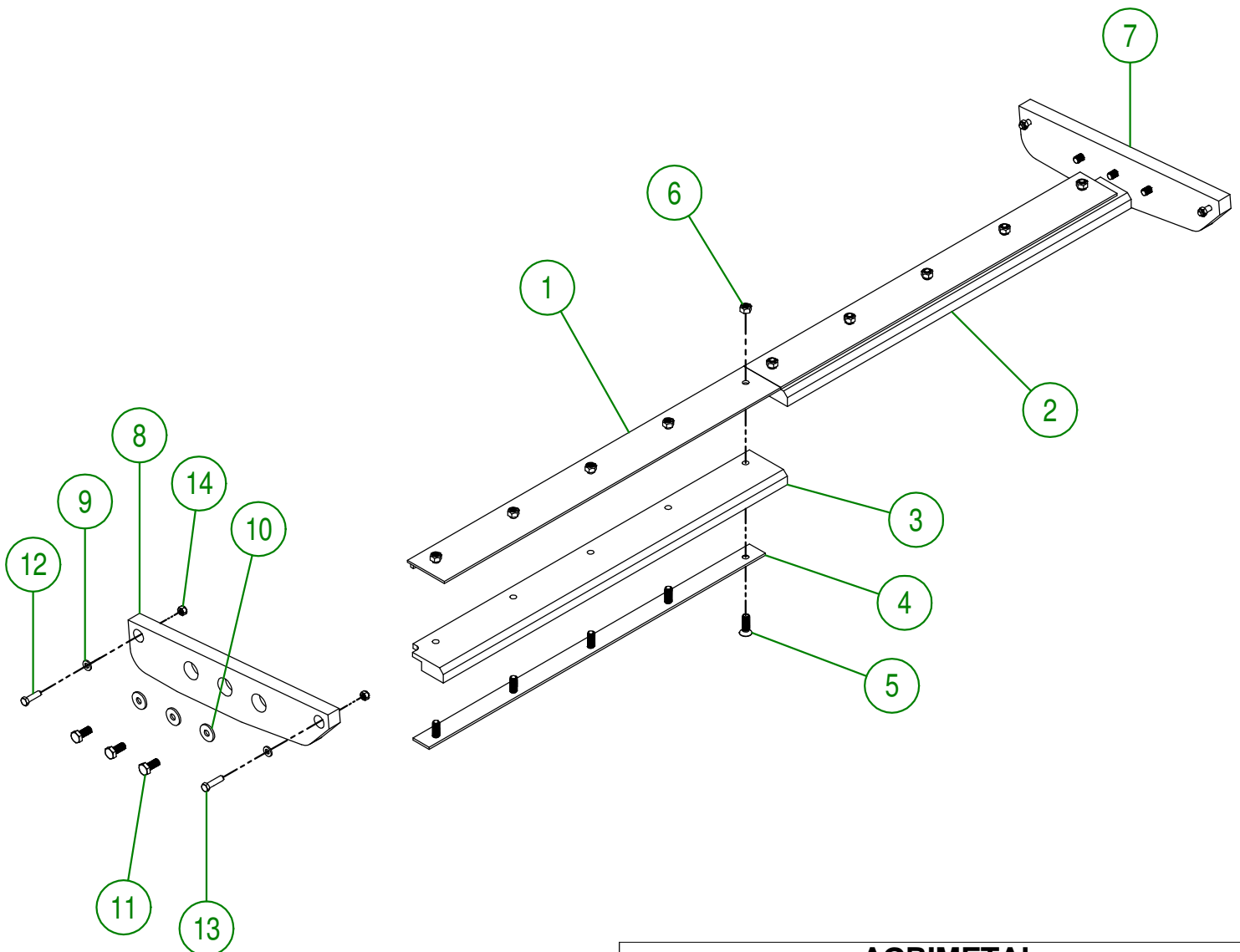
# AgriMetal

## PARTS LIST



**MS 2892-D**

| #  | PART #       | Qty | TITLE   |
|----|--------------|-----|---|
| 1  | 81-50-0700   | 2   | KNIFE BRACE (TOP)                                   |
| 2  | 81-42-0105   | 1   | RIGHT KNIFE (UHMW)                                  |
| 3  | 81-42-0106   | 1   | LEFT KNIFE (UHMW)                                   |
| 4  | 81-04-0350   | 2   | KNIFE BRACE (UNDER)                                 |
| 5  | NC02-48-0564 | 10  | FLAT HEAD SOCKET CAP SCREW STAINLESS 5/8-11 X 2" LG |
| 6  | NC01-93-0016 | 10  | LOCK NUT ZINC 5/8-11                                |
| 7  | 81-42-0103   | 1   | LATERAL KNIFE (RIGHT)                               |
| 8  | 81-42-0104   | 1   | LATERAL KNIFE (LEFT)                                |
| 9  | 01-01-0925   | 4   | WASHER  |
| 10 | 80-04-0185   | 6   | WASHER  |
| 11 | NC01-17-0394 | 6   | HEX. BOLT GR2 ZINC 5/8-11 X 1 1/2"                  |
| 12 | NC01-17-0250 | 2   | HEX. BOLT GR2 ZINC 1/2-13 X 1 3/4"                  |
| 13 | NC01-17-0251 | 2   | HEX. BOLT GR2 ZINC 1/2-13 X 2"                      |
| 14 | NC01-93-0014 | 4   | LOCK NUT ZINC 1/2-13                                |



**AGRIMETAL**  
SET OF KNIVES (UHMW)

CREATION : 19/07/16  
REVISION : 18/10/18

ASSEMBLY : **81-57-0705**

AUTHOR : J. HOULE

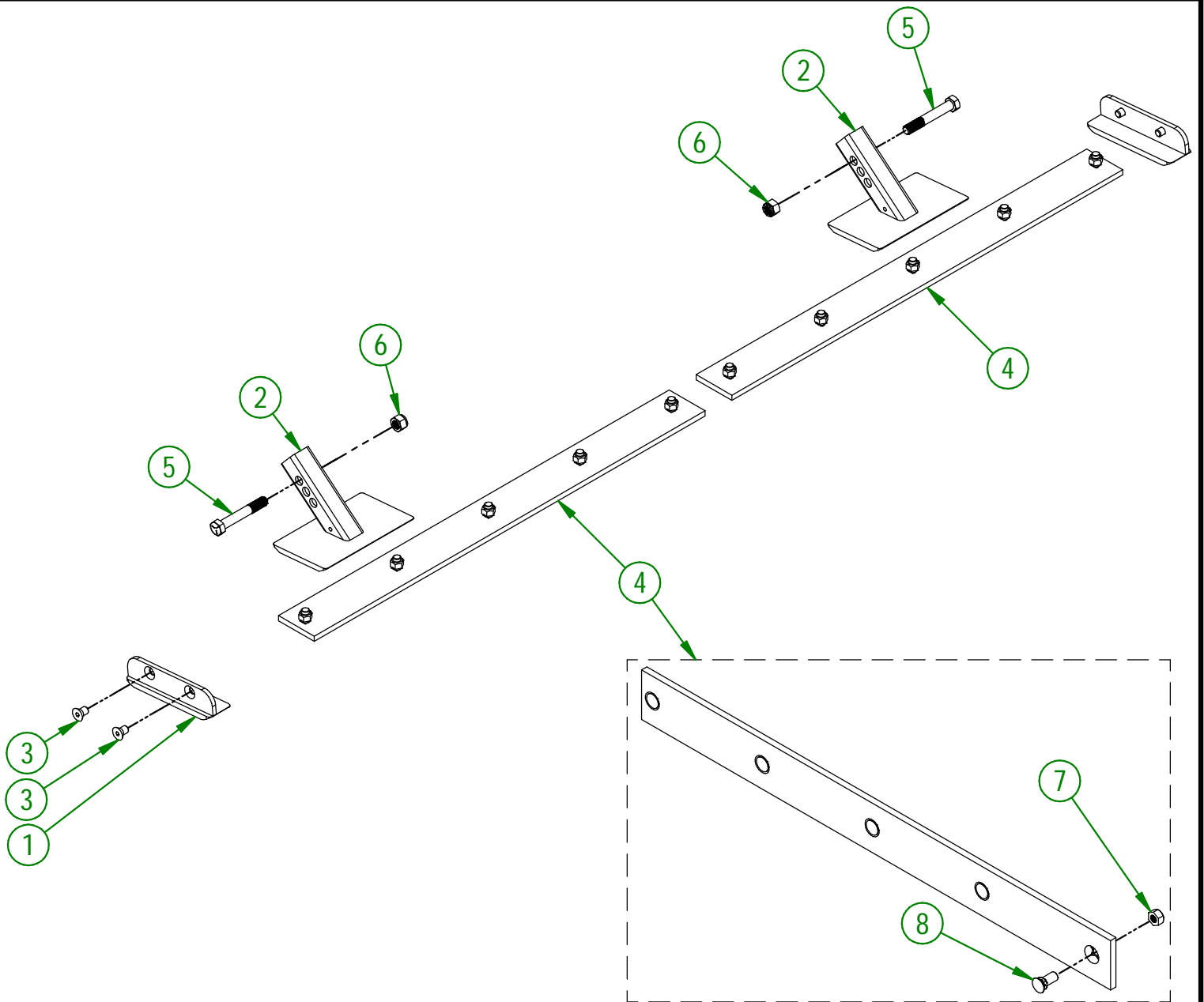
Page 1 de 22

81-57-0700

| # | PART #       | Qty | TITLE   |
|---|--------------|-----|---|
| 1 | 80-50-0085   | 2   | LATERAL SKATE (#450 HARDNESS STEEL)                         |
| 2 | 81-50-0055   | 2   | ADJUSTABLE SKATE (#450 HARDNESS STEEL)                      |
| 3 | NC02-48-0586 | 4   | FLAT HEAD SOCKET CAP SCREW 5/8-11 X 1" LG                   |
| 4 | 81-57-0230   | 2   | KNIFE (#450 HARDNESS STEEL) GROUP (BOLTS AND NUTS INCLUDED) |
| 5 | NC01-25-0481 | 2   | HEX. BOLT GR5 NC 3/4-10 X 5"                                |
| 6 | NC01-96-0017 | 2   | HEX. LOCK NUT NYLO. NC 3/4-10                               |

81-57-0230

| # | PART #       | Qty | TITLE                            |
|---|--------------|-----|----------------------------------|
| 7 | NC01-93-0016 | 5   | LOCK NUT ZINC 5/8-11             |
| 8 | NC01-09-0039 | 5   | PLOW BOLT GR5 5/8-11 X 1 1/2" LG |



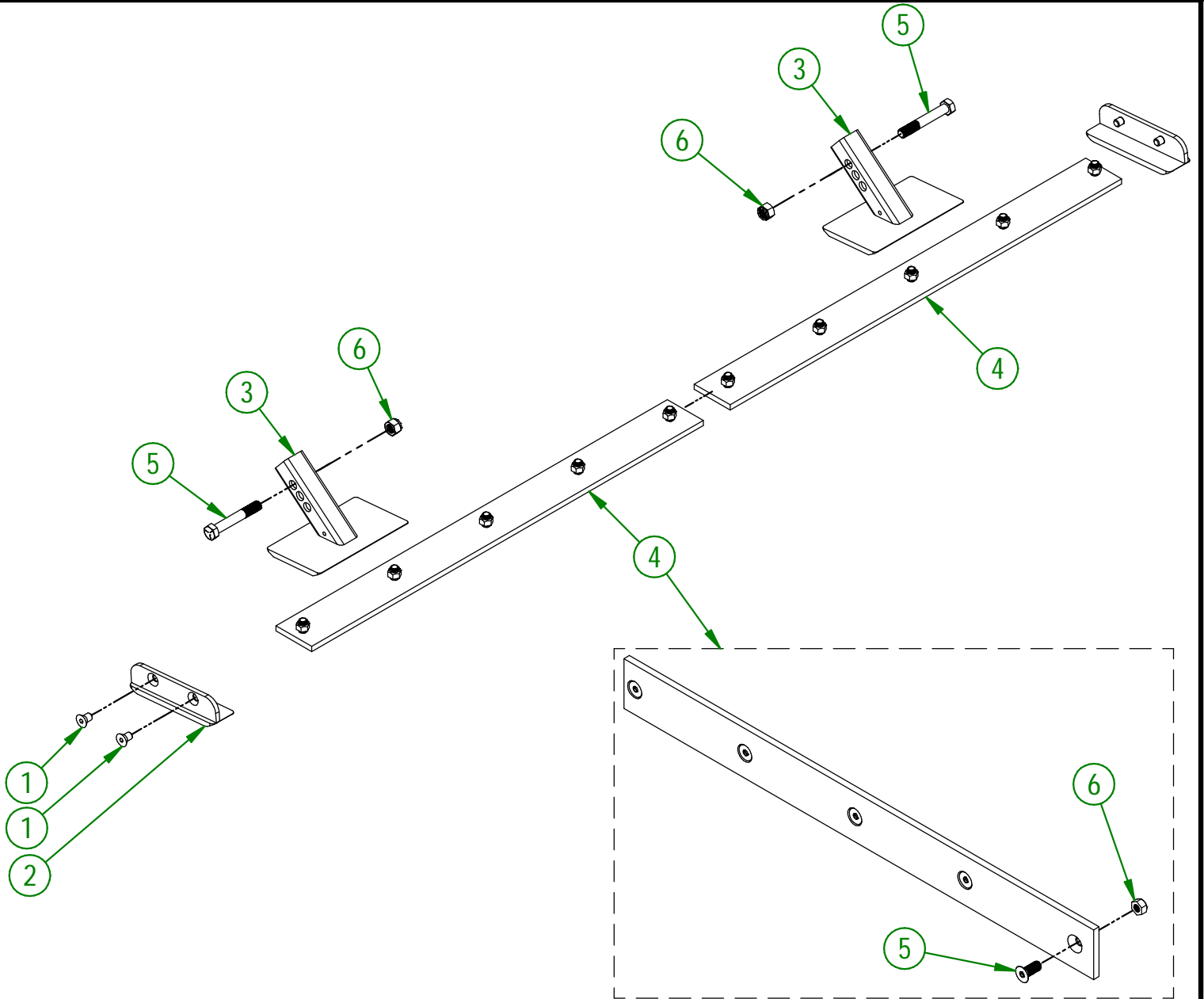
|  |                              |
|--|------------------------------|
| <b>AGRIMETAL</b>                           |                              |
| <b>SET OF KNIVES (#450 HARDNESS STEEL)</b> |                              |
| CREATION : 19/07/16                        | ASSEMBLY : <b>81-57-0700</b> |
| REVISION : 20/05/25                        | AUTHOR : Dessin2             |

81-57-0710

| # | PART #       | Qty | TITLE   |
|---|--------------|-----|---|
| 1 | NC02-48-0586 | 4   | FLAT HEAD SOCKET CAP SCREW 5/8-11 X 1" LG               |
| 2 | 80-50-0087   | 2   | LATERAL SKATE (STAINLESS STEEL)                         |
| 3 | 81-50-0058   | 2   | ADJUSTABLE SKATE (STAINLESS STEEL)                      |
| 4 | 81-57-0235   | 2   | KNIFE (STAINLESS STEEL) GROUP (BOLTS AND NUTS INCLUDED) |
| 5 | NC01-25-0481 | 2   | HEX. BOLT GR5 NC 3/4-10 X 5"                            |
| 6 | NC01-96-0017 | 2   | HEX. LOCK NUT NYLO. NC 3/4-10                           |

81-57-0235

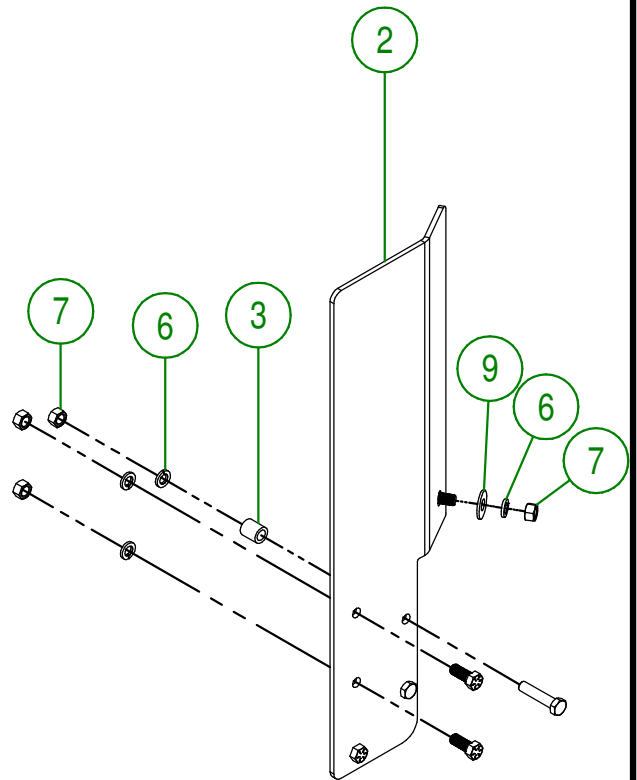
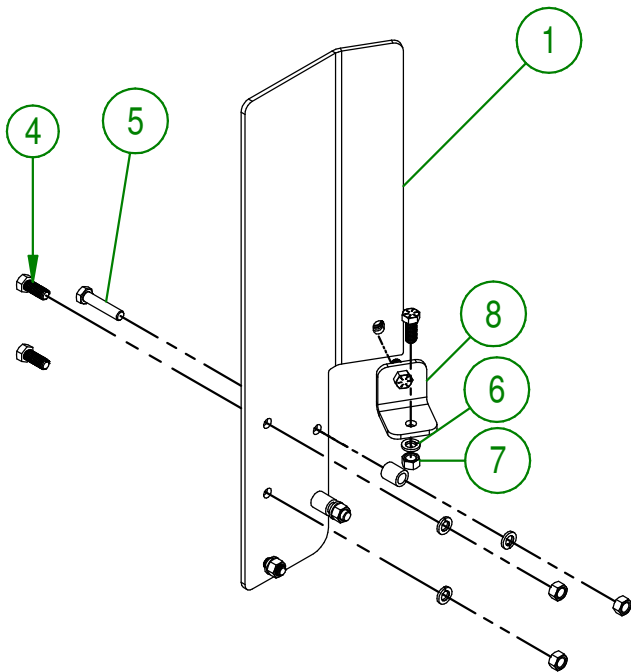
| # | PART #       | Qty | TITLE  |
|---|--------------|-----|--|
| 5 | NC02-48-0562 | 5   | FLAT HEAD SOCKET CAP SCREW STAINLESS 5/8-11 X 1 1/2" |
| 6 | NC01-93-0016 | 5   | LOCK NUT ZINC 5/8-11                                 |



|  |                              |
|--|------------------------------|
| <b>AGRIMETAL</b>                       |                              |
| <b>SET OF KNIVES (STAINLESS STEEL)</b> |                              |
| CREATION : 19/07/16                    | ASSEMBLY : <b>81-57-0710</b> |
| REVISION : 20/05/25                    | AUTHOR : Dessin2             |

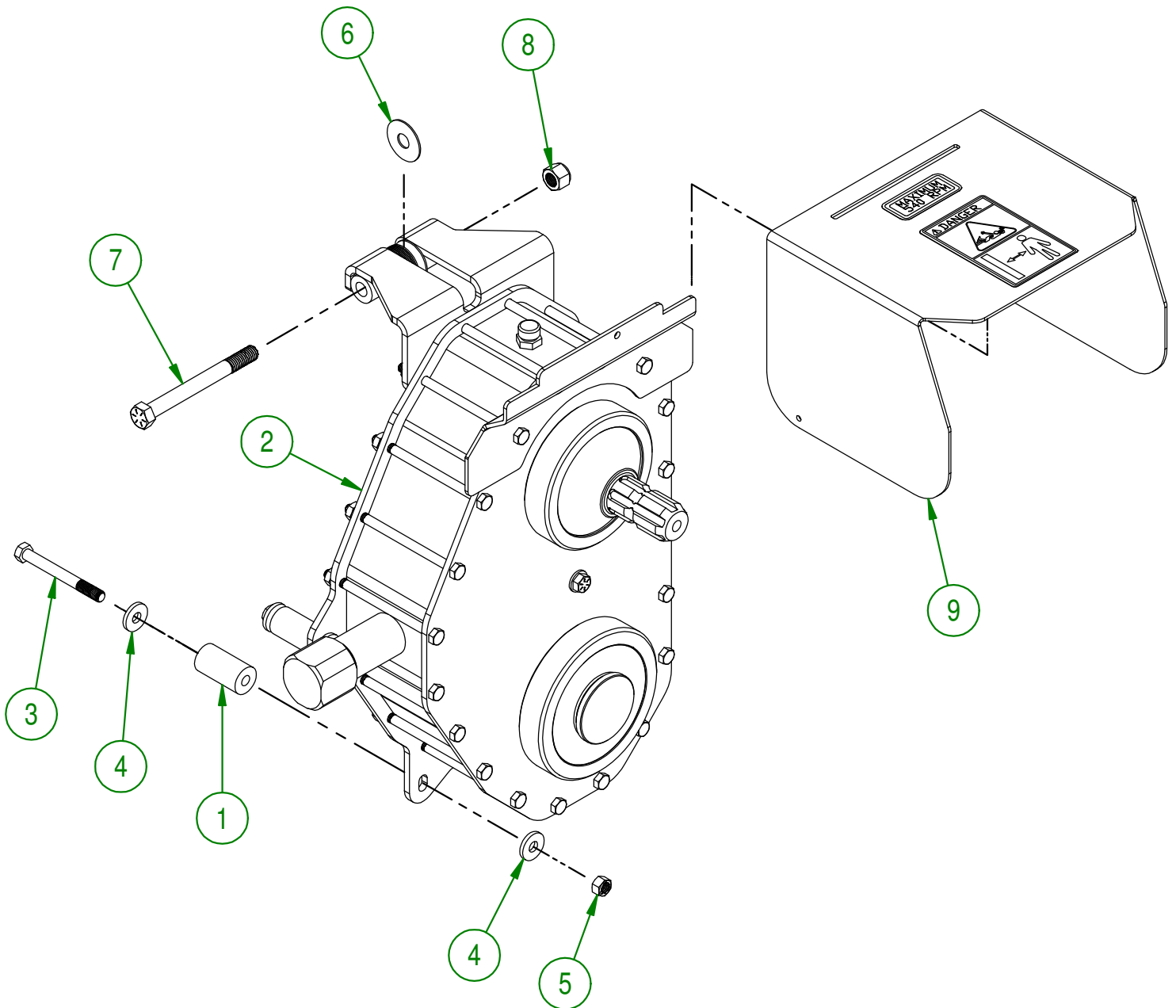
81-57-0215

| # | PART #       | Qty | TITLE                                     |
|---|--------------|-----|---|
| 1 | 81-20-0337   | 1   | LATERAL CUTTER BLADES (LEFT)              |
| 2 | 81-20-0335   | 1   | LATERAL CUTTER BLADES (RIGHT)             |
| 3 | 81-10-0000   | 4   | LATERAL CUTTER BLADES BUSHING             |
| 4 | NC01-33-0248 | 10  | HEX. BOLT .GR8 NC ZINC 1/2-13 X 1 1/4"    |
| 5 | NC01-33-0514 | 4   | HEX. BOLT GR8 ZINC 1/2-13 X 2 1/4"        |
| 6 | NC02-32-0014 | 14  | LOCK WASHER ZINC 1/2"                     |
| 7 | NC02-07-0020 | 14  | HEX. NUT ZINC 1/2-13                      |
| 8 | 81-04-0525   | 2   | LATERAL KNIFE REINFORCE                   |
| 9 | NC02-22-0012 | 2   | WASHER ZINC 1/2 BOLT = 9/16"Ø X 1 3/8" OD |

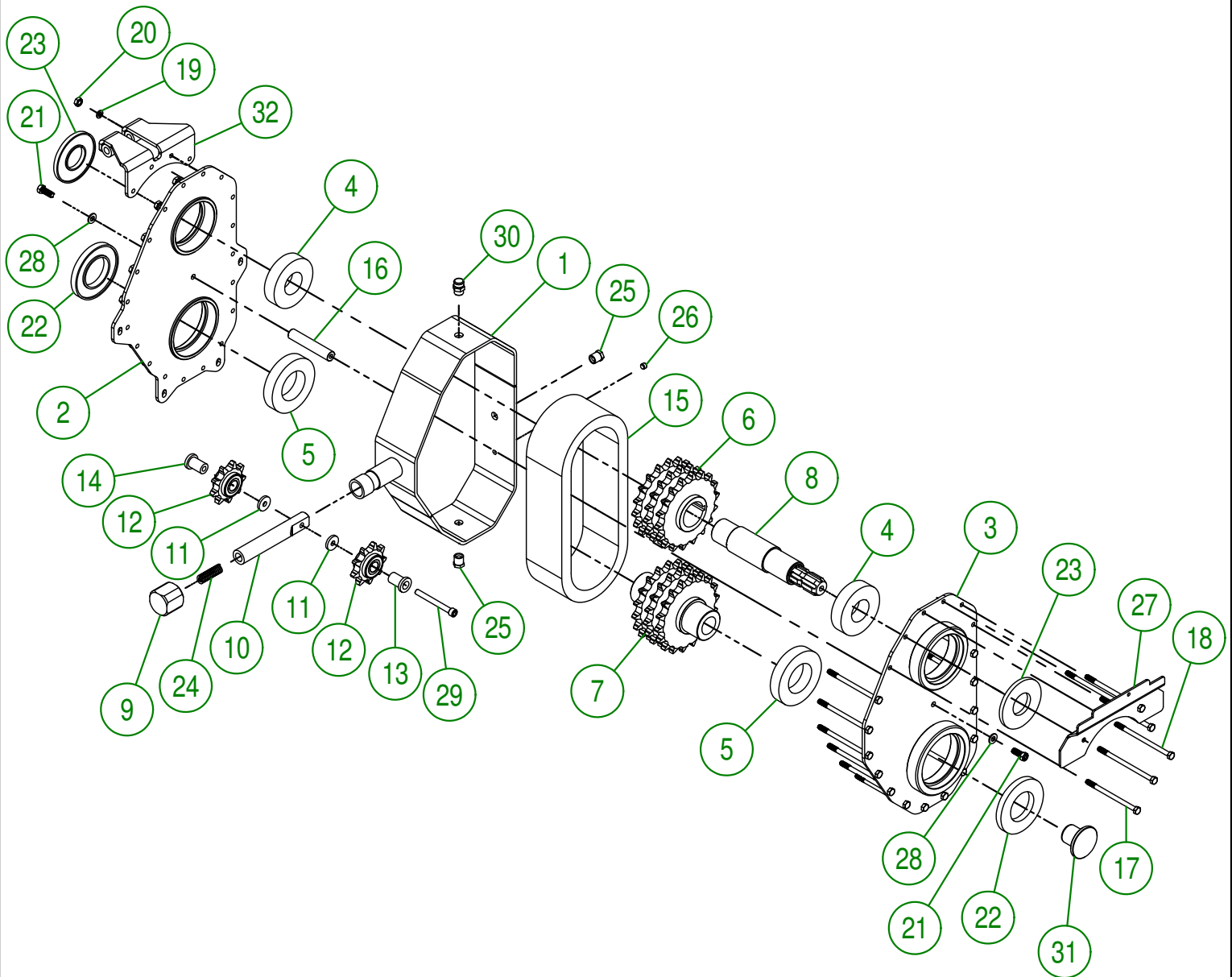


|                              |                              |
|------------------------------|------------------------------|
| <b>AGRIMETAL</b>             |                              |
| <b>LATERAL CUTTER BLADES</b> |                              |
| CREATION : 24/11/17          | ASSEMBLY : <b>81-57-0215</b> |
| REVISION : 06/12/21          | AUTHOR : J. Houle            |

| # | PART #       | Qty | TITLE                                |
|---|--------------|-----|--------------------------------------|
| 1 | 81-21-0030   | 4   | CHAIN CASE SUPPORT                   |
| 2 | 81-55-5000   | 1   | CHAIN CASE ASSY.                     |
| 3 | NC01-37-0124 | 4   | HEX. BOLT GR8 3/8-24 X 3 1/2"        |
| 4 | 21-01-0950   | 8   | FLAT WASHER 10GA 1.005" DIA X 25/64" |
| 5 | NC01-94-0011 | 4   | LOCK NUT 3/8-24                      |
| 6 | NC02-26-1300 | 10  | WASHER 17/32-.531"ID X 1 1/2"OD      |
| 7 | NC01-37-0263 | 1   | HEX. BOLT GR8 NF ZINC 1/2-20 X 5" LG |
| 8 | NC01-97-0008 | 1   | HEX. LOCK NUT NYLO. NF Z 1/2-20      |
| 9 | 81-57-0045   | 1   | PTO GUARD                            |



|                          |                                 |
|--------------------------|---------------------------------|
| <b>AGRIMETAL</b>         |                                 |
| <b>CHAIN CASE GROUP.</b> |                                 |
| CREATION : 09/04/18      | ASSEMBLY : <b>81-57-5012</b>    |
| REVISION : 18/11/19      | AUTHOR : J.KABWE   Page 5 de 22 |



**AGRIMETAL**  
**CHAIN CASE ASSY.**

CREATION : 09/04/18  
 REVISION : 29/05/19

ASSEMBLY : **81-55-5000**

AUTHOR : J.KABWE

Page 6 de 22

| #  | PART #       | Qty | TITLE                              |
|----|--------------|-----|------------------------------------|
| 1  | 81-50-9000   | 1   | CHAIN CASE SIDE                    |
| 2  | 81-50-9005   | 1   | CHAIN CASE BACK                    |
| 3  | 81-50-9010   | 1   | CHAIN CASE FRONT                   |
| 4  | NC14-75-0169 | 2   | BEARING 6309-2RS                   |
| 5  | NC14-75-0168 | 2   | BEARING 6212-2RS                   |
| 6  | 81-50-9015   | 1   | SPROCKET (TOP)                     |
| 7  | 81-50-9020   | 1   | SPROCKET (BOTTOM)                  |
| 8  | 81-20-0040   | 1   | SHAFT (CHAIN CASE)                 |
| 9  | 81-21-0025   | 1   | CHAIN CASE TIGHTENER PLUG          |
| 10 | 81-13-0005   | 1   | SPRING                             |
| 11 | 81-13-0015   | 2   | SPACER                             |
| 12 | 81-55-0000   | 2   | CHAIN TENSIONER SPROCKET           |
| 13 | 81-13-0010   | 1   | SPACER                             |
| 14 | 81-13-0012   | 1   | SPACER                             |
| 15 | 81-37-1010   | 1   | CHAIN #80 TRIPLE                   |
| 16 | 81-13-0030   | 1   | COVER BRACE                        |
| 17 | NC01-37-0076 | 15  | HEX. BOLT ZINC GR8 5/16-24 X 5"    |
| 18 | NC01-37-0078 | 4   | HEX. BOLT ZINC GR8 5/16-24 X 5"    |
| 19 | NC02-32-0011 | 19  | LOCK WASHER ZINC 5/16"             |
| 20 | NC02-11-0017 | 19  | HEX. NUT 5/16-24                   |
| 21 | NC01-37-0114 | 2   | BOLT GR8 3/8" X 1"                 |
| 22 | NC13-80-0281 | 2   | SEALING GASKET 12mm X 60mm X 110mm |
| 23 | NC13-80-0280 | 2   | SEALING GASKET 8mm X 45mm X 100mm  |
| 24 | NC13-86-0008 | 1   | BLUE SPRING (5/8" OD. X 4")        |
| 25 | NC13-45-0221 | 2   | HEXAGONAL PLUG                     |
| 26 | NC02-44-0202 | 1   | PRESSURE SCREW 6PANS NPTF 1/8-27   |
| 27 | 81-01-0924   | 1   | PTO GUARD SUPPORT (CHAIN CASE)     |
| 28 | 49-22-1810   | 2   | WASHER                             |
| 29 | NC02-51-0128 | 1   | SOCKET HAED SCREW 3/8-24 X 3 1/2"  |
| 30 | NC14-10-0160 | 1   | PLUG                               |
| 31 | 81-42-0000   | 1   | HUB PLUG                           |
| 32 | 81-50-9025   | 1   | CHAINCASE BRACE                    |

**AGRIMETAL**  
CHAIN CASE ASSY.

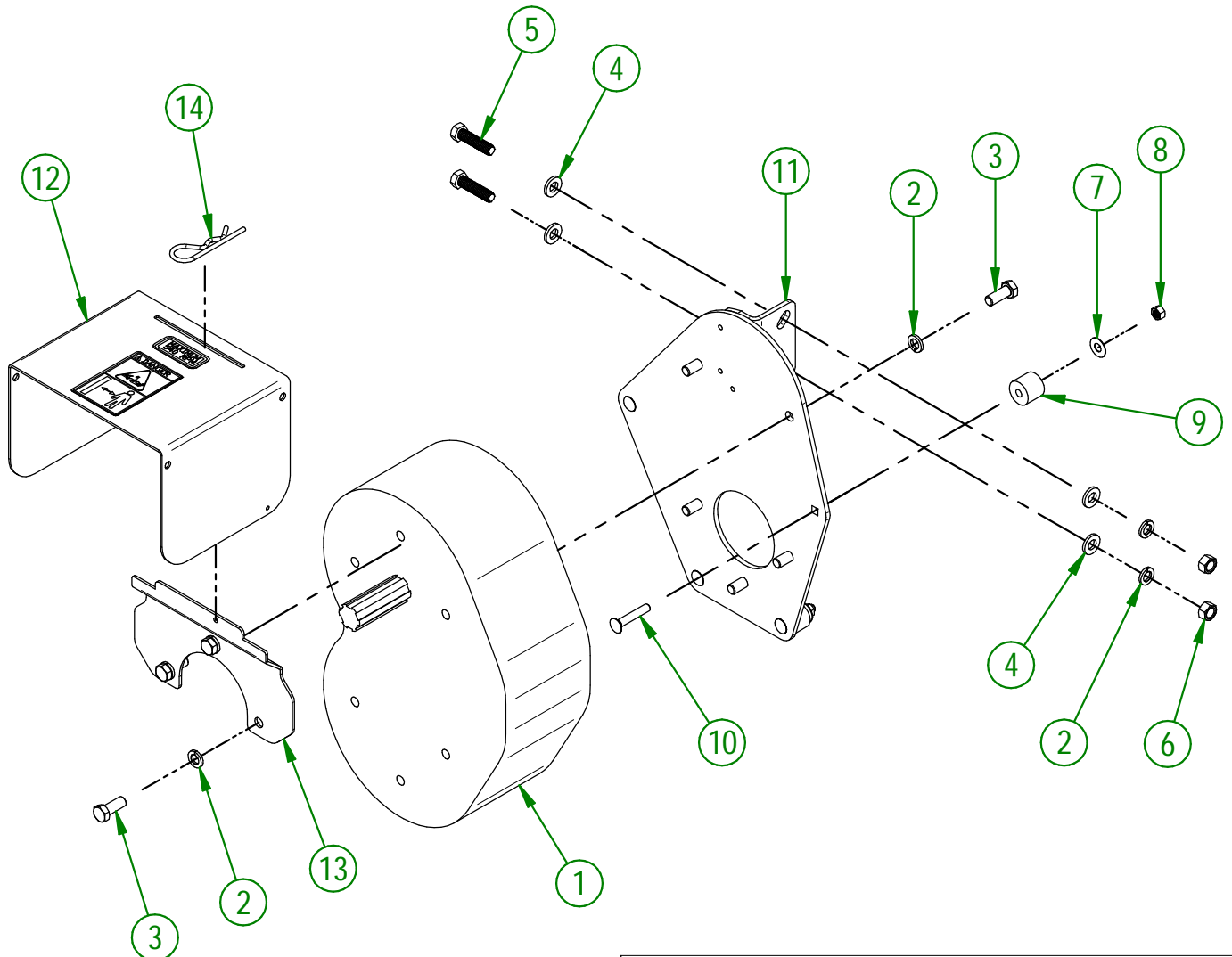
CREATION : 09/04/18  
REVISION : 29/05/19

ASSEMBLY : **81-55-5000**

AUTHOR : J.KABWE

Page 7 de 22

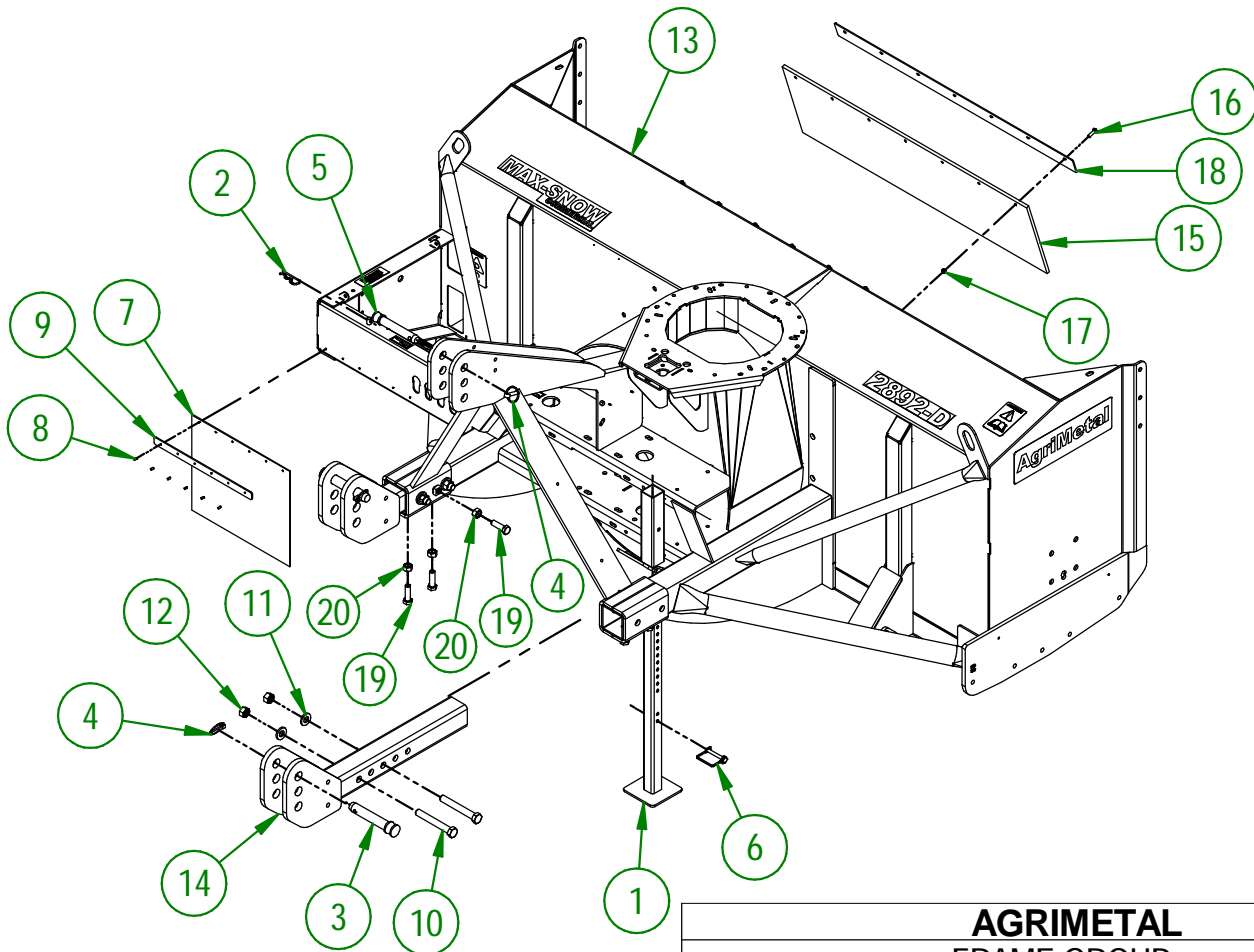
| #  | PART #       | Qty | TITLE                              |
|----|--------------|-----|------------------------------------|
| 1  | 81-55-0100   | 1   | 1000 TO 540 RPM GEARBOX            |
| 2  | NC02-32-0014 | 10  | LOCK WASHER ZINC 1/2"              |
| 3  | NC01-25-0248 | 8   | HEX. BOLT GR5 ZINC 1/2-13 X 1 1/4" |
| 4  | 01-01-0925   | 4   | WASHER                             |
| 5  | NC01-25-0251 | 2   | HEX.BOLT GR5 NC ZINC 1/2-13 X 2"   |
| 6  | NC02-07-0020 | 2   | HEX. NUT ZINC 1/2-13               |
| 7  | NC02-22-0010 | 4   | WASHER 13/32" ID                   |
| 8  | NC01-93-0011 | 4   | LOCK NUT 3/8-16                    |
| 9  | 81-13-0070   | 4   | GEARBOX SPACER                     |
| 10 | NC01-07-0114 | 4   | CARR. BOLT GR5 ZINC 3/8-16 X 2" LG |
| 11 | 81-50-2080   | 1   | GEARBOX HOLDER                     |
| 12 | 81-57-0040   | 1   | PTO GUARD                          |
| 13 | 81-01-0235   | 1   | PTO GUARD SUPPORT (GEARBOX)        |
| 14 | NC01-63-0027 | 1   | HAIRPIN COTTER                     |

**AGRIMETAL****1000 TO 540 RPM GEARBOX GROUP**

CREATION : 22/02/22  
 REVISION : 02/06/22

ASSEMBLY : **81-57-5075**  
 AUTHOR : J. Houle

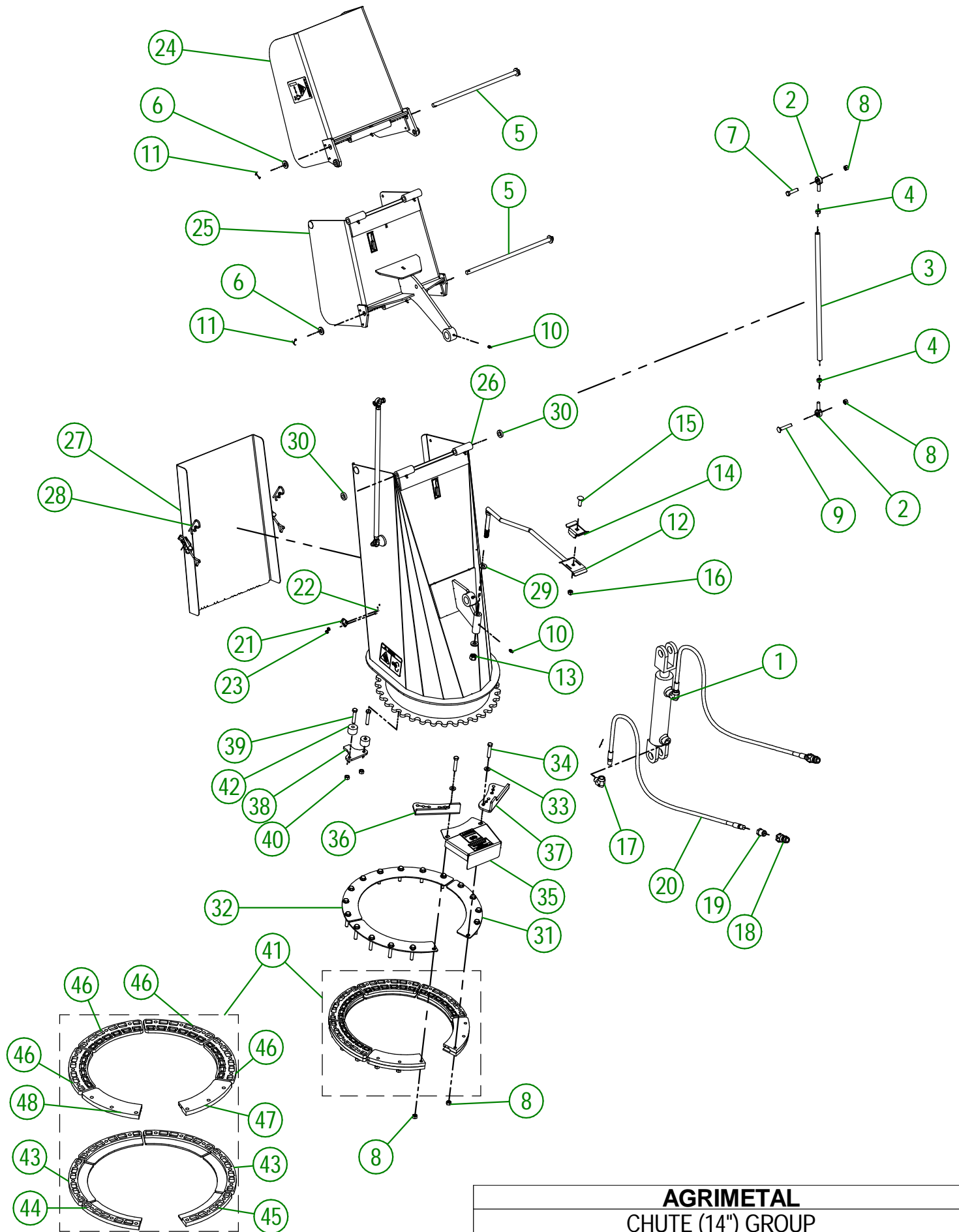
| #  | PART #       | QTY | TITLE   |
|----|--------------|-----|---|
| 1  | 81-50-0090   | 1   | STAND   |
| 2  | NC01-63-0026 | 1   | COTTER PIN ZC 5/32" X 3"                          |
| 3  | 48-20-0065   | 2   | 3 POINT PIN                                       |
| 4  | NC01-69-1100 | 3   | LINCH PIN 3/8"                                    |
| 5  | 48-20-0060   | 1   | 3 POINT PIN                                       |
| 6  | NC01-69-1306 | 1   | LOCKING PIN 3/8" X 2 1/2" LG                      |
| 7  | NCI3-15-0300 | 1   | SNOW GUARD  |
| 8  | NC01-78-0041 | 6   | POP RIVET STAINLESS STEEL ROD STEEL .187" X .690" |
| 9  | 80-01-1075   | 1   | SNOW GUARD BRACE                                  |
| 10 | NC01-33-0481 | 4   | HEX. BOLT GR8 ZINC 3/4-10 X 5 1/2"                |
| 11 | 22-04-6805   | 4   | FLAT WASHER BEARING BASE                          |
| 12 | NC01-93-0017 | 4   | HEX. LOCKNUT STEEL NC Z 3/4-10                    |
| 13 | 81-57-1515   | 1   | FRAME   |
| 14 | 81-50-5040   | 2   | ATTACHMENT HAND                                   |
| 15 | NCI3-15-0321 | 1   | RUBBER  |
| 16 | NC01-17-0060 | 7   | HEX. BOLT GR2 ZINC 5/16-18 X 1"                   |
| 17 | NC01-93-0010 | 7   | LOCK NUT ZINC 5/16-18                             |
| 18 | 81-57-0250   | 1   | RUBBER REINFORCEMENT                              |
| 19 | NC01-17-0396 | 6   | HEX. BOLT GR2 ZINC 5/8-11 X 2"                    |
| 20 | NC02-07-0022 | 6   | HEX. NUT ZINC 5/8-11                              |



**AGRIMETAL**  
**FRAME GROUP**

CREATION : 09/04/18  
REVISION : 06/01/26

ASSEMBLY : **81-57-1500**  
AUTHOR : J.KABWE



**AGRIMETAL**  
**CHUTE (14'') GROUP**

CREATION : 12/04/19  
 REVISION : 22/12/25

ASSEMBLY : **81-57-0331**  
 AUTHOR : dessin3

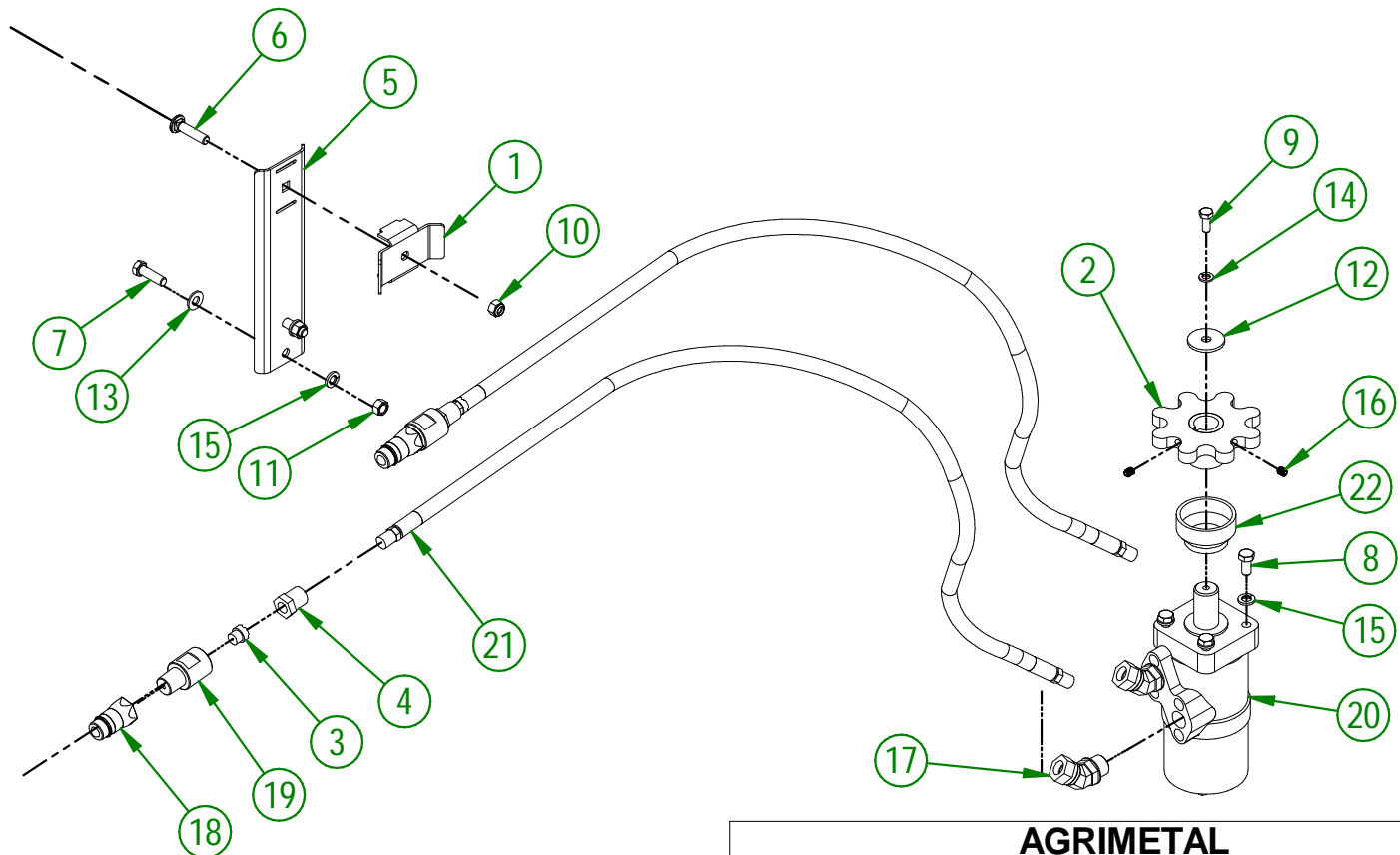
## 81-57-0331

| #  | PART#        | QTY | TITLE   |
|----|--------------|-----|---|
| 1  | NC13-45-0404 | 1   | HYDRAULIC CYLINDER 6"                         |
| 2  | NC01-67-0304 | 4   | ROD END 3/8-24                                |
| 3  | 48-13-0600   | 2   | CHUTE ROD (DOUBLE)                            |
| 4  | NC02-10-0018 | 4   | NUT 3/8-24                                    |
| 5  | 81-20-0250   | 2   | PIVOT   |
| 6  | NC02-25-0011 | 4   | WASHER SAE ZINC 17/32 ID                      |
| 7  | NC01-25-0116 | 2   | HEX. BOLT GR5 ZINC 3/8-16 X 1 1/2"            |
| 8  | NC01-93-0011 | 22  | LOCK NUT 3/8-16                               |
| 9  | NC01-07-0113 | 2   | CARR. BOLT GR5 ZINC 3/8-16 X 2" LG            |
| 10 | NC01-69-0785 | 9   | STRAIGHT GREASE FITTING 1/4-28                |
| 11 | NC01-69-0139 | 4   | COTTER PIN ZINC 1/8" X 3/4"                   |
| 12 | 48-50-1030   | 1   | HYDRAULIC HOSE SUPPORT                        |
| 13 | NC01-96-0014 | 1   | NYLON-INSERT LOCKNUT ZINC 1/2-13              |
| 14 | 48-01-7530   | 1   | HYDRAULIC HOSE SUPPORT                        |
| 15 | NC01-04-0110 | 1   | CARR. BOLT GR2 ZINC 3/8-16 X 1 1/4"           |
| 16 | NC01-96-0011 | 1   | NYLON NUT 3/8-16                              |
| 17 | NC13-45-0038 | 2   | ELBOW 90 3/8 FEM. NPT X 3/8 MALE NPT          |
| 18 | NC13-45-0369 | 2   | QUICK COUPLER 1/2-14 NPTF                     |
| 19 | NC13-45-0153 | 2   | HEX. REDUCER 1/4 NPT X 1/2 NPT                |
| 20 | NC17-02-0347 | 2   | HYDRAULIC HOSE (111" LG)                      |
| 21 | NC01-63-0052 | 2   | ADJUSTABLE LATCH (STRIKE)                     |
| 22 | NC02-40-0080 | 4   | MACHINE SCREWS SQUARE SOCKET #10-24 X 1/2" LG |
| 23 | NC01-96-0006 | 4   | NYLON NUT ZINC 3/16                           |
| 24 | 81-57-0321   | 1   | CHUTE (TOP SECTION)                           |
| 25 | 81-57-0311   | 1   | CHUTE (MIDDLE SECTION)                        |
| 26 | 81-57-0302   | 1   | CHUTE (BOTTOM SECTION)                        |
| 27 | 81-57-0353   | 1   | CHUTE DOOR                                    |
| 28 | NC01-63-0026 | 2   | COTTER PIN ZC 5/32" X 3"                      |
| 29 | NC02-25-0011 | 2   | WASHER SAE ZINC 17/32 ID                      |
| 30 | NC13-15-0334 | 2   | PIVOT WASHER                                  |
| 31 | 48-01-1165   | 2   | BRACE   |
| 32 | 48-01-1167   | 1   | BRACE   |
| 33 | NC02-26-1525 | 18  | WASHER INOX .406" D.I. X .815" D.E.           |
| 34 | NC01-17-0118 | 18  | HEX. BOLT GR2 ZINC 3/8-16 X 2"                |
| 35 | 80-57-0550   | 1   | SPROCKET GUARD GROUP "STICKER INCLUDED"       |
| 36 | 81-04-0175   | 1   | ADJUSTABLE STOPPER                            |
| 37 | 81-04-0177   | 1   | ADJUSTABLE STOPPER                            |
| 38 | 84-04-0170   | 1   | STOPPER                                       |
| 39 | NC01-37-0118 | 2   | HEX. BOLT GR8 ZINC 3/8-24 X 2"                |
| 40 | NC01-94-0011 | 2   | LOCK NUT 3/8-24                               |
| 41 | 81-57-0550   | 1   | CHUTE GUIDE GROUP                             |
| 42 | 81-21-0040   | 2   | ADJUSTABLE STOPPER SPACER                     |

## 81-57-0550

| #  | PART#        | QTY | TITLE               |
|----|--------------|-----|---------------------|
| 43 | NC17-46-0025 | 4   | CHUTE GUIDE (UNDER) |
| 44 | 48-42-0305   | 1   | CHUTE GUIDE (UNDER) |
| 45 | 48-42-0310   | 1   | CHUTE GUIDE (UNDER) |
| 46 | NC17-46-0026 | 4   | CHUTE GUIDE (TOP)   |
| 47 | 48-42-0320   | 1   | CHUTE GUIDE (TOP)   |
| 48 | 48-42-0315   | 1   | CHUTE GUIDE (TOP)   |

| #  | PART #       | Qty | TITLE  |
|----|--------------|-----|--|
| 1  | 48-01-7527   | 1   | HYDRAULIC HOSE SUPPORT                       |
| 2  | 48-50-1025   | 1   | HYDRAULIC ENGINE SPROCKET                    |
| 3  | 80-13-0100   | 2   | HYDRAULIC RESTRICTOR                         |
| 4  | 80-45-0000   | 2   | HEX. REDUCER 1/4 NPT X 1/2 NPT               |
| 5  | 81-01-7600   | 1   | HYDRAULIC HOSE SUPPORT                       |
| 6  | NC01-04-0111 | 1   | CARR. BOLT GR2 ZINC 3/8-16 X 1 1/2"          |
| 7  | NC01-17-0115 | 2   | HEX. BOLT GR2 ZINC 3/8-16 X 1 1/4"           |
| 8  | NC01-33-0113 | 4   | HEX.BOLT GR8 ZINC 3/8-16 X 3/4"              |
| 9  | NC01-45-0184 | 1   | HEX. BOLT GR8.8 ZINC 8MM X 20MM              |
| 10 | NC01-96-0011 | 1   | NYLON NUT 3/8-16                             |
| 11 | NC02-07-0018 | 2   | HEX. NUT ZINC 3/8-16                         |
| 12 | NC02-26-0504 | 1   | WASHER                                       |
| 13 | NC02-26-1525 | 2   | WASHER INOX .406" D.I. X .815" D.E.          |
| 14 | NC02-32-0011 | 1   | LOCK WASHER ZINC 5/16"                       |
| 15 | NC02-32-0012 | 6   | LOCK WASHER ZINC 3/8"                        |
| 16 | NC02-44-0103 | 2   | SET SCREW 5/16-18 X 3/8"                     |
| 17 | NC13-45-0367 | 2   | 45°-7/8-14 MALE O RING X 1/2 FEM.TOUR.NPT PT |
| 18 | NC13-45-0369 | 2   | QUICK COUPLER 1/2-14 NPTF                    |
| 19 | NC13-45-0378 | 2   | HYDRAULIC RESTRICTOR BUSHING                 |
| 20 | NC14-45-0156 | 1   | HYDRAULIC MOTOR                              |
| 21 | NC17-02-0406 | 2   | HYDRAULIC HOSE (87" LG)                      |
| 22 | NC17-46-0031 | 1   | HYDRAULIC MOTOR BUSHING                      |

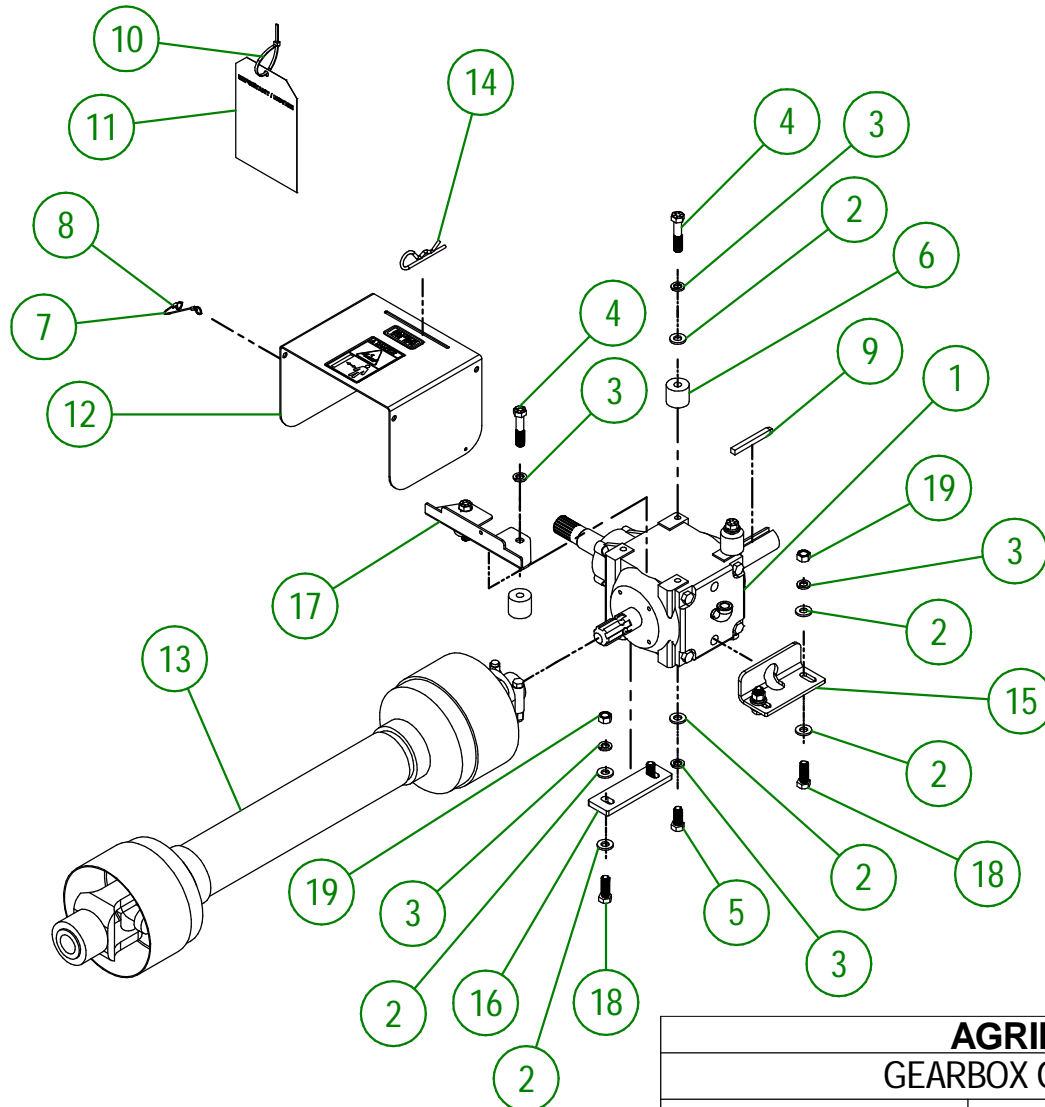


**AGRIMETAL**  
HYDRAULIC MOTOR GROUP

CREATION : 05/12/17  
REVISION : 25/03/26

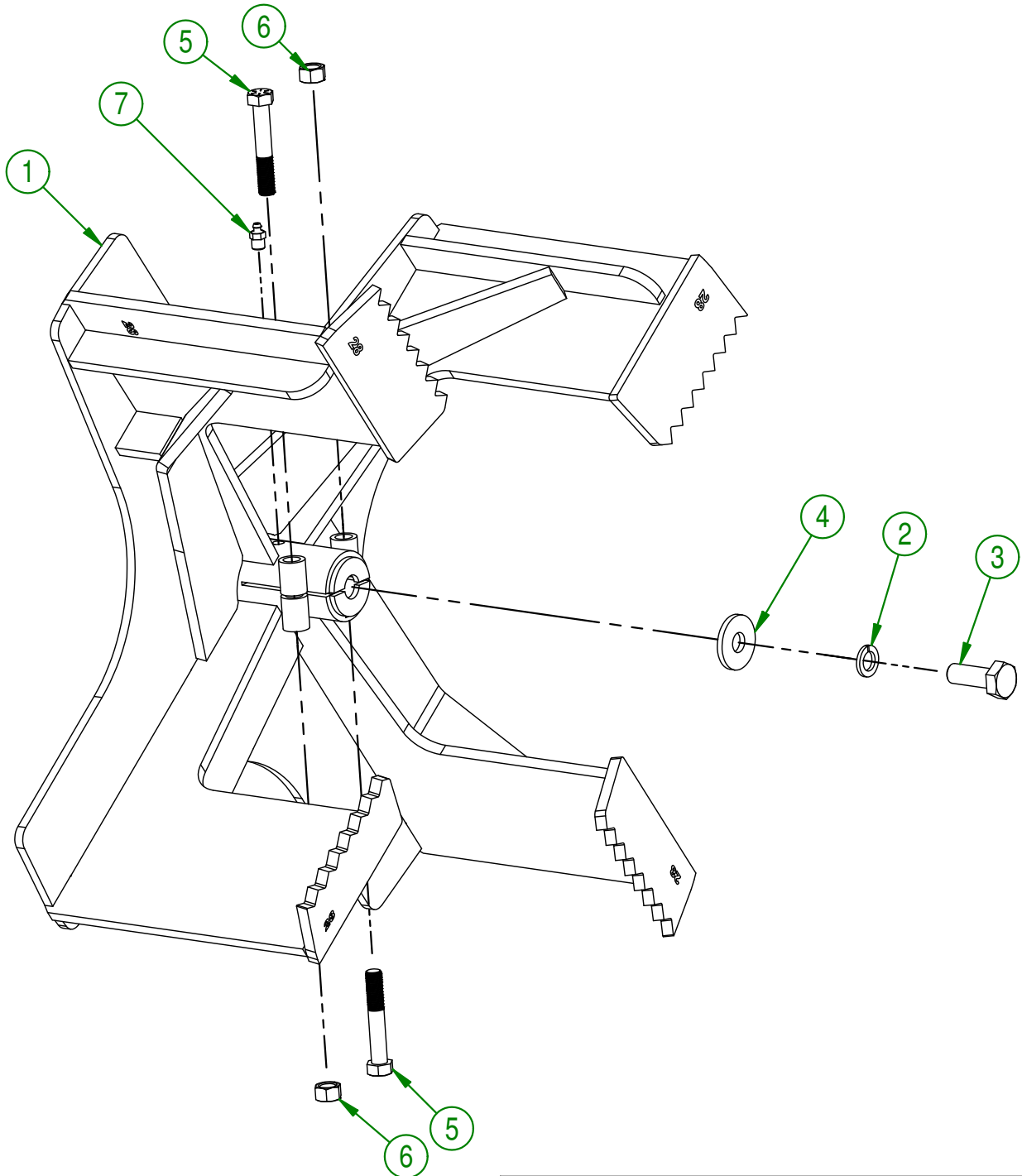
ASSEMBLY : **81-57-5045**  
AUTHOR : F.HÉLIE

| #  | PART #       | Qty | TITLE                                    |
|----|--------------|-----|--|
| 1  | 80-55-0010   | 1   | GEARBOX                                  |
| 2  | NC02-25-0011 | 14  | WASHER SAE ZINC 17/32 ID                 |
| 3  | NC02-32-0014 | 12  | LOCK WASHER ZINC 1/2"                    |
| 4  | NC01-33-0253 | 4   | HEX. BOLT GR8 ZINC 1/2-13 X 2 1/2"       |
| 5  | NC01-33-0248 | 4   | HEX. BOLT .GR8 NC ZINC 1/2-13 X 1 1/4"   |
| 6  | 81-21-0005   | 4   | TRANSMISSION BUSHING                     |
| 7  | 80-41-0135   | 1   | PTO GUARD STEEL CABLE                    |
| 8  | NC01-64-0005 | 2   | OVAL SLEEVE (ALUMINUM)                   |
| 9  | 80-41-0900   | 1   | IMPELLER KEY                             |
| 10 | NC13-25-0019 | 1   | BLACK TIE RAP                            |
| 11 | NC13-50-0110 | 1   | IMPORTANT/NOTICE PTO POSTER              |
| 12 | 81-57-0040   | 1   | PTO GUARD                                |
| 13 | 81-34-0035   | 1   | PTO SHAFT T80                            |
| 14 | NC01-63-0027 | 1   | HAIRPIN COTTER                           |
| 15 | 80-04-0485   | 1   | GEARBOX BRACE                            |
| 16 | 80-04-0480   | 1   | GEARBOX BRACE                            |
| 17 | 81-01-0921   | 1   | PTO GUARD SUPPORT                        |
| 18 | NC01-33-0249 | 4   | CAP SCREW GR8 NC ZINC 1/2-13 X 1 1/2" LG |
| 19 | NC02-07-0020 | 4   | HEX. NUT ZINC 1/2-13                     |



|                         |                              |
|-------------------------|------------------------------|
| <b>AGRIMETAL</b>        |                              |
| <b>GEARBOX GROUPING</b> |                              |
| CREATION : 19/07/16     | ASSEMBLY : <b>81-57-0430</b> |
| REVISION : 02/03/22     | AUTHOR : Dessin2             |

| # | PART #       | Qty | TITLE                                 |
|---|--------------|-----|---------------------------------------|
| 1 | 81-50-0050   | 1   | IMPELLER                              |
| 2 | NC02-32-0016 | 1   | LOCK WASHER ZINC 5/8"                 |
| 3 | NC01-25-0395 | 1   | HEX. BOLT GR5 ZINC 5/8-11 X 1 3/4" LG |
| 4 | 80-04-0185   | 1   | WASHER                                |
| 5 | NC01-37-0255 | 2   | HEX BOLT GR8 1/2" X 3" LG.            |
| 6 | NC01-94-0013 | 2   | NYLON NUT ZINC 1/2-20"                |
| 7 | NC01-69-0791 | 1   | GREASE FITTING 1/8 NPT STRAIGHT       |



**AGRIMETAL**  
**IMPELLER GROUP**

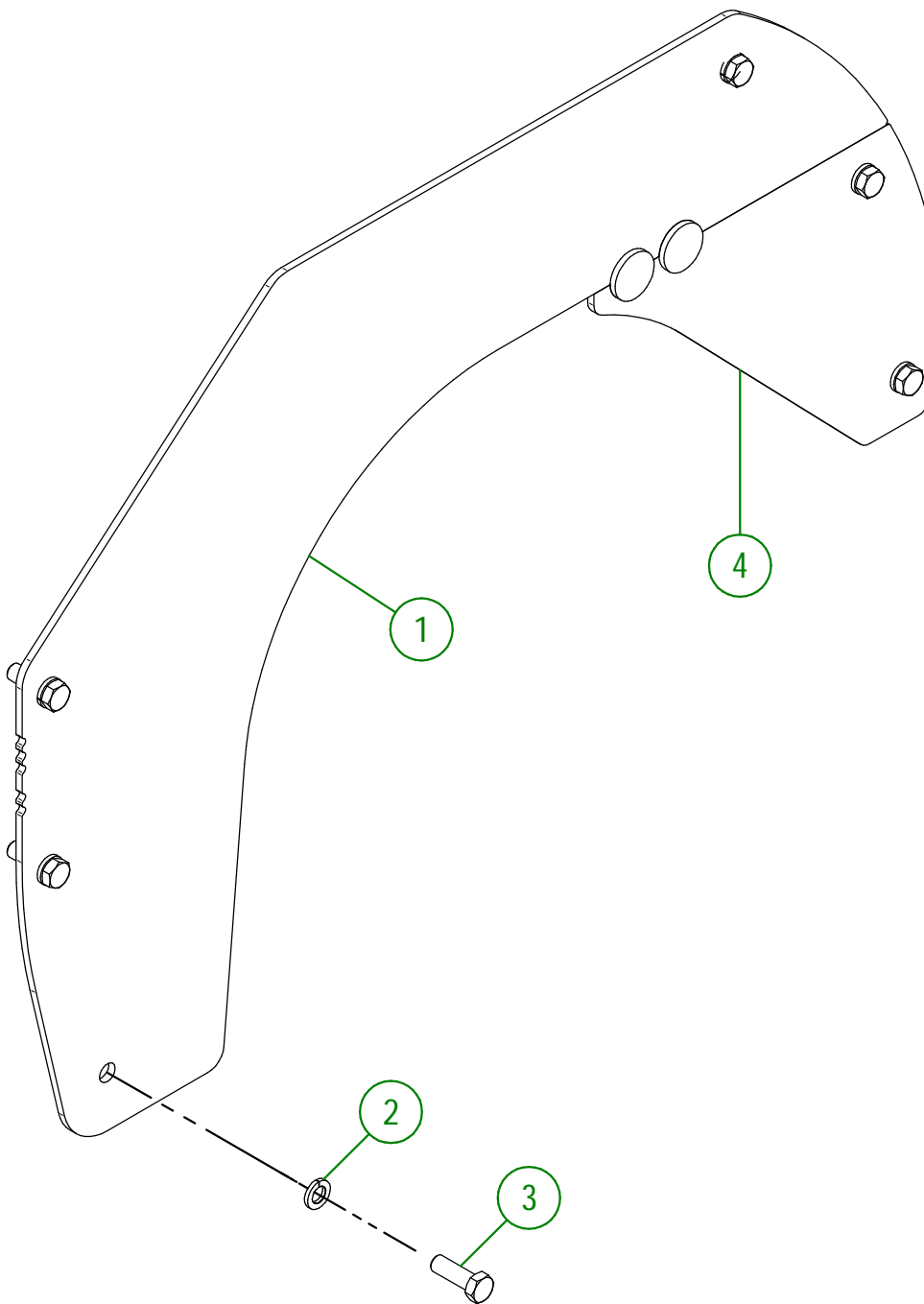
CREATION : 16/04/18  
 REVISION : 26/02/19

ASSEMBLY : **81-57-0426**

AUTHOR : F.HÉLIE | Page 13 de 22

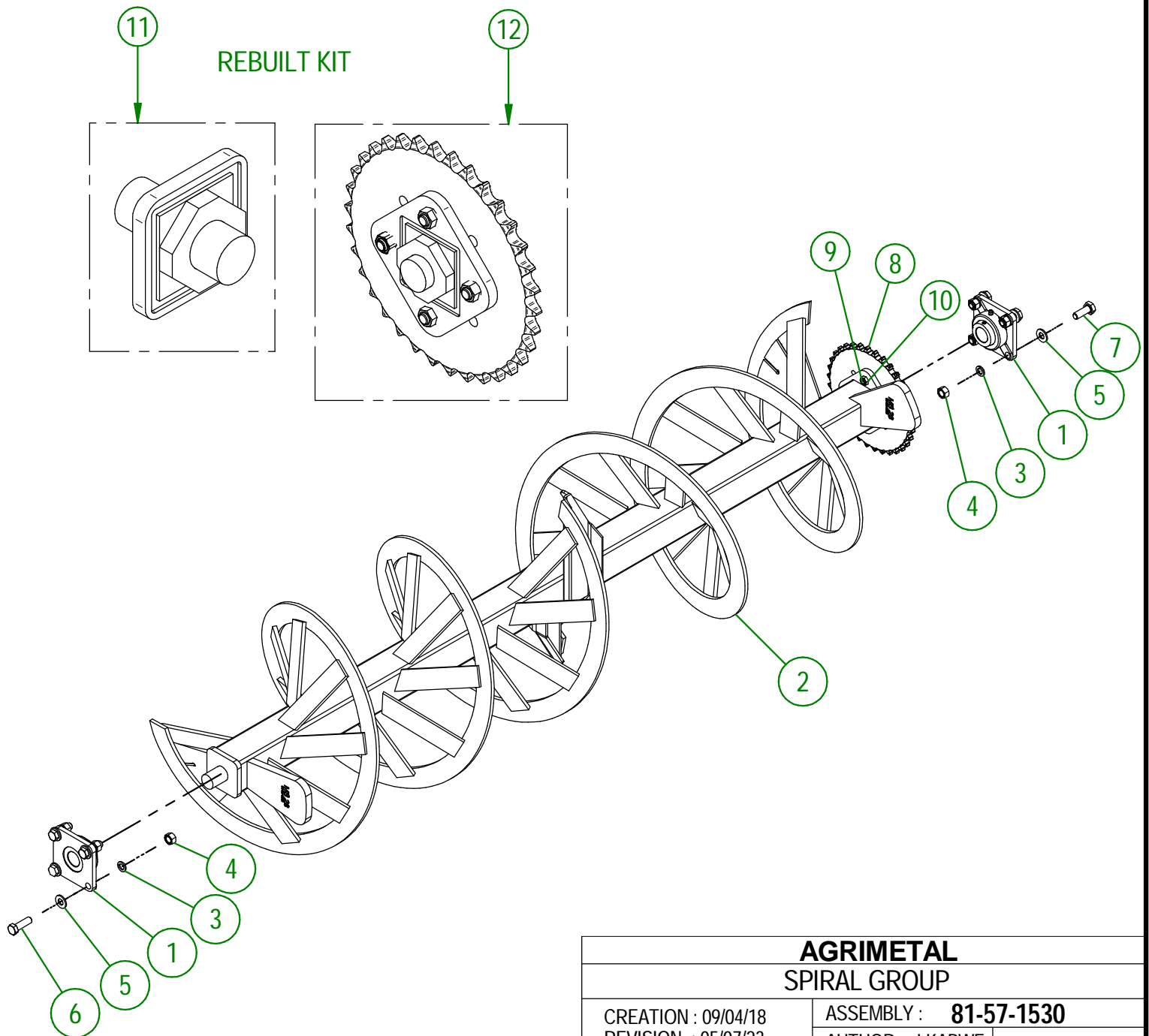
81-57-5035

| # | PART #       | Qty | TITLE                                 |
|---|--------------|-----|---------------------------------------|
| 1 | 81-50-5015   | 1   | LEFT SNOW GUARD                       |
| 2 | NC02-32-0014 | 6   | LOCK WASHER ZINC 1/2"                 |
| 3 | NC01-25-0249 | 6   | HEX. BOLT GR5 ZINC 1/2-13 X 1 1/2" LG |
| 4 | 81-50-5020   | 1   | RIGHT SNOW GUARD                      |



|                         |                              |
|-------------------------|------------------------------|
| <b>AGRIMETAL</b>        |                              |
| <b>SNOW GUARD GROUP</b> |                              |
| CREATION : 06/04/18     | ASSEMBLY : <b>81-57-5035</b> |
| REVISION : 29/09/22     | AUTHOR : J.KABWE             |

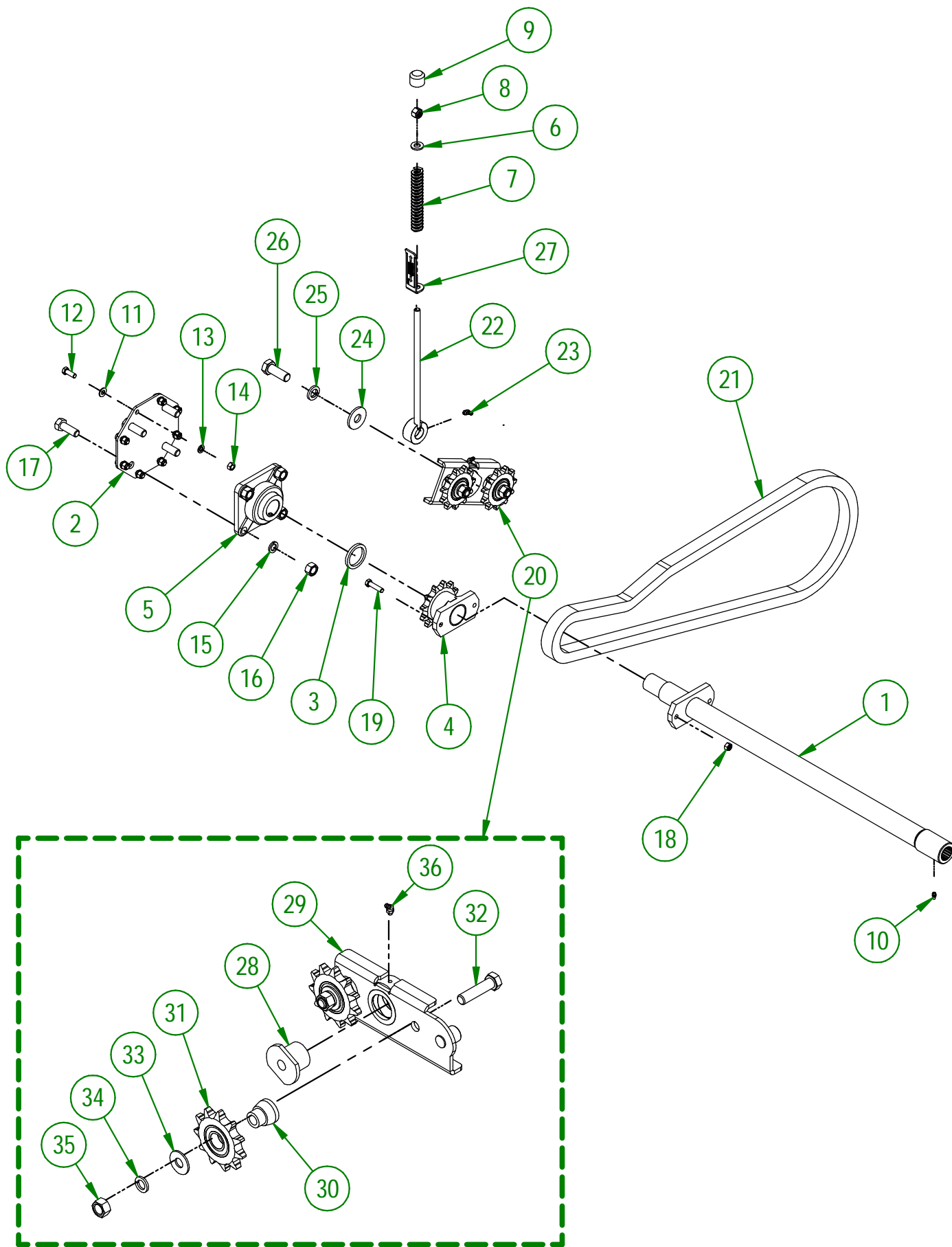
| #  | PART #       | Qty | TITLE                                 |
|----|--------------|-----|---------------------------------------|
| 1  | NC14-75-0161 | 2   | FLANGE BEARING UCF 208-24 1 1/2" ID   |
| 2  | 81-50-1530   | 1   | SPIRAL                                |
| 3  | NC02-32-0016 | 8   | LOCK WASHER ZINC 5/8"                 |
| 4  | NC02-07-0022 | 8   | HEX. NUT ZINC 5/8-11                  |
| 5  | NC02-25-0013 | 8   | WASHER ZINC SAE ZINC 21/32 ID         |
| 6  | NC01-17-0396 | 4   | HEX. BOLT GR2 ZINC 5/8-11 X 2"        |
| 7  | NC01-17-0395 | 4   | HEX. BOLT GR2 ZINC 5/8-11 X 1 3/4"    |
| 8  | NC14-55-0275 | 1   | SPROCKET 80A34 X 1 1/2"               |
| 9  | NC01-29-0249 | 4   | HEX. BOLT GR2 NC ZINC 1/2-20 X 1 1/2" |
| 10 | NC01-94-0013 | 4   | HEX. LOCK NUT NF ZINC 1/2-20          |
| 11 | 81-51-0086   | 1   | SHAFT OF THE SPIRAL                   |
| 12 | 81-51-0091   | 1   | SHAFT OF THE SPIRAL (SPROCKET)        |



**AGRIMETAL**  
**SPIRAL GROUP**

CREATION : 09/04/18  
REVISION : 05/07/23

ASSEMBLY : **81-57-1530**  
AUTHOR : J.KABWE



|                                 |                              |
|---------------------------------|------------------------------|
| <b>AGRIMETAL</b>                |                              |
| <b>SPIRAL DRIVE TRAIN GROUP</b> |                              |
| CREATION : 09/04/18             | ASSEMBLY : <b>81-57-1505</b> |
| REVISION : 22/12/25             | AUTHOR : J.KABWE             |

## 81-57-1505

| #  | PART #       | Qty | TITLE                                      |
|----|--------------|-----|--|
| 1  | 81-50-0565   | 1   | SPIRAL DRIVE TRAIN                         |
| 2  | 81-04-0010   | 1   | BEARING SUPPORT                            |
| 3  | 81-21-0010   | 1   | SPIRAL DRIVE TRAIN BUSHING                 |
| 4  | NC14-55-0276 | 1   | 80B12H SPROCKET                            |
| 5  | NC14-75-0025 | 1   | FLANGE BEARING 4 HOLES UCF 208-24 X 1 1/2" |
| 6  | NC02-25-0011 | 1   | WASHER SAE ZINC 17/32 ID                   |
| 7  | NC13-86-0054 | 1   | BLUE SPRING 1/2" ID X 1" OD X 6" LG        |
| 8  | NC01-96-0014 | 1   | NYLON-INSERT LOCKNUT ZINC 1/2-13           |
| 9  | 80-42-0110   | 1   | THREADED ROD CAP                           |
| 10 | NC01-69-0785 | 1   | STRAIGHT GREASE FITTING 1/4-28             |
| 11 | NC02-26-1525 | 8   | WASHER INOX .406" D.I. X .815" D.E.        |
| 12 | NC01-17-0114 | 8   | HEX. BOLT GR2 ZINC 3/8-16 X 1"             |
| 13 | NC02-32-0012 | 8   | LOCK WASHER ZINC 3/8"                      |
| 14 | NC02-07-0018 | 8   | HEX. NUT ZINC 3/8-16                       |
| 15 | NC02-32-0016 | 4   | LOCK WASHER ZINC 5/8"                      |
| 16 | NC02-07-0022 | 4   | HEX. NUT ZINC 5/8-11                       |
| 17 | NC01-17-0395 | 4   | HEX. BOLT GR2 ZINC 5/8-11 X 1 3/4"         |
| 18 | NC01-93-0011 | 1   | LOCK NUT 3/8-16                            |
| 19 | NC01-25-0116 | 1   | HEX. BOLT GR5 ZINC 3/8-16 X 1 1/2"         |
| 20 | 81-55-0400   | 1   | CHAIN TENSIONER GROUP                      |
| 21 | 81-37-1005   | 1   | #80 HD CHAIN                               |
| 22 | 81-50-5035   | 1   | CHAIN TENSIONER THREADED ROD               |
| 23 | NC01-69-0787 | 1   | GREASE FITTING STRAIGHT 1/4-28 X 90        |
| 24 | 81-04-0135   | 1   | WASHER 2.015" DIA. X 49/64"                |
| 25 | NC02-32-0017 | 1   | LOCK WASHER ZINC 3/4"                      |
| 26 | NC01-25-0467 | 1   | HEX. BOLT GR2 ZINC 3/4-10 X 2 " LG.        |
| 27 | 81-57-0160   | 1   | ADJUSTEMENT INDICATOR                      |

## 81-55-0400

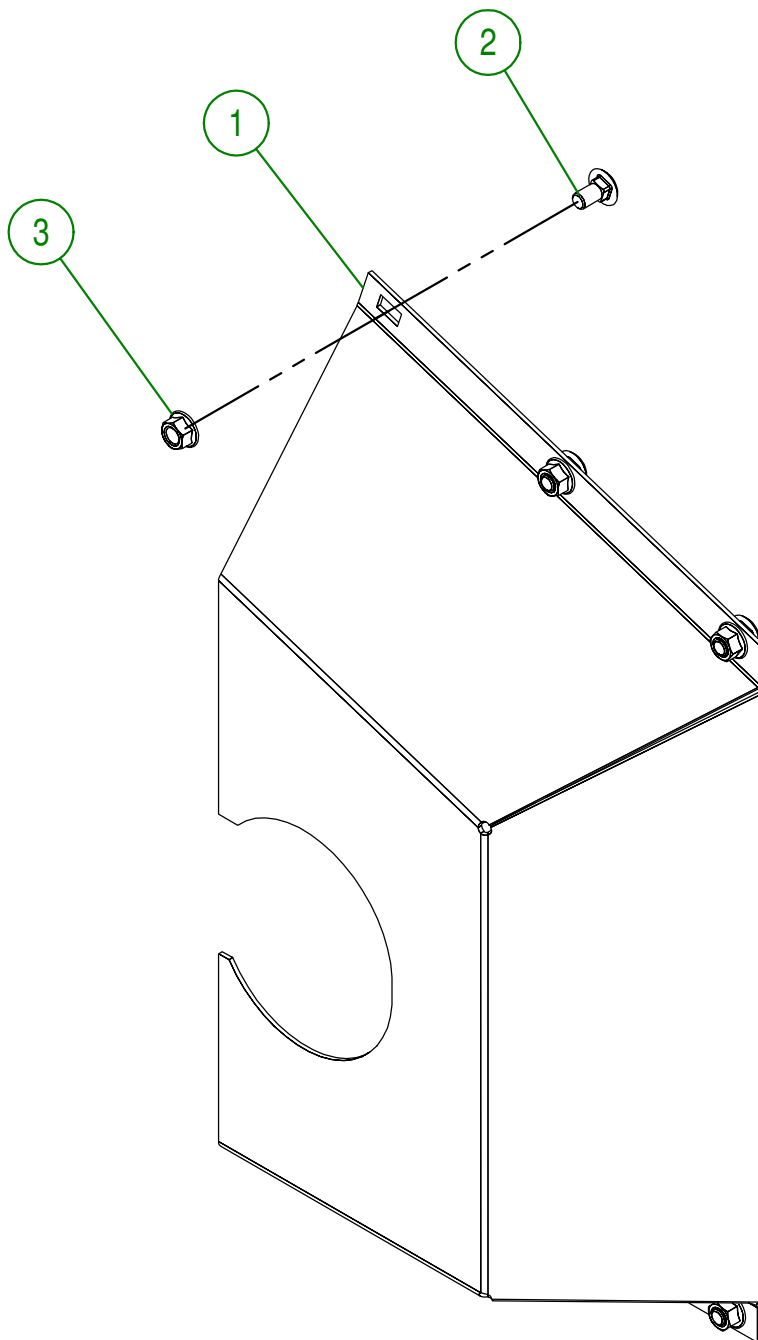
| #  | PART #       | Qty | TITLE                                 |
|----|--------------|-----|---------------------------------------|
| 28 | 88-13-0005   | 1   | CHAIN TENSIONER BUSHING               |
| 29 | 81-50-5005   | 1   | CHAIN TENSIONER                       |
| 30 | 81-21-0020   | 2   | CHAIN TENSIONER BUSHING               |
| 31 | 81-55-0005   | 2   | CHAIN TENSIONER SPROCKET              |
| 32 | NC01-17-0398 | 2   | HEX. BOLT GR2 NC ZINC 5/8-11 X 2 1/2" |
| 33 | NC02-22-0013 | 2   | WASHER ZINC 5/8 ID X 1 1/2 OD         |
| 34 | NC02-32-0016 | 2   | LOCK WASHER ZINC 5/8"                 |
| 35 | NC02-10-0022 | 2   | HEX. NUT ZINC 5/8-18                  |
| 36 | NC01-69-0786 | 1   | GREASE FITTING 1/4-28 X 45            |

**AGRIMETAL****SPIRAL DRIVE TRAIN GROUP**

CREATION : 09/04/18  
REVISION : 22/12/25

ASSEMBLY : **81-57-1505**  
AUTHOR : J.KABWE

| # | PART #       | Qty | TITLE                             |
|---|--------------|-----|-----------------------------------|
| 1 | 81-50-0070   | 1   | CHAIN GUARD                       |
| 2 | NC01-04-0107 | 6   | CARR. BOLT GR2 ZINC 3/8-16 X 3/4" |
| 3 | NC02-14-0019 | 6   | FLANGE NUT HEX. NC 3/8-16 GR. B   |

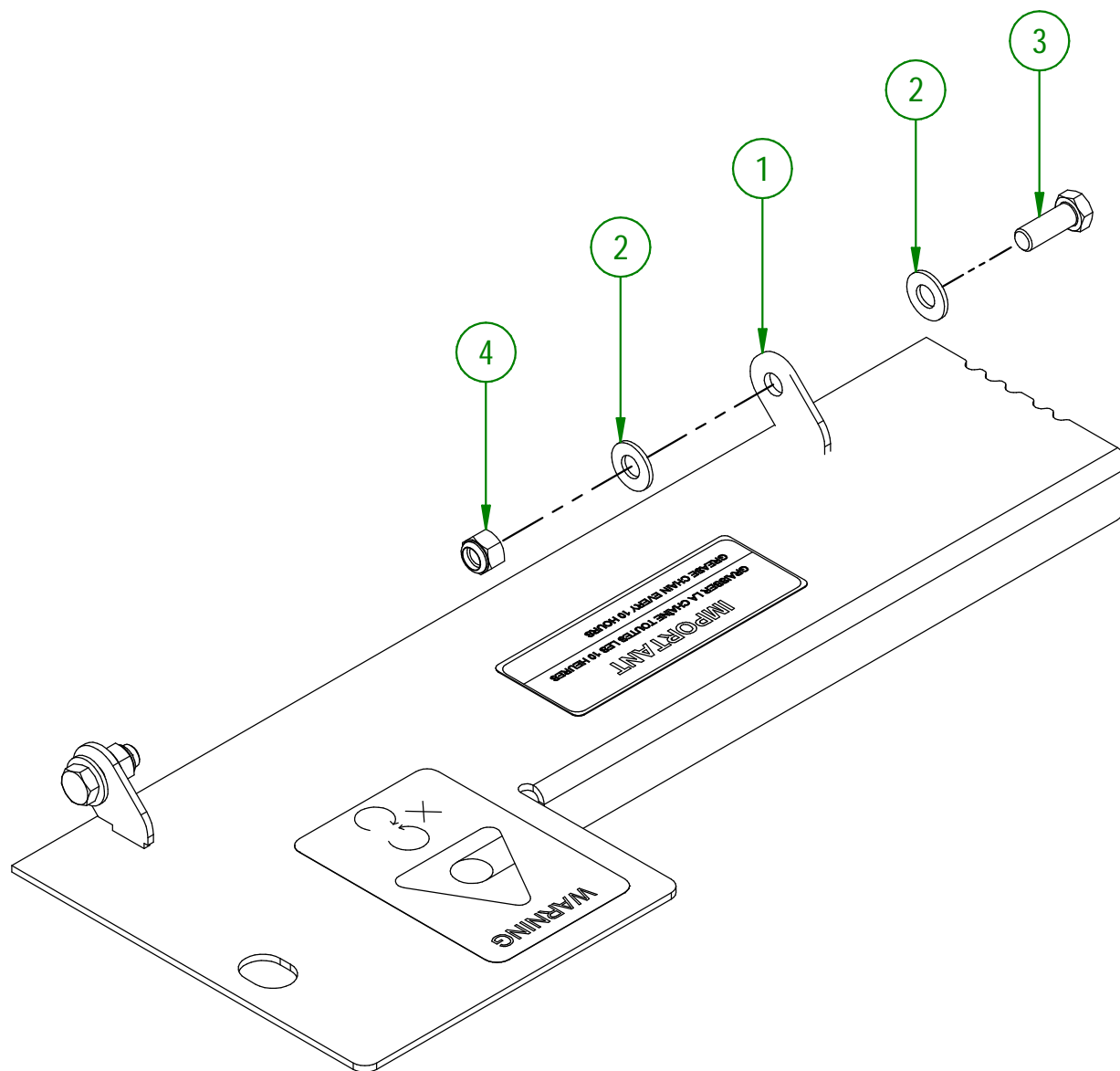
**AGRIMETAL**

SPIRAL CHAIN GUARD GROUP

CREATION : 19/07/16  
REVISION : 06/04/18ASSEMBLY : **81-57-0405**

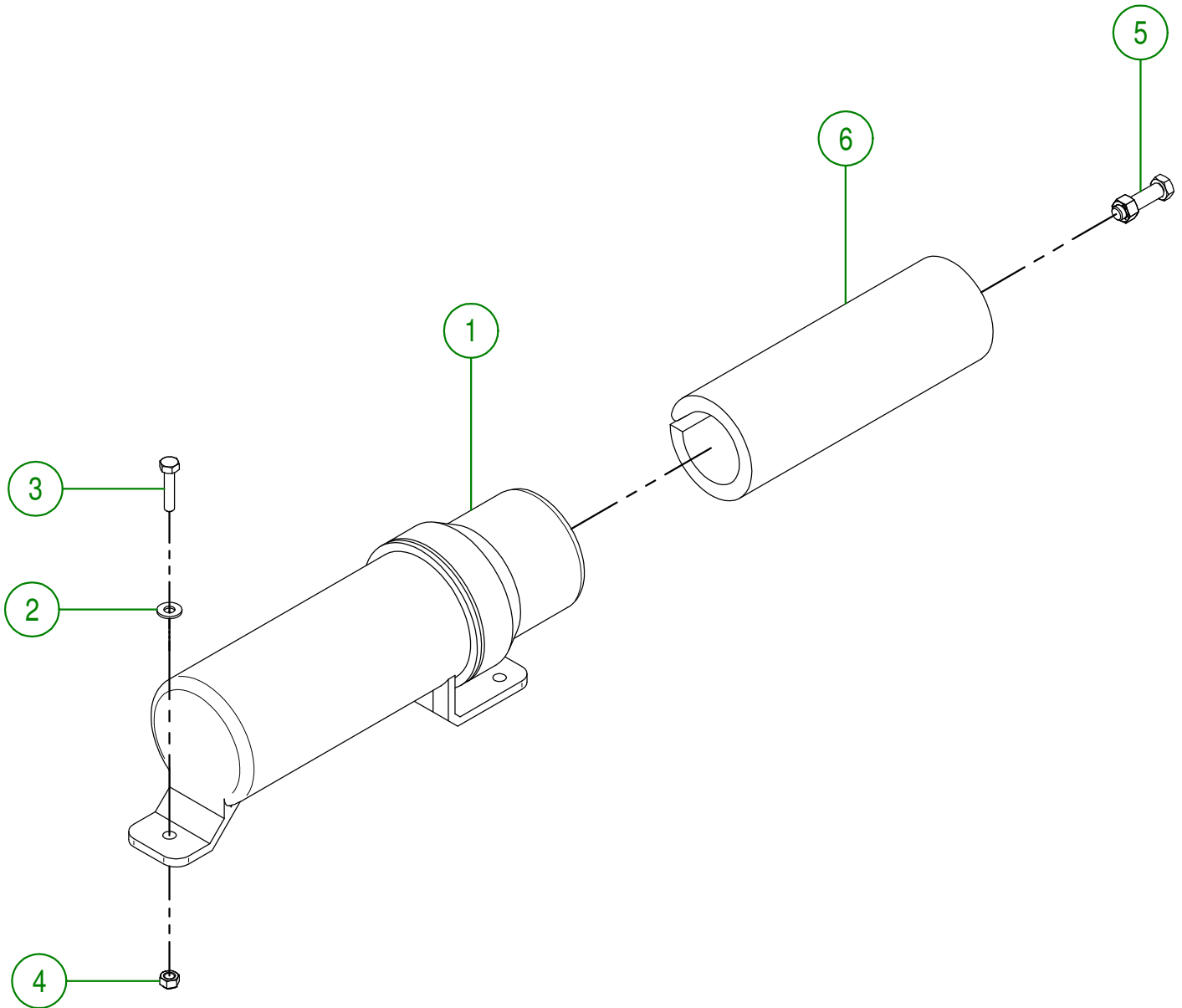
AUTHOR : J. HOULE Page 18 de 22

| # | PART #       | Qty | TITLE                               |
|---|--------------|-----|-------------------------------------|
| 1 | 81-57-5025   | 1   | CHAIN GUARD                         |
| 2 | NC02-26-1525 | 4   | WASHER INOX .406" D.I. X .815" D.E. |
| 3 | NC01-17-0114 | 2   | HEX. BOLT GR2 ZINC 3/8-16 X 1"      |
| 4 | NC01-96-0011 | 2   | NYLON NUT 3/8-16                    |

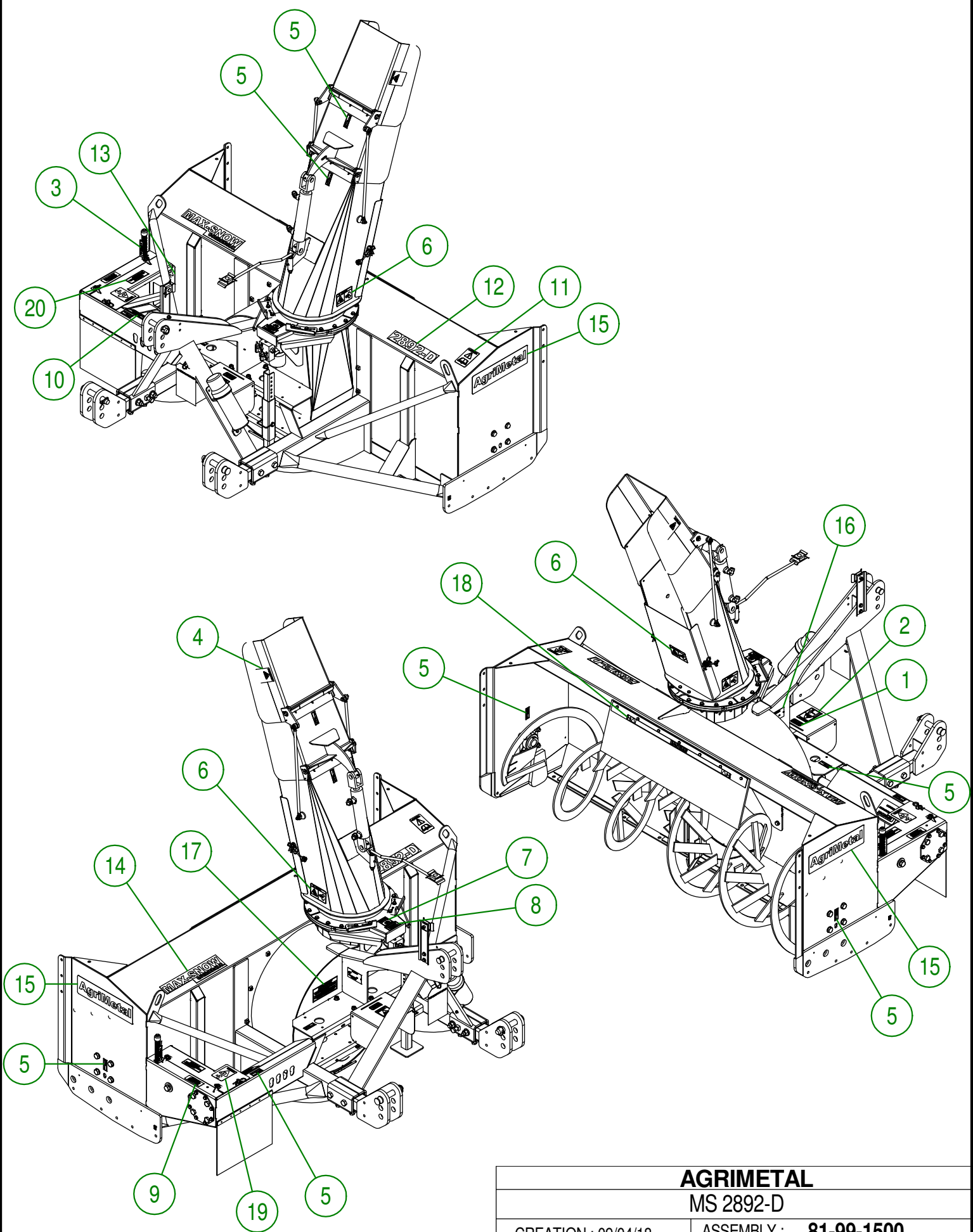


|                          |                              |
|--------------------------|------------------------------|
| <b>AGRIMETAL</b>         |                              |
| <b>CHAIN GUARD GROUP</b> |                              |
| CREATION : 09/04/18      | ASSEMBLY : <b>81-57-5040</b> |
| REVISION : 22/12/25      | AUTHOR : J.KABWE             |

| # | PART #       | Qty | TITLE                                 |
|---|--------------|-----|---------------------------------------|
| 1 | NCI3-30-0237 | 1   | PLASTIC TUBE FOR OPERATOR'S MANUAL    |
| 2 | NC02-25-0007 | 2   | WASHER ZINC 0.281 = 9/32              |
| 3 | NC01-17-0007 | 2   | HEX. BOLT GR2 ZINC 1/4-20 X 1 1/4"    |
| 4 | NC01-96-0009 | 2   | NYLON-INSERT LOCKNUT ZINC 1/4-20      |
| 5 | 81-57-0030   | 1   | SET OF 6 SHEAR BOLT WITH NUT          |
| 6 | 81-98-0521   | 1   | ENGLISH OPERATOR'S MANUAL (MS28 & 30) |



|                                     |                                   |
|-------------------------------------|-----------------------------------|
| <b>AGRIMETAL</b>                    |                                   |
| <b>OPERATOR'S MANUAL TUBE GROUP</b> |                                   |
| CREATION : 19/07/16                 | ASSEMBLY : <b>81-57-0400</b>      |
| REVISION : 08/05/18                 | AUTHOR : J. HOULE   Page 20 de 22 |



**AGRIMETAL**

MS 2892-D

CREATION : 09/04/18  
 REVISION : 19/11/19

ASSEMBLY : **81-99-1500**

AUTHOR : J.KABWE Page 21 de 22

| #  | PART #       | Qty | TITLE                                      |
|----|--------------|-----|--|
| 1  | NC13-33-0005 | 2   | STICKER MAXIMUM 540 RPM                    |
| 2  | NC13-33-0187 | 2   | STICKER DANGER (PTO AND PERSON)            |
| 3  | NC13-33-0344 | 1   | ADJUSTEMENT INDICATOR STICKER              |
| 4  | NC13-33-0192 | 2   | STICKER (PROJECTION RISK)                  |
| 5  | NC13-33-0024 | 6   | STICKER GREASE HERE                        |
| 6  | NC13-33-0249 | 3   | STICKER DANGER                             |
| 7  | NC13-33-0326 | 1   | STICKER DANGER (HAND)                      |
| 8  | NC13-33-0327 | 1   | STICKER END ROTATION ADJUSTMENT            |
| 9  | NC13-33-0248 | 1   | STICKER IMPORTANT 4 1/4 INCHES 110mm       |
| 10 | NC13-33-0281 | 1   | STICKER SHEAR BOLT                         |
| 11 | NC13-33-0183 | 1   | STICKER CAUTION OPERATION MANUAL           |
| 12 | NC13-33-0314 | 1   | STICKER 2892-D                             |
| 13 | NC13-33-0189 | 1   | STICKER DANGER (PERSON AND CHAIN DRIVE)    |
| 14 | NC13-33-0241 | 1   | STICKER MAX-SNOW COMMERCIAL                |
| 15 | NC13-33-0001 | 2   | STICKER AGRIMETAL                          |
| 16 | NC13-50-0086 | 1   | SERIAL NUMBER PLATE                        |
| 17 | NC13-33-0317 | 1   | STICKER GREASE DRIVE LINE TELESCOPIC SHAFT |
| 18 | NC13-33-0274 | 1   | STICKER DANGER                             |
| 19 | NC13-33-0283 | 1   | STICKER DANGER (PERSON AND CHAIN DRIVE)    |
| 20 | NC13-33-0343 | 1   | GREASE CHAIN EVERY 10 HOURS STICKER        |

**AGRIMETAL****MS 2892-D**

CREATION : 09/04/18  
 REVISION : 19/11/19

ASSEMBLY : **81-99-1500**  
 AUTHOR : J.KABWE | Page 22 de 22