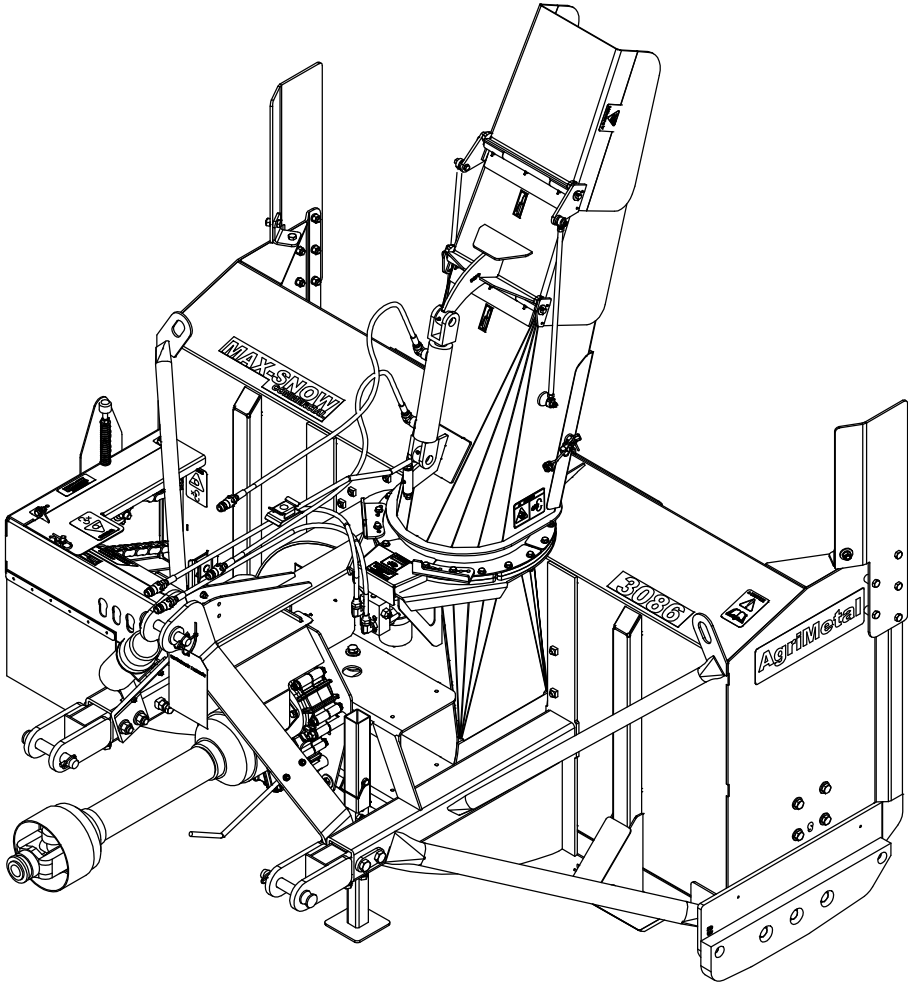


AgriMetal

PARTS LIST



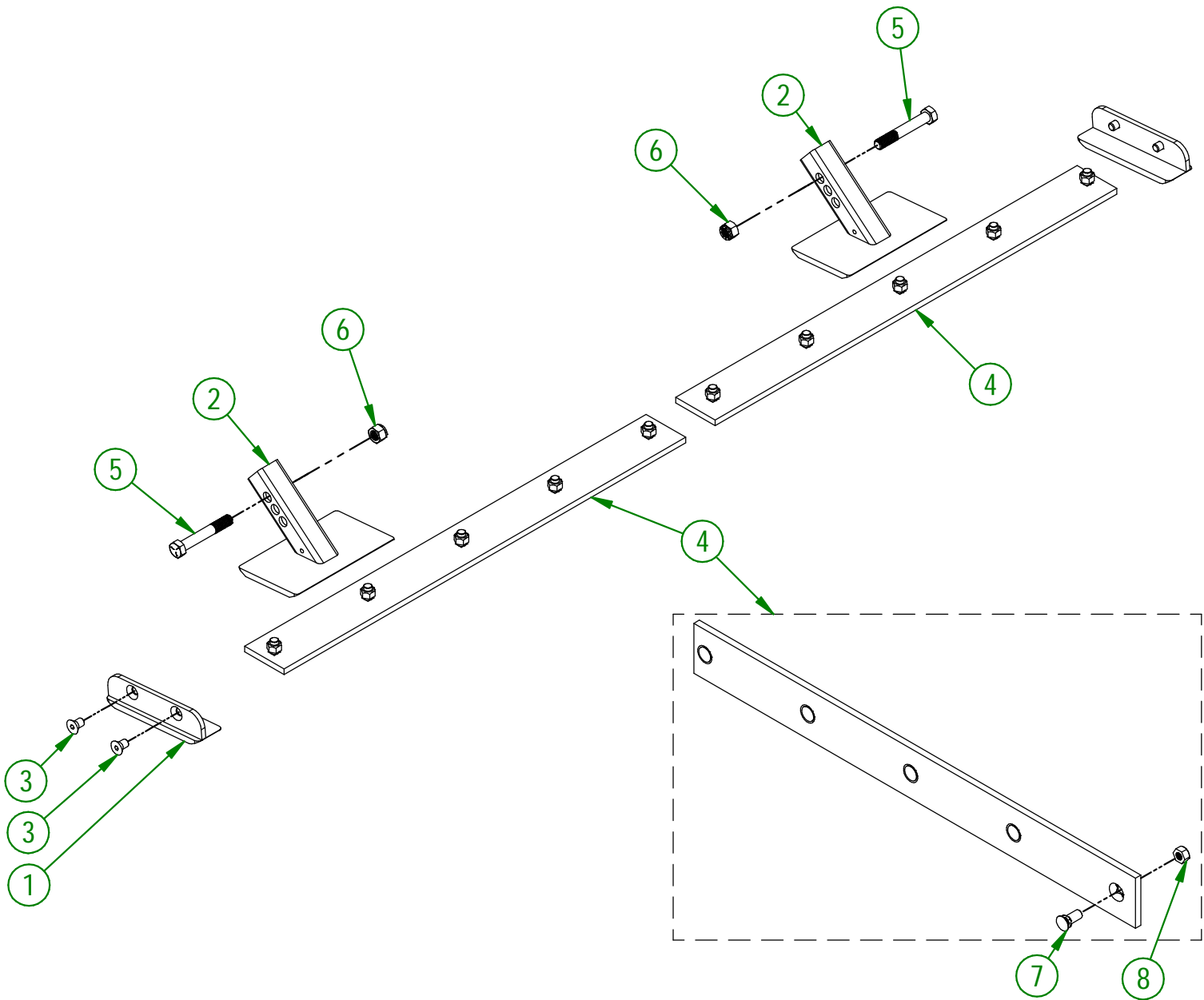
MS 3086

81-57-0200

| # | PART # | Qty | TITLE |
|---|--------------|-----|---|
| 1 | 80-50-0085 | 2 | LATERAL SKATE (#450 HARDNESS STEEL) |
| 2 | 81-50-0055 | 2 | ADJUSTABLE SKATE (#450 HARDNESS STEEL) |
| 3 | NC02-48-0586 | 4 | FLAT HEAD SOCKET CAP SCREW 5/8-11 X 1" LG |
| 4 | 81-57-0220 | 2 | KNIFE (#450 HARDNESS STEEL) GROUP (BOLTS AND NUTS INCLUDED) |
| 5 | NC01-25-0481 | 2 | HEX. BOLT GR5 NC 3/4-10 X 5" |
| 6 | NC01-96-0017 | 2 | HEX. LOCK NUT NYLO. NC 3/4-10 |

81-57-0220

| # | PART # | Qty | TITLE |
|---|--------------|-----|----------------------------------|
| 7 | NC01-09-0039 | 5 | PLOW BOLT GR5 5/8-11 X 1 1/2" LG |
| 8 | NC01-93-0016 | 5 | LOCK NUT ZINC 5/8-11 |



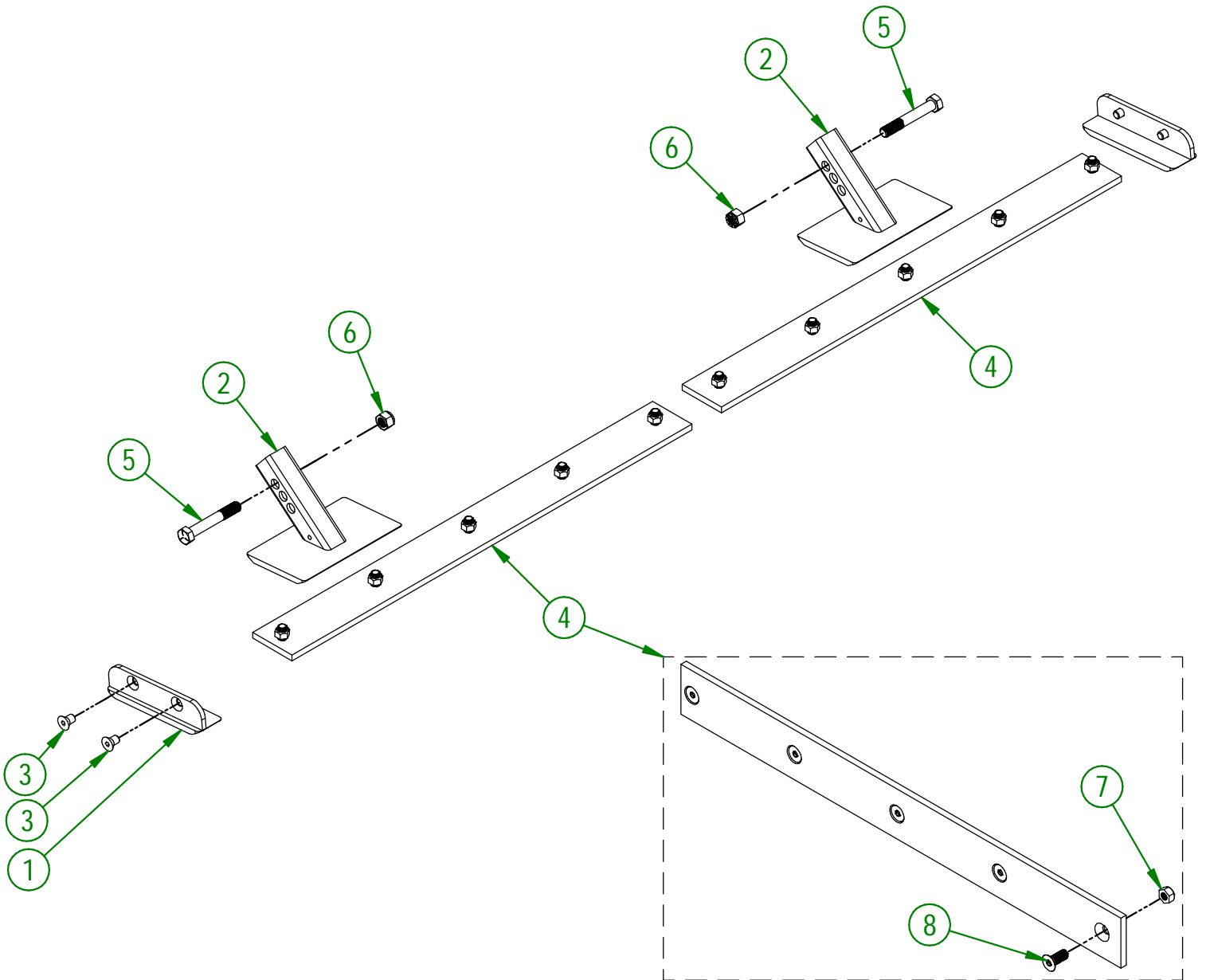
| | |
|--|------------------------------|
| AGRIMETAL | |
| SET OF KNIVES (#450 HARDNESS STEEL) | |
| CREATION : 18/07/16 | ASSEMBLY : 81-57-0200 |
| REVISION : 20/05/25 | AUTHOR : Dessin2 |

81-57-0210

| # | PART # | Qty | TITLE |
|---|--------------|-----|---|
| 1 | 80-50-0087 | 2 | LATERAL SKATE (STAINLESS STEEL) |
| 2 | 81-50-0058 | 2 | ADJUSTABLE SKATE (STAINLESS STEEL) |
| 3 | NC02-48-0586 | 4 | FLAT HEAD SOCKET CAP SCREW 5/8-11 X 1" LG |
| 4 | 81-57-0225 | 2 | KNIFE (STAINLESS STEEL) GROUP (BOLTS AND NUTS INCLUDED) |
| 5 | NC01-25-0481 | 2 | HEX. BOLT GR5 NC 3/4-10 X 5" |
| 6 | NC01-96-0017 | 2 | HEX. LOCK NUT NYLO. NC 3/4-10 |

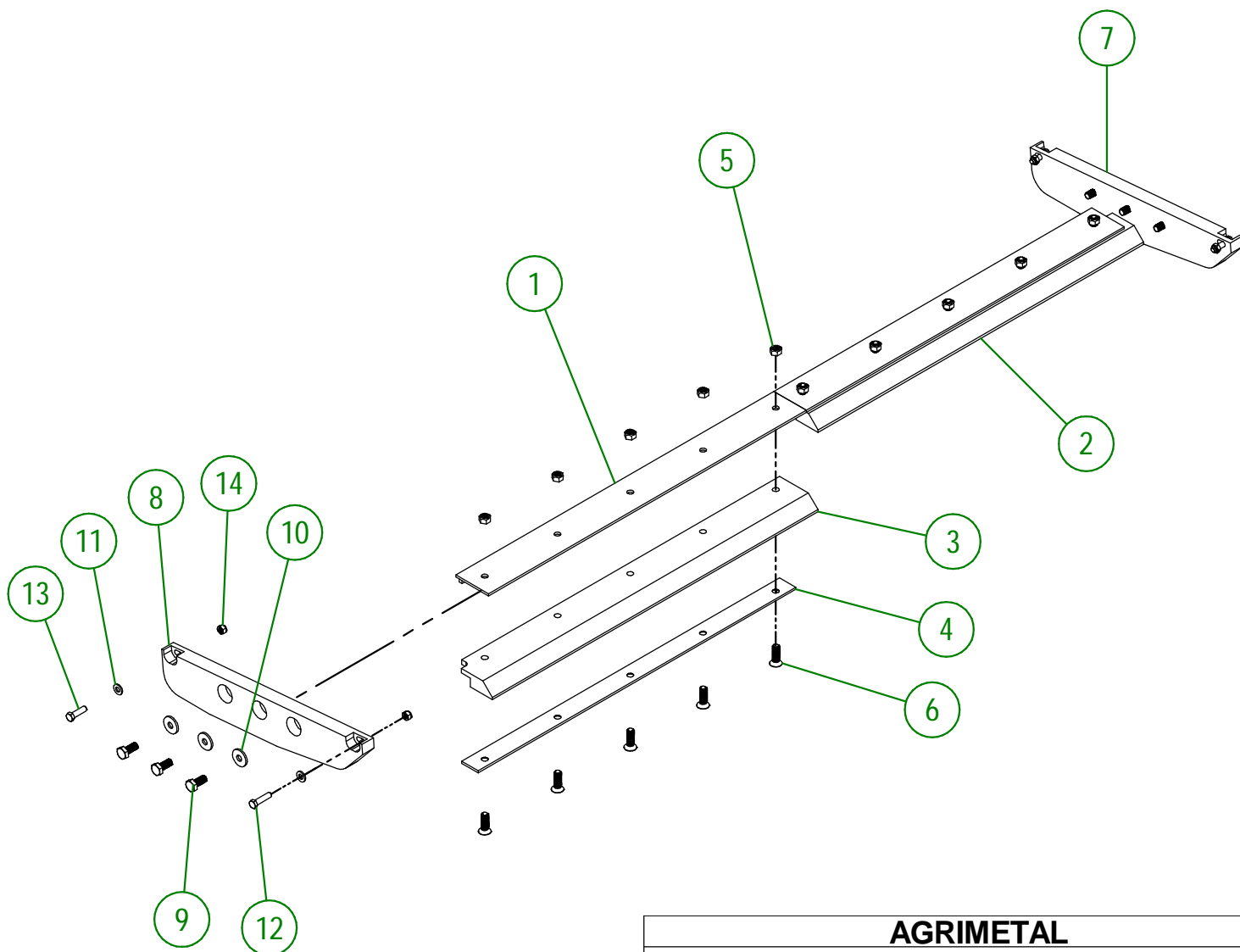
81-57-0225

| # | PART # | Qty | TITLE |
|---|--------------|-----|--|
| 7 | NC01-93-0016 | 5 | LOCK NUT ZINC 5/8-11 |
| 8 | NC02-48-0562 | 5 | FLAT HEAD SOCKET CAP SCREW STAINLESS 5/8-11 X 1 1/2" |



| | |
|--|------------------------------|
| AGRIMETAL | |
| SET OF KNIVES (STAINLESS STEEL) | |
| CREATION : 18/07/16 | ASSEMBLY : 81-57-0210 |
| REVISION : 20/05/25 | AUTHOR : Dessin2 |

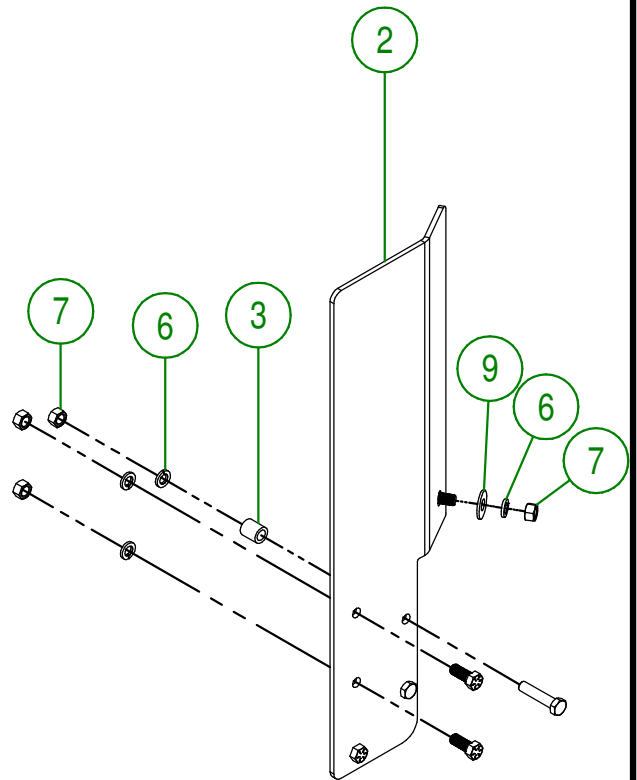
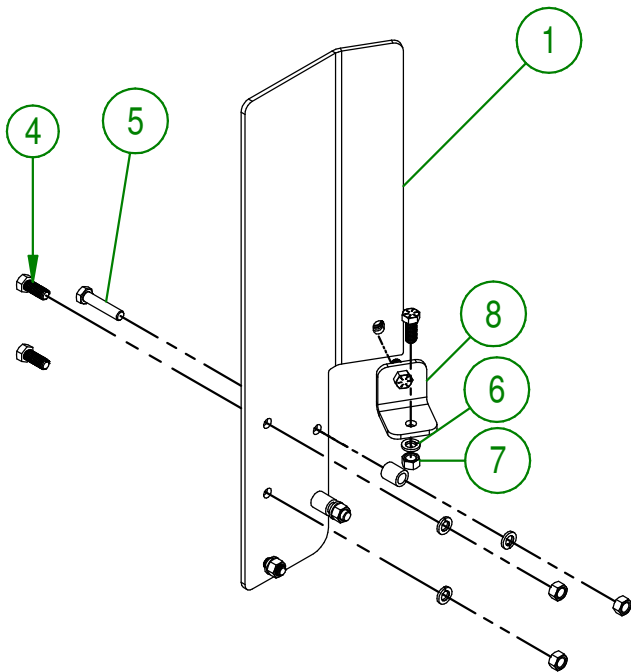
| # | PART # | Qty | TITLE |
|----|--------------|-----|---|
| 1 | 81-50-0200 | 2 | KNIFE BRACE (TOP) |
| 2 | 81-42-0100 | 1 | RIGHT KNIFE (UHMW) |
| 3 | 81-42-0101 | 1 | LEFT KNIFE (UHMW) |
| 4 | 81-04-0355 | 2 | KNIFE BRACE (UNDER) |
| 5 | NC01-93-0016 | 10 | LOCK NUT ZINC 5/8-11 |
| 6 | NC02-48-0564 | 10 | FLAT HEAD SOCKET CAP SCREW STAINLESS 5/8-11 X 2" LG |
| 7 | 81-42-0103 | 1 | LATERAL KNIFE (RIGHT) |
| 8 | 81-42-0104 | 1 | LATERAL KNIFE (LEFT) |
| 9 | NC01-17-0394 | 6 | HEX. BOLT GR2 ZINC 5/8-11 X 1 1/2" |
| 10 | 80-04-0185 | 6 | WASHER |
| 11 | NC02-25-0011 | 4 | WASHER SAE ZINC 17/32 ID |
| 12 | NC01-17-0251 | 2 | HEX. BOLT GR2 ZINC 1/2-13 X 2" |
| 13 | NC01-17-0250 | 2 | HEX. BOLT GR2 ZINC 1/2-13 X 1 3/4" |
| 14 | NC01-93-0014 | 4 | LOCK NUT ZINC 1/2-13 |



| | |
|-----------------------------|------------------------------|
| AGRIMETAL | |
| SET OF KNIVES (UHMW) | |
| CREATION : 18/07/16 | ASSEMBLY : 81-57-0205 |
| REVISION : 27/09/23 | AUTHOR : J. HOULE |

81-57-0215

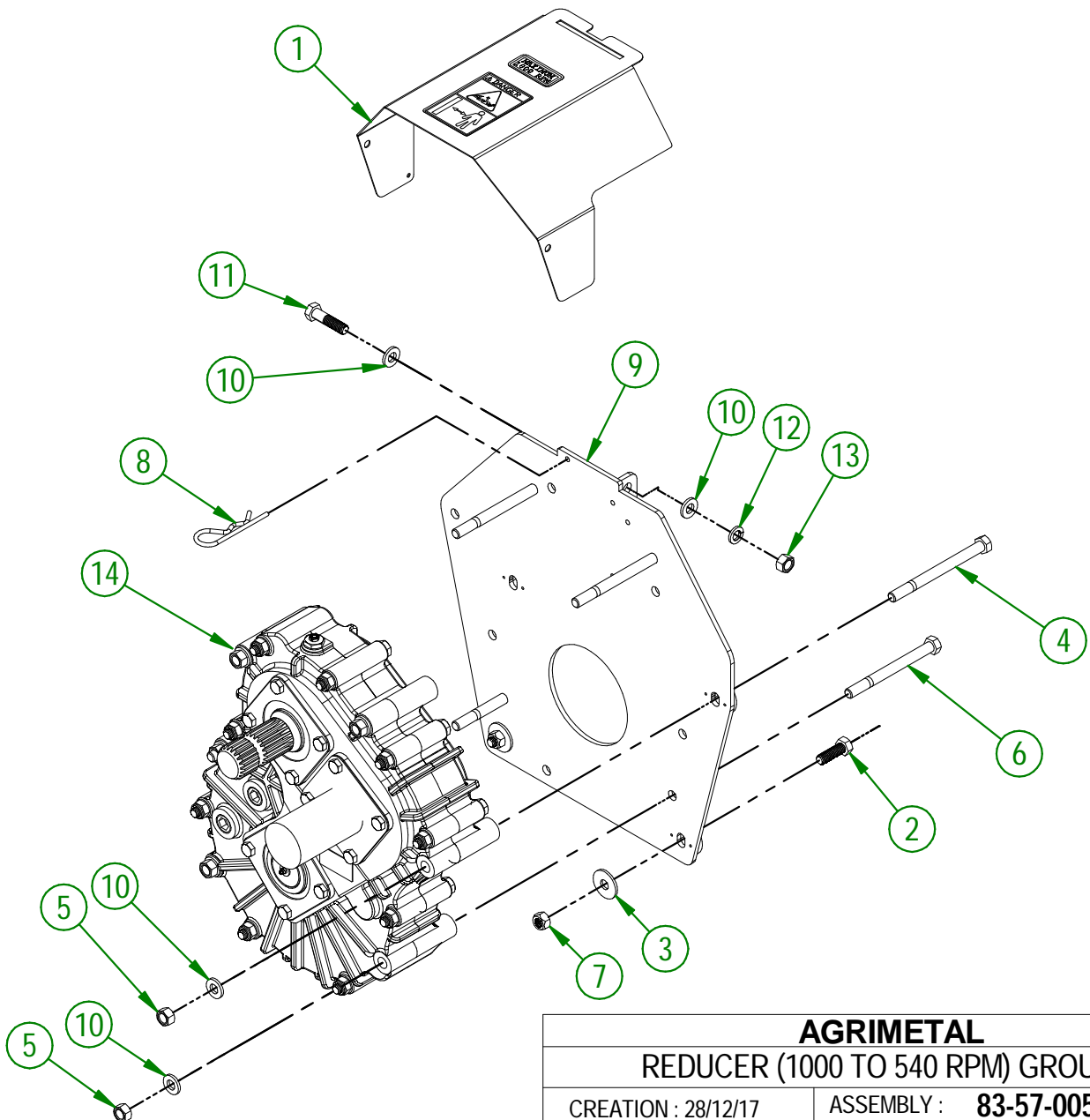
| # | PART # | Qty | TITLE |
|---|--------------|-----|---|
| 1 | 81-20-0337 | 1 | LATERAL CUTTER BLADES (LEFT) |
| 2 | 81-20-0335 | 1 | LATERAL CUTTER BLADES (RIGHT) |
| 3 | 81-10-0000 | 4 | LATERAL CUTTER BLADES BUSHING |
| 4 | NC01-33-0248 | 10 | HEX. BOLT .GR8 NC ZINC 1/2-13 X 1 1/4" |
| 5 | NC01-33-0514 | 4 | HEX. BOLT GR8 ZINC 1/2-13 X 2 1/4" |
| 6 | NC02-32-0014 | 14 | LOCK WASHER ZINC 1/2" |
| 7 | NC02-07-0020 | 14 | HEX. NUT ZINC 1/2-13 |
| 8 | 81-04-0525 | 2 | LATERAL KNIFE REINFORCE |
| 9 | NC02-22-0012 | 2 | WASHER ZINC 1/2 BOLT = 9/16"Ø X 1 3/8" OD |



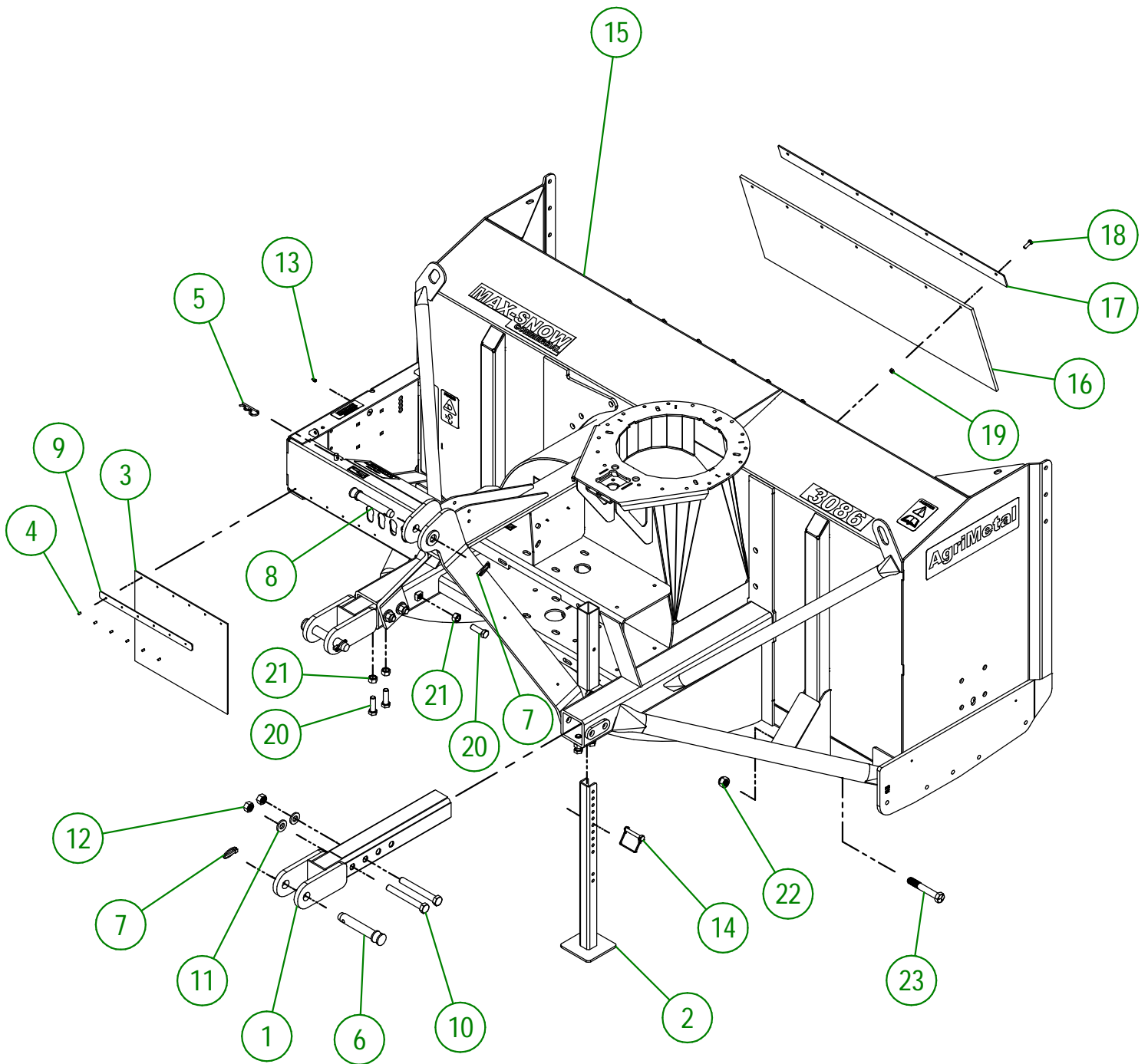
| | |
|------------------------------|------------------------------|
| AGRIMETAL | |
| LATERAL CUTTER BLADES | |
| CREATION : 24/11/17 | ASSEMBLY : 81-57-0215 |
| REVISION : 06/12/21 | AUTHOR : J. Houle |

83-57-0050

| # | PART # | Qty | TITLE |
|----|--------------|-----|---|
| 1 | 83-57-0055 | 1 | PTO GUARD "INCL. STICKER" |
| 2 | NC01-33-0249 | 2 | CAP SCREW GR8 NC ZINC 1/2-13 X 1 1/2" LG |
| 3 | NC02-22-0012 | 2 | WASHER ZINC 1/2 BOLT = 9/16"Ø X 1 3/8" OD |
| 4 | NC01-37-0267 | 2 | HEX. BOLT GR8 ZINC 1/2-20 X 6" LG |
| 5 | NC01-94-0013 | 6 | NYLON NUT ZINC 1/2-20" |
| 6 | NC01-37-0265 | 4 | HEX. BOLT GR8 ZINC 1/2-20 X 5 1/2" LG |
| 7 | NC01-93-0014 | 2 | LOCK NUT ZINC 1/2-13 |
| 8 | NC01-63-0027 | 1 | HAIRPIN COTTER |
| 9 | 83-50-0125 | 1 | GEARBOX REDUCER SUPPORT |
| 10 | NC02-25-0011 | 10 | WASHER SAE ZINC 17/32 ID |
| 11 | NC01-25-0251 | 2 | HEX.BOLT GR5 NC ZINC 1/2-13 X 2" |
| 12 | NC02-32-0014 | 2 | LOCK WASHER ZINC 1/2" |
| 13 | NC02-07-0020 | 2 | HEX. NUT ZINC 1/2-13 |
| 14 | 83-55-0100 | 1 | SPEED REDUCER 1000 TO 540 RPM |



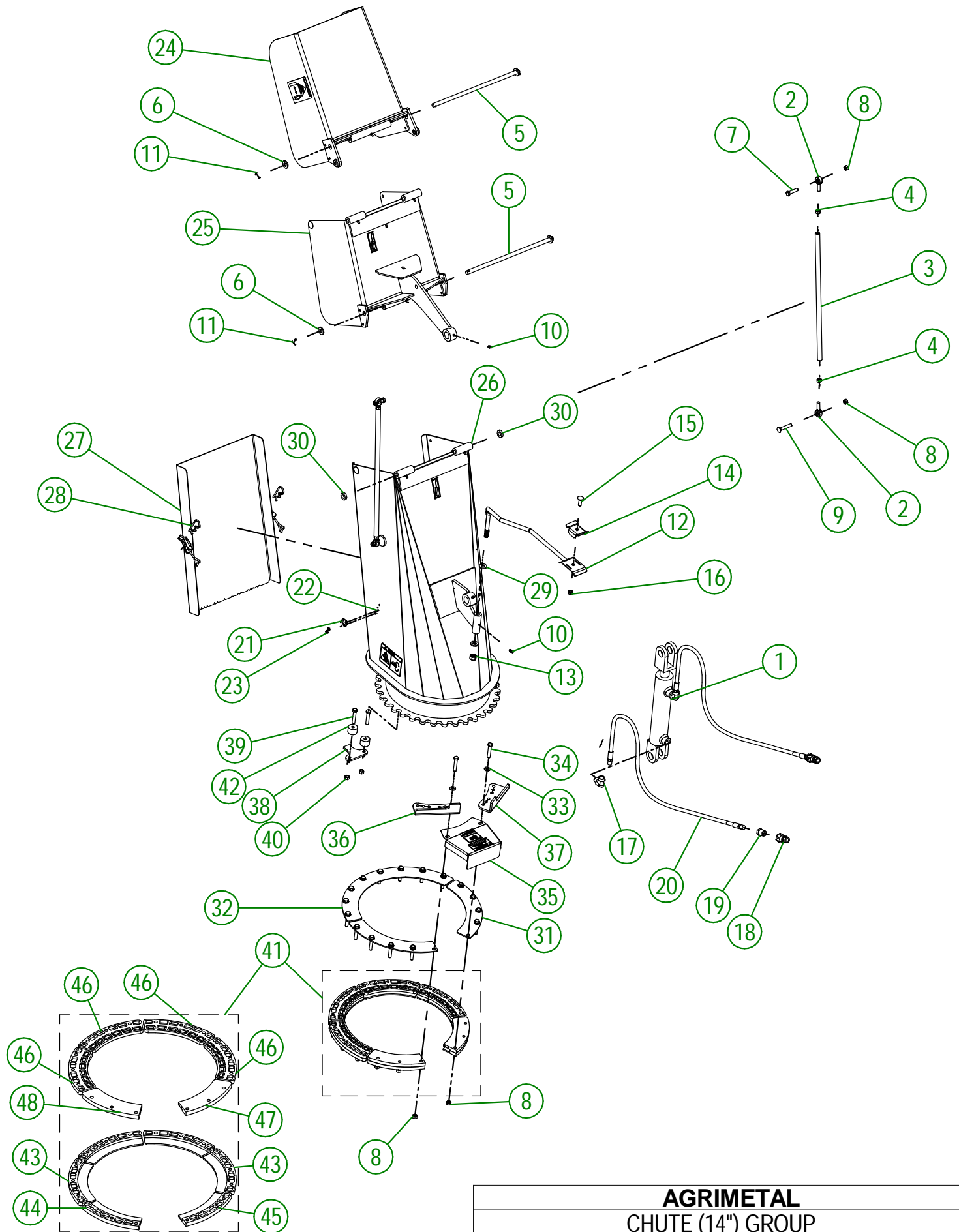
| | |
|--|------------------------------|
| AGRIMETAL | |
| REDUCER (1000 TO 540 RPM) GROUP | |
| CREATION : 28/12/17 | ASSEMBLY : 83-57-0050 |
| REVISION : 02/07/25 | AUTHOR : F.HÉLIE |



| | |
|---------------------|------------------------------|
| AGRIMETAL | |
| FRAME GROUP | |
| CREATION : 20/07/16 | ASSEMBLY : 83-57-0440 |
| REVISION : 06/01/26 | AUTHOR : Dessin2 |

83-57-0440

| # | PART # | Qty | TITLE |
|----|--------------|-----|---|
| 1 | 81-50-0100 | 2 | 3 POINT HITCH |
| 2 | 81-50-0090 | 1 | STAND |
| 3 | NC13-15-0300 | 1 | SNOW GUARD |
| 4 | NC01-78-0041 | 6 | POP RIVET STAINLESS STEEL ROD STEEL .187" X .690" |
| 5 | NC01-63-0026 | 1 | COTTER PIN ZC 5/32" X 3" |
| 6 | 48-20-0065 | 2 | 3 POINT PIN |
| 7 | NC01-69-1100 | 3 | LINCH PIN 3/8" |
| 8 | 48-20-0060 | 1 | 3 POINT PIN |
| 9 | 80-01-1075 | 1 | SNOW GUARD BRACE |
| 10 | NC01-33-0482 | 4 | HEX. BOLT GR8 ZINC 3/4-10 X 6" |
| 11 | 22-04-6805 | 4 | FLAT WASHER BEARING BASE |
| 12 | NC01-93-0017 | 4 | HEX. LOCKNUT STEEL NC Z 3/4-10 |
| 13 | NC01-69-0785 | 1 | STRAIGHT GREASE FITTING 1/4-28 |
| 14 | NC01-69-1306 | 1 | LOCKING PIN 3/8" X 2 1/2" LG |
| 15 | 83-57-0000 | 1 | FRAME |
| 16 | NC13-15-0322 | 1 | RUBBER |
| 17 | 81-57-0250 | 1 | RUBBER REINFORCEMENT |
| 18 | NC01-17-0060 | 7 | HEX. BOLT GR2 ZINC 5/16-18 X 1" |
| 19 | NC01-93-0010 | 7 | LOCK NUT ZINC 5/16-18 |
| 20 | NC01-17-0396 | 6 | HEX. BOLT GR2 ZINC 5/8-11 X 2" |
| 21 | NC02-07-0022 | 6 | HEX. NUT ZINC 5/8-11 |
| 22 | NC01-96-0017 | 2 | HEX. LOCK NUT NYLO. NC 3/4-10 |
| 23 | NC01-25-0481 | 2 | HEX. BOLT GR5 NC 3/4-10 X 5" |



AGRIMETAL
CHUTE (14'') GROUP

CREATION : 12/04/19
 REVISION : 22/12/25

ASSEMBLY : **81-57-0331**
 AUTHOR : dessin3

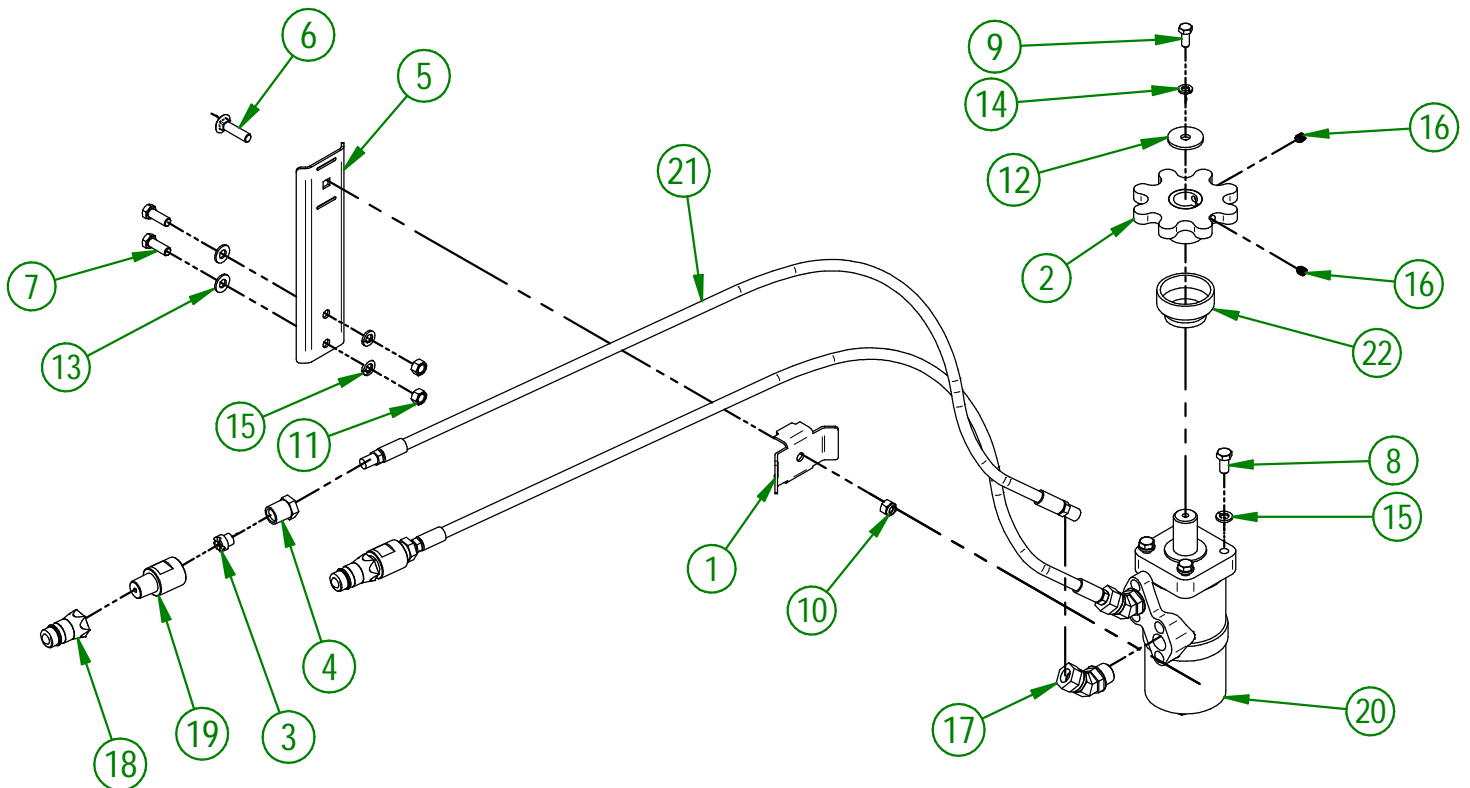
81-57-0331

| # | PART# | QTY | TITLE |
|----|--------------|-----|---|
| 1 | NC13-45-0404 | 1 | HYDRAULIC CYLINDER 6" |
| 2 | NC01-67-0304 | 4 | ROD END 3/8-24 |
| 3 | 48-13-0600 | 2 | CHUTE ROD (DOUBLE) |
| 4 | NC02-10-0018 | 4 | NUT 3/8-24 |
| 5 | 81-20-0250 | 2 | PIVOT |
| 6 | NC02-25-0011 | 4 | WASHER SAE ZINC 17/32 ID |
| 7 | NC01-25-0116 | 2 | HEX. BOLT GR5 ZINC 3/8-16 X 1 1/2" |
| 8 | NC01-93-0011 | 22 | LOCK NUT 3/8-16 |
| 9 | NC01-07-0113 | 2 | CARR. BOLT GR5 ZINC 3/8-16 X 2" LG |
| 10 | NC01-69-0785 | 9 | STRAIGHT GREASE FITTING 1/4-28 |
| 11 | NC01-69-0139 | 4 | COTTER PIN ZINC 1/8" X 3/4" |
| 12 | 48-50-1030 | 1 | HYDRAULIC HOSE SUPPORT |
| 13 | NC01-96-0014 | 1 | NYLON-INSERT LOCKNUT ZINC 1/2-13 |
| 14 | 48-01-7530 | 1 | HYDRAULIC HOSE SUPPORT |
| 15 | NC01-04-0110 | 1 | CARR. BOLT GR2 ZINC 3/8-16 X 1 1/4" |
| 16 | NC01-96-0011 | 1 | NYLON NUT 3/8-16 |
| 17 | NC13-45-0038 | 2 | ELBOW 90 3/8 FEM. NPT X 3/8 MALE NPT |
| 18 | NC13-45-0369 | 2 | QUICK COUPLER 1/2-14 NPTF |
| 19 | NC13-45-0153 | 2 | HEX. REDUCER 1/4 NPT X 1/2 NPT |
| 20 | NC17-02-0347 | 2 | HYDRAULIC HOSE (111" LG) |
| 21 | NC01-63-0052 | 2 | ADJUSTABLE LATCH (STRIKE) |
| 22 | NC02-40-0080 | 4 | MACHINE SCREWS SQUARE SOCKET #10-24 X 1/2" LG |
| 23 | NC01-96-0006 | 4 | NYLON NUT ZINC 3/16 |
| 24 | 81-57-0321 | 1 | CHUTE (TOP SECTION) |
| 25 | 81-57-0311 | 1 | CHUTE (MIDDLE SECTION) |
| 26 | 81-57-0302 | 1 | CHUTE (BOTTOM SECTION) |
| 27 | 81-57-0353 | 1 | CHUTE DOOR |
| 28 | NC01-63-0026 | 2 | COTTER PIN ZC 5/32" X 3" |
| 29 | NC02-25-0011 | 2 | WASHER SAE ZINC 17/32 ID |
| 30 | NC13-15-0334 | 2 | PIVOT WASHER |
| 31 | 48-01-1165 | 2 | BRACE |
| 32 | 48-01-1167 | 1 | BRACE |
| 33 | NC02-26-1525 | 18 | WASHER INOX .406" D.I. X .815" D.E. |
| 34 | NC01-17-0118 | 18 | HEX. BOLT GR2 ZINC 3/8-16 X 2" |
| 35 | 80-57-0550 | 1 | SPROCKET GUARD GROUP "STICKER INCLUDED" |
| 36 | 81-04-0175 | 1 | ADJUSTABLE STOPPER |
| 37 | 81-04-0177 | 1 | ADJUSTABLE STOPPER |
| 38 | 84-04-0170 | 1 | STOPPER |
| 39 | NC01-37-0118 | 2 | HEX. BOLT GR8 ZINC 3/8-24 X 2" |
| 40 | NC01-94-0011 | 2 | LOCK NUT 3/8-24 |
| 41 | 81-57-0550 | 1 | CHUTE GUIDE GROUP |
| 42 | 81-21-0040 | 2 | ADJUSTABLE STOPPER SPACER |

81-57-0550

| # | PART# | QTY | TITLE |
|----|--------------|-----|---------------------|
| 43 | NC17-46-0025 | 4 | CHUTE GUIDE (UNDER) |
| 44 | 48-42-0305 | 1 | CHUTE GUIDE (UNDER) |
| 45 | 48-42-0310 | 1 | CHUTE GUIDE (UNDER) |
| 46 | NC17-46-0026 | 4 | CHUTE GUIDE (TOP) |
| 47 | 48-42-0320 | 1 | CHUTE GUIDE (TOP) |
| 48 | 48-42-0315 | 1 | CHUTE GUIDE (TOP) |

| # | PART # | Qty | TITLE |
|----|--------------|-----|--|
| 1 | 48-01-7527 | 1 | HYDRAULIC HOSE SUPPORT |
| 2 | 48-50-1025 | 1 | HYDRAULIC ENGINE SPROCKET |
| 3 | 80-13-0100 | 2 | HYDRAULIC RESTRICTOR |
| 4 | 80-45-0000 | 2 | HEX. REDUCER 1/4 NPT X 1/2 NPT |
| 5 | 81-01-7600 | 1 | HYDRAULIC HOSE SUPPORT |
| 6 | NC01-07-0111 | 1 | CARR. BOLT GR5 ZINC 3/8-16 X 1 1/2" |
| 7 | NC01-17-0114 | 2 | HEX. BOLT GR2 ZINC 3/8-16 X 1" |
| 8 | NC01-33-0113 | 4 | HEX.BOLT GR8 ZINC 3/8-16 X 3/4" |
| 9 | NC01-45-0184 | 1 | HEX. BOLT GR8.8 ZINC 8MM X 20MM |
| 10 | NC01-96-0011 | 1 | NYLON NUT 3/8-16 |
| 11 | NC02-07-0018 | 2 | HEX. NUT ZINC 3/8-16 |
| 12 | NC02-26-0504 | 1 | WASHER |
| 13 | NC02-26-1525 | 2 | WASHER INOX .406" D.I. X .815" D.E. |
| 14 | NC02-32-0011 | 1 | LOCK WASHER ZINC 5/16" |
| 15 | NC02-32-0012 | 6 | LOCK WASHER ZINC 3/8" |
| 16 | NC02-44-0103 | 2 | SET SCREW 5/16-18 X 3/8" |
| 17 | NC13-45-0367 | 2 | 45°-7/8-14 MALE O RING X 1/2 FEM.TOUR.NPT PT |
| 18 | NC13-45-0369 | 2 | QUICK COUPLER 1/2-14 NPTF |
| 19 | NC13-45-0378 | 2 | HYDRAULIC RESTRICTOR BUSHING |
| 20 | NC14-45-0156 | 1 | HYDRAULIC MOTOR |
| 21 | NC17-02-0328 | 2 | HYDRAULIC HOSE (63" LG) |
| 22 | NC17-46-0031 | 1 | HYDRAULIC MOTOR BUSHING |

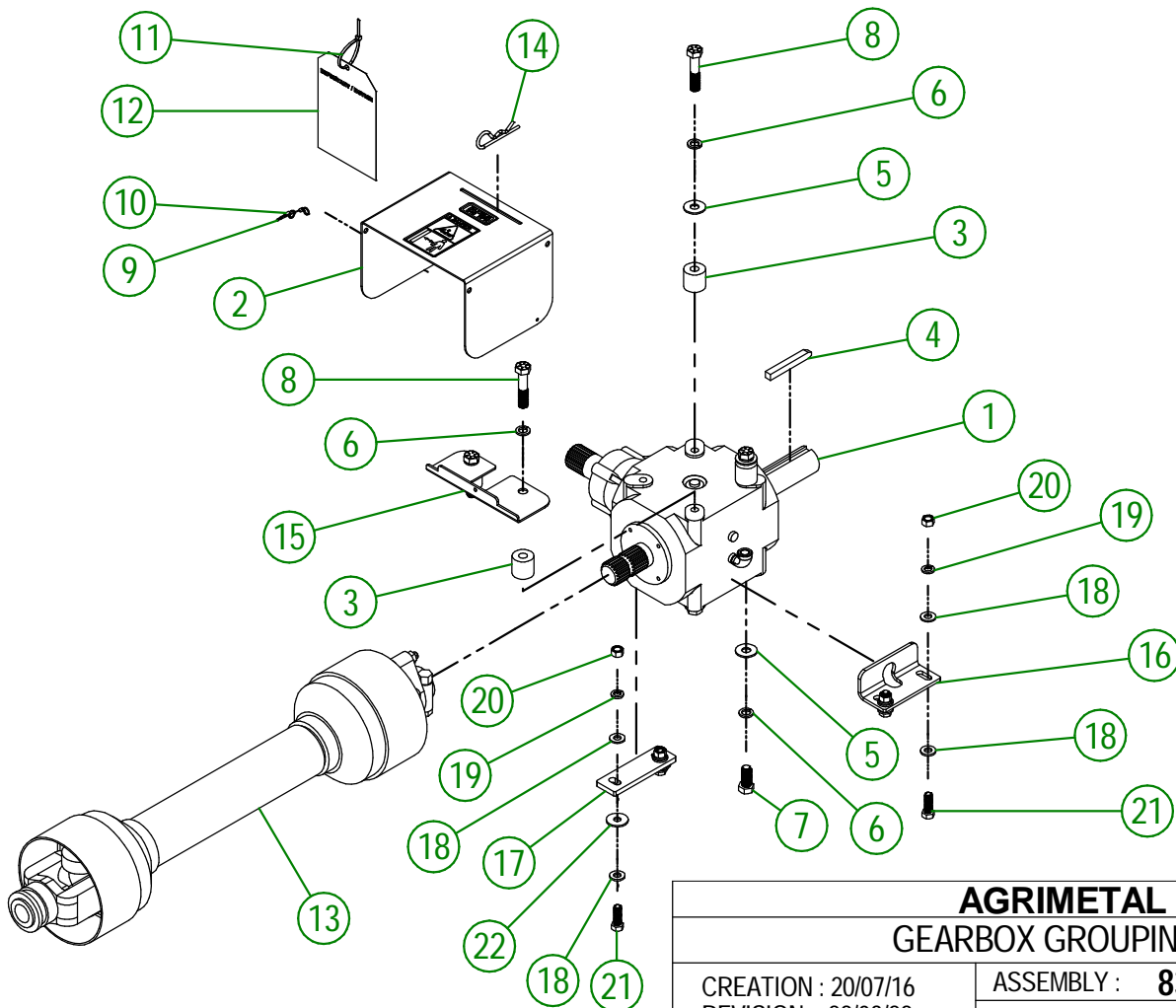


AGRIMETAL
HYDRAULIC MOTOR GROUP

CREATION : 15/04/19
REVISION : 25/03/26

ASSEMBLY : **83-57-0410**
AUTHOR : F.HÉLIE

| # | PART # | Qty | TITLE |
|----|--------------|-----|---|
| 1 | 83-55-0010 | 1 | GEAR BOX ASSY. |
| 2 | 81-57-0040 | 1 | PTO GUARD |
| 3 | 83-21-0000 | 4 | TRANSMISSION BUSHING |
| 4 | 83-41-0900 | 1 | IMPELLER KEY |
| 5 | NC02-22-0013 | 6 | WASHER ZINC 5/8 ID X 1 1/2 OD |
| 6 | NC02-32-0016 | 8 | LOCK WASHER ZINC 5/8" |
| 7 | NC01-33-0394 | 4 | HEX. BOLT GR8 NC ZINC 5/8-11 X 1 1/2" LG. |
| 8 | NC01-33-0400 | 4 | CAP SCREW GR8 NC ZINC 5/8-11 X 3" LG |
| 9 | 80-41-0135 | 1 | PTO GUARD STEEL CABLE |
| 10 | NC01-64-0005 | 2 | OVAL SLEEVE (ALUMINUM) |
| 11 | NC13-25-0019 | 1 | BLACK TIE RAP |
| 12 | NC13-50-0110 | 1 | IMPORTANT/NOTICE PTO POSTER |
| 13 | 83-34-0030 | 1 | PTO SHAFT T90 |
| 14 | NC01-63-0027 | 1 | HAIRPIN COTTER |
| 15 | 83-01-0170 | 1 | PTO GUARD SUPPORT |
| 16 | 80-04-0485 | 1 | GEARBOX BRACE |
| 17 | 80-04-0480 | 1 | GEARBOX BRACE |
| 18 | NC02-25-0011 | 8 | WASHER SAE ZINC 17/32 ID |
| 19 | NC02-32-0014 | 4 | LOCK WASHER ZINC 1/2" |
| 20 | NC02-07-0020 | 4 | HEX. NUT ZINC 1/2-13 |
| 21 | NC01-33-0249 | 4 | CAP SCREW GR8 NC ZINC 1/2-13 X 1 1/2" LG |
| 22 | 01-01-1660 | 2 | WASHER SPACER |

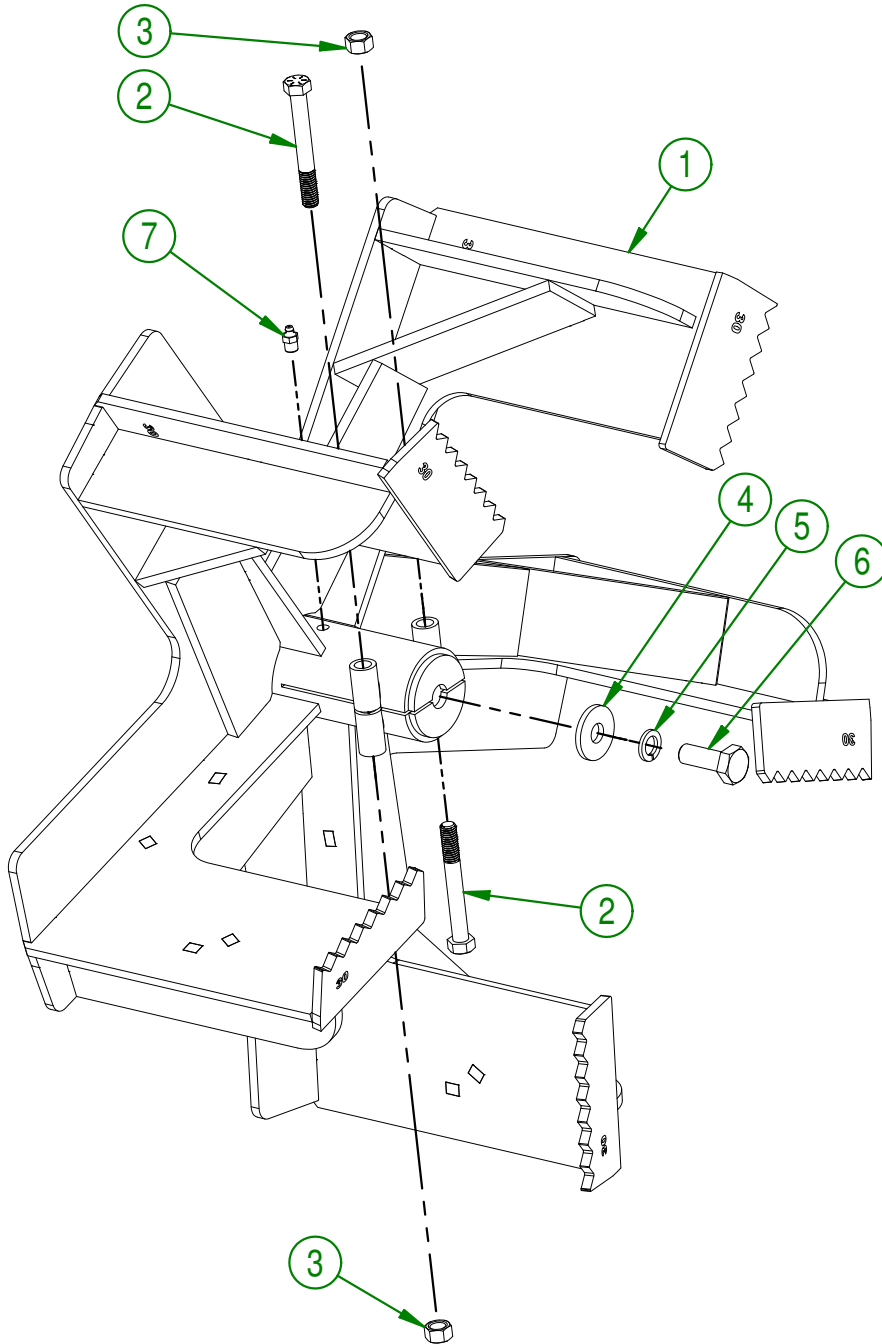


AGRIMETAL
GEARBOX GROUPING

CREATION : 20/07/16
REVISION : 28/03/22

ASSEMBLY : **83-57-0430**
AUTHOR : Dessin2

| # | PART # | Qty | TITLE |
|---|--------------|-----|---------------------------------------|
| 1 | 83-50-0050 | 1 | IMPELLER |
| 2 | NC01-37-0259 | 2 | HEX. BOLT GR8 NF ZINC 1/2-20 X 4" LG |
| 3 | NC01-94-0013 | 2 | NYLON NUT ZINC 1/2-20" |
| 4 | 80-04-0185 | 1 | WASHER |
| 5 | NC02-32-0016 | 1 | LOCK WASHER ZINC 5/8" |
| 6 | NC01-25-0395 | 1 | HEX. BOLT GR5 ZINC 5/8-11 X 1 3/4" LG |
| 7 | NC01-69-0791 | 1 | GREASE FITTING 1/8 NPT STRAIGHT |



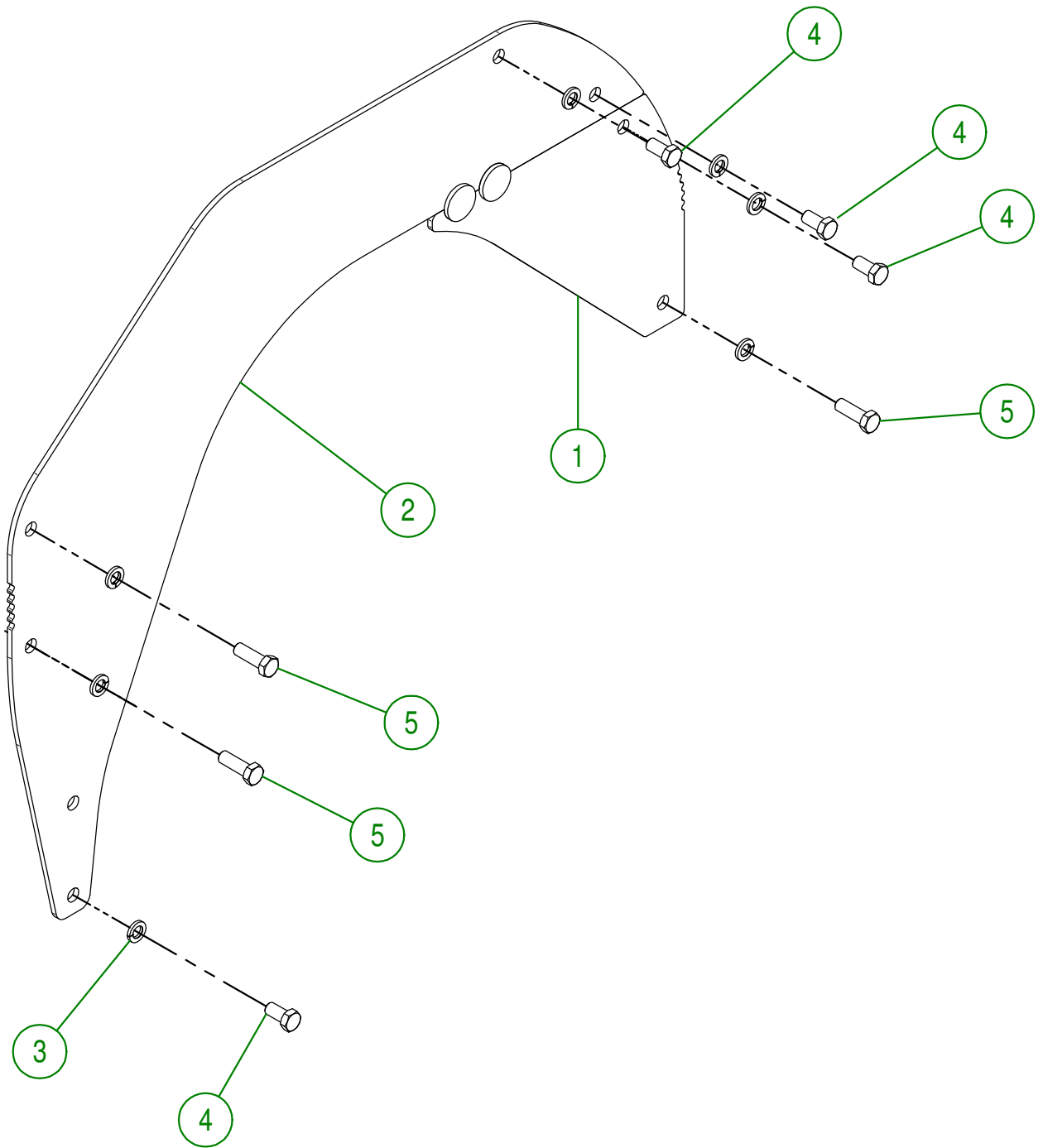
AGRIMETAL
IMPELLER GROUP

CREATION : 11/05/18
 REVISION : 26/02/19

ASSEMBLY : **83-57-0426**

AUTHOR : Dessin2 Page 12 de 21

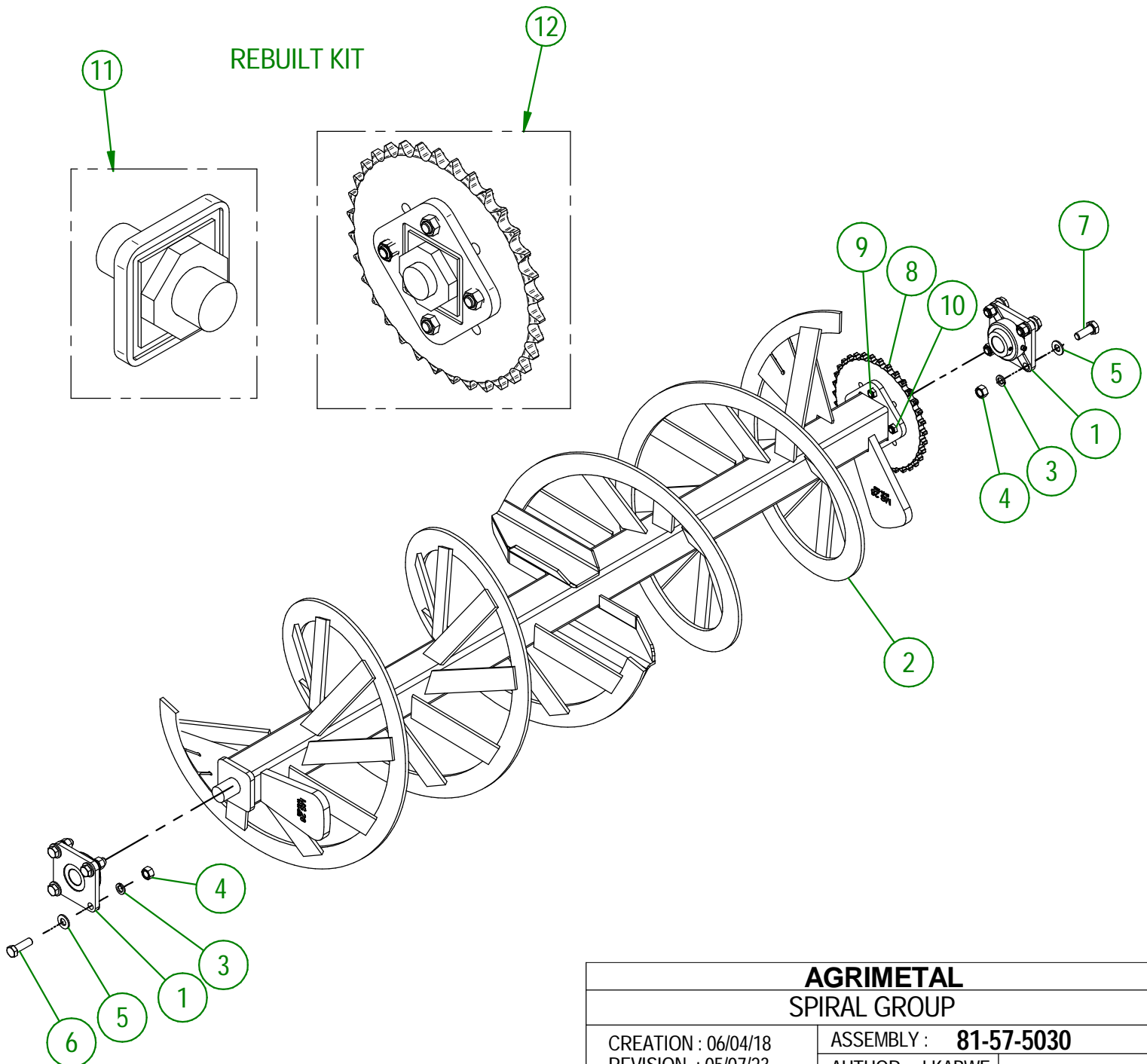
| # | PART # | Qty | TITLE |
|---|--------------|-----|---------------------------------------|
| 1 | 83-50-0113 | 1 | RIGHT SNOW GUARD |
| 2 | 83-50-0111 | 1 | LEFT SNOW GUARD |
| 3 | NC02-32-0014 | 7 | LOCK WASHER ZINC 1/2" |
| 4 | NC01-25-0247 | 4 | HEX. BOLT GR5 ZINC 1/2-13 X 1" LG |
| 5 | NC01-25-0249 | 3 | HEX. BOLT GR5 ZINC 1/2-13 X 1 1/2" LG |



| | |
|-------------------------|-----------------------------------|
| AGRIMETAL | |
| SNOW GUARD GROUP | |
| CREATION : 20/07/16 | ASSEMBLY : 83-57-0420 |
| REVISION : 19/10/18 | AUTHOR : J. HOULE Page 13 de 21 |

| # | PART # | Qty | TITLE |
|----|--------------|-----|---------------------------------------|
| 1 | NC14-75-0161 | 2 | FLANGE BEARING UCF 208-24 1 1/2" ID |
| 2 | 81-50-5030 | 1 | SPIRAL |
| 3 | NC02-32-0016 | 8 | LOCK WASHER ZINC 5/8" |
| 4 | NC02-07-0022 | 8 | HEX. NUT ZINC 5/8-11 |
| 5 | NC02-25-0013 | 8 | WASHER ZINC SAE ZINC 21/32 ID |
| 6 | NC01-17-0396 | 4 | HEX. BOLT GR2 ZINC 5/8-11 X 2" |
| 7 | NC01-17-0395 | 4 | HEX. BOLT GR2 ZINC 5/8-11 X 1 3/4" |
| 8 | NC14-55-0275 | 1 | SPROCKET 80A34 X 1 1/2" |
| 9 | NC01-29-0249 | 4 | HEX. BOLT GR2 NC ZINC 1/2-20 X 1 1/2" |
| 10 | NC01-94-0013 | 4 | HEX. LOCK NUT NF ZINC 1/2-20 |
| 11 | 81-51-0086 | 1 | SHAFT OF THE SPIRAL |
| 12 | 81-51-0091 | 1 | SHAFT OF THE SPIRAL (SPROCKET) |

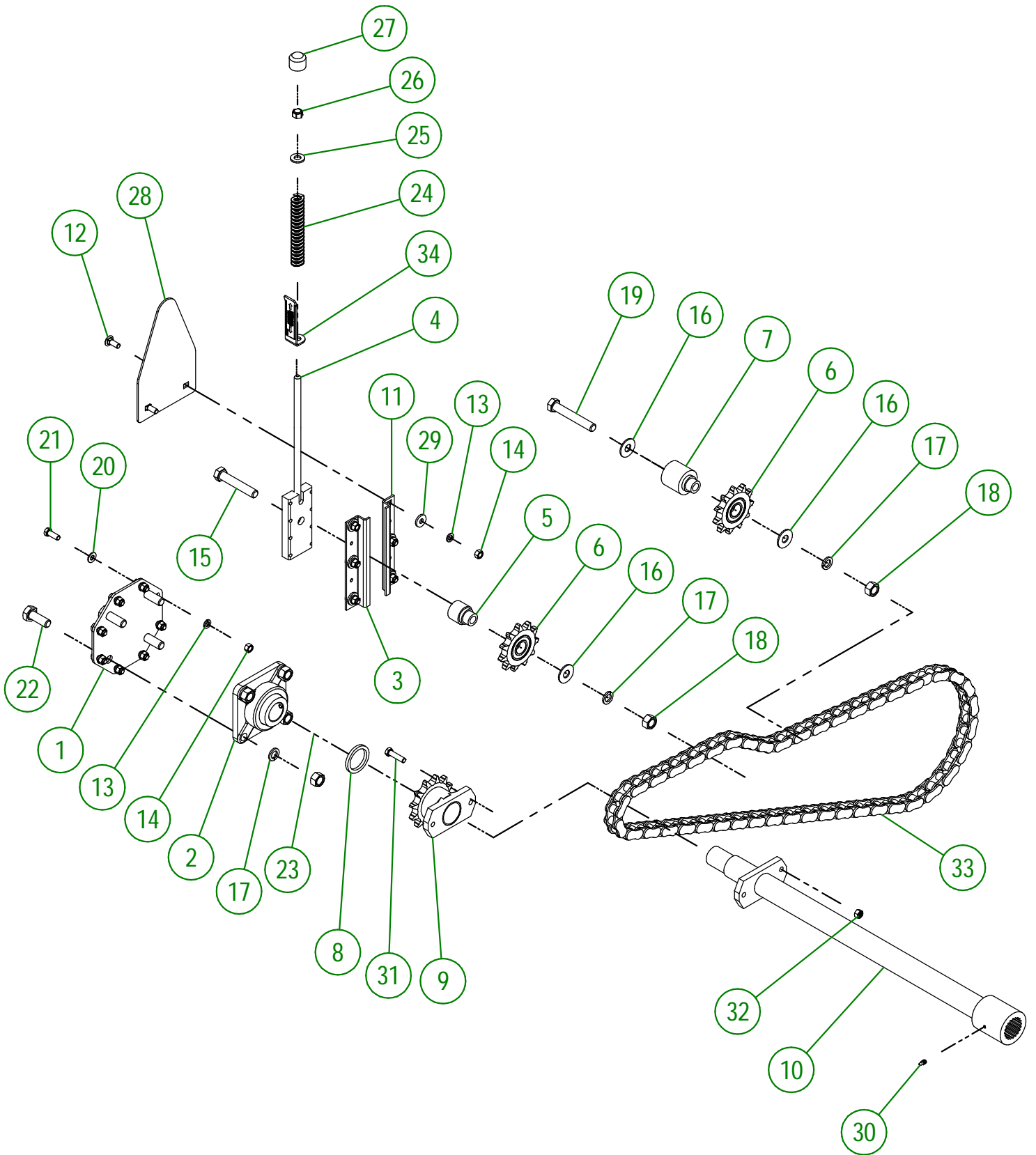
REBUILT KIT



AGRIMETAL
SPIRAL GROUP

CREATION : 06/04/18
REVISION : 05/07/23

ASSEMBLY : **81-57-5030**
AUTHOR : J.KABWE

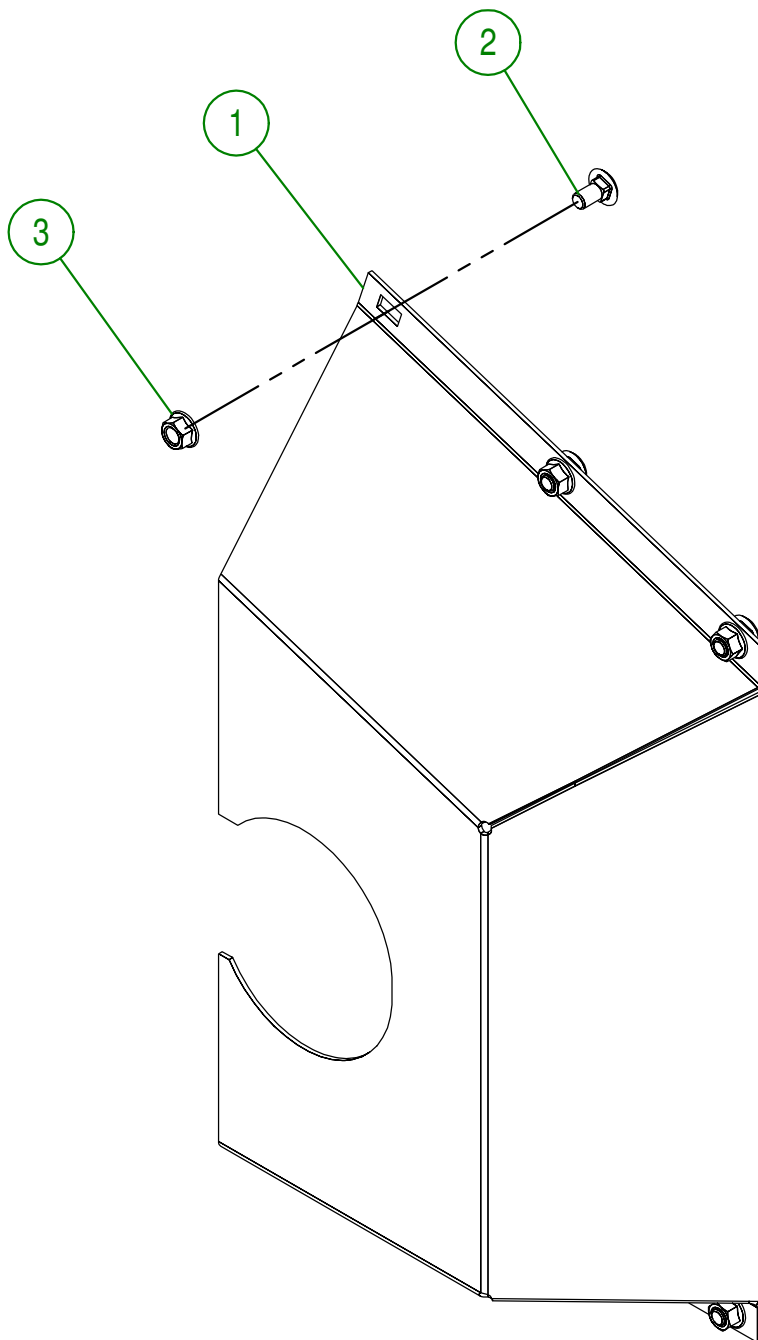


| | |
|---------------------------------|------------------------------|
| AGRIMETAL | |
| SPIRAL DRIVE TRAIN GROUP | |
| CREATION : 20/07/16 | ASSEMBLY : 83-57-0435 |
| REVISION : 21/02/22 | AUTHOR : J. HOULE |

83-57-0435

| # | PART # | Qty | TITLE |
|----|--------------|-----|--|
| 1 | 81-04-0010 | 1 | BEARING SUPPORT |
| 2 | NC14-75-0025 | 1 | FLANGE BEARING 4 HOLES UCF 208-24 X 1 1/2" |
| 3 | 81-01-0927 | 1 | SUPPORT FOR CHAIN TENSIONER |
| 4 | 81-50-0078 | 1 | SUPPORT FOR CHAIN TENSIONER |
| 5 | 81-21-0003 | 1 | CHAIN TENSIONER BUSHING |
| 6 | 81-55-0005 | 2 | CHAIN TENSIONER SPROCKET |
| 7 | 81-21-0002 | 1 | CHAIN TENSIONER BUSHING |
| 8 | 81-21-0010 | 1 | SPIRAL DRIVE TRAIN BUSHING |
| 9 | NC14-55-0276 | 1 | 80B12H SPROCKET |
| 10 | 83-50-0065 | 1 | SPIRAL DRIVE TRAIN |
| 11 | 81-01-0928 | 1 | SUPPORT FOR CHAIN TENSIONER |
| 12 | NC01-04-0109 | 6 | CARR. BOLT GR2 ZINC 3/8-16 X 1" |
| 13 | NC02-32-0012 | 14 | LOCK WASHER ZINC 3/8" |
| 14 | NC02-07-0018 | 14 | HEX. NUT ZINC 3/8-16 |
| 15 | NC01-29-0402 | 1 | HEX. BOLT GR5 ZINC 5/8-18 X 3 1/2" |
| 16 | NC02-22-0013 | 3 | WASHER ZINC 5/8 ID X 1 1/2 OD |
| 17 | NC02-32-0016 | 6 | LOCK WASHER ZINC 5/8" |
| 18 | NC02-10-0022 | 2 | HEX. NUT ZINC 5/8-18 |
| 19 | NC01-29-0404 | 1 | HEX. BOLT GR5 ZINC 5/8-18 X 4" |
| 20 | 01-01-2485 | 8 | FLAT WASHER 14 GA X 13/16"OD X 25/64" ID |
| 21 | NC01-17-0114 | 8 | HEX. BOLT GR2 ZINC 3/8-16 X 1" |
| 22 | NC01-17-0395 | 4 | HEX. BOLT GR2 ZINC 5/8-11 X 1 3/4" |
| 23 | NC02-07-0022 | 4 | HEX. NUT ZINC 5/8-11 |
| 24 | NC13-86-0054 | 1 | BLUE SPRING 1/2" ID X 1" OD X 6" LG |
| 25 | NC02-25-0011 | 1 | WASHER SAE ZINC 17/32 ID |
| 26 | NC01-96-0014 | 1 | NYLON-INSERT LOCKNUT ZINC 1/2-13 |
| 27 | 80-42-0110 | 1 | THREADED ROD CAP |
| 28 | 81-01-0965 | 1 | SPRING GUARD |
| 29 | 21-01-0950 | 6 | FLAT WASHER 10GA 1.005" DIA X 25/64" |
| 30 | NC01-69-0785 | 1 | STRAIGHT GREASE FITTING 1/4-28 |
| 31 | NC01-25-0116 | 1 | HEX. BOLT GR5 ZINC 3/8-16 X 1 1/2" |
| 32 | NC01-93-0011 | 1 | LOCK NUT 3/8-16 |
| 33 | 83-37-1000 | 1 | #80 HD CHAIN |
| 34 | 81-57-0160 | 1 | ADJUSTEMENT INDICATOR |

| # | PART # | Qty | TITLE |
|---|--------------|-----|-----------------------------------|
| 1 | 81-50-0070 | 1 | CHAIN GUARD |
| 2 | NC01-04-0107 | 6 | CARR. BOLT GR2 ZINC 3/8-16 X 3/4" |
| 3 | NC02-14-0019 | 6 | FLANGE NUT HEX. NC 3/8-16 GR. B |

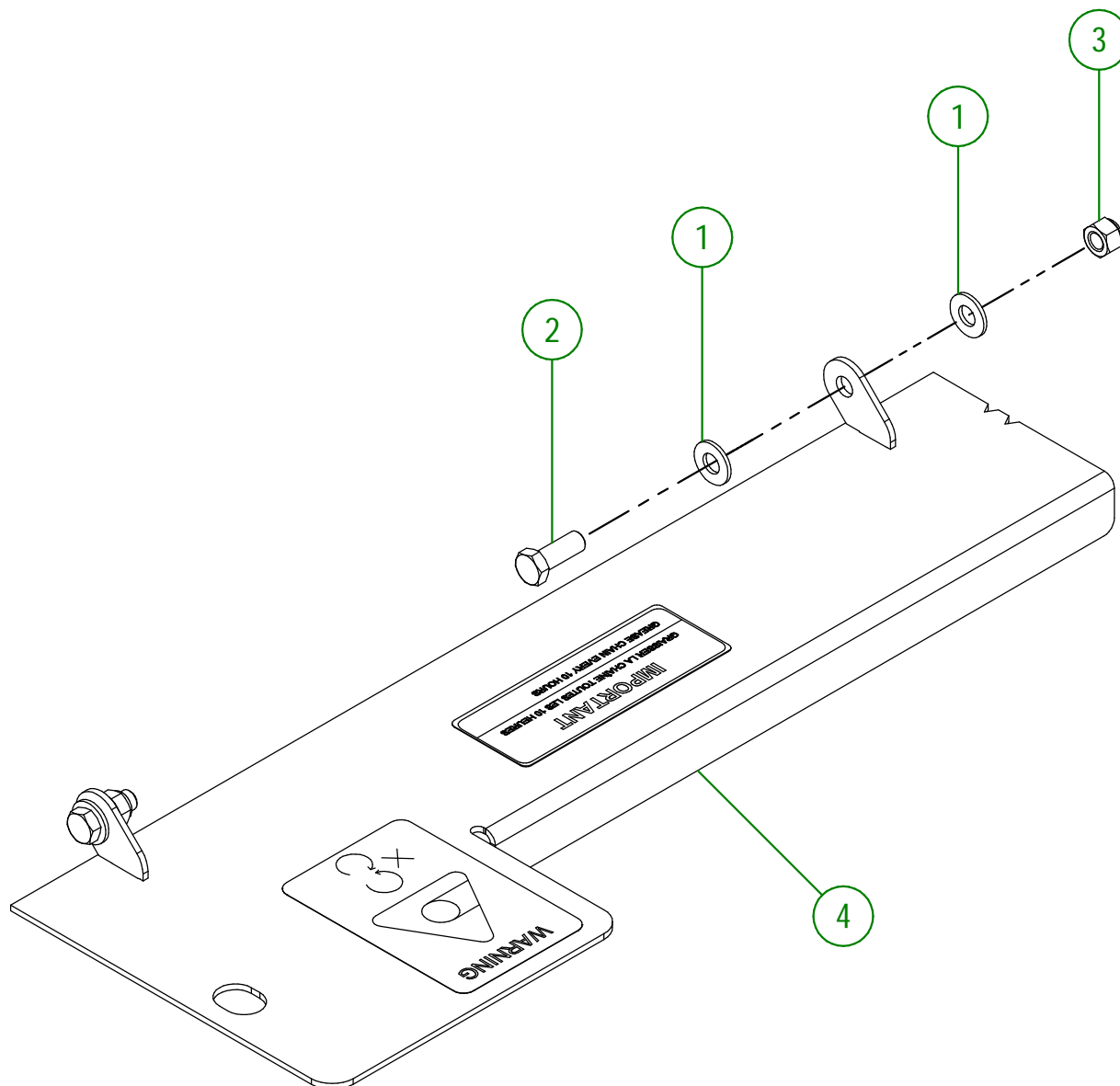
**AGRIMETAL**

SPIRAL CHAIN GUARD GROUP

CREATION : 19/07/16
REVISION : 18/10/18ASSEMBLY : **81-57-0405**

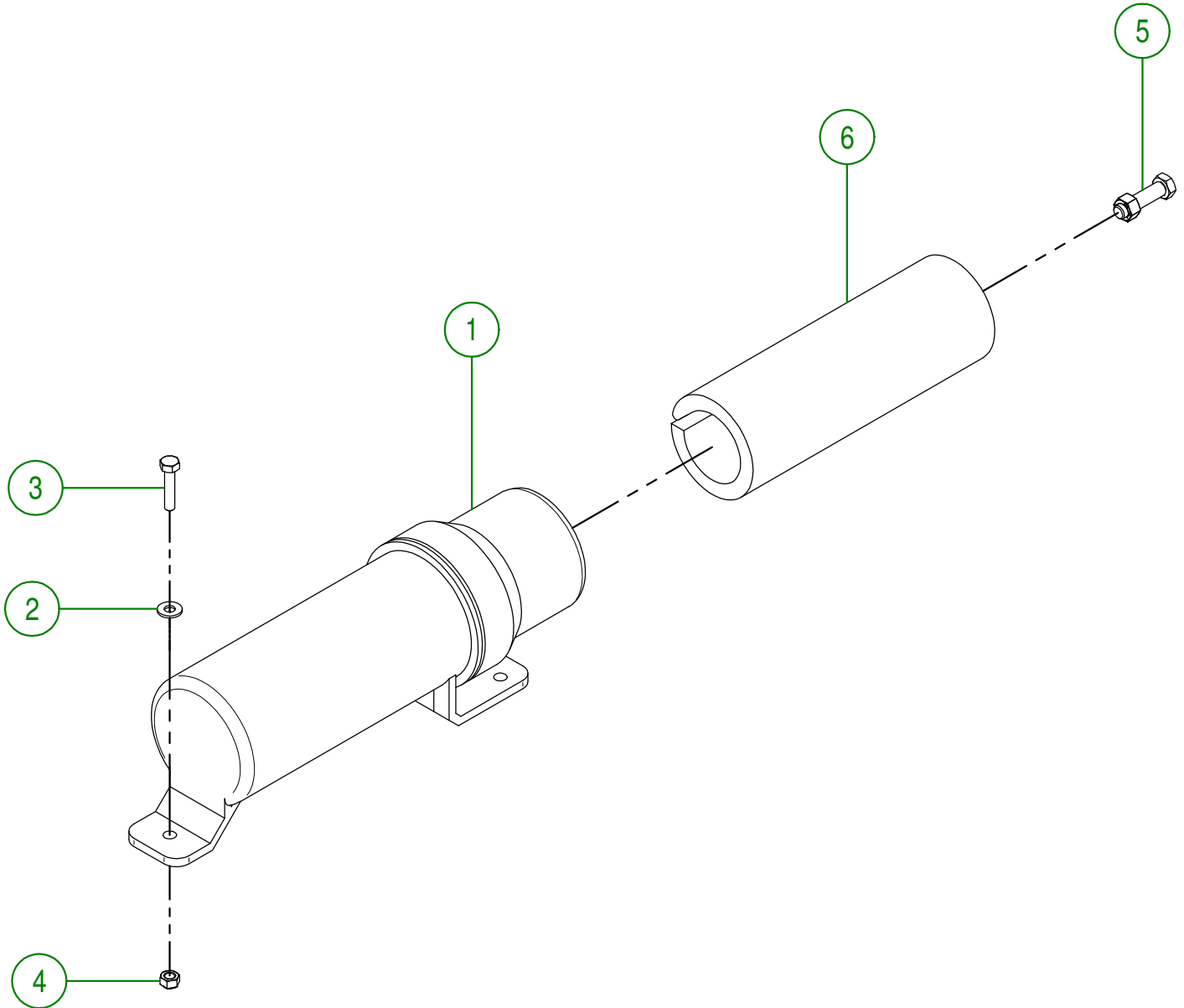
AUTHOR : J. HOULE Page 17 de 21

| # | PART # | Qty | TITLE |
|---|--------------|-----|-------------------------------------|
| 1 | NC02-26-1525 | 4 | WASHER INOX .406" D.I. X .815" D.E. |
| 2 | NC01-17-0114 | 2 | HEX. BOLT GR2 ZINC 3/8-16 X 1" |
| 3 | NC01-96-0011 | 2 | NYLON NUT 3/8-16 |
| 4 | 83-57-0035 | 1 | CHAIN GUARD |

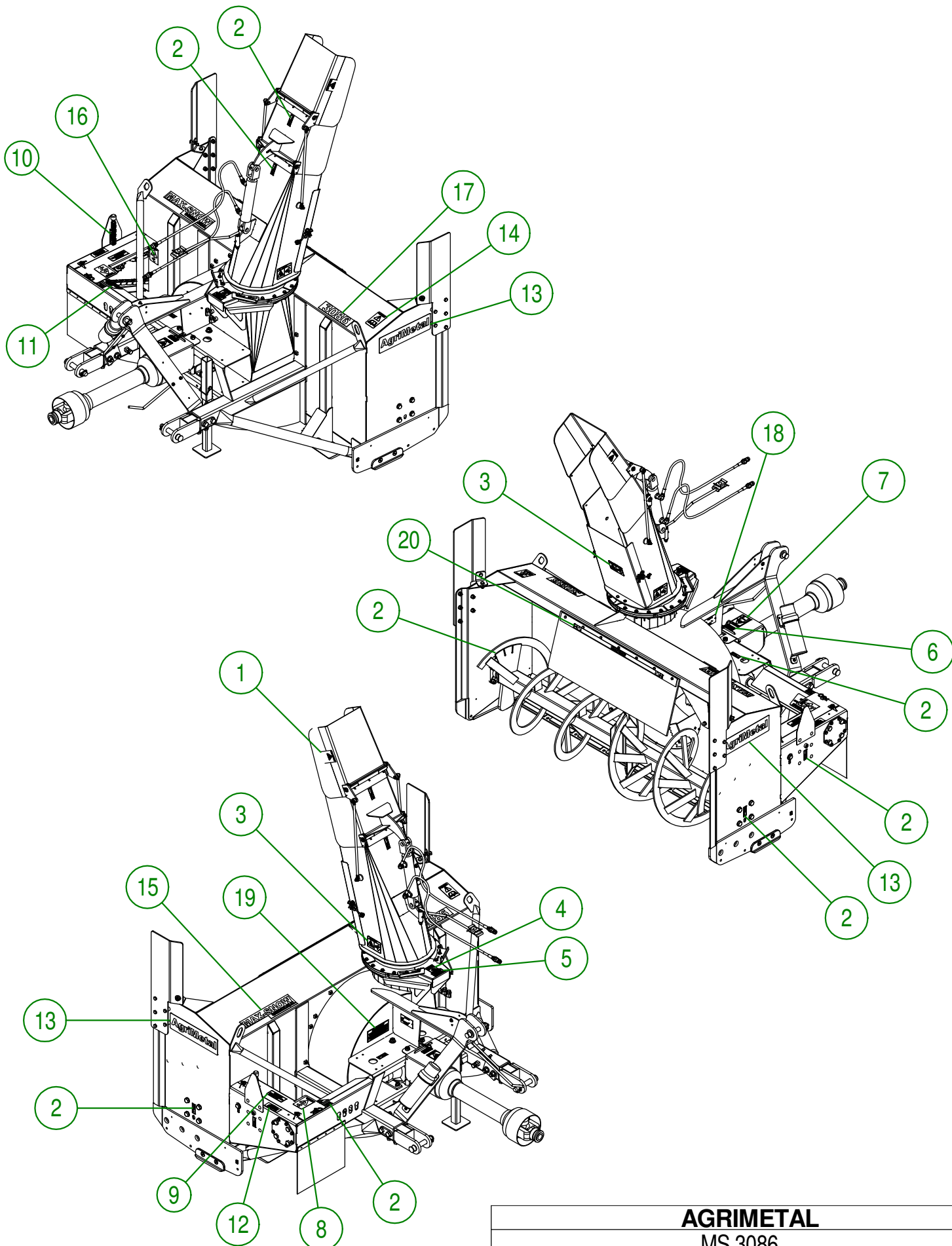


| | |
|--------------------------|------------------------------|
| AGRIMETAL | |
| CHAIN GUARD GROUP | |
| CREATION : 20/07/16 | ASSEMBLY : 83-57-0437 |
| REVISION : 22/12/25 | AUTHOR : J. HOULE |

| # | PART # | Qty | TITLE |
|---|--------------|-----|---------------------------------------|
| 1 | NCI3-30-0237 | 1 | PLASTIC TUBE FOR OPERATOR'S MANUAL |
| 2 | NC02-25-0007 | 2 | WASHER ZINC 0.281 = 9/32 |
| 3 | NC01-17-0007 | 2 | HEX. BOLT GR2 ZINC 1/4-20 X 1 1/4" |
| 4 | NC01-96-0009 | 2 | NYLON-INSERT LOCKNUT ZINC 1/4-20 |
| 5 | 81-57-0030 | 1 | SET OF 6 SHEAR BOLT WITH NUT |
| 6 | 81-98-0521 | 1 | ENGLISH OPERATOR'S MANUAL (MS28 & 30) |



| | |
|-------------------------------------|---------------------------------|
| AGRIMETAL | |
| OPERATOR'S MANUAL TUBE GROUP | |
| CREATION : 19/07/16 | ASSEMBLY : 81-57-0400 |
| REVISION : 08/05/18 | AUTHOR : J. HOULE Page 19 de 21 |



AGRIMETAL

MS 3086

CREATION : 20/07/16
 REVISION : 16/12/19

ASSEMBLY : **83-99-0000**

AUTHOR : J. HOULE Page 20 de 21

| # | PART # | Qty | TITLE |
|----|--------------|-----|--|
| 1 | NC13-33-0192 | 2 | STICKER (PROJECTION RISK) |
| 2 | NC13-33-0024 | 7 | STICKER GREASE HERE |
| 3 | NC13-33-0249 | 3 | STICKER DANGER |
| 4 | NC13-33-0326 | 1 | STICKER DANGER (HAND) |
| 5 | NC13-33-0327 | 1 | STICKER END ROTATION ADJUSTMENT |
| 6 | NC13-33-0005 | 1 | STICKER MAXIMUM 540 RPM |
| 7 | NC13-33-0187 | 1 | STICKER DANGER (PTO AND PERSON) |
| 8 | NC13-33-0283 | 1 | STICKER DANGER (PERSON AND CHAIN DRIVE) |
| 9 | NC13-33-0343 | 1 | GREASE CHAIN EVERY 10 HOURS STICKER |
| 10 | NC13-33-0344 | 1 | ADJUSTEMENT INDICATOR STICKER |
| 11 | NC13-33-0281 | 1 | STICKER SHEAR BOLT |
| 12 | NC13-33-0248 | 1 | STICKER IMPORTANT 4 1/4 INCHES 110mm |
| 13 | NC13-33-0001 | 2 | STICKER AGRIMETAL |
| 14 | NC13-33-0183 | 1 | STICKER CAUTION OPERATION MANUAL |
| 15 | NC13-33-0241 | 1 | STICKER MAX-SNOW COMMERCIAL |
| 16 | NC13-33-0189 | 1 | STICKER DANGER (PERSON AND CHAIN DRIVE) |
| 17 | NC13-33-0262 | 1 | STICKER 3086 |
| 18 | NC13-50-0086 | 1 | SERIAL NUMBER PLATE |
| 19 | NC13-33-0317 | 1 | STICKER GREASE DRIVE LINE TELESCOPIC SHAFT |
| 20 | NC13-33-0274 | 1 | STICKER DANGER |